



US00D935016S

(12) **United States Design Patent** (10) **Patent No.:** **US D935,016 S**
O'Malley et al. (45) **Date of Patent:** **** Nov. 2, 2021**

(54) **CATHETER GRIPPING AID**
(71) Applicant: **Hollister Incorporated**, Libertyville, IL (US)
(72) Inventors: **Shane O'Malley**, Ballina (IE); **Scott J. Pupino**, Oak Park, IL (US); **Patrick Boland**, Easkey (IE); **Jennifer Werfel**, Grayslake, IL (US)

D369,408 S 4/1996 Laun
D376,204 S 12/1996 Huculak et al.
5,792,114 A 8/1998 Fiore
D405,232 S 2/1999 Stevens et al.
5,871,475 A 2/1999 Frassica
D422,359 S 4/2000 Fitch et al.

(Continued)

FOREIGN PATENT DOCUMENTS

(73) Assignee: **Hollister Incorporated**, Libertyville, IL (US)

DE 19826746 C1 11/1999
EP 0972536 A1 1/2000

(Continued)

(**) Term: **15 Years**

OTHER PUBLICATIONS

(21) Appl. No.: **29/653,497**

Office Action dated May 13, 2020 in U.S. Appl. No. 29/633,637.

(Continued)

(22) Filed: **Jun. 15, 2018**

(51) **LOC (13) Cl.** **24-01**

Primary Examiner — Lilyana Bekic

(52) **U.S. Cl.**

Assistant Examiner — Mary Shannon Malley

USPC **D24/130**

(74) *Attorney, Agent, or Firm* — Cook Alex Ltd.

(58) **Field of Classification Search**

(57) **CLAIM**

USPC D24/112–114, 108, 133, 127–130, 186, D24/189, 190, 155, 131

The ornamental design for a catheter gripping aid, as shown and described.

CPC A61M 25/01; A61M 25/002; A61M 25/0113; A61M 25/0111; A61M 39/06; A61M 25/0043; A61M 25/0067; A61M 27/00; A61B 17/1325; A61B 17/135

DESCRIPTION

See application file for complete search history.

FIG. 1 is a perspective view of a catheter gripping aid, showing the new design.

(56) **References Cited**

U.S. PATENT DOCUMENTS

3,154,080 A 10/1964 Rowan et al.
3,421,509 A 1/1969 Fiore
4,051,849 A 10/1977 Poncy et al.
4,834,711 A 5/1989 Greenfield et al.
4,871,358 A 10/1989 Gold
D321,251 S 10/1991 Jepson et al.
5,242,428 A 9/1993 Palestrant
D347,473 S * 5/1994 Nitzsche D24/112
5,334,166 A 8/1994 Palestrant
5,368,575 A 11/1994 Chang

FIG. 2 is a top plan view thereof.

FIG. 3 is a bottom plan view thereof.

FIG. 4 is a right side elevational view thereof.

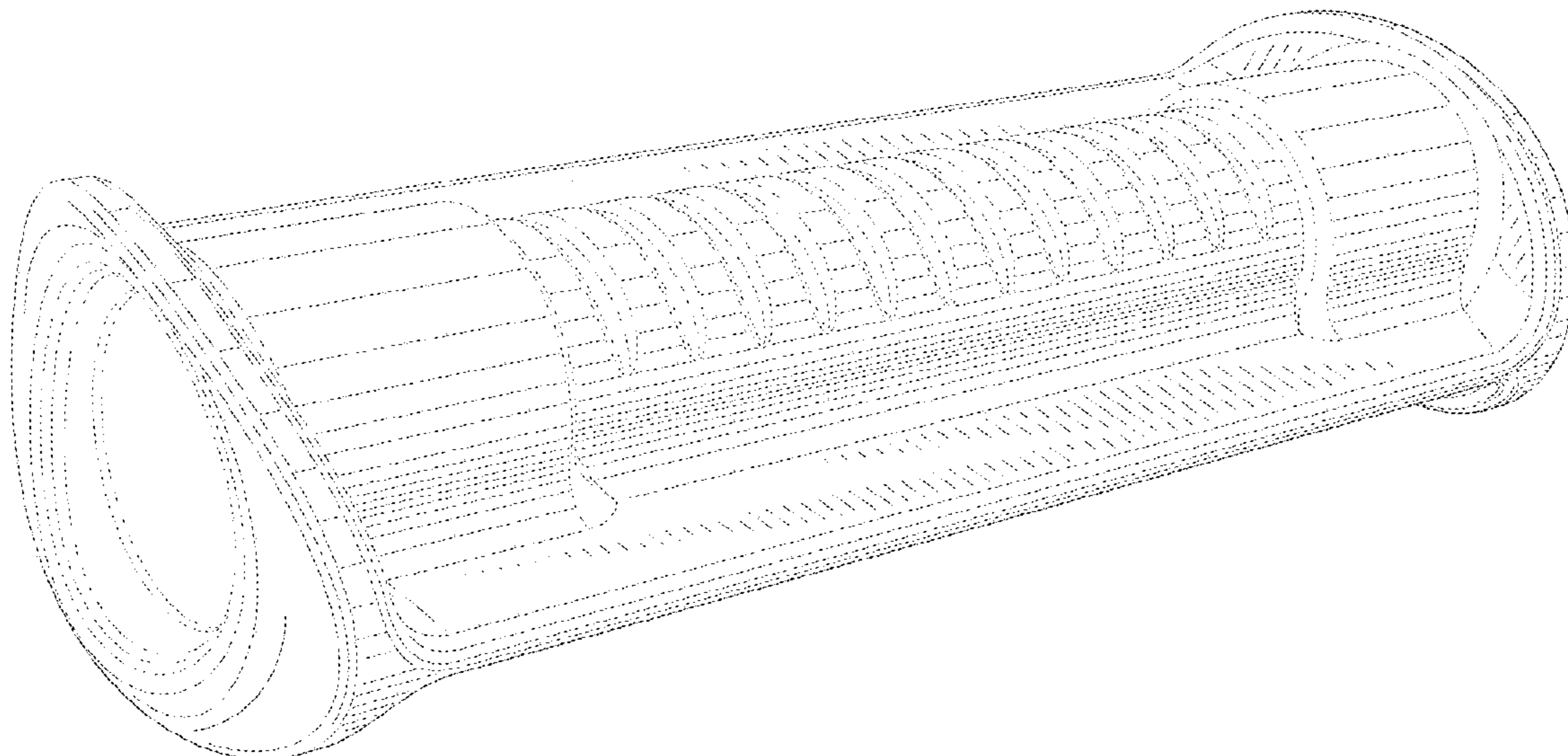
FIG. 5 is a left side elevational view thereof.

FIG. 6 is a rear elevational view thereof; and,

FIG. 7 is a front elevational view thereof.

The dot-dash lines depict the boundaries of the claimed design and form no part thereof. The dash-dash broken lines depict portions of the catheter gripping aid that form no part of the claimed design.

1 Claim, 3 Drawing Sheets



(56)

References Cited

U.S. PATENT DOCUMENTS

6,090,075 A 7/2000 House
 D429,526 S 8/2000 Sullivan et al.
 6,355,004 B1 3/2002 Pedersen et al.
 D457,955 S * 5/2002 Bilitz D24/133
 D458,679 S * 6/2002 Thompson D24/133
 6,402,726 B1 6/2002 Genese
 D465,024 S 10/2002 Henderson et al.
 6,578,709 B1 6/2003 Kavanagh et al.
 6,602,244 B2 8/2003 Kavanagh et al.
 6,613,014 B1 11/2003 Chi
 6,676,651 B2 1/2004 Haacke et al.
 7,094,220 B2 8/2006 Tanghoj et al.
 D531,308 S 10/2006 Bendek et al.
 D538,341 S 3/2007 Oas
 D546,946 S 7/2007 Blake et al.
 D553,738 S 10/2007 Simonson
 D555,241 S 11/2007 Nakanishi
 7,601,158 B2 10/2009 House
 7,632,256 B2 12/2009 Mosler et al.
 D612,044 S * 3/2010 Scheibe D24/130
 D616,089 S * 5/2010 Van der Stappen D24/113
 7,938,807 B2 5/2011 House
 7,963,908 B2 6/2011 Lindberg
 D648,851 S 11/2011 Copeland et al.
 8,181,778 B1 5/2012 van Groningen et al.
 8,328,792 B2 12/2012 Nishtala et al.
 D675,318 S 1/2013 Luk et al.
 D677,785 S 3/2013 Stones et al.
 8,512,313 B2 8/2013 Atkinson et al.
 8,523,823 B2 9/2013 Ostfeld et al.
 D724,201 S * 3/2015 Homsy D24/112
 D726,905 S 4/2015 Tegg et al.
 D739,005 S 9/2015 Matsumura
 D784,523 S * 4/2017 Kearns D24/127
 D813,383 S 3/2018 Kearns et al.
 D824,512 S * 7/2018 Laliberte D24/112
 D830,540 S * 10/2018 Rolfs D24/114
 D884,158 S * 5/2020 Discher D24/112
 2003/0018322 A1 1/2003 Tanghoj et al.
 2003/0060807 A1 3/2003 Tanghoj et al.
 2005/0096688 A1 5/2005 Slazas et al.
 2006/0184105 A1 8/2006 Townsend et al.
 2007/0088330 A1 4/2007 House
 2008/0015527 A1 1/2008 House
 2008/0051630 A1 2/2008 Levey et al.
 2008/0171973 A1 7/2008 House
 2009/0043287 A1 2/2009 Mosler et al.
 2009/0099532 A1 4/2009 Cuevas et al.

2010/0030197 A1 2/2010 House
 2010/0087847 A1 4/2010 Hong
 2010/0258568 A1 10/2010 Frederiksen et al.
 2010/0286664 A1 11/2010 Haslinger
 2011/0060317 A1 3/2011 Frojd
 2012/0168324 A1 7/2012 Carleo
 2012/0239005 A1 9/2012 Conway et al.
 2013/0144271 A1 6/2013 Passadore et al.
 2013/0231641 A1 9/2013 Gustavsson
 2014/0066904 A1 3/2014 Young
 2014/0066905 A1 3/2014 Young
 2014/0088516 A1 3/2014 Stevenson
 2014/0257250 A1 11/2014 Palmer
 2015/0231365 A1 8/2015 Stenzel et al.
 2015/0258307 A1 9/2015 Osypka et al.
 2015/0270634 A1 9/2015 Buesseler et al.
 2015/0335861 A1 11/2015 Osypka et al.
 2018/0280659 A1* 10/2018 Kearns A61M 25/0111

FOREIGN PATENT DOCUMENTS

EP 1485158 B1 1/2008
 EP 2016821 A1 1/2009
 EP 2105158 A2 9/2009
 EP 2106821 A1 10/2009
 EP 2471569 A1 7/2012
 EP 2636421 A1 9/2013
 GB 322426 12/1929
 SE 518002 C2 8/2002
 WO WO 00/30575 A1 6/2000
 WO WO 01/74417 A2 10/2001
 WO WO 03/002178 A2 1/2003
 WO WO 03/008029 A2 1/2003
 WO WO 2006/121508 A2 11/2006
 WO WO 2007/106431 A2 9/2007
 WO WO 2010/129362 A1 11/2010
 WO WO 2011/011023 A1 1/2011
 WO WO 2011/019359 A1 2/2011
 WO WO 2012/176189 A1 12/2012

OTHER PUBLICATIONS

Office Action dated Nov. 12, 2019 in U.S. Appl. No. 29/633,637.
 Office Action dated Aug. 1, 2019 in U.S. Appl. No. 29/633,637.
 U.S. Appl. No. 29/633,637, Title: Catheter Gripping Aid, filed Jan. 15, 2018, Applicant(s): Pupino et al.
 U.S. Appl. No. 29/750,487, Title: Catheter Gripping Aid, filed Sep. 14, 2020, Applicant(s): Pupino et al.

* cited by examiner

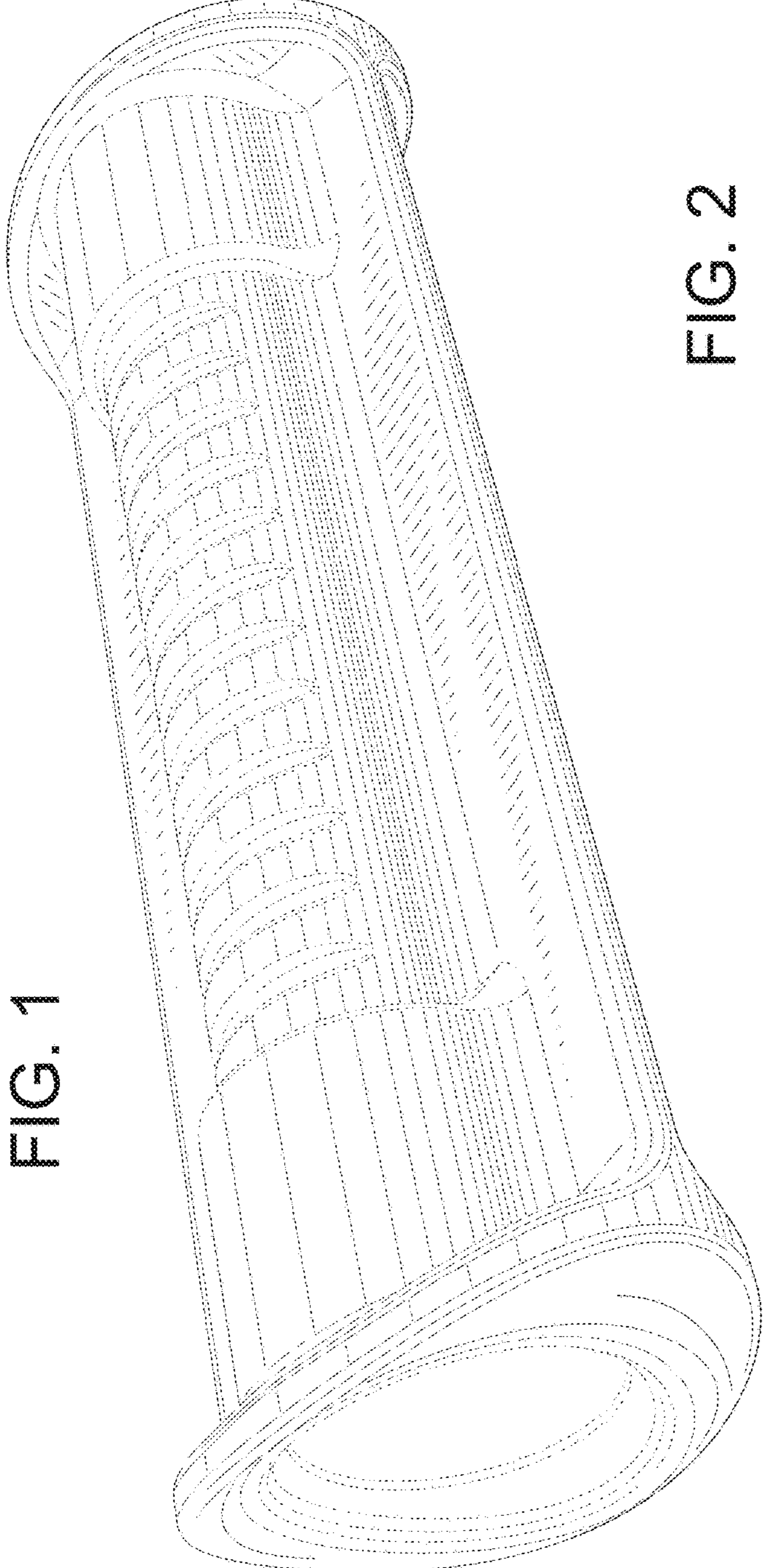


FIG. 1

FIG. 2

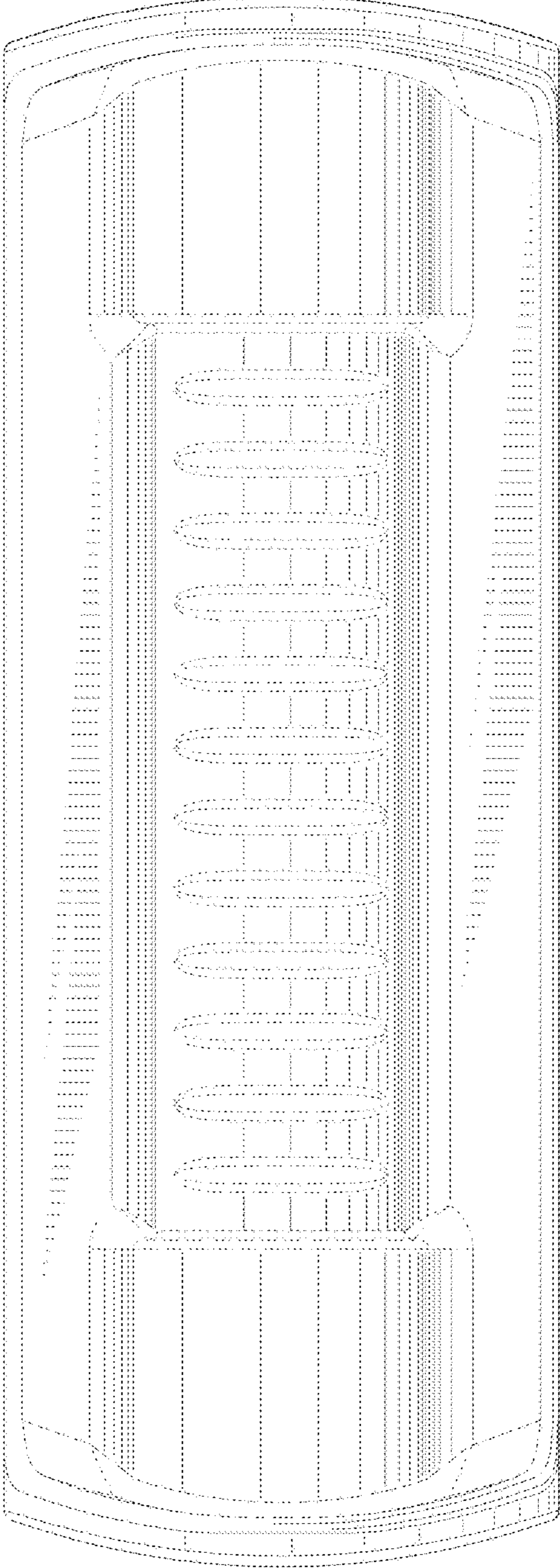


FIG. 3

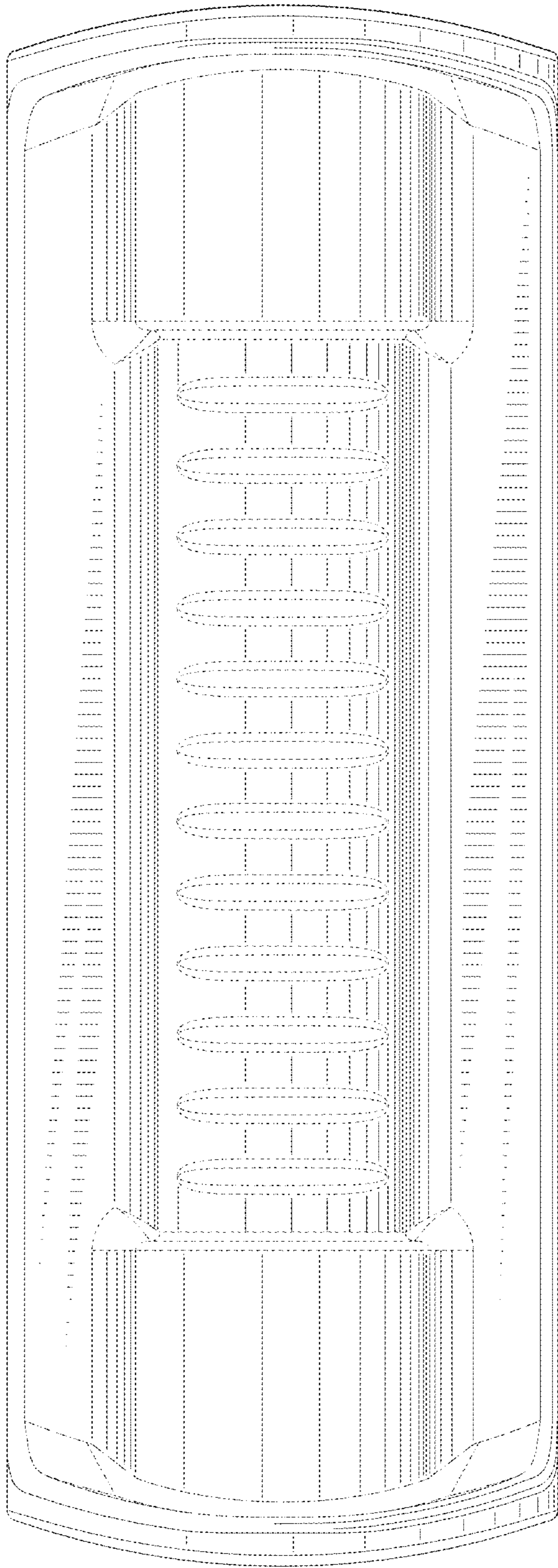


FIG. 4

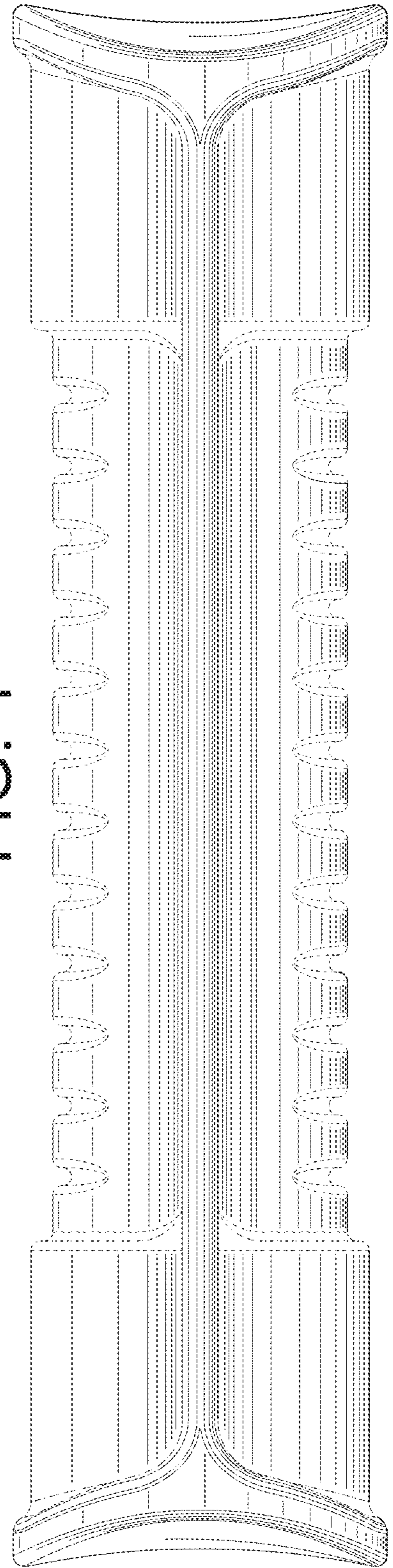


FIG. 5

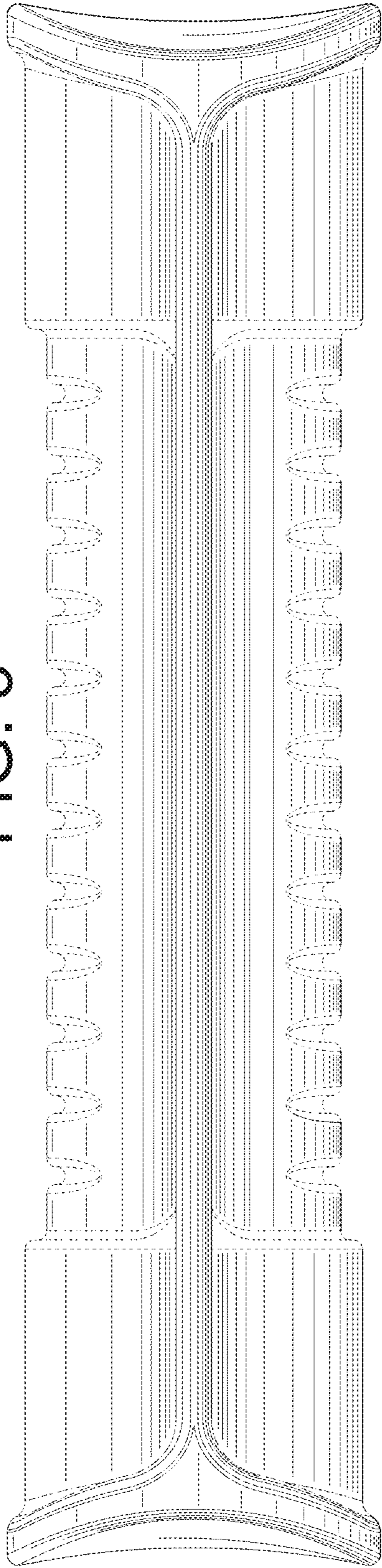


FIG. 6

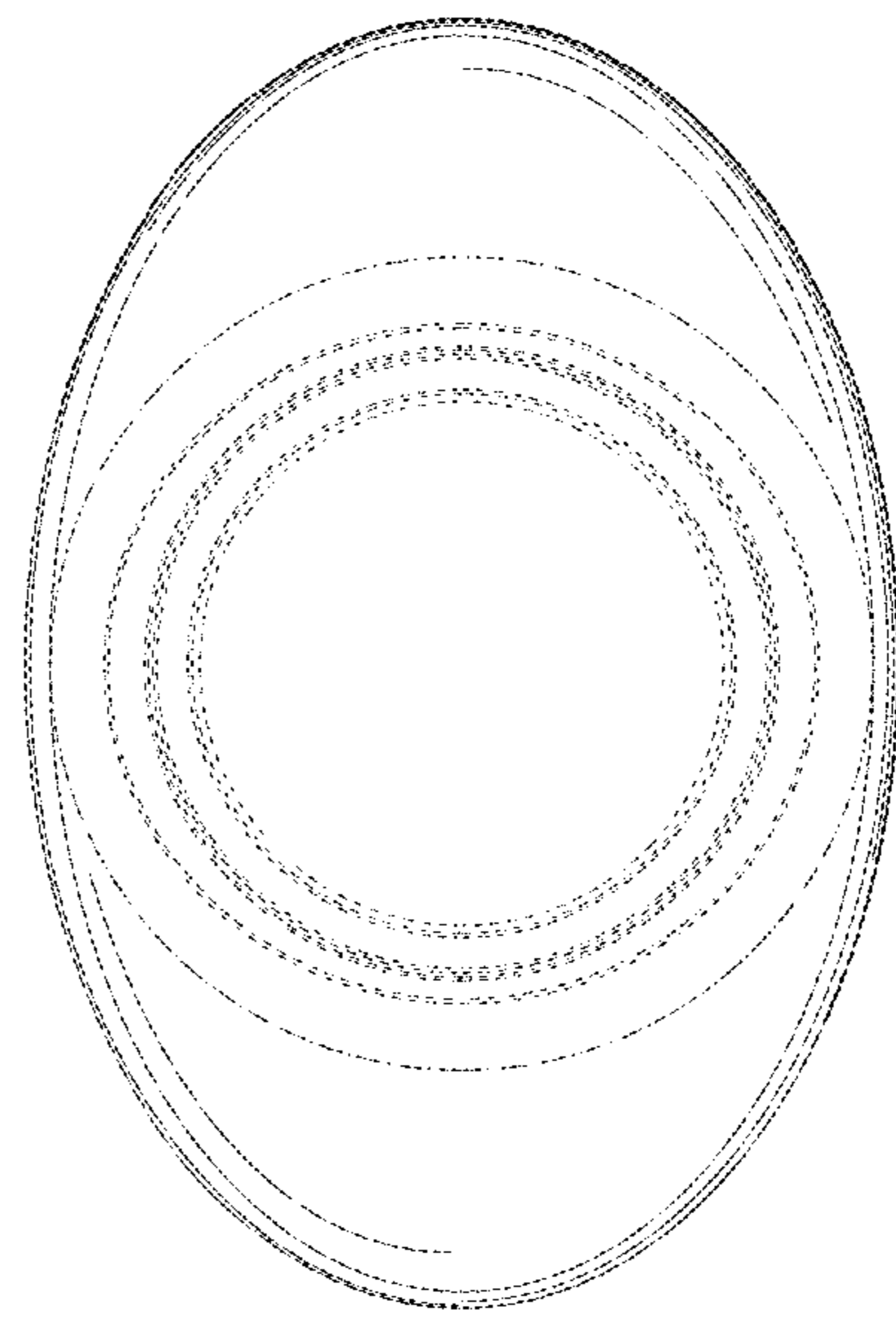


FIG. 7

