



US00D935015S

(12) **United States Design Patent** (10) **Patent No.:** **US D935,015 S**
Letton (45) **Date of Patent:** **** Nov. 2, 2021**

(54) **HUMIDIFICATION CHAMBER SEAL**
(71) Applicant: **Fisher & Paykel Healthcare Limited,**
Auckland (NZ)
(72) Inventor: **Andrew Martin Letton,** Auckland
(NZ)
(73) Assignee: **FISHER & PAYKEL HEALTHCARE**
LIMITED, Auckland (NZ)

D461,447 S * 8/2002 Nawrozki D13/107
D485,906 S 1/2004 Danssaert et al.
7,617,823 B2 11/2009 DiMatteo et al.
7,722,016 B2 5/2010 Bradley et al.
7,975,688 B1 7/2011 Truitt
D643,114 S 8/2011 Virr et al.
D644,320 S 8/2011 Virr et al.
8,092,414 B2 1/2012 Schnelll et al.
D682,689 S * 5/2013 Kalberer D9/438
D694,882 S 12/2013 Stark
D699,843 S 2/2014 Stark
(Continued)

(**) Term: **15 Years**
(21) Appl. No.: **29/766,872**
(22) Filed: **Jan. 19, 2021**

Primary Examiner — David G Muller
(74) *Attorney, Agent, or Firm* — Knobbe, Martens, Olson
& Bear, LLP

Related U.S. Application Data

(63) Continuation of application No. 29/732,003, filed on
Apr. 20, 2020, now Pat. No. Des. 910,839, which is
a continuation of application No. 29/670,348, filed on
Nov. 15, 2018, now Pat. No. Des. 884,882, which is
a continuation of application No. 29/624,513, filed on
Nov. 1, 2017, now Pat. No. Des. 838,364.
(51) **LOC (13) Cl.** **24-02**
(52) **U.S. Cl.**
USPC **D24/127**
(58) **Field of Classification Search**
USPC D24/127–131, 110, 110.5, 186;
128/200.24, 207.14, 207.15, 203.12
CPC . A61M 16/16; A61M 16/0066; A61M 16/109
See application file for complete search history.

(57) **CLAIM**

The ornamental design for a humidification chamber seal, as
shown and described.

DESCRIPTION

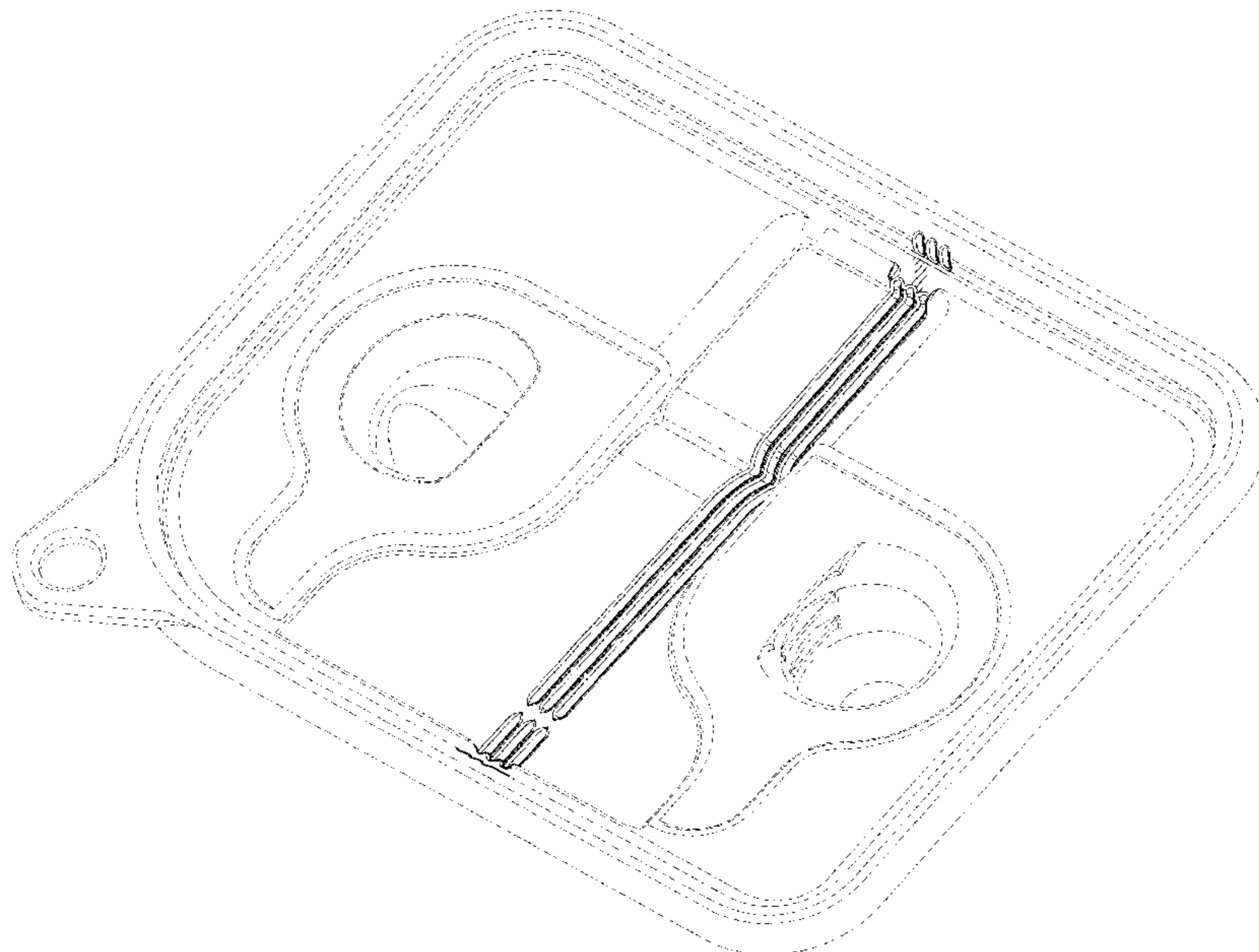
FIG. 1 shows a bottom, front, and side perspective view of
a humidification chamber seal embodying our design, with
portions shown in dashed lines and not forming part of the
claimed design;
FIG. 2 shows a top, front, and side perspective view thereof;
FIG. 3 shows a bottom view thereof;
FIG. 4 shows a top view thereof;
FIG. 5 shows a front view thereof;
FIG. 6 shows a rear view thereof;
FIG. 7 shows a side view thereof;
FIG. 8 shows another side view thereof;
FIG. 9 is a cross-sectional view thereof taken along the 9-9
line of FIG. 3; and,
FIG. 10 is a cross-sectional view thereof taken along the
10-10 line of FIG. 3.
Broken lines are used to illustrate portions of the humidifi-
cation chamber seal that form no part of the claimed design.

(56) **References Cited**

U.S. PATENT DOCUMENTS

4,369,777 A 1/1983 Lwoff et al.
5,165,563 A * 11/1992 McKendry B65D 41/04
206/366

1 Claim, 7 Drawing Sheets



(56)

References Cited

U.S. PATENT DOCUMENTS

D794,783	S	8/2017	Waimberk et al.	
D804,664	S	12/2017	Waimberk et al.	
10,004,871	B2	6/2018	Kat	
10,070,935	B2 *	9/2018	Waimberk	A61B 50/362
D838,364	S *	1/2019	Letton	D24/127
D910,839	S *	2/2021	Letton	D24/127
2006/0037484	A1 *	2/2006	Dixon	A47J 47/01 99/426
2007/0169776	A1 *	7/2007	Kepler	A61M 16/109 128/200.23
2010/0032441	A1 *	2/2010	Stark	A61B 50/362 220/780
2010/0154796	A1 *	6/2010	Smith	A61M 16/109 128/203.26
2011/0155132	A1 *	6/2011	Virr	A61M 16/0816 128/203.26
2011/0259152	A1 *	10/2011	Kovacs	B67B 7/14 81/3.36
2013/0313180	A1 *	11/2013	Bird	C02F 1/40 210/238

* cited by examiner

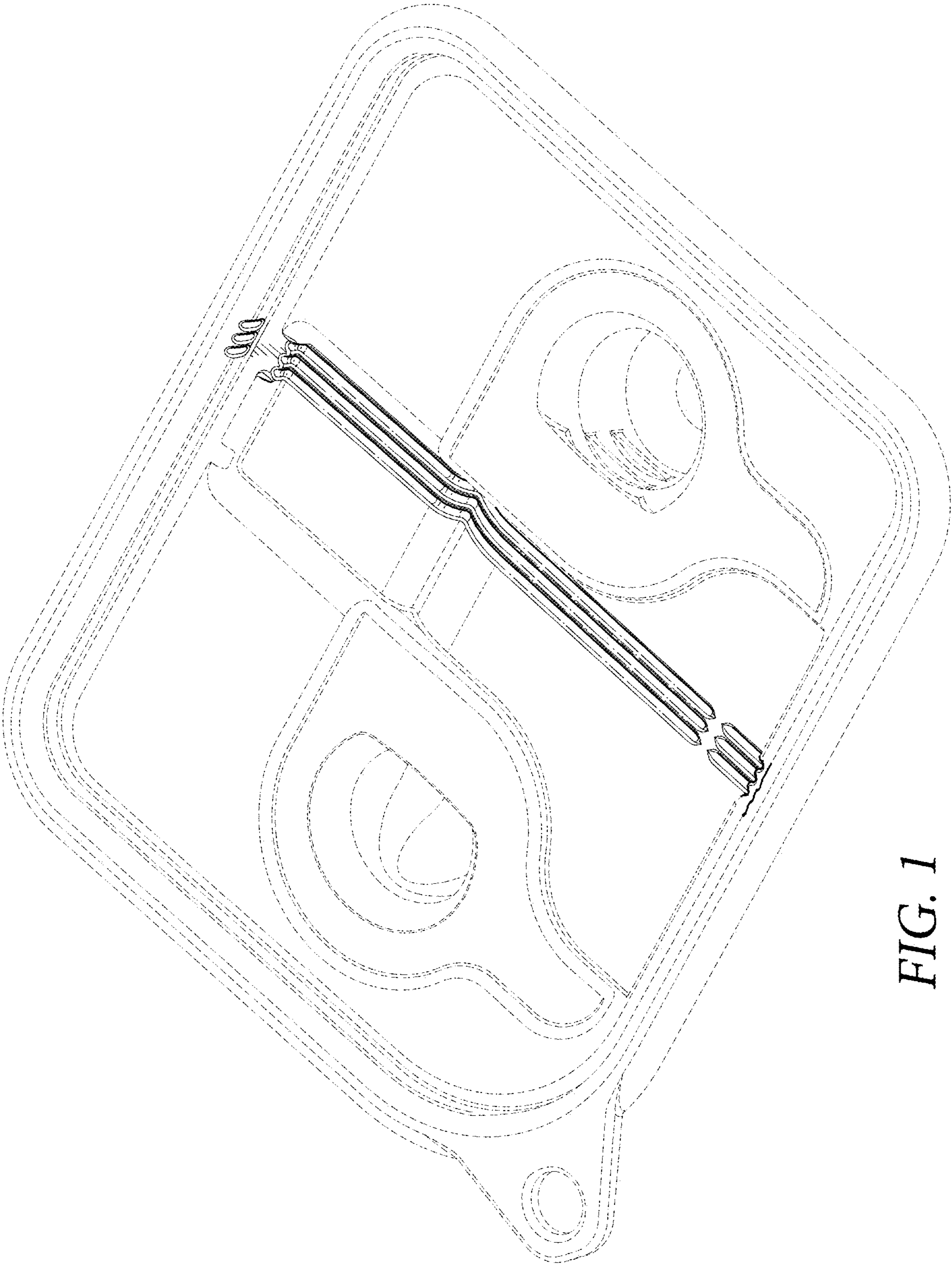


FIG. 1

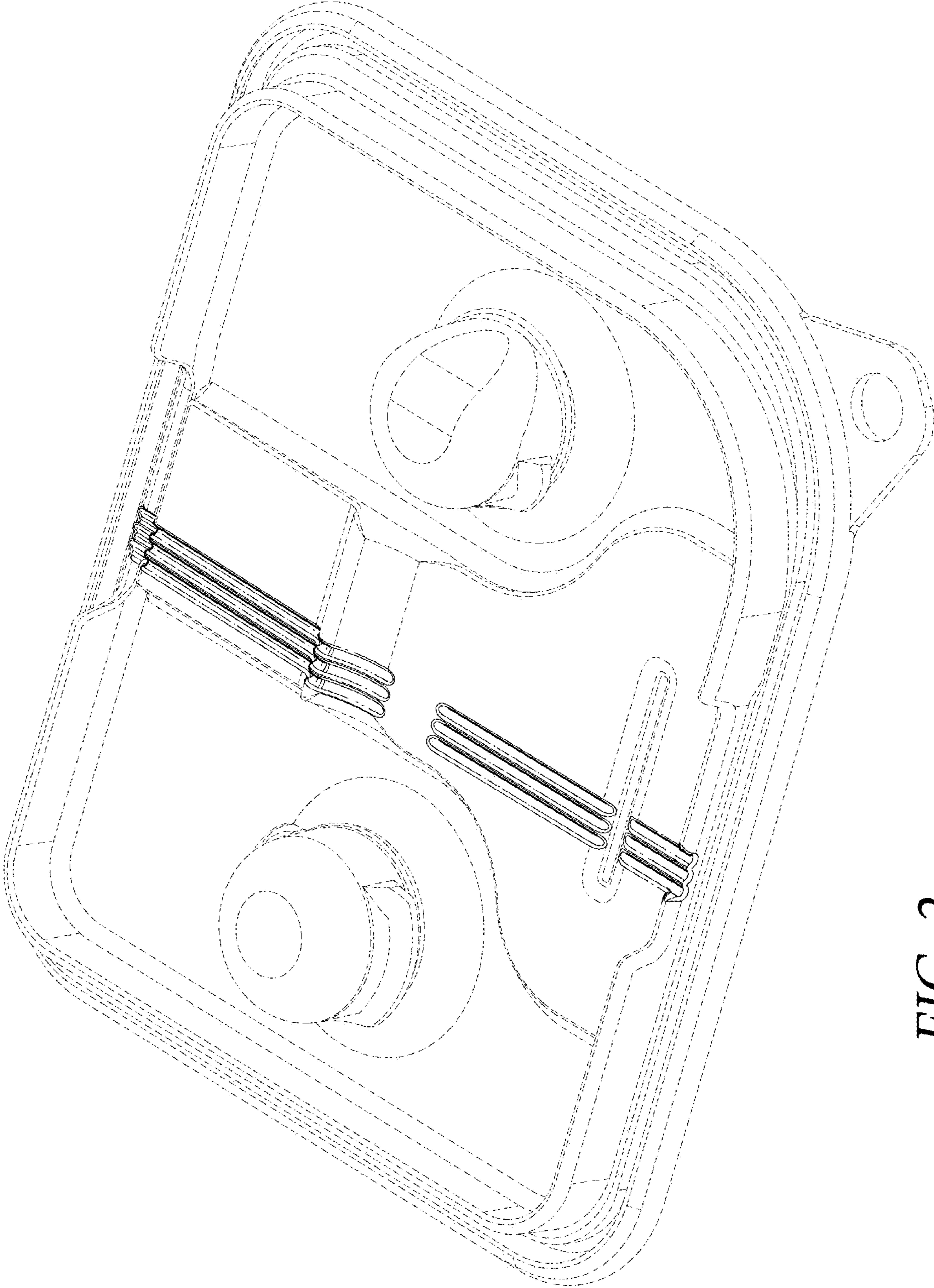


FIG. 2

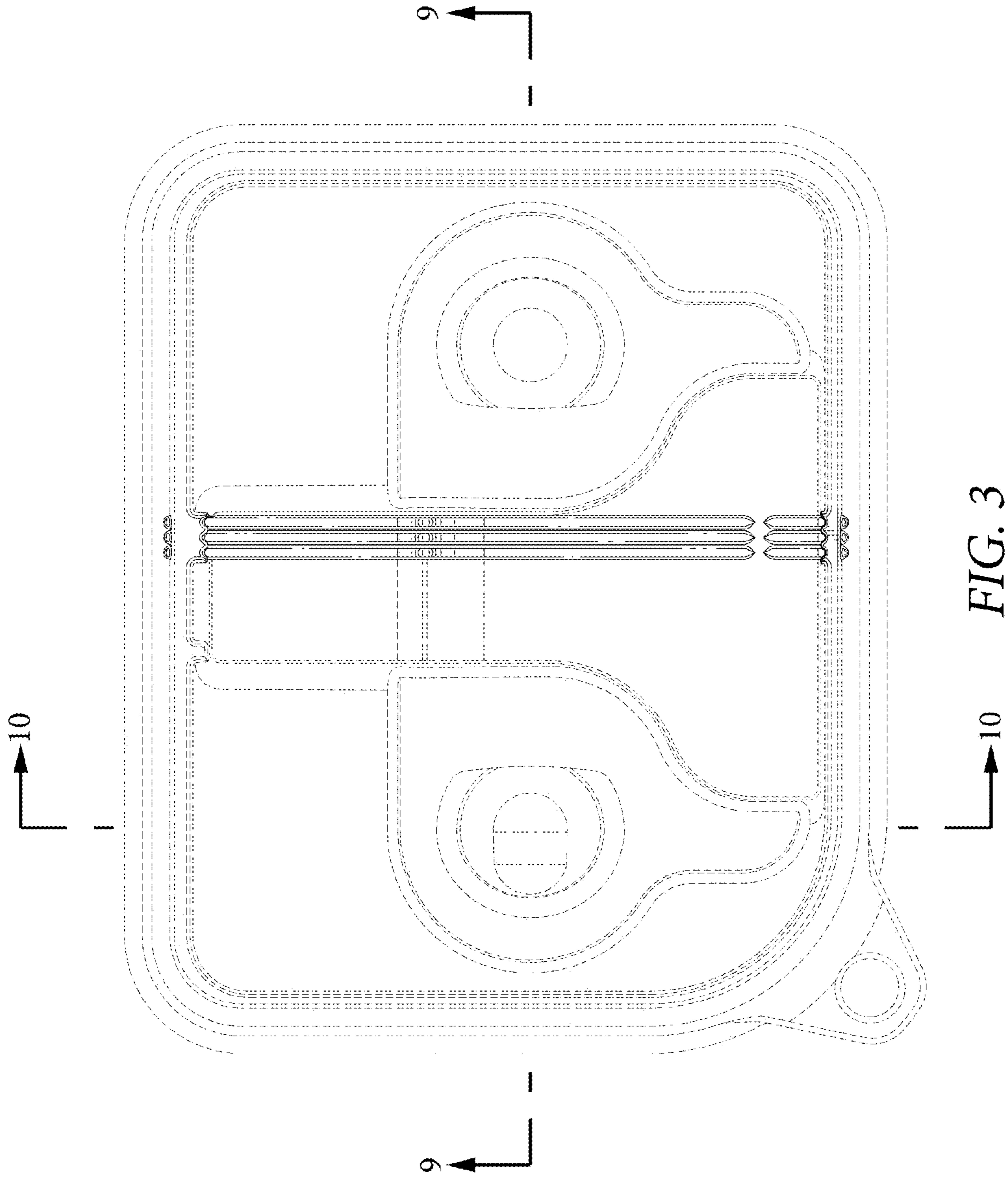


FIG. 3

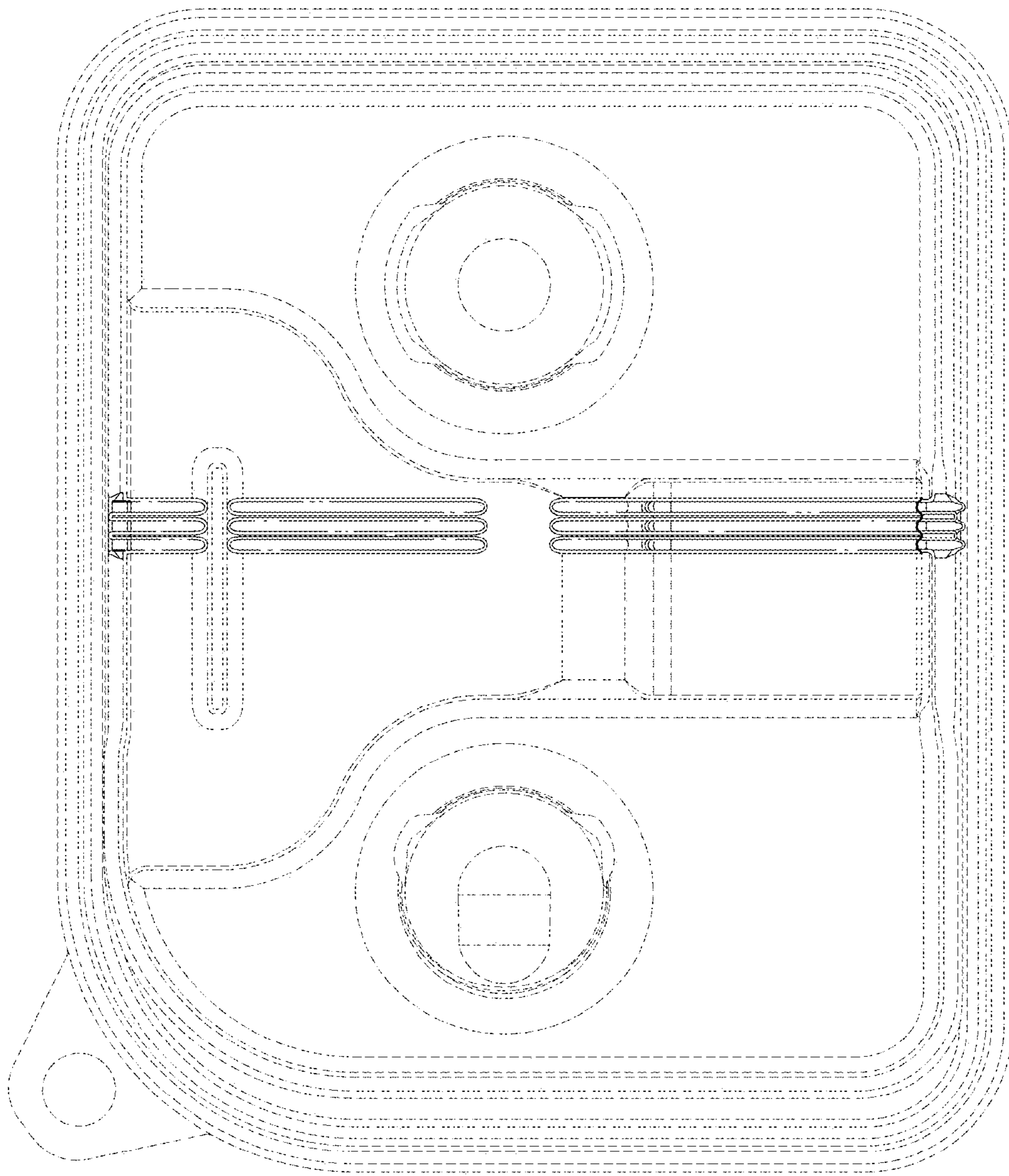


FIG. 4

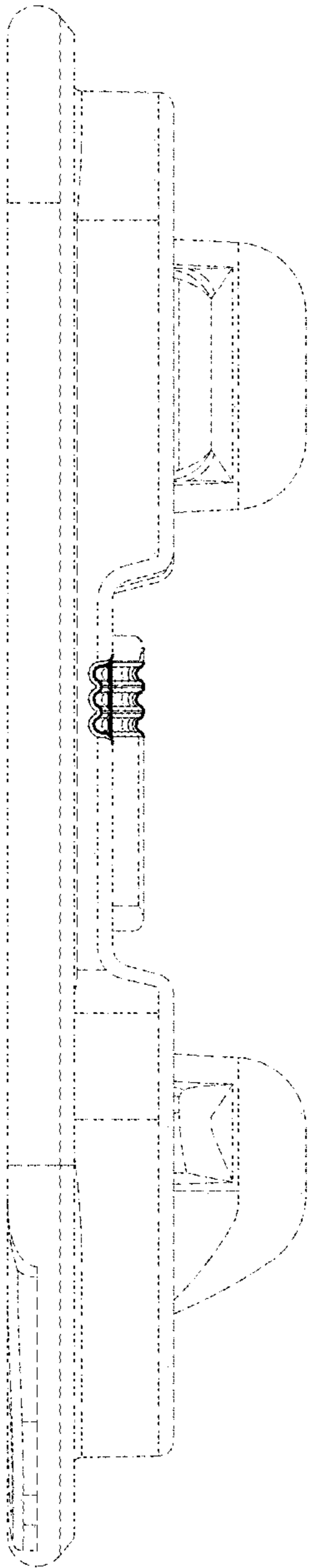


FIG. 5

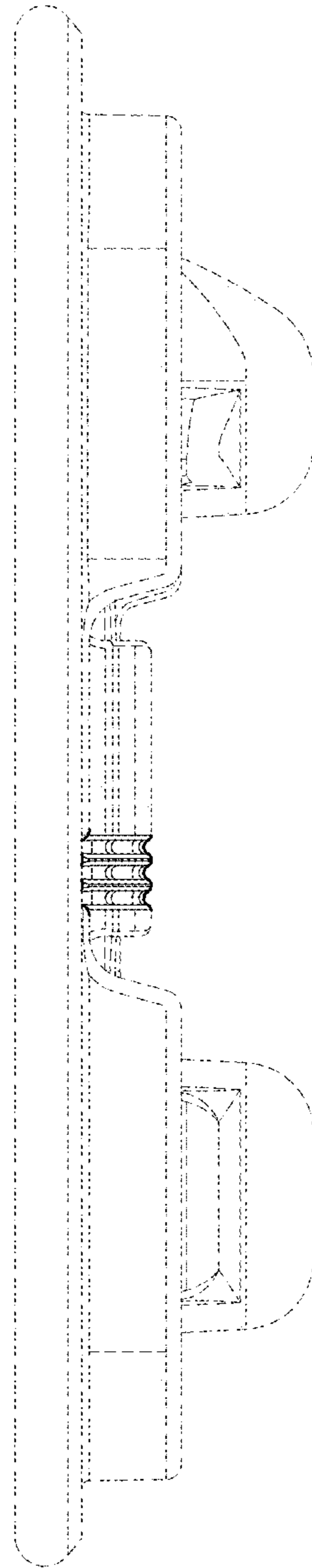


FIG. 6

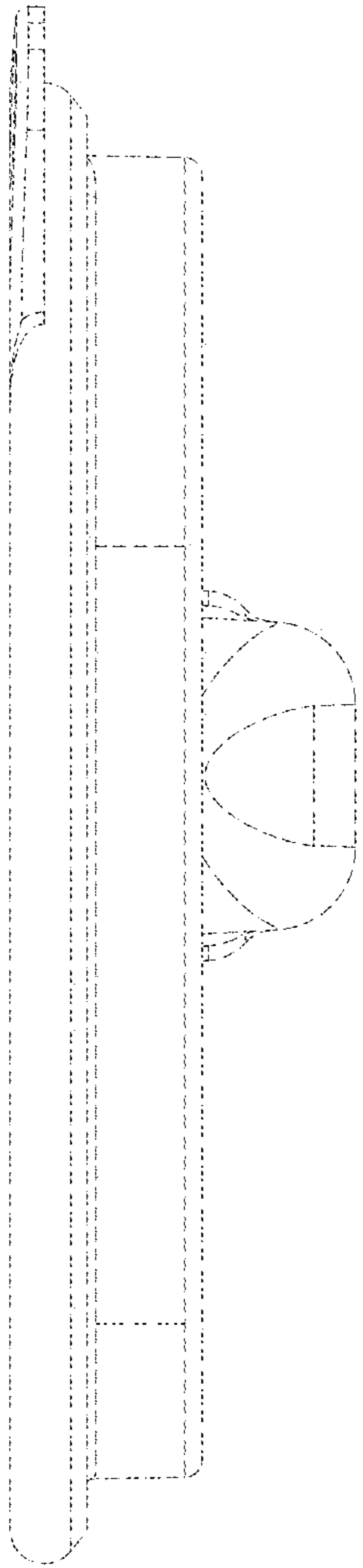


FIG. 7

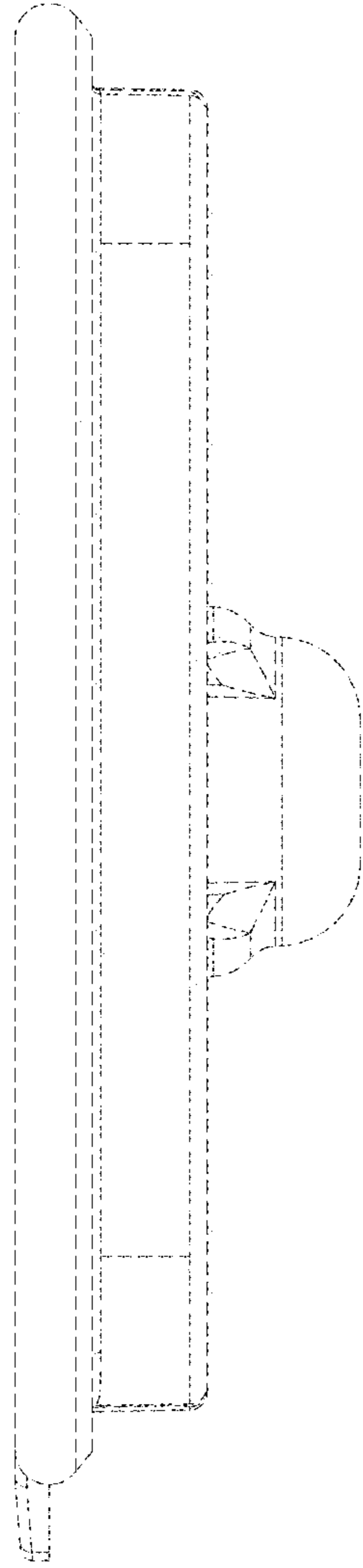


FIG. 8

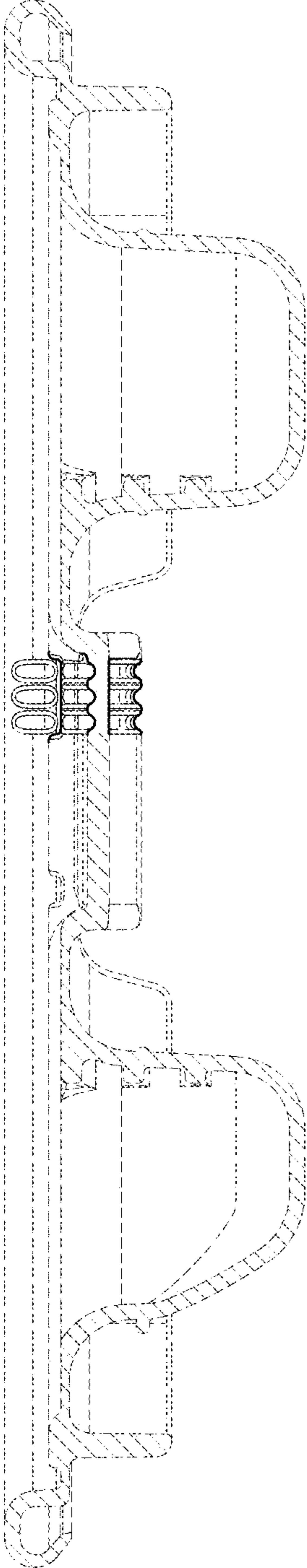


FIG. 9

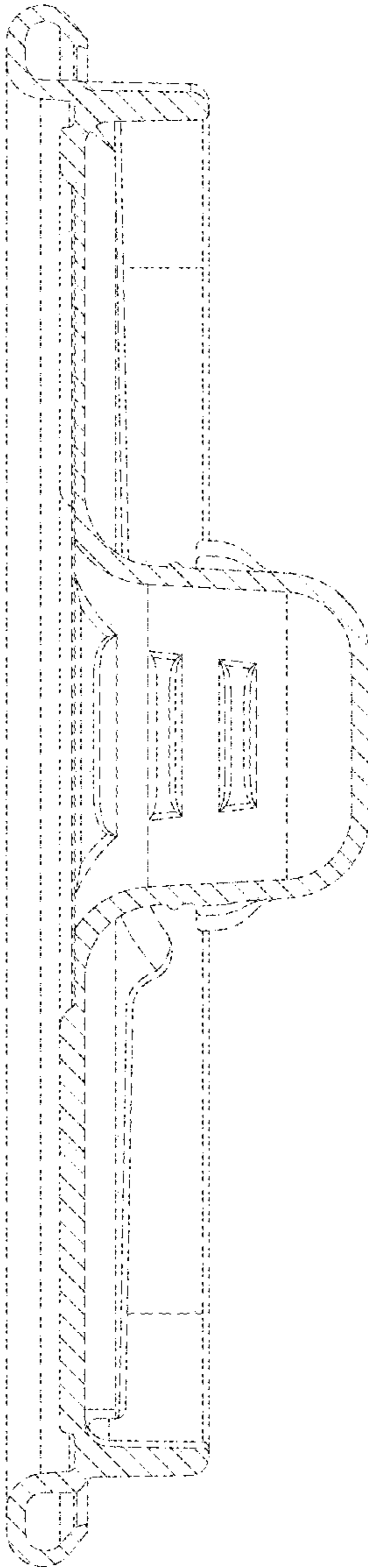


FIG. 10