



US00D935011S

(12) **United States Design Patent** (10) **Patent No.:** **US D935,011 S**
Adam et al. (45) **Date of Patent:** **** Nov. 2, 2021**

(54) **NASAL SPRAY DEVICE**
(71) Applicant: **APTAR FRANCE SAS, Le Neubourg (FR)**
(72) Inventors: **Fabien Adam, Saint Germain en Laye (FR); Cyril Meziere, Villeurbanne (FR)**
(73) Assignee: **APTAR FRANCE SAS, Le Neubourg (FR)**
(**) Term: **15 Years**
(21) Appl. No.: **29/729,066**
(22) Filed: **Mar. 24, 2020**
(30) **Foreign Application Priority Data**

D482,119 S * 11/2003 Pasternak D24/110
D509,148 S * 9/2005 Wilson D9/521
D527,815 S * 9/2006 Nishibayashi D24/110
D527,816 S * 9/2006 Nishibayashi D24/110
D544,956 S * 6/2007 Collins D24/110
D546,442 S * 7/2007 Collins D24/115
D546,939 S * 7/2007 Collins D24/110
D546,940 S * 7/2007 Collins D24/110
D552,230 S * 10/2007 Collins D24/110
D552,231 S * 10/2007 Collins D24/110
D554,512 S * 11/2007 Nukuto D9/529
D608,647 S * 1/2010 Toh D9/529
D616,981 S * 6/2010 Busca D24/115
D624,641 S * 9/2010 Boclet D24/110
D627,232 S * 11/2010 Toh D9/529
8,062,264 B2 * 11/2011 Godfrey B05B 11/0032
604/181
9,050,433 B2 * 6/2015 Lambie B05B 11/3057
D840,821 S * 2/2019 Kokubo D9/529
D881,716 S * 4/2020 Tempfli D9/724
D895,789 S * 9/2020 Clough D24/110

Sep. 25, 2019 (EM) 006928149-0001
(51) **LOC (13) Cl.** **24-02**
(52) **U.S. Cl.**
USPC **D24/110; D24/115; D9/724; D9/529**
(58) **Field of Classification Search**
USPC **D24/108, 110-115, 117, 121; D9/724, D9/529**
CPC **A61M 2210/0618; A61M 1/008; A61M 1/0003; A61M 1/0066; A61M 1/0058; A61M 16/0463; A61M 2205/8206; A61M 15/08; A61M 31/00; A61M 3/0262; A61B 2017/246**
See application file for complete search history.

* cited by examiner

Primary Examiner — Michelle E. Wilson
Assistant Examiner — Aula Soroush
(74) *Attorney, Agent, or Firm* — Sughrue Mion, PLLC

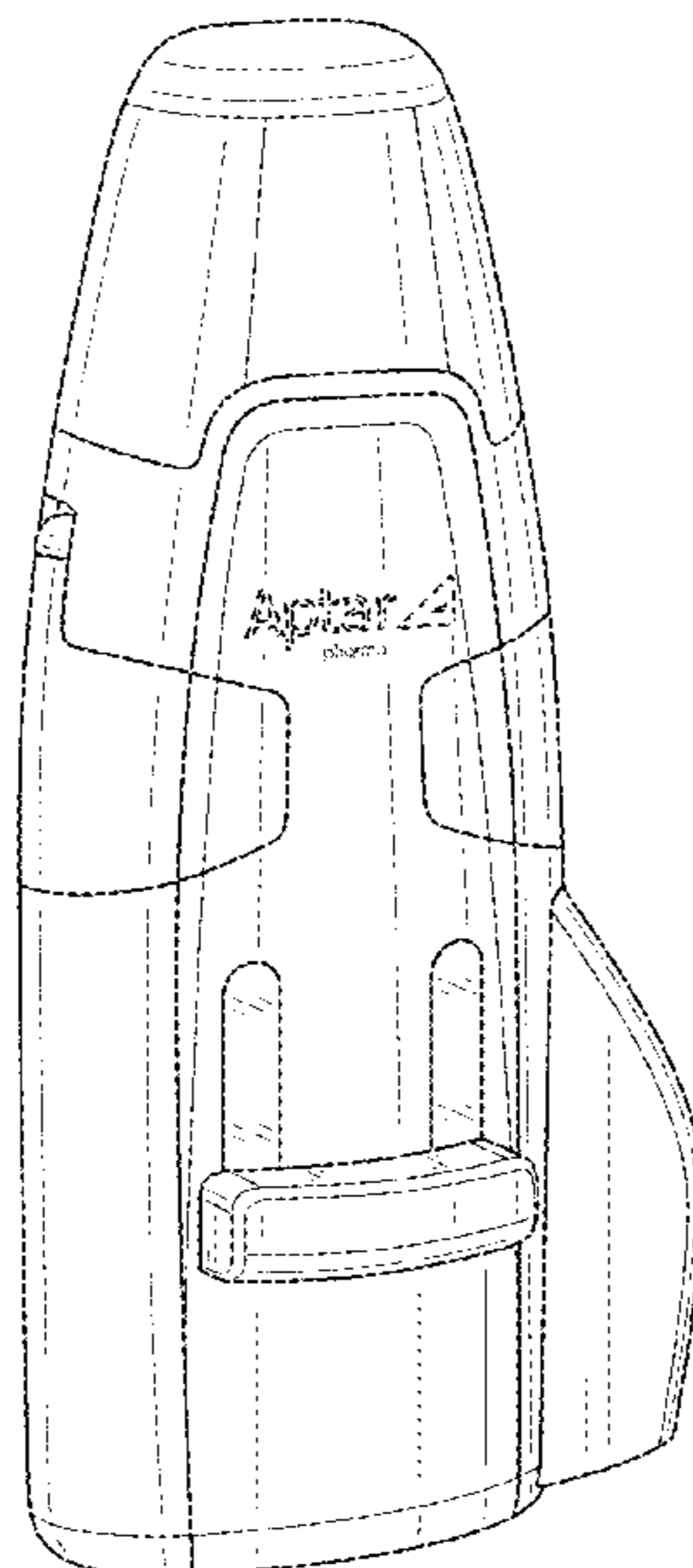
(56) **References Cited**
U.S. PATENT DOCUMENTS
4,830,224 A * 5/1989 Brison B05B 11/0027
222/153.06
D417,731 S * 12/1999 Butler D24/110
D459,230 S * 6/2002 Tompkins D9/529
D476,235 S * 6/2003 Steinhoff D9/529

(57) **CLAIM**
The ornamental design for a nasal spray device, as shown and described.

DESCRIPTION

FIG. 1 is a perspective view of the nasal spray device. FIG. 2 is another perspective view of the nasal spray device. FIG. 3 is a side view of the nasal spray device. FIG. 4 is a back view of the nasal spray device; and, FIG. 5 is another side perspective view of the nasal spray device with the cap removed and a compartment open. The broken lines in the drawings illustrate portions of the nasal spray device that form no part of the claimed design.

1 Claim, 5 Drawing Sheets



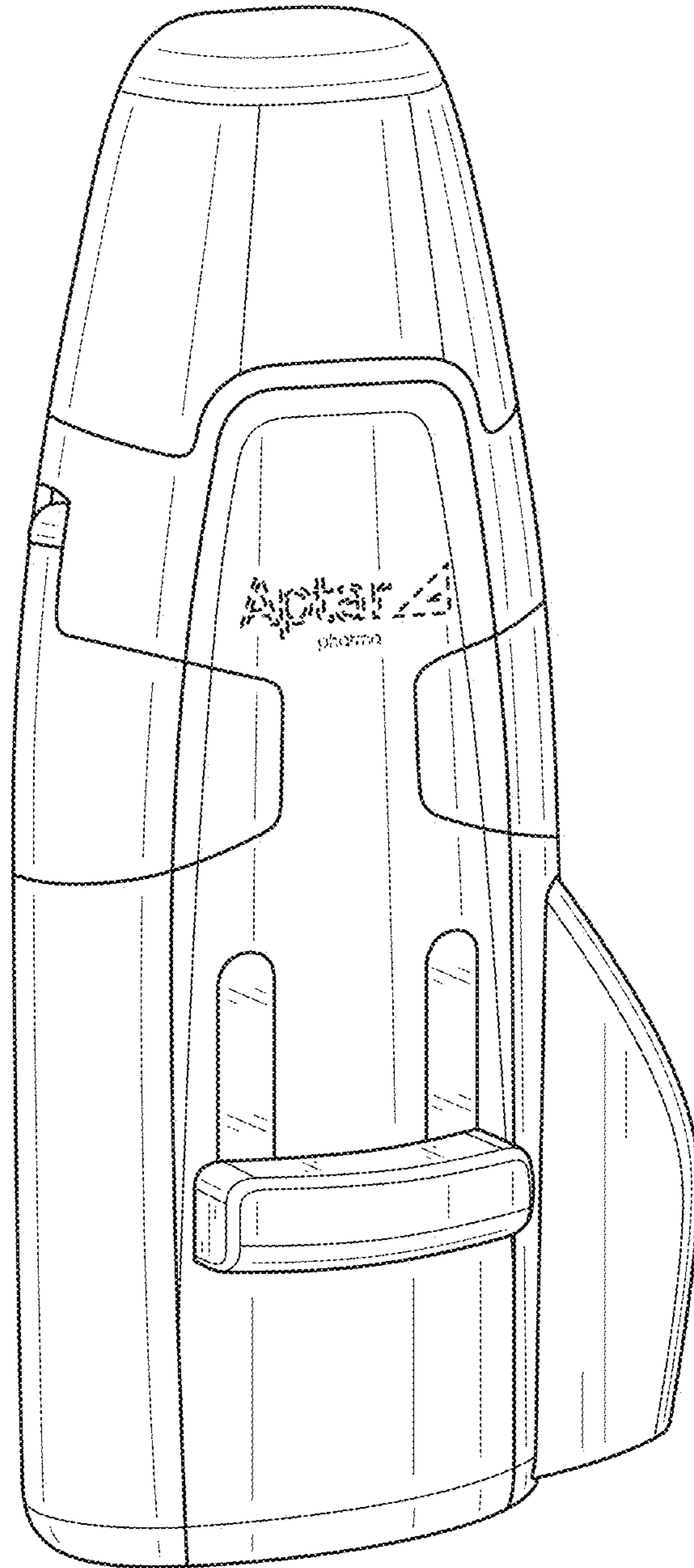


FIG. 1

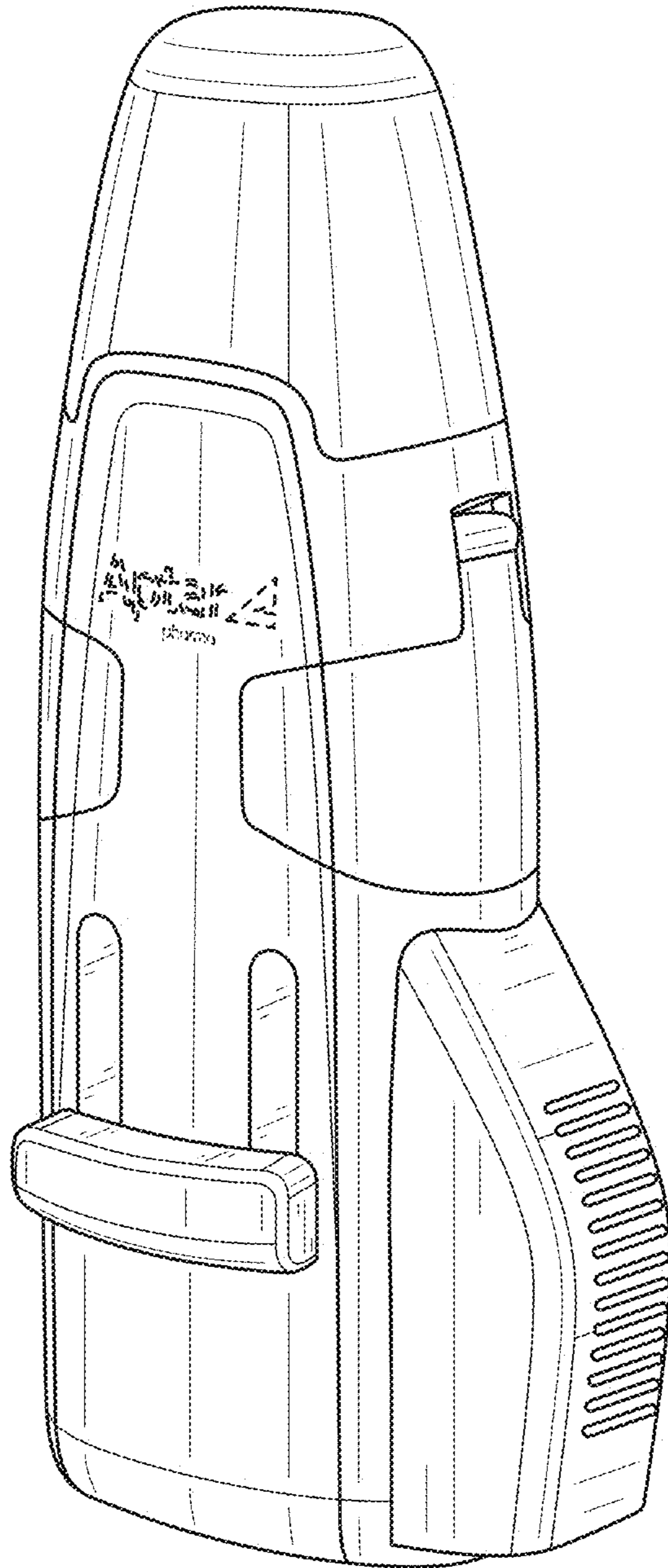


FIG. 2

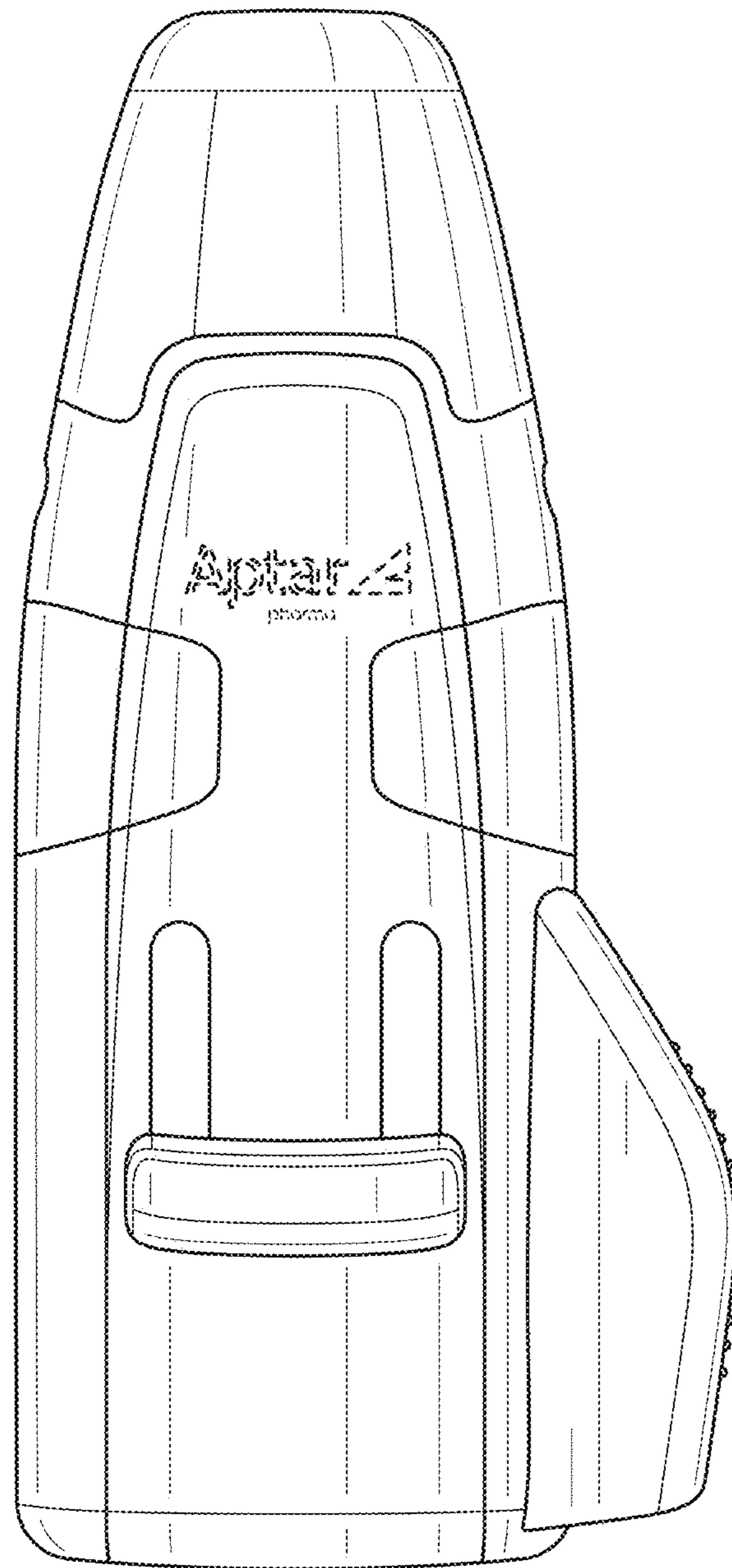


FIG. 3

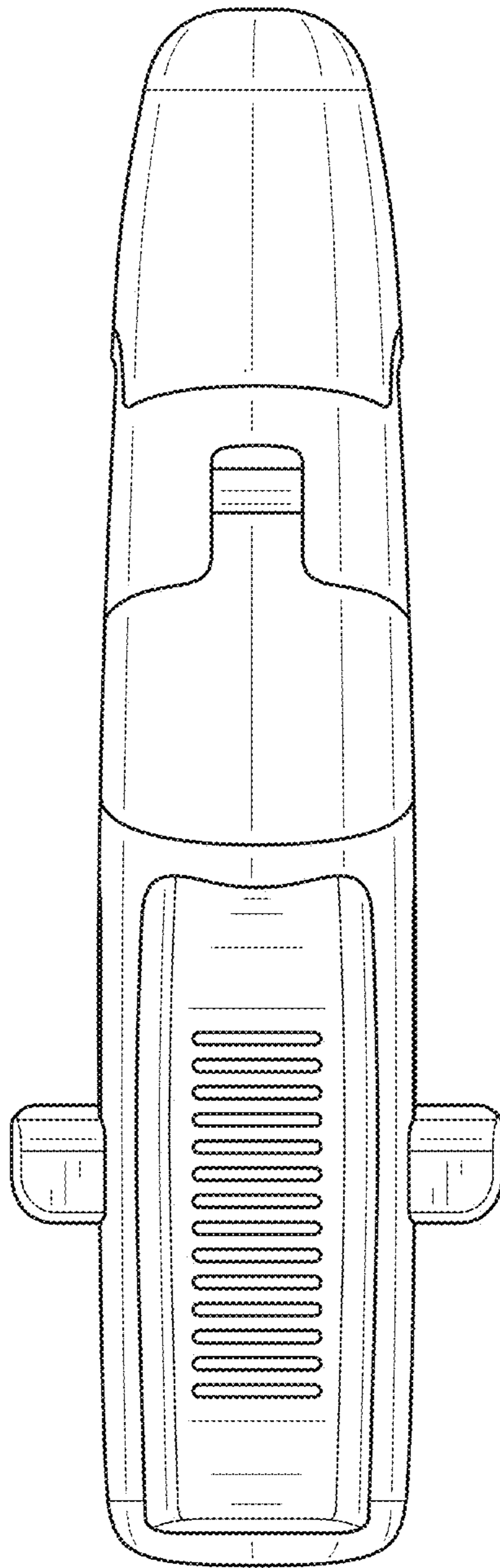


FIG. 4

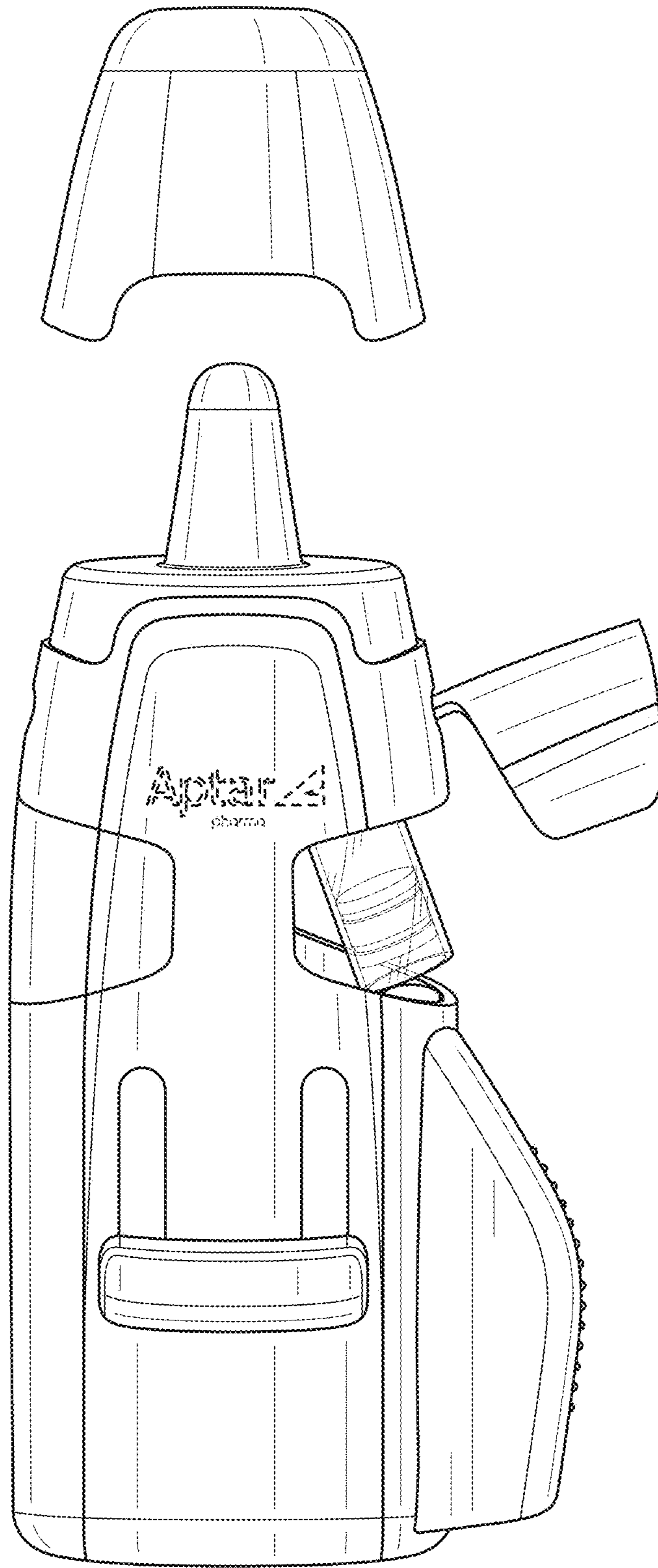


FIG. 5