

US00D935009S

(12) **United States Design Patent** (10) **Patent No.:** **US D935,009 S**
Berling (45) **Date of Patent:** **** Nov. 2, 2021**

(54) **HOOD FOR VENTILATION**
(71) Applicant: **BERLING AERO IP UG**
(haftungsbeschränkt), Ibbenbüren (DE)
(72) Inventor: **Udo Berling**, Hopsten (DE)
(**) Term: **15 Years**
(21) Appl. No.: **35/508,234**
(22) Filed: **Jun. 26, 2019**
(80) **Hague Agreement Data**
Int. Filing Date: **Jun. 26, 2019**
Int. Reg. No.: **DM/203808**
Int. Reg. Date: **Jun. 26, 2019**
Int. Reg. Pub. Date: **Dec. 27, 2019**

D602,578 S *	10/2009	Grey	D23/372
D610,668 S *	2/2010	Grey	D23/372
D610,669 S *	2/2010	Grey	D23/372
D610,670 S *	2/2010	Grey	D23/372
D611,590 S *	3/2010	Grey	D23/372
D611,591 S *	3/2010	Grey	D23/372
D613,846 S *	4/2010	Grey	D23/372
D614,756 S *	4/2010	Grey	D23/372
D677,775 S *	3/2013	Funnell, II	D23/371
D687,138 S *	7/2013	Funnell, II	D23/371
D696,392 S *	12/2013	Funnell, II	D23/371
D730,508 S *	5/2015	Funnell, II	D23/372
D730,509 S *	5/2015	Funnell, II	D23/372
D733,863 S *	7/2015	Funnell, II	D23/372
D733,864 S *	7/2015	Funnell, II	D23/372
D755,362 S *	5/2016	Chen	D23/372
D825,734 S *	8/2018	Mok	D23/372
D867,571 S *	11/2019	Mok	D23/372
D900,297 S *	10/2020	Hedlund	D23/393
D900,298 S *	10/2020	Hedlund	D23/393
D900,299 S *	10/2020	Hedlund	D23/393
2007/0256681 A1 *	11/2007	Chiang	F24C 15/2071 126/299 R

(51) **LOC (13) Cl.** **23-04**
(52) **U.S. Cl.**
USPC **D23/371**
CPC **F24C 15/2042** (2013.01)
(58) **Field of Classification Search**
USPC D23/332-337, 370-385, 411
CPC .. F24C 15/2042; F24C 15/2021; F24C 13/00;
F24C 15/20; F24C 15/2028; F24C
15/2035; F24C 15/205; F24C 15/2071;
F24C 15/2085; F24C 15/2092
See application file for complete search history.

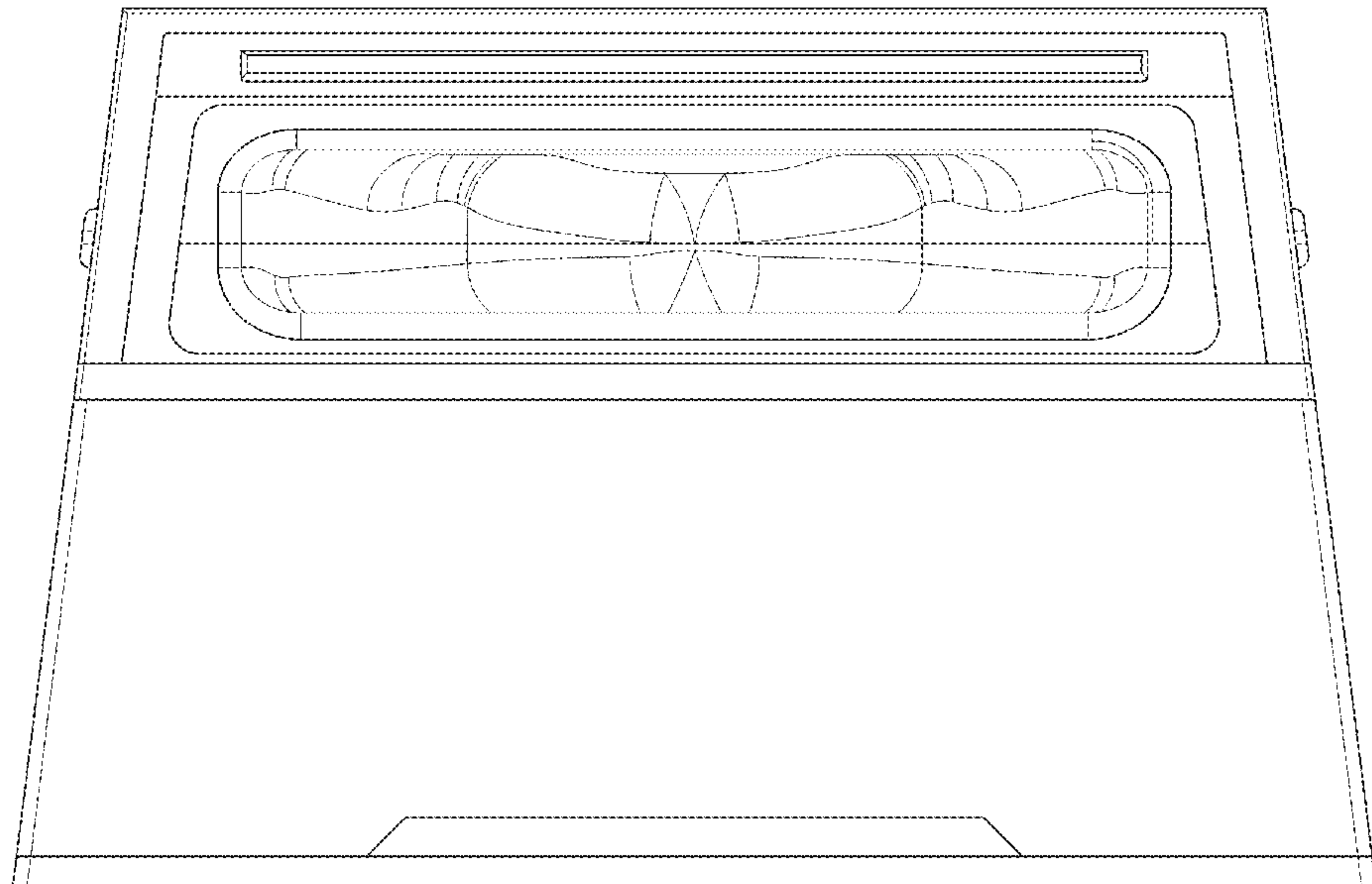
(56) **References Cited**
U.S. PATENT DOCUMENTS
D277,404 S * 1/1985 Peterson D23/371
D471,268 S * 3/2003 Segers D23/372
D532,508 S * 11/2006 Cheng D23/372
D532,509 S * 11/2006 Cheng D23/372
D532,894 S * 11/2006 Cheng D23/372
D565,719 S * 4/2008 Cheng D23/372
D602,145 S * 10/2009 Grey D23/372

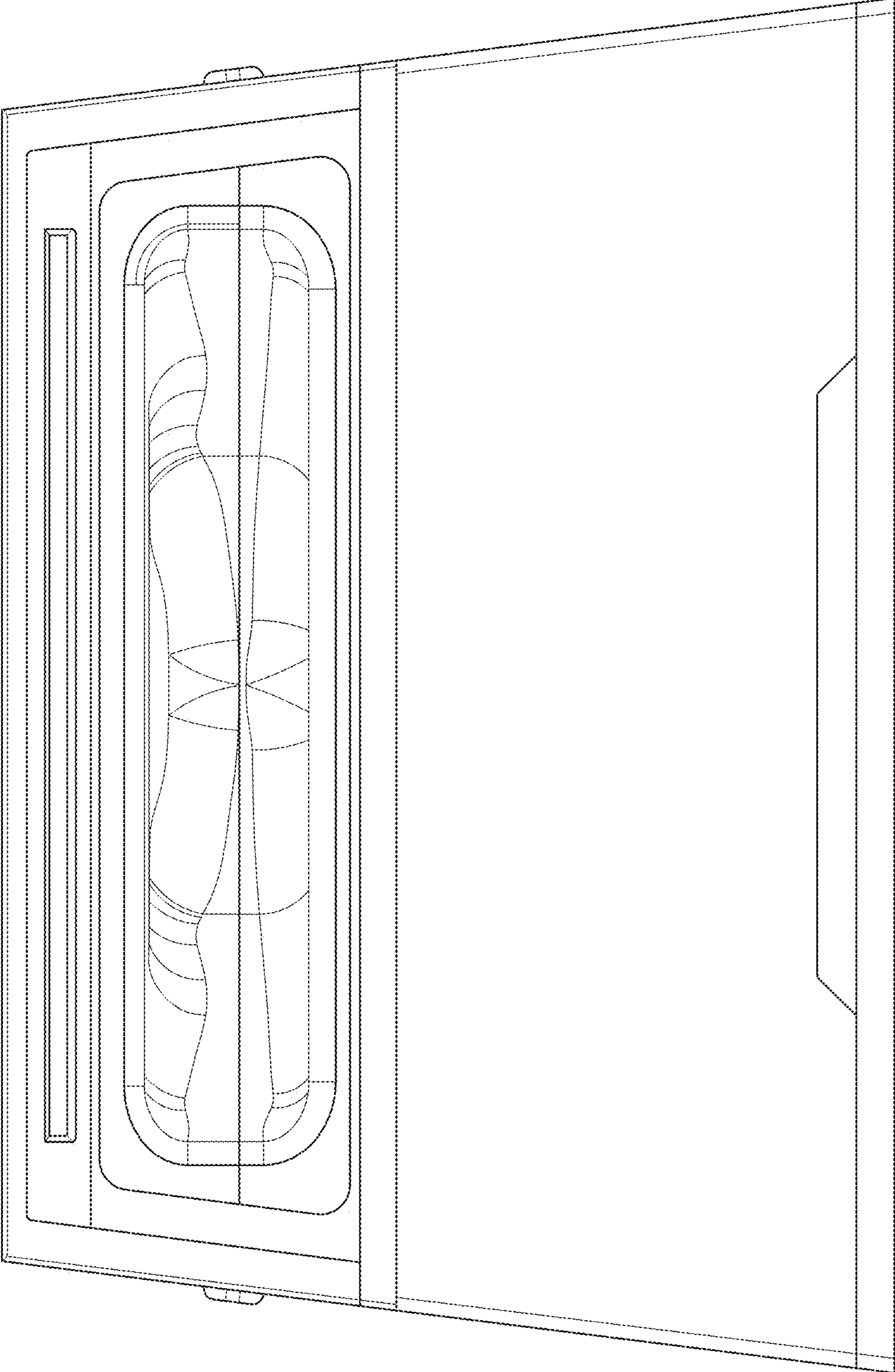
* cited by examiner
Primary Examiner — Richard E Chilcot

(57) **CLAIM**
The ornamental design for a hood for ventilation, as shown and described.

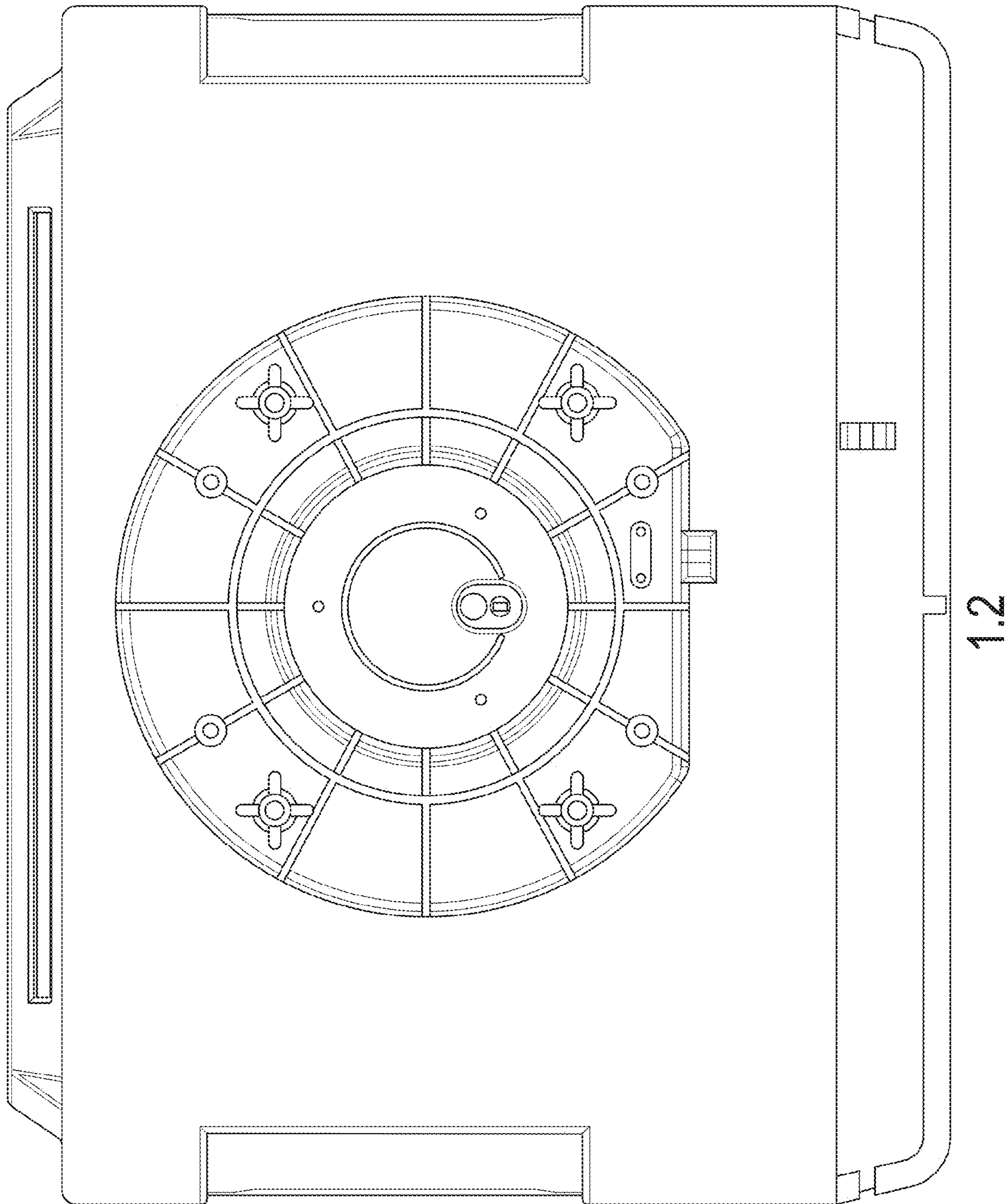
DESCRIPTION
1.-2. Hood for ventilation
1.1 : Front
1.2 : Bottom
1.3 : Right
1.4 : Left
1.5 : Top
1.6 : Back
The broken lines depict portions of the hood for ventilation that form no part of the claimed design.

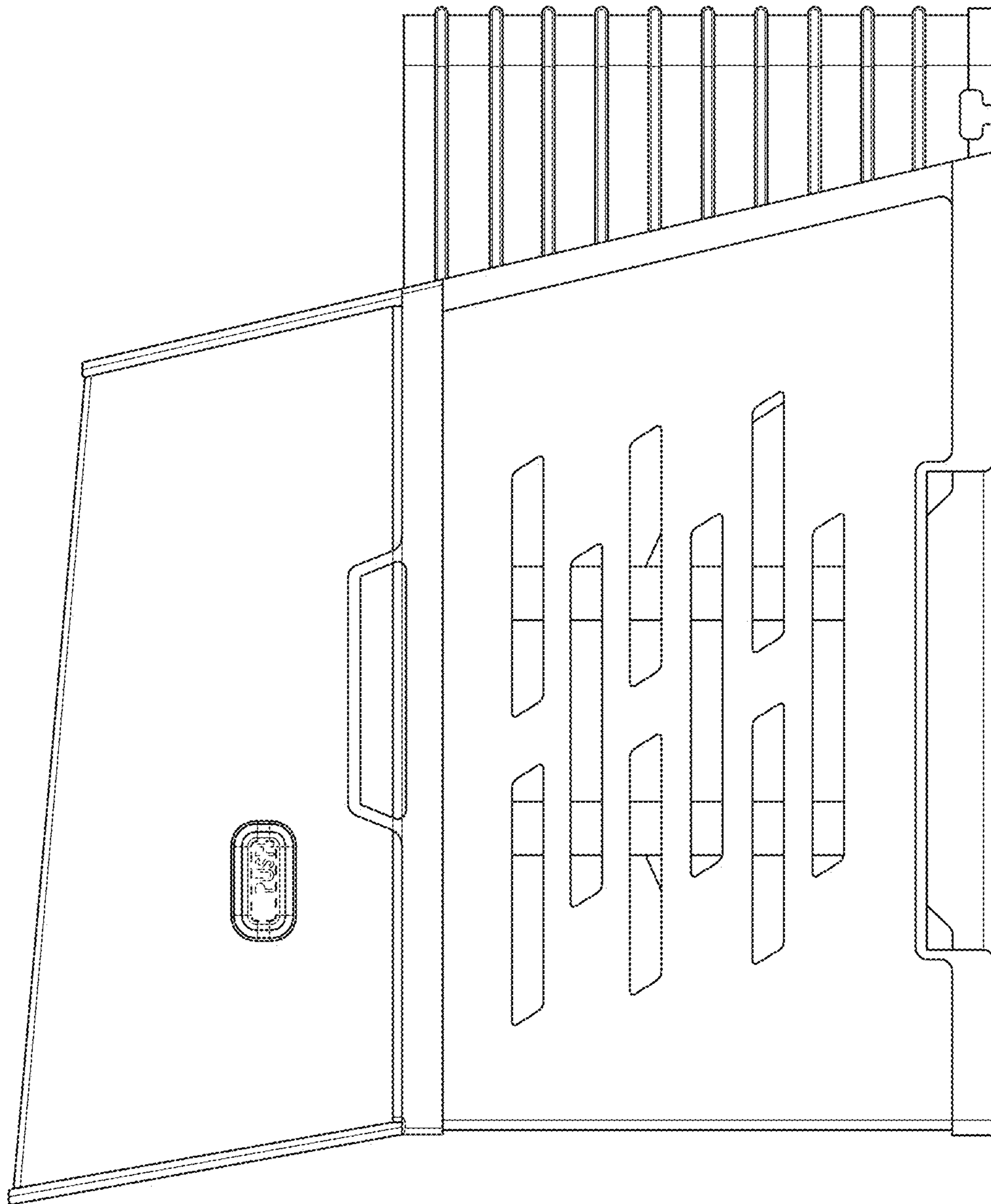
1 Claim, 6 Drawing Sheets



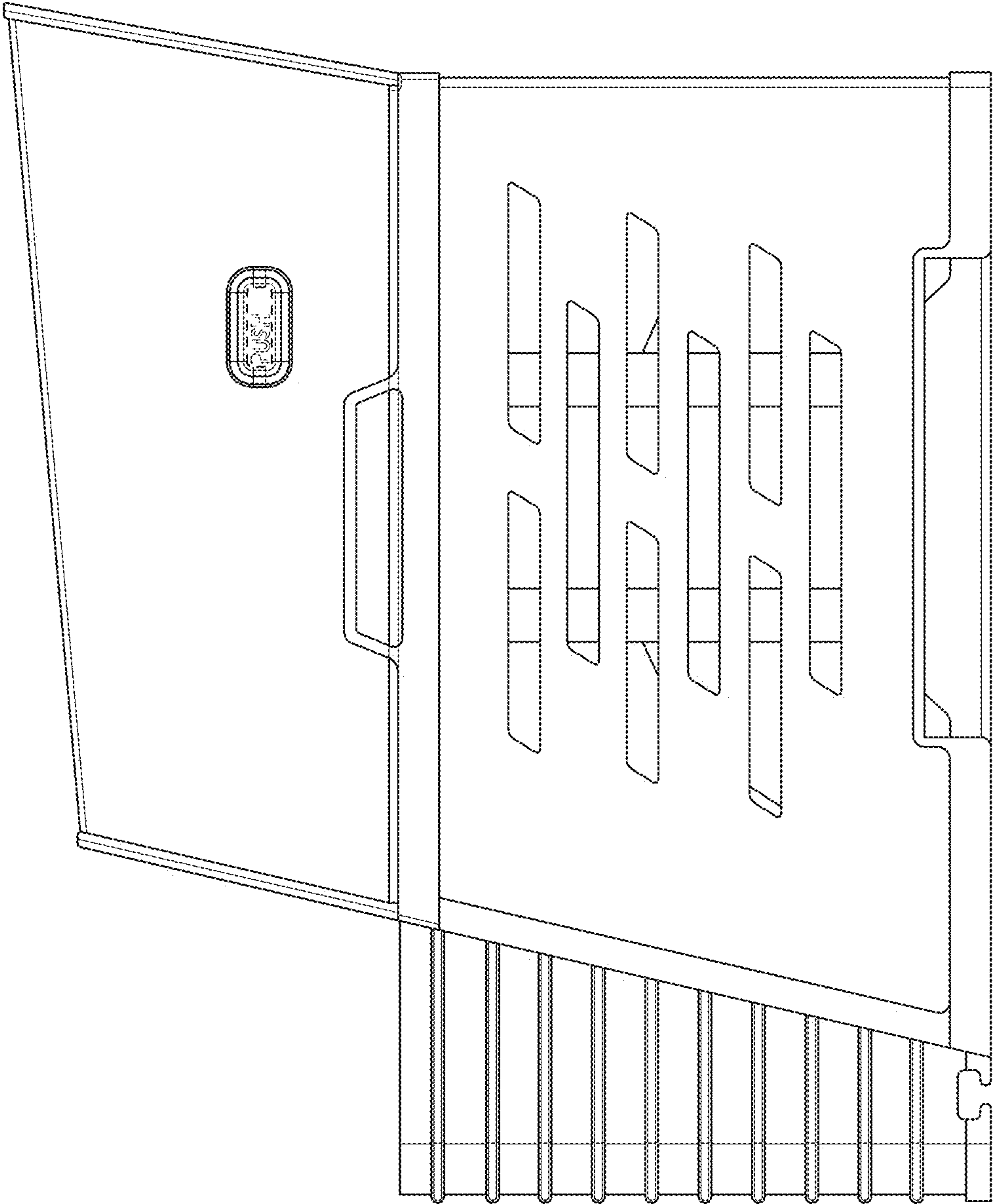


1.1

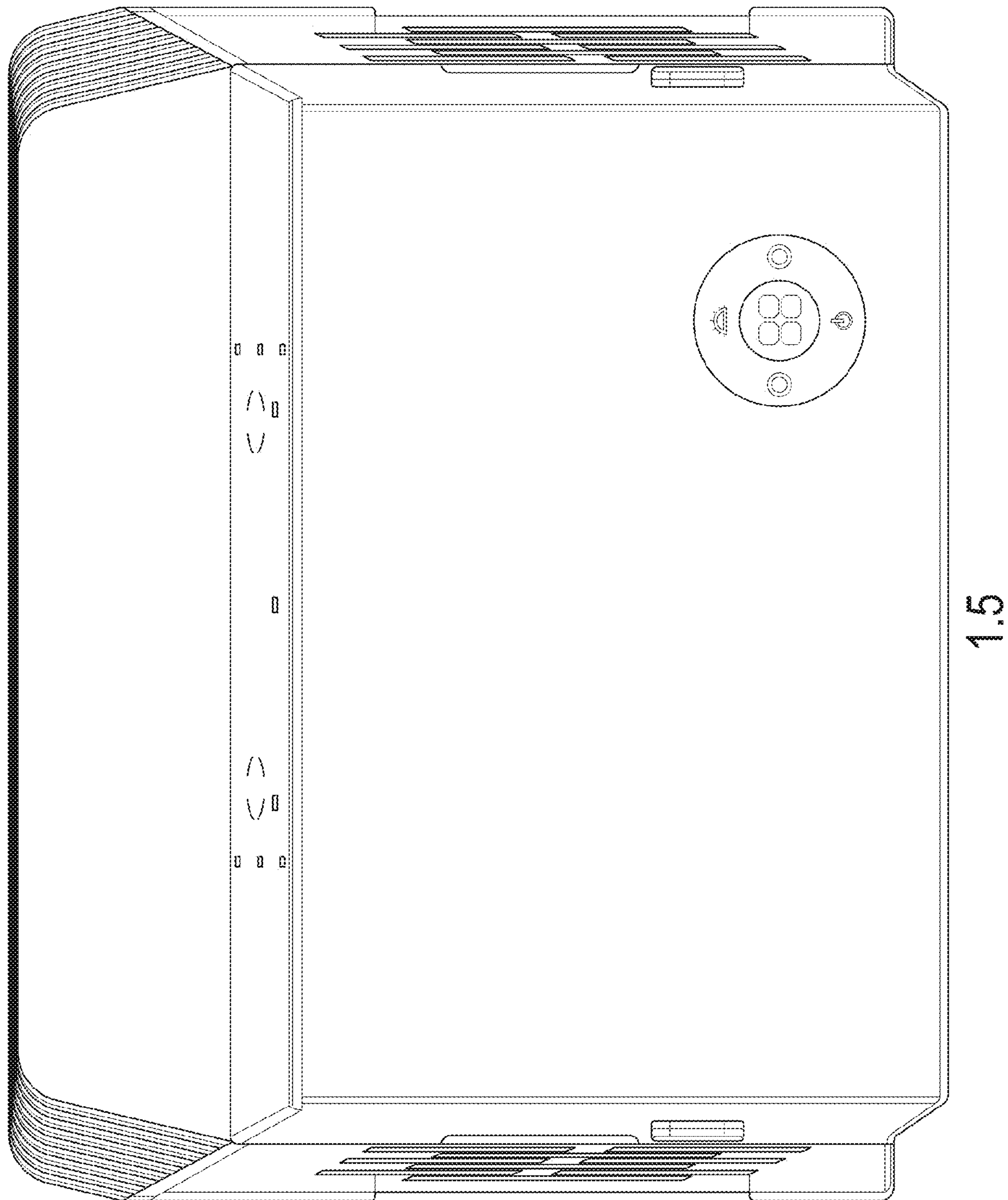


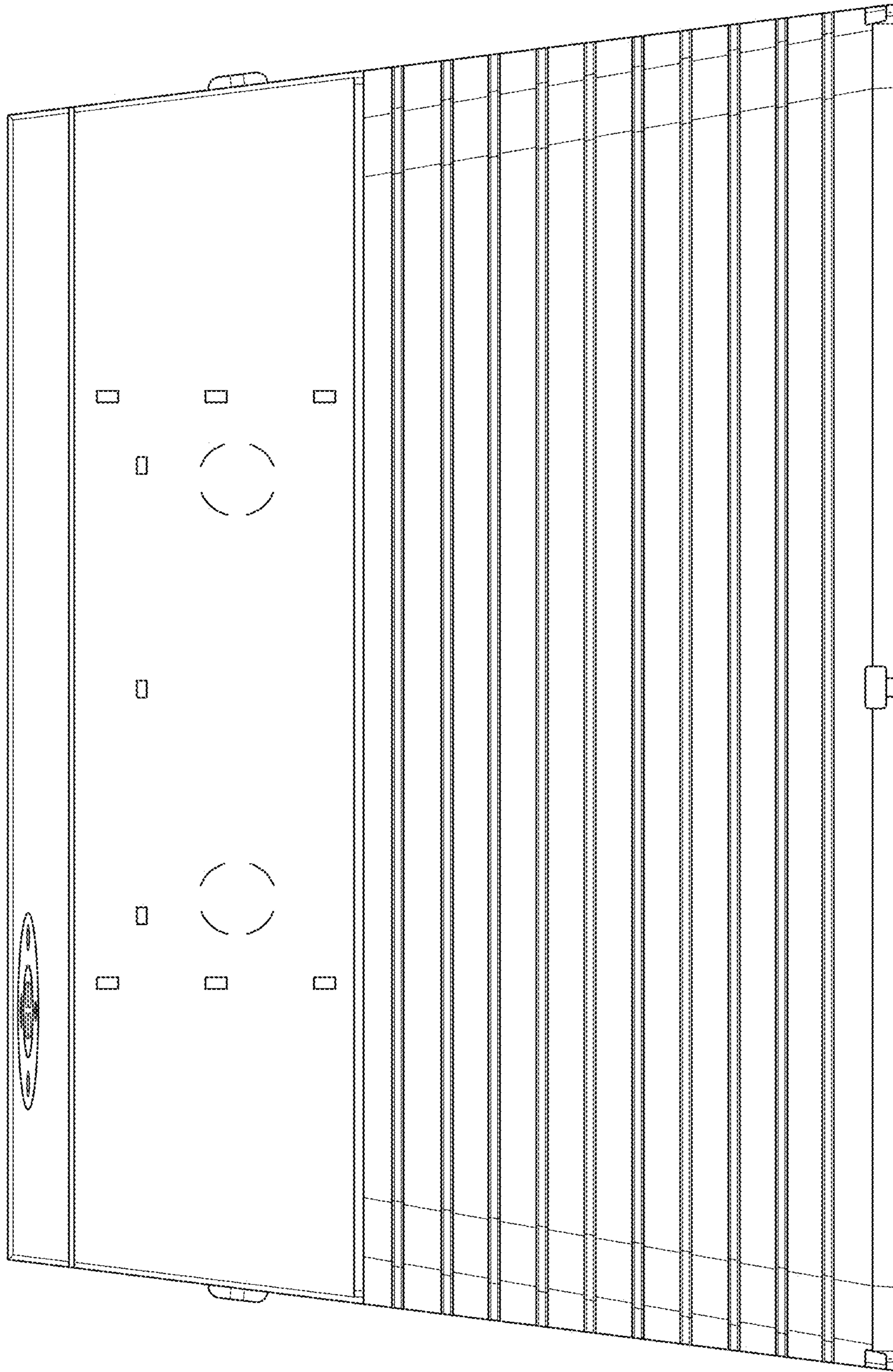


1.3



1.4





1.6