



US00D935007S

(12) **United States Design Patent**
Gobber et al.

(10) **Patent No.:** **US D935,007 S**
(45) **Date of Patent:** **** Nov. 2, 2021**

- (54) **DIFFUSING EVAPORATOR OF ACTIVE SUBSTANCES**
- (71) Applicant: **ZOBELE HOLDING SPA**, Trento (IT)
- (72) Inventors: **Cedric Gobber**, Barcelona (ES);
Joaquim Llorente Alonso, Barcelona (ES)
- (73) Assignee: **ZOBELE HOLDING SPA**, Trento (IT)
- (**) Term: **15 Years**
- (21) Appl. No.: **29/663,596**
- (22) Filed: **Sep. 17, 2018**

(30) **Foreign Application Priority Data**

Mar. 19, 2018 (ES) D0528055

(51) **LOC (13) Cl.** **23-04**

(52) **U.S. Cl.**
USPC **D23/366**

(58) **Field of Classification Search**
USPC D23/355, 358, 360, 364, 365, 366, 367,
D23/368, 369; D27/169, 194; D13/108
CPC . A61L 9/03; A61L 9/012; A61L 9/015; A61L
9/037; F41J 1/01; B60H 3/00
See application file for complete search history.

(56) **References Cited**

U.S. PATENT DOCUMENTS

D532,893 S *	11/2006	Wu	D23/366
D591,415 S *	4/2009	Wu	D23/366
D621,922 S *	8/2010	Sabate	D23/366
D631,954 S *	2/2011	Bertassi	D23/366
D633,610 S *	3/2011	Wu	D23/366

D642,668 S *	8/2011	Lablaine	D23/366
D658,753 S *	5/2012	Zhang	D23/366
D742,824 S *	11/2015	Hsu	D13/108
D763,437 S *	8/2016	Dwyer	D24/110.1
D816,201 S *	4/2018	Goddard	D23/366
D816,823 S *	5/2018	Gobber	D23/366
D819,798 S *	6/2018	Hwang	D23/364
D849,221 S *	5/2019	Brandenburg	D23/366
D885,547 S *	5/2020	Benamor	D23/366
D889,622 S *	7/2020	Gobber	D23/366
D893,696 S *	8/2020	Vicondo Fontanella	D23/366
D906,504 S *	12/2020	Vandenbelt	D23/366
D906,505 S *	12/2020	Vicondo Fontanella	D23/366
2010/0272421 A1 *	10/2010	Liu	A61L 9/03 392/403
2015/0004066 A1 *	1/2015	Leon	A45D 34/02 422/125

* cited by examiner

Primary Examiner — John A Voytek

(74) *Attorney, Agent, or Firm* — Ostrolenk Faber LLP

(57) **CLAIM**

The ornamental design for a diffusing evaporator of active substances, as shown and described.

DESCRIPTION

FIG. 1 is a top, front and left side perspective view of a diffusing evaporator of active substances, according to our new design;

FIG. 2 is a top view thereof;

FIG. 3 is a rear view thereof;

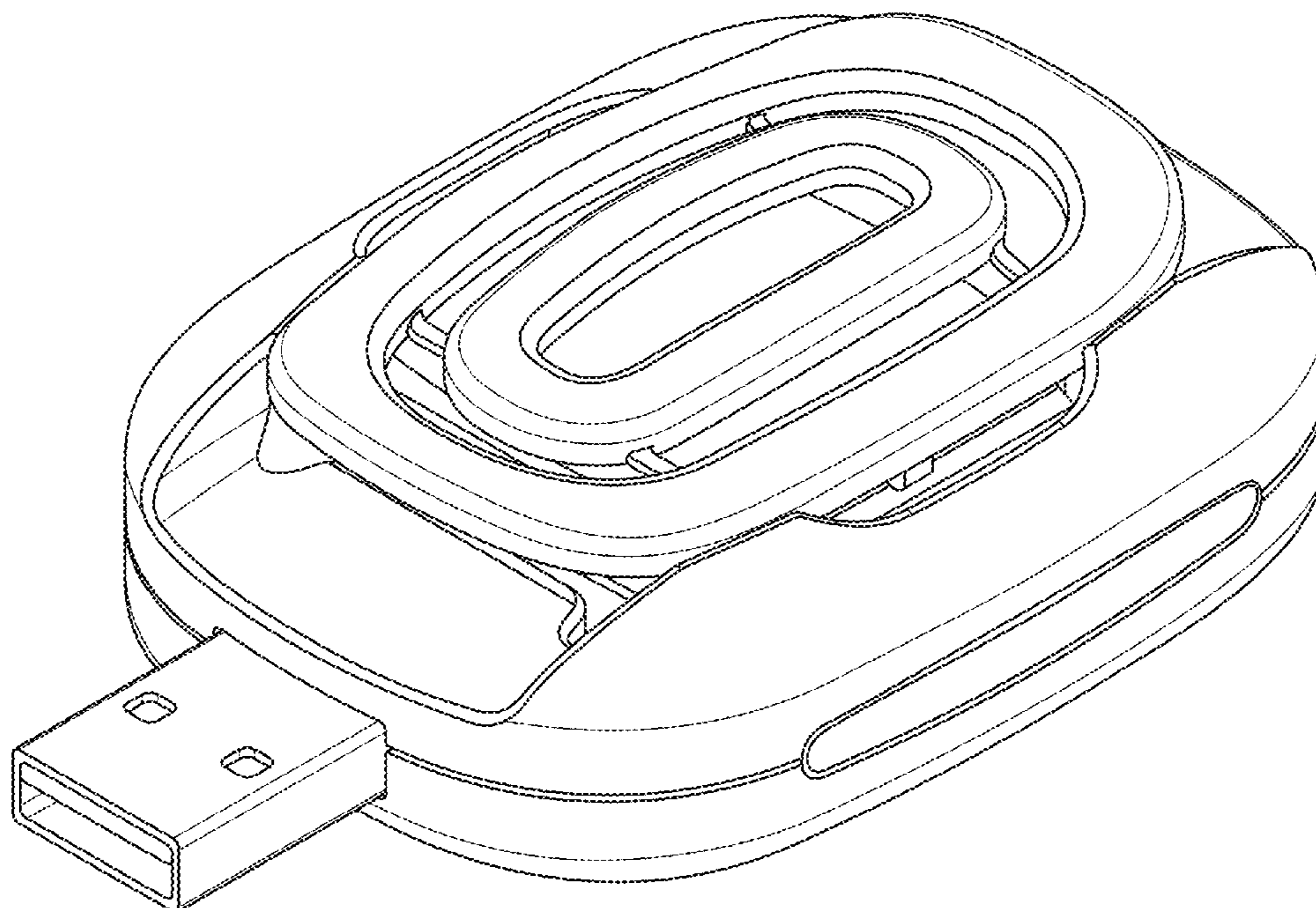
FIG. 4 is a left side view thereof;

FIG. 5 is a bottom view thereof;

FIG. 6 is a front view thereof; and,

FIG. 7 is a right side view thereof.

1 Claim, 7 Drawing Sheets



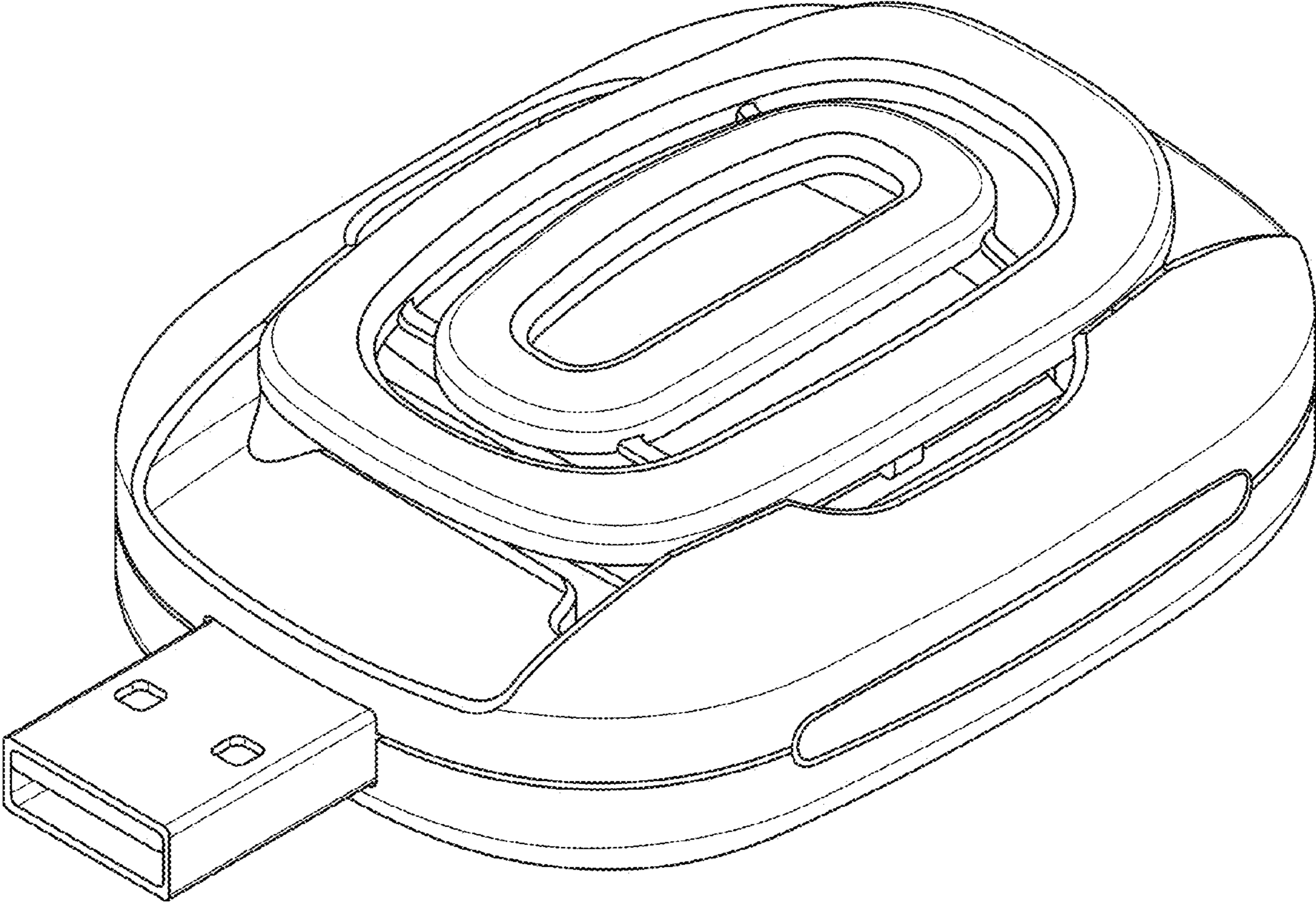


FIG. 1

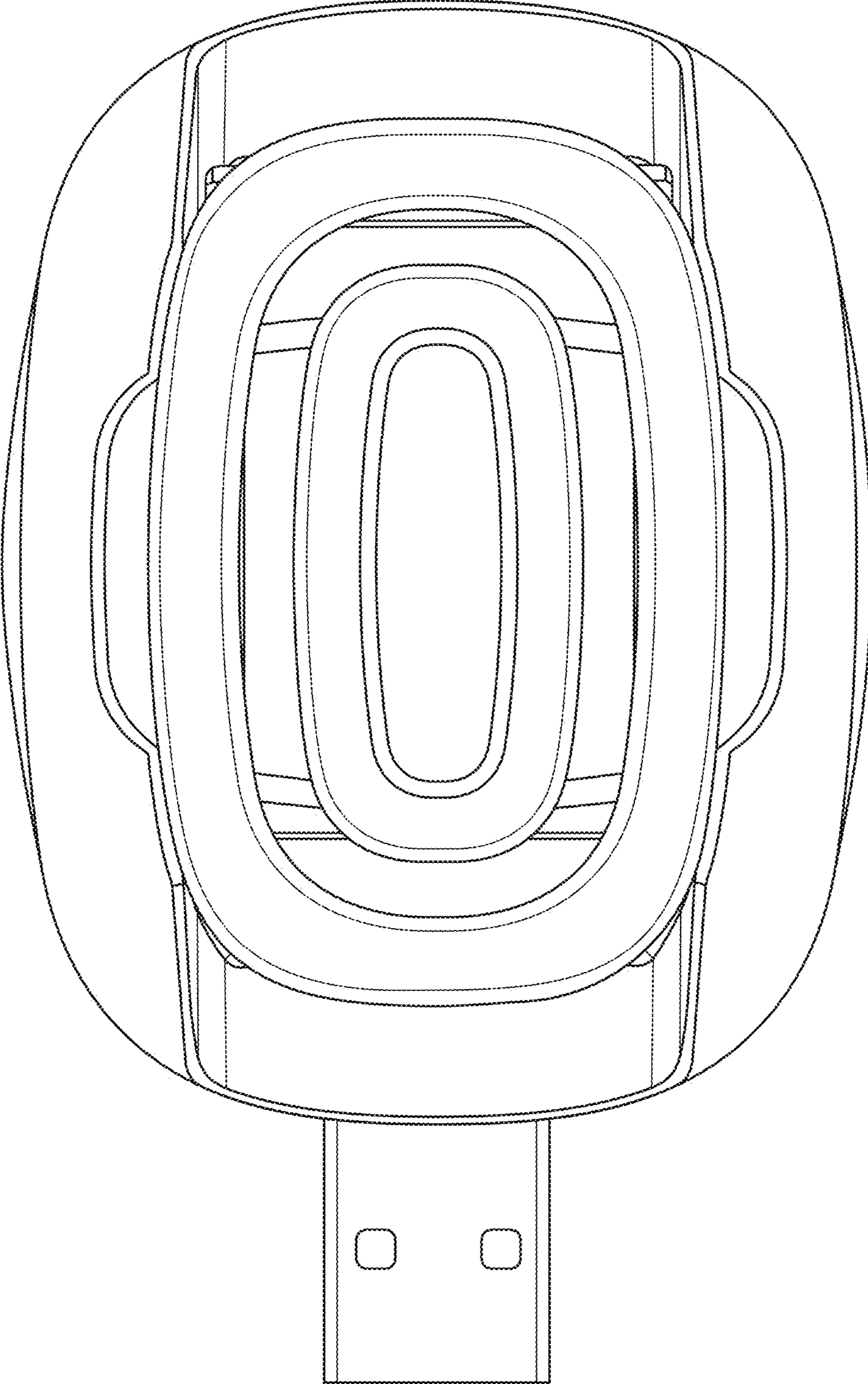


FIG. 2

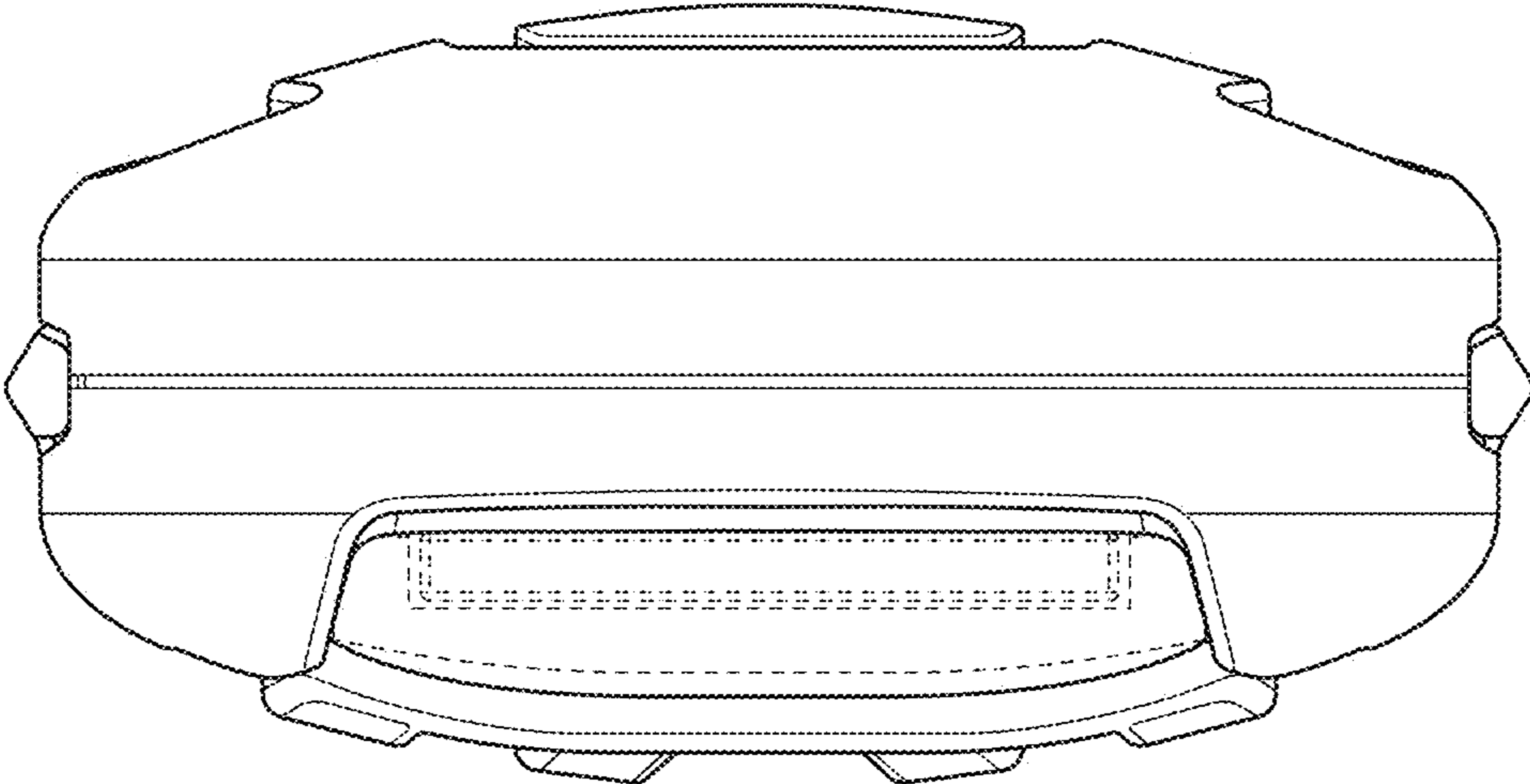


FIG. 3

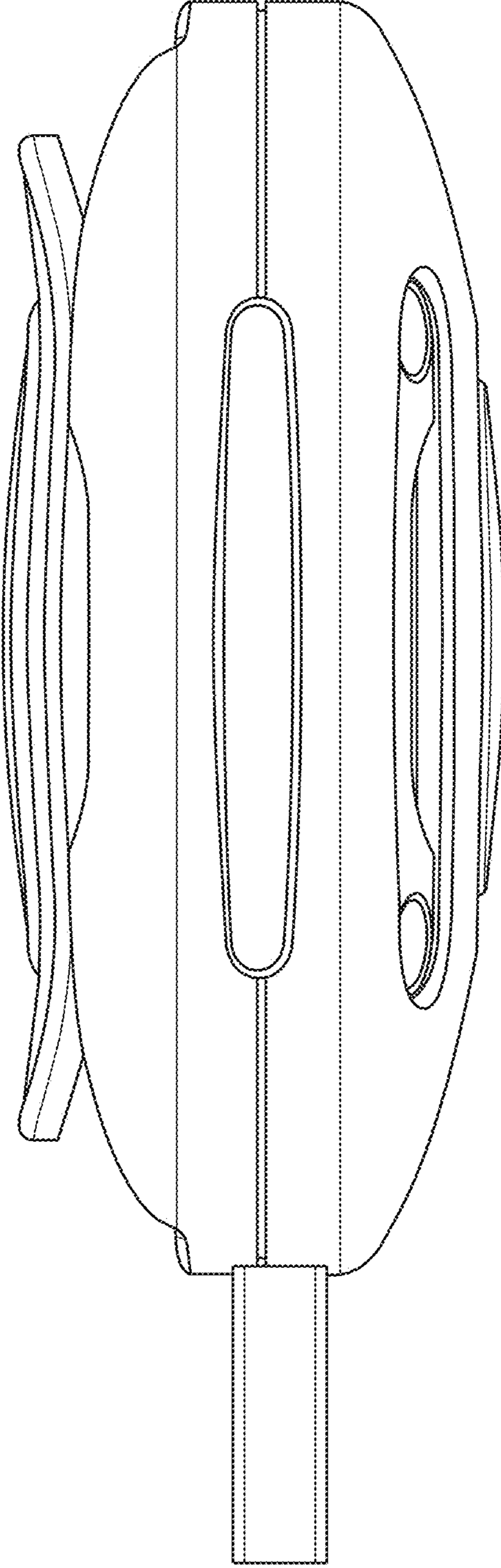


FIG. 4

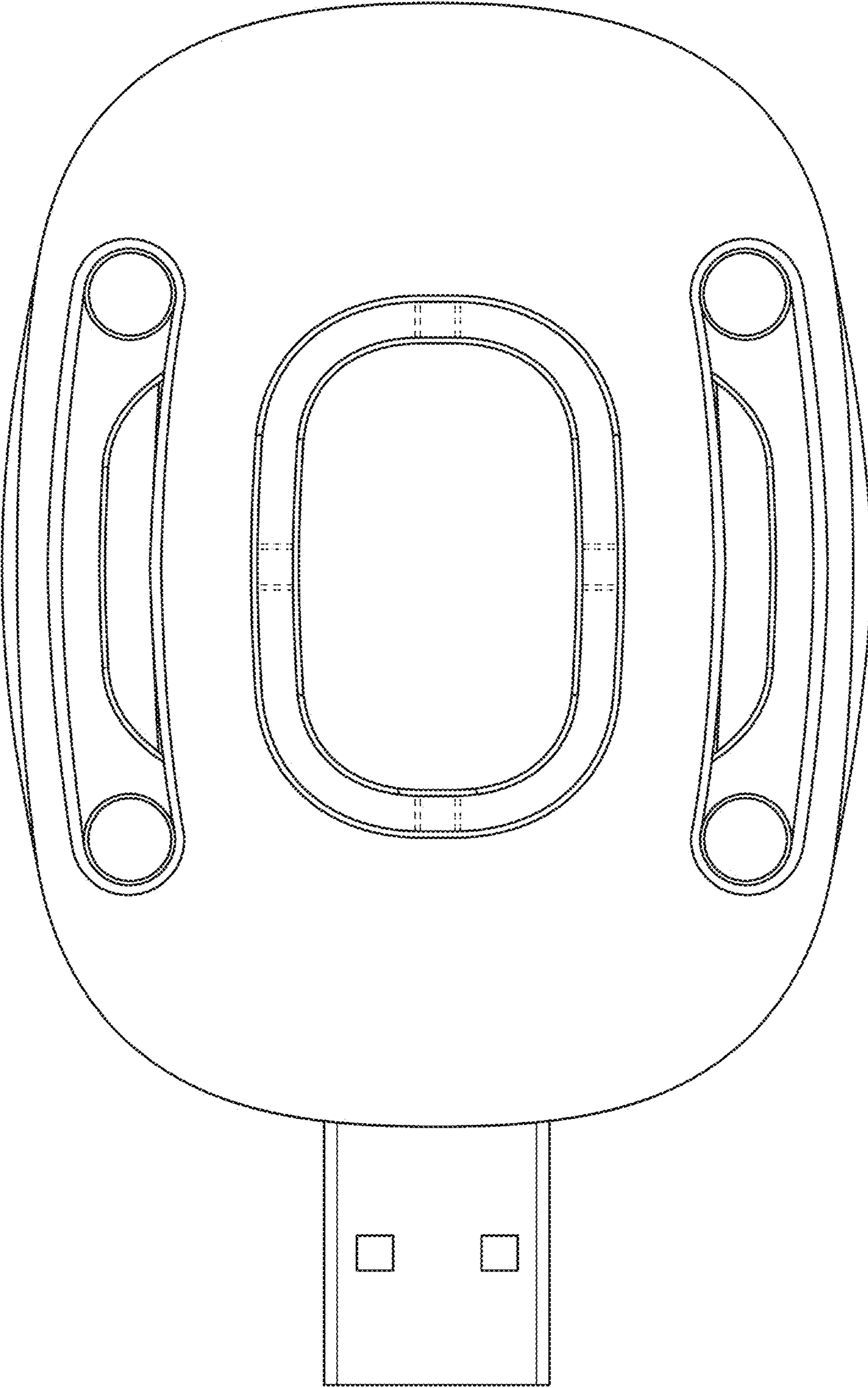


FIG. 5

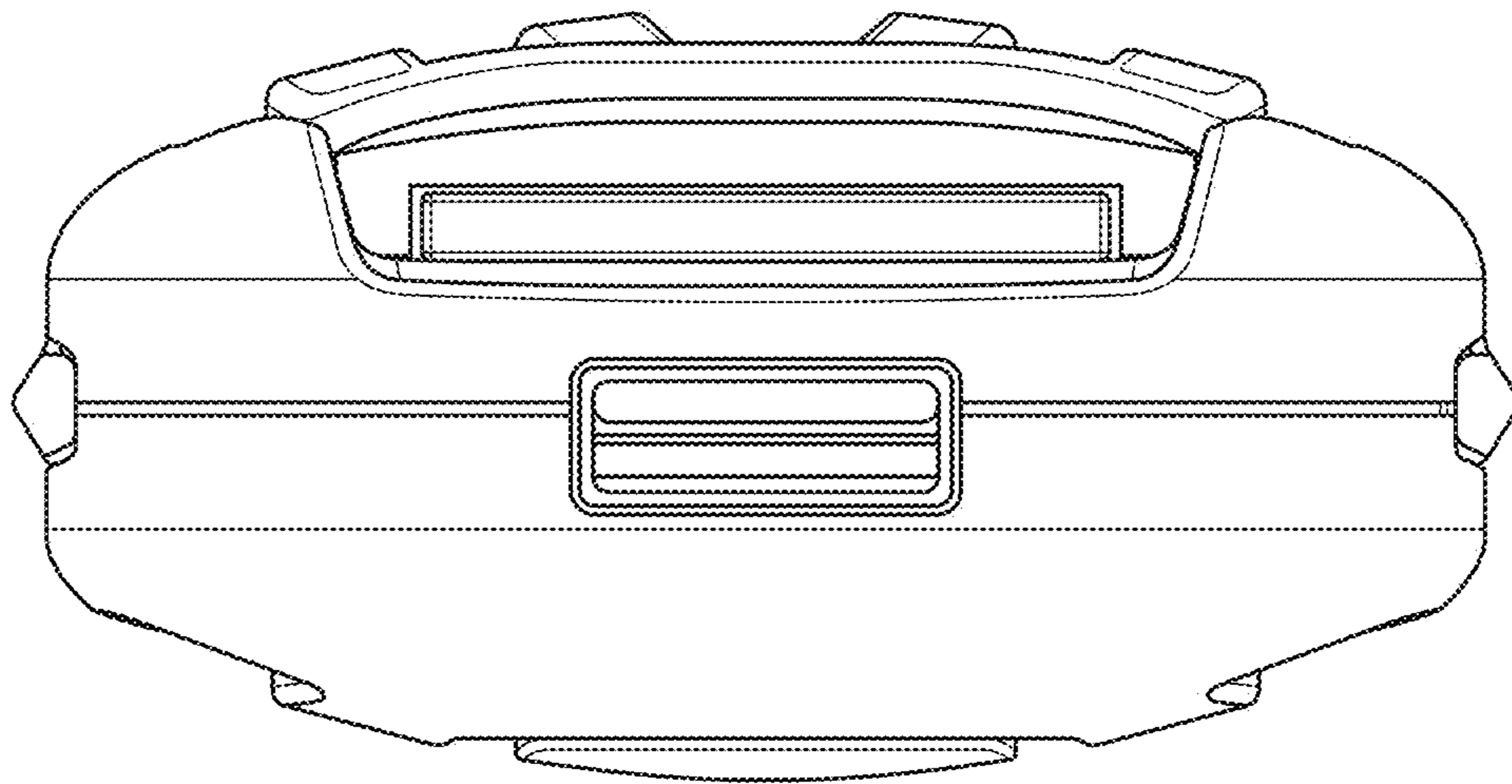


FIG. 6

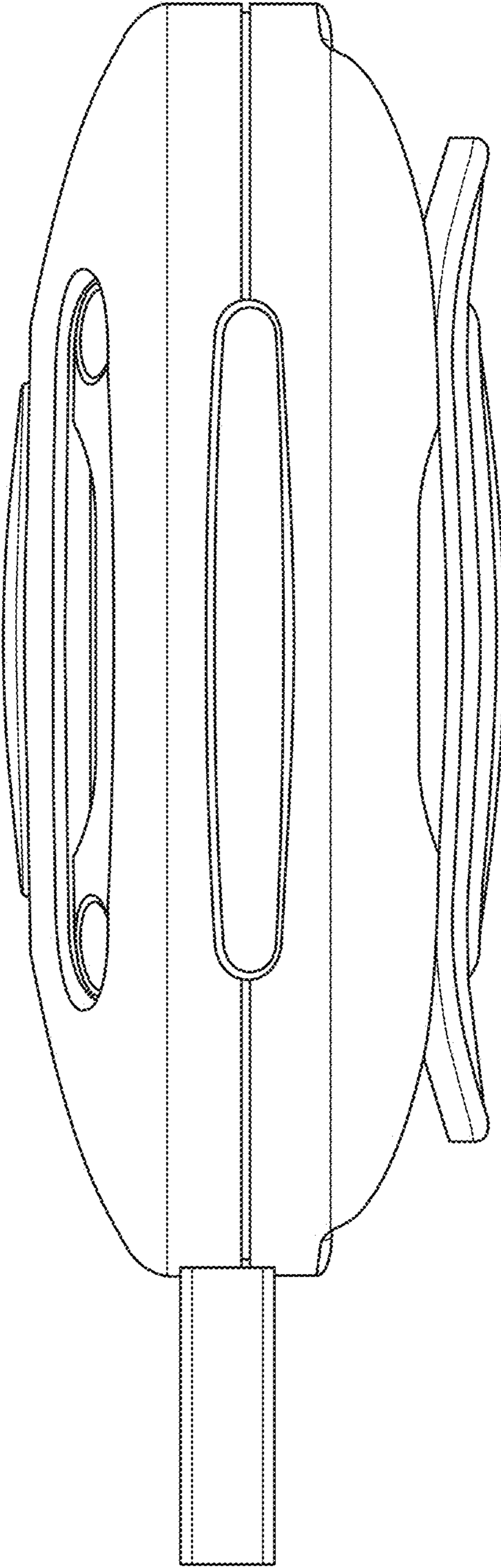


FIG. 7