



US00D935006S

(12) **United States Design Patent** (10) **Patent No.:** **US D935,006 S**  
**Huang** (45) **Date of Patent:** **\*\* Nov. 2, 2021**

(54) **DEHUMIDIFIER**

(71) Applicant: **Xiaozhou Huang**, Puning (CN)

(72) Inventor: **Xiaozhou Huang**, Puning (CN)

(\*\*) Term: **15 Years**

(21) Appl. No.: **29/711,076**

(22) Filed: **Oct. 29, 2019**

(51) **LOC (13) Cl.** ..... **23-04**

(52) **U.S. Cl.**  
USPC ..... **D23/359**

(58) **Field of Classification Search**  
USPC ..... D23/355, 360, 364, 365, 370, 359  
See application file for complete search history.

(56) **References Cited**

**U.S. PATENT DOCUMENTS**

D537,512 S *	2/2007	Nakajima	.....	D23/359
D551,747 S *	9/2007	Liu	.....	D23/359
D573,241 S *	7/2008	Chiu	.....	D23/359
D577,800 S *	9/2008	Yoon	.....	D23/359
D606,184 S *	12/2009	Chiu	.....	D23/359
D673,665 S *	1/2013	Langford	.....	D23/359
D729,365 S *	5/2015	Yuan	.....	D23/359
D754,831 S *	4/2016	Yin	.....	D23/359
D788,894 S *	6/2017	Qin	.....	D23/333
D810,906 S *	2/2018	Yoon	.....	D23/364
D830,528 S *	10/2018	Zhou	.....	D23/364
D844,766 S *	4/2019	Miao	.....	D23/364
D882,743 S *	4/2020	Yang	.....	D23/333

**FOREIGN PATENT DOCUMENTS**

CN	202030505770.8	* 12/2020
CN	202030506424.1	* 1/2021

**OTHER PUBLICATIONS**

Honeywell dehumidifier found on Feb. 8, 2021 at <https://www.amazon.com/Honeywell-70-Pint-Energy-Dehumidifier-TP70WK/dp/B07DNCHFLQ/> (Year: 2019).\*  
Waykar dehumidifier found on Feb. 8, 2021 at <https://www.amazon.com/Waykar-Dehumidifier-Basements-Spaces-Manual/dp/B081RG8JYR/> (Year: 2020).\*

\* cited by examiner

*Primary Examiner* — Karen S Acker  
*Assistant Examiner* — Jonathan E Fiencke

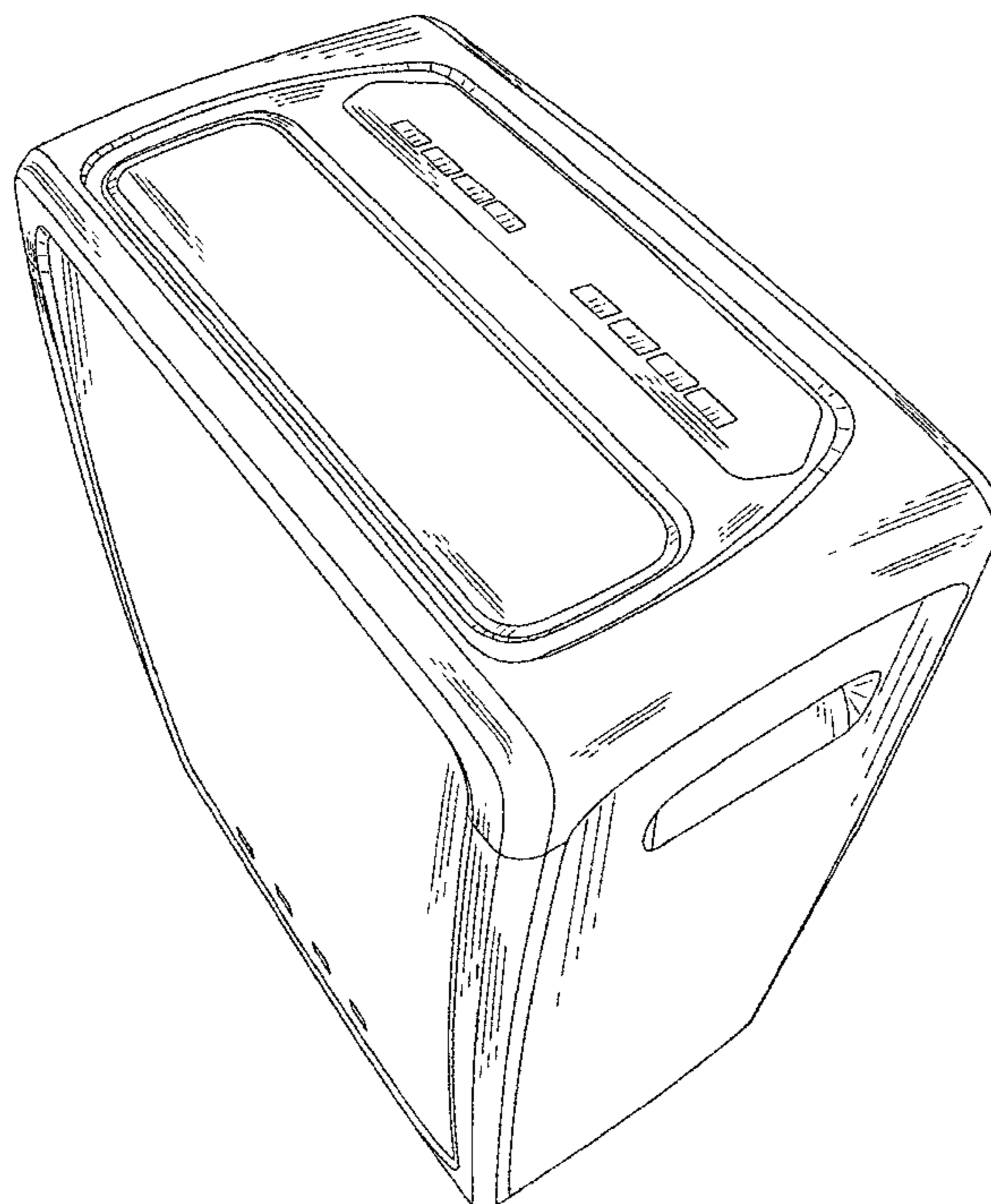
(57) **CLAIM**

The ornamental design for a dehumidifier, as shown and described.

**DESCRIPTION**

FIG. 1 is a perspective view of a dehumidifier showing my new design;  
FIG. 2 is a front elevation view thereof;  
FIG. 3 is a rear elevation view thereof;  
FIG. 4 is a left side elevation view thereof;  
FIG. 5 is a right side elevation view thereof;  
FIG. 6 is a top plan view thereof;  
FIG. 7 is a bottom plan view thereof; and,  
FIG. 8 is a perspective view of the open state.  
The broken lines depict portions of the dehumidifier that form no part of the claimed design.  
The dot dash dot lines surrounding the interior of the humidifier depict the boundaries of the claim and form no part thereof.

**1 Claim, 8 Drawing Sheets**



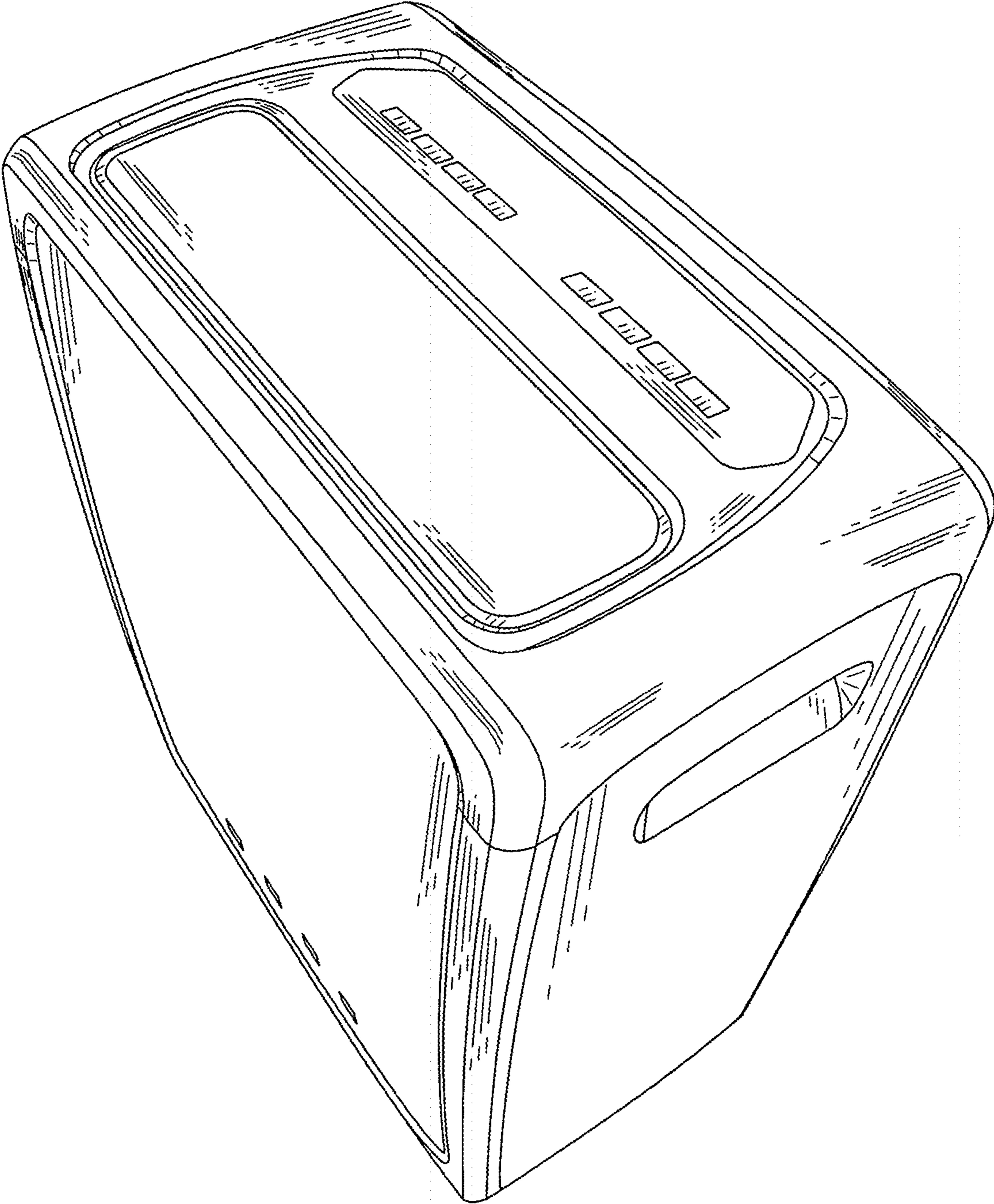


FIG. 1

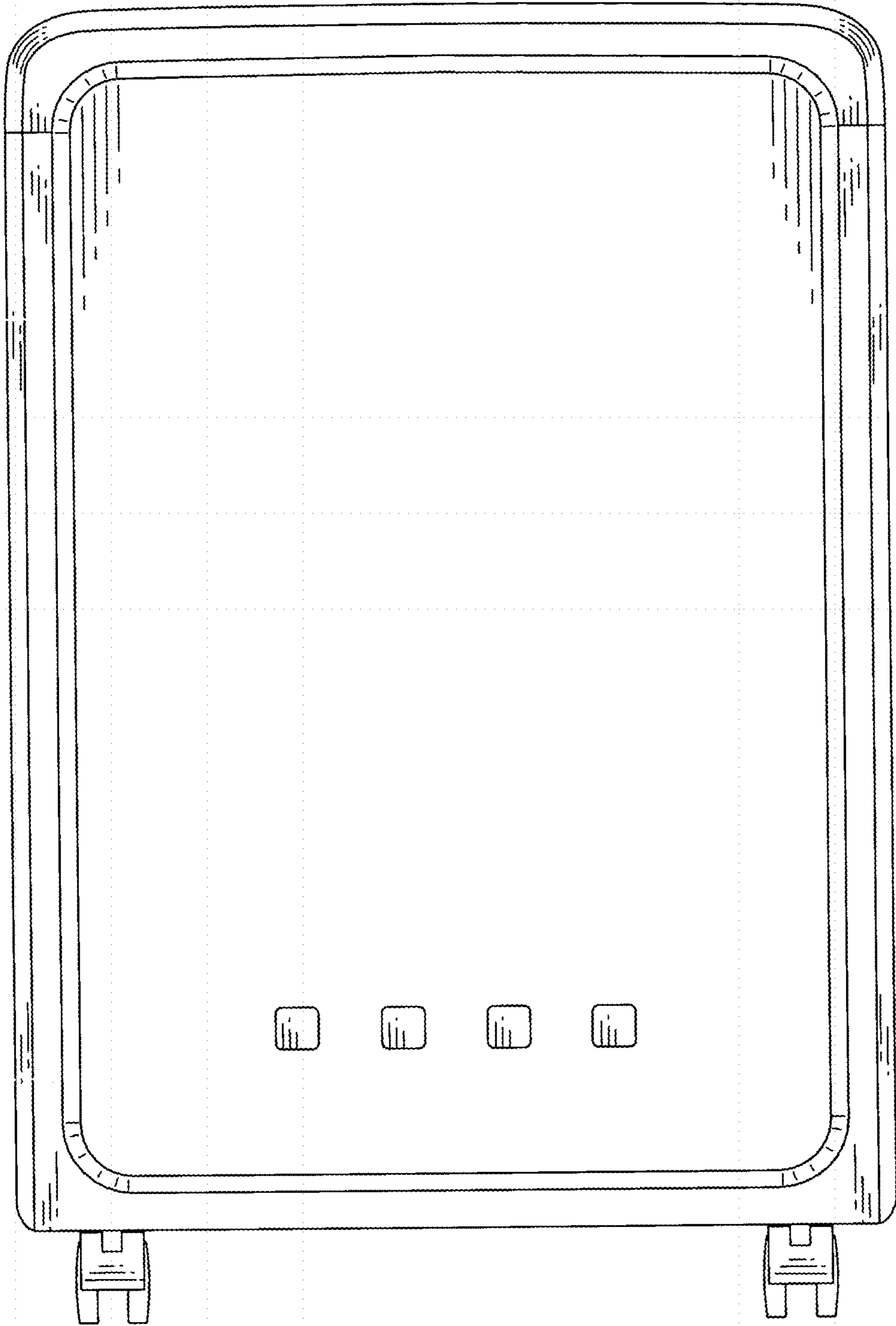


FIG. 2

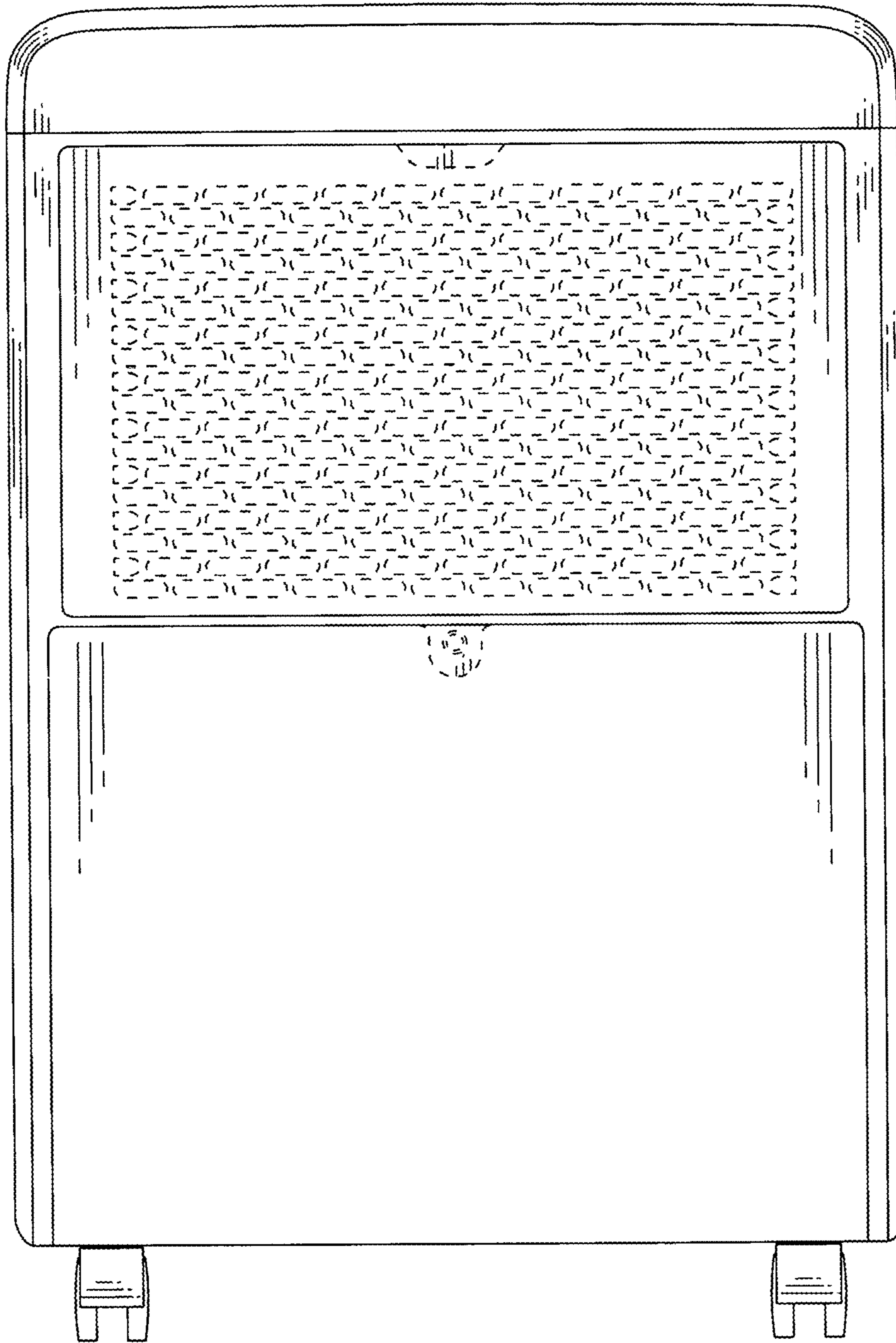


FIG. 3

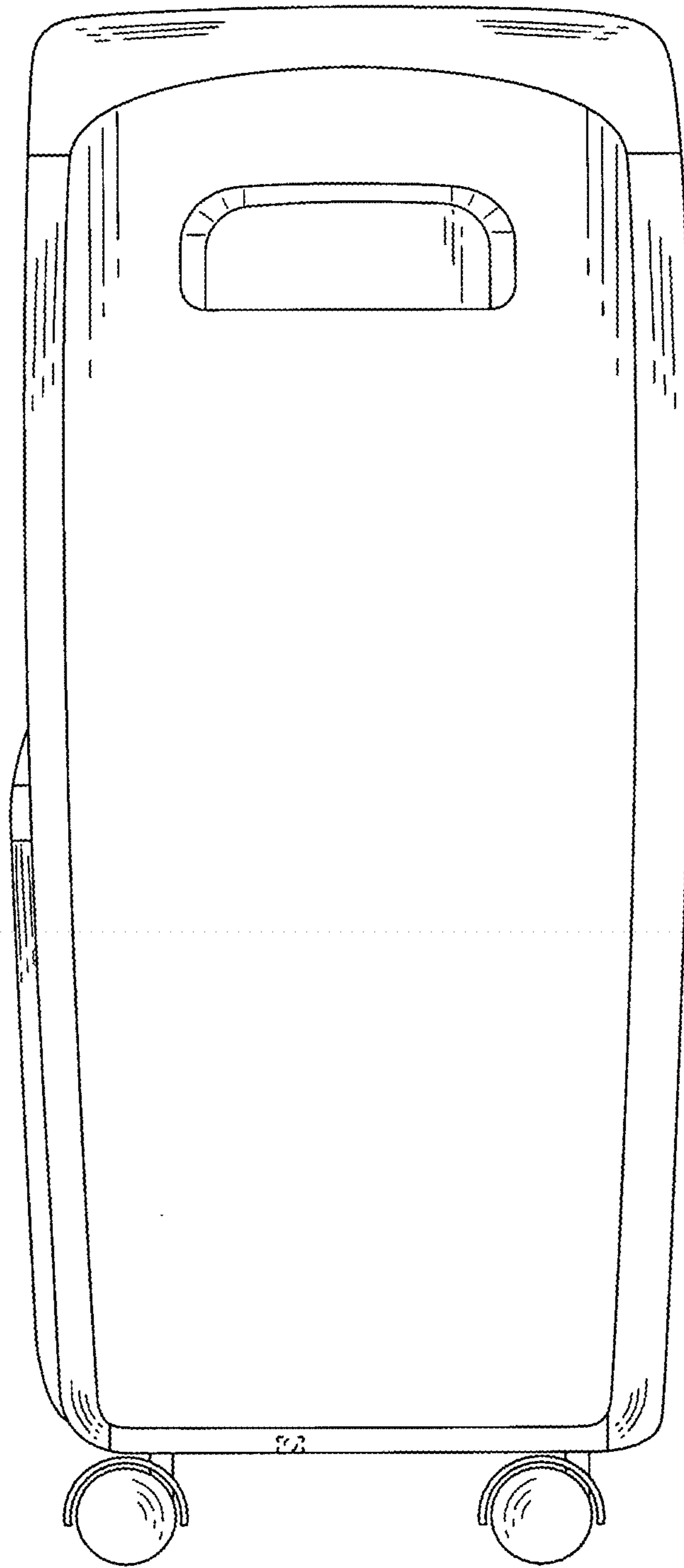


FIG. 4

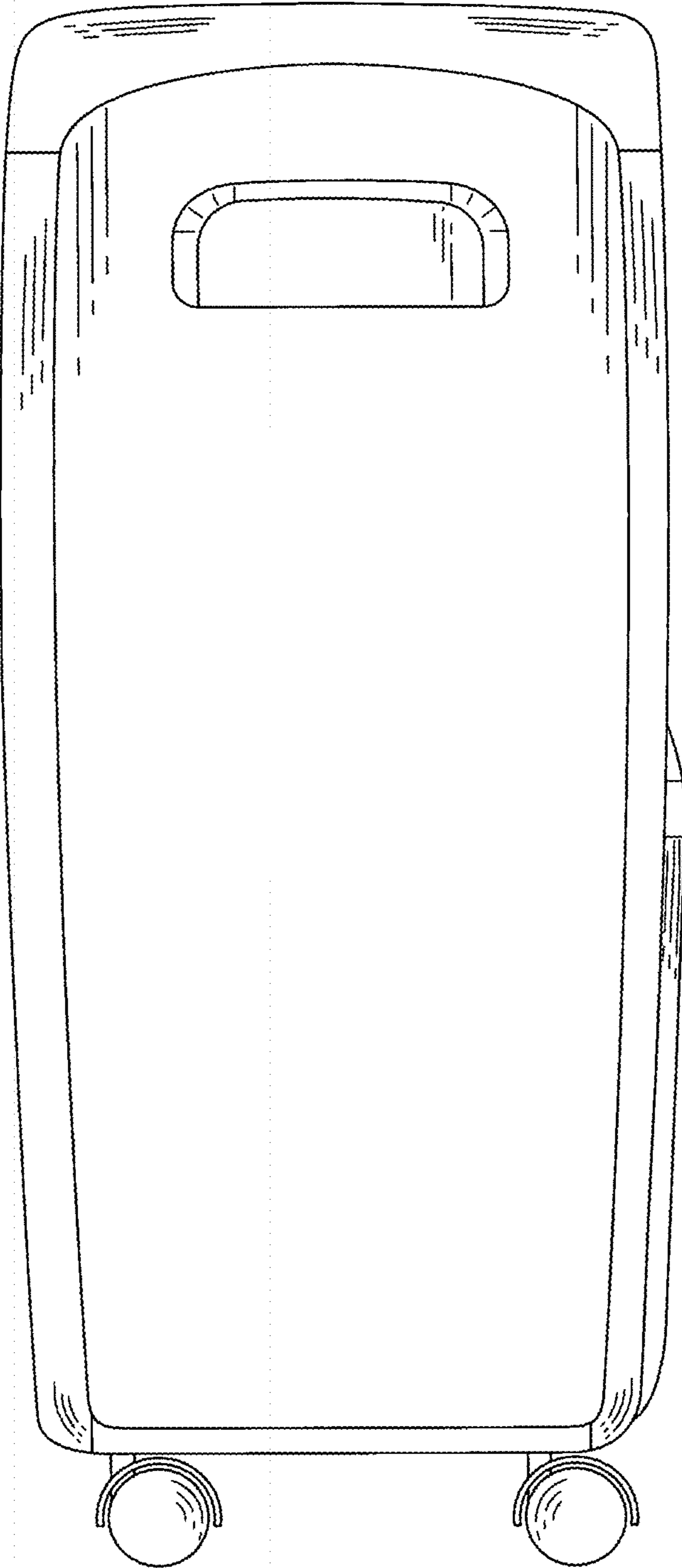


FIG. 5

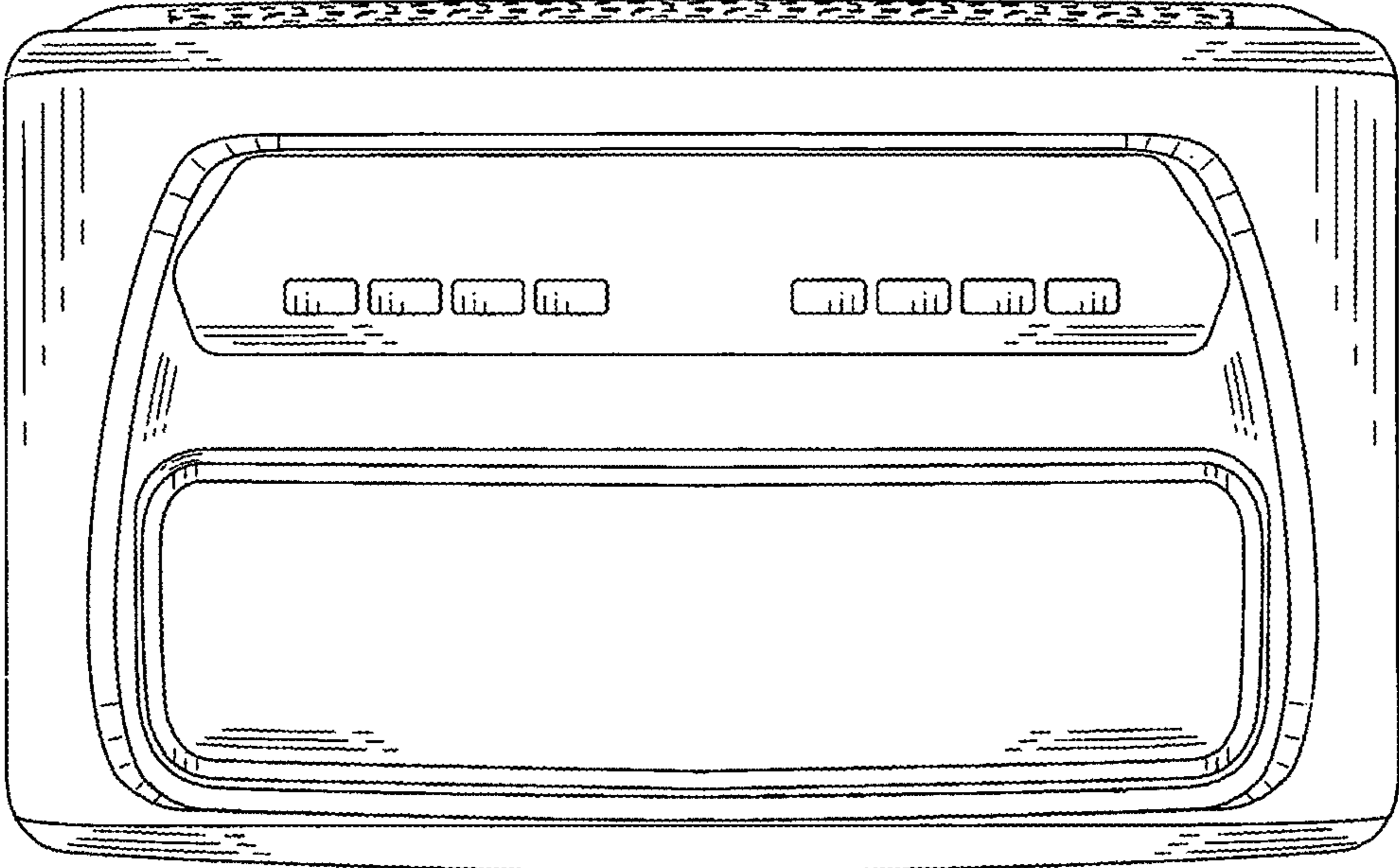


FIG. 6

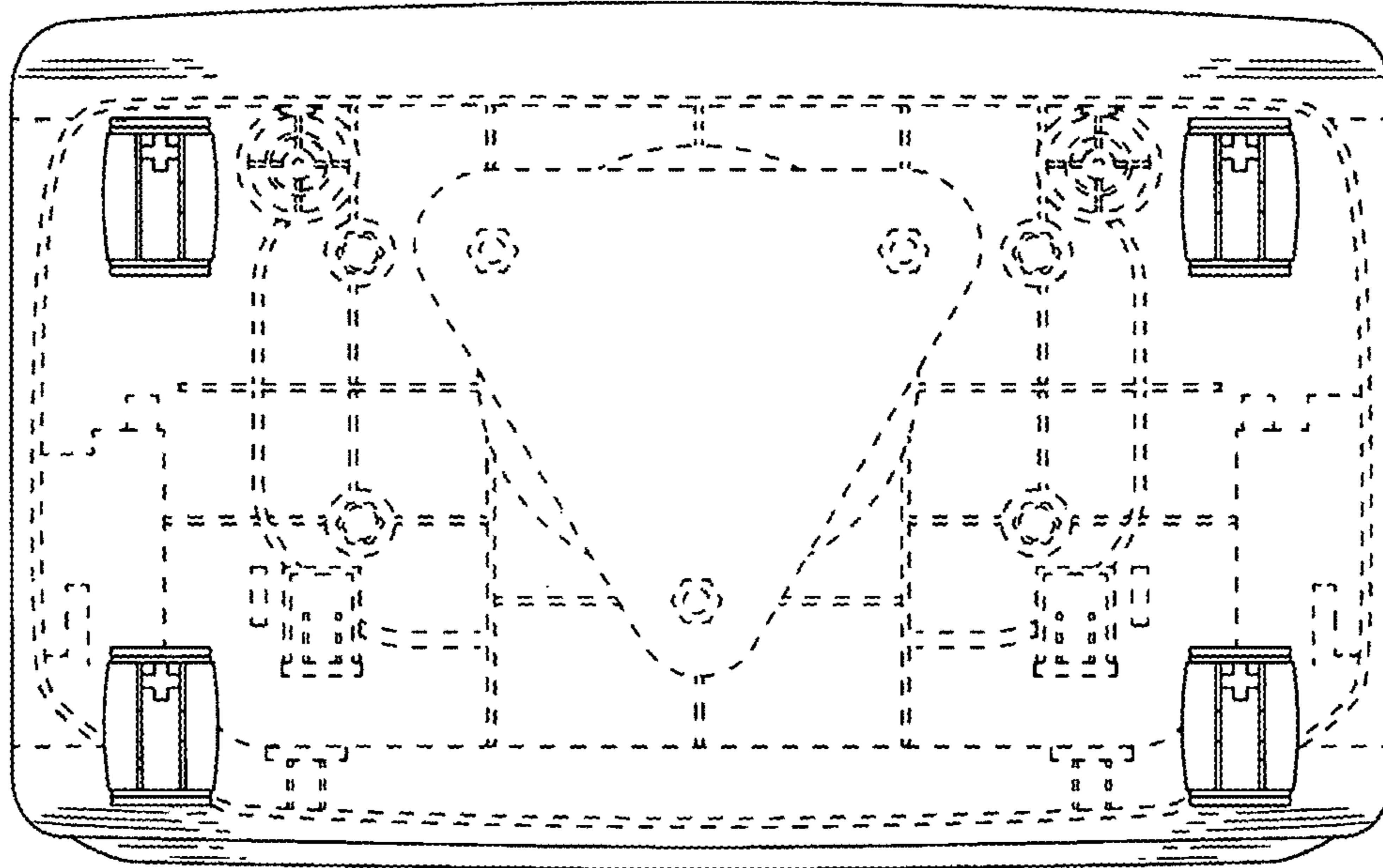


FIG. 7



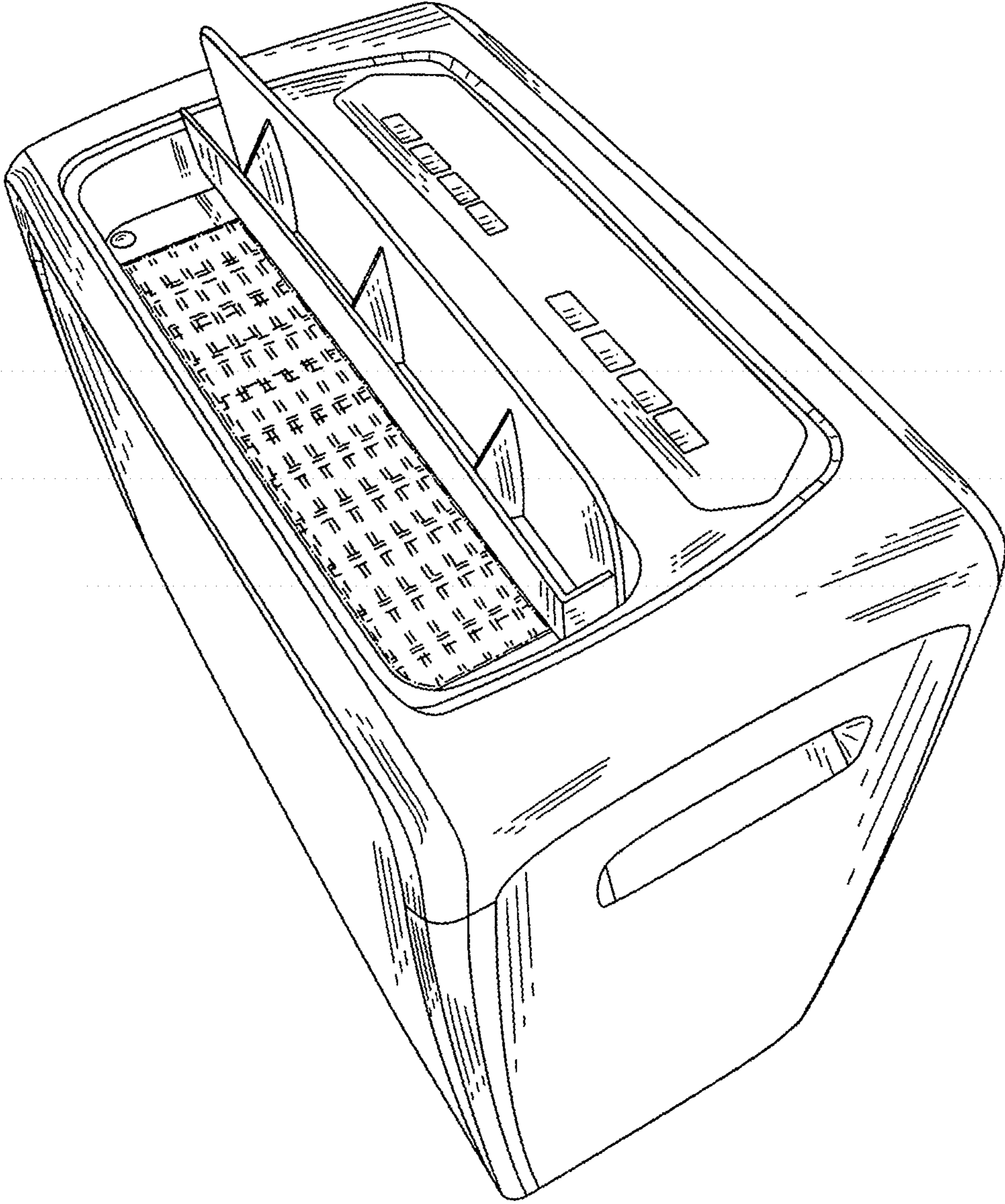


FIG. 8