



US00D935004S

(12) **United States Design Patent**  
**Palermo**

(10) **Patent No.:** **US D935,004 S**

(45) **Date of Patent:** **\*\* Nov. 2, 2021**

(54) **END CAP FOR AN OPEN END OF A FILTER HOUSING**

(71) Applicant: **Pall Corporation**, Port Washington, NY (US)

(72) Inventor: **Brian Palermo**, Dryden, NY (US)

(73) Assignee: **Pall Corporation**, Port Washington, NY (US)

(\*\*) Term: **15 Years**

(21) Appl. No.: **29/696,606**

(22) Filed: **Jun. 28, 2019**

(51) **LOC (13) Cl.** ..... **23-01**

(52) **U.S. Cl.**  
USPC ..... **D23/259**

(58) **Field of Classification Search**

USPC ..... D8/382, 387, 394, 396-397, 352, 354;  
285/402, 86-93, 114-116, 179, 388, 52,  
285/291.1-291.2, 390-391, 410;  
D23/259-261, 209, 213, 245, 249, 262,  
D23/206, 233-235; 220/257.2; 210/435,  
210/439, 449, 459, 460, 475; 52/302.1;  
138/40-41, 89, 90, 96 R, 96 T; 454/367;  
411/531, 533; 251/143, 147-148, 153,  
251/208-209

(Continued)

(56) **References Cited**

**U.S. PATENT DOCUMENTS**

4,785,963 A \* 11/1988 Magley ..... B65D 55/022  
220/266  
D317,965 S \* 7/1991 Svensson ..... D23/209  
5,184,747 A \* 2/1993 Nolte ..... B65D 39/082  
220/214  
D346,433 S \* 4/1994 Cooper ..... D23/259

(Continued)

**FOREIGN PATENT DOCUMENTS**

CN 304143488 S 5/2017  
CN 304812011 S 9/2018

(Continued)

**OTHER PUBLICATIONS**

Taiwanese Patent Office, Notice of Allowance in Counterpart Taiwanese Patent Application No. 108307241, dated May 18, 2020.

*Primary Examiner* — Amy C Wierenga

(74) *Attorney, Agent, or Firm* — Leydig, Voit & Mayer, Ltd.

(57) **CLAIM**

The ornamental design for an end cap for an open end of a filter housing, as shown and described.

**DESCRIPTION**

FIG. 1 is a front isometric view of an end cap for an open end of a filter housing of the present invention.

FIG. 2 is a top view of the end cap for an open end of a filter housing shown in FIG. 1.

FIG. 3 is a bottom view of the end cap for an open end of a filter housing shown in FIG. 1.

FIG. 4 is a side view of the end cap for an open end of a filter housing shown in FIG. 1, wherein the other side is identical.

FIG. 5 is an enlarged view of the detail shown in FIG. 4.

FIG. 6 is a front view of the end cap for an open end of a filter housing shown in FIG. 1.

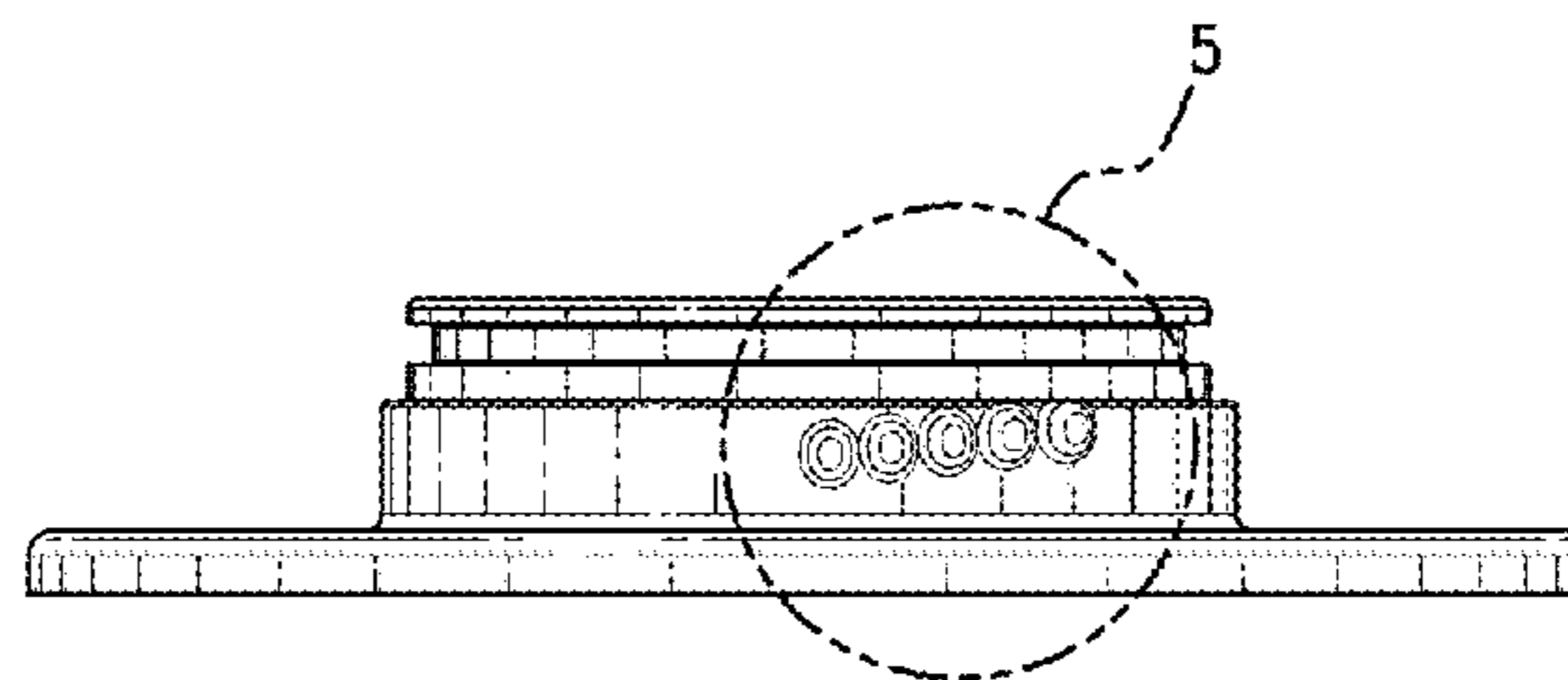
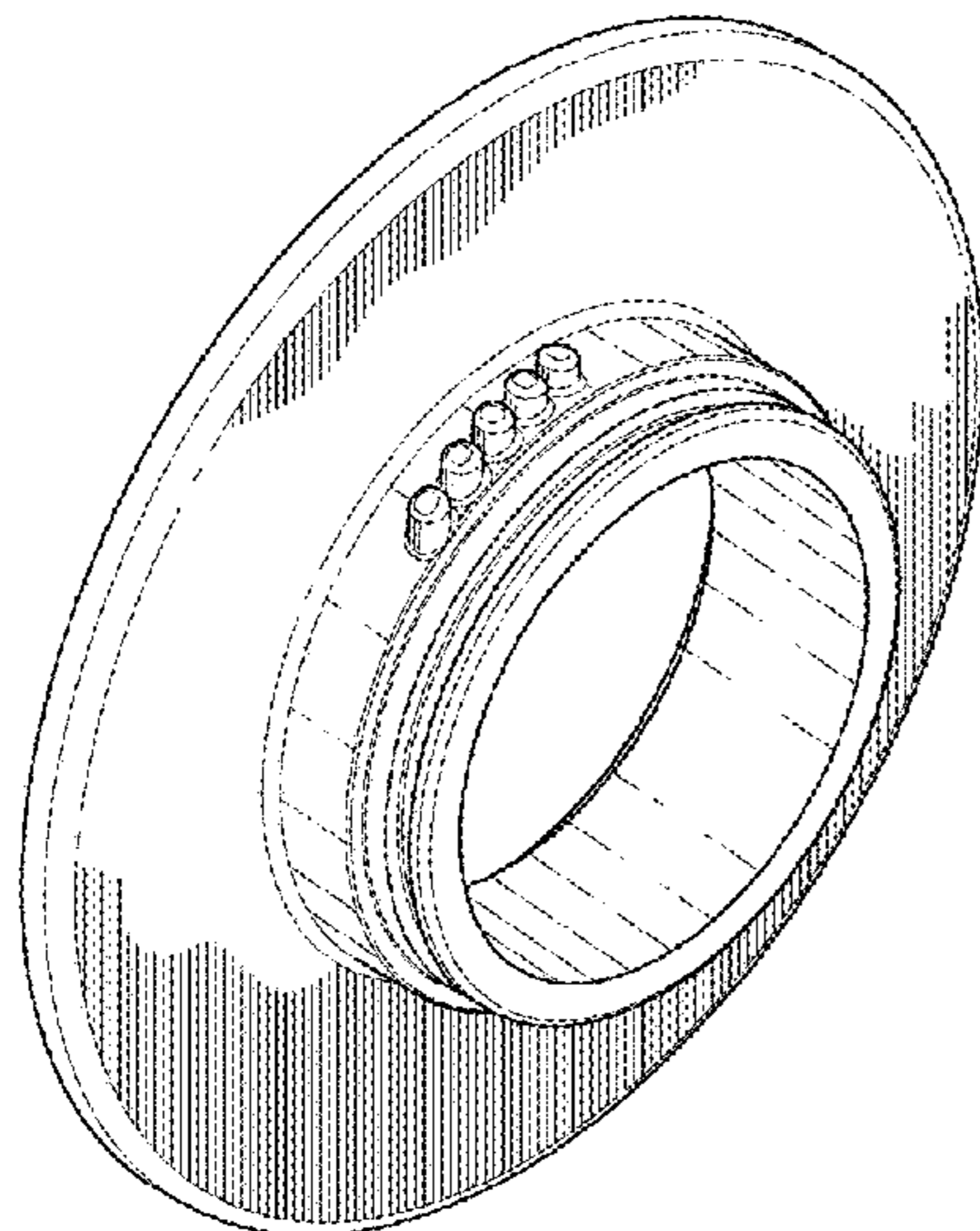
FIG. 7 is a rear view of the end cap for an open end of a filter housing shown in FIG. 1; and,

FIG. 8 is a front isometric view of the end cap for an open end of a filter housing shown in FIG. 1, shown with an environmental seal.

The dot dot dash broken line indicates cutoff boundaries for enlarged detailed portion views and forms no part of the claim.

The evenly spaced broken line showing of an environmental seal in FIG. 8 illustrates environment only that forms no part claim.

**1 Claim, 8 Drawing Sheets**



(58) **Field of Classification Search**

CPC ..... E21B 17/117; B65D 51/18; B65D 47/12;  
B01D 2201/04; B01D 35/04; E03F 5/14;  
F24F 13/082

See application file for complete search history.

(56) **References Cited**

U.S. PATENT DOCUMENTS

7,473,360 B2 \* 1/2009 Hoffman ..... B01D 29/114  
210/236  
8,333,890 B2 \* 12/2012 Wells ..... B01D 29/21  
210/335  
D678,481 S \* 3/2013 Branco ..... D23/260  
D698,017 S \* 1/2014 Modesto ..... D23/365  
D711,511 S \* 8/2014 Van Der Merwe ..... D23/249  
8,932,465 B2 \* 1/2015 Wells ..... B01D 36/006  
210/338  
D733,263 S \* 6/2015 Fujii ..... D23/262  
D777,878 S \* 1/2017 Morris ..... D23/209  
D782,000 S \* 3/2017 Morris ..... D23/209  
D793,525 S 8/2017 Morris et al.  
D806,834 S 1/2018 Schweitzer et al.  
2020/0094172 A1 \* 3/2020 Annamalai ..... B01D 29/15

FOREIGN PATENT DOCUMENTS

JP D1456661 S 12/2012  
JP 1503636 S 7/2014  
JP D1546147 S 3/2016

\* cited by examiner

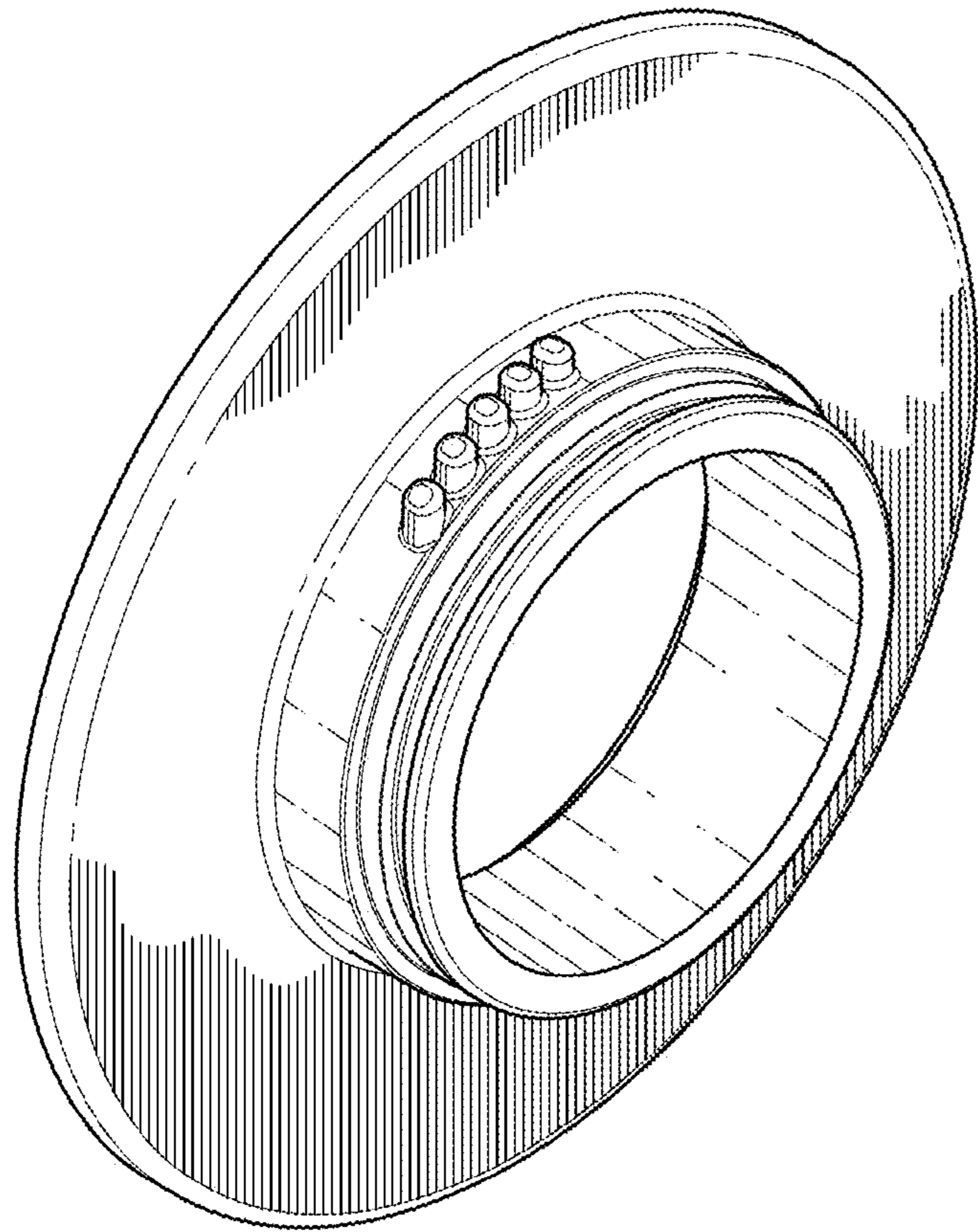


FIG. 1

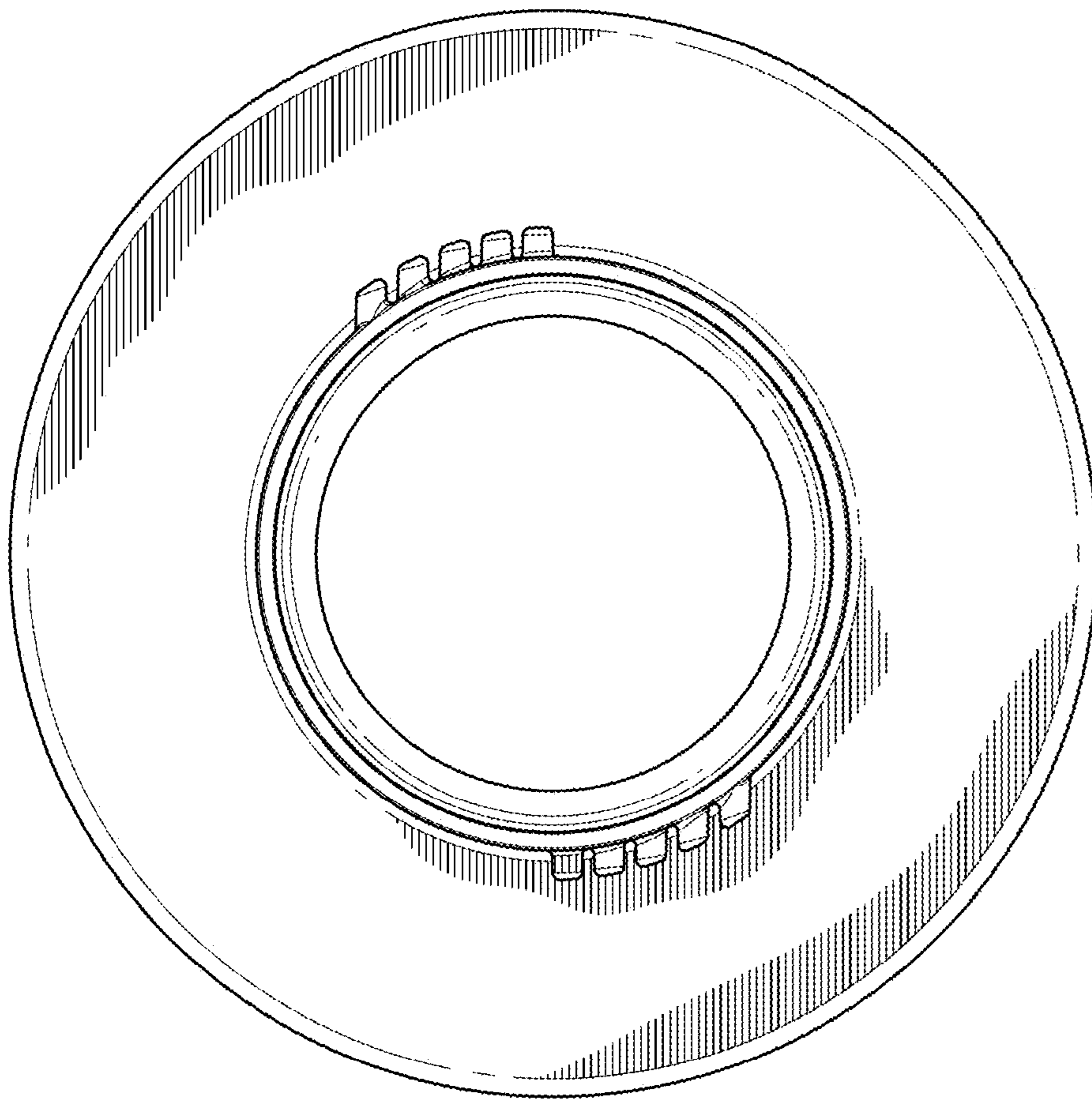


FIG. 2

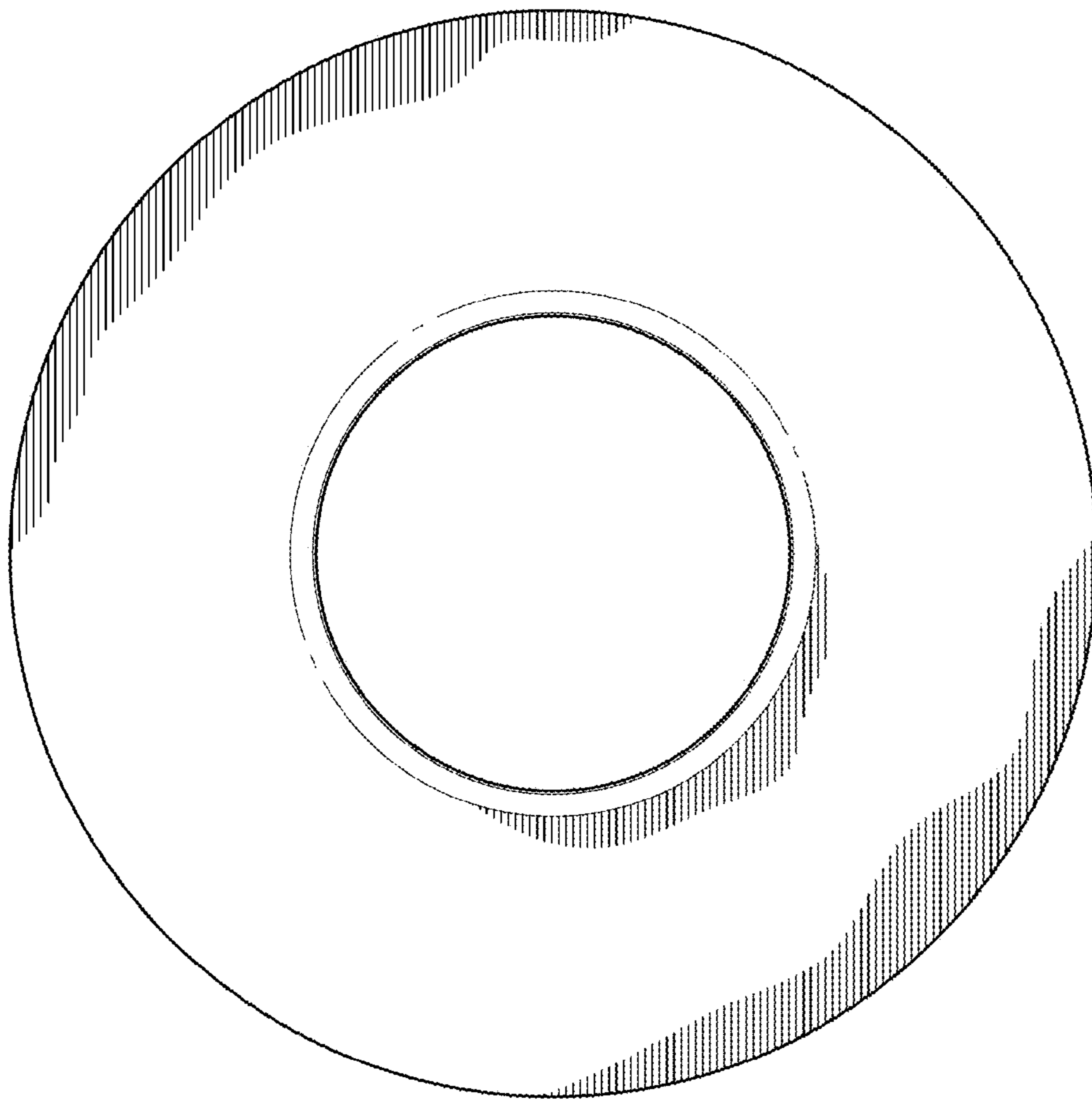


FIG. 3

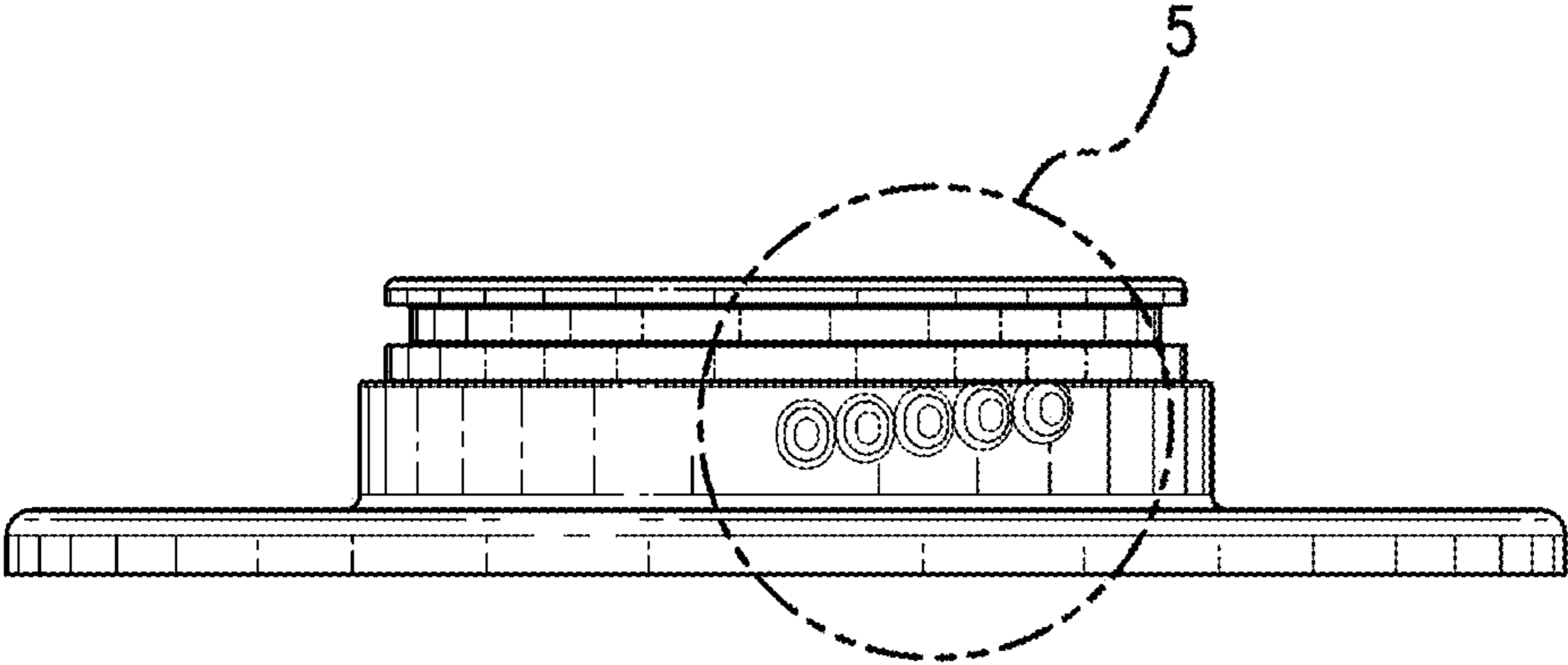


FIG. 4

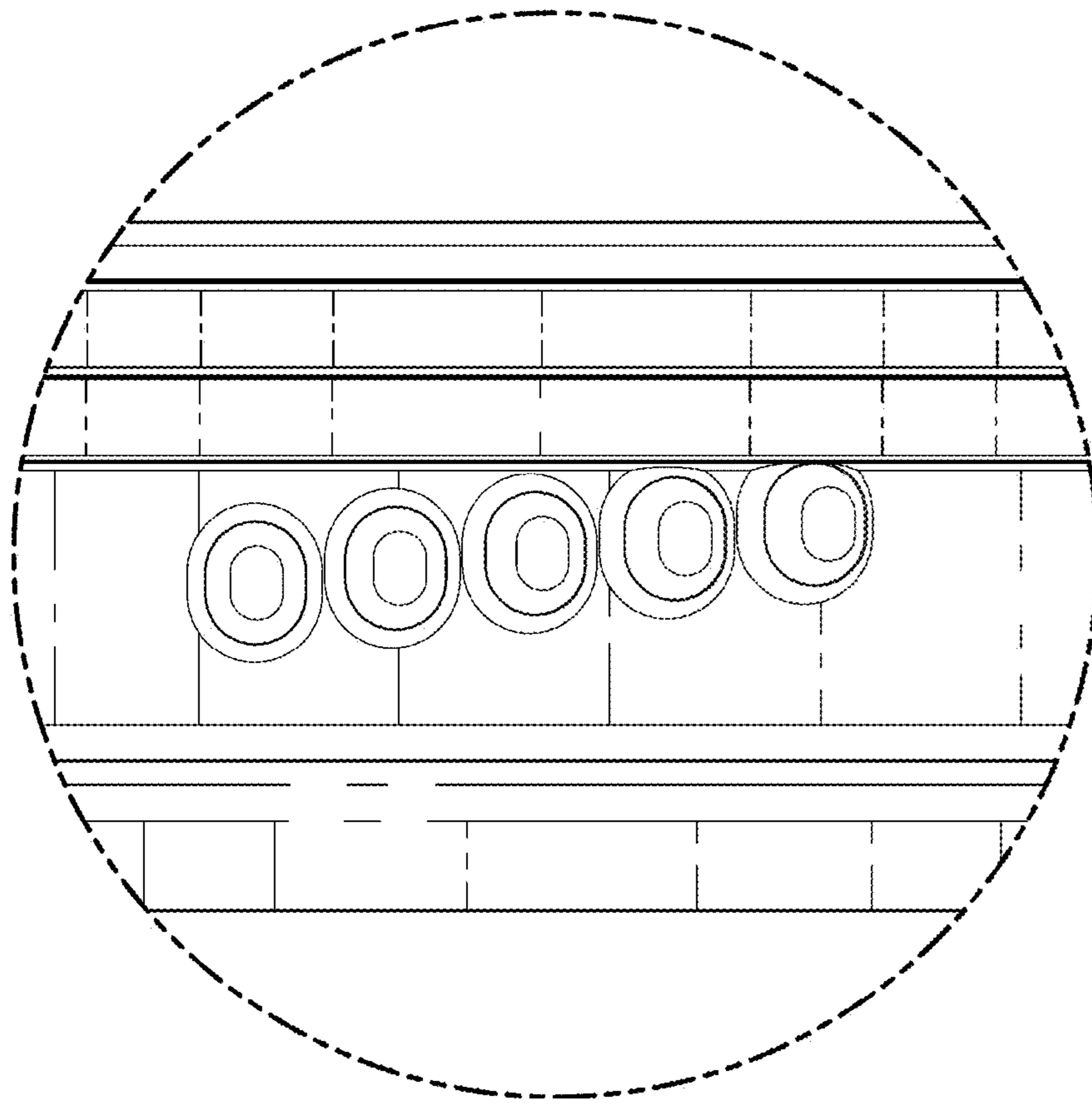


FIG. 5

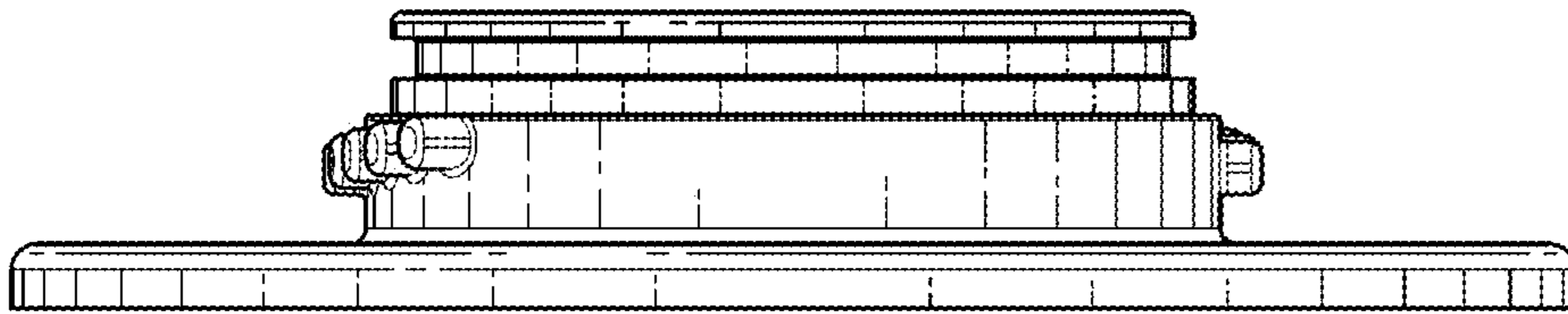


FIG. 6



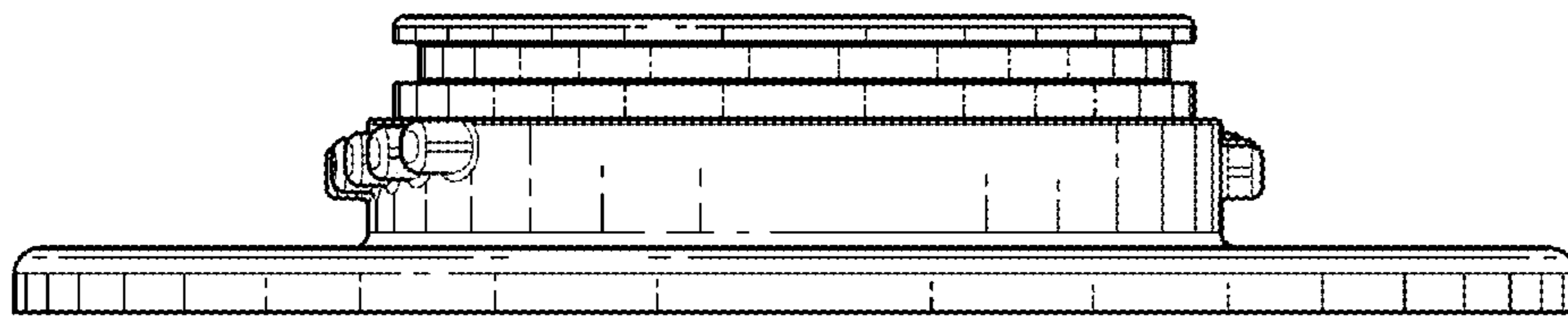


FIG. 7

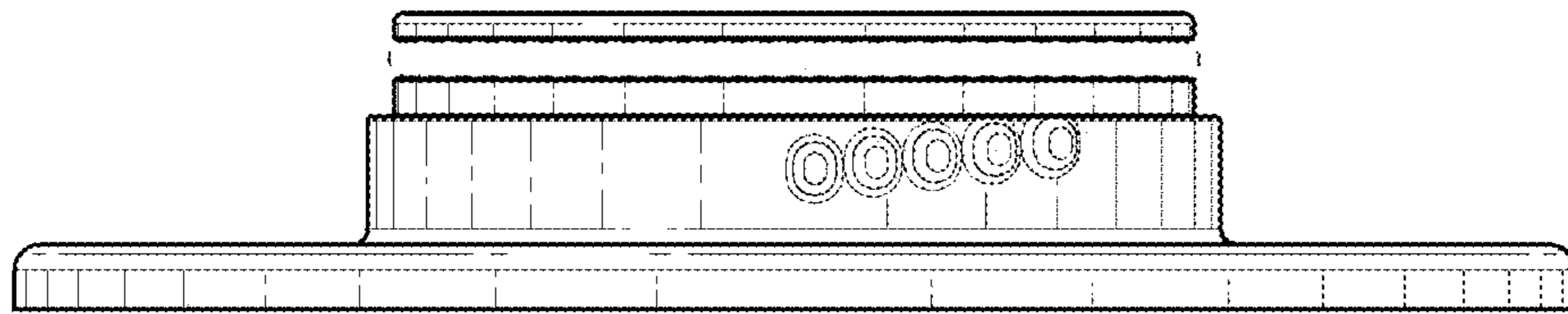


FIG. 8