



US00D935003S

(12) **United States Design Patent** (10) **Patent No.:** **US D935,003 S**  
**Soulier et al.** (45) **Date of Patent:** **\*\* Nov. 2, 2021**

(54) **SHOWER CONTROLLER**  
(71) Applicant: **Kohler Co.**, Kohler, WI (US)  
(72) Inventors: **Jean-Hugues Soulier**, Vaucresson (FR);  
**Ferran Serra Sola**, Paris (FR); **Drew Johnson**, Sheboygan, WI (US)  
(73) Assignee: **KOHLER CO.**, Kohler, WI (US)  
(\*\*) Term: **15 Years**  
(21) Appl. No.: **29/753,305**  
(22) Filed: **Sep. 30, 2020**

D311,438 S 10/1990 Strignano  
D312,495 S 11/1990 Joeger  
D354,548 S 1/1995 Bollenbacher et al.  
D377,337 S 1/1997 Schaeffer  
(Continued)

**OTHER PUBLICATIONS**

Amazon, Elli Women's Ring, posted Oct. 11, 2016, [online], [visited Aug. 23, 2019]. Internet, URL: [https://www.amazon.co.uk/El li-Womens-Sterling-Silver-Plated/dp/B01 LPS P KCI/ref=sr \\_ 1\\_79?keywords=hexagon+ring&qid = 1566577892&s=gateway&sr= 8-79](https://www.amazon.co.uk/El-li-Womens-Sterling-Silver-Plated/dp/B01LPSPKCI/ref=sr_1_79?keywords=hexagon+ring&qid=1566577892&s=gateway&sr=8-79) ( Year: 2016).

(Continued)

*Primary Examiner* — Robert A Delehanty

(74) *Attorney, Agent, or Firm* — Foley & Lardner LLP

**Related U.S. Application Data**

(62) Division of application No. 29/641,459, filed on Mar. 22, 2018, now Pat. No. Des. 901,638, which is a division of application No. 29/595,290, filed on Feb. 27, 2017, now Pat. No. Des. 823,440.

(51) **LOC (13) Cl.** ..... **23-01**

(52) **U.S. Cl.**  
USPC ..... **D23/254**

(58) **Field of Classification Search**  
USPC ..... D23/250–252, 254; D8/307–308  
CPC ..... Y10T 137/9464; Y10T 137/6014; Y10T 137/6017  
See application file for complete search history.

(56) **References Cited**

**U.S. PATENT DOCUMENTS**

D59,314 S 10/1921 Winsen  
D63,931 S 2/1924 Bowden  
D110,995 S 8/1938 Bellem, Jr.  
D127,734 S 6/1941 Dreyfuss  
D254,265 S 2/1980 Karamian  
4,499,630 A 2/1985 Harris  
D279,213 S 6/1985 Paul  
D292,820 S 11/1987 Kemp  
D310,862 S 9/1990 Strignano  
D310,865 S 9/1990 Strignano

(57) **CLAIM**

We claim the ornamental design for a shower controller, as shown and described.

**DESCRIPTION**

FIG. 1 is a top, front, right perspective view of the claimed design;

FIG. 2 is a front elevation view thereof;

FIG. 3 is a top plan view thereof;

FIG. 4 is a right side elevation view thereof;

FIG. 5 is a left side elevation view thereof;

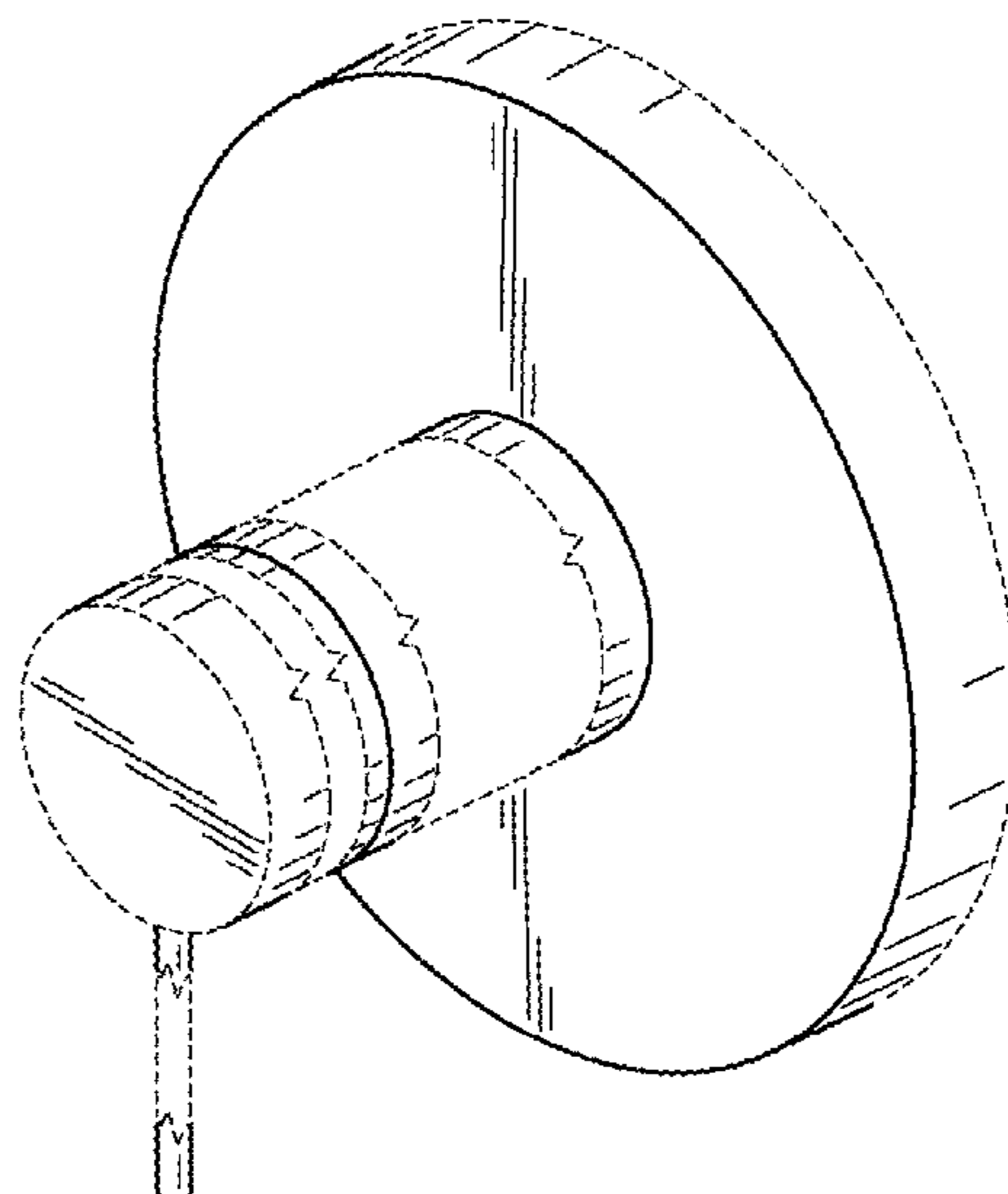
FIG. 6 is a rear elevation view thereof; and,

FIG. 7 is a bottom plan view thereof.

The ornamental design which is claimed is shown in solid lines in the drawings. The broken lines in the drawings are for illustrative purposes only and form no part of the claimed design. Broken lines formed by equal length dashes show unclaimed subject matter. Broken lines formed by unequal length dashes (i.e., dash-dot) define bounds of the claimed design.

The appearance of any portion of the article between the broken away symbols forms no part of the claimed design.

**1 Claim, 4 Drawing Sheets**



(56)

References Cited

U.S. PATENT DOCUMENTS

D441,059 S 4/2001 Fleischmann  
 D441,844 S 5/2001 Fleischmann  
 D441,845 S 5/2001 Fleischmann  
 D442,263 S 5/2001 Warshawsky et al.  
 D454,513 S 3/2002 Gueit  
 D462,421 S 9/2002 Hundley  
 D466,977 S 12/2002 Cummings  
 D467,489 S 12/2002 Rubinson  
 D469,157 S 1/2003 Lobermeier  
 D479,309 S 9/2003 Haug et al.  
 D487,586 S 3/2004 Haug et al.  
 D487,924 S 3/2004 Lin  
 D490,881 S 6/2004 Lin  
 D513,060 S 12/2005 Ouyoung  
 D516,677 S 3/2006 Haug et al.  
 D526,883 S 8/2006 Gilbert  
 D527,794 S 9/2006 Sieger  
 D528,189 S 9/2006 Kulig  
 D531,277 S 10/2006 Tsai  
 D531,698 S 11/2006 Wood et al.  
 D531,702 S 11/2006 Haug et al.  
 D535,725 S 1/2007 Chu et al.  
 D536,065 S 1/2007 Wang  
 D541,383 S 4/2007 Green  
 D541,909 S 5/2007 Schonherr et al.  
 D542,384 S 5/2007 Starck  
 D543,609 S 5/2007 Dolan  
 D548,563 S 8/2007 Hoernig  
 D564,073 S 3/2008 Shieh  
 D568,447 S 5/2008 Lai  
 D568,715 S 5/2008 Gustafson et al.  
 D571,893 S 6/2008 Celli  
 D580,014 S 11/2008 Citterio  
 D581,026 S 11/2008 Citterio  
 D581,494 S 11/2008 Dolan et al.  
 D584,798 S 1/2009 Zetsche et al.  
 D584,799 S 1/2009 Zetsche et al.  
 D592,284 S 5/2009 Lammel et al.  
 D592,733 S 5/2009 Lammel et al.  
 D594,934 S 6/2009 Vu et al.  
 D597,175 S 7/2009 Kulig  
 D597,632 S 8/2009 Obara et al.  
 D598,072 S 8/2009 Zetsche et al.  
 D602,570 S 10/2009 Lammel et al.  
 D603,022 S 10/2009 Schonherr  
 D608,863 S 1/2010 Pan  
 D615,162 S 5/2010 Pan  
 D622,820 S 8/2010 Bouroullec et al.  
 D624,991 S 10/2010 Kulig  
 D627,858 S 11/2010 Hanna  
 D627,861 S 11/2010 Sandee  
 D631,726 S 2/2011 Sanchez  
 D635,651 S 4/2011 Schonherr et al.  
 D636,061 S 4/2011 Kulig  
 D636,062 S 4/2011 Rubin et al.  
 D637,271 S 5/2011 Lin  
 D641,456 S 7/2011 Bickerstaffe et al.  
 D643,095 S 8/2011 Matsuura et al.  
 D644,912 S 9/2011 Benhold  
 D655,786 S 3/2012 Fukasawa

D666,276 S 8/2012 Fritz  
 D673,652 S 1/2013 Thomas  
 D676,531 S 2/2013 Vibe-Petersen  
 D697,589 S 1/2014 Georgeson  
 D698,420 S 1/2014 Hahn  
 D704,802 S 5/2014 Hahn et al.  
 D705,892 S 5/2014 Standefer et al.  
 D713,008 S 9/2014 Citterio  
 D713,236 S 9/2014 Park  
 D714,915 S 10/2014 Von Der Lancken et al.  
 D722,259 S 2/2015 Conner  
 D724,698 S 3/2015 Kulig  
 D726,883 S 4/2015 Flowers et al.  
 D735,297 S 7/2015 Sieger  
 D750,203 S 2/2016 Flowers et al.  
 D754,295 S 4/2016 Lord  
 D755,350 S 5/2016 Rexach  
 D755,352 S 5/2016 Mitsuoka  
 D758,545 S 6/2016 Yabu et al.  
 D761,387 S 7/2016 Yabu et al.  
 D767,724 S 9/2016 Flowers et al.  
 D769,417 S 10/2016 Rexach  
 D771,224 S 11/2016 Flowers et al.  
 D772,037 S 11/2016 Zimmer  
 D781,126 S 3/2017 Pionek  
 D786,406 S 5/2017 Schoenherr et al.  
 D787,020 S 5/2017 Ziemann et al.  
 D787,638 S 5/2017 Schoenherr et al.  
 D793,534 S 8/2017 Fritz  
 D803,989 S 11/2017 Flowers et al.  
 D807,476 S 1/2018 Haug et al.  
 D811,529 S 2/2018 Schoenherr et al.  
 D811,532 S 2/2018 Schoenherr et al.  
 D811,552 S 2/2018 Fritz  
 D813,988 S 3/2018 Schoenherr et al.  
 D813,990 S 3/2018 Schoenherr et al.  
 D820,238 S 6/2018 Boshernitzan  
 D827,456 S 9/2018 Seum  
 D855,762 S 8/2019 Stuart  
 D879,055 S 3/2020 Altonen  
 D882,891 S 4/2020 Ayers  
 D890,754 S 7/2020 Raken

OTHER PUBLICATIONS

Amazon, JewelryWE Multi faceted ring, posted Jul. 13, 2013, [online], [visited Aug. 23, 2019]. Internet, URL: [https://www.amazon.co.uk/JewelryWe-Arrivals-Comfort-Faceted-Engagement/dp/B00DU9FOUE/ref=cm\\_cr\\_arp\\_d\\_pdt\\_img\\_top?ie=UTF8](https://www.amazon.co.uk/JewelryWe-Arrivals-Comfort-Faceted-Engagement/dp/B00DU9FOUE/ref=cm_cr_arp_d_pdt_img_top?ie=UTF8) (Year: 2013).  
 Amazon, Tioneer Multi-faceted wedding band, posted Oct. 24, 2012, [online], [visited Aug. 23, 2019]. Internet, URL: [https://www.amazon.co.uk/Tungsten-Carbide-Polish-Multi-Faceted-Wedding/dp/B005IRP244/ref=cm\\_cr\\_arp\\_d\\_pdt\\_img\\_top?ie=UTF8](https://www.amazon.co.uk/Tungsten-Carbide-Polish-Multi-Faceted-Wedding/dp/B005IRP244/ref=cm_cr_arp_d_pdt_img_top?ie=UTF8) (Year: 2012).  
 Hotel Management, Classy faucet: The Wheel by Waterstone, posted Sep. 29, 2016, [online], [visited Aug. 23, 2019]. Internet, URL: <https://www.hotelmanagement.net/design-trends/classy-faucet-wheel-by-waterstone> (Year: 2016).  
 Non-Final Office Action on U.S. Appl. No. 29/658,297 dated Sep. 5, 2019 (9 pages).  
 NPL\_ALLMODERN\_SINGLE\_HANDLE; 6 pgs.  
 NPL\_ALLMODERN\_SINGLE\_HANDLE\_BATHROOM; 6pgs.

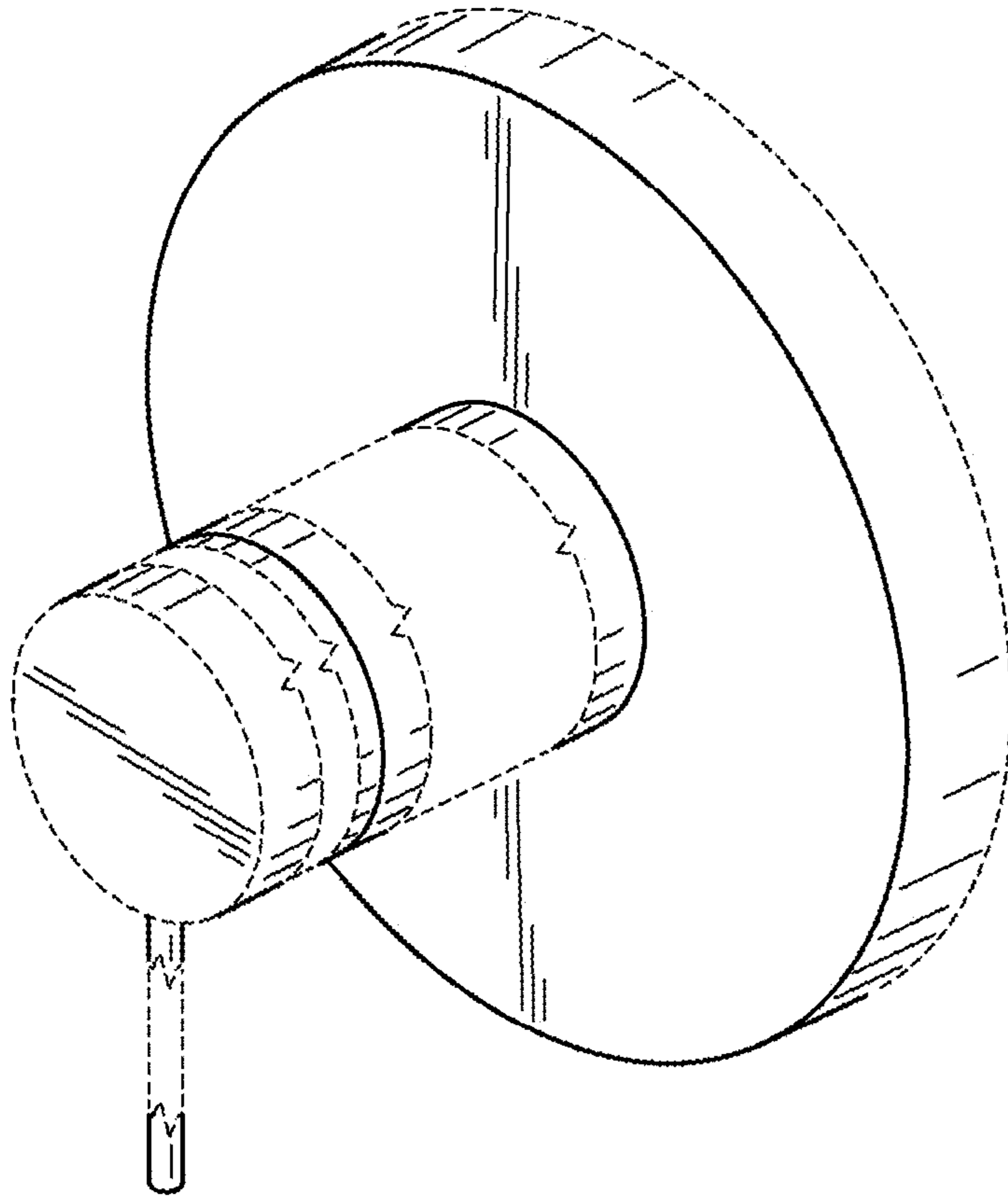


FIG. 1

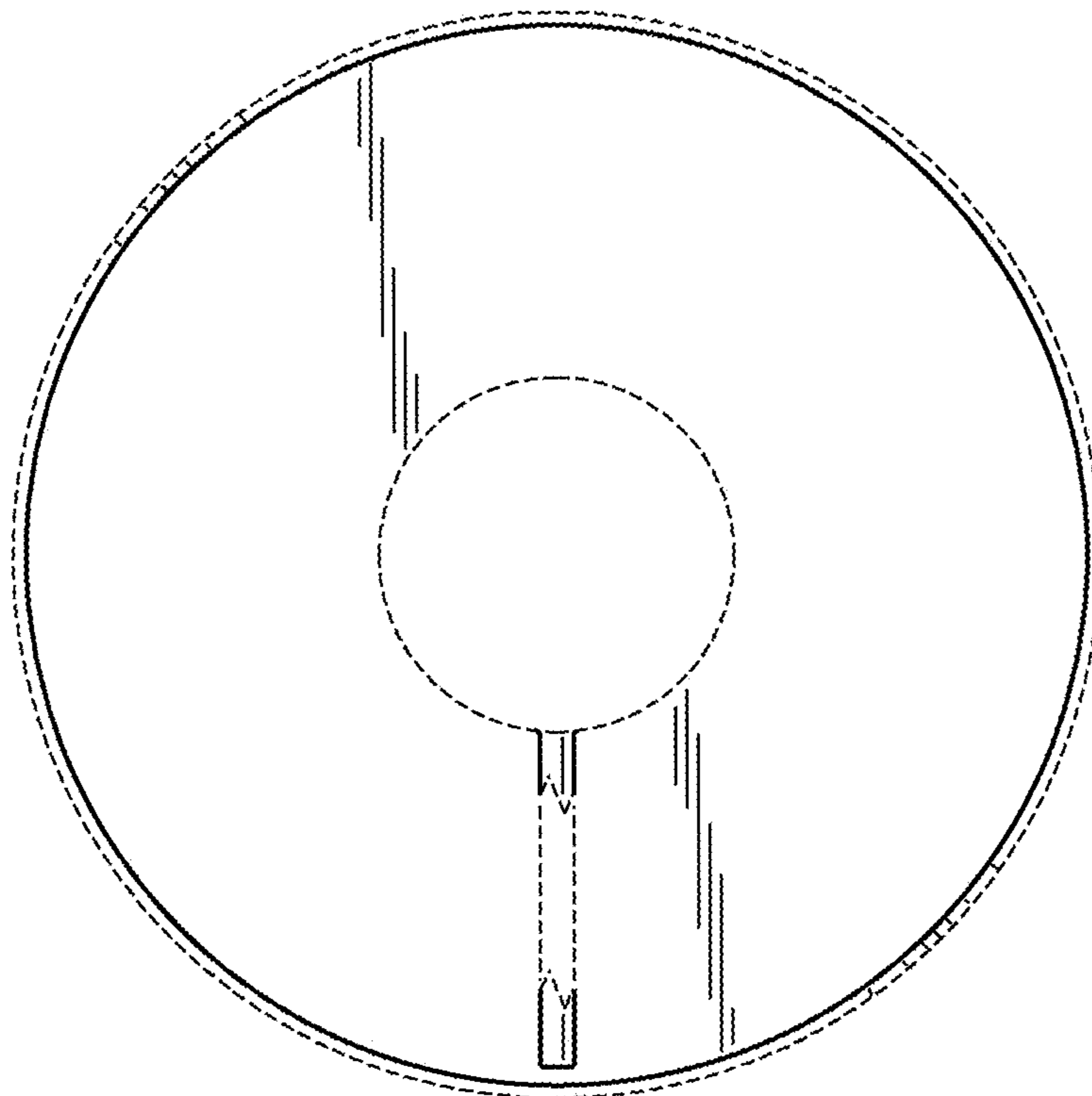


FIG. 2

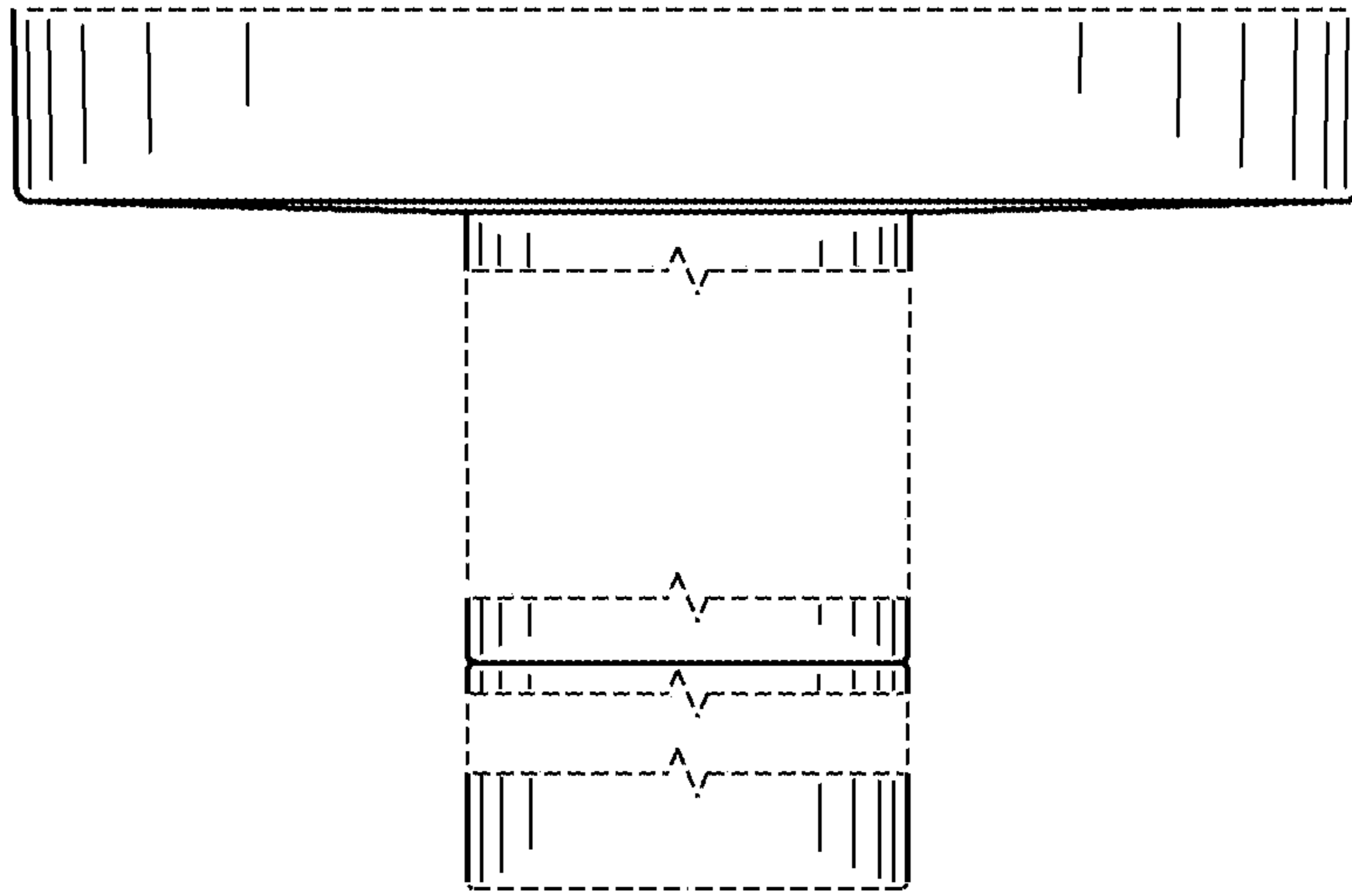


FIG. 3

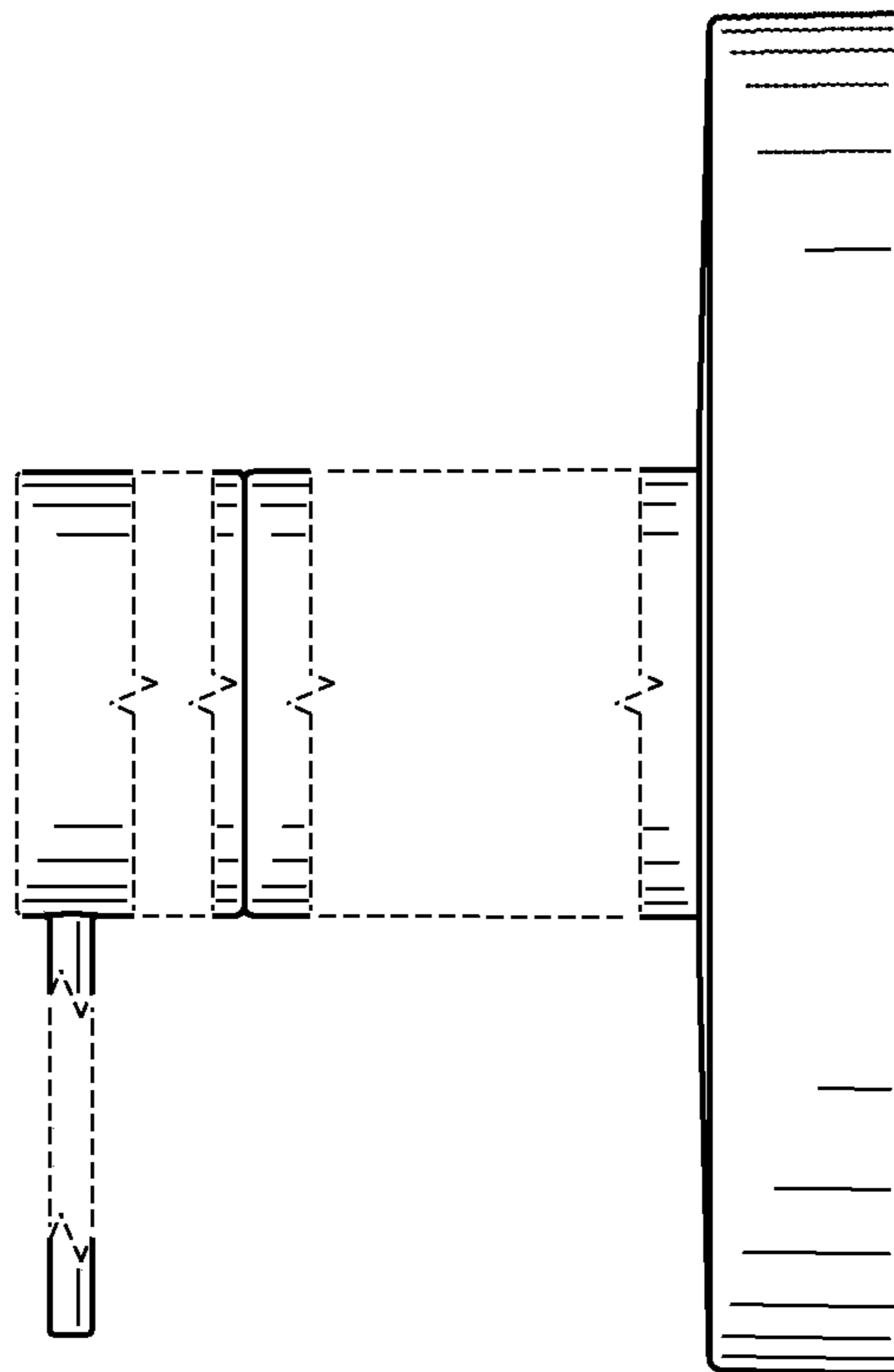


FIG. 4

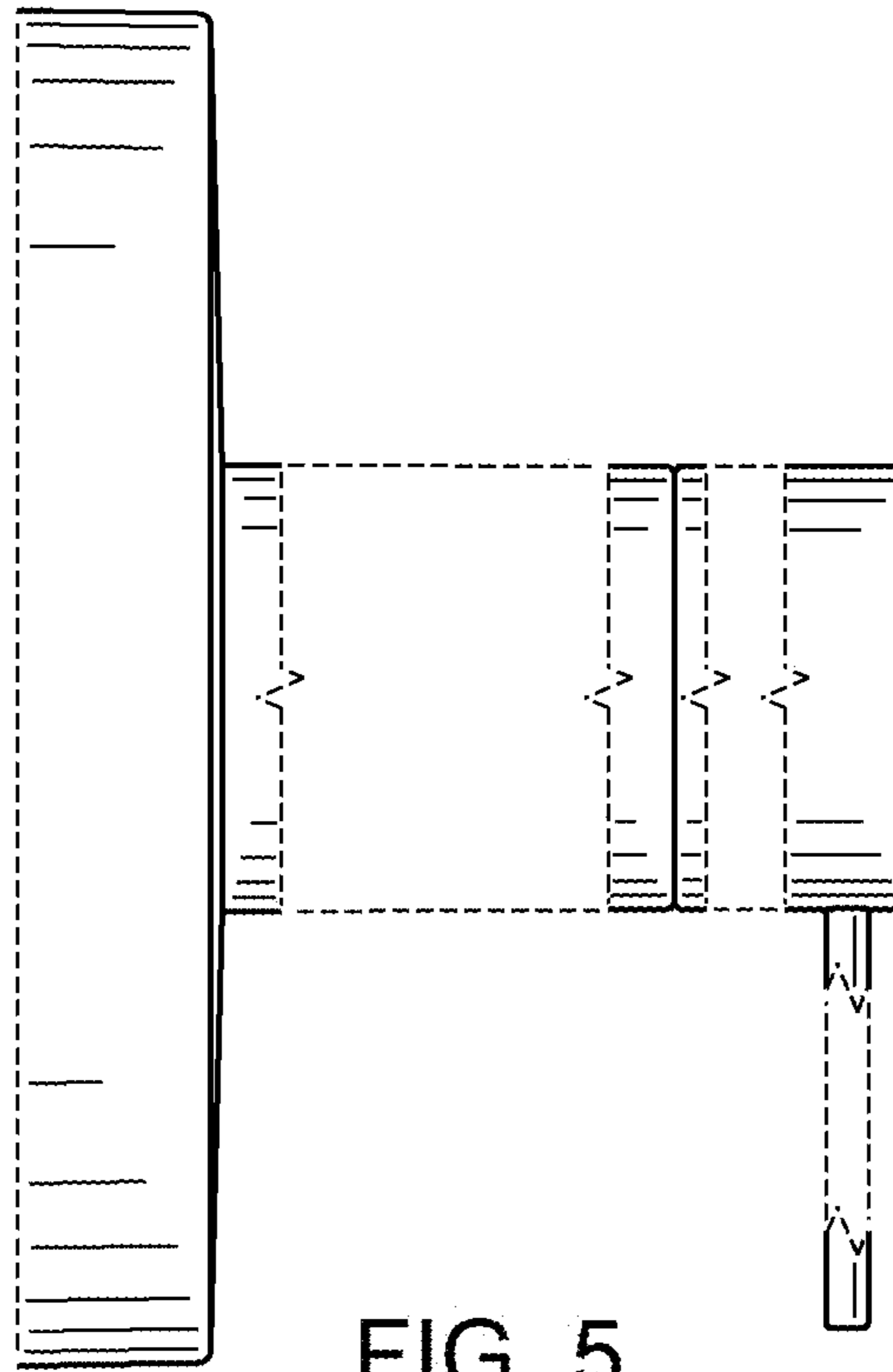


FIG. 5

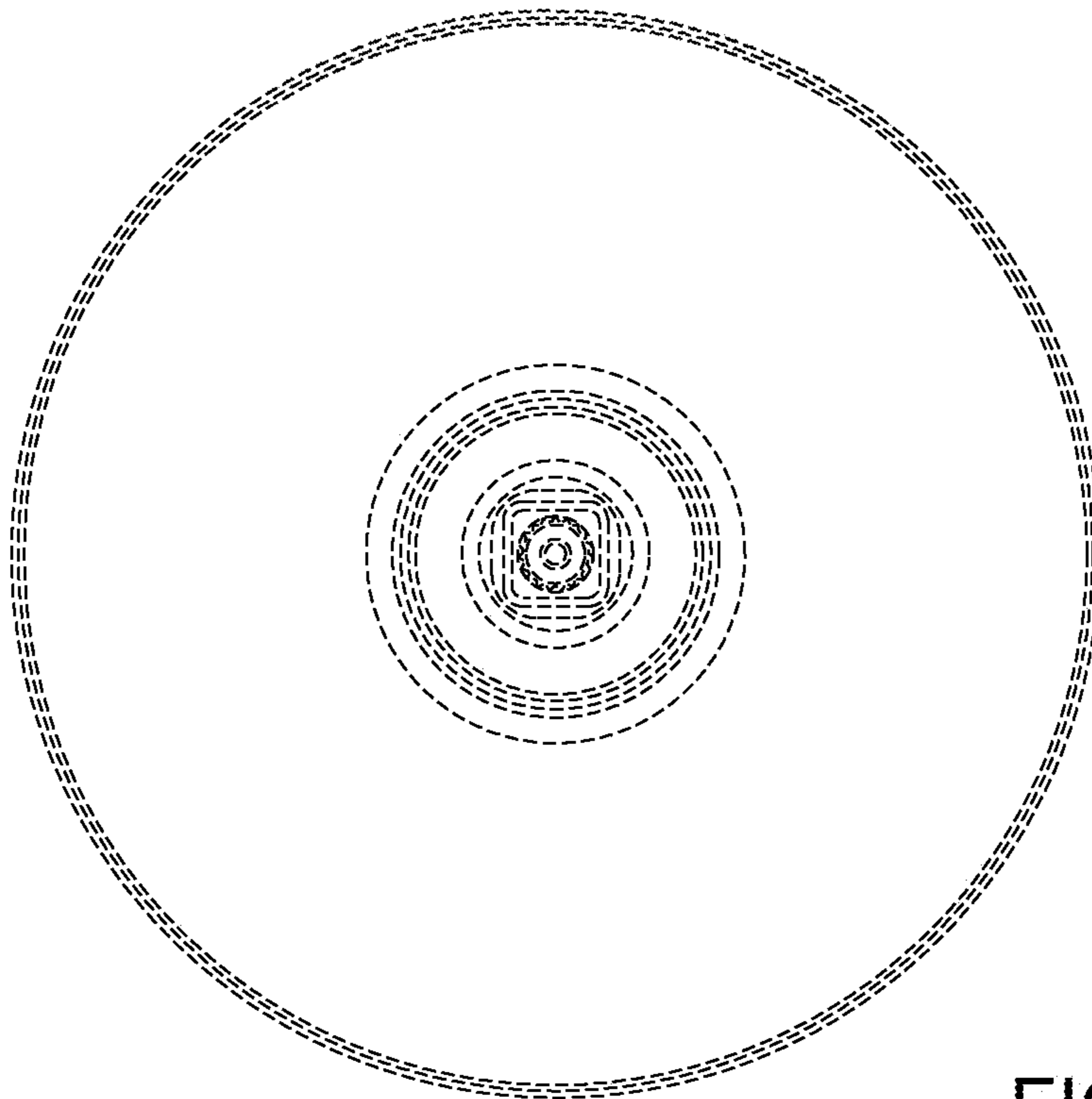


FIG. 6

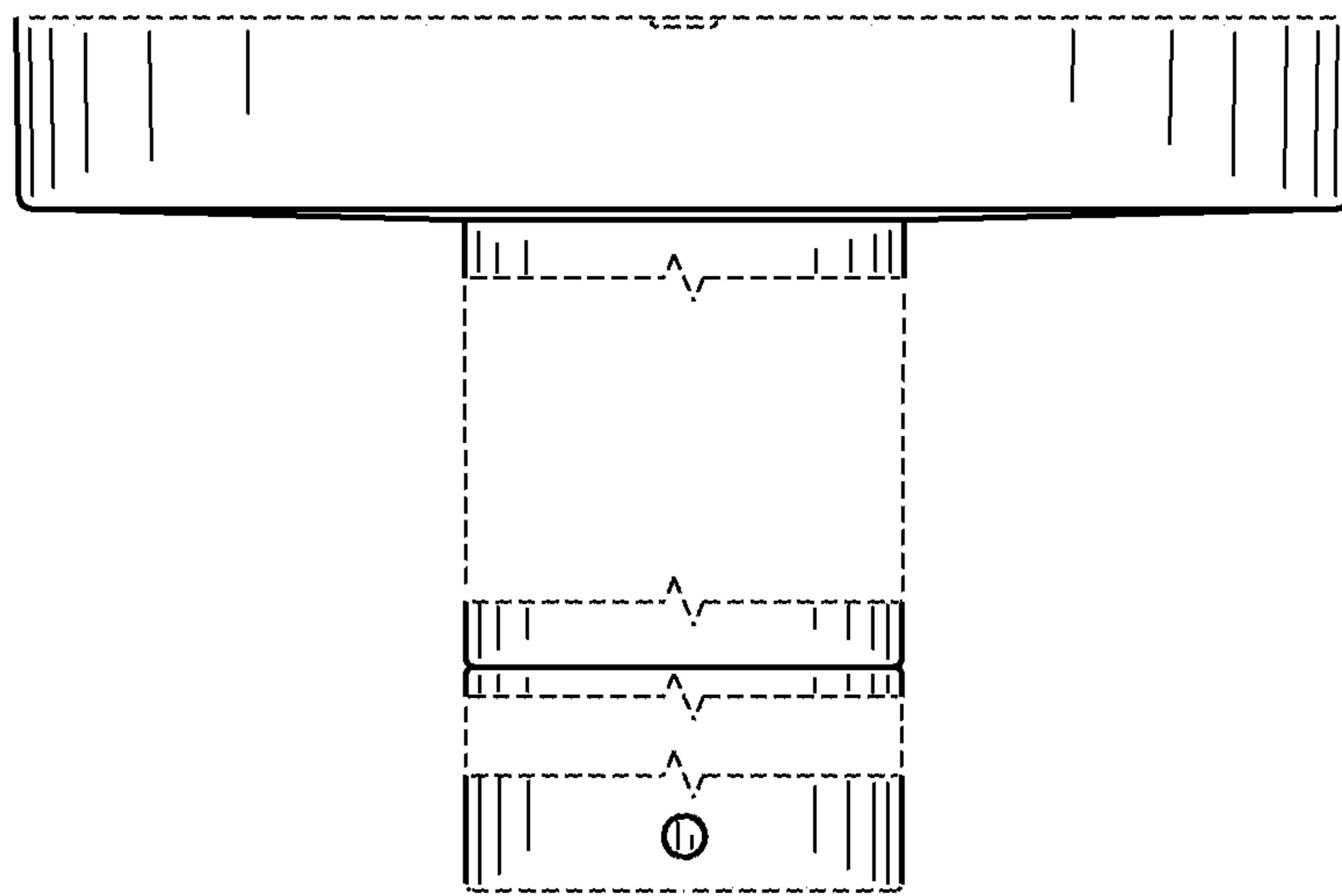


FIG. 7