



US00D935002S

(12) **United States Design Patent** (10) **Patent No.:** **US D935,002 S**
Qi (45) **Date of Patent:** **** Nov. 2, 2021**

(54) **FAUCET HANDLE**
(71) Applicant: **Jing Qi**, Kaiping (CN)
(72) Inventor: **Jing Qi**, Kaiping (CN)
(**) Term: **15 Years**
(21) Appl. No.: **29/693,405**

(22) Filed: **Jun. 3, 2019**
(51) **LOC (13) Cl.** **23-01**
(52) **U.S. Cl.**
USPC **D23/252**
(58) **Field of Classification Search**
USPC D23/255, 257, 238-243, 250, 252, 254
CPC E03C 1/042
See application file for complete search history.

(56) **References Cited**

U.S. PATENT DOCUMENTS

D460,999 S *	7/2002	Lord	D23/252
D522,632 S *	6/2006	Spangler	D23/252
D608,861 S *	1/2010	Fritz	D23/250
D849,203 S *	5/2019	Zhang	D23/238
D913,428 S *	3/2021	Qi	D23/238

* cited by examiner

Primary Examiner — Robert A Delehanty
(74) *Attorney, Agent, or Firm* — Runit Ranjit Kanakia

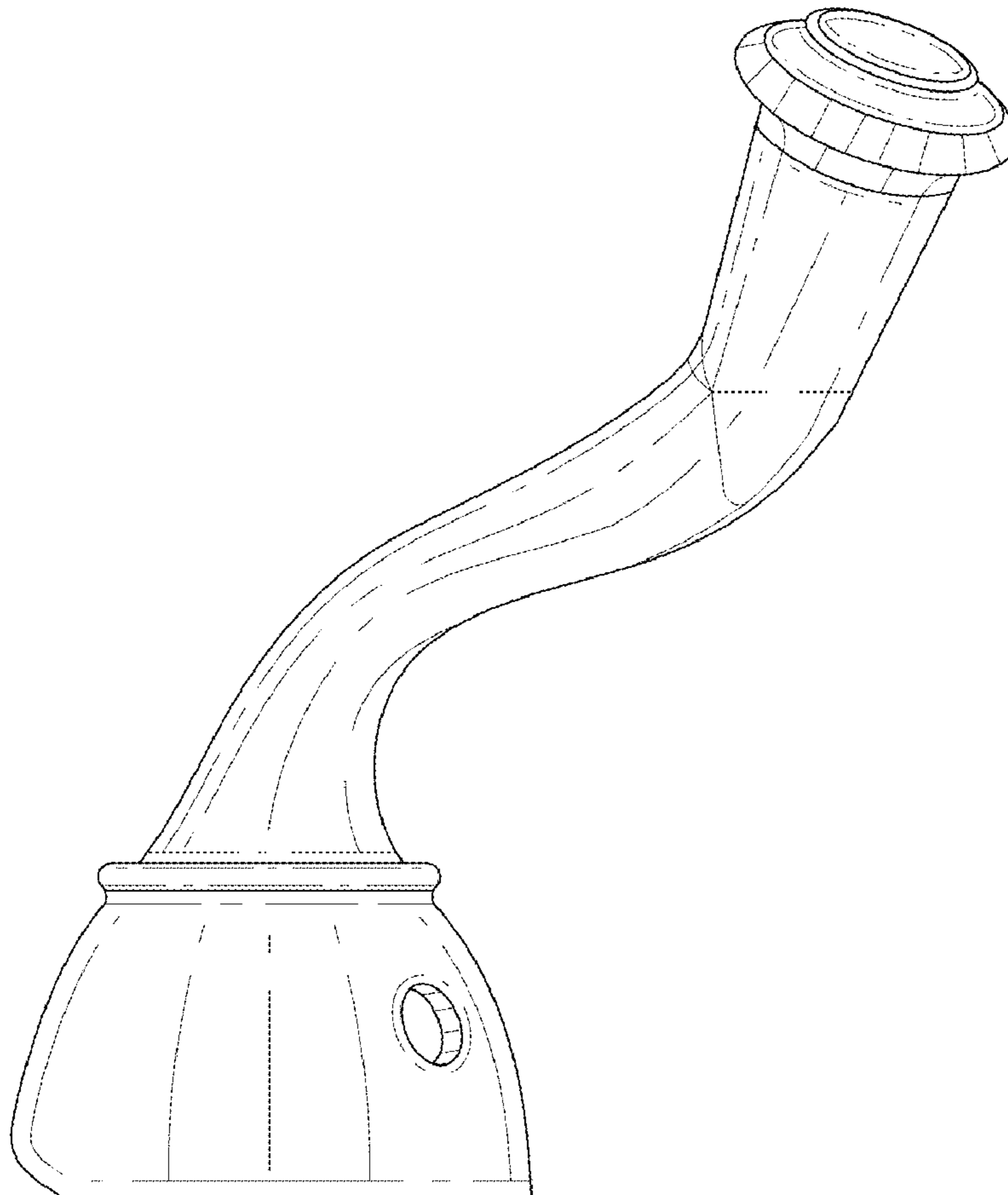
(57) **CLAIM**

I claim the ornamental design for a faucet handle, as shown and described.

DESCRIPTION

FIG. 1 is a Perspective view of a faucet handle showing my new design;
FIG. 2 is a Front view of the faucet handle as shown in FIG. 1;
FIG. 3 is a Back view of the faucet handle as shown in FIG. 1;
FIG. 4 is a Right-side view of the faucet handle as shown in FIG. 1;
FIG. 5 is a Left-side view of the faucet handle as shown in FIG. 1;
FIG. 6 is a Top view of the faucet handle as shown in FIG. 1; and,
FIG. 7 is a Bottom view of the faucet handle as shown in FIG. 1.
The broken lines in the figures depict portions of the faucet handle that form no part of the claimed design.

1 Claim, 6 Drawing Sheets



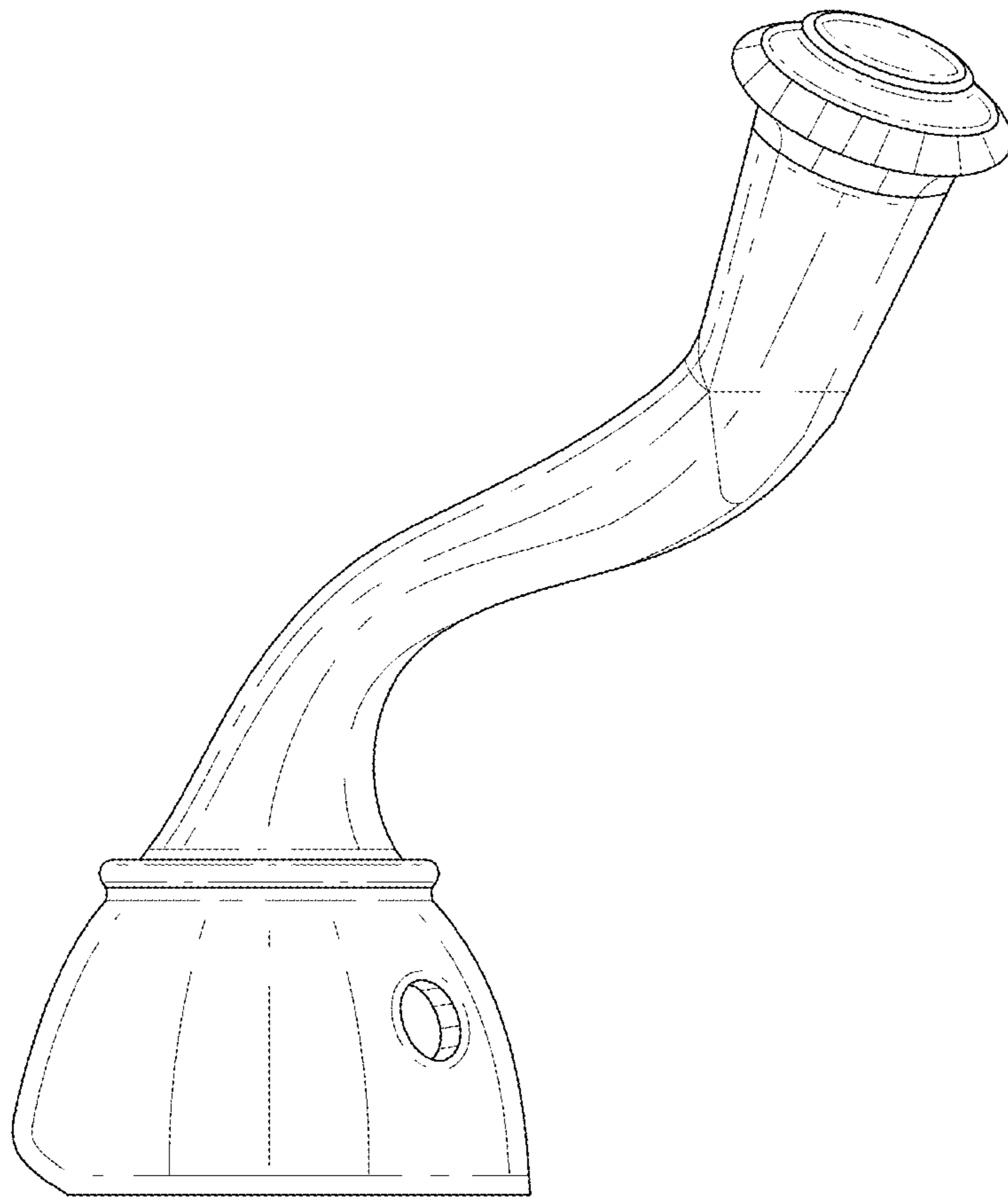


FIG. 1

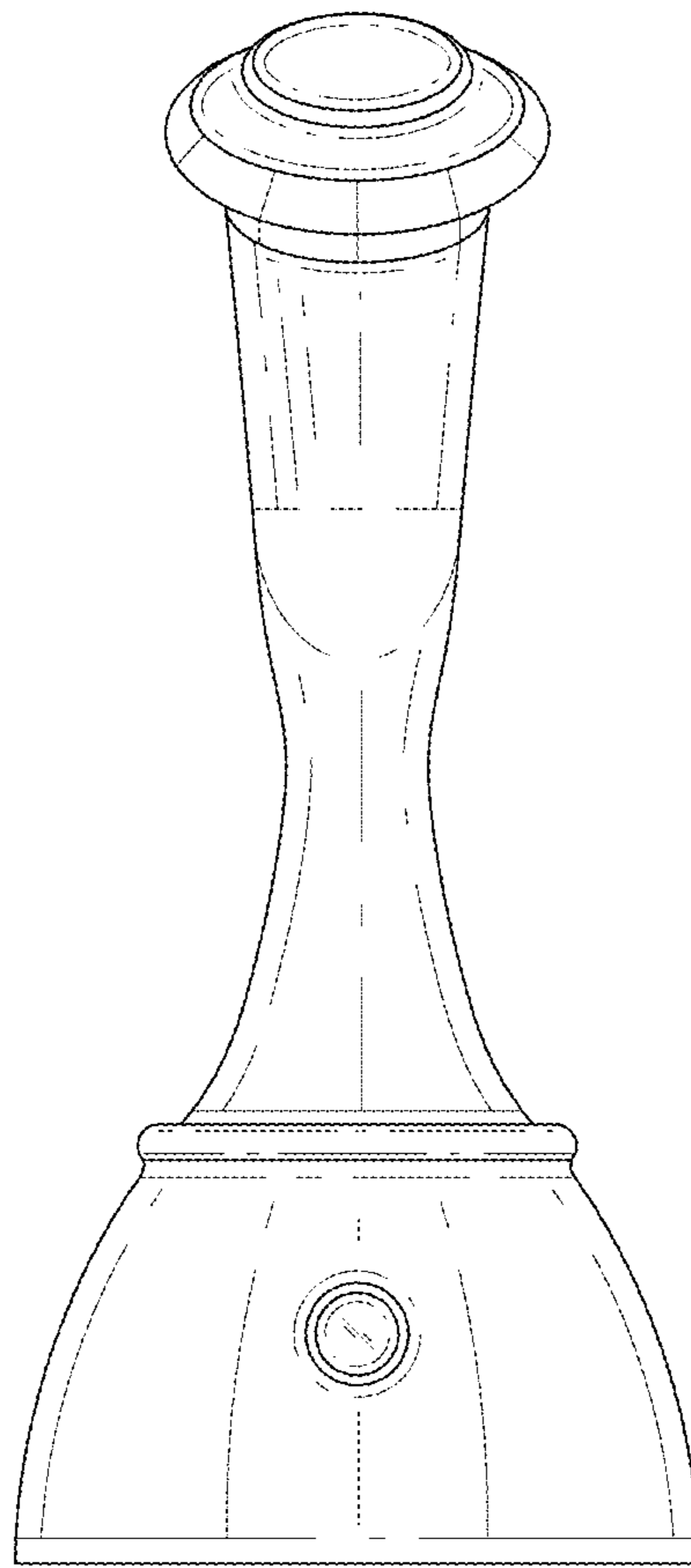


FIG. 2

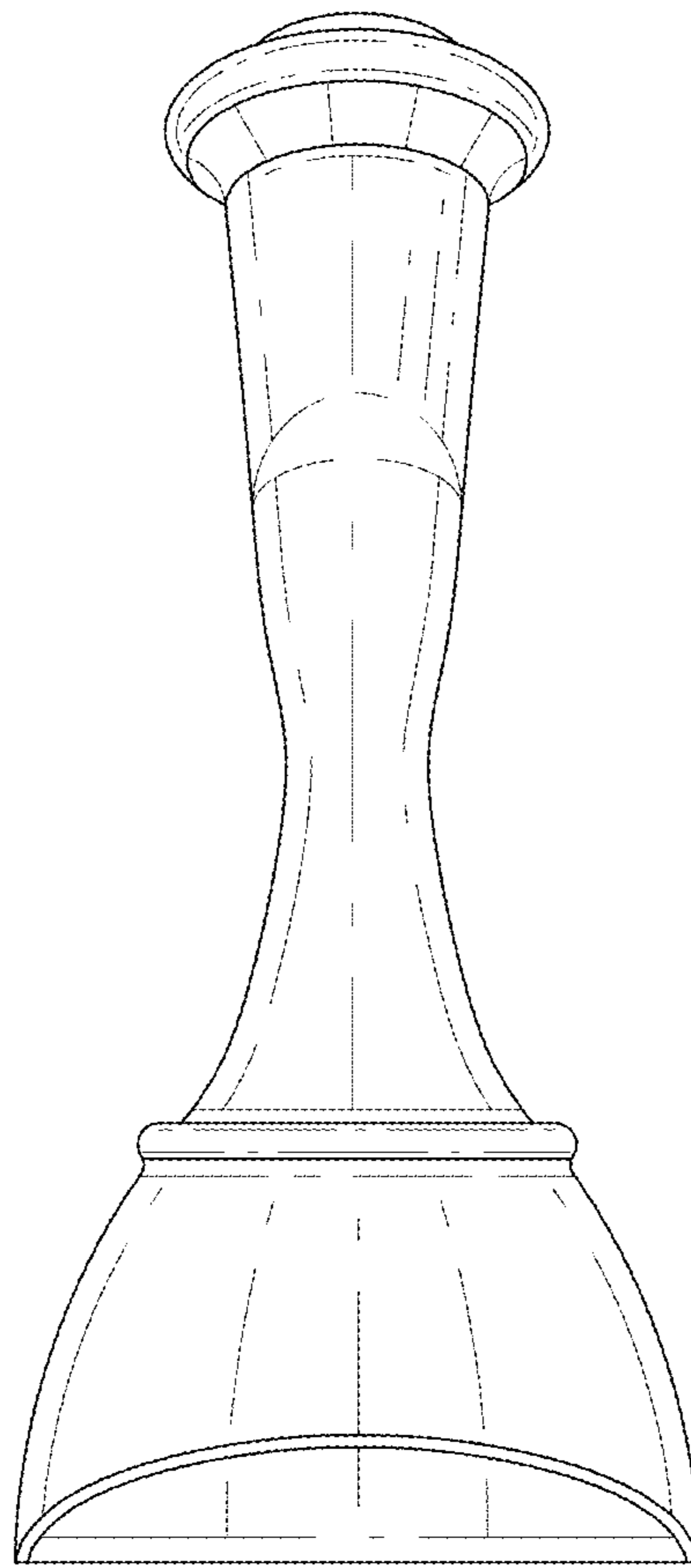


FIG. 3

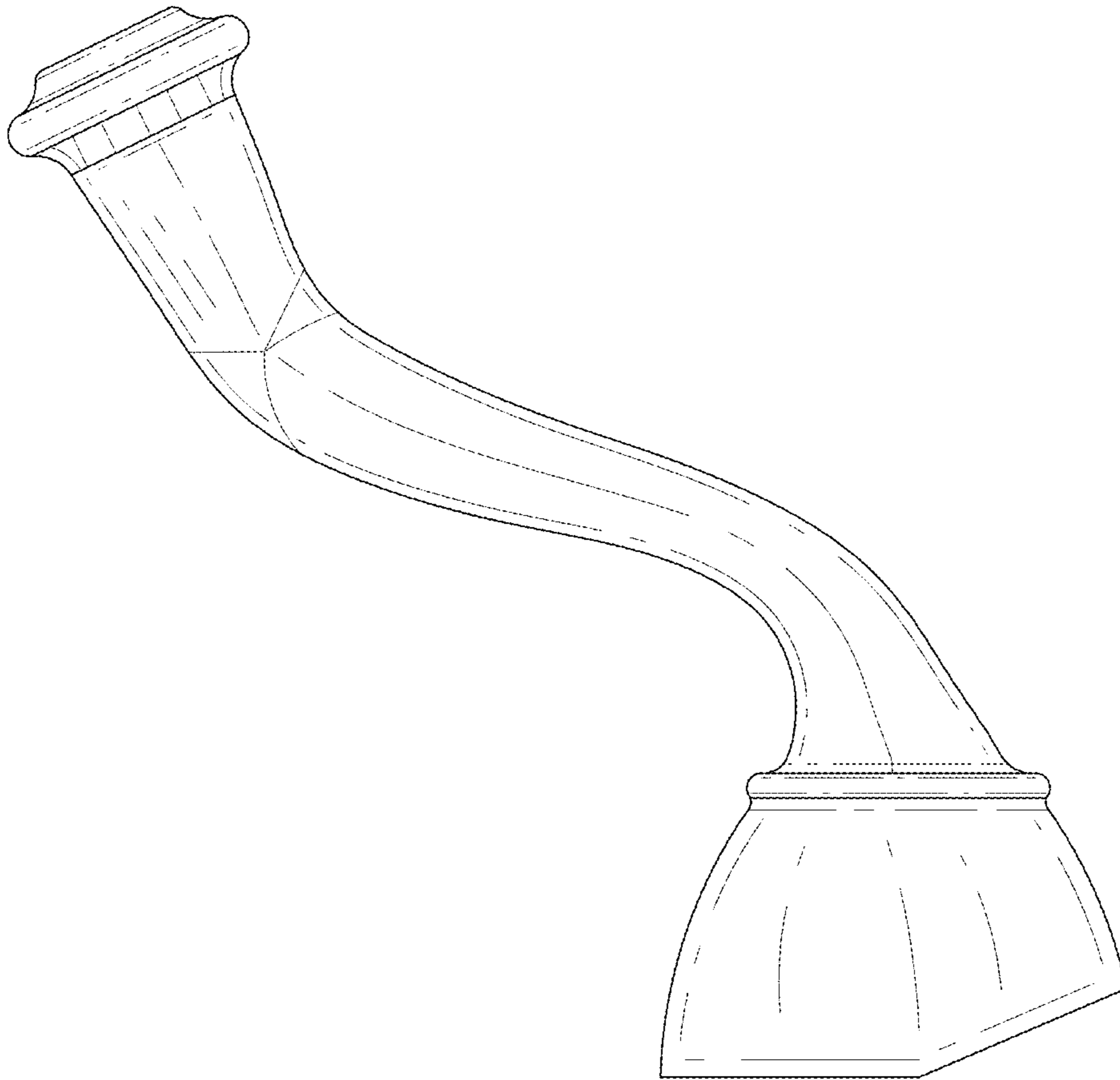


FIG. 4

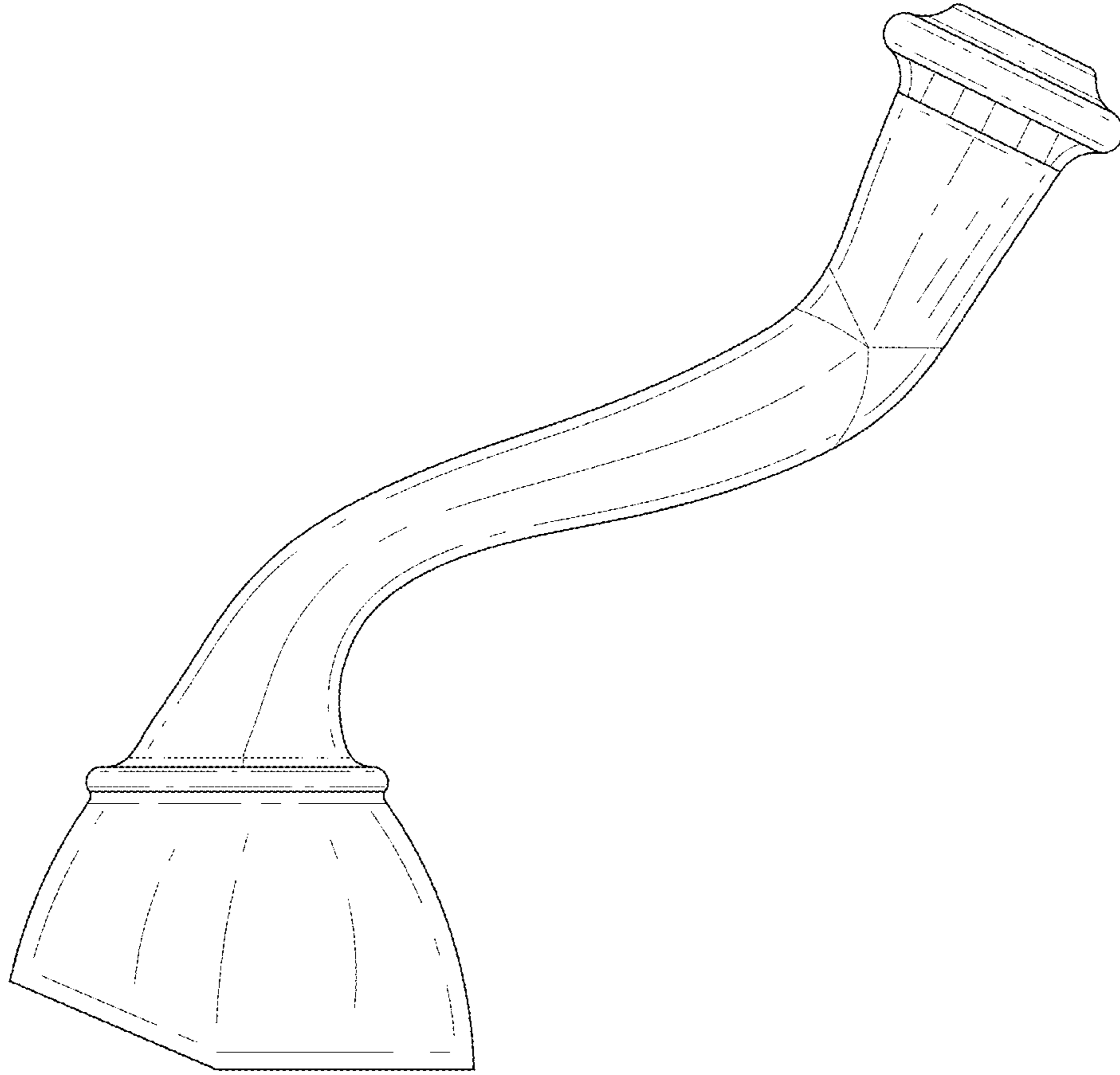


FIG. 5

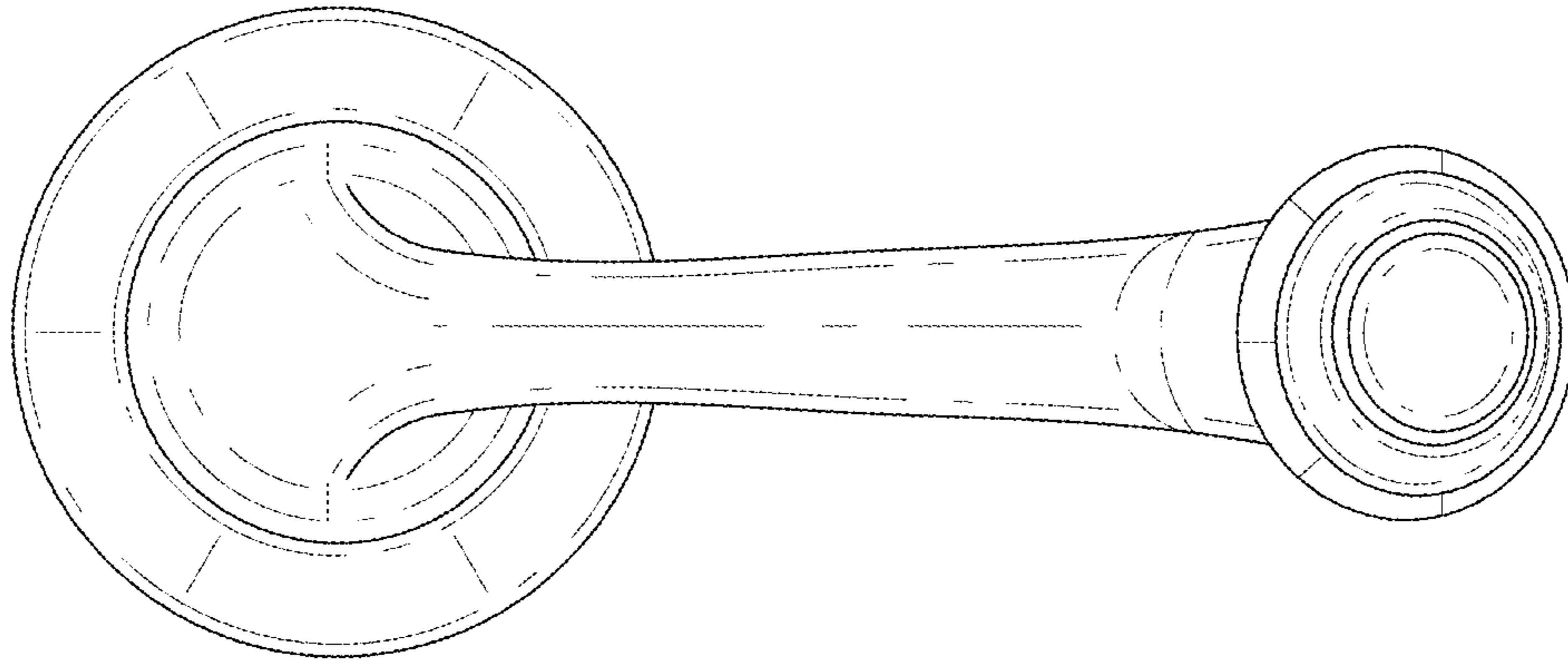


FIG. 6

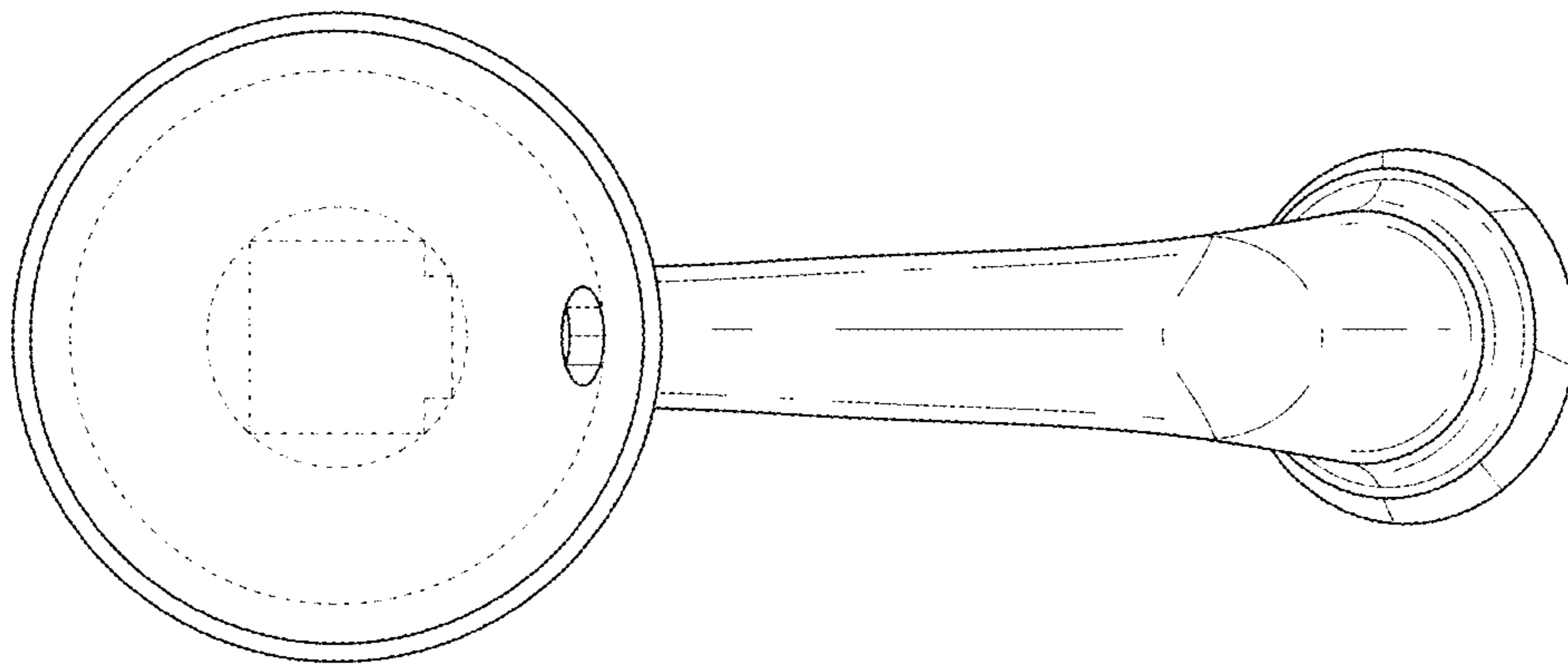


FIG. 7