



US00D934999S

(12) **United States Design Patent**  
**Seto**

(10) **Patent No.:** **US D934,999 S**

(45) **Date of Patent:** **\*\* Nov. 2, 2021**

(54) **BALL FOR BALL VALVE**

6,253,791 B1 \* 7/2001 Miklo ..... F16K 11/0873  
137/625.47

(71) Applicant: **ASAHI YUKIZAI CORPORATION,**  
Nobeoka (JP)

D460,527 S \* 7/2002 Frezzella ..... D23/249  
D853,531 S \* 7/2019 Feng ..... D23/249

(72) Inventor: **Hiroshige Seto,** Nobeoka (JP)

**FOREIGN PATENT DOCUMENTS**

(73) Assignee: **ASAHI YUKIZAI CORPORATION,**  
Nobeoka (JP)

CN 300713335 11/2007

(\*\*) Term: **15 Years**

\* cited by examiner

(21) Appl. No.: **29/729,113**

*Primary Examiner* — Gino Colan

(22) Filed: **Mar. 24, 2020**

(74) *Attorney, Agent, or Firm* — Buchanan Ingersoll &  
Rooney PC

(30) **Foreign Application Priority Data**

Sep. 27, 2019 (JP) ..... 2019-021637

(51) **LOC (13) Cl.** ..... **23-01**

(52) **U.S. Cl.**  
USPC ..... **D23/249**

(58) **Field of Classification Search**  
USPC ..... D23/233, 245, 249, 269; 137/625.47,  
137/270

CPC ..... F16K 27/067; F16K 5/0689; F16K 5/201;  
F16K 5/0636; F16K 5/0647; F16K  
11/0873; F16K 15/183; F16K 15/048;  
E21B 2200/04

See application file for complete search history.

(56) **References Cited**

**U.S. PATENT DOCUMENTS**

D253,365 S \* 11/1979 Nyberg ..... D23/247  
4,352,369 A \* 10/1982 Lorch ..... F16K 11/087  
137/270

(57) **CLAIM**

The ornamental design for a ball for ball valve, as shown and described.

**DESCRIPTION**

FIG. 1 is a perspective view of a ball for ball valve showing my new design;  
FIG. 2 is a front view thereof;  
FIG. 3 is a rear view thereof;  
FIG. 4 is a left side view thereof;  
FIG. 5 is a right side view thereof;  
FIG. 6 is a top plan view thereof;  
FIG. 7 is a bottom plan view thereof; and,  
FIG. 8 is a cross-sectional view taken along lines 8-8 in FIG. 2.

**1 Claim, 5 Drawing Sheets**

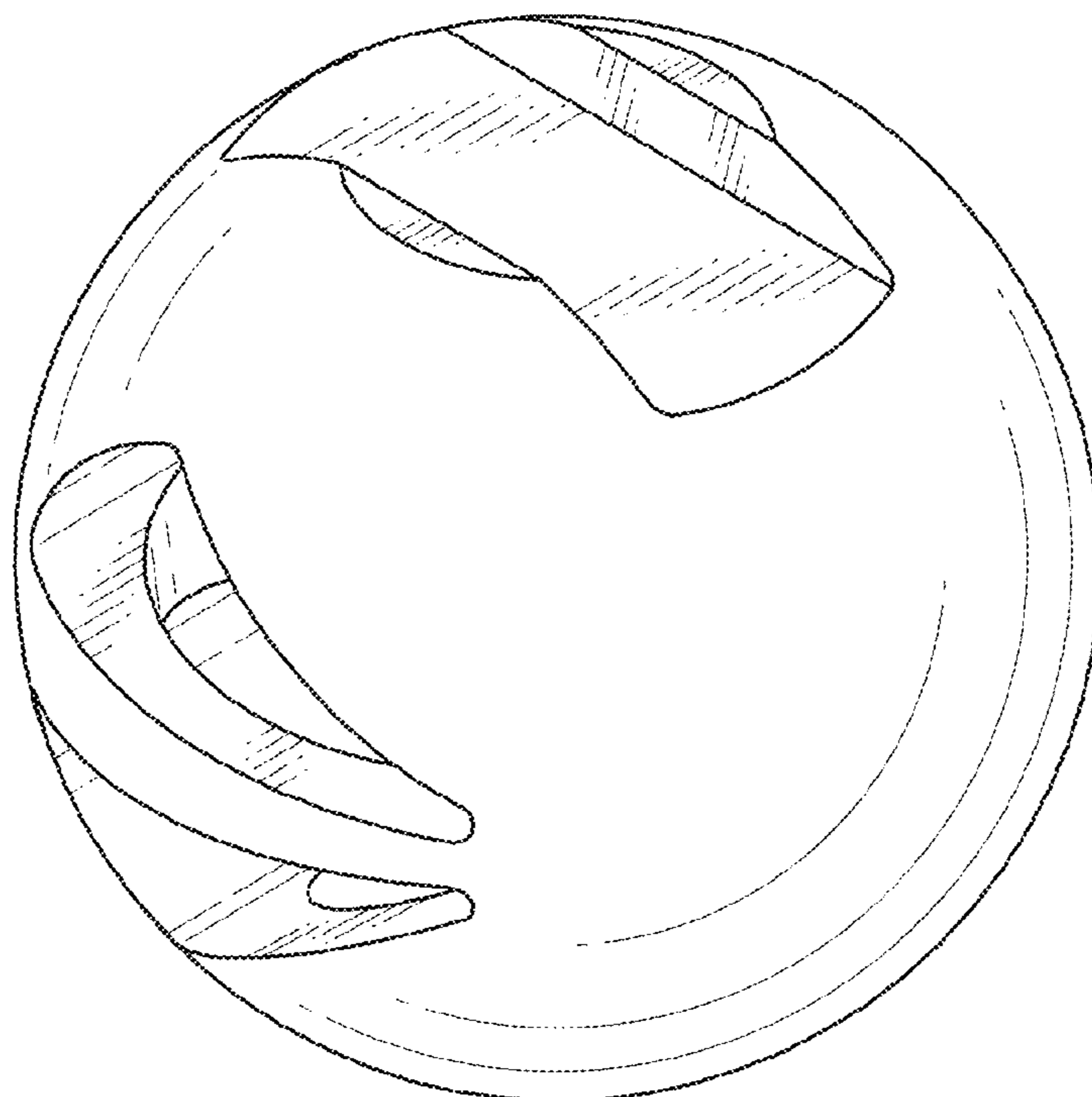


FIG. 1

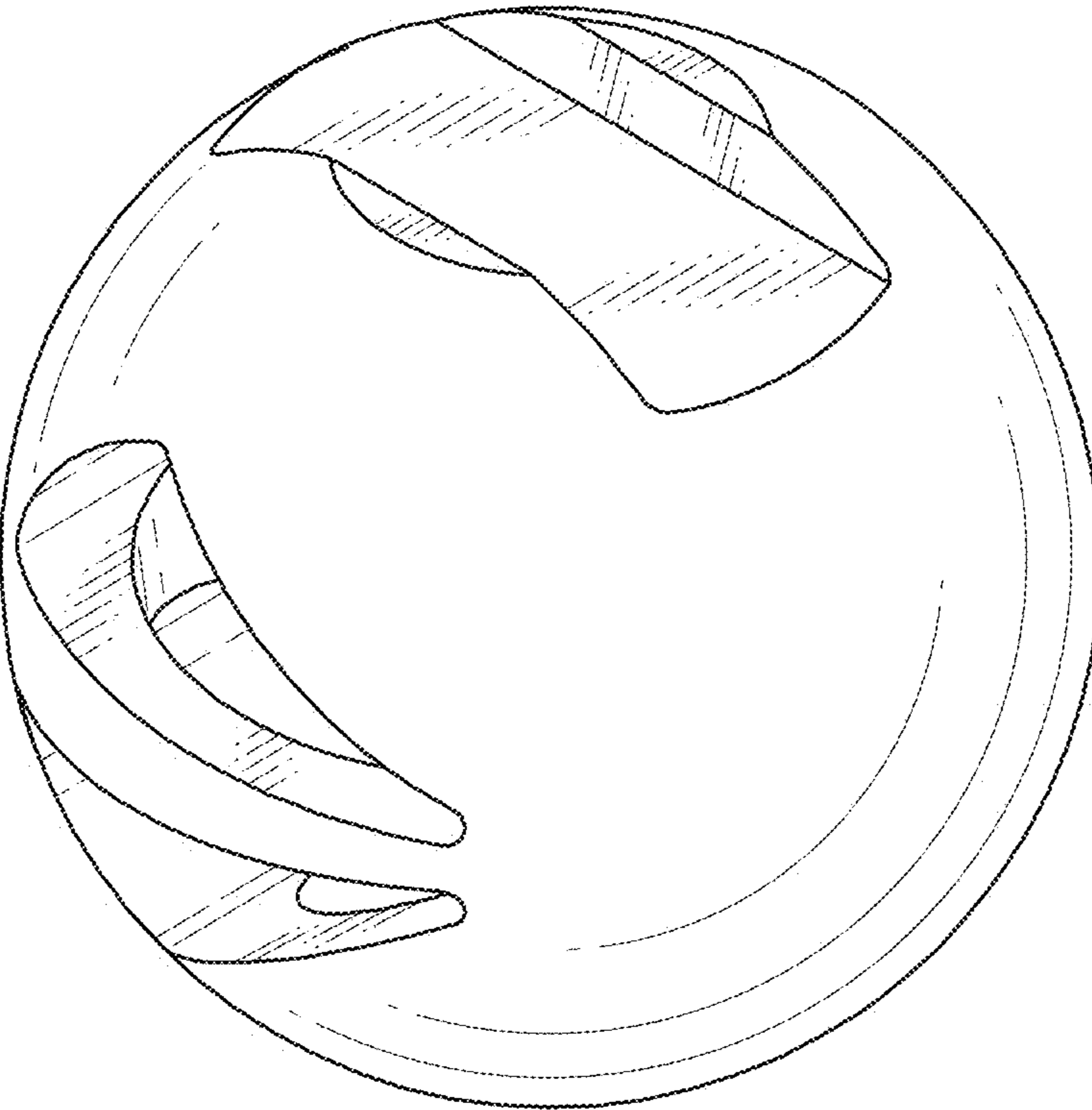
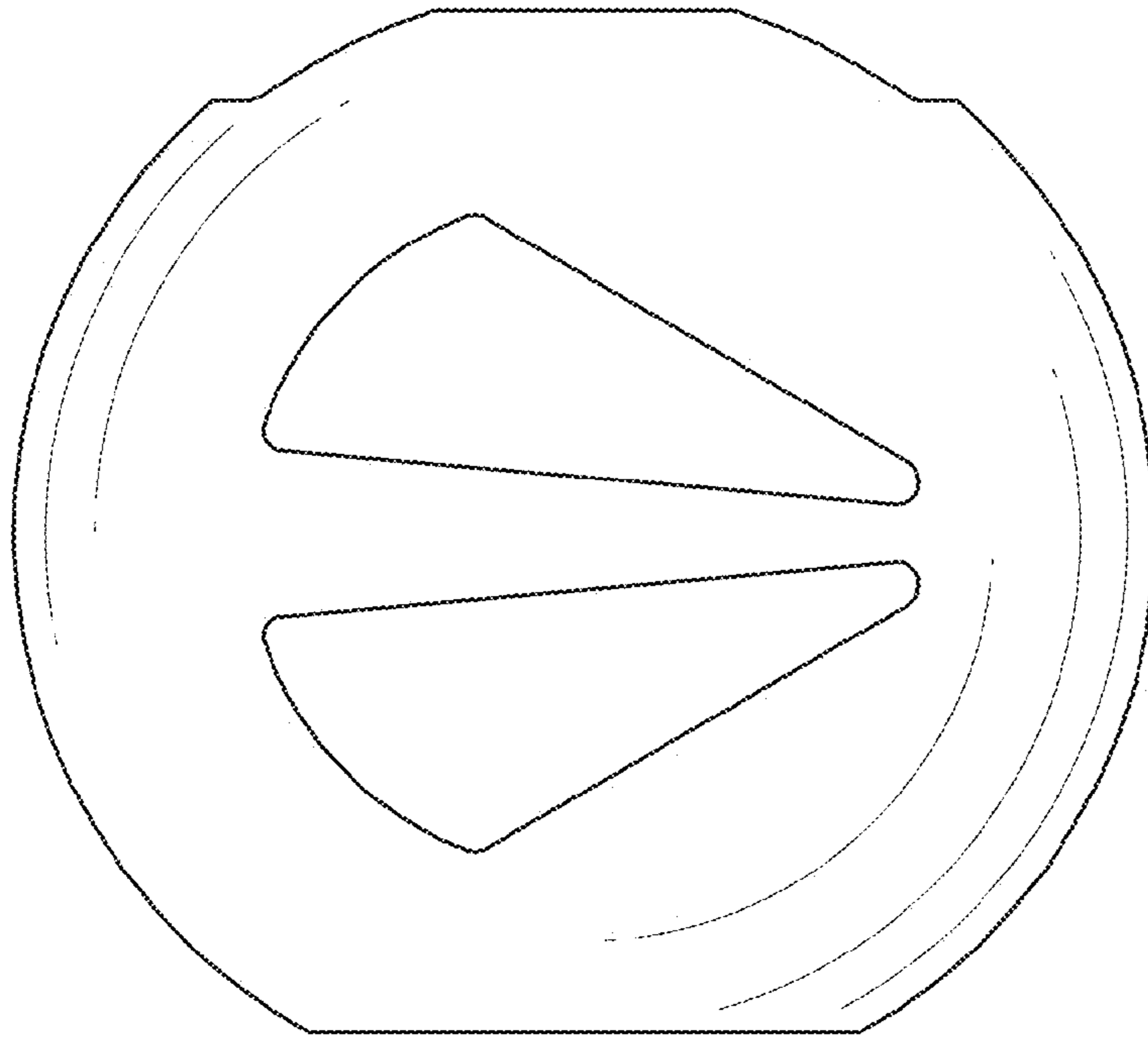


FIG. 2

8 ←



8 ←

FIG. 3

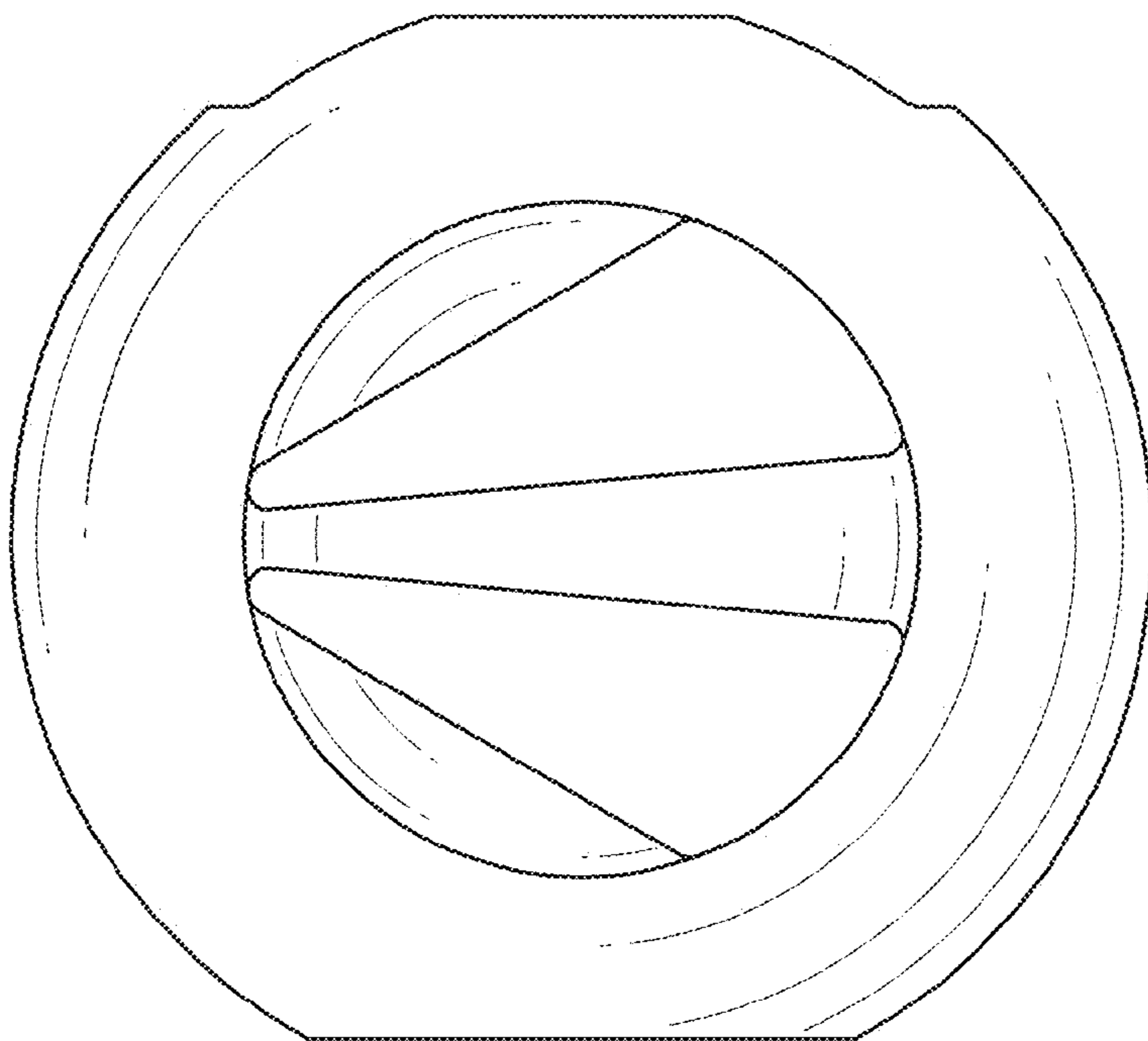


FIG. 4

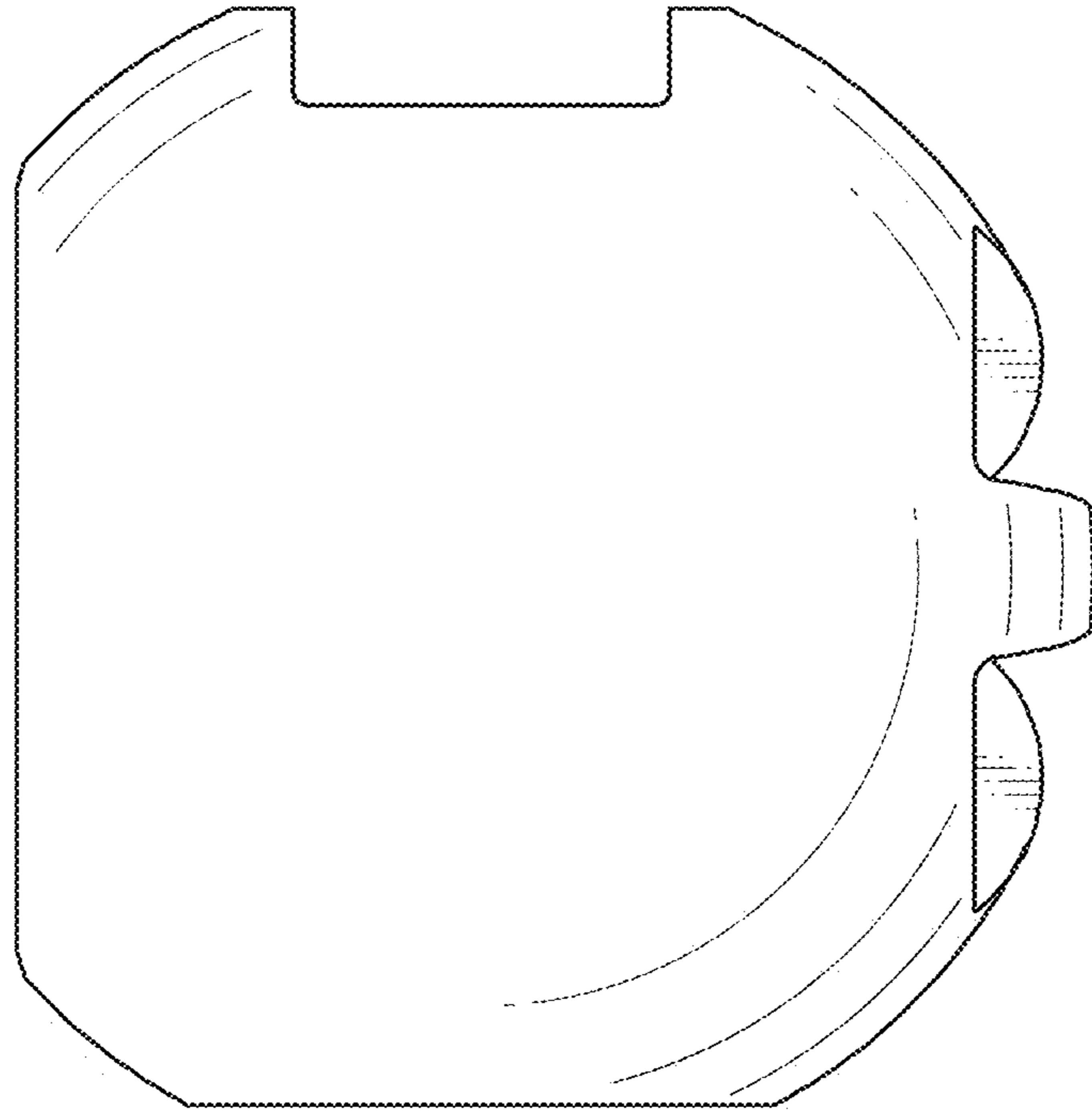


FIG. 5

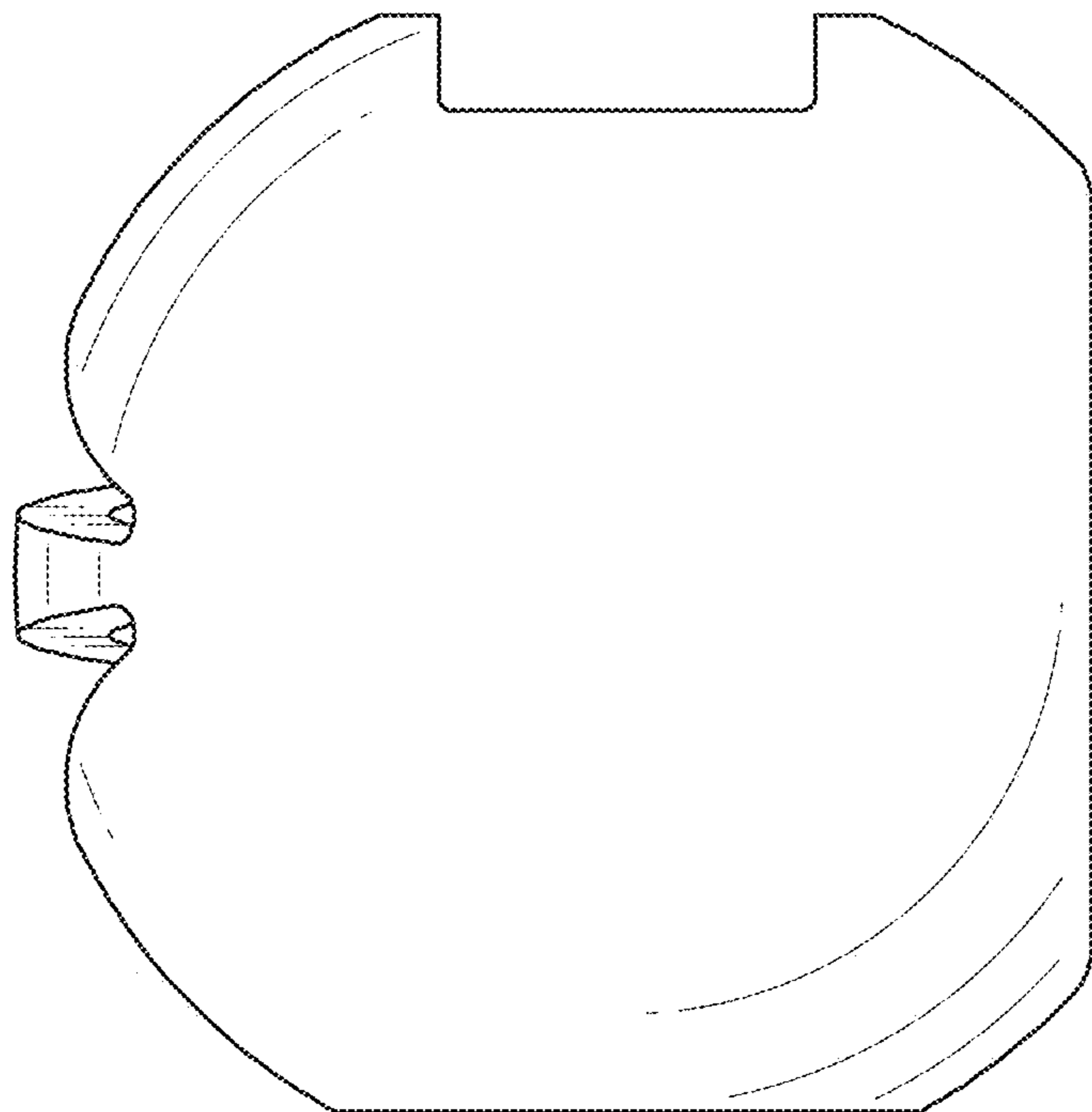


FIG. 6

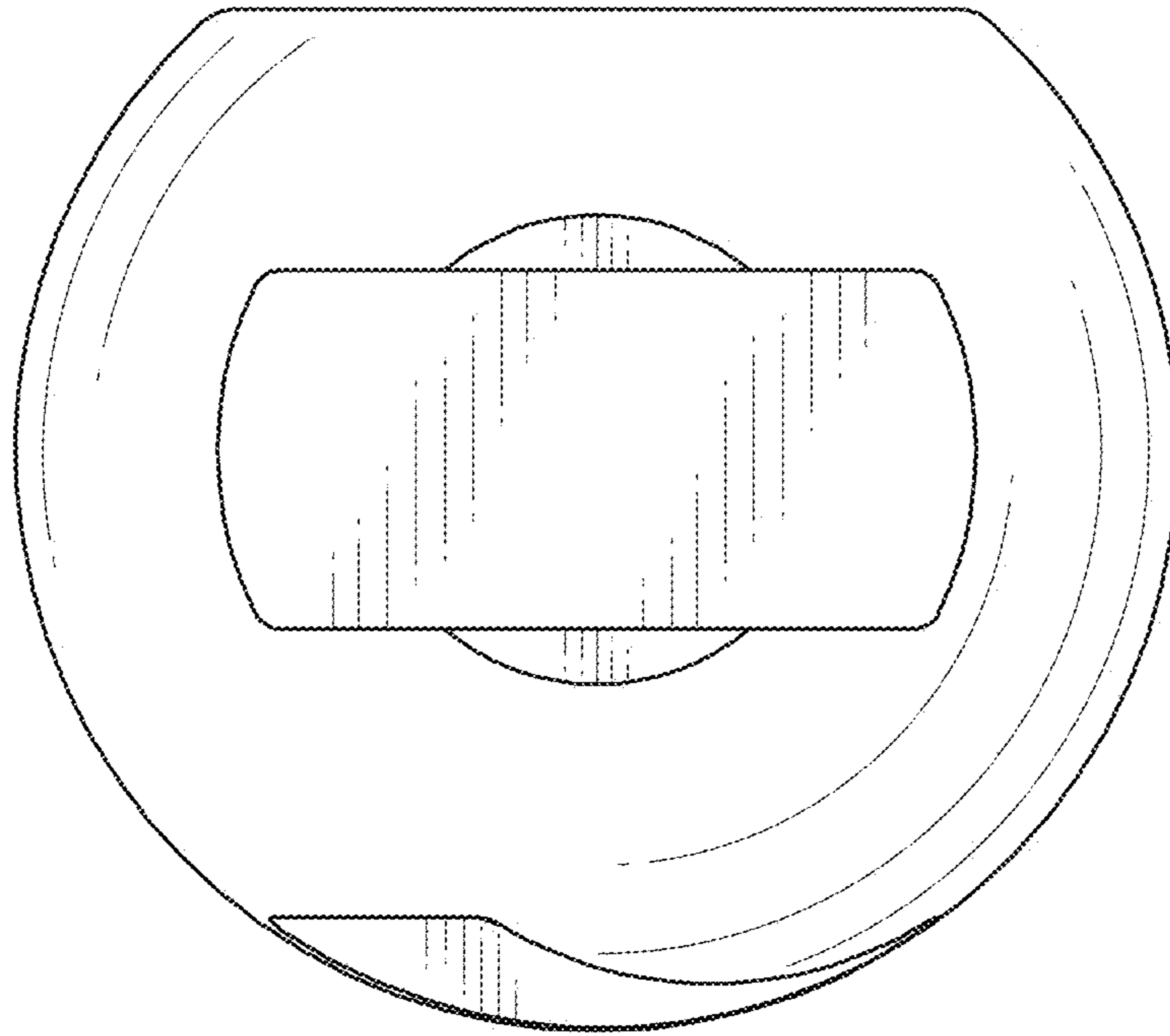


FIG. 7

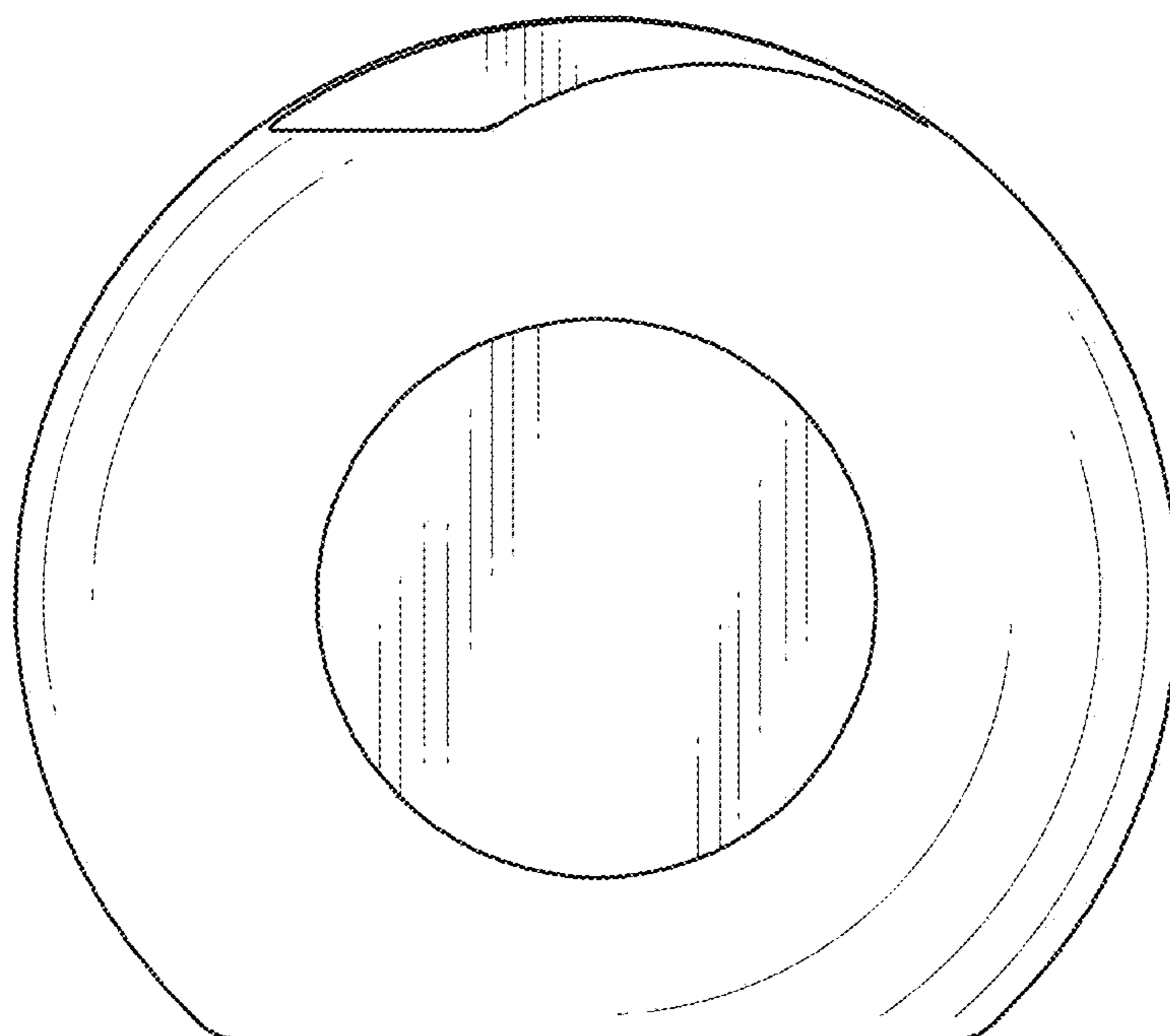


FIG. 8

