



US00D934998S

(12) **United States Design Patent** (10) **Patent No.:** **US D934,998 S**
Vignerol et al. (45) **Date of Patent:** **** Nov. 2, 2021**

(54) **GAS FLOW TAP**

(71) Applicant: **L’Air Liquide, Société Anonyme pour l’Etude et l’Exploitation des Procédés Georges Claude**, Paris (FR)

(72) Inventors: **Samuel Vignerol**, Fontenay le Fleury (FR); **Olivier Ondo Ndong**, Palaiseau (FR); **Frédéric Rotman**, Paris (FR)

(73) Assignee: **L’Air Liquide, Société Anonyme pour l’Etude et l’Exploitation des Procédés Georges Claude**, Paris (FR)

(**) Term: **15 Years**

(21) Appl. No.: **29/673,600**

(22) Filed: **Dec. 17, 2018**

(51) **LOC (13) Cl.** **23-01**

(52) **U.S. Cl.**
USPC **D23/245**

(58) **Field of Classification Search**
USPC D23/233–237, 241–250; D7/398;
137/625.17, 270, 382

(Continued)

(56) **References Cited**

U.S. PATENT DOCUMENTS

2,612,905 A * 10/1952 Willson B67D 7/52
137/382
3,677,281 A * 7/1972 Tennis F16K 31/465
137/270

(Continued)

Primary Examiner — Gino Colan

(74) *Attorney, Agent, or Firm* — Allen E. White

(57) **CLAIM**

The ornamental design for a gas flow tap, as shown and described.

DESCRIPTION

The patent or application file contains at least one drawing executed in color. Copies of this patent or patent application

publication with color drawing(s) will be provided by the Office upon request and payment of the necessary fee.

FIG. 1 is a front elevational view of a first embodiment gas flow tap (levers down);

FIG. 2 is a left elevational view of a first embodiment gas flow tap (levers down);

FIG. 3 is a right elevational view of a first embodiment gas flow tap (levers up);

FIG. 4 is a front elevational view of a first embodiment gas flow tap (levers up);

FIG. 5 is a top plan view thereof;

FIG. 6 is a bottom plan view thereof;

FIG. 7 is a bottom elevational view of a first embodiment gas flow tap (levers down);

FIG. 8 is a rear elevational view of a first embodiment gas flow tap (levers up)

FIG. 9 is a first isometric view, top left rear, of a first embodiment gas flow tap (levers down);

FIG. 10 is a second isometric view, bottom right front, of a first embodiment gas flow tap (levers down);

FIG. 11 is a top plan view thereof;

FIG. 12 is a bottom plan view thereof;

FIG. 13 is a left elevational view of a second embodiment gas flow tap (levers up);

FIG. 14 is a right elevational view of a second embodiment gas flow tap (levers down);

FIG. 15 is a second right elevational view of a second embodiment gas flow tap (levers down);

FIG. 16 is a front elevational view of a second embodiment gas flow tap (levers down);

FIG. 17 is a top elevational view of a second embodiment gas flow tap (levers down);

FIG. 18 is a top elevational view of a second embodiment gas flow tap (levers up);

FIG. 19 is a bottom elevational view of a second embodiment gas flow tap (levers down);

FIG. 20 is a bottom elevational view of a second embodiment gas flow tap (levers up);

FIG. 21 is a first isometric view, top left rear, of a second embodiment gas flow tap (levers down);

FIG. 22 is a top plan view thereof;

FIG. 23 is a bottom plan view thereof;

(Continued)

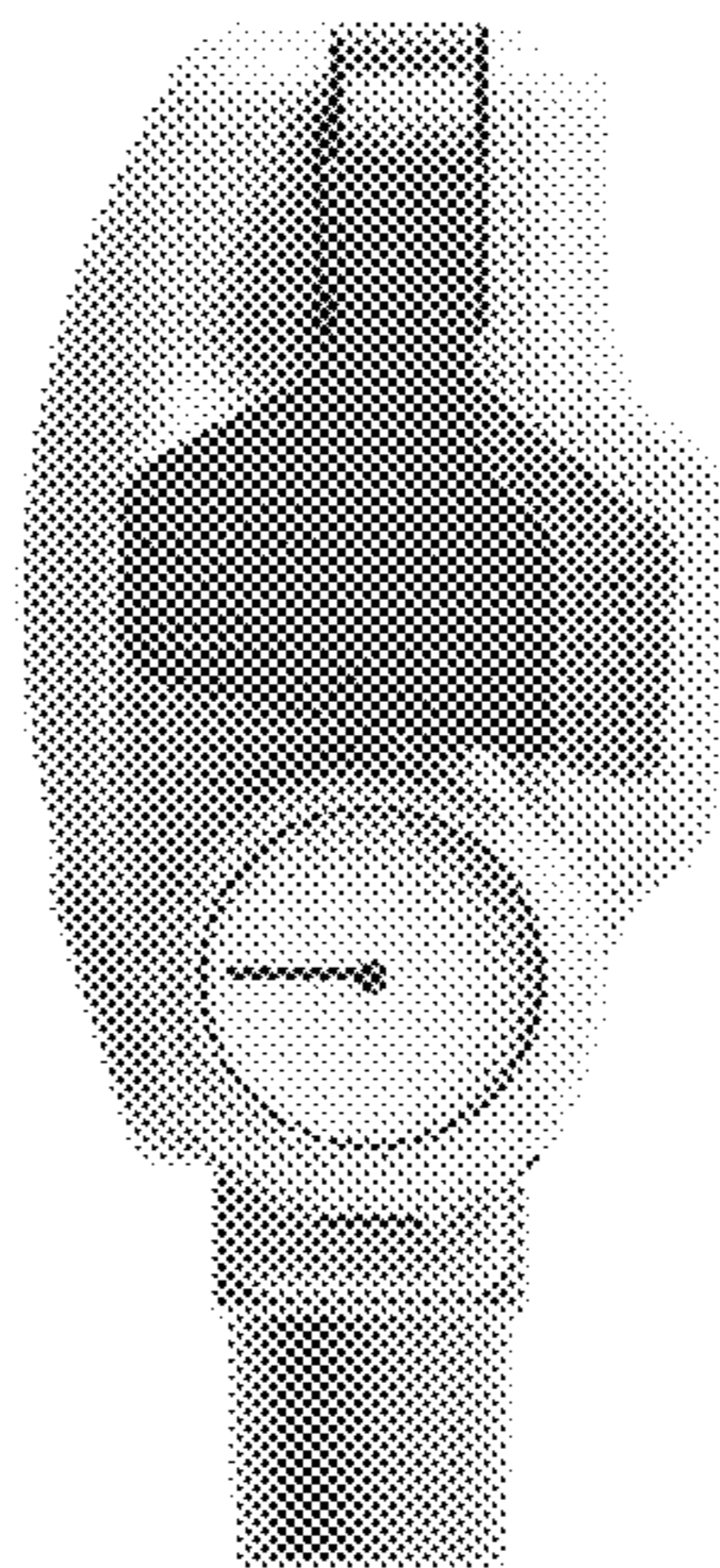


FIG. 24 is a front elevational view of a third embodiment gas flow tap (levers down);
 FIG. 25 is a left elevational view of a third embodiment gas flow tap (levers down);
 FIG. 26 is a right elevational view of a third embodiment gas flow tap (levers up);
 FIG. 27 is a front elevational view of a third embodiment gas flow tap (levers up);
 FIG. 28 is a second top plan view thereof;
 FIG. 29 is a second bottom plan view thereof;
 FIG. 30 is a bottom elevational view of a third embodiment gas flow tap (levers down);
 FIG. 31 is a rear elevational view of a third embodiment gas flow tap (levers up);
 FIG. 32 is a second left elevational view of a third embodiment gas flow tap (levers down);
 FIG. 33 is a second left elevational view of a third embodiment gas flow tap (levers up);
 FIG. 34 is a second side view thereof;
 FIG. 35 is a third side view thereof;
 FIG. 36 is a fourth side view thereof;
 FIG. 37 is a top plan view thereof;
 FIG. 38 is a bottom plan view thereof;
 FIG. 39 is a bottom elevational view of a fourth embodiment gas flow tap (levers down);
 FIG. 40 is a bottom elevational view of a fourth embodiment gas flow tap (levers up);
 FIG. 41 is an isometric view, top rear left, of a third embodiment gas flow tap (levers down);
 FIG. 42 is an isometric view, top rear left, of a fourth embodiment gas flow tap (levers down);
 FIG. 43 is an isometric view, top rear left, of a fourth embodiment gas flow tap (levers up);
 FIG. 44 is an isometric view, bottom front right, of a third embodiment gas flow tap (levers down);
 FIG. 45 is an isometric view, bottom front right, of a fourth embodiment gas flow tap (levers down);
 FIG. 46 is an isometric view, bottom front right, of a fourth embodiment gas flow tap (levers up);
 FIG. 47 is a second top plan view thereof;
 FIG. 48 is a second bottom plan view thereof; and
 FIG. 49 is a right elevational view of a seventh embodiment gas flow tap (levers down);
 FIG. 50 is a rear elevational view of a seventh embodiment gas flow tap (levers down);
 FIG. 51 is a top elevational view of a seventh embodiment gas flow tap (levers down);
 FIG. 52 is a bottom elevational view of a seventh embodiment gas flow tap (levers down);
 FIG. 53 is an isometric view, front top right, of a seventh embodiment gas flow tap (levers down);

FIG. 54 is an isometric view, rear top left, of a seventh embodiment gas flow tap (levers down);
 FIG. 55 is an isometric view, front bottom right, of a seventh embodiment gas flow tap (levers down);
 FIG. 56 is a front elevational view of an eighth embodiment gas flow tap (levers down);
 FIG. 57 is a left elevational view of an eighth embodiment gas flow tap (levers down);
 FIG. 58 is a right elevational view of an eighth embodiment gas flow tap (levers down);
 FIG. 59 is a rear elevational view of an eighth embodiment gas flow tap (levers down);
 FIG. 60 is a top elevational view of an eighth embodiment gas flow tap (levers down);
 FIG. 61 is a bottom elevational view of an eighth embodiment gas flow tap (levers down);
 FIG. 62 is an isometric view, front top right, of an eighth embodiment gas flow tap (levers down);
 FIG. 63 is an isometric view, rear top left, of an eighth embodiment gas flow tap (levers down); and,
 FIG. 64 is an isometric view, front bottom right, of an eighth embodiment gas flow tap (levers down).
 The broken lines shown in the figures are for the purpose of illustrating portions of the gas flow tap and form no part of the claimed design.

**1 Claim, 64 Drawing Sheets
 (32 of 64 Drawing Sheet(s) Filed in Color)**

(58) **Field of Classification Search**
 CPC F16K 1/36; F16K 1/42
 See application file for complete search history.

(56) **References Cited**

U.S. PATENT DOCUMENTS

3,943,791	A *	3/1976	Casey	F16K 31/44 74/471 XY
4,662,399	A *	5/1987	Buchner	F16K 11/022 137/625.17
D407,799	S *	4/1999	Kitchen	D23/245
D450,533	S *	11/2001	Bellon	D7/398
D615,617	S *	5/2010	Hutton	D23/233
D749,193	S *	2/2016	Beal	D23/233
D832,038	S *	10/2018	Lin	D7/398
D850,588	S *	6/2019	Tanghetti	D23/238
D860,723	S *	9/2019	Gallagher	D7/398
D902,355	S *	11/2020	Mitsuoka	D23/245
D907,179	S *	1/2021	Mitsuoka	D23/245

* cited by examiner

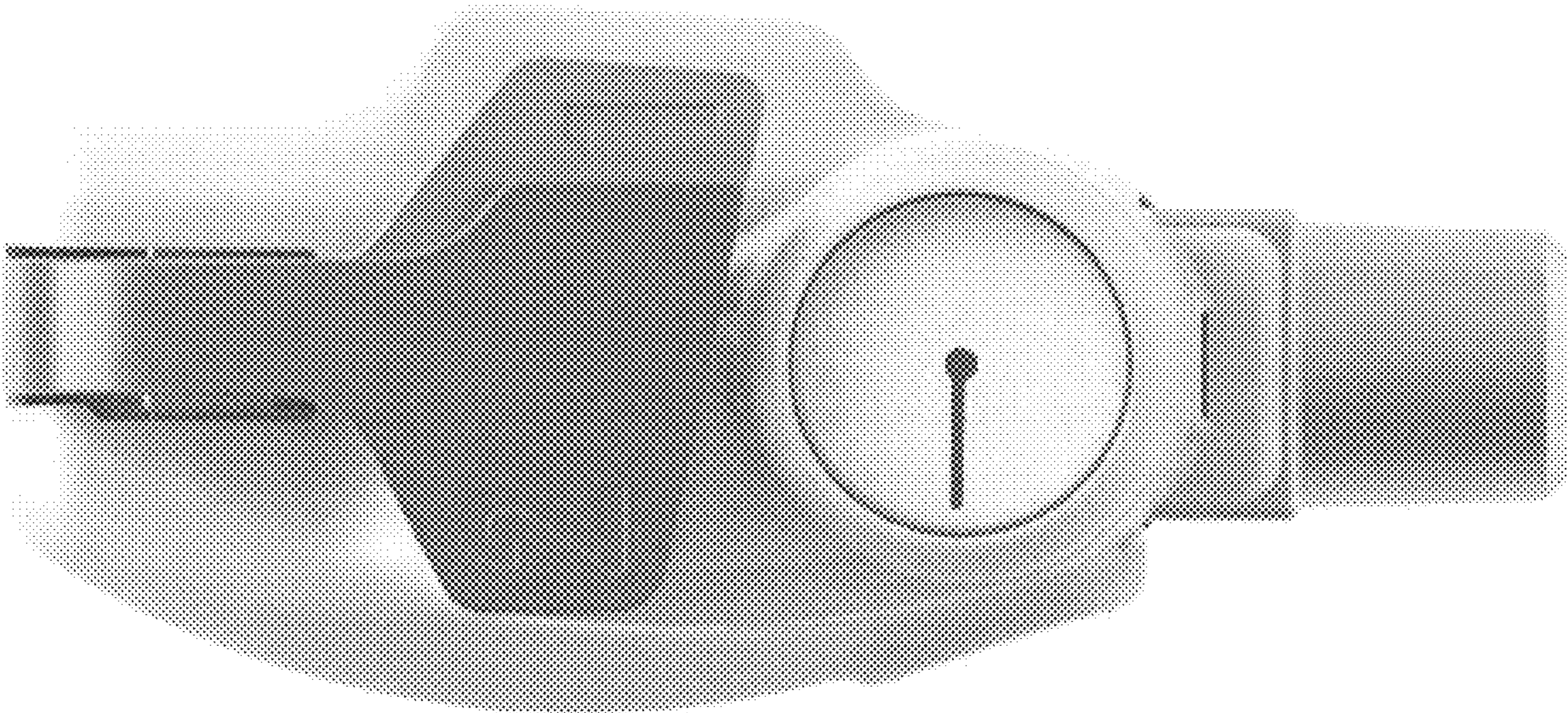
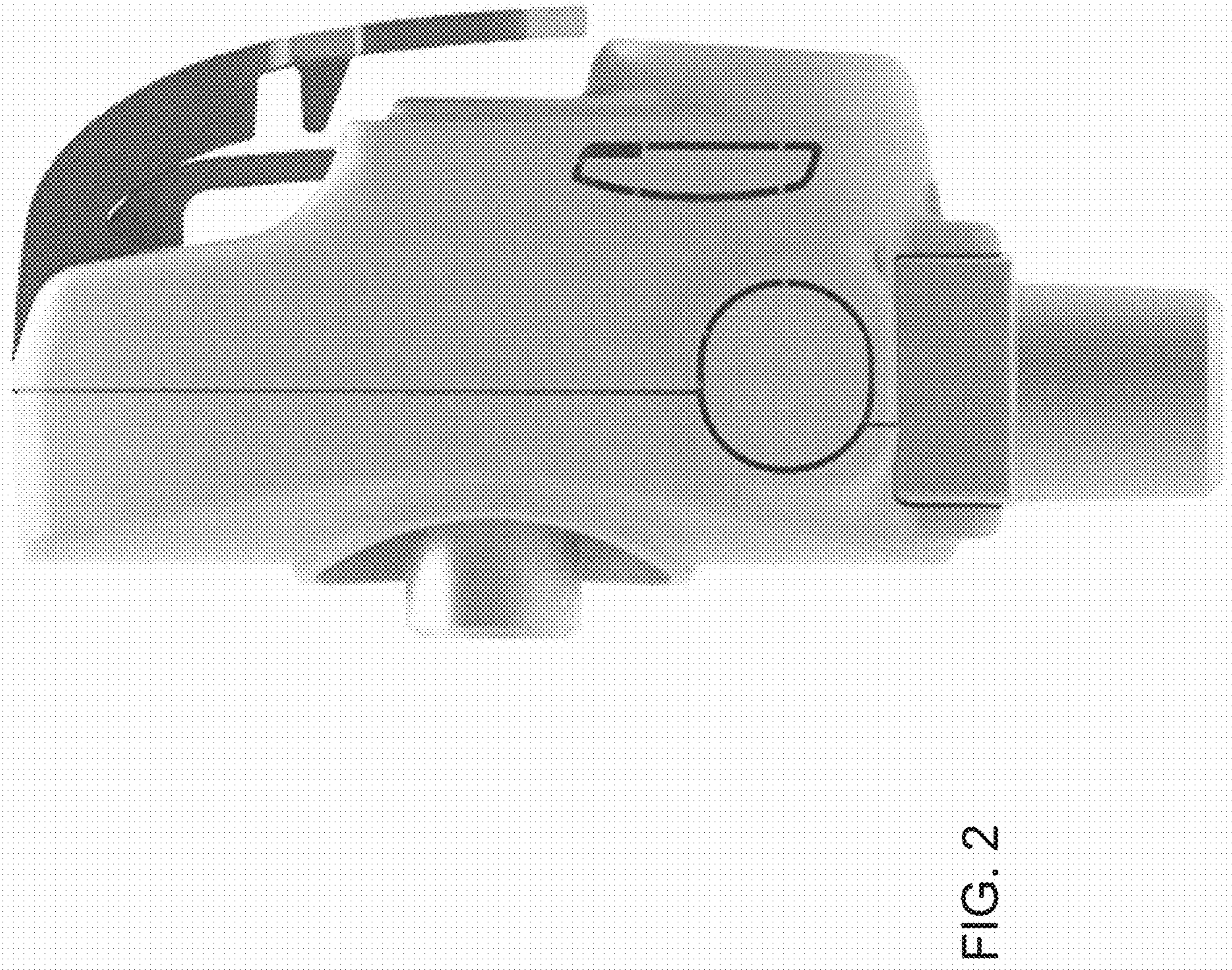


FIG. 1



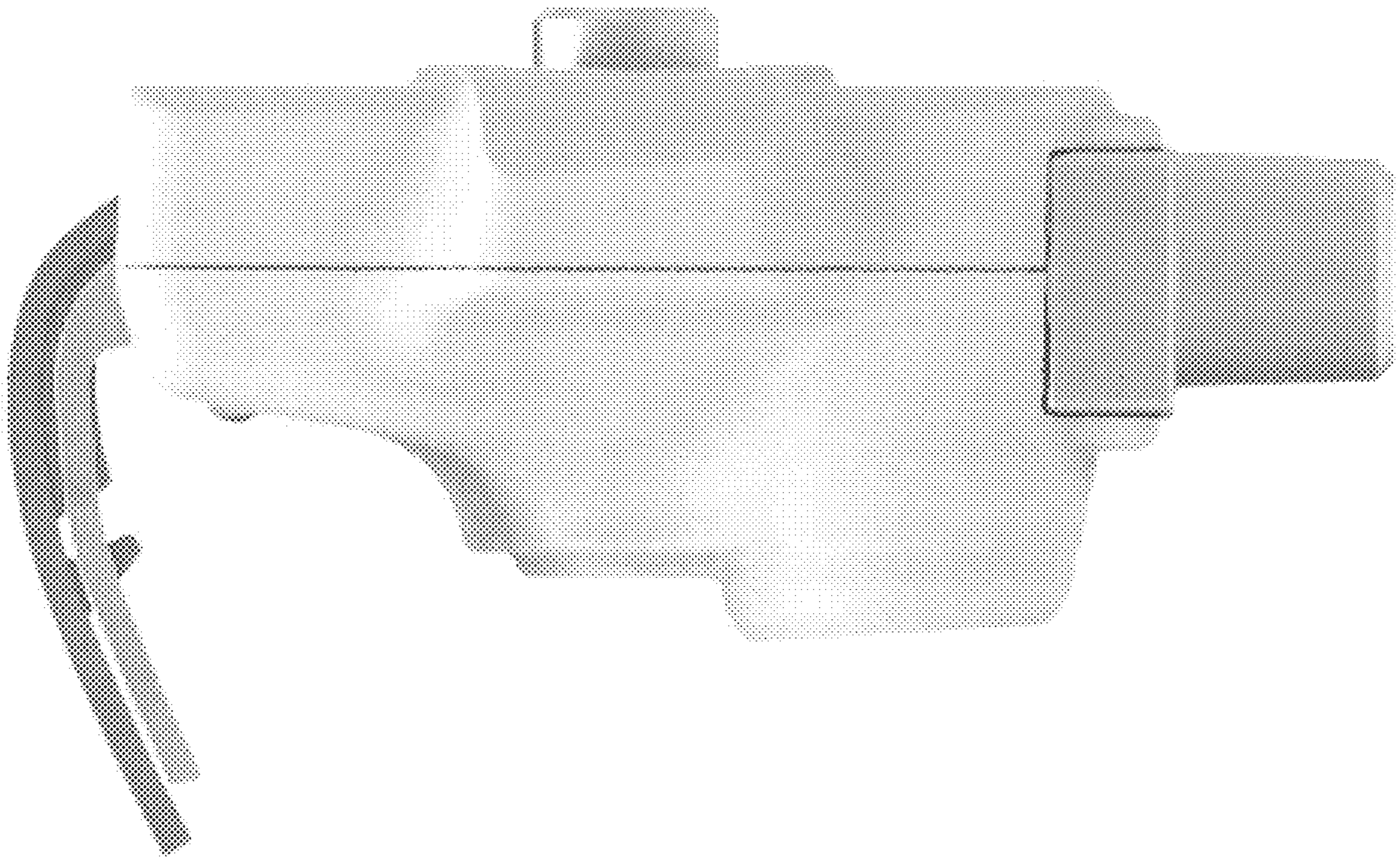


FIG. 3

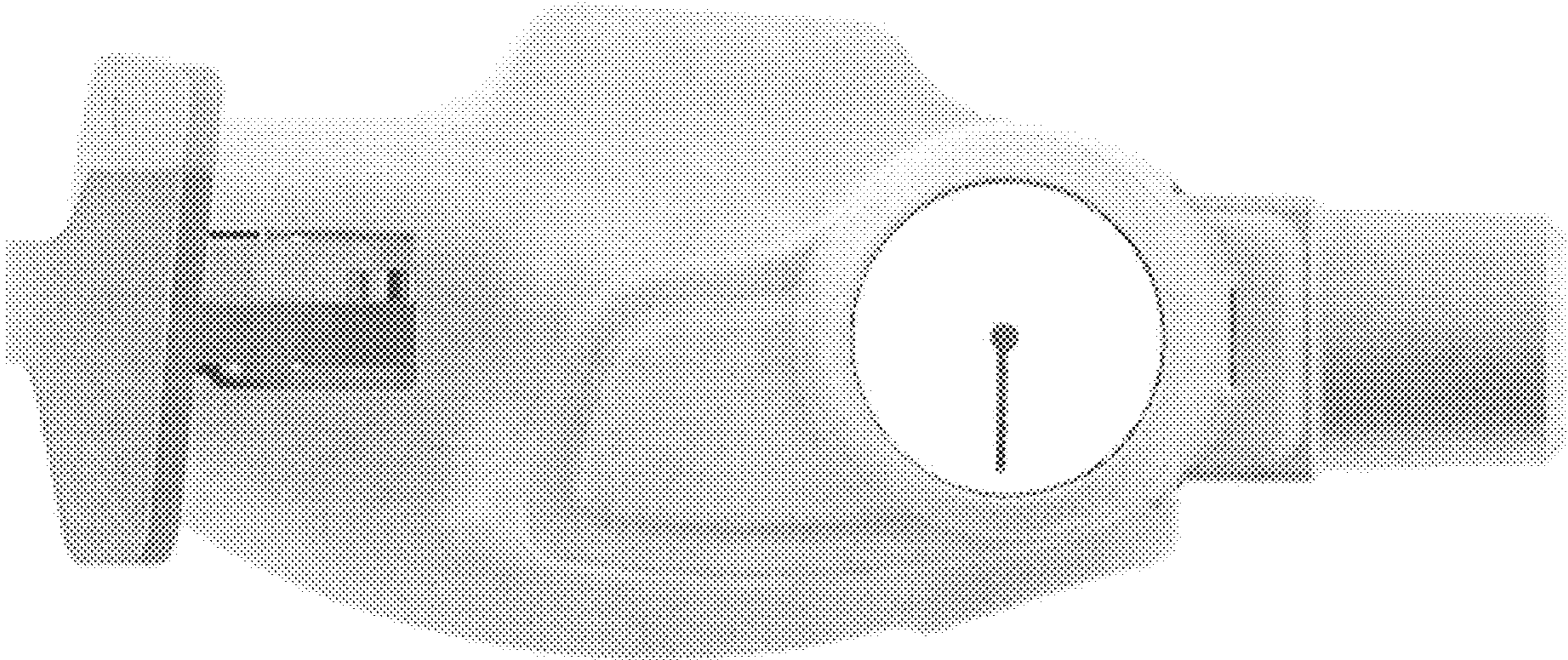


FIG. 4

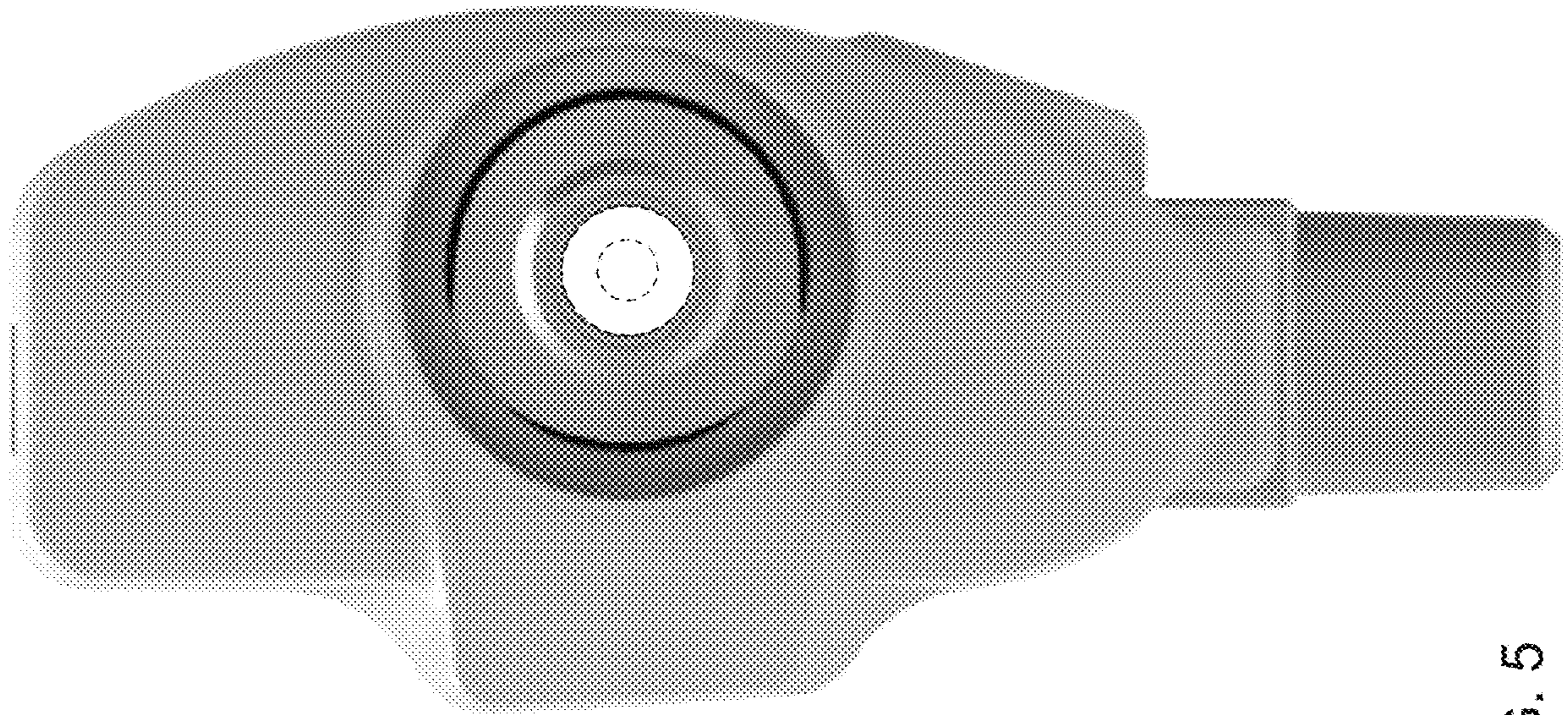


FIG. 5

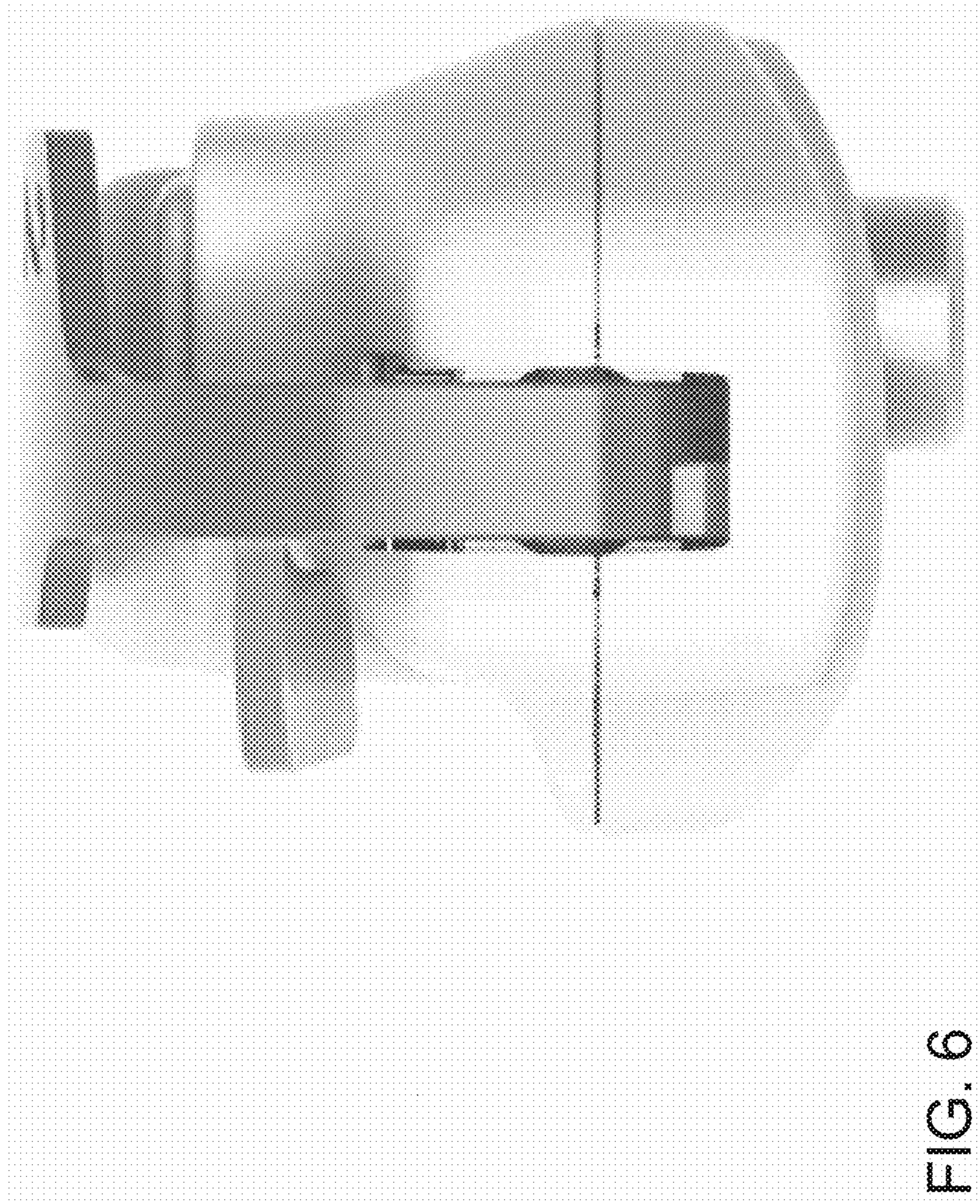


FIG. 6

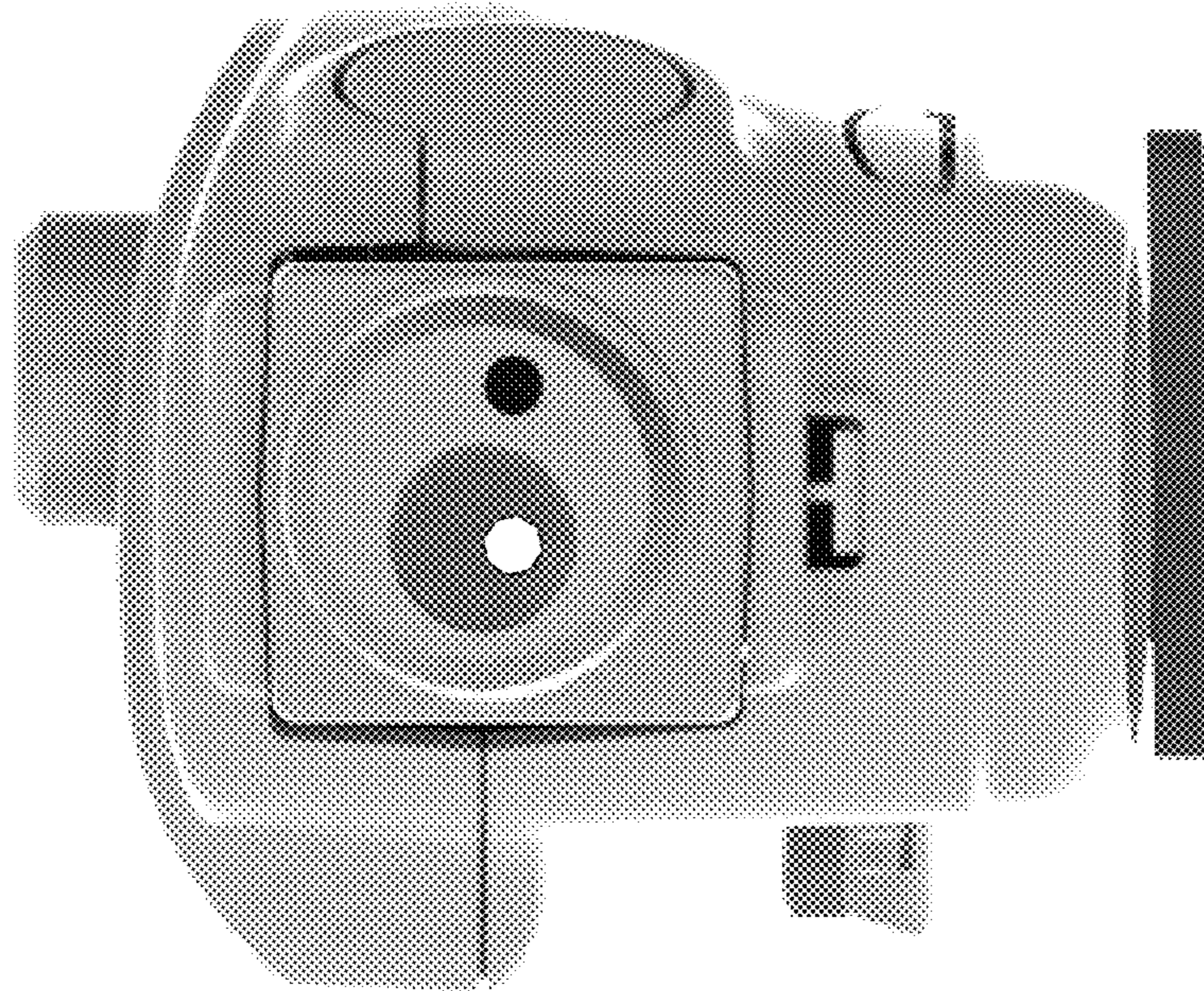


FIG. 7

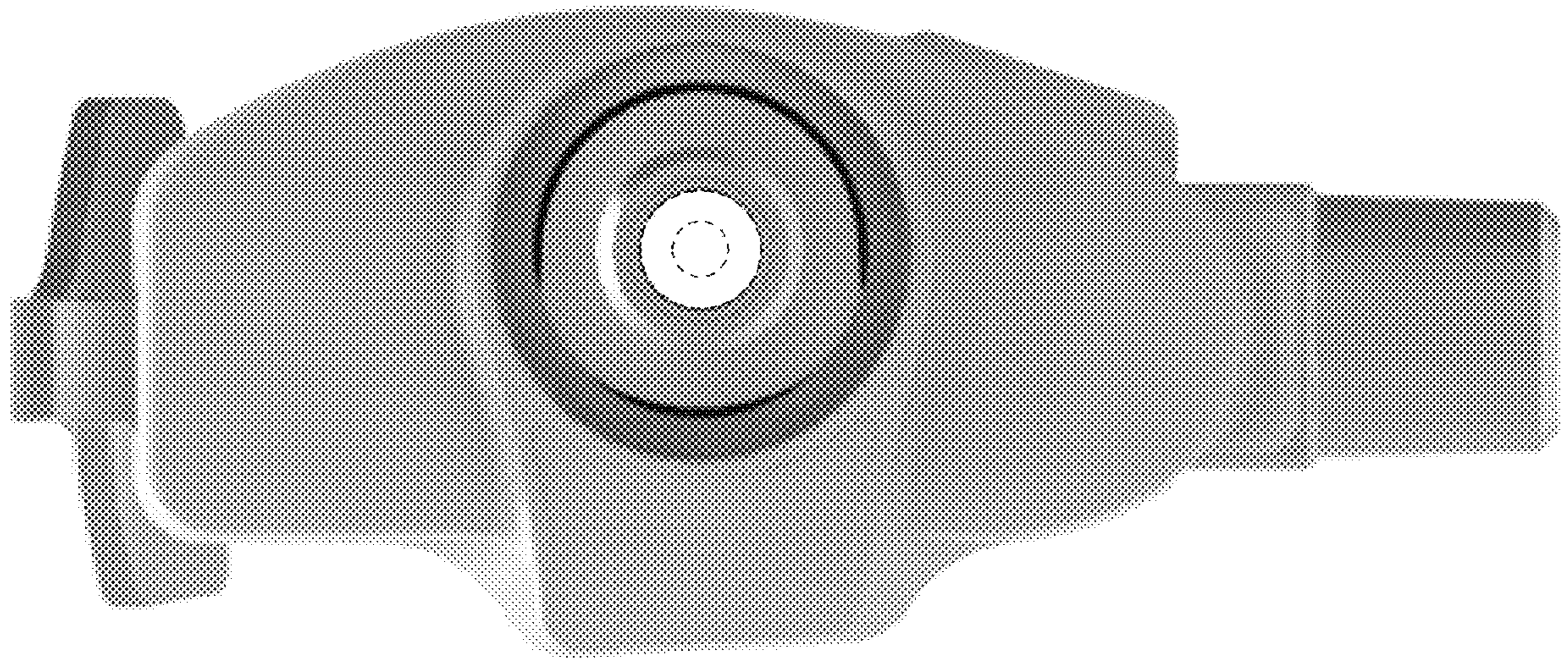


FIG. 8

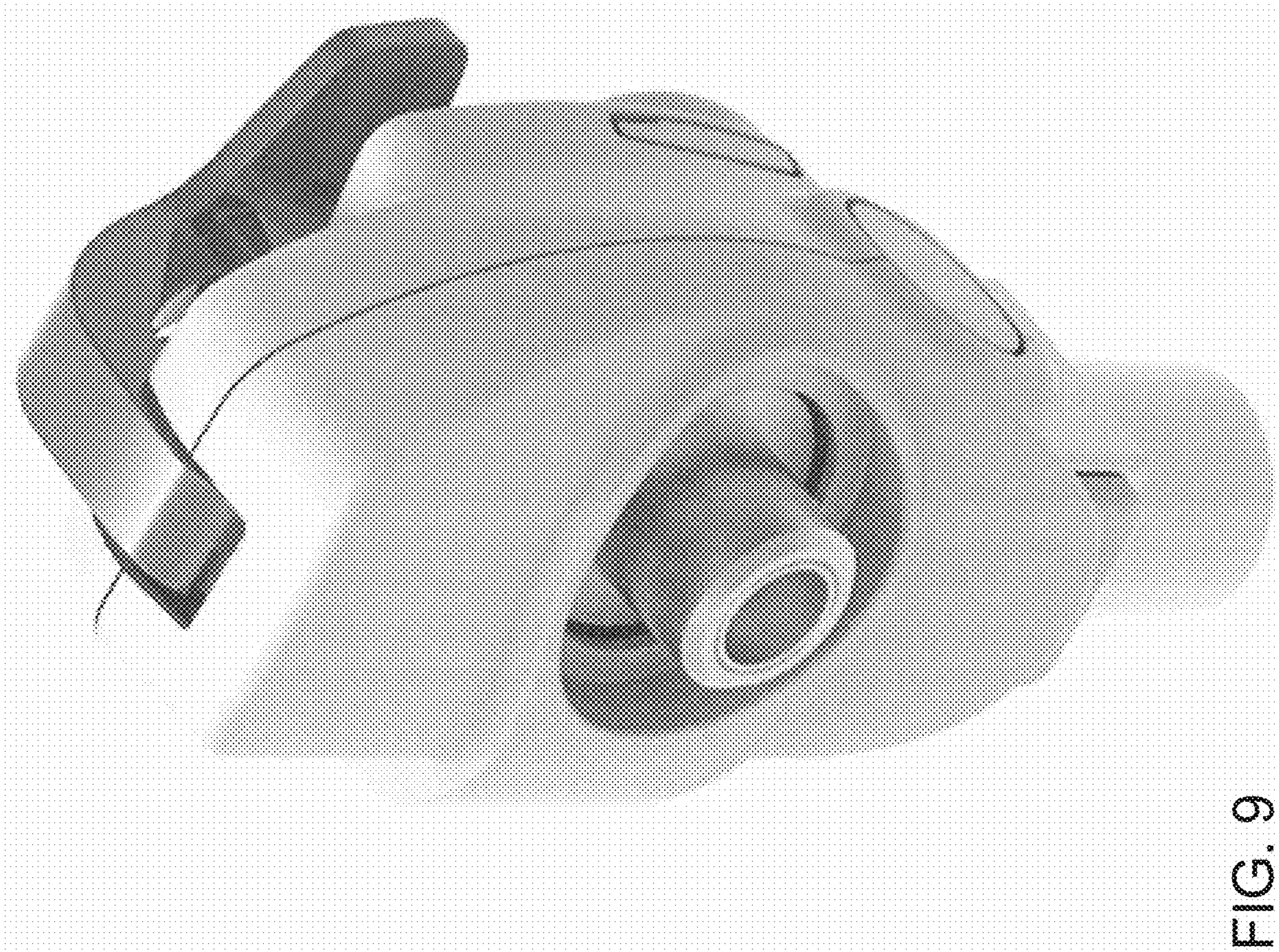


FIG. 9



FIG. 10



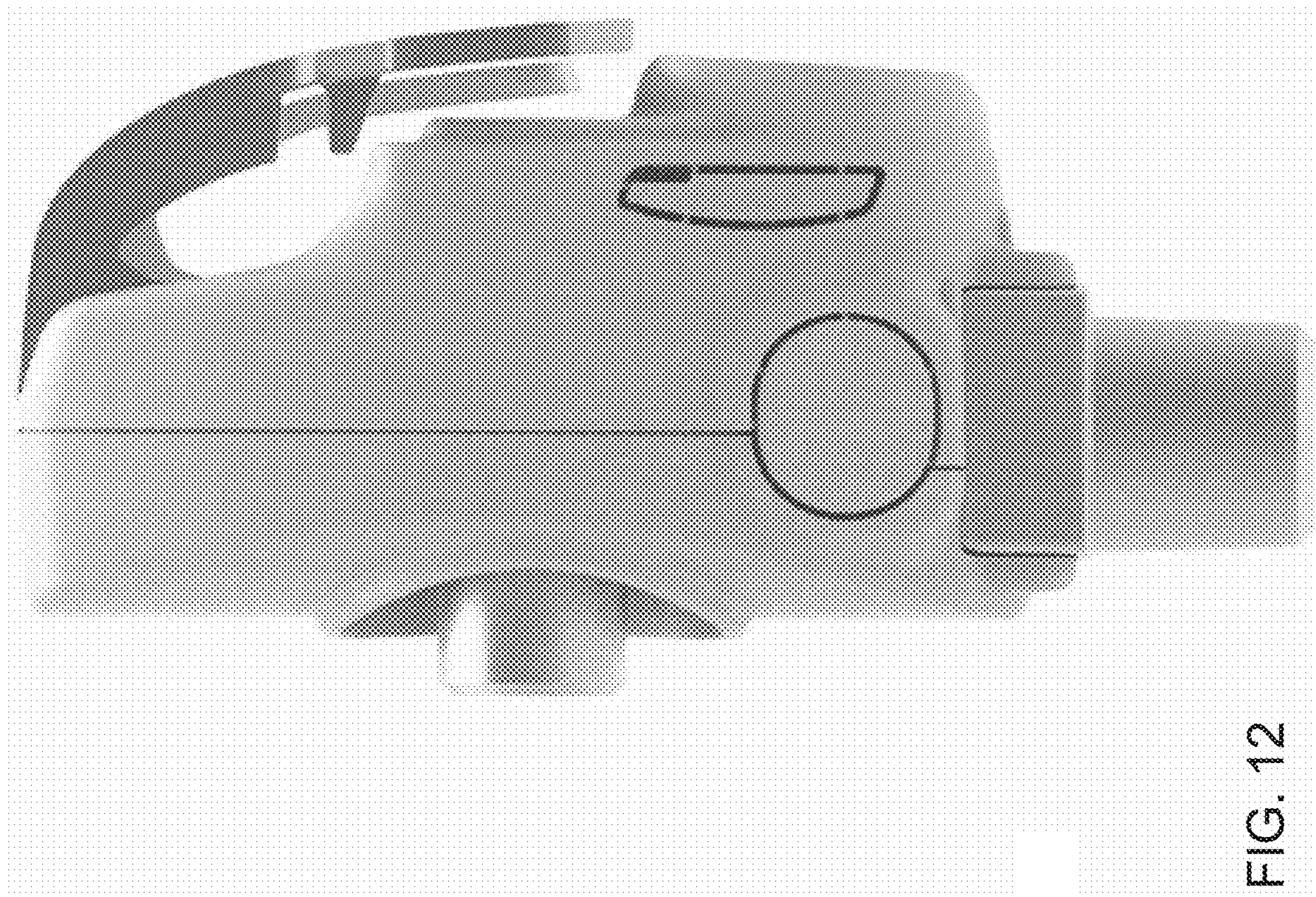


FIG. 12

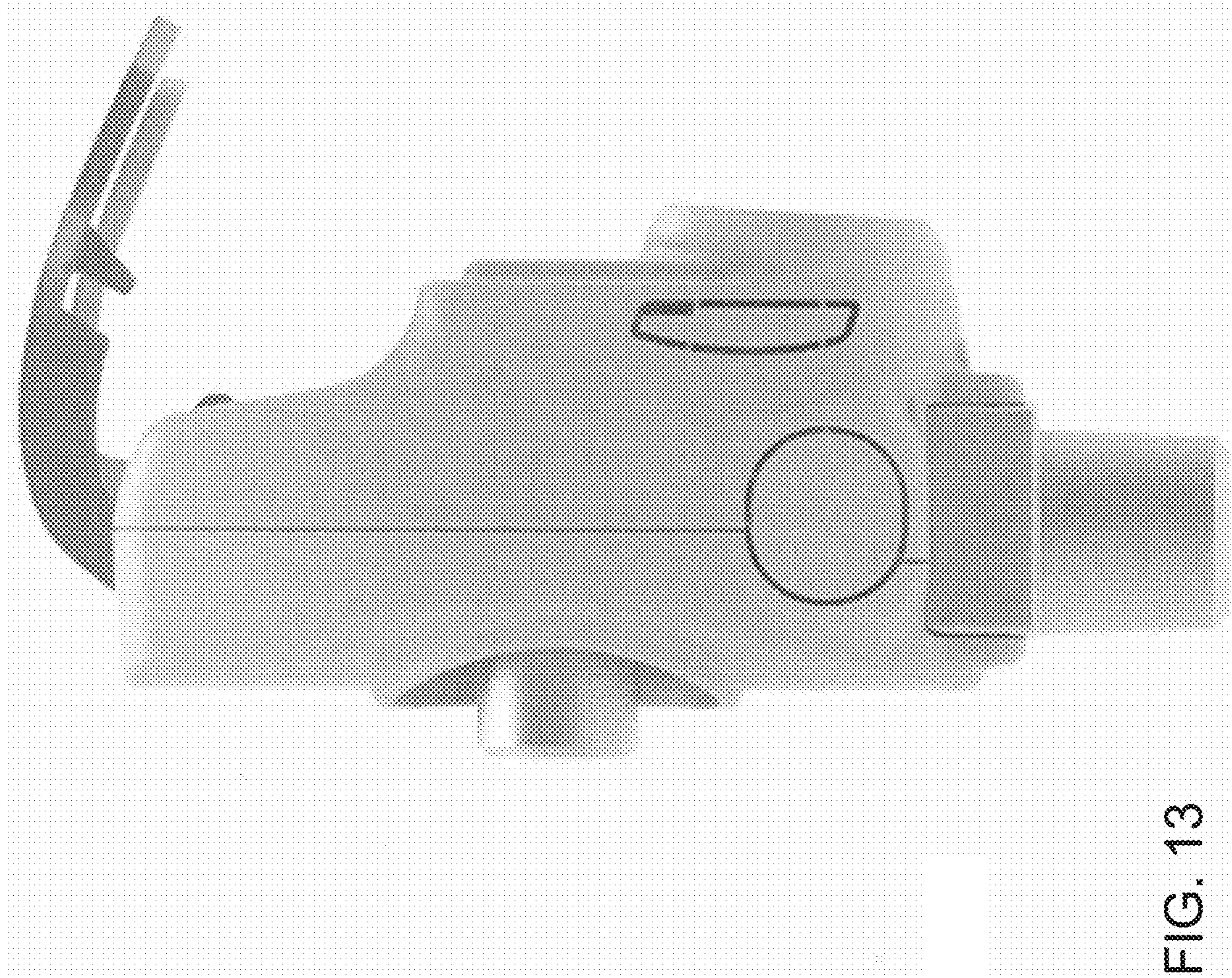


FIG. 13

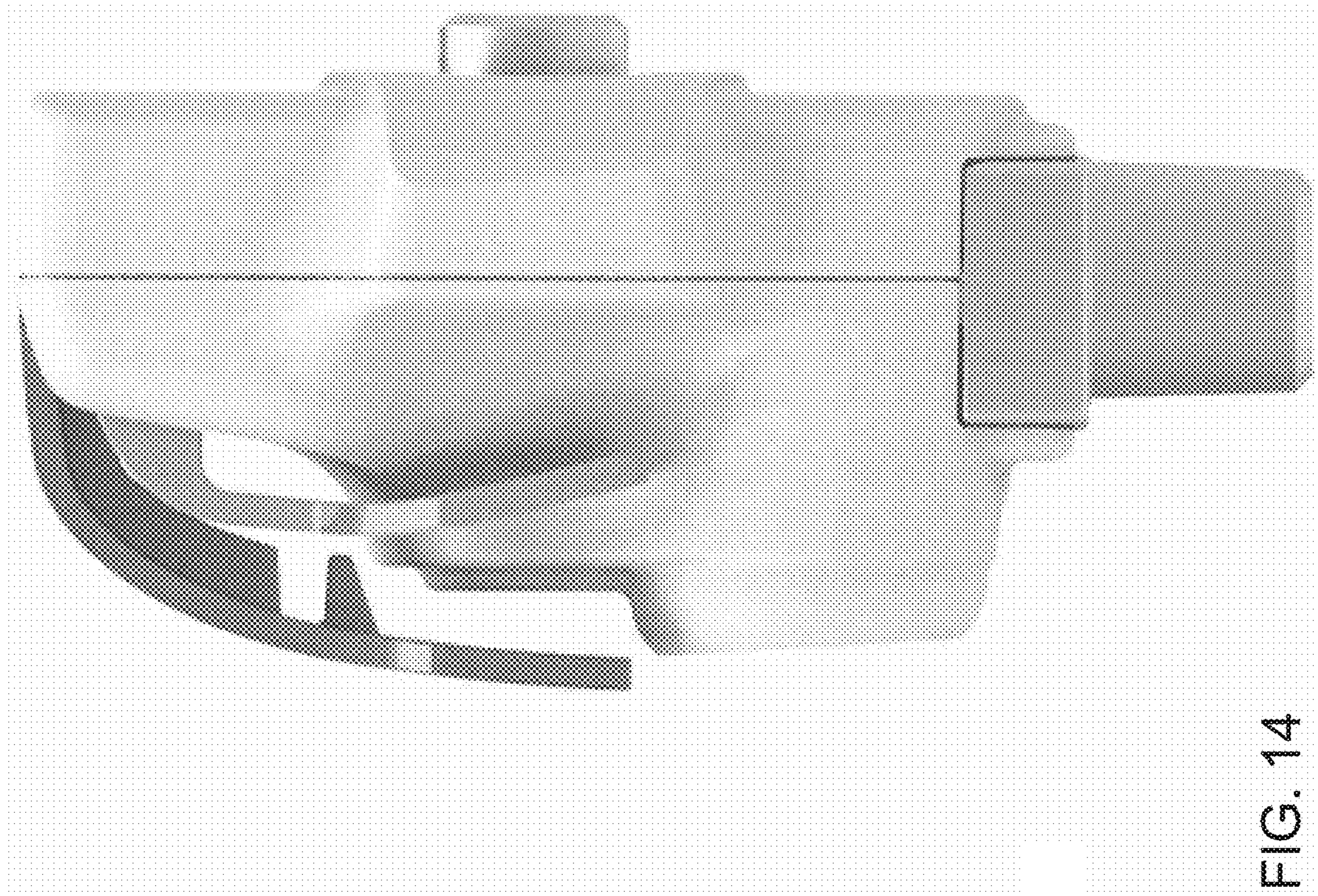


FIG. 14

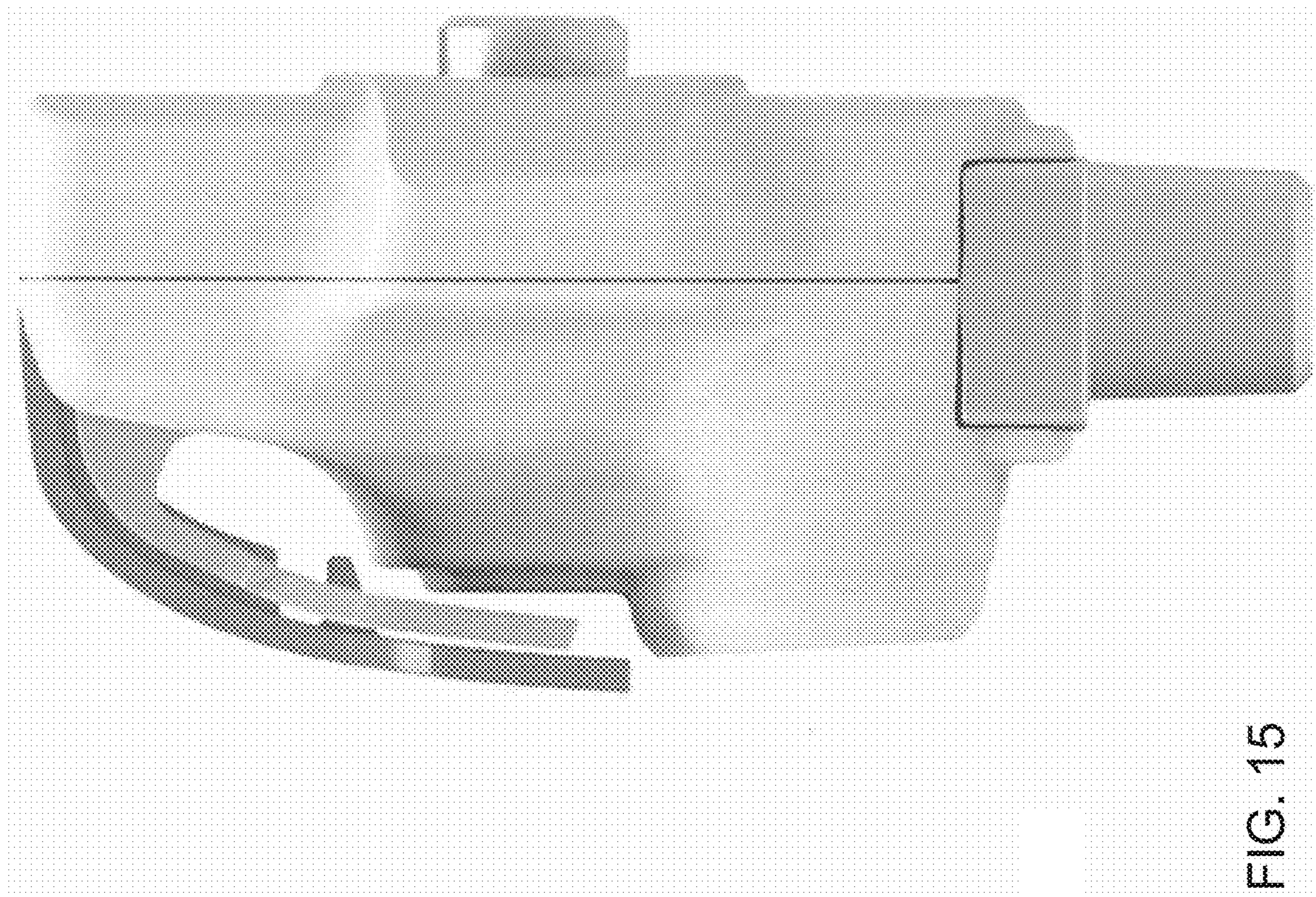


FIG. 15

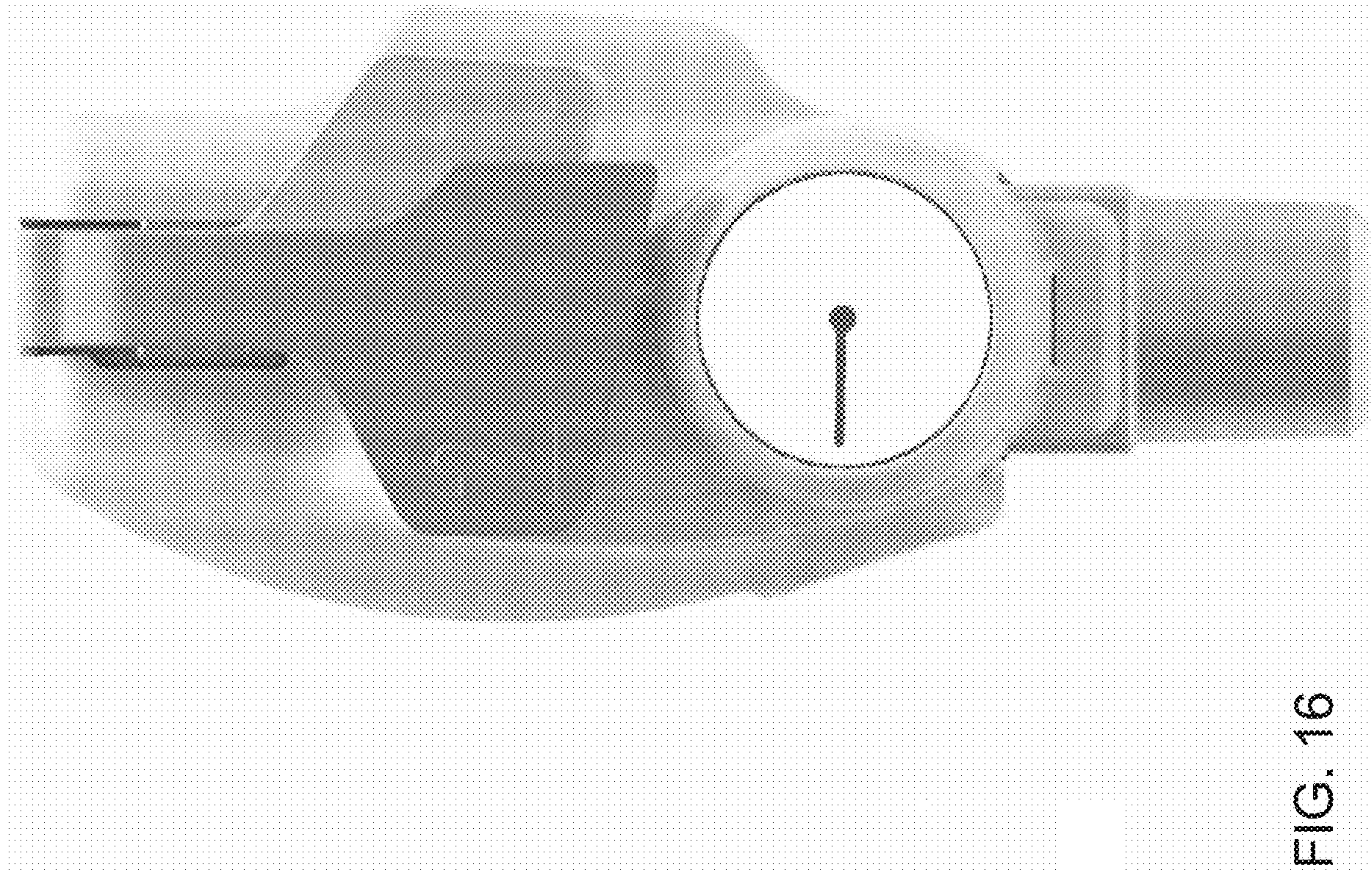


FIG. 16

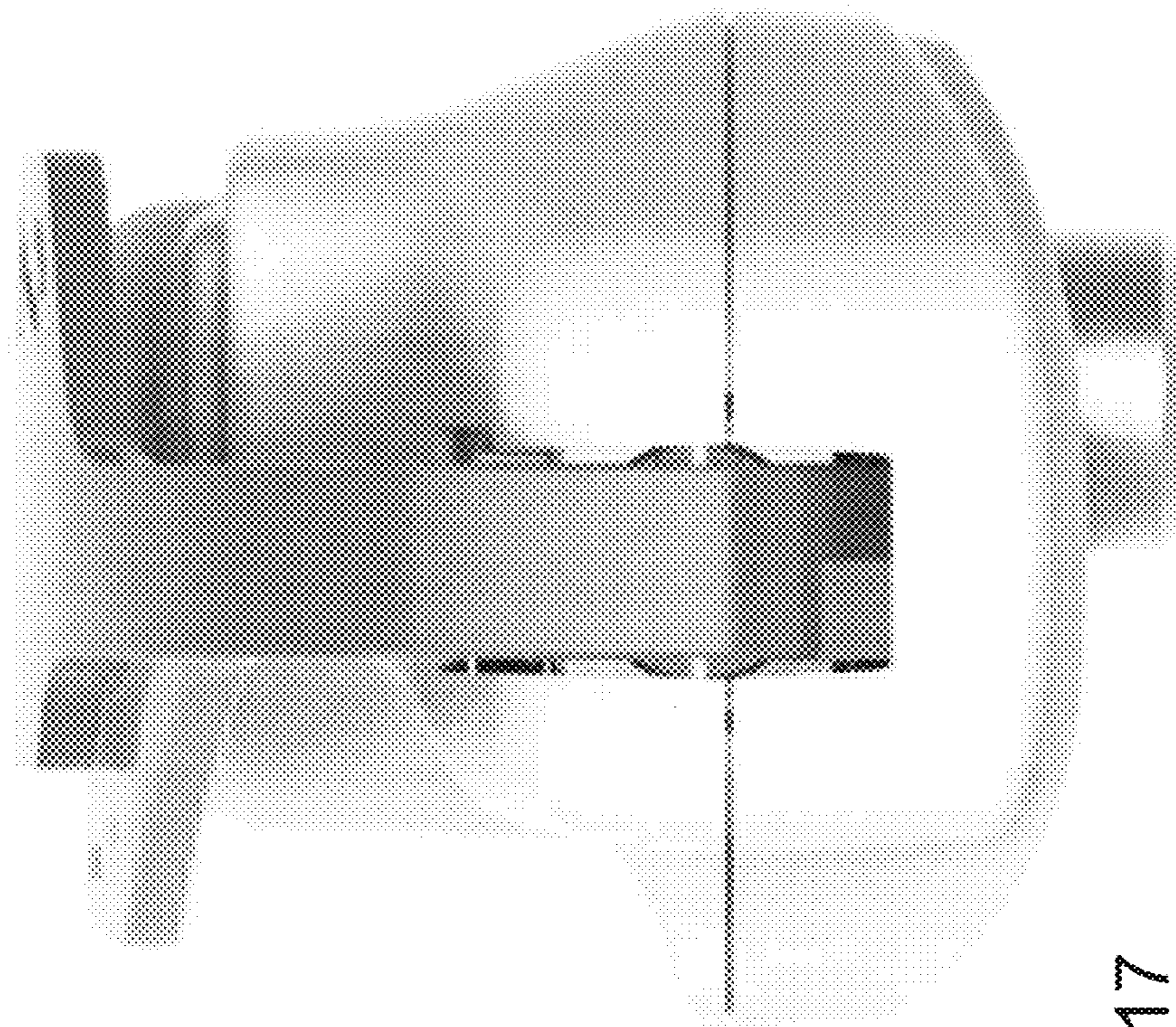
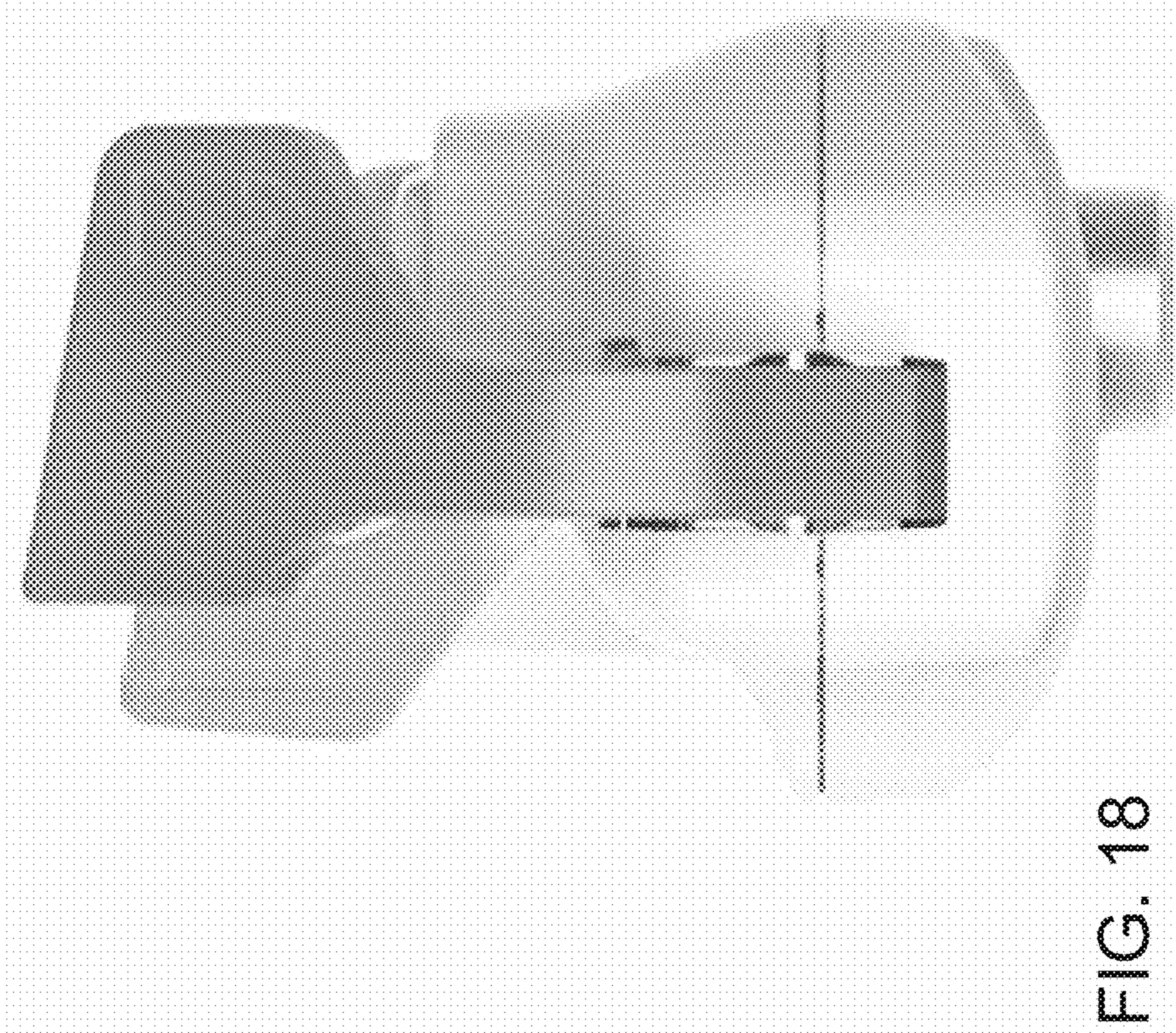


FIG. 17



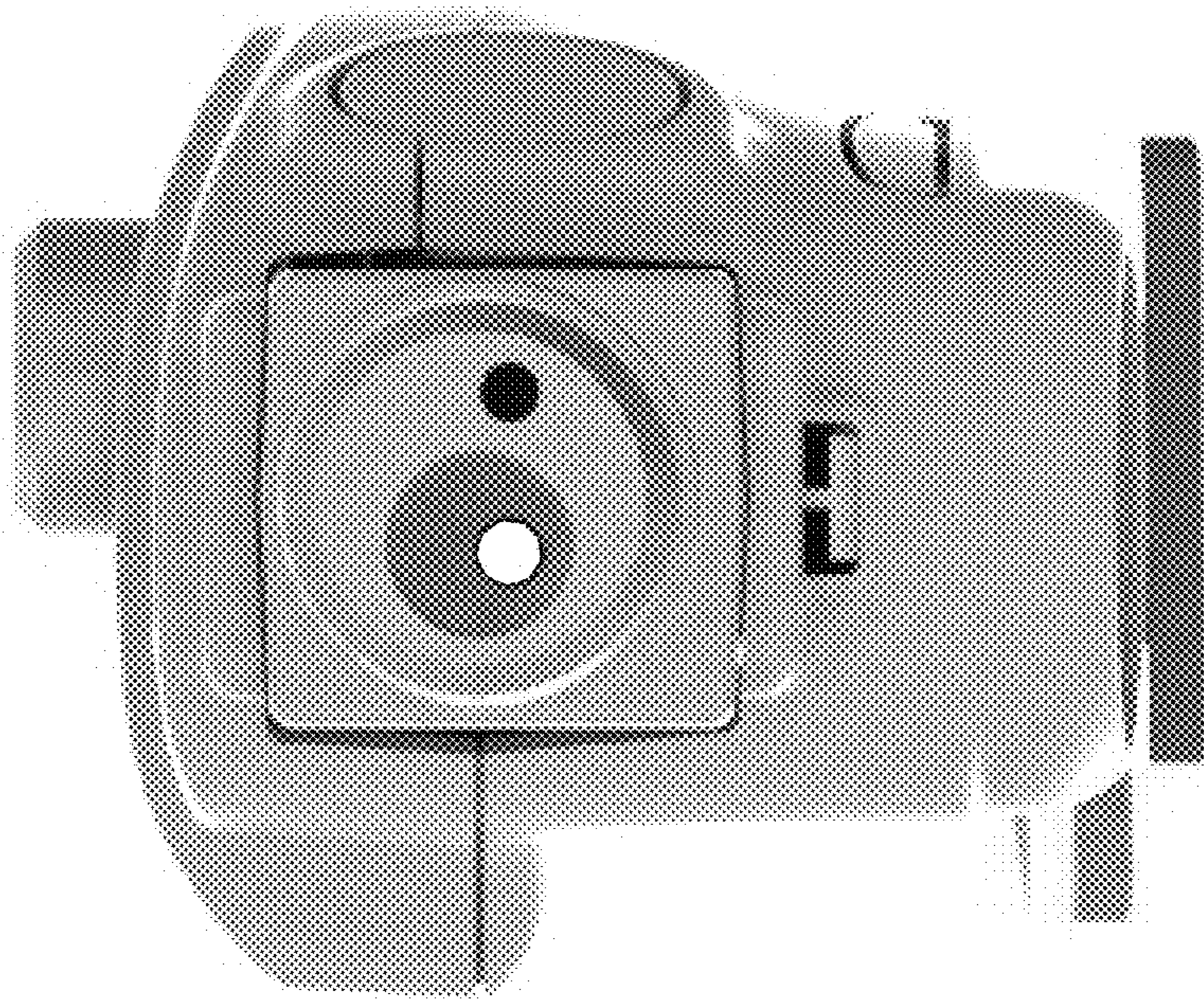


FIG. 19

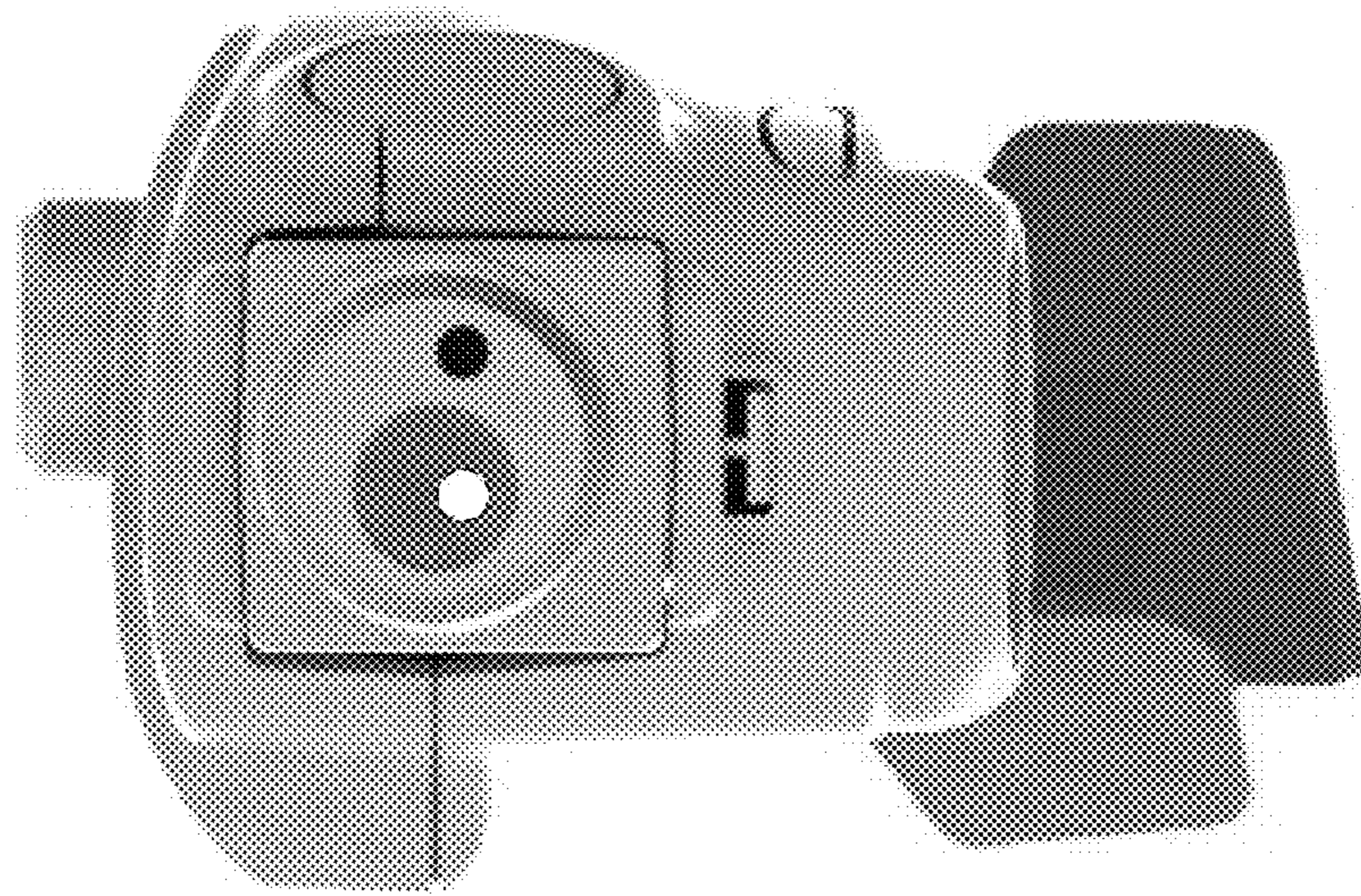


FIG. 20



FIG. 21



FIG. 22



FIG. 23

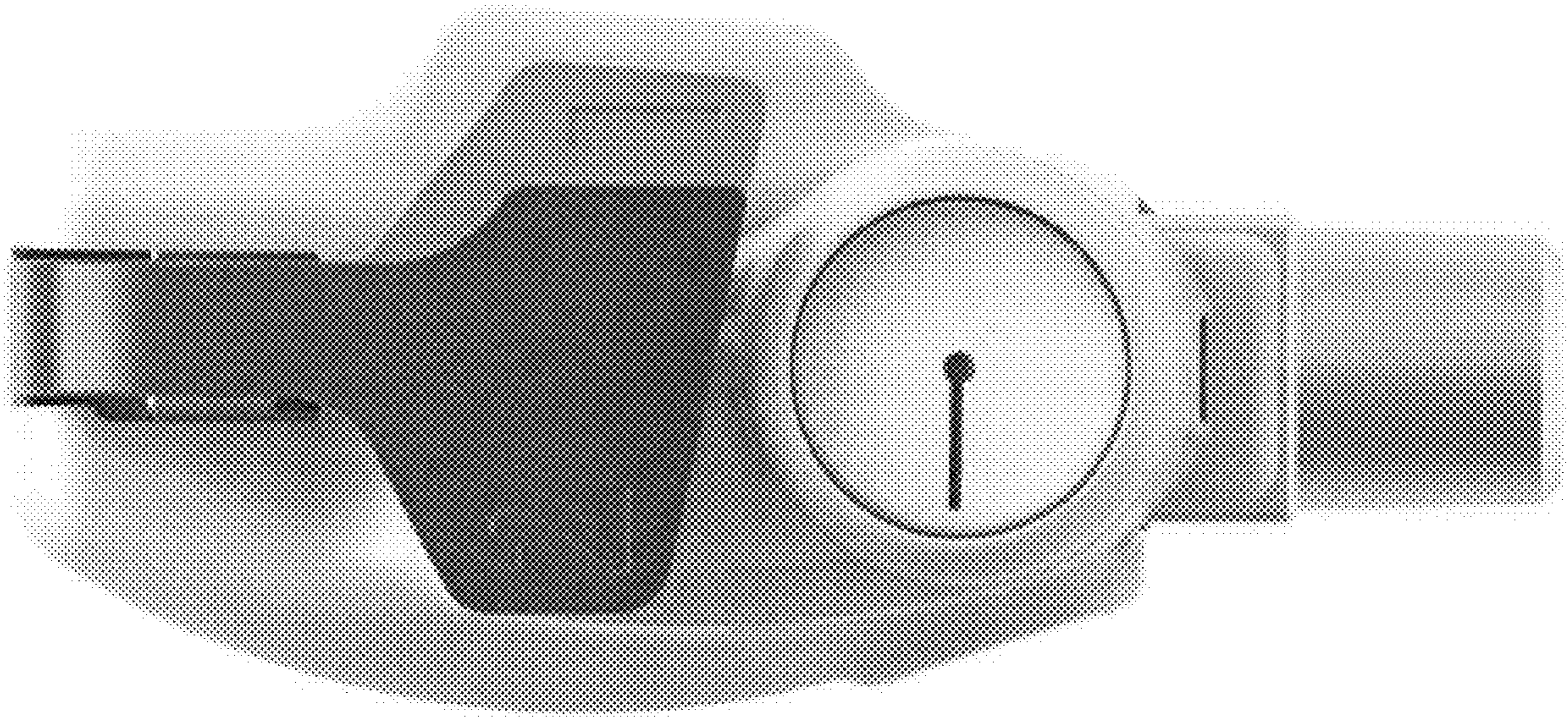


FIG. 24

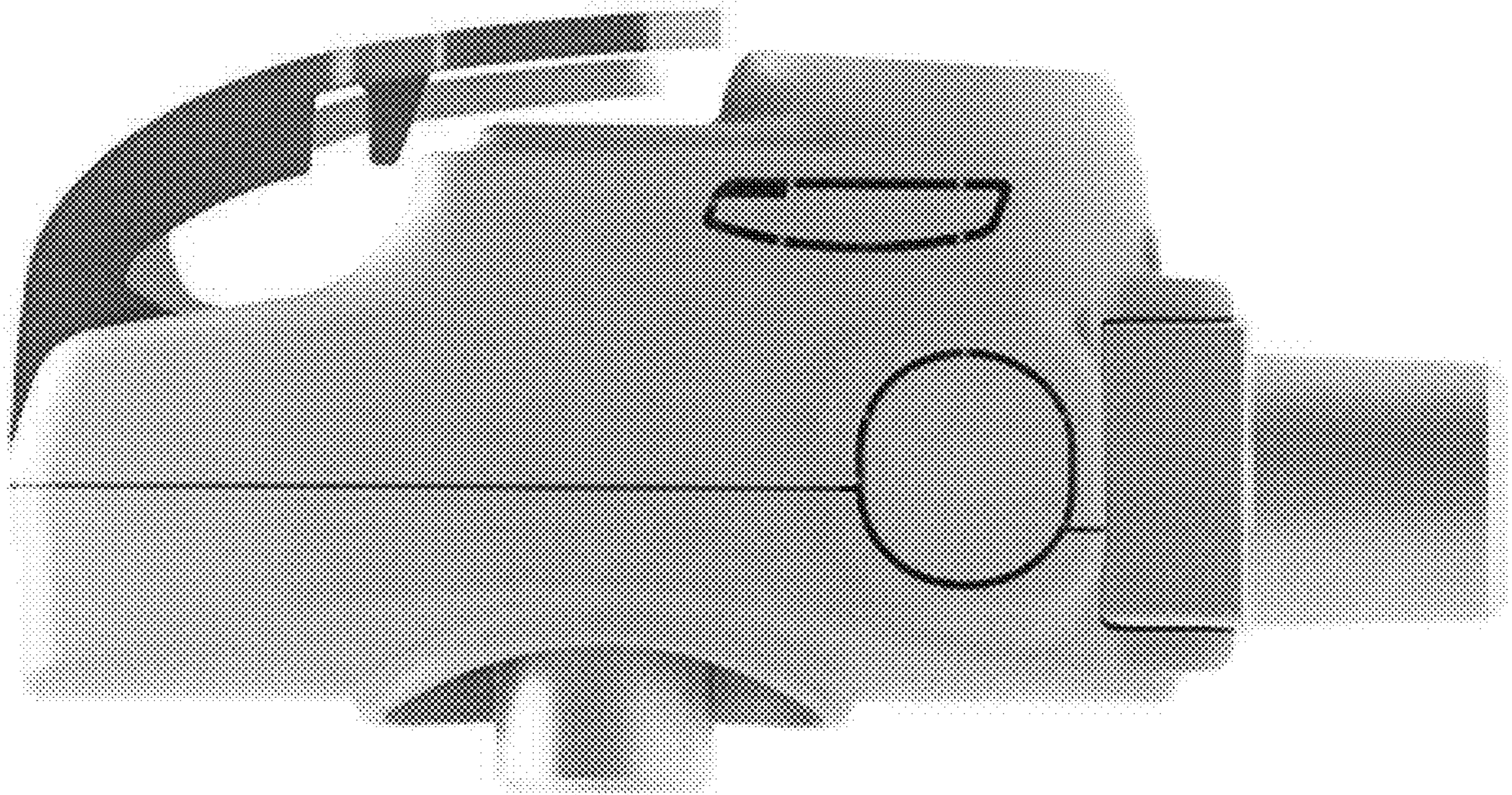


FIG. 25

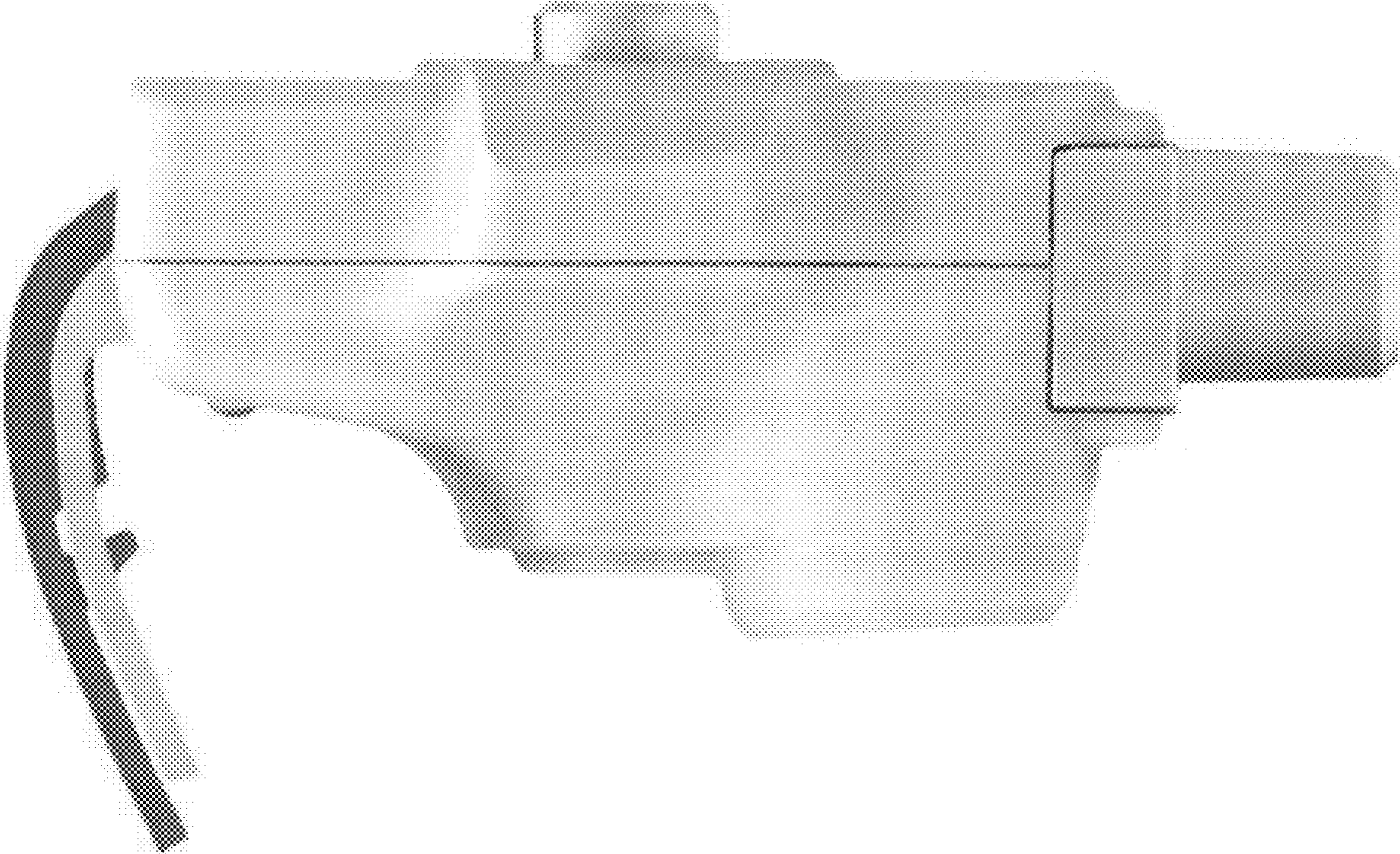


FIG. 26

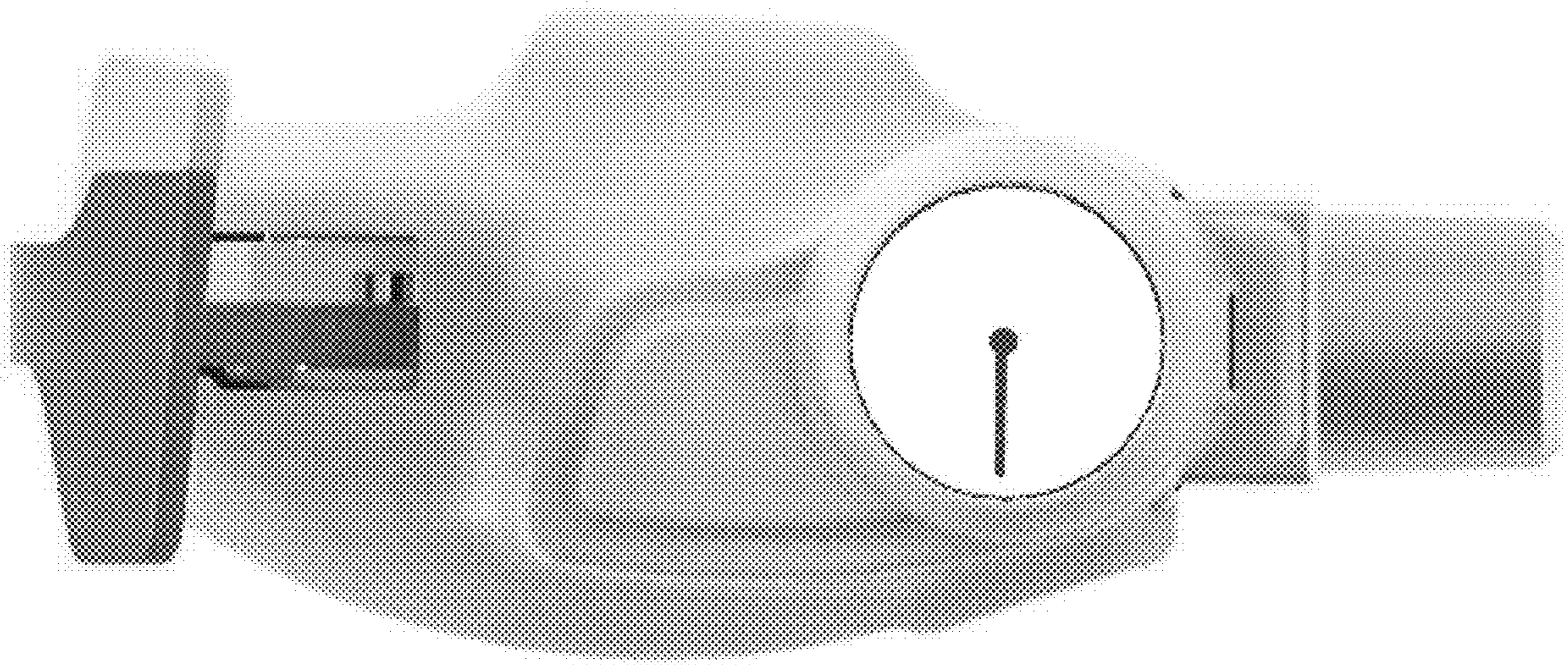


FIG. 27

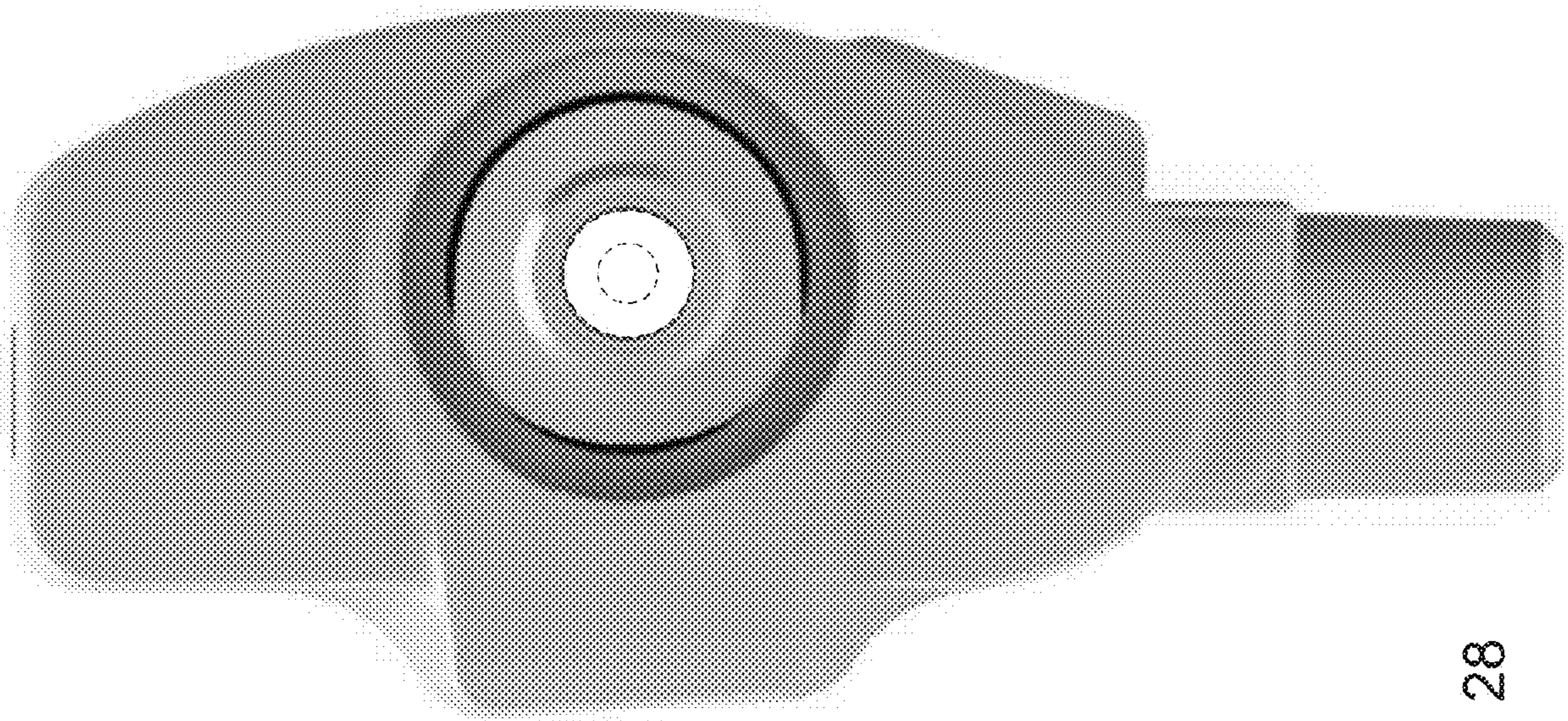


FIG. 28

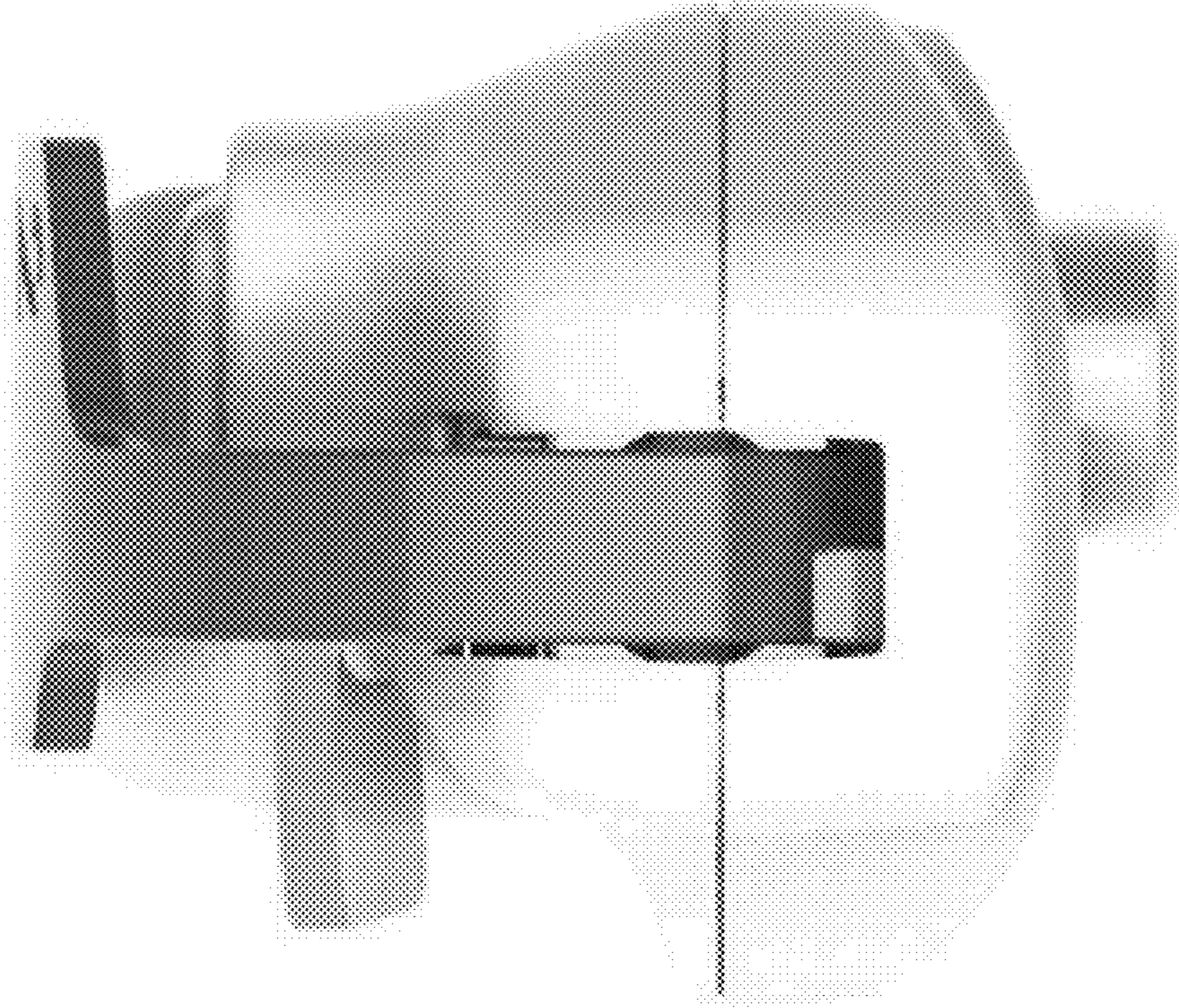


FIG. 29

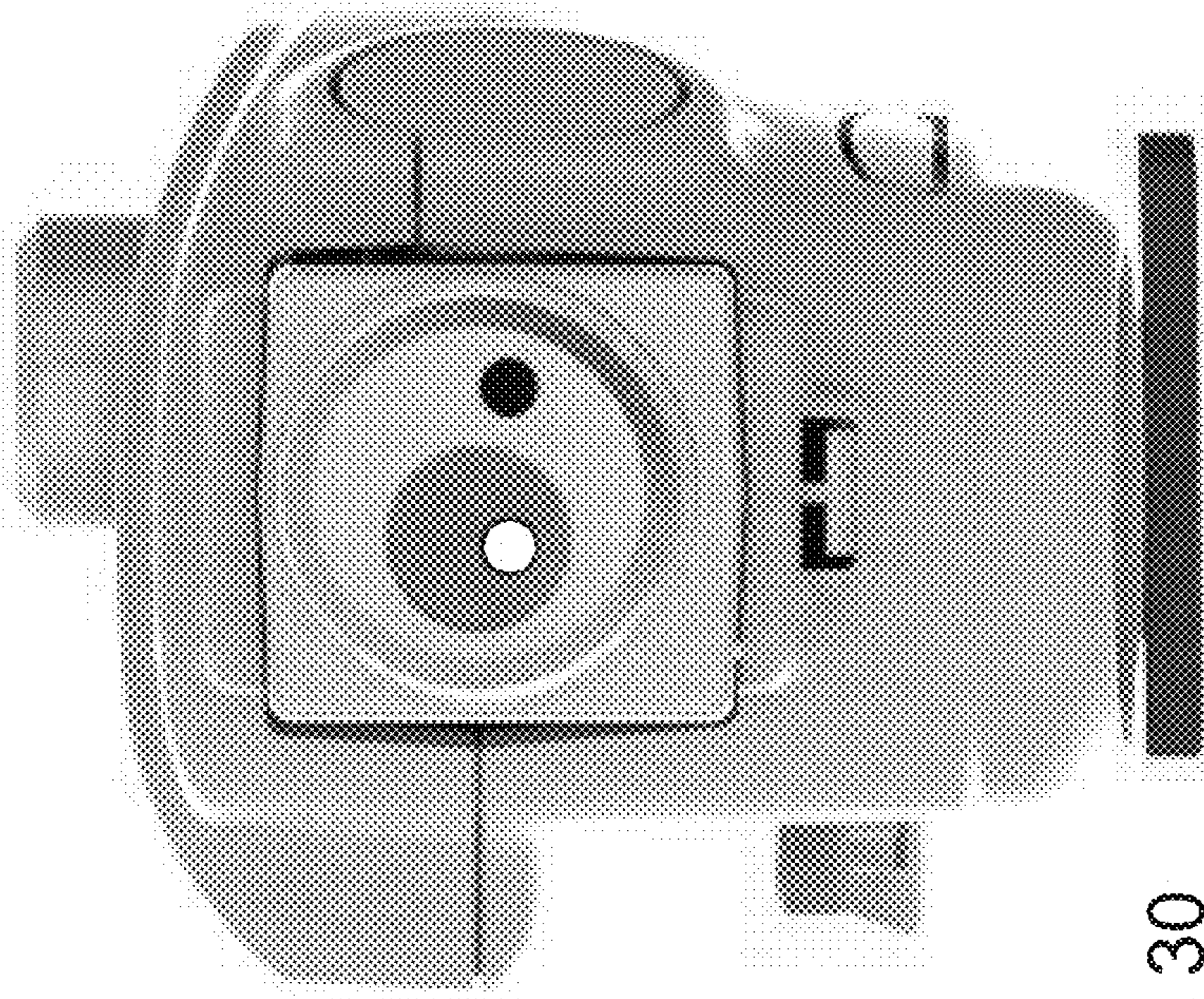


FIG. 30

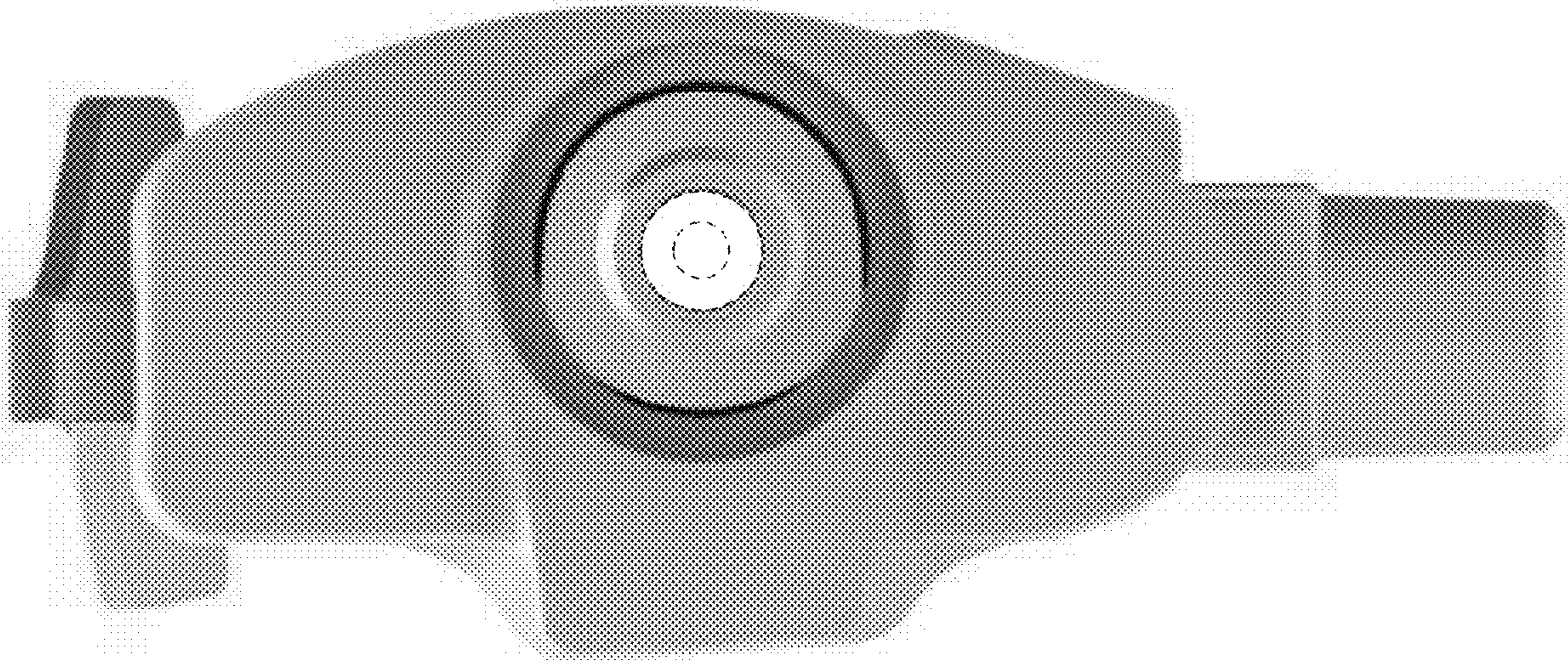


FIG. 31

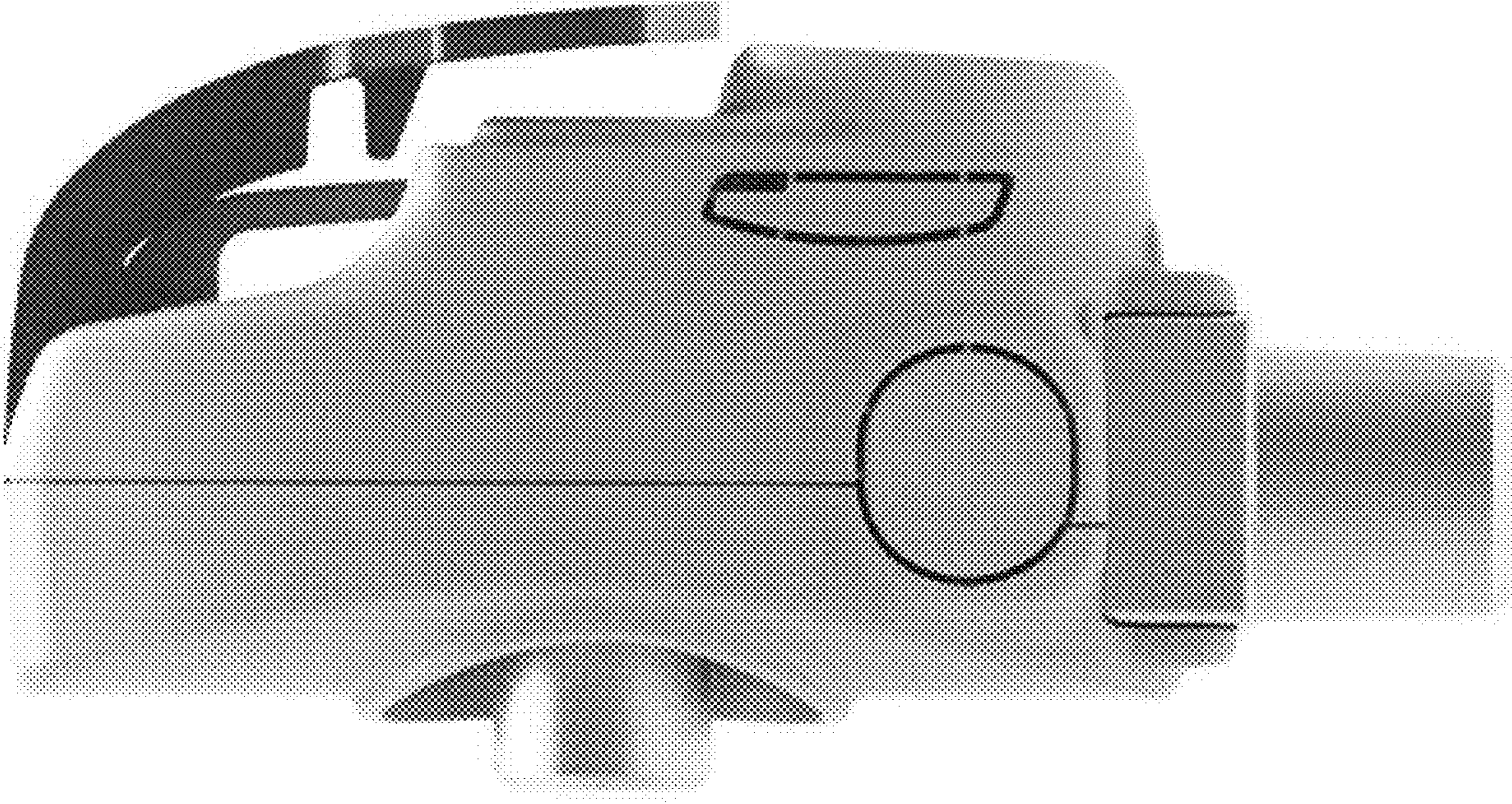


FIG. 32

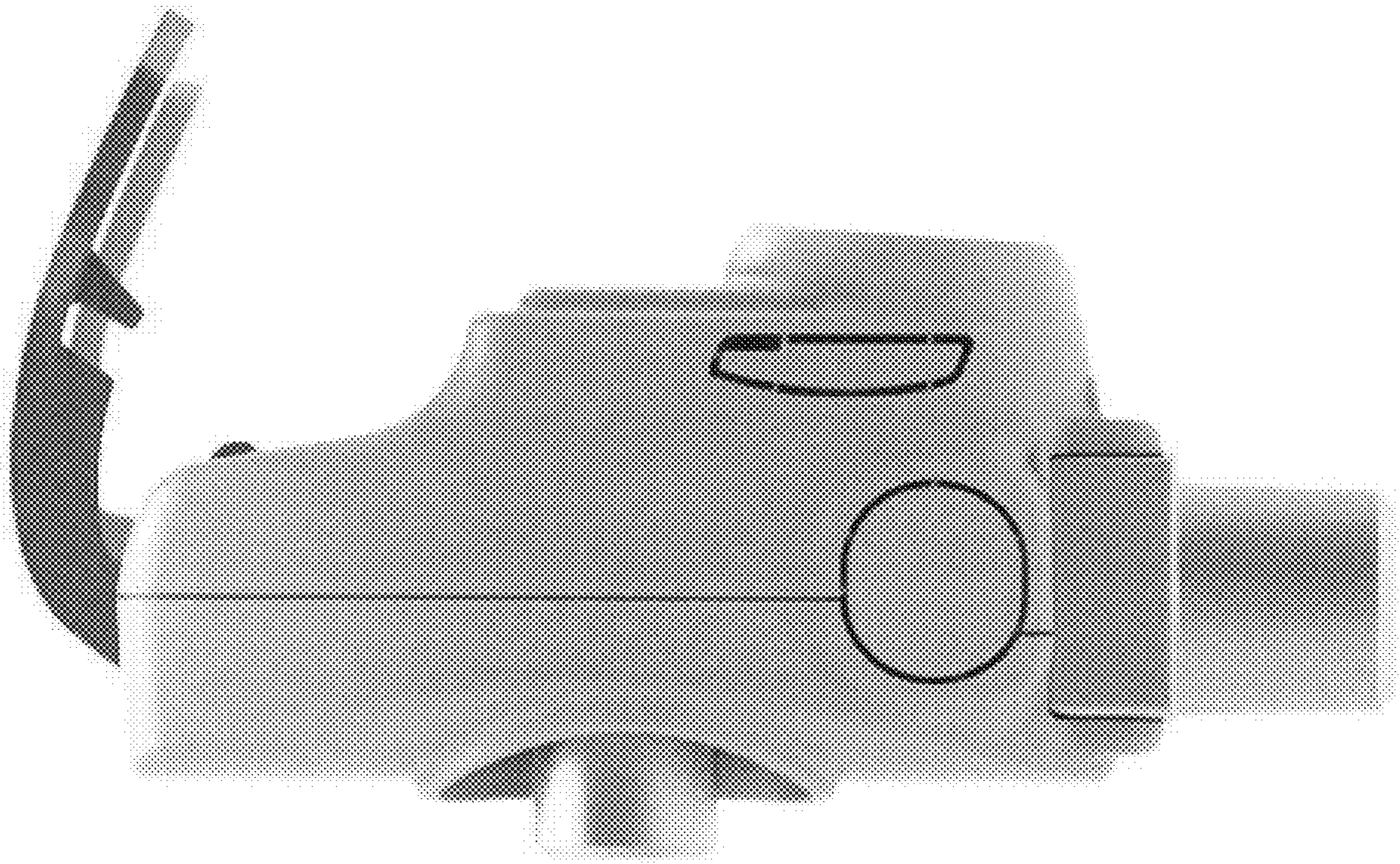


FIG. 33

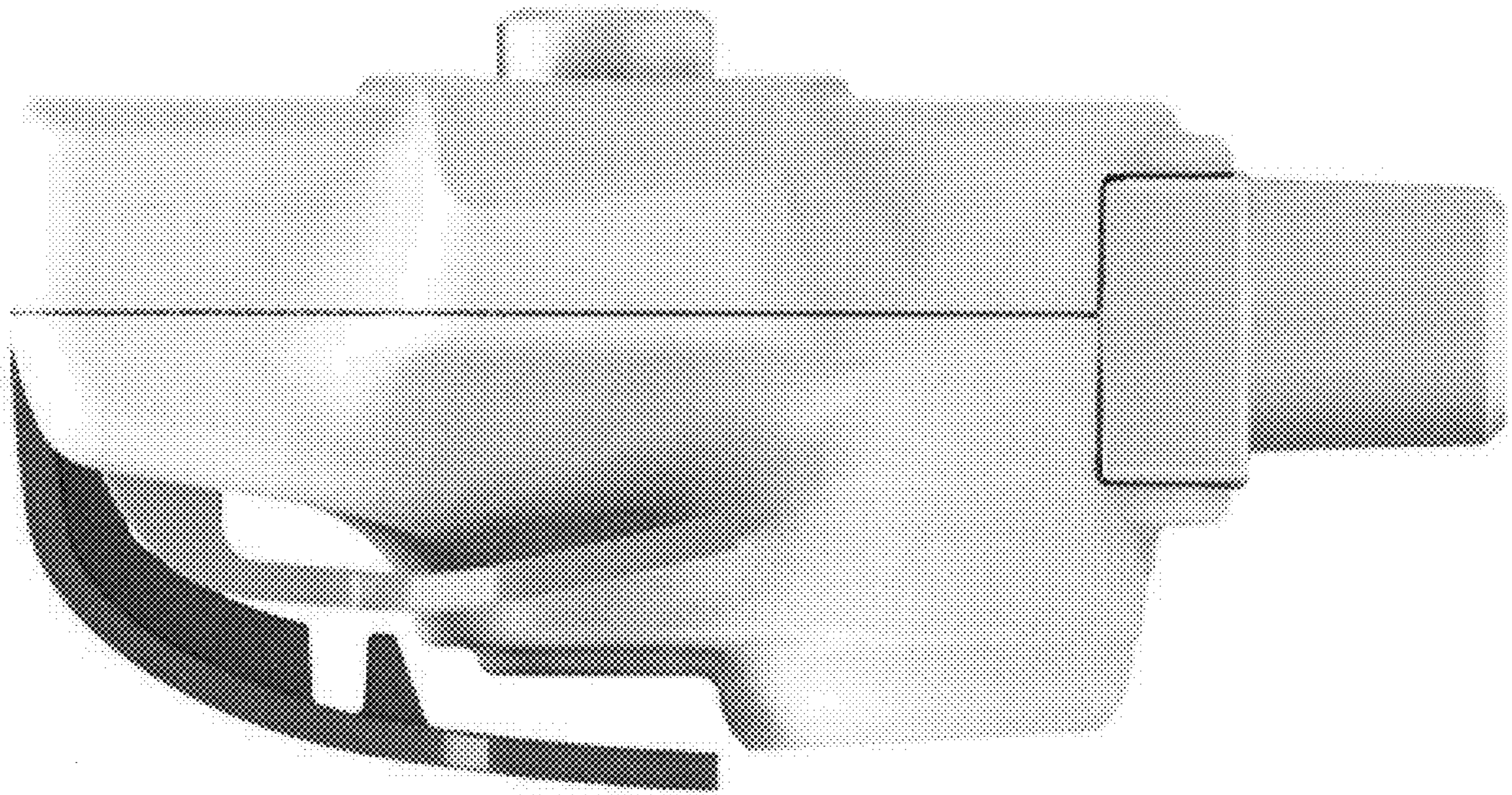


FIG. 34

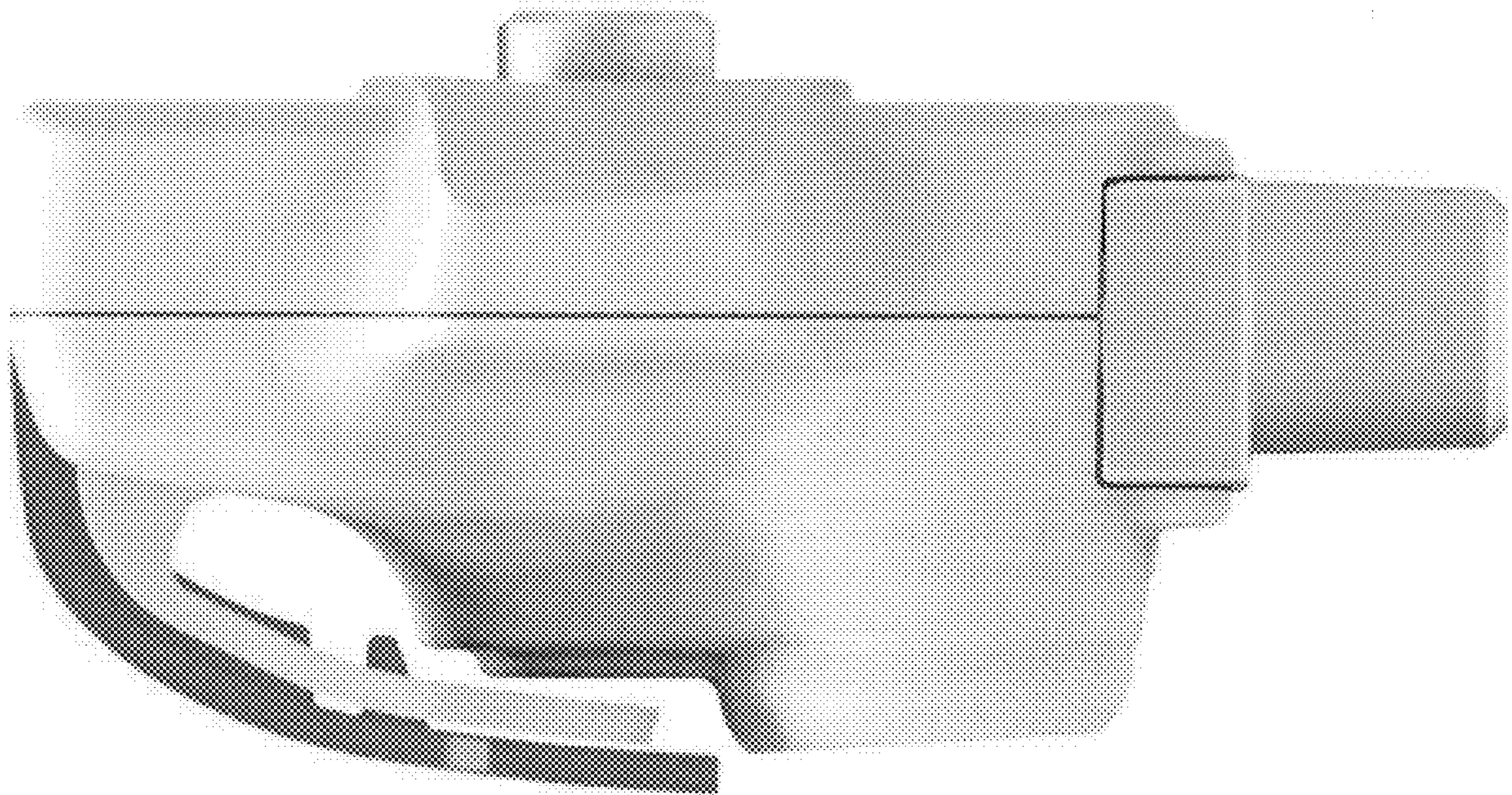


FIG. 35

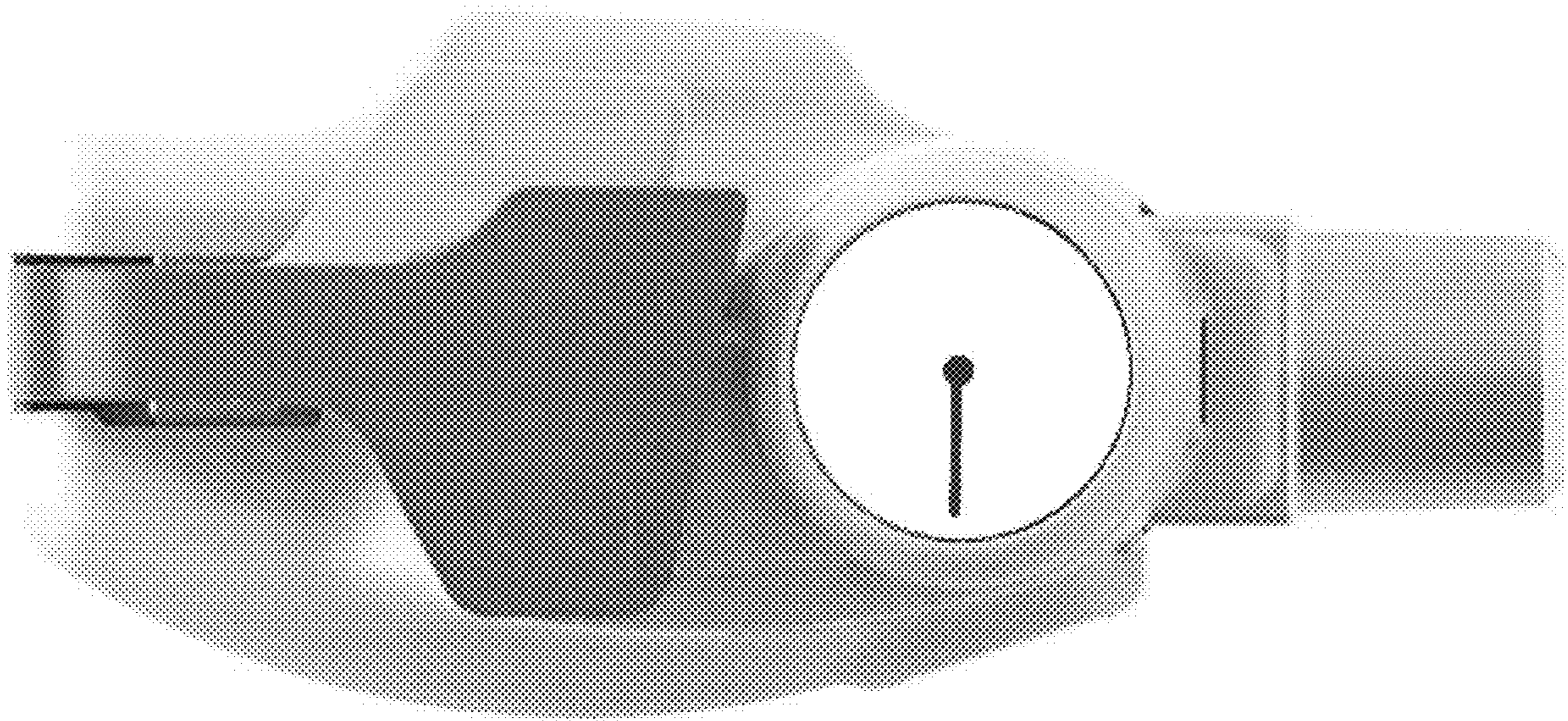


FIG. 36

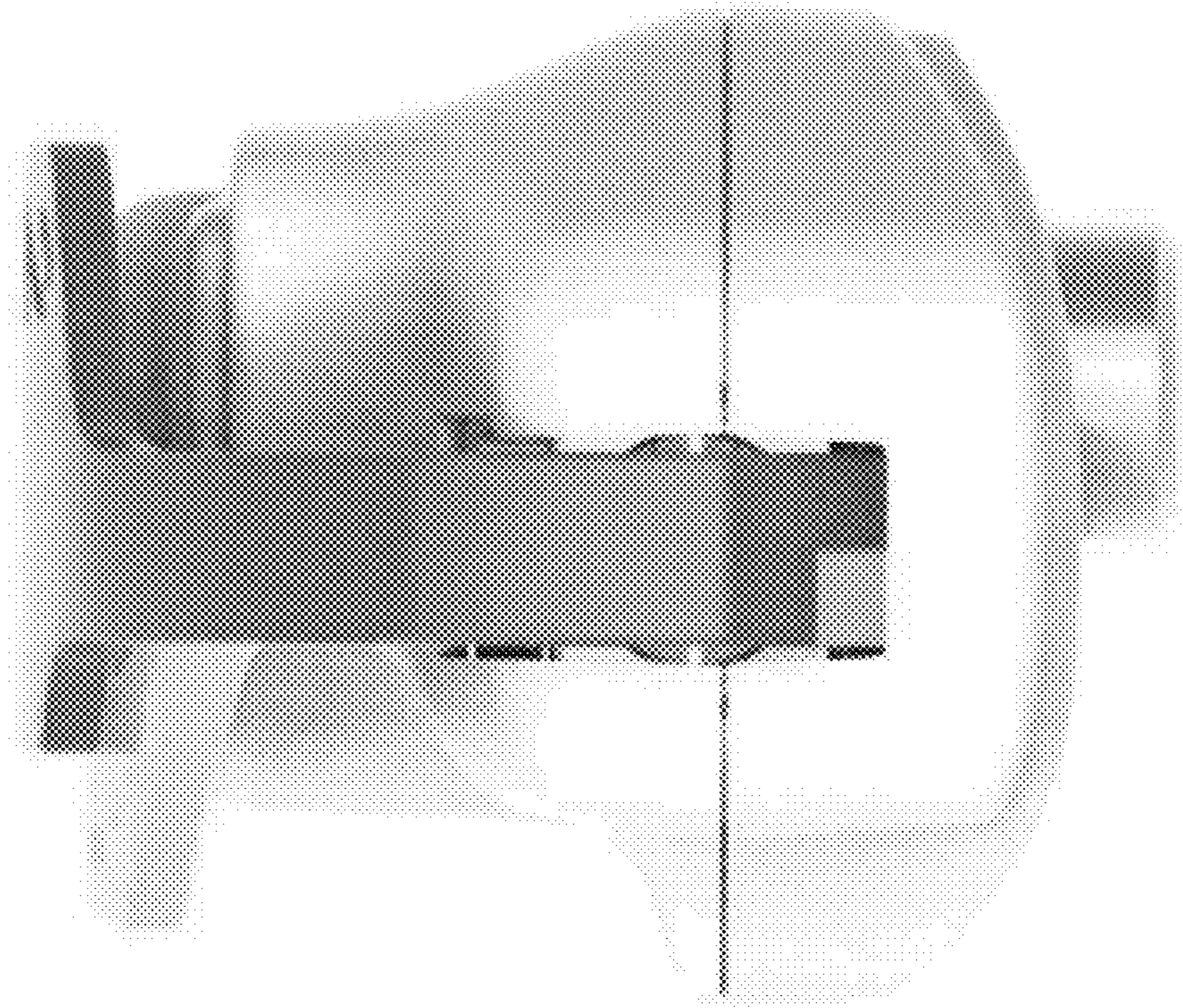


FIG. 37

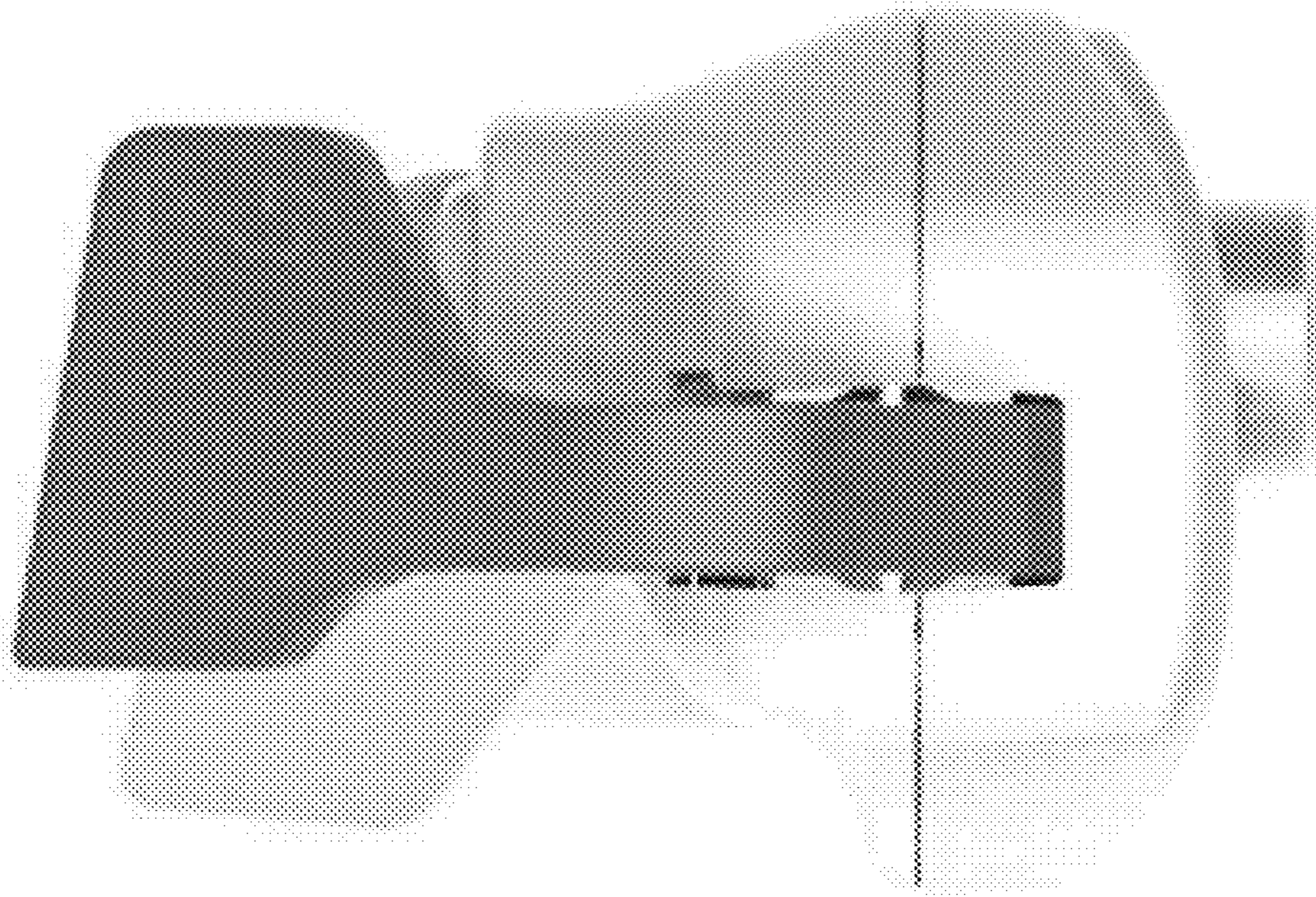


FIG. 38

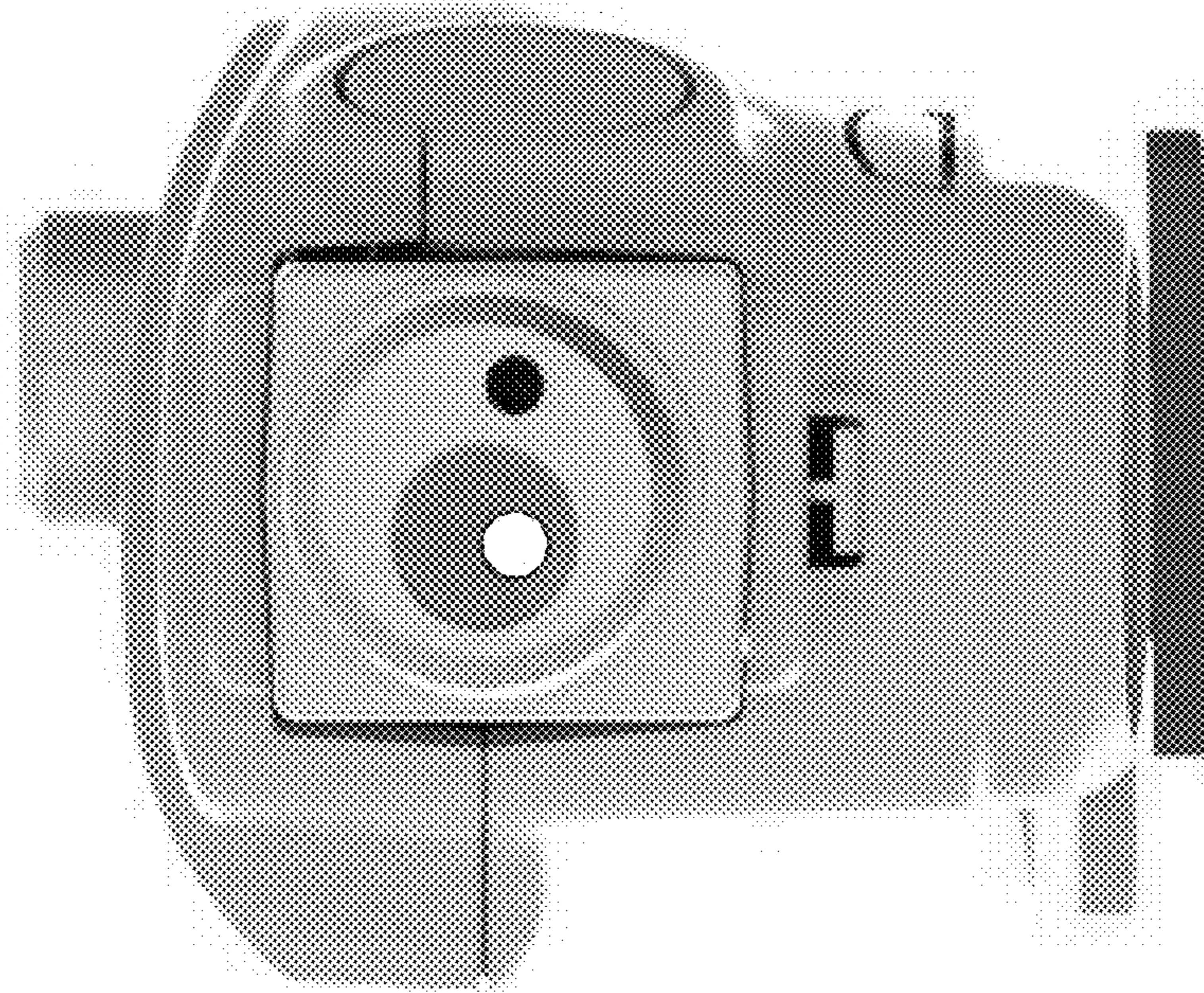


FIG. 39

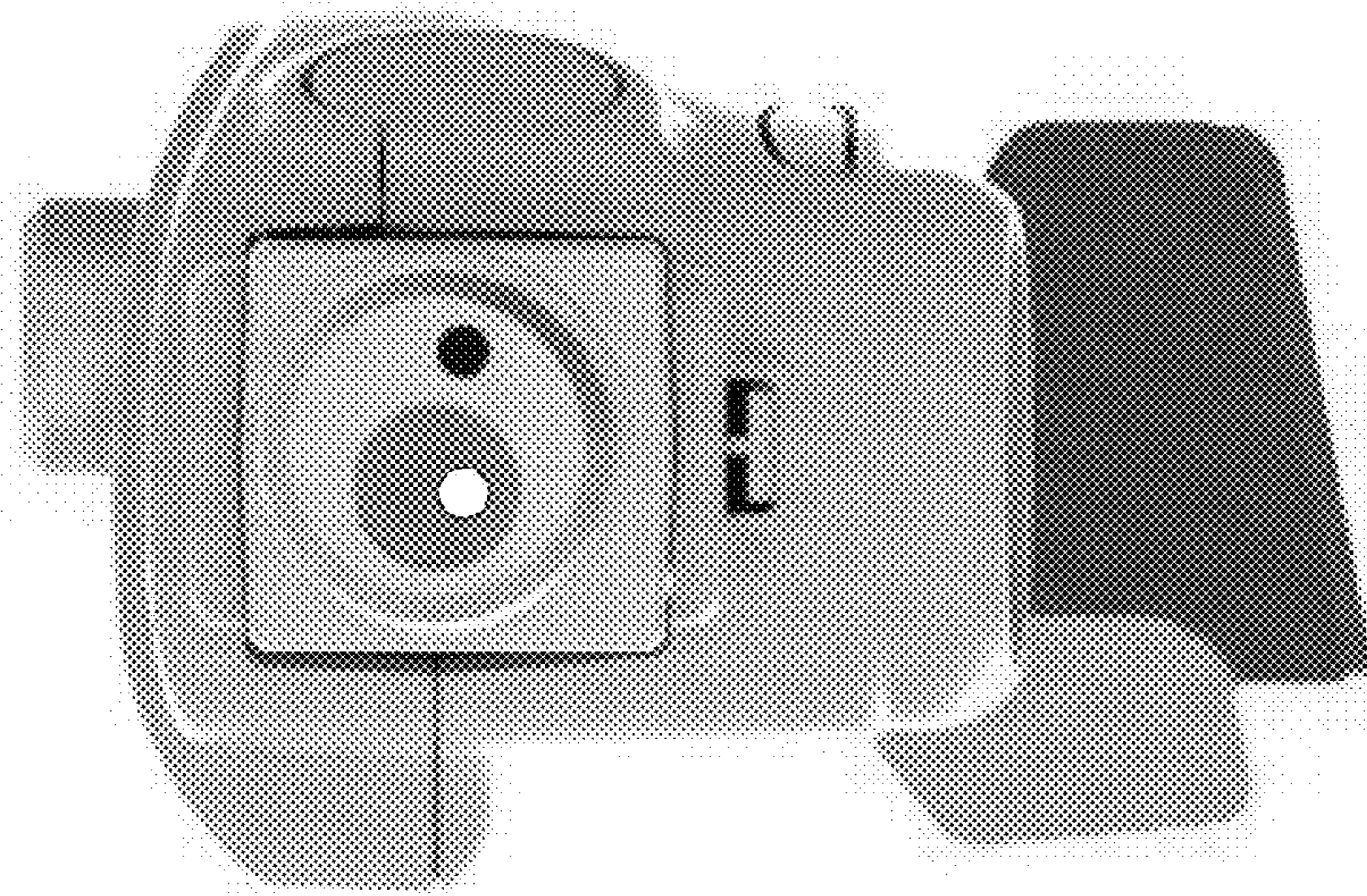


FIG. 40

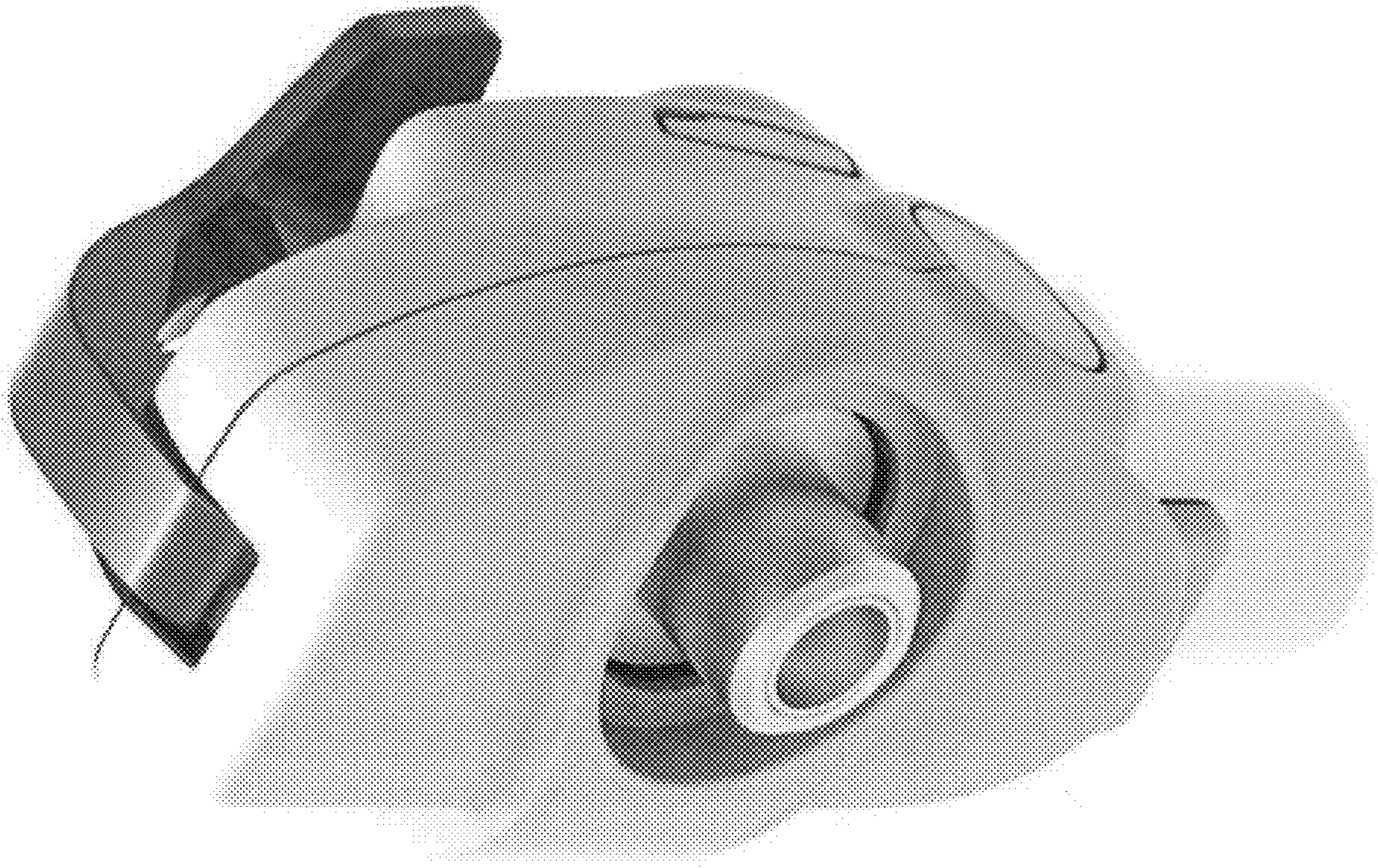


FIG. 41

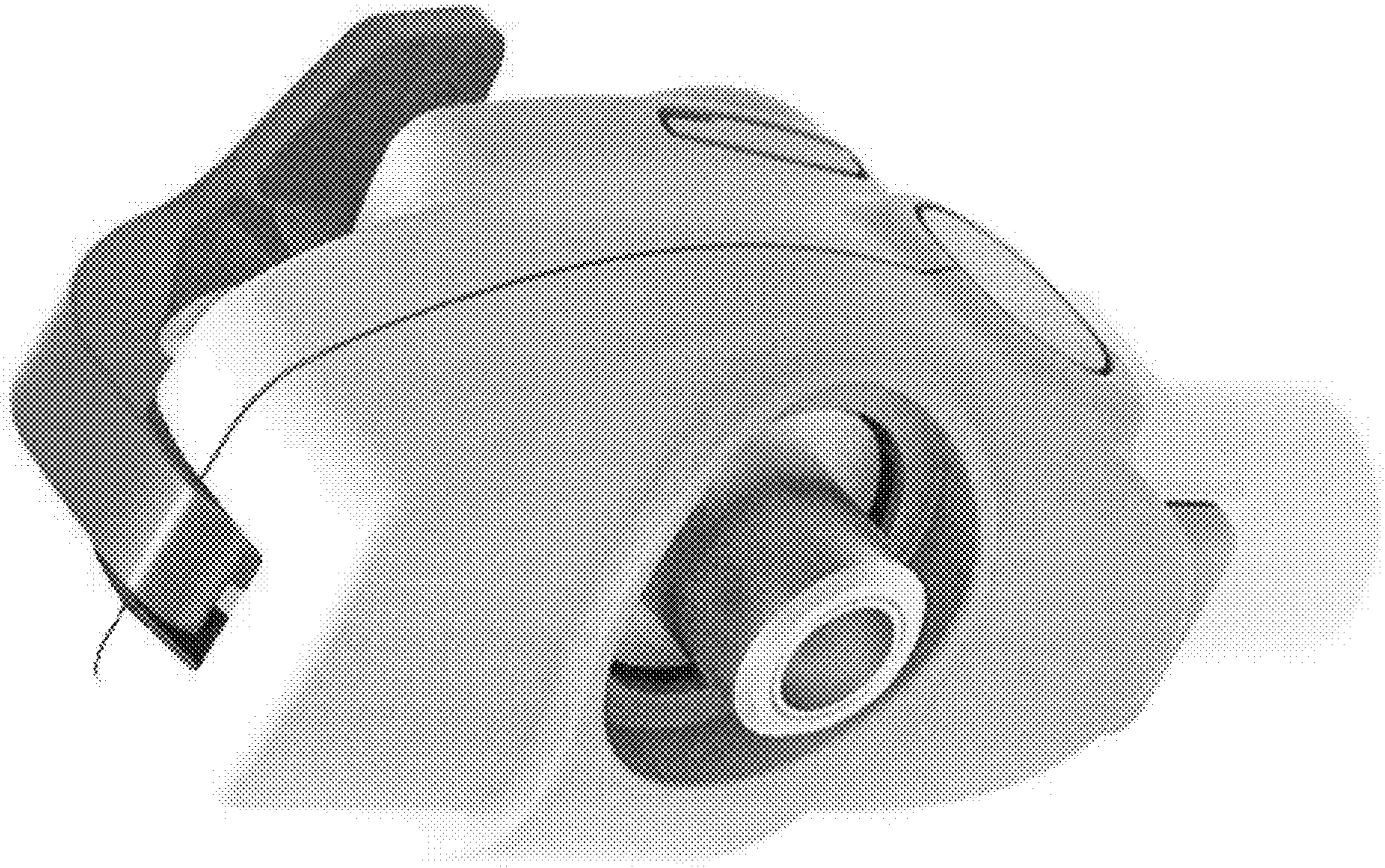


FIG. 42

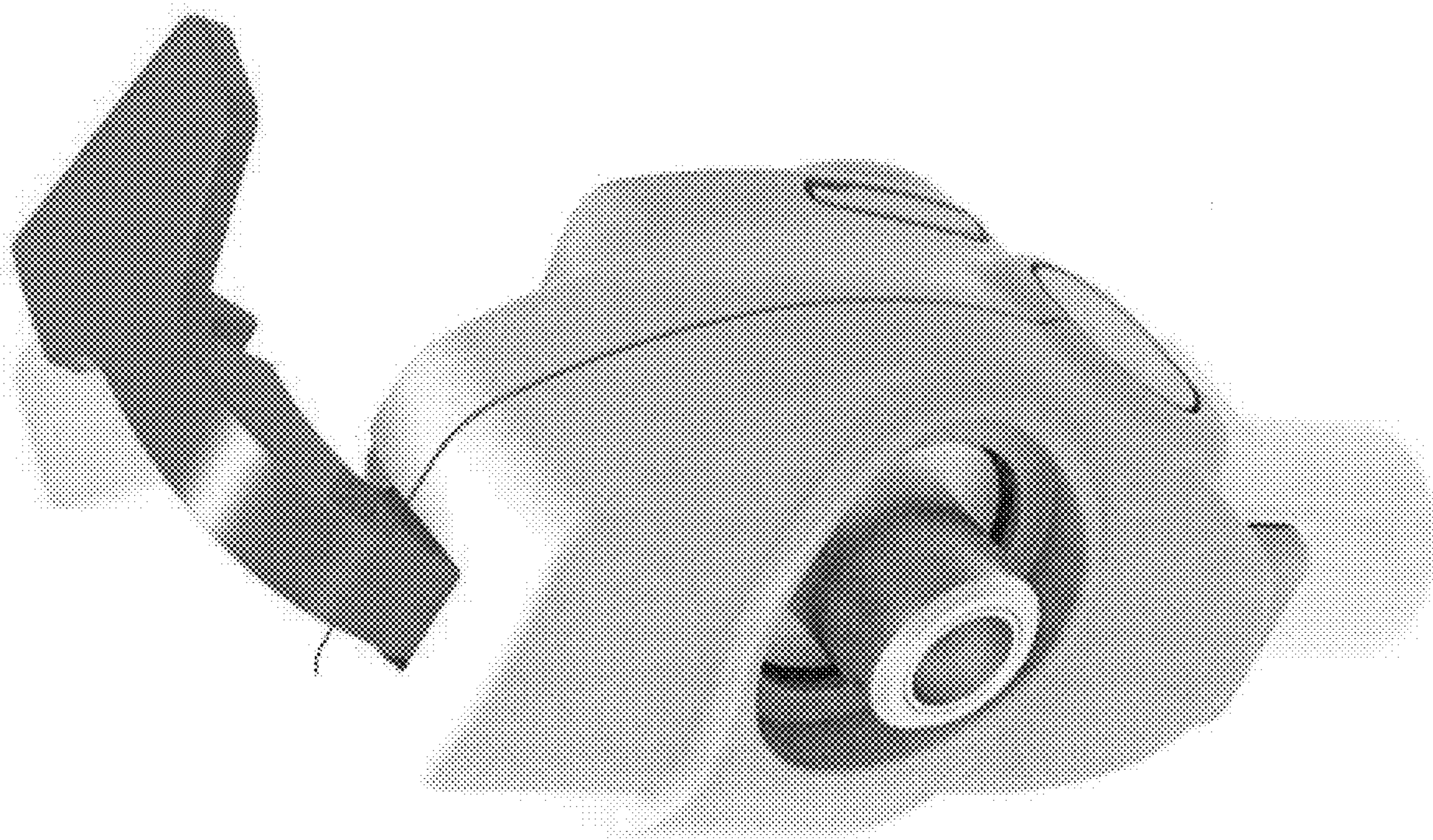


FIG. 43

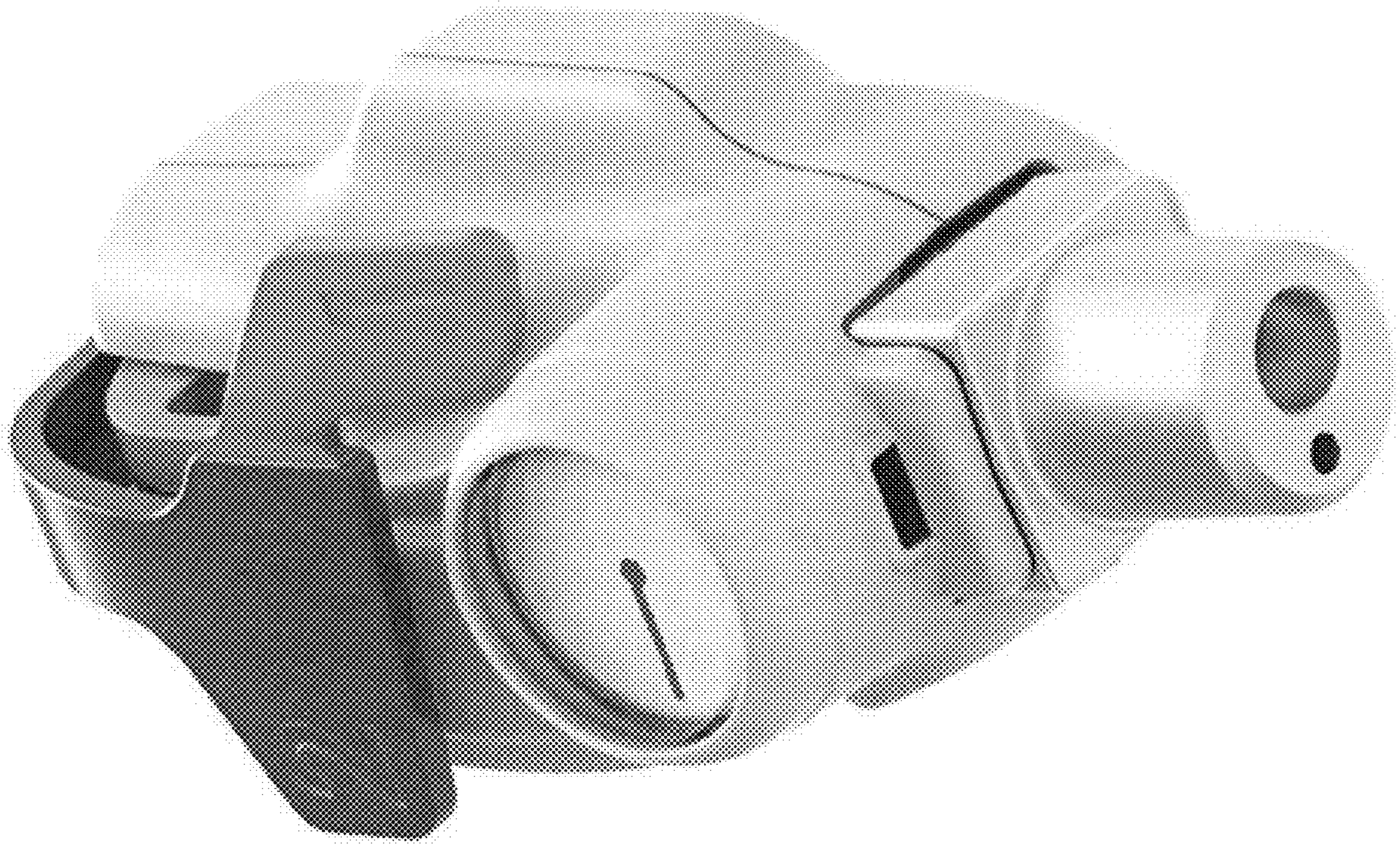


FIG. 44

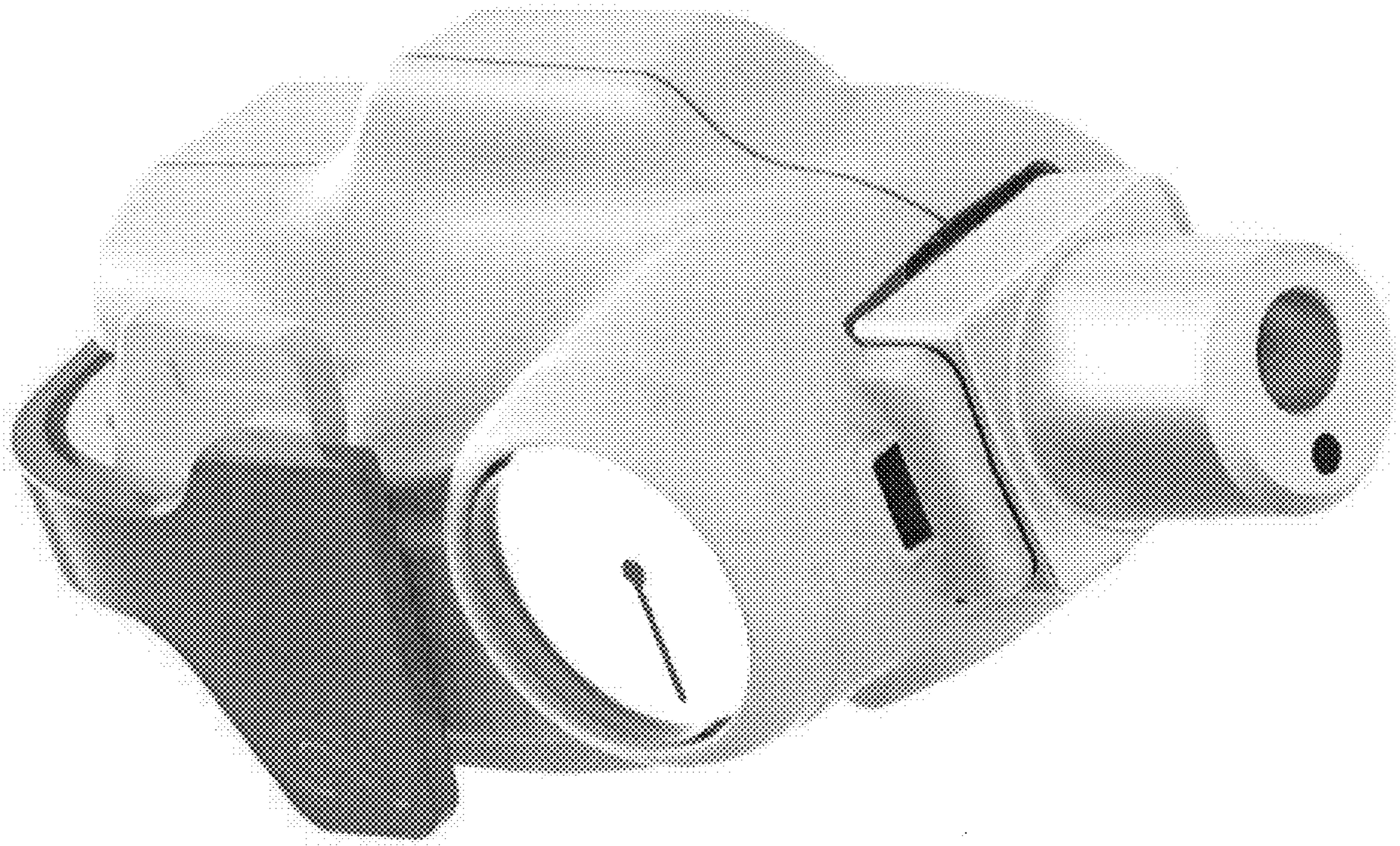


FIG. 45

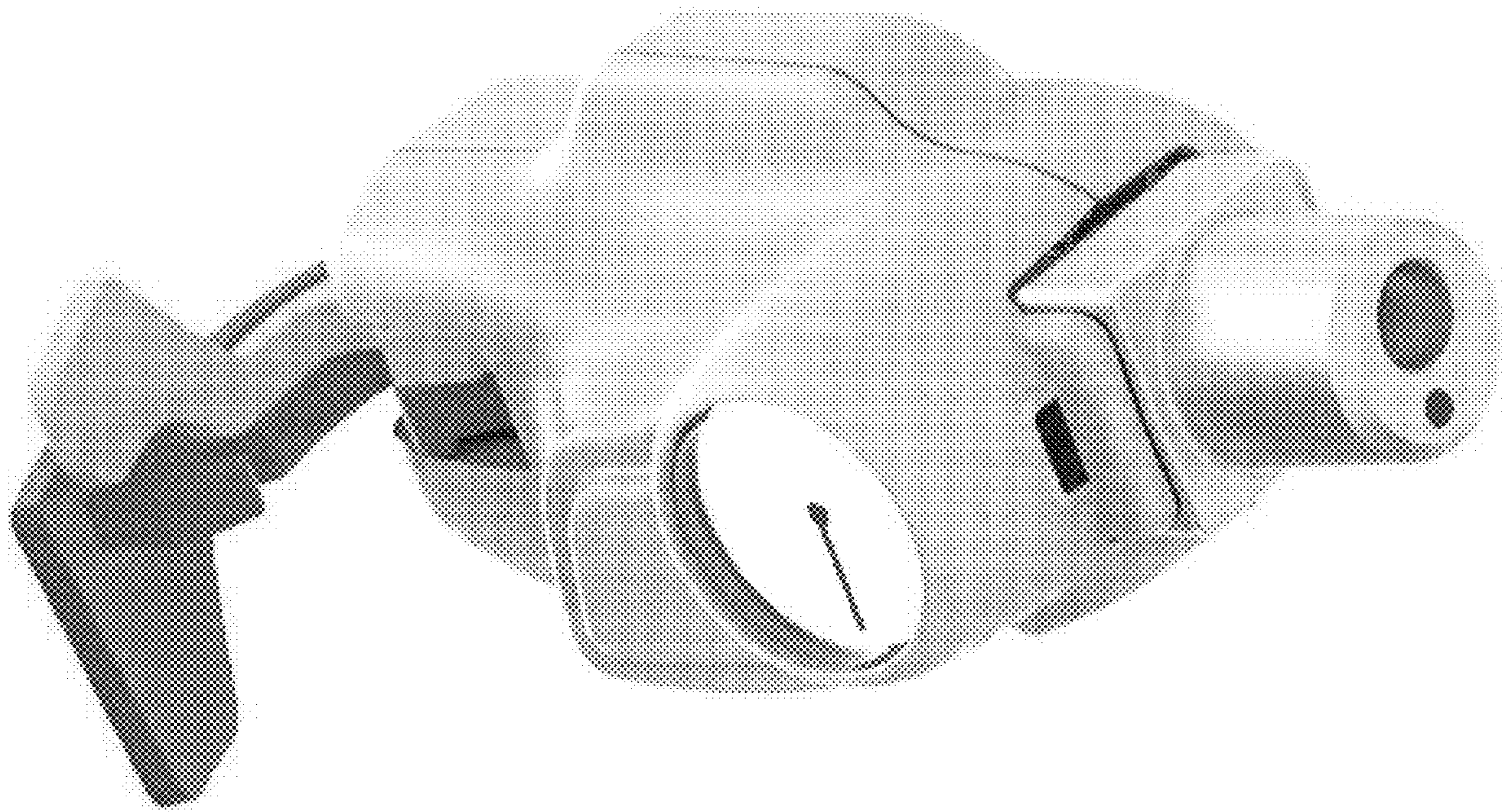


FIG. 46

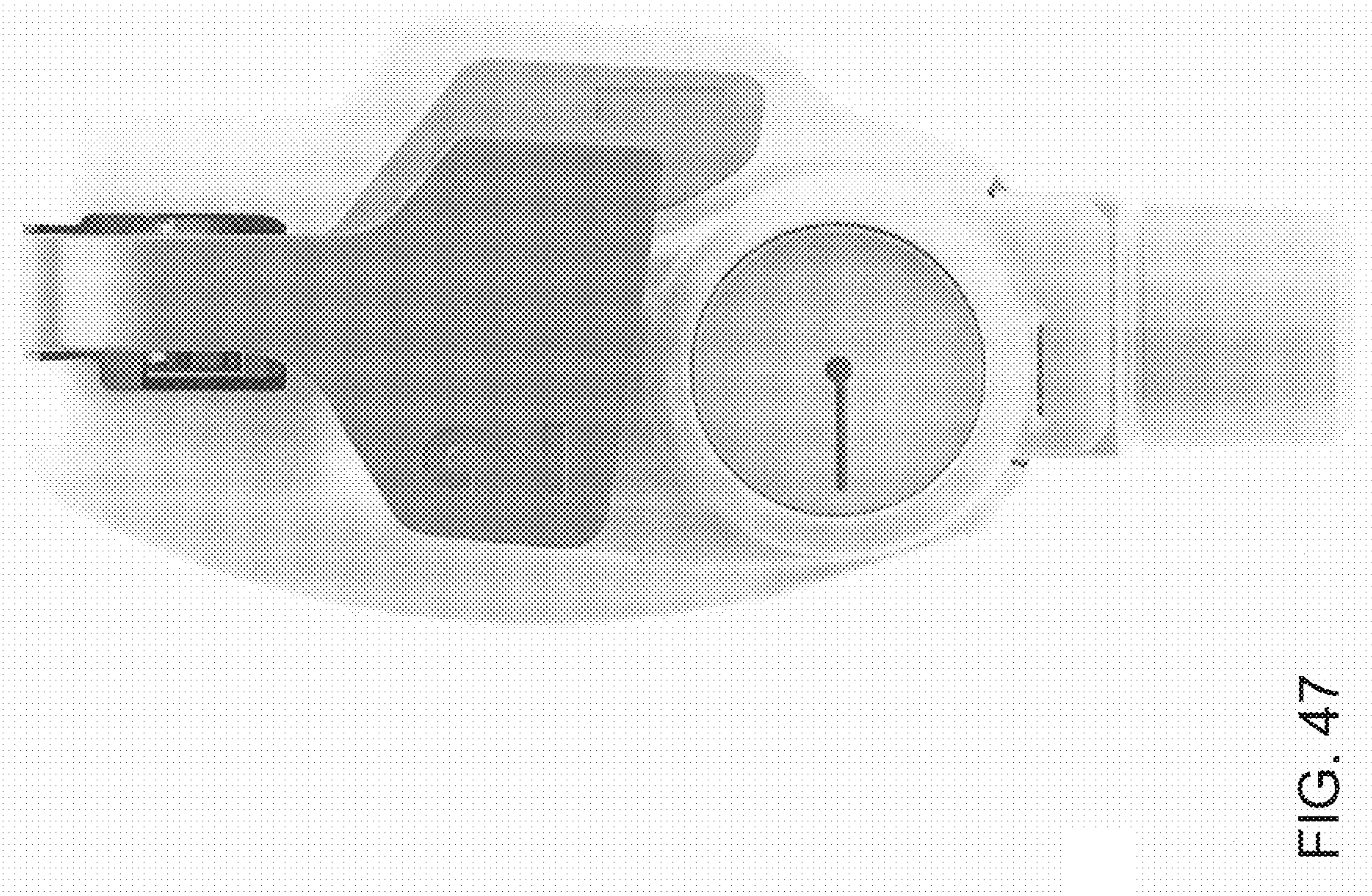
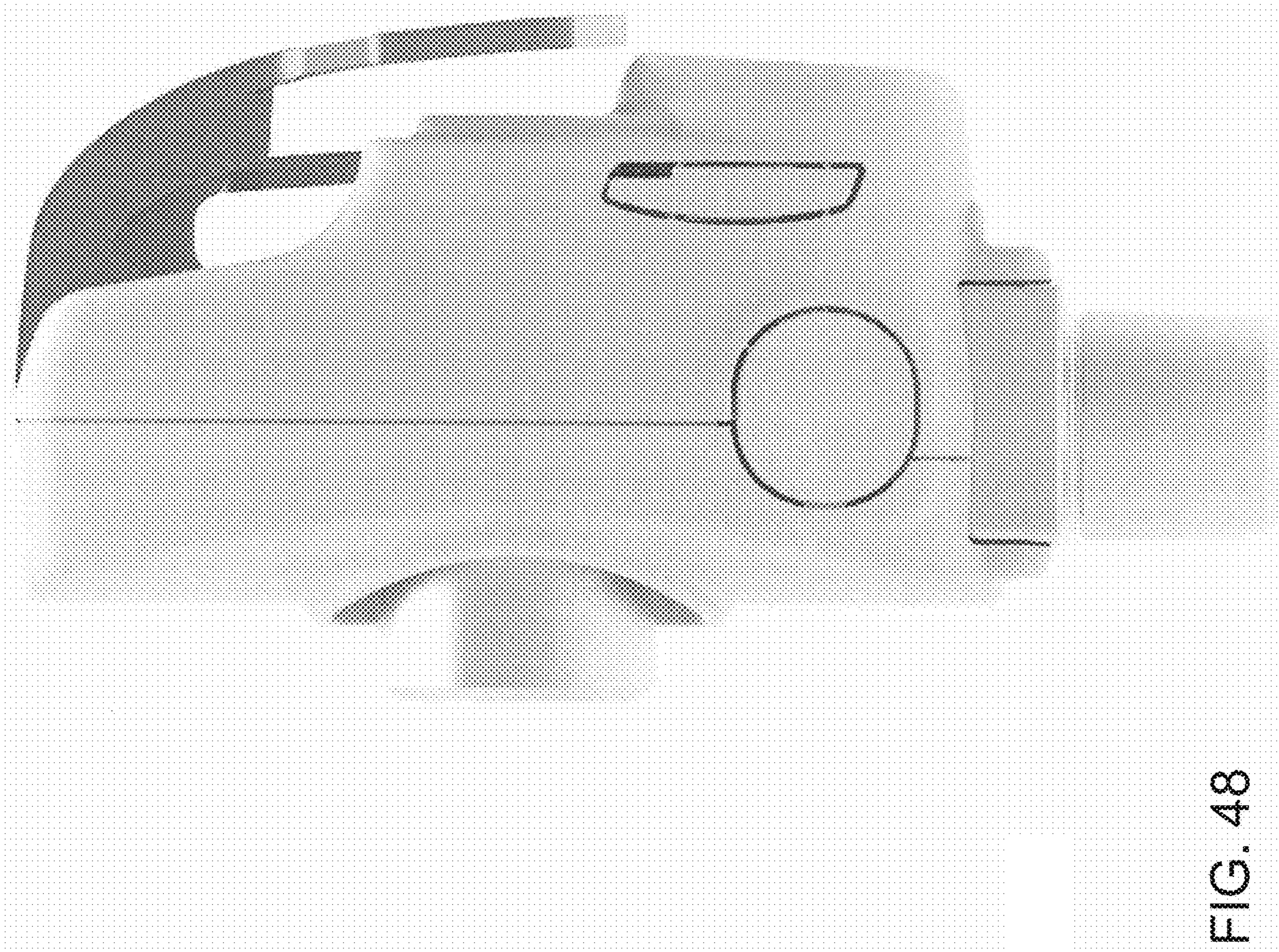


FIG. 47



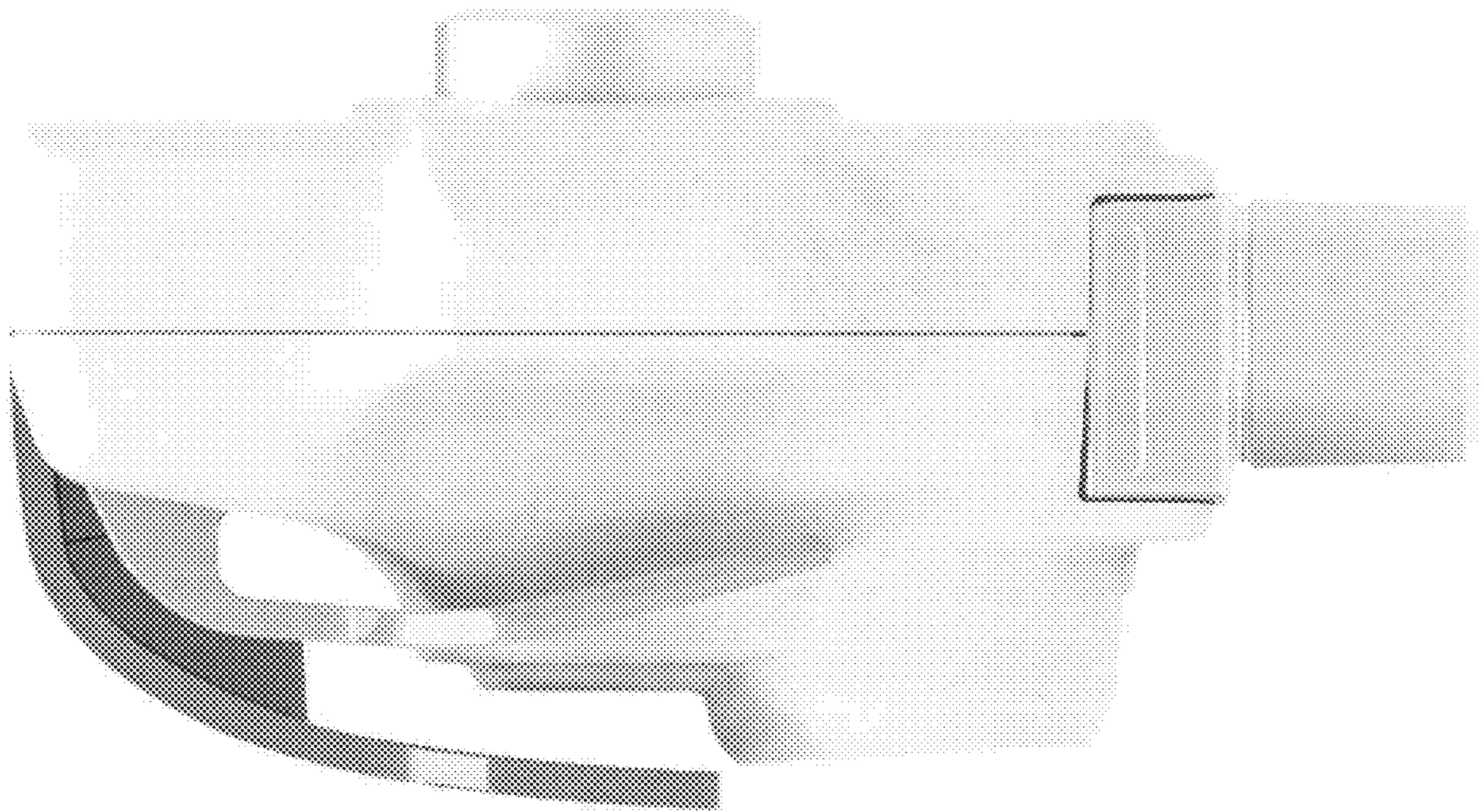


FIG. 49

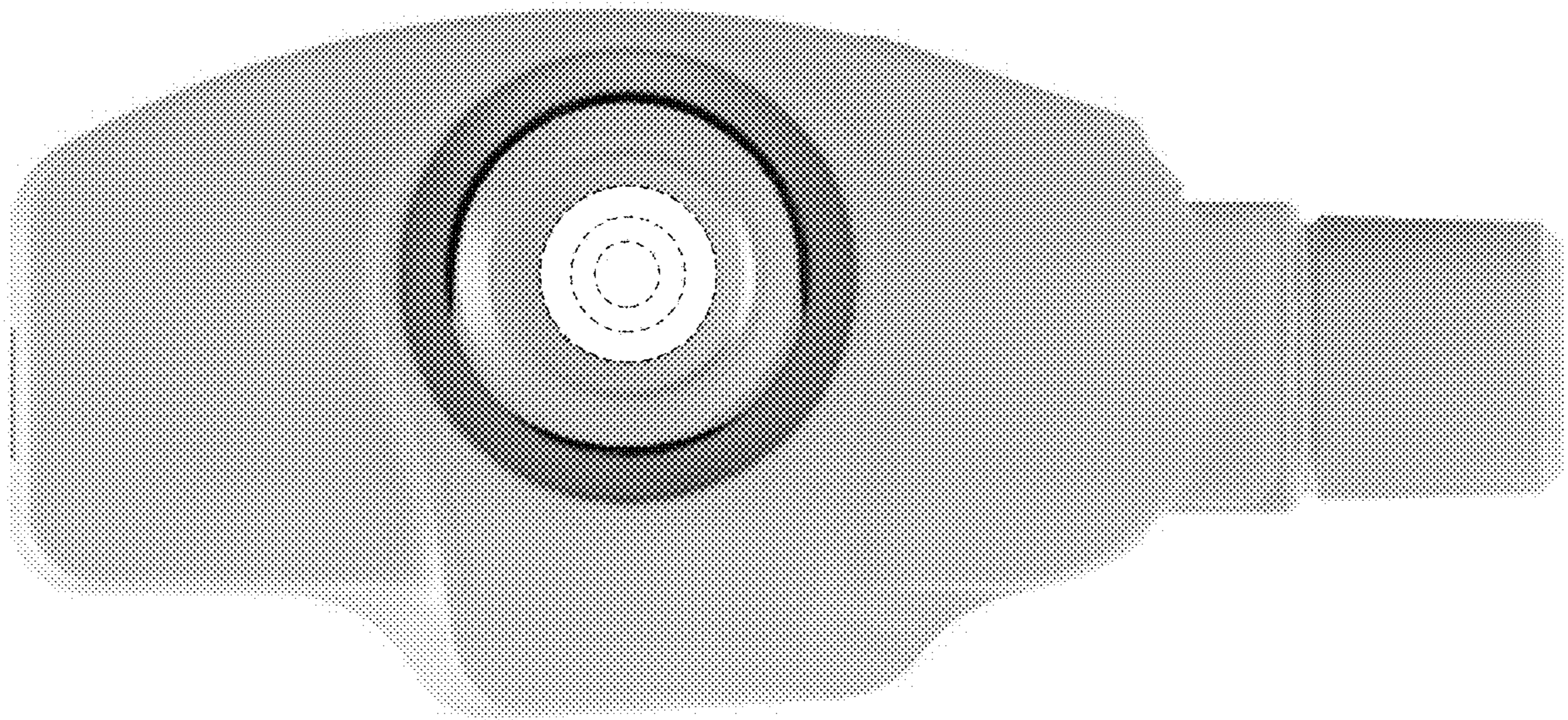
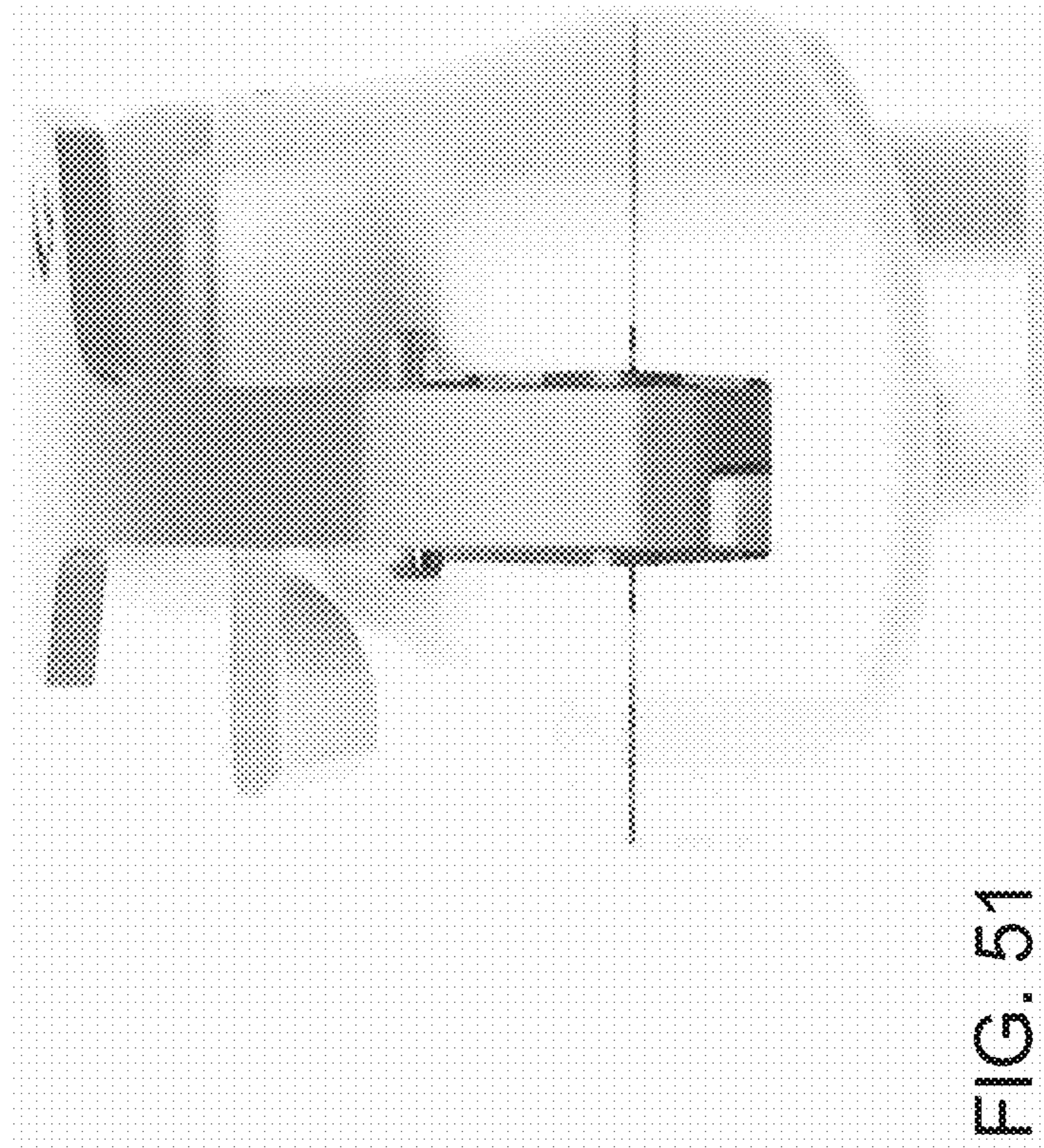


FIG. 50



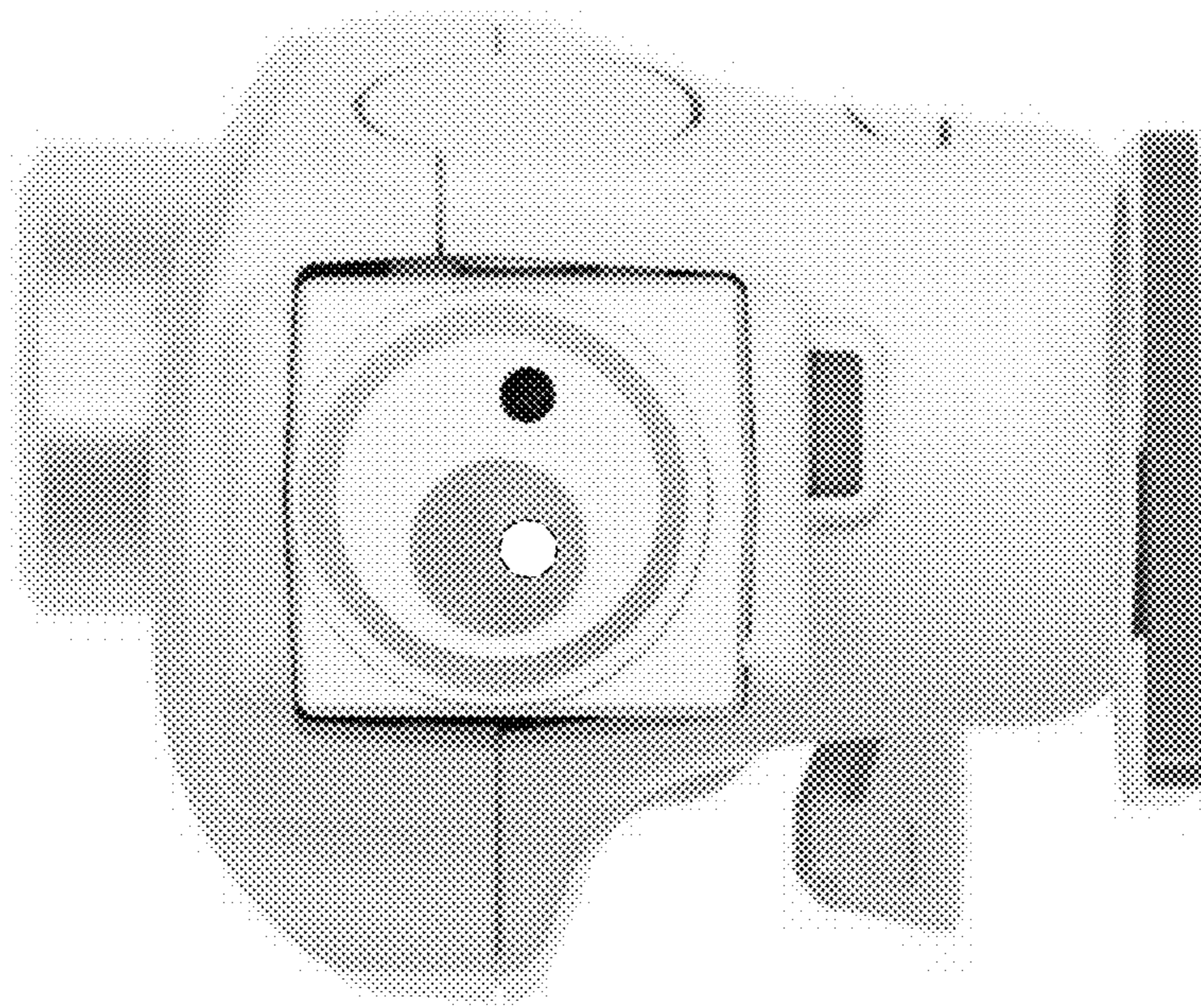


FIG. 52

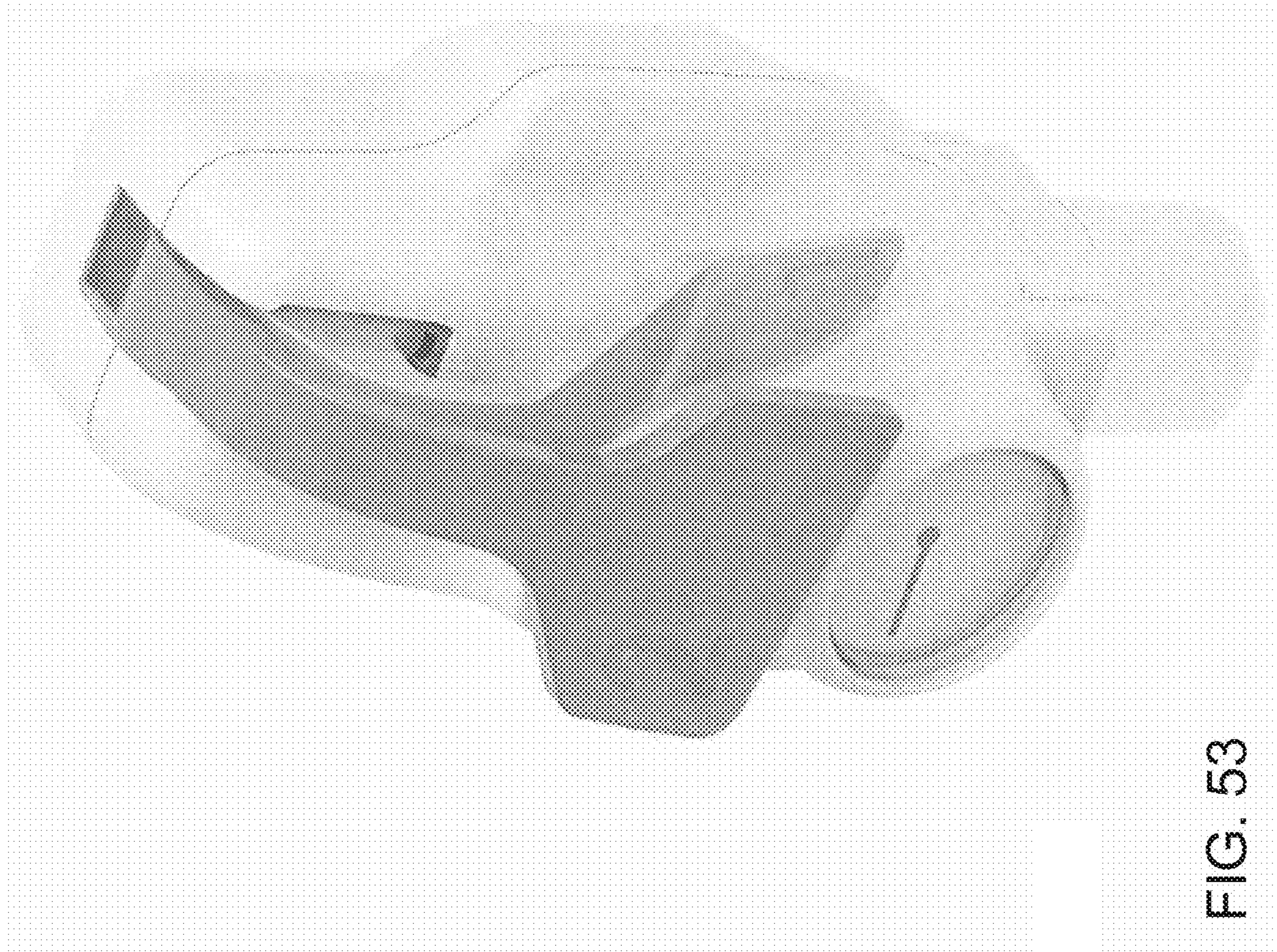


FIG. 53



FIG. 54



FIG. 55

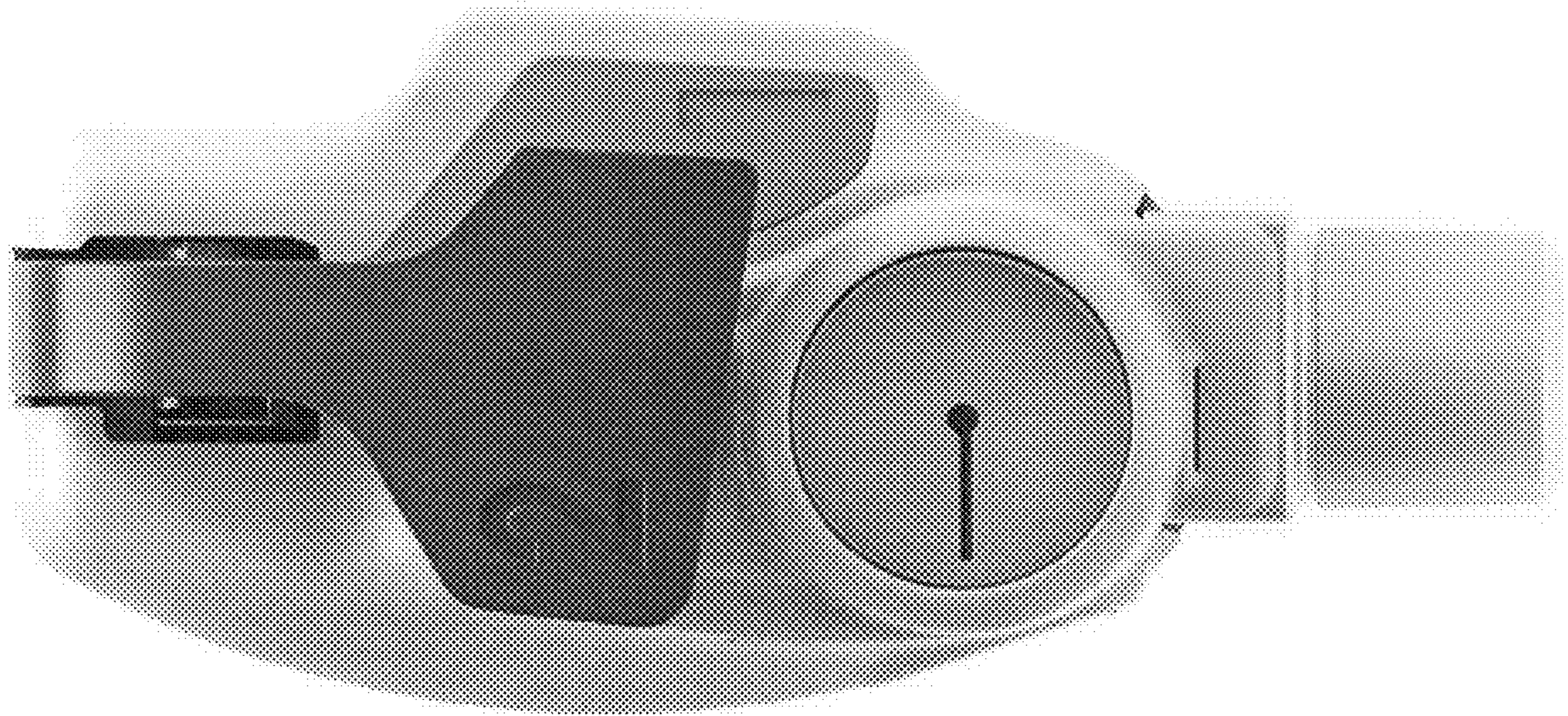


FIG. 56

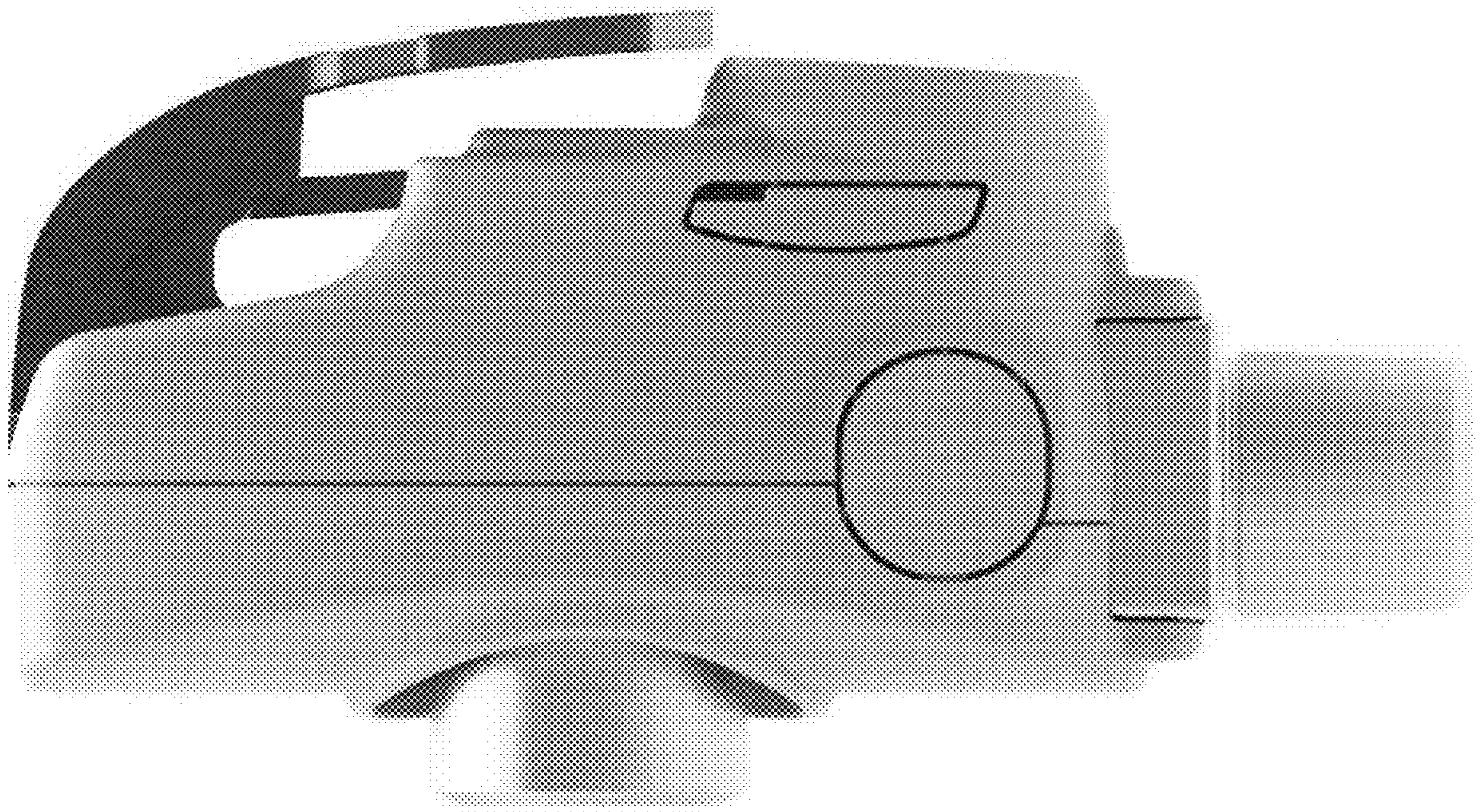


FIG. 57

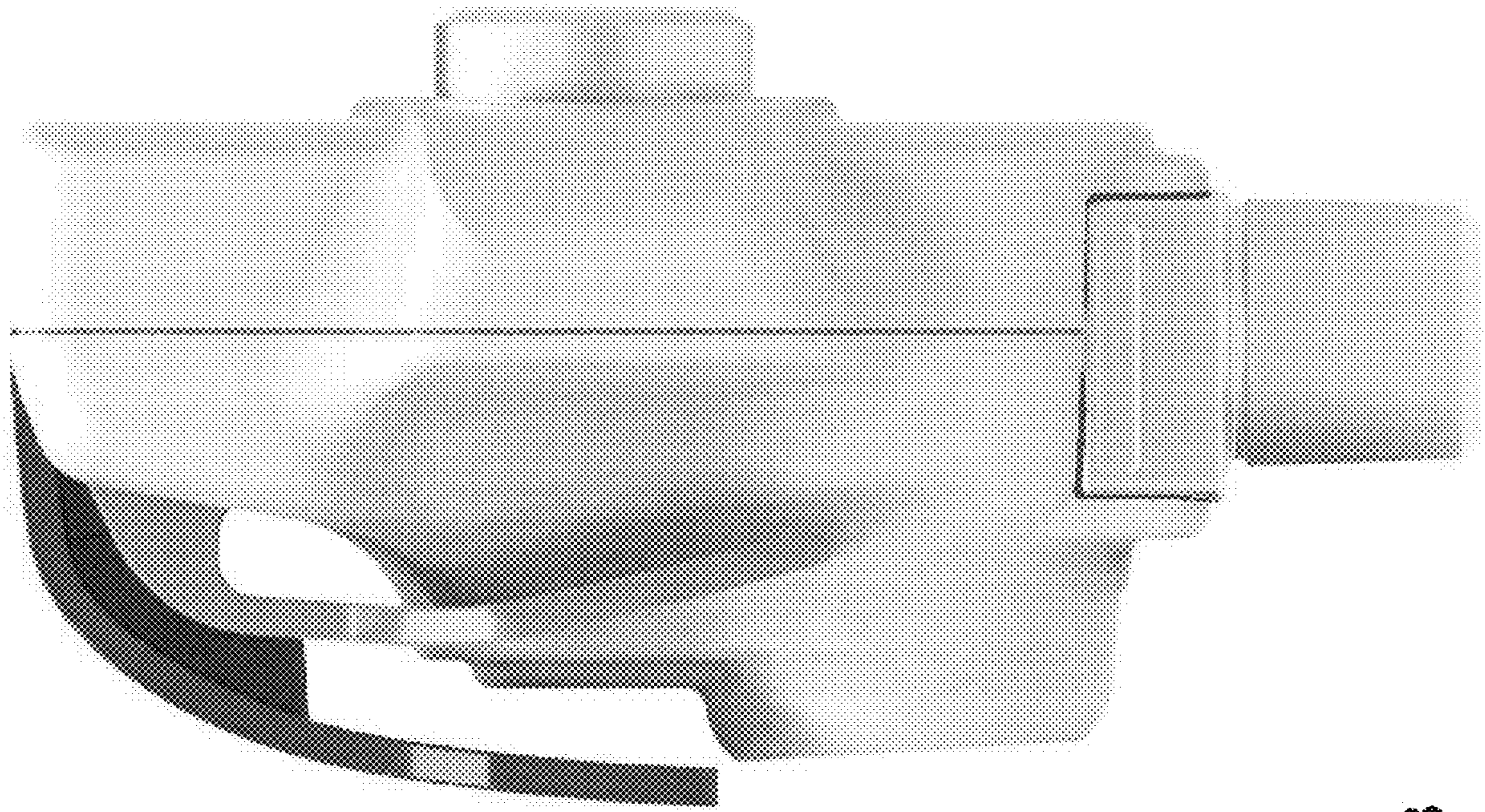


FIG. 58

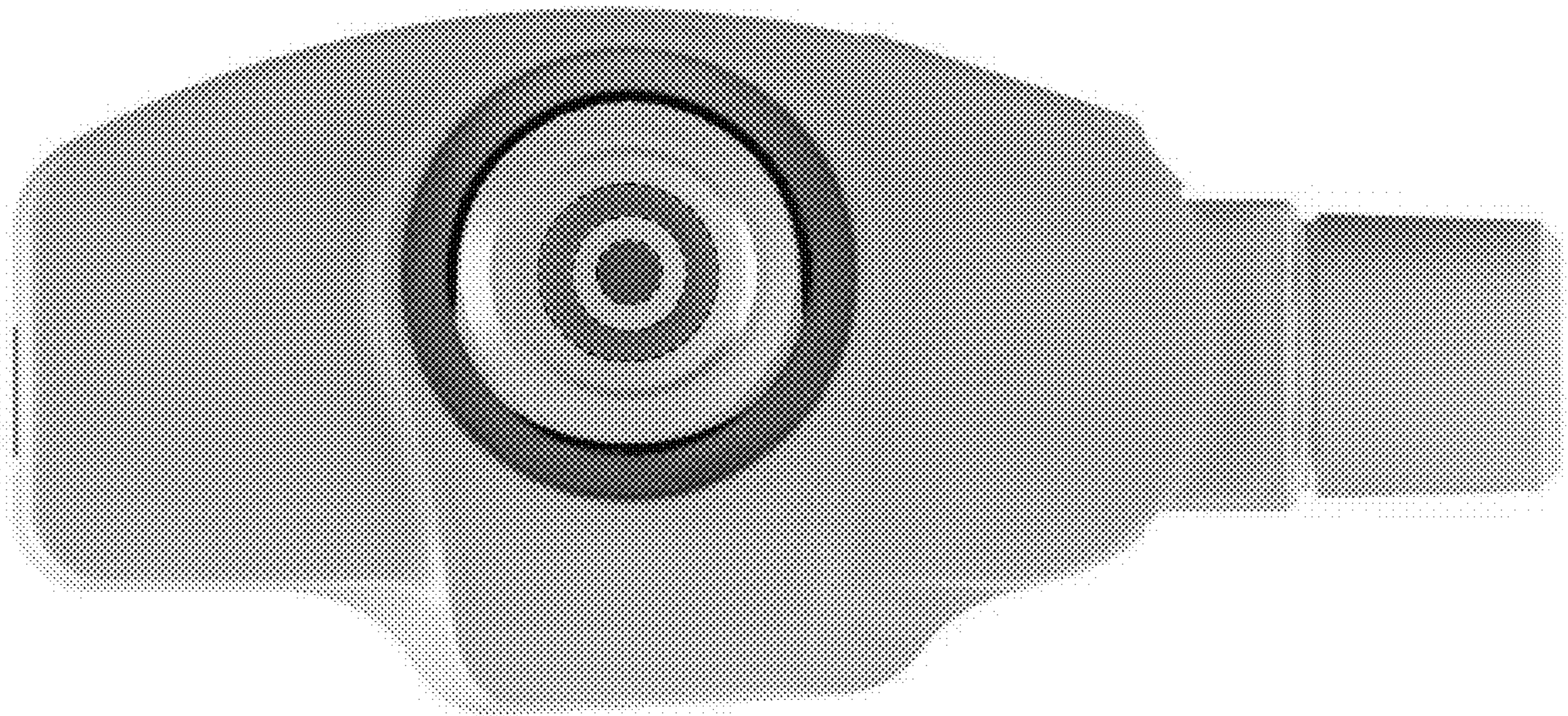


FIG. 59

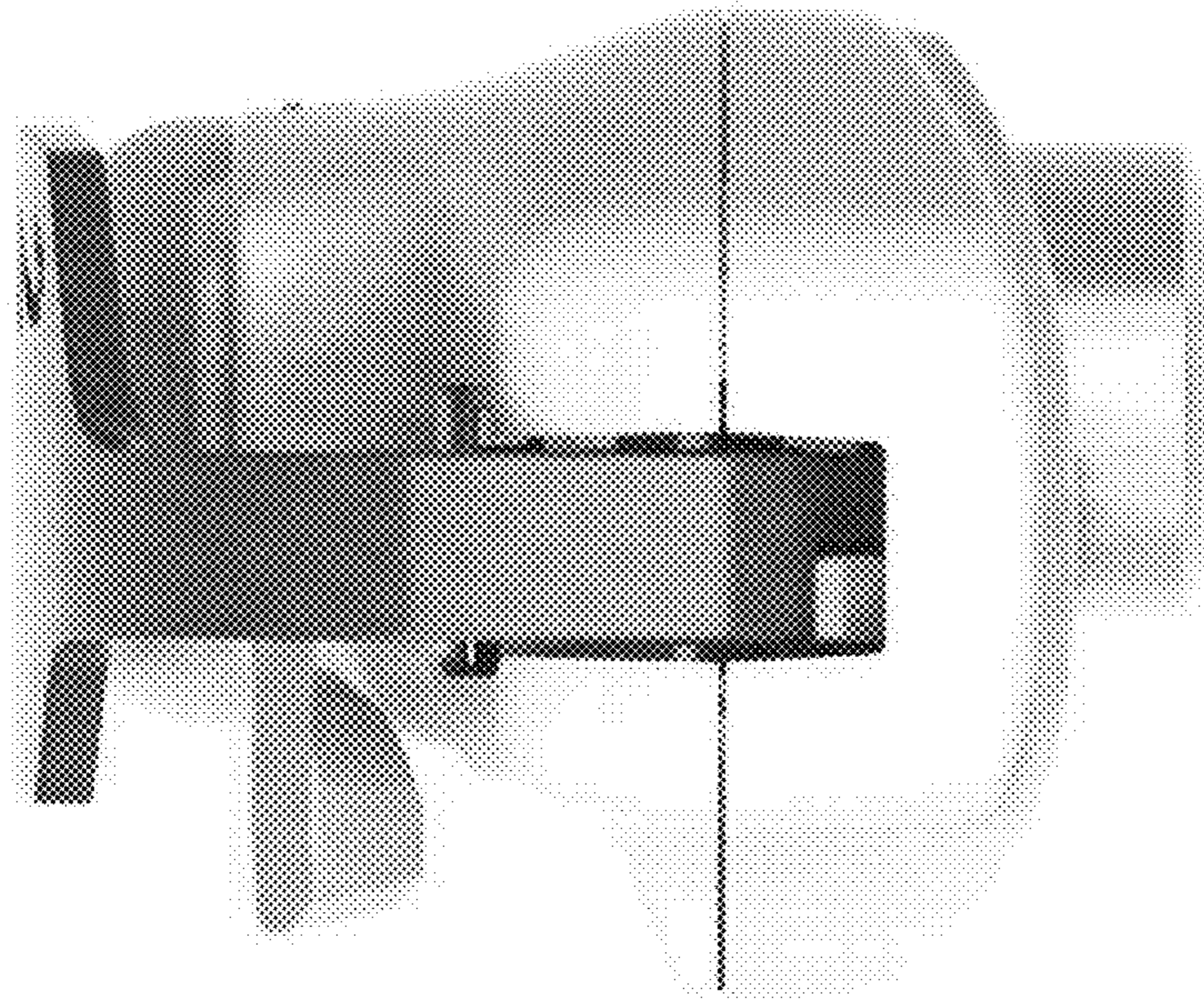


FIG. 60

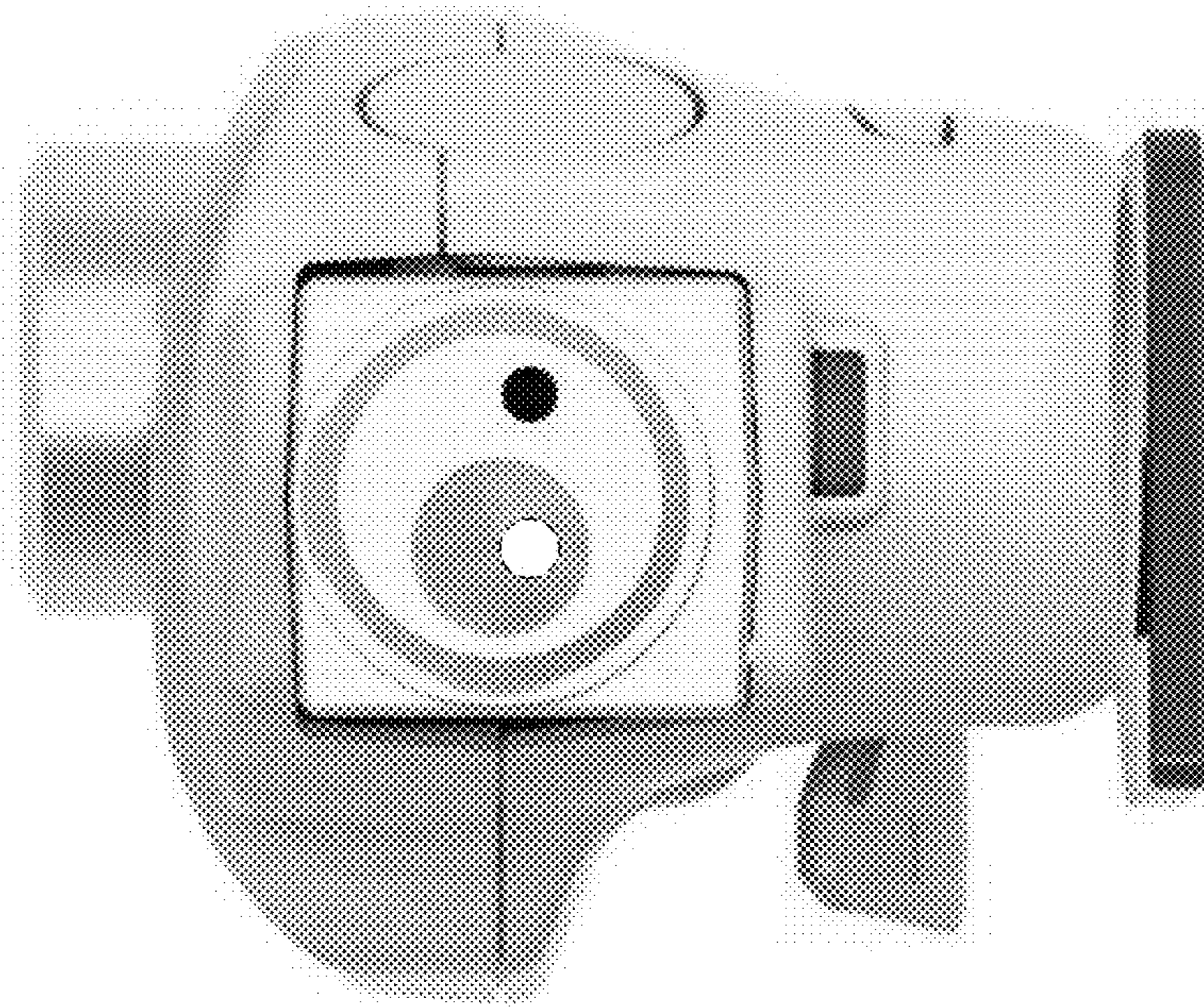


FIG. 61

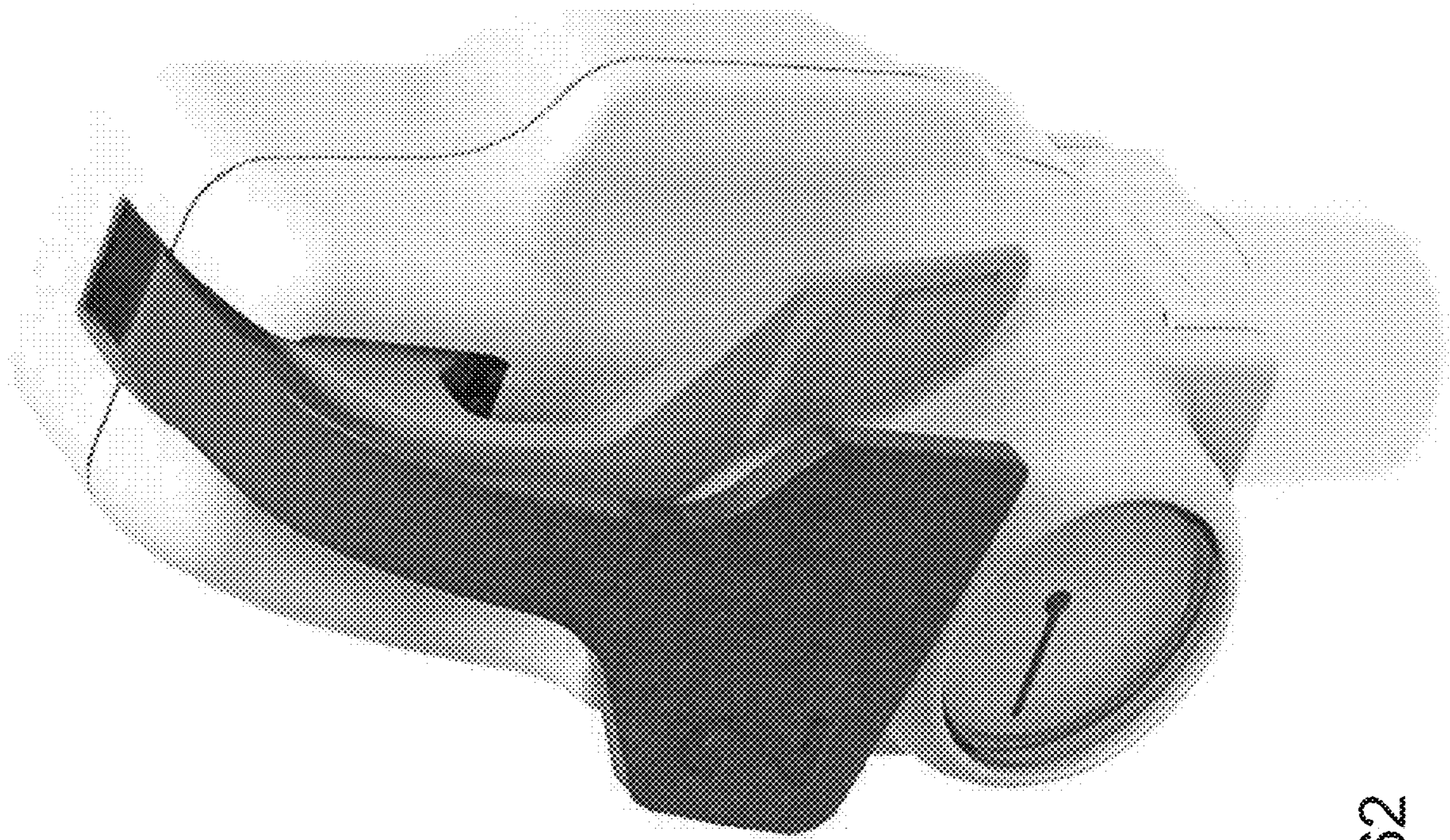


FIG. 62

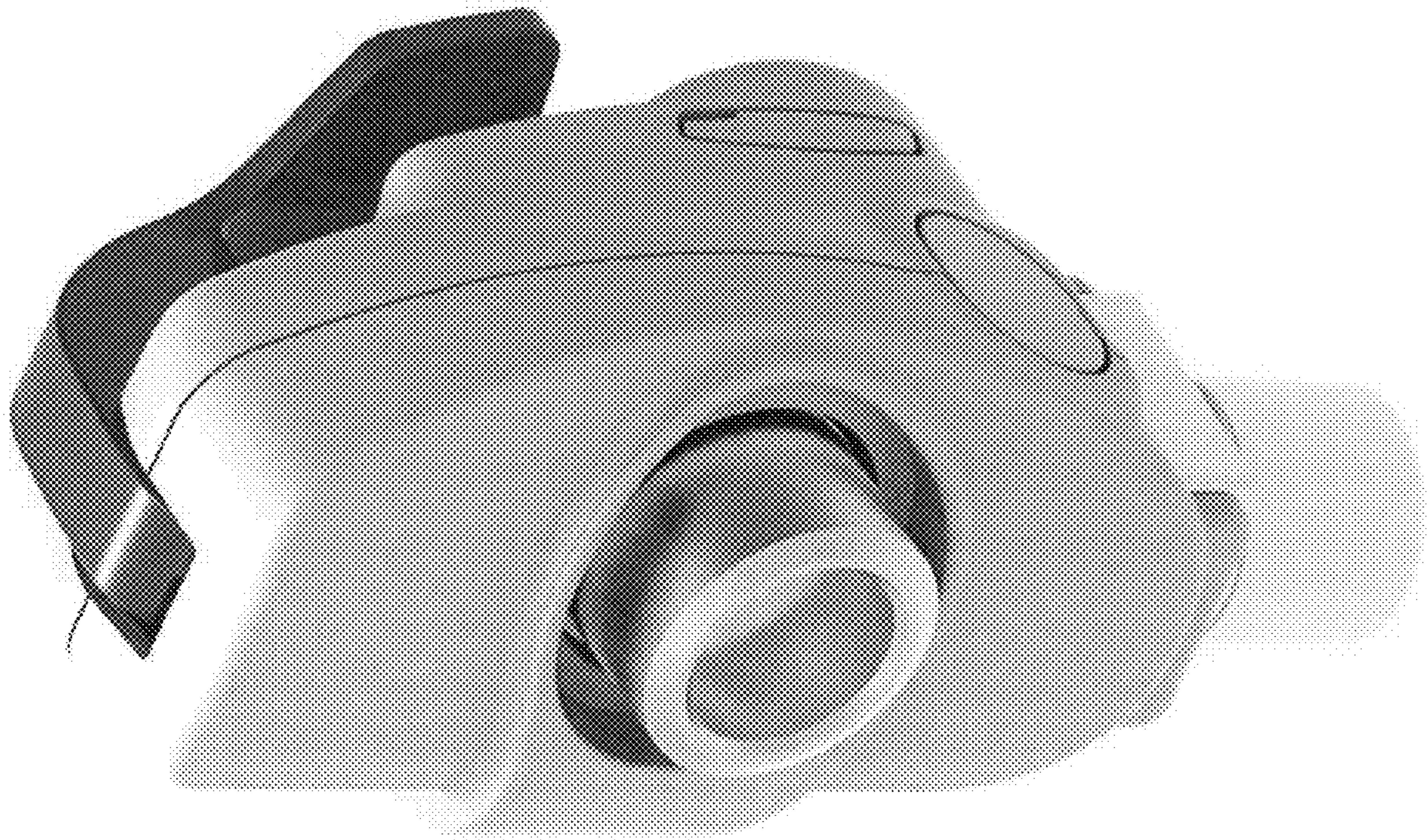


FIG. 63



FIG. 64