



US00D934997S

(12) **United States Design Patent** (10) **Patent No.:** **US D934,997 S**
He (45) **Date of Patent:** **** Nov. 2, 2021**

(54) **FAUCET**

(71) Applicant: **Guangzhou Weisihui Jiaju Co., LTD.**,
Guangzhou (CN)

(72) Inventor: **Min He**, Guangzhou (CN)

(**) Term: **15 Years**

(21) Appl. No.: **29/728,816**

(22) Filed: **Mar. 20, 2020**

(51) **LOC (13) Cl.** **23-01**

(52) **U.S. Cl.**
USPC **D23/242**

(58) **Field of Classification Search**
USPC D23/238-244, 252, 254-255, 257;
D8/307-308
CPC F16K 31/602; F16K 31/605; F16K 31/607;
E03C 1/0412
See application file for complete search history.

(56) **References Cited**

U.S. PATENT DOCUMENTS

D368,302 S *	3/1996	Doughty	D23/241
D381,400 S *	7/1997	Doughty	D23/241
D384,130 S *	9/1997	Doughty	D23/241
D384,131 S *	9/1997	Doughty	D23/241
D384,132 S *	9/1997	Doughty	D23/241
D448,453 S *	9/2001	Lord	D23/241
D460,523 S *	7/2002	Green	D23/241
D486,557 S *	2/2004	Graves	D23/241
D519,609 S *	4/2006	Fritz	D23/241
D529,997 S *	10/2006	Chen	D23/241
D531,700 S *	11/2006	Svendson	D23/241
D569,486 S *	5/2008	Fritz	D23/241
D577,422 S *	9/2008	Williams	D23/241
D791,279 S *	7/2017	Fritz	D23/242
D791,280 S *	7/2017	Fritz	D23/242
D822,171 S *	7/2018	Bennett	D23/242
D865,126 S *	10/2019	Zeng	D23/242
D873,965 S *	1/2020	Lazarini	D23/241

D879,252 S *	3/2020	Yu	D23/242
D905,825 S *	12/2020	Potter	D23/242
D906,481 S *	12/2020	Zhao	D23/242
2019/0353275 A1 *	11/2019	Mooren	B25G 3/12

FOREIGN PATENT DOCUMENTS

CA 189127 * 8/2019

OTHER PUBLICATIONS

Kingo Home, announced Apr. 22, 2019[online], [site visited Jan. 27, 2021]. Available from internet, URL:<<https://www.amazon.com/KINGO-HOME-Contemporary-Lavatory-Bathroom/dp/B07QWPBN65?th=1>> (Year: 2019).*

(Continued)

Primary Examiner — Barbara Fox

Assistant Examiner — Jamaal Rasheed

(74) *Attorney, Agent, or Firm* — Novoclaims Patent Services LLC; Mei Lin Wong

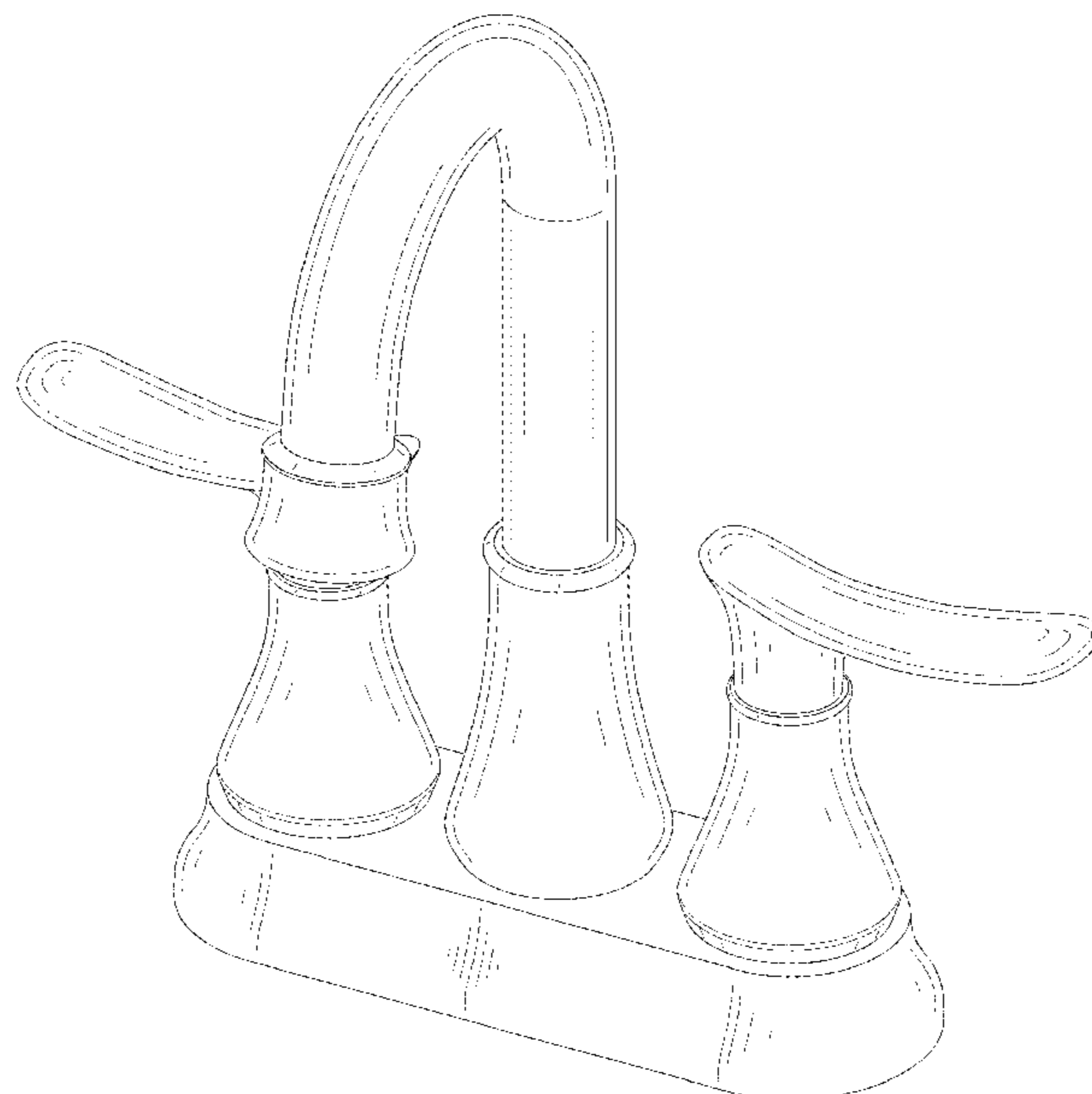
(57) **CLAIM**

The ornamental design for a faucet, as shown and described.

DESCRIPTION

FIG. 1 is a front perspective view of a faucet, showing my new design;
FIG. 2 is a rear perspective view thereof;
FIG. 3 is a front view thereof;
FIG. 4 is a rear view thereof;
FIG. 5 is a left side view thereof;
FIG. 6 is a right side view thereof;
FIG. 7 is a top view thereof; and,
FIG. 8 is a bottom view thereof.
The broken lines in the drawings depict portions of the faucet that form no part of the claimed design.

1 Claim, 8 Drawing Sheets



(56)

References Cited

OTHER PUBLICATIONS

Parlos, announced Jul. 15, 2019[online], [site visited Jan. 26, 2021]. Available from internet, URL:<<https://www.amazon.com/PARLOS-2-handle-Bathroom-Brushed-Demeter/dp/B07VB2F1PY>> (Year: 2019).*

Trustmi, announced Jun. 20, 2019[online], [site visited Jan. 26, 2021]. Available from internet, URL:<<https://www.amazon.com/TRUSTMI-Centerset-Bathroom-Assembly-360-Degree/dp/B07T8CQDJ5>> (Year: 2019).*

* cited by examiner



FIG.1

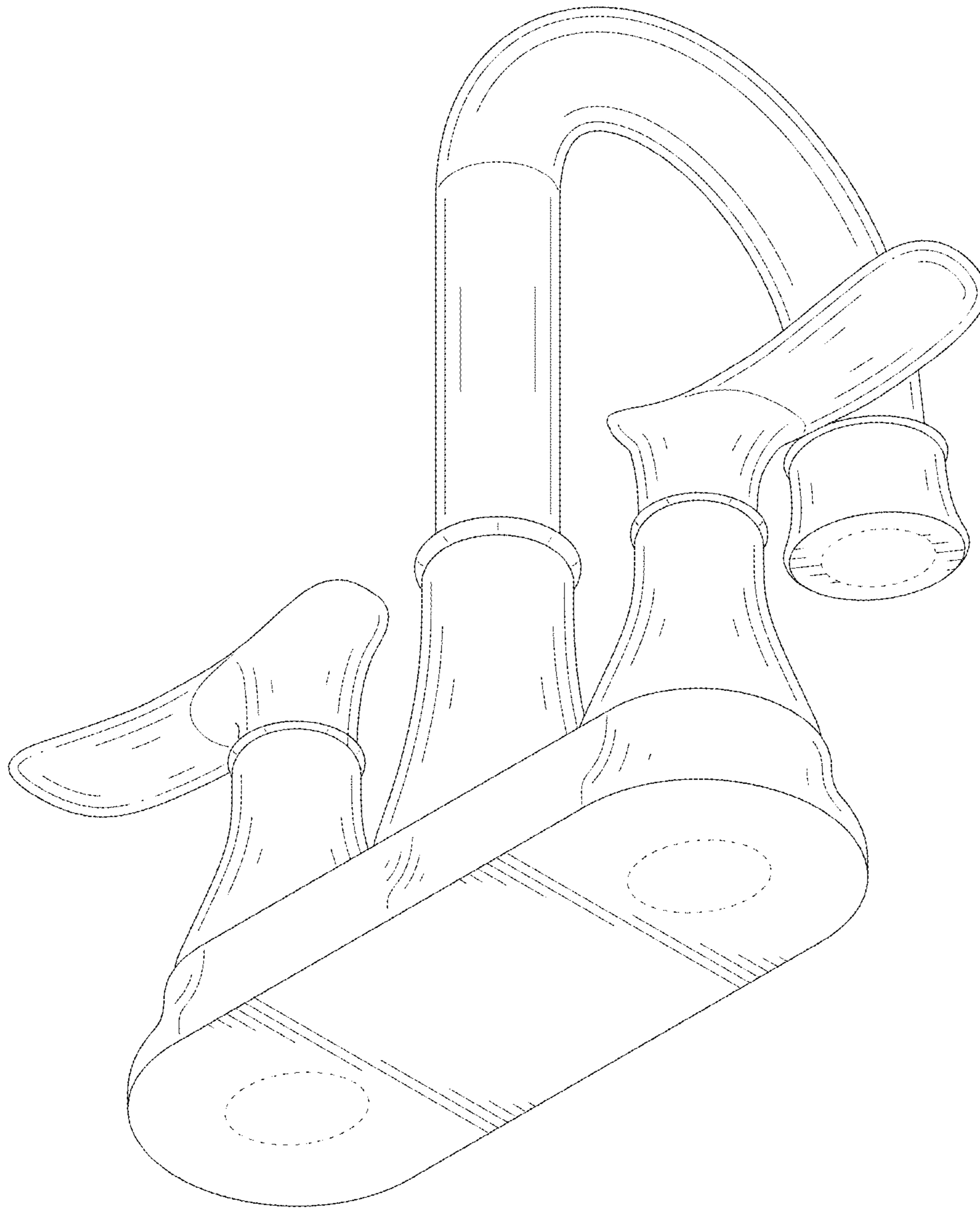


FIG.2

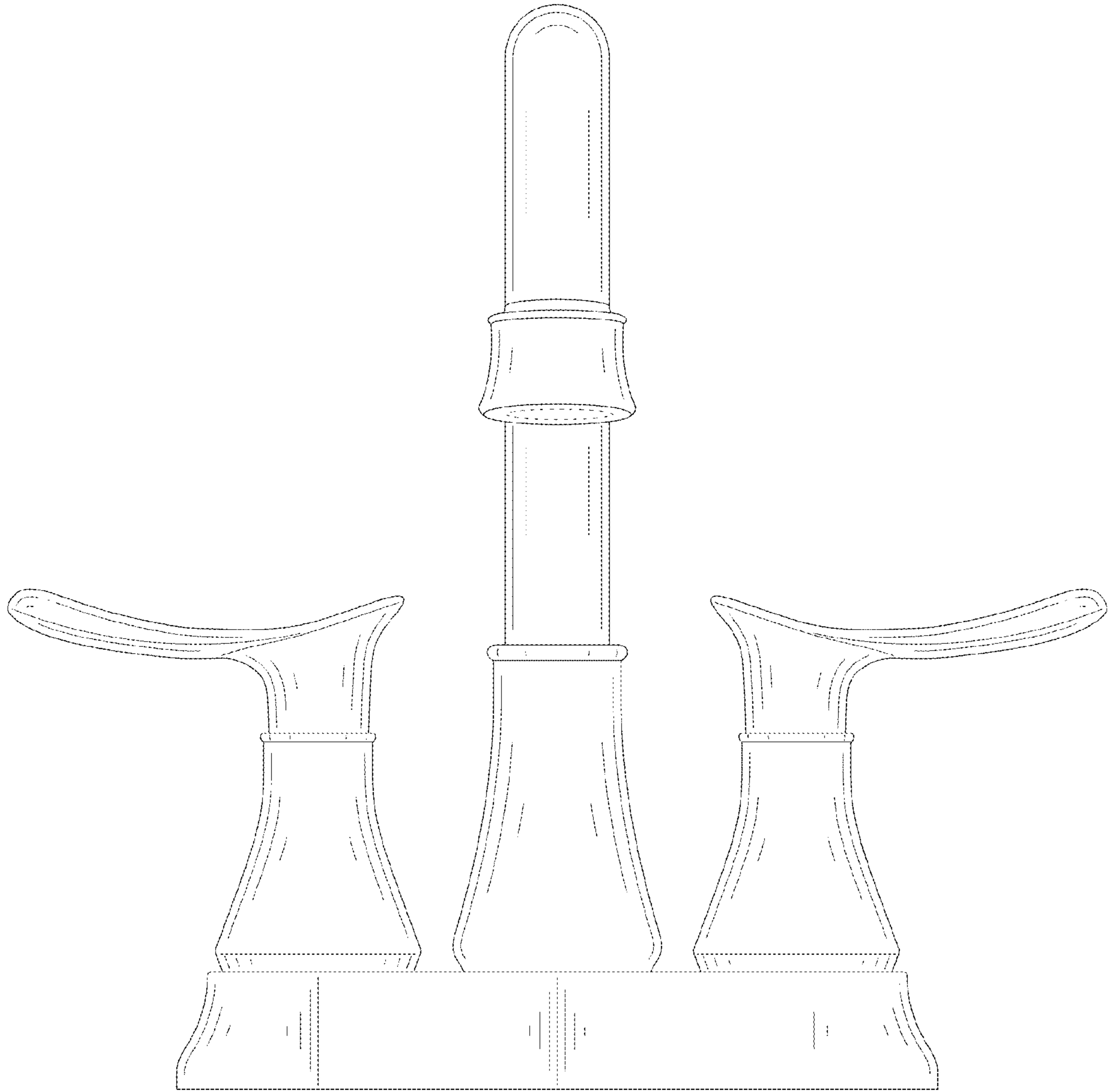


FIG.3

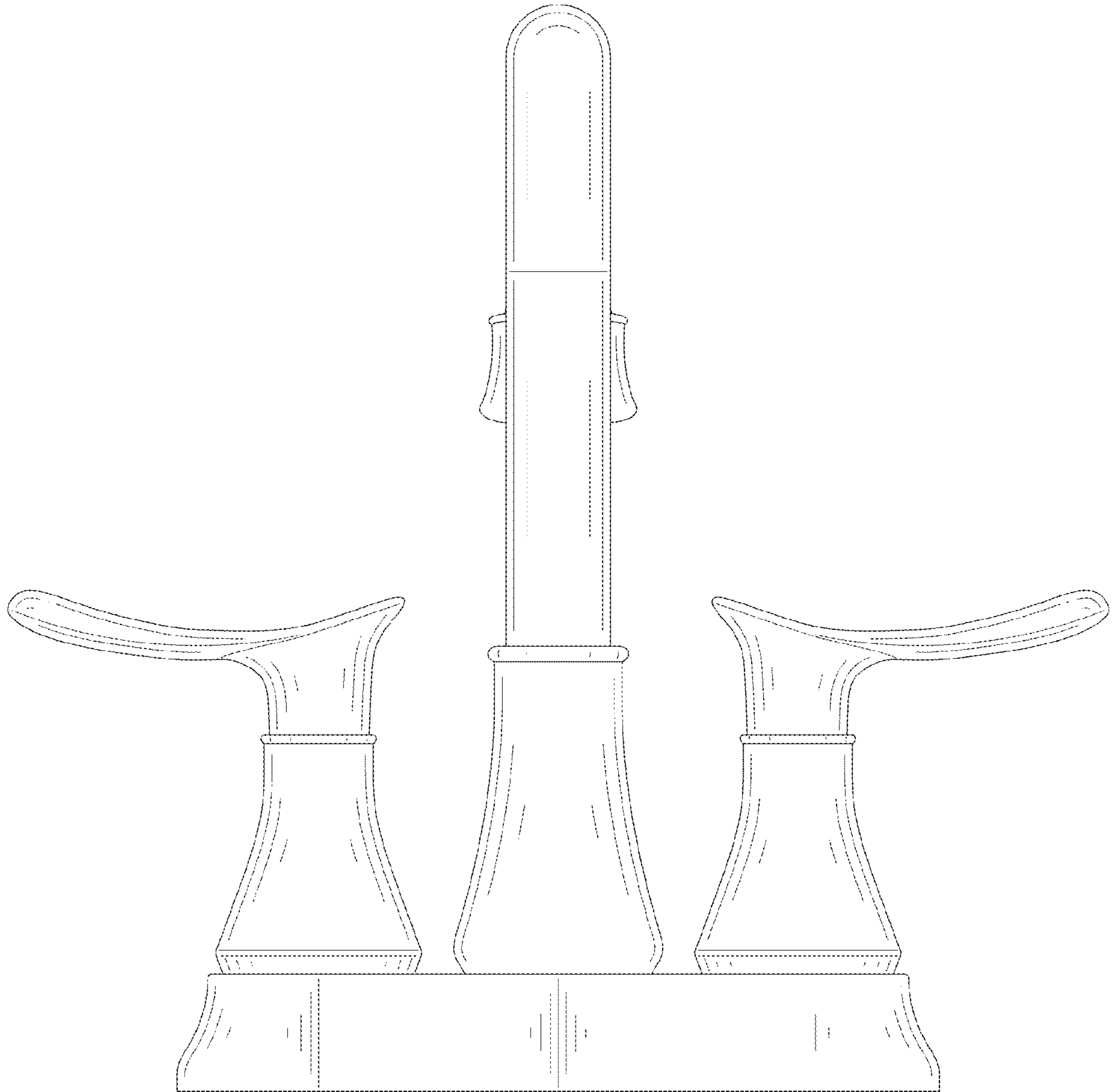


FIG.4

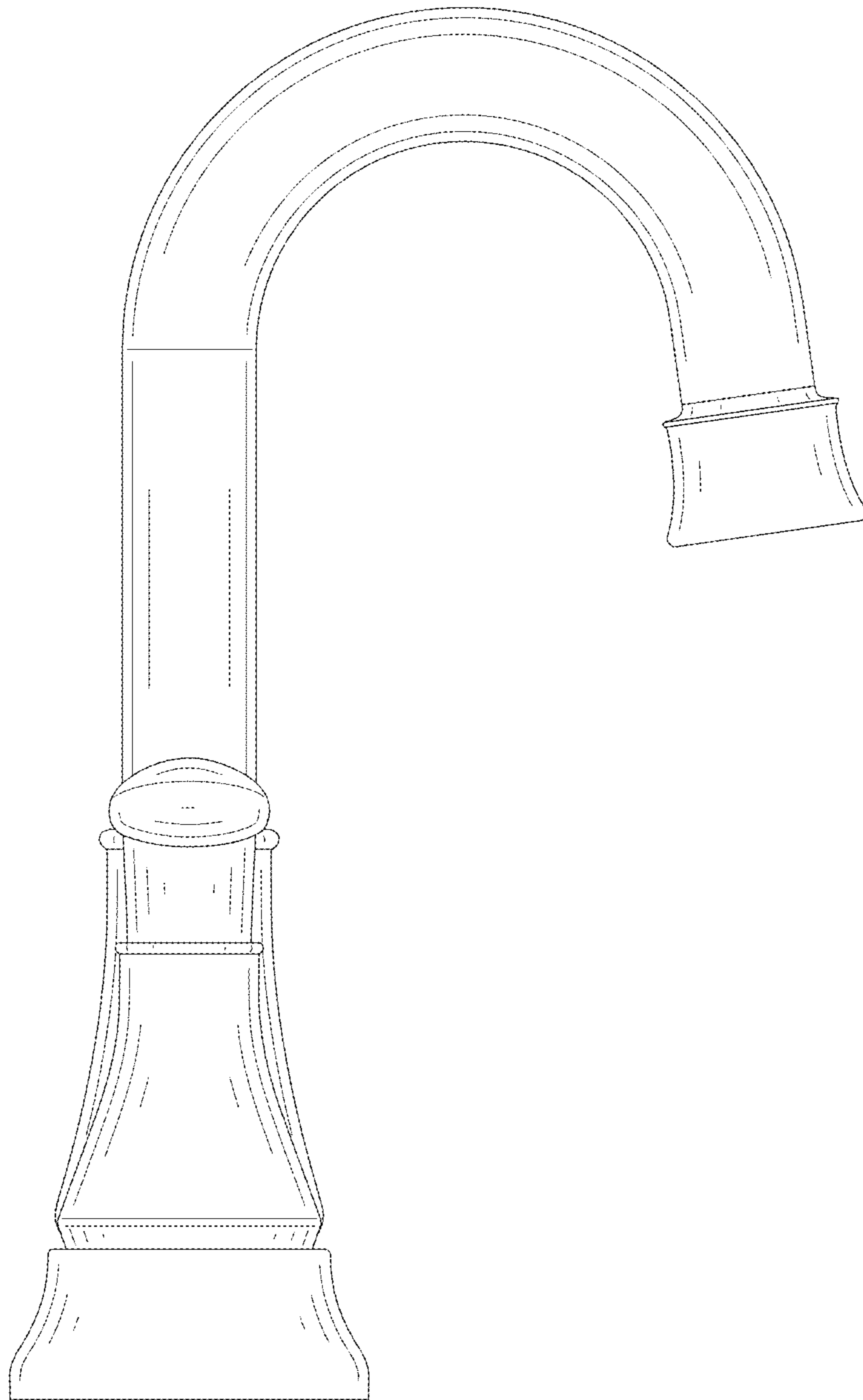


FIG.5

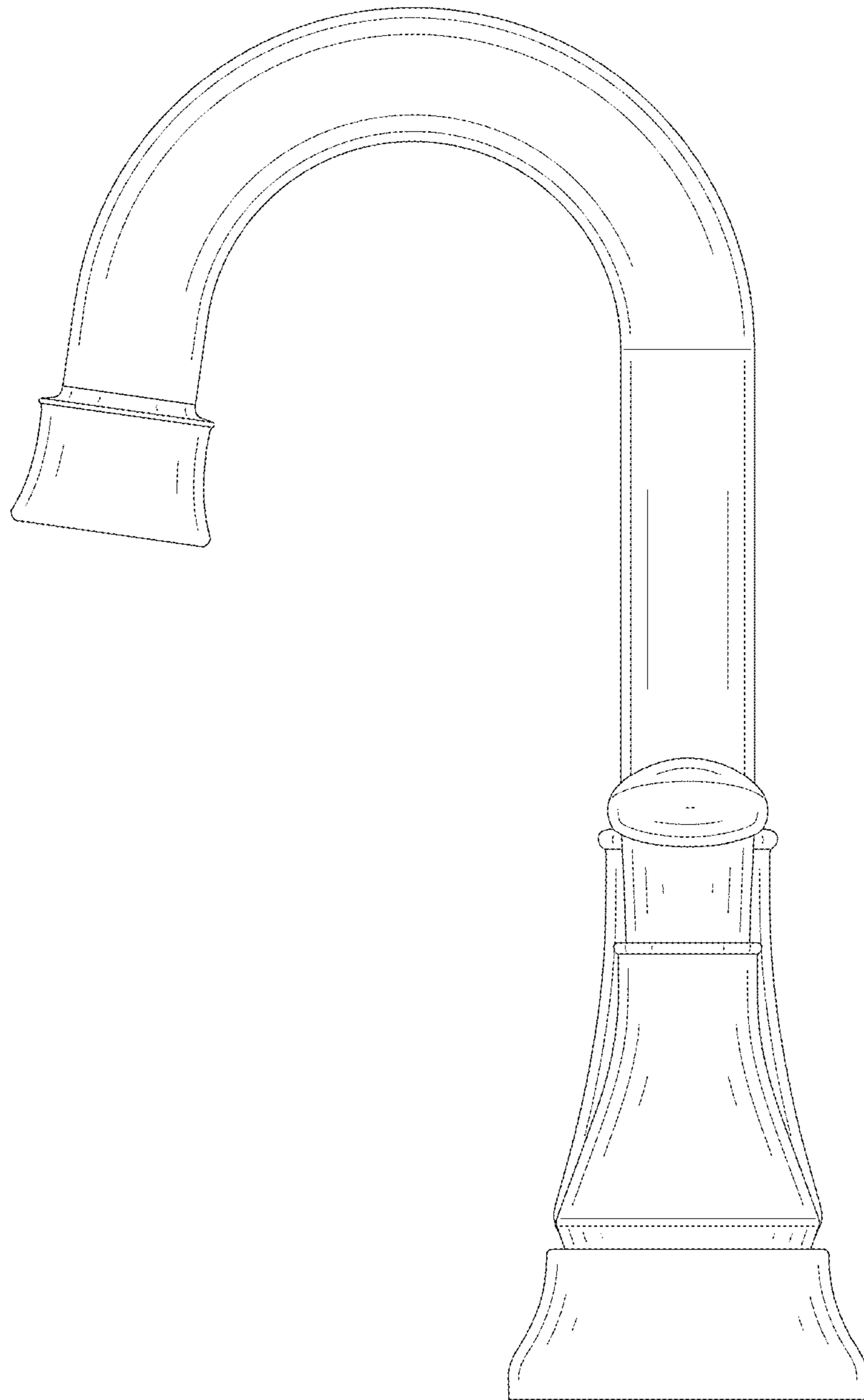


FIG.6

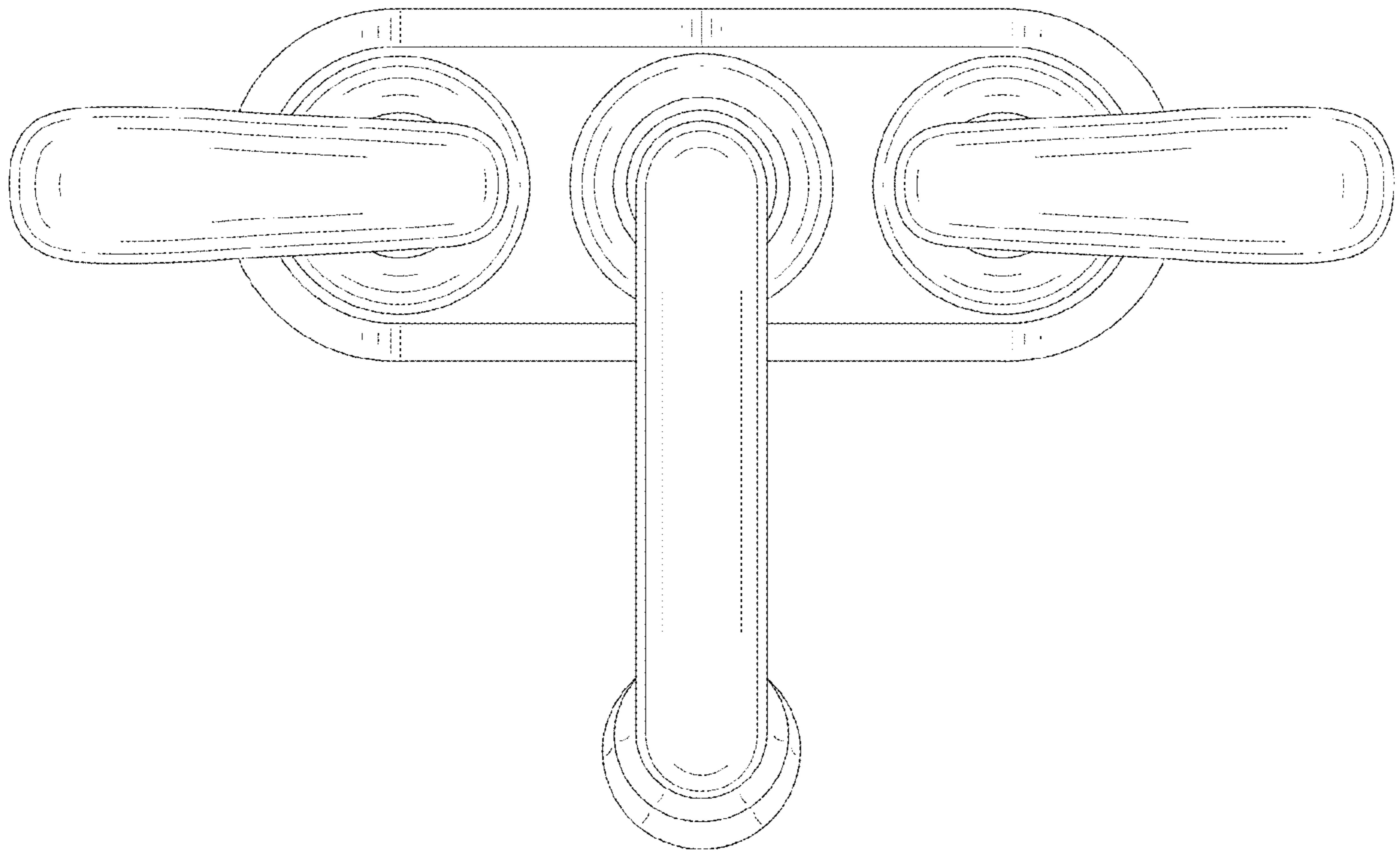


FIG.7

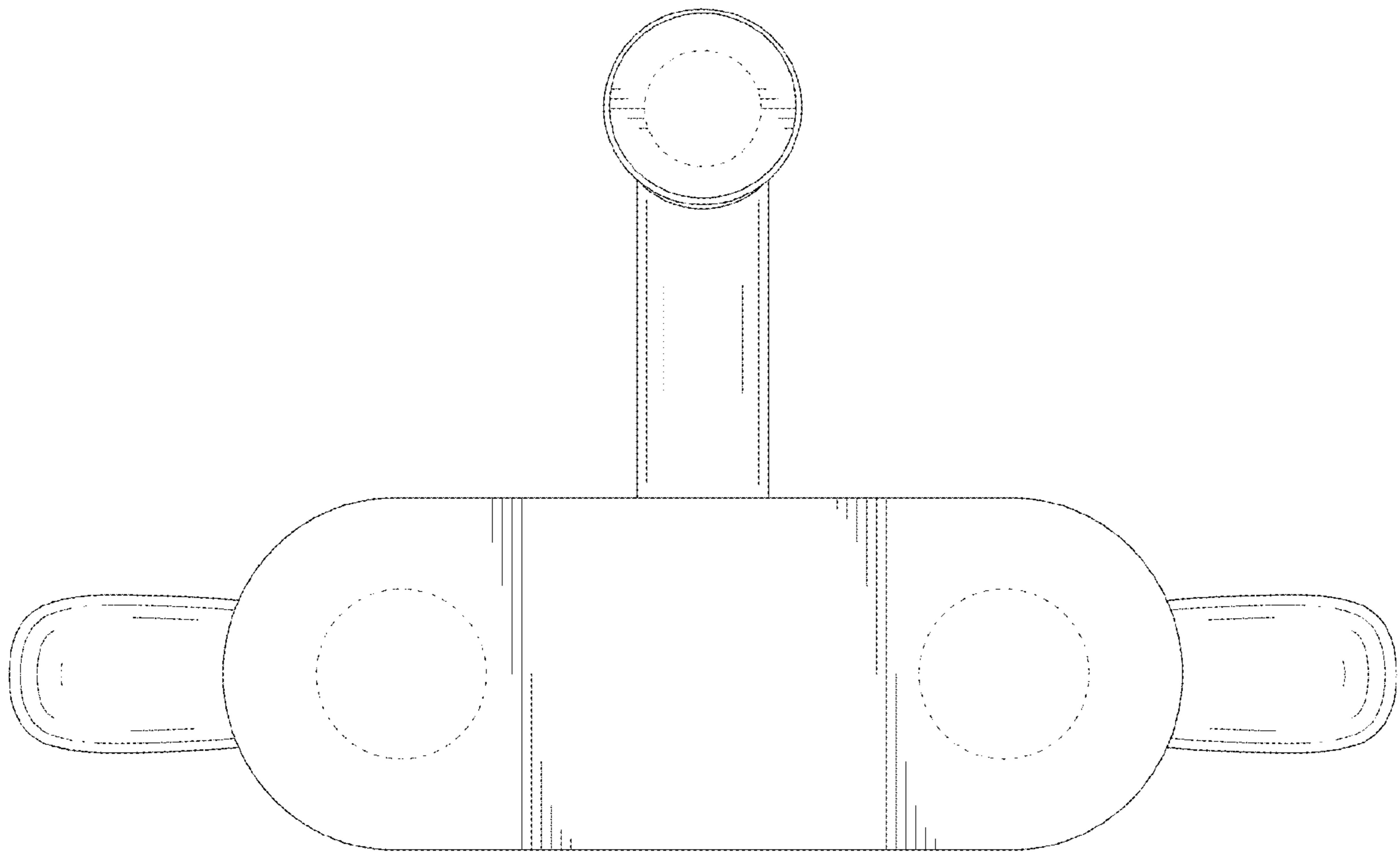


FIG.8