



US00D934996S

(12) **United States Design Patent** (10) **Patent No.:** **US D934,996 S**
Alvarez et al. (45) **Date of Patent:** **** Nov. 2, 2021**

(54) **VALVE**

D607,540 S 1/2010 Matsumoto
D636,460 S 4/2011 Hayashi
D653,308 S 1/2012 Senba
D721,163 S 1/2015 Nishiyama et al.
D726,882 S 4/2015 Maeda et al.
D828,498 S 9/2018 Doi et al.
D828,499 S 9/2018 Doi et al.
D890,300 S 7/2020 Alvarez et al.

(71) Applicant: **FAS MEDIC SA**, Oron (CH)

(72) Inventors: **Raphael Alvarez**, Nyon (CH); **Vincent Tanari**, Satigny (CH); **Pierre Sirdey**, Geneva (CH)

(73) Assignee: **FAS MEDIC SA**, Oron (CH)

(**) Term: **15 Years**

(21) Appl. No.: **29/761,296**

(22) Filed: **Dec. 8, 2020**

FOREIGN PATENT DOCUMENTS

WO 2008037272 A1 4/2008
WO 2013053497 A2 4/2013
WO 2013053498 A2 4/2013
WO 2015118070 A1 8/2015

Primary Examiner — Gino Colan

(74) *Attorney, Agent, or Firm* — The Ollila Law Group LLC

Related U.S. Application Data

(60) Continuation of application No. 29/737,898, filed on Jun. 12, 2020, now Pat. No. Des. 908,192, which is a division of application No. 29/625,583, filed on Nov. 10, 2017, now Pat. No. Des. 890,300.

(51) **LOC (13) Cl.** **23-01**

(52) **U.S. Cl.**
USPC **D23/233**

(58) **Field of Classification Search**
USPC D23/233, 235, 237, 241, 247, 248, 249;
251/129.15, 129.2, 129.01
CPC ... F16K 31/0675; F16K 27/029; F16K 27/048
See application file for complete search history.

(56) **References Cited**

U.S. PATENT DOCUMENTS

D338,258 S 8/1993 Tamaki
D459,441 S 6/2002 Hayashi et al.

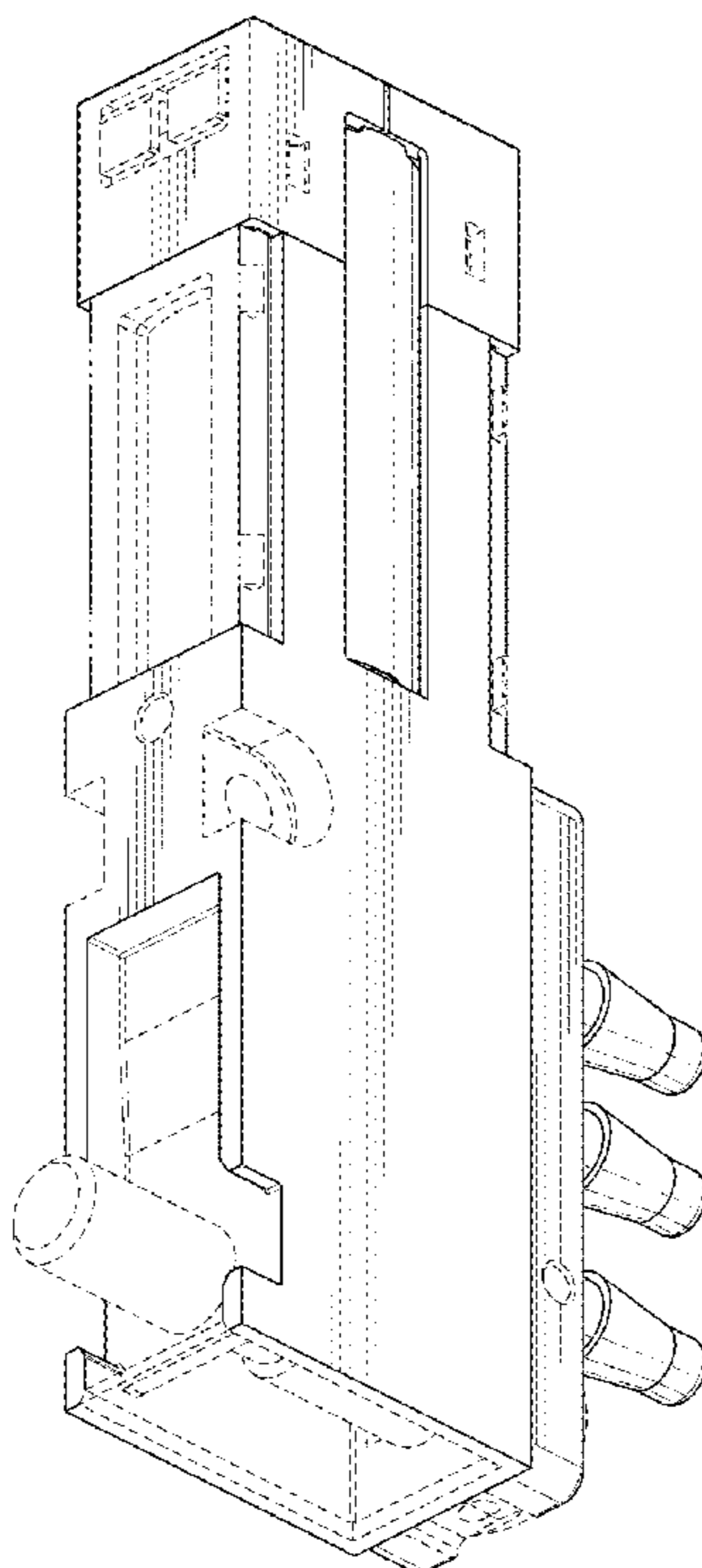
(57) **CLAIM**

The ornamental design for a valve, as shown and described.

DESCRIPTION

FIG. 1 is a front perspective view of a valve showing our new design;
FIG. 2 is a rear perspective view thereof;
FIG. 3 is a right side elevation view thereof, the left side being a mirror image;
FIG. 4 is a front elevation view thereof;
FIG. 5 is a rear elevation view thereof;
FIG. 6 is a top plan view thereof; and,
FIG. 7 is a bottom plan view thereof.
The broken lines shown in the figures are for the purpose of illustrating portions of the valve and form no part of the claimed design.

1 Claim, 6 Drawing Sheets



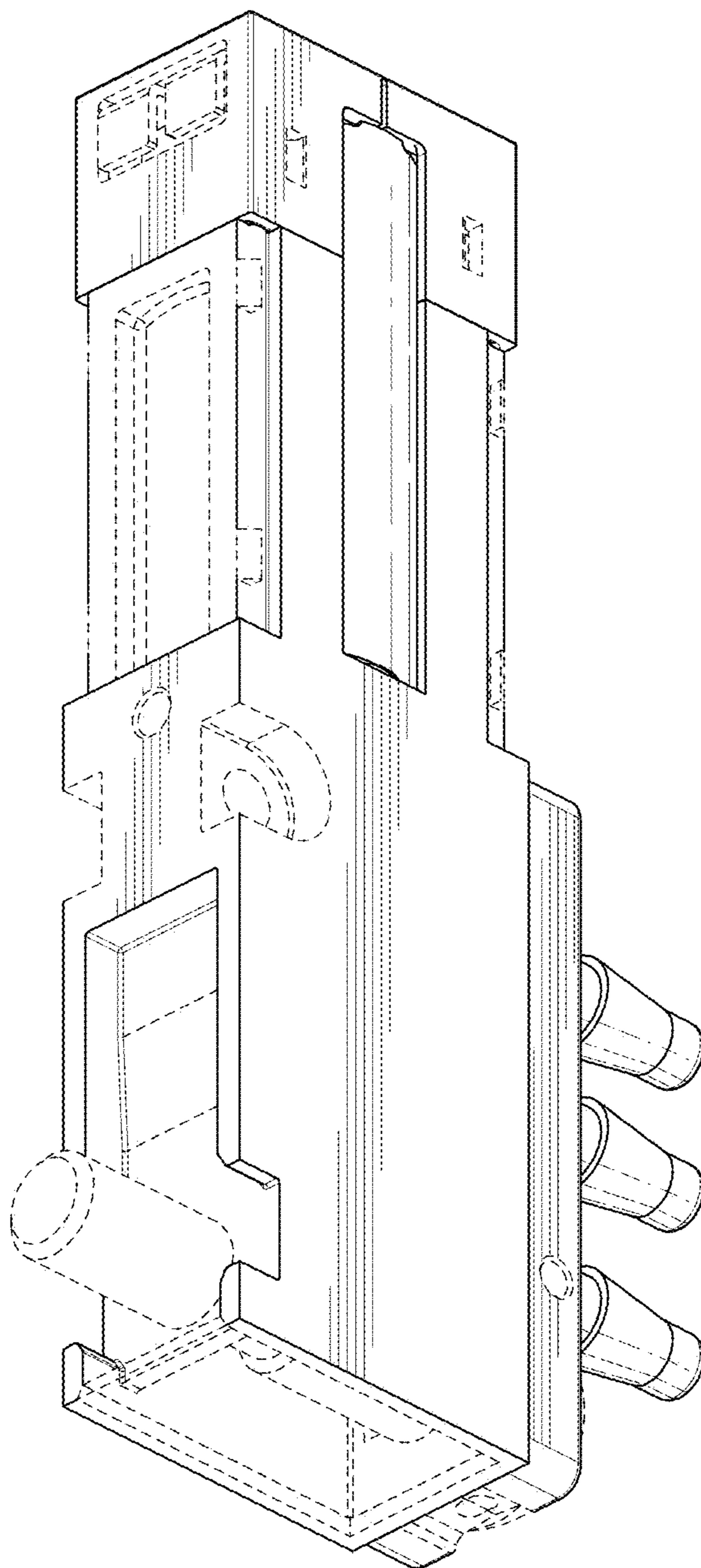


FIG. 1

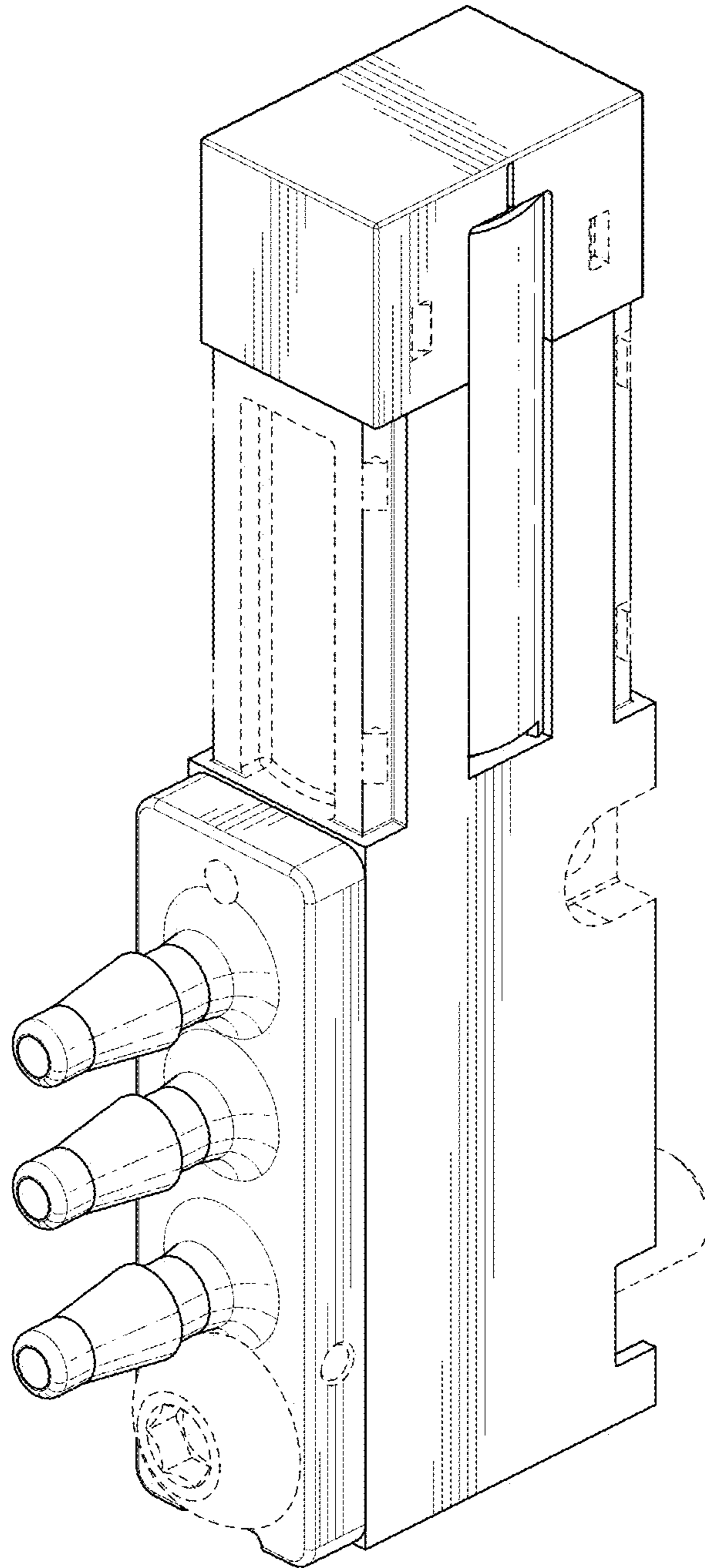


FIG. 2

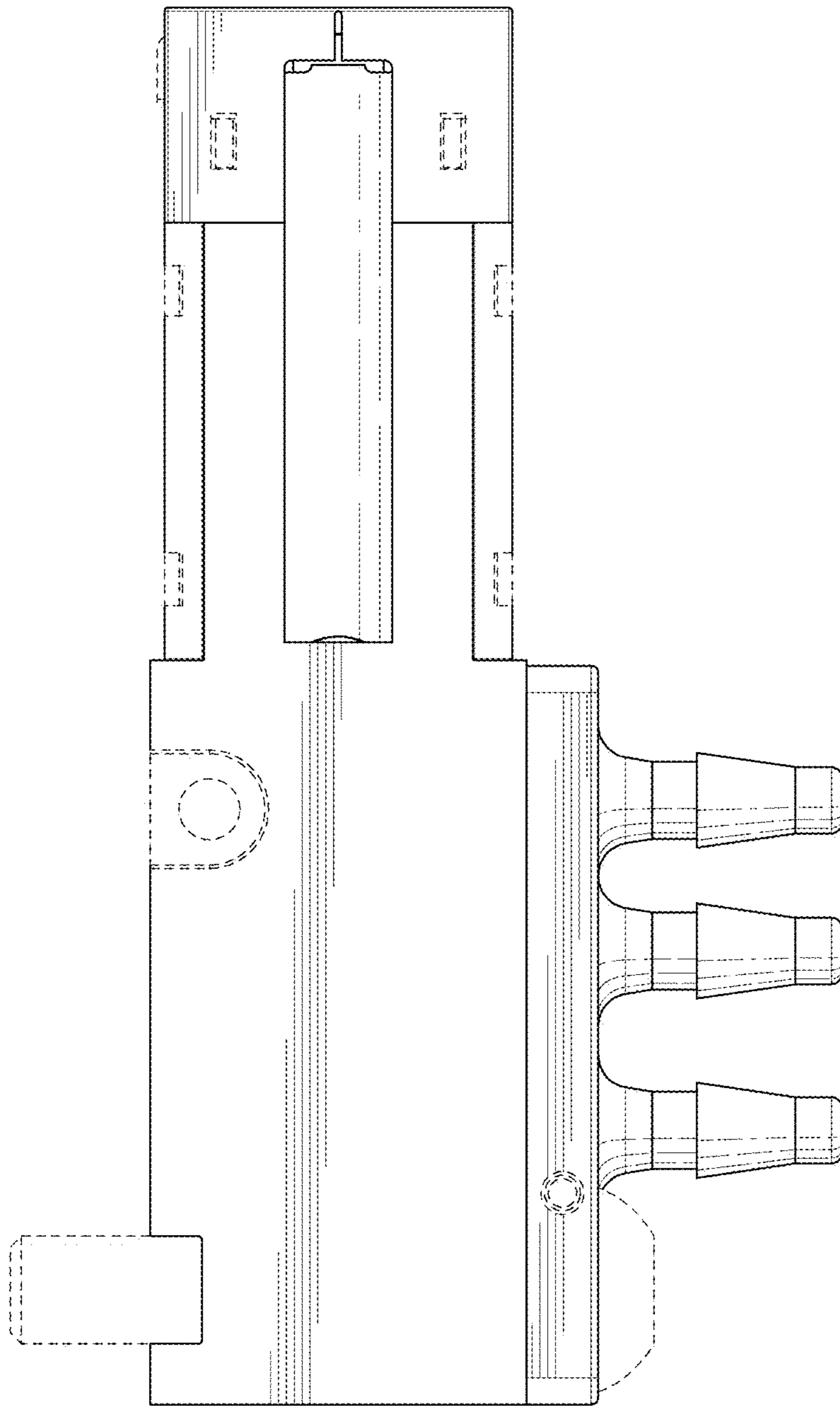


FIG. 3

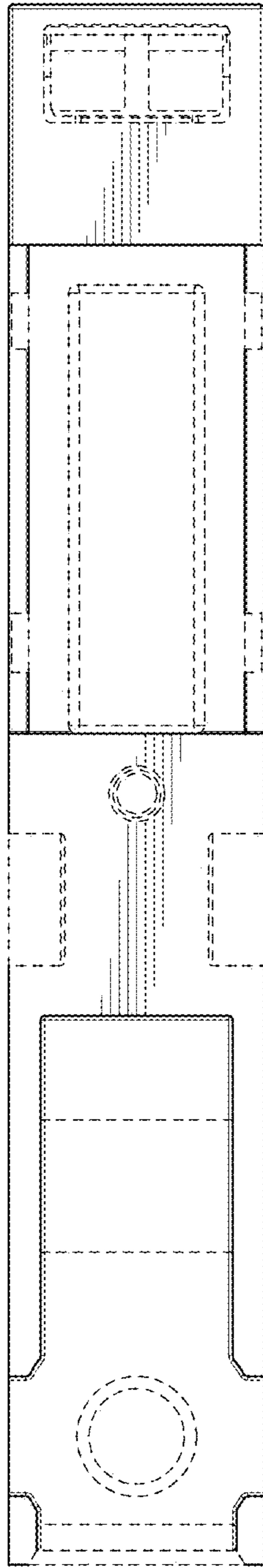


FIG. 4

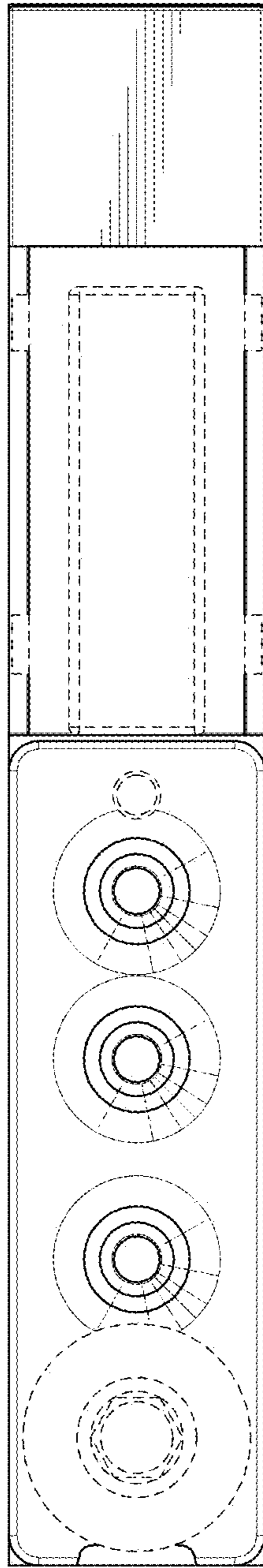


FIG. 5

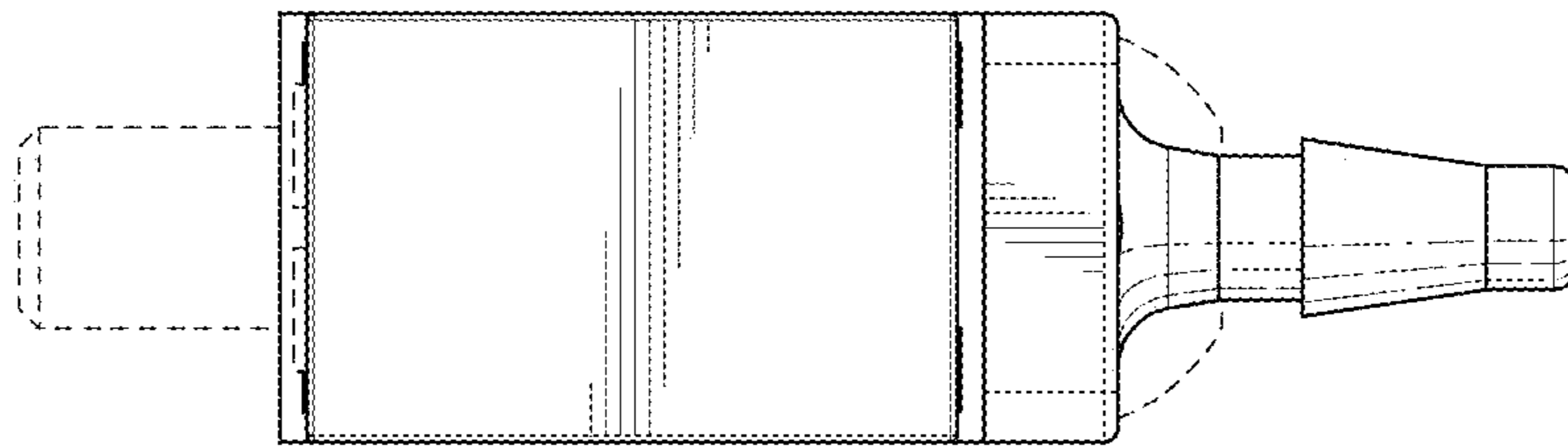


FIG. 6

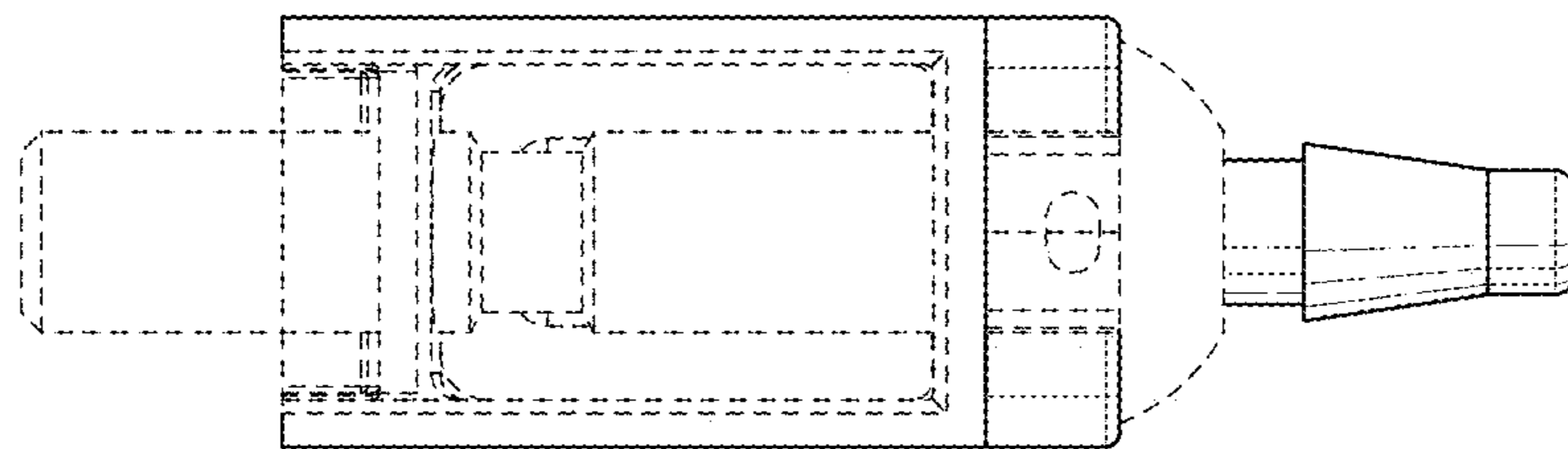


FIG. 7