



(12) **United States Design Patent**  
**Fantini**

(10) **Patent No.:** **US D934,994 S**  
(45) **Date of Patent:** **\*\* Nov. 2, 2021**

(54) **SHOWER HEAD**

(71) Applicant: **Fratelli Fantini S.p.A.**, Pella (IT)

(72) Inventor: **Daniela Fantini**, Pella (IT)

(73) Assignee: **FRATELLI FANTINI S.P.A.**, Pella (IT)

(\*\*) Term: **15 Years**

(21) Appl. No.: **29/712,522**

(22) Filed: **Nov. 8, 2019**

(30) **Foreign Application Priority Data**

May 9, 2019 (EM) ..... 006435665

(51) **LOC (13) Cl.** ..... **23-01**

(52) **U.S. Cl.**  
USPC ..... **D23/213**

(58) **Field of Classification Search**  
USPC ..... D23/213, 214, 215, 223, 224, 226, 229  
CPC ..... A61H 9/0021; A61H 33/00; B05B 1/00;  
B05B 1/14; B05B 1/185; B05B 1/08;  
B05B 1/02; B05B 1/26; B05B 12/002;  
B05B 1/18; B05B 9/01  
See application file for complete search history.

(56) **References Cited**

**U.S. PATENT DOCUMENTS**

D501,243	S	*	1/2005	Blomstrom	.....	D23/229
D531,262	S	*	10/2006	Tse	.....	D23/213
D566,228	S	*	4/2008	Neagoe	.....	D23/213
D694,357	S	*	11/2013	Brodey	.....	D23/213
D793,526	S	*	8/2017	Behdjat	.....	D23/213
D851,207	S	*	6/2019	Cocks	.....	D23/213
D888,195	S	*	6/2020	Cocks	.....	D23/213
D908,188	S	*	1/2021	Seum	.....	D23/213
D914,134	S	*	3/2021	Eads	.....	D23/213

10,946,395	B2	*	3/2021	Medeiros	.....	B05B 1/185
D920,472	S	*	5/2021	Chew	.....	D23/213
11,014,115	B2	*	5/2021	Huang	.....	B05B 1/18
D922,522	S	*	6/2021	Lin	.....	D23/213
D924,357	S	*	7/2021	Lai	.....	D23/213
2021/0048160	A1	*	2/2021	Wang	.....	B05B 3/04
2021/0094050	A1	*	4/2021	Bruce	.....	B05B 1/1663

**OTHER PUBLICATIONS**

Aerro 6" WaterSense Shower Head, Oct. 29, 2017, Amazon.com, Jul. 21, 2021.URL: [https://www.amazon.com/dp/B01FLAAVB6/ref=sbl\\_dp\\_x\\_B00LGI8AW0\\_0](https://www.amazon.com/dp/B01FLAAVB6/ref=sbl_dp_x_B00LGI8AW0_0) (Year: 2017).\*

(Continued)

*Primary Examiner* — Jack Reickel

*Assistant Examiner* — Keith J Wilson

(74) *Attorney, Agent, or Firm* — MH2 Technology Law Group, LLP

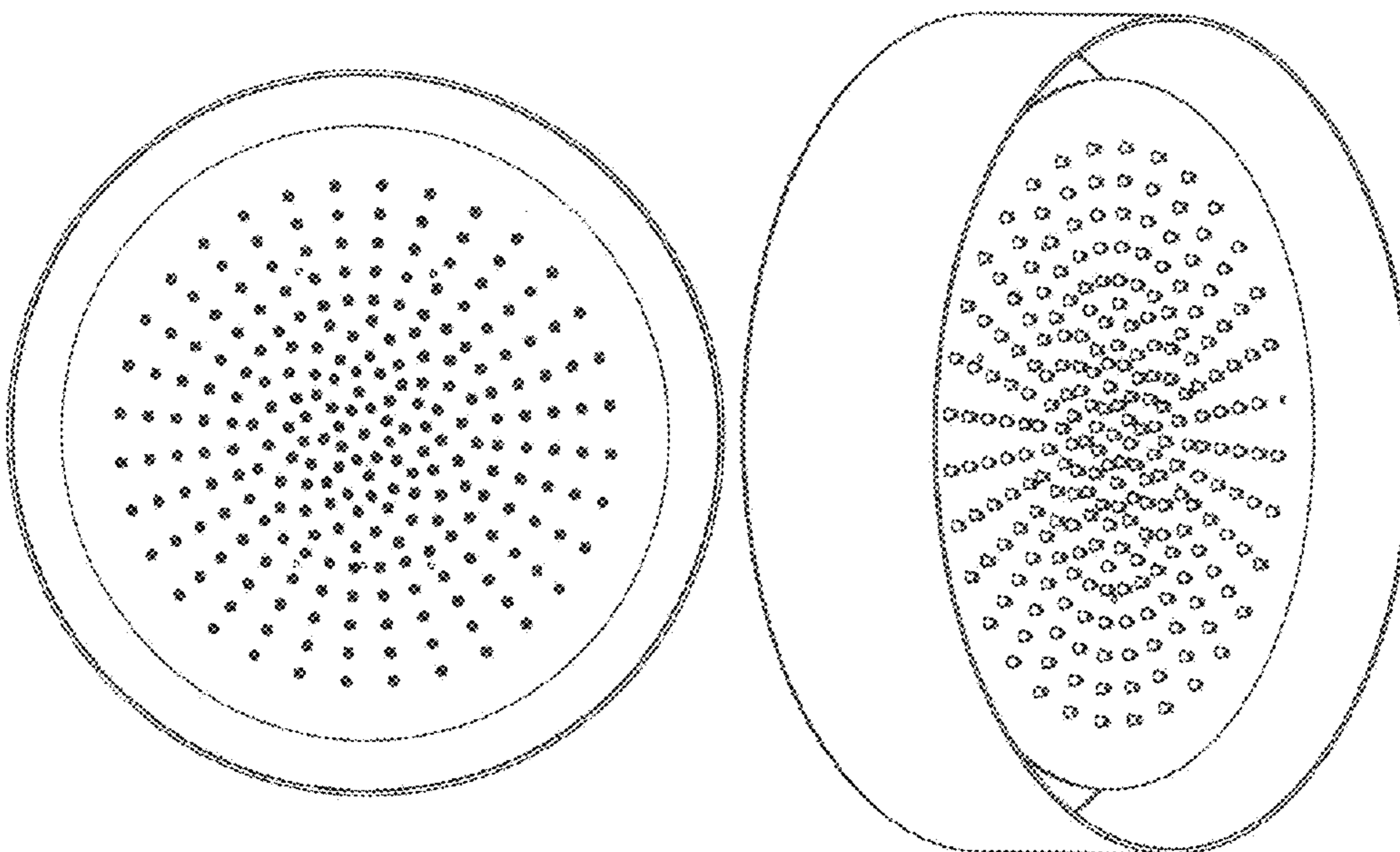
(57) **CLAIM**

The ornamental design for a shower head, as shown and described.

**DESCRIPTION**

FIG. 1 is a bottom plan view of a shower head showing my new design;  
FIG. 2 is a top, rear, right perspective view thereof;  
FIG. 3 is a rear elevational view thereof;  
FIG. 4 is a right-side elevational view thereof, the left-side elevational view being a mirror image of the right-side elevational view;  
FIG. 5 is a front elevational view thereof;  
FIG. 6 is a top plan view thereof; and,  
FIG. 7 is a bottom, rear, right perspective view thereof.  
The broken lines in FIGS. 2-6 represent portions of a shower head and form no part of the claimed design.

**1 Claim, 7 Drawing Sheets**



(56)

**References Cited**

OTHER PUBLICATIONS

Moen TS1322 Mosaic Round Single, Feb. 2, 2011, Amazon.com, Jul. 21, 2021.URL: <https://www.amazon.com/Moen-TS1322BN-Square-Function-Required-Brushed/dp/B0052U05NU> (Year: 2011).\*

Kingston Brass K124A6 Victorian Shower Head, Dec. 5, 2019, Amazon.com, Jul. 21, 2021.URL: [https://www.amazon.com/dp/B082VWBJ81/ref=sbl\\_dp\\_x\\_B000PH2K38\\_0](https://www.amazon.com/dp/B082VWBJ81/ref=sbl_dp_x_B000PH2K38_0) (Year: 2019).\*

Huntington Brass PL12SH8 Classic 8-Inch Rain Shower Head, Jun. 18, 2014, Amazon.com, Jul. 21, 2021.URL: <https://www.amazon.com/Huntington-Brass-PL12SH8-Classic-8-Inch/dp/B00L2RJFC> (Year: 2014).\*

\* cited by examiner

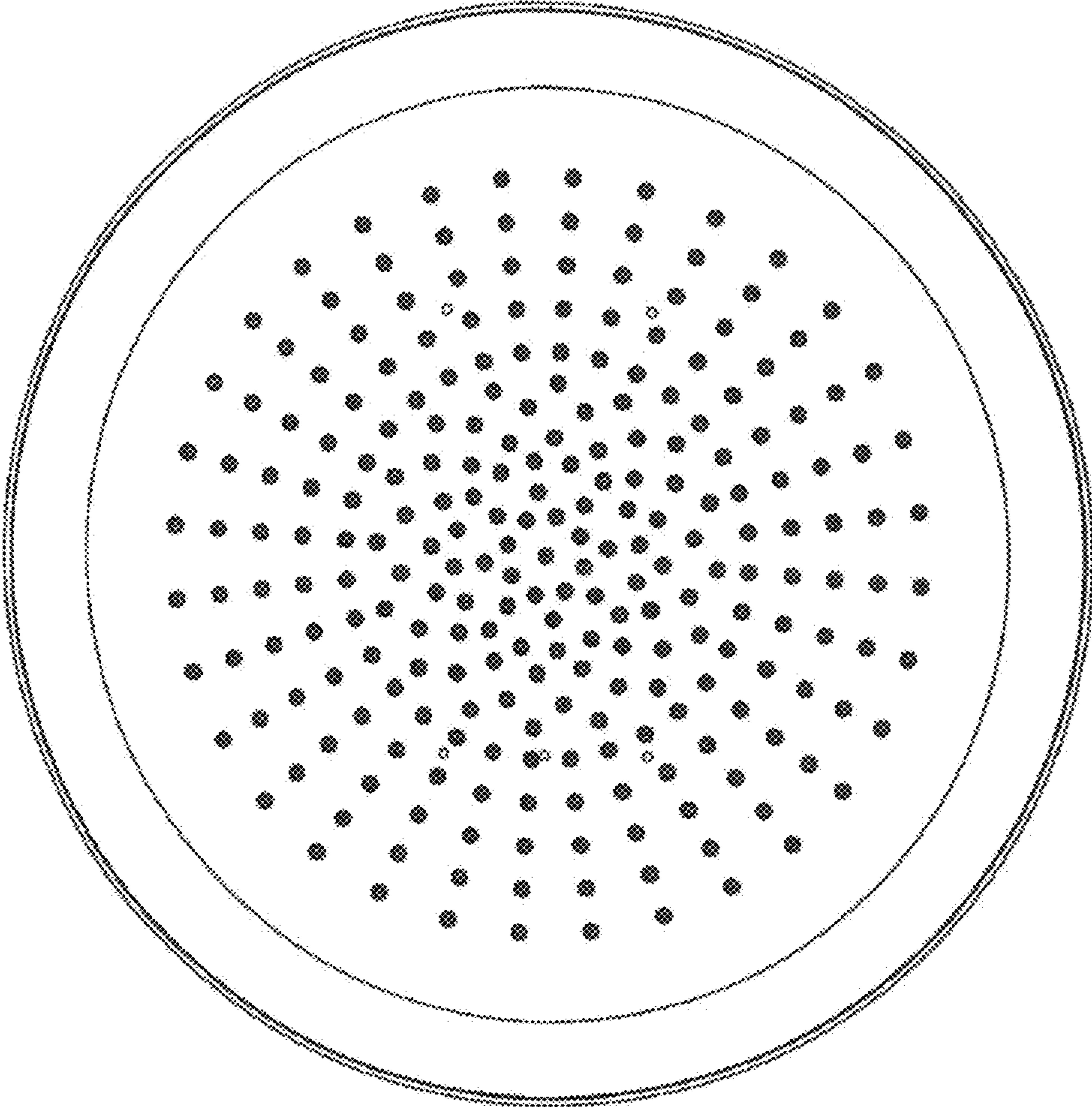
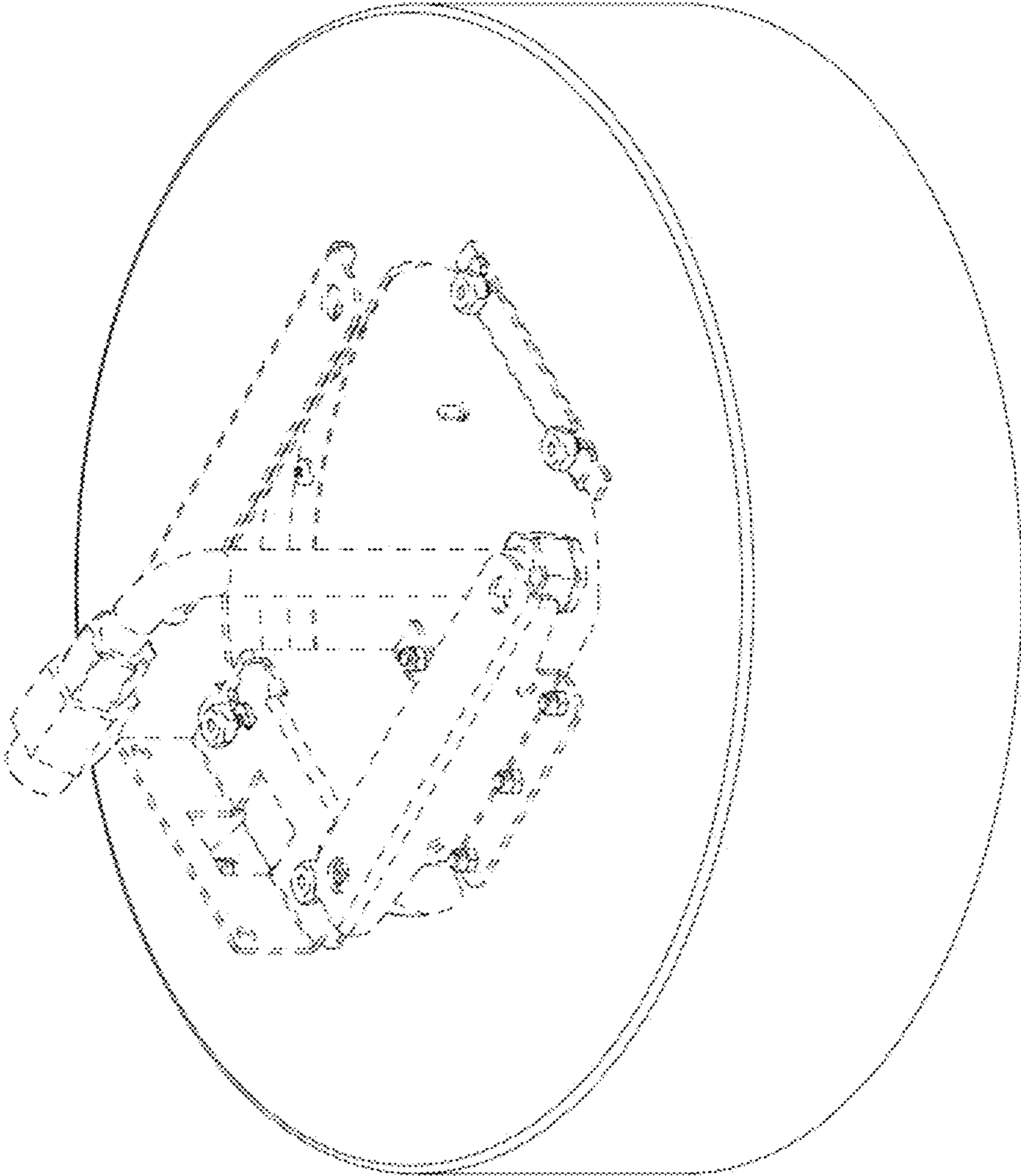
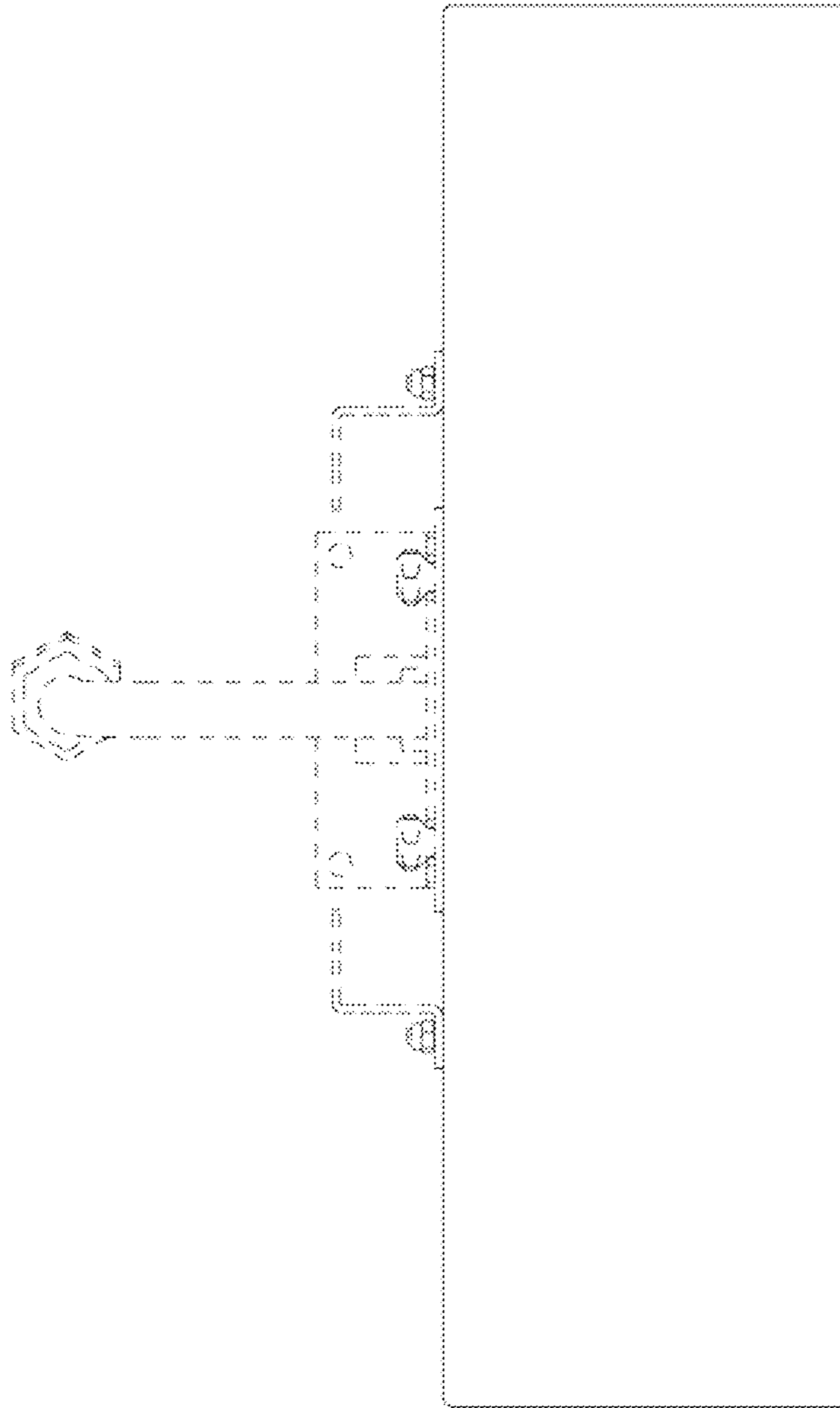


FIG. 1

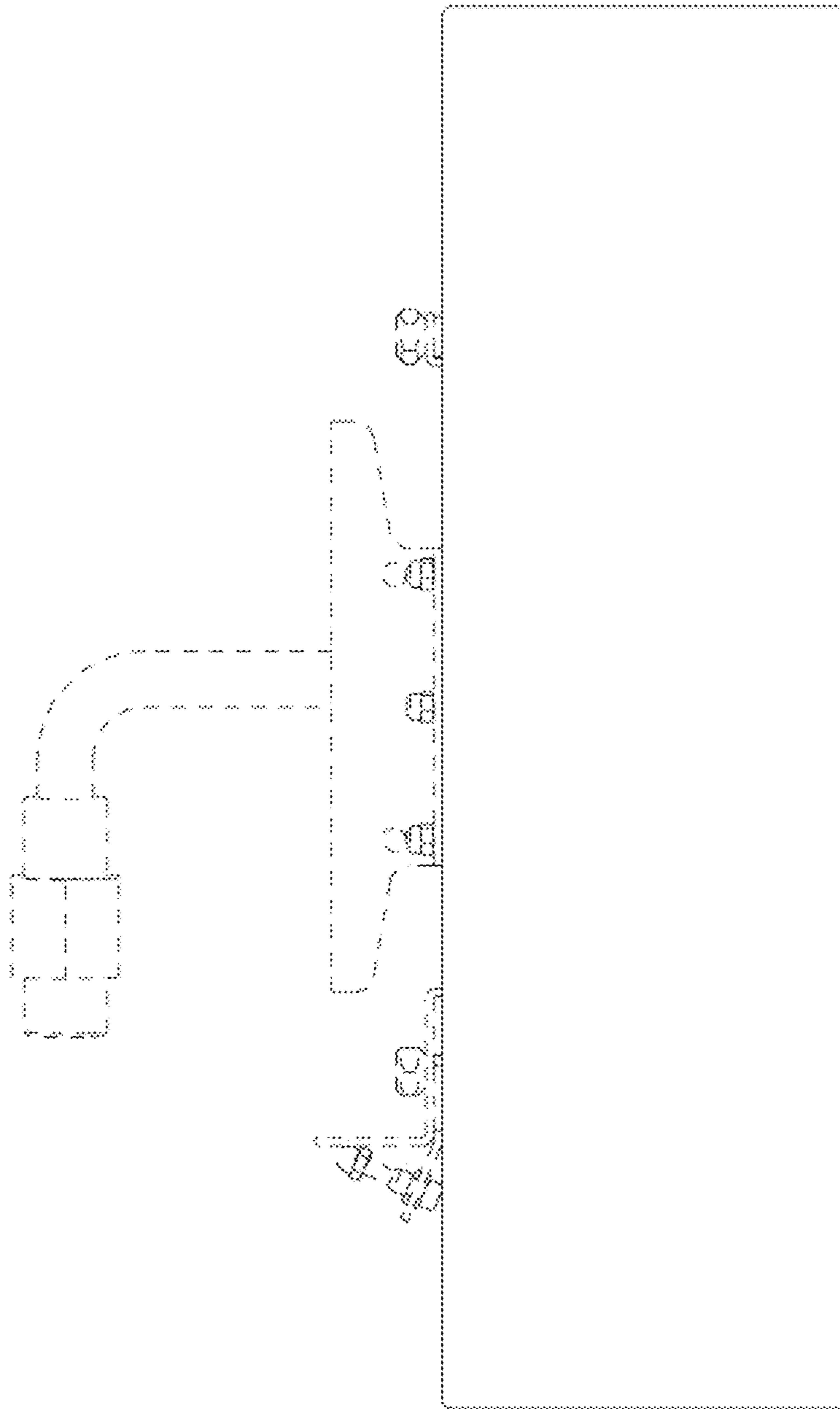




**FIG. 2**



**FIG. 3**



**FIG. 4**

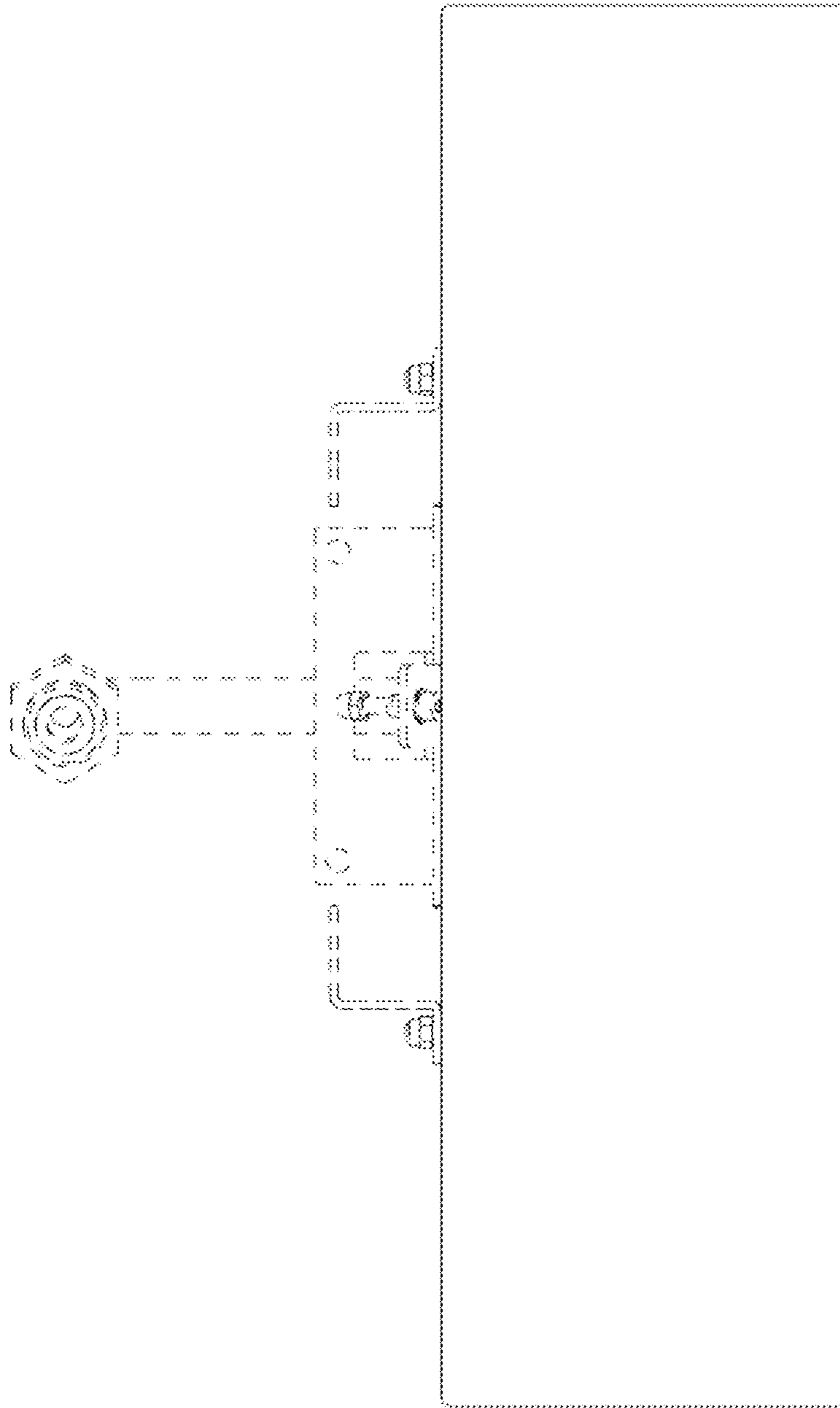
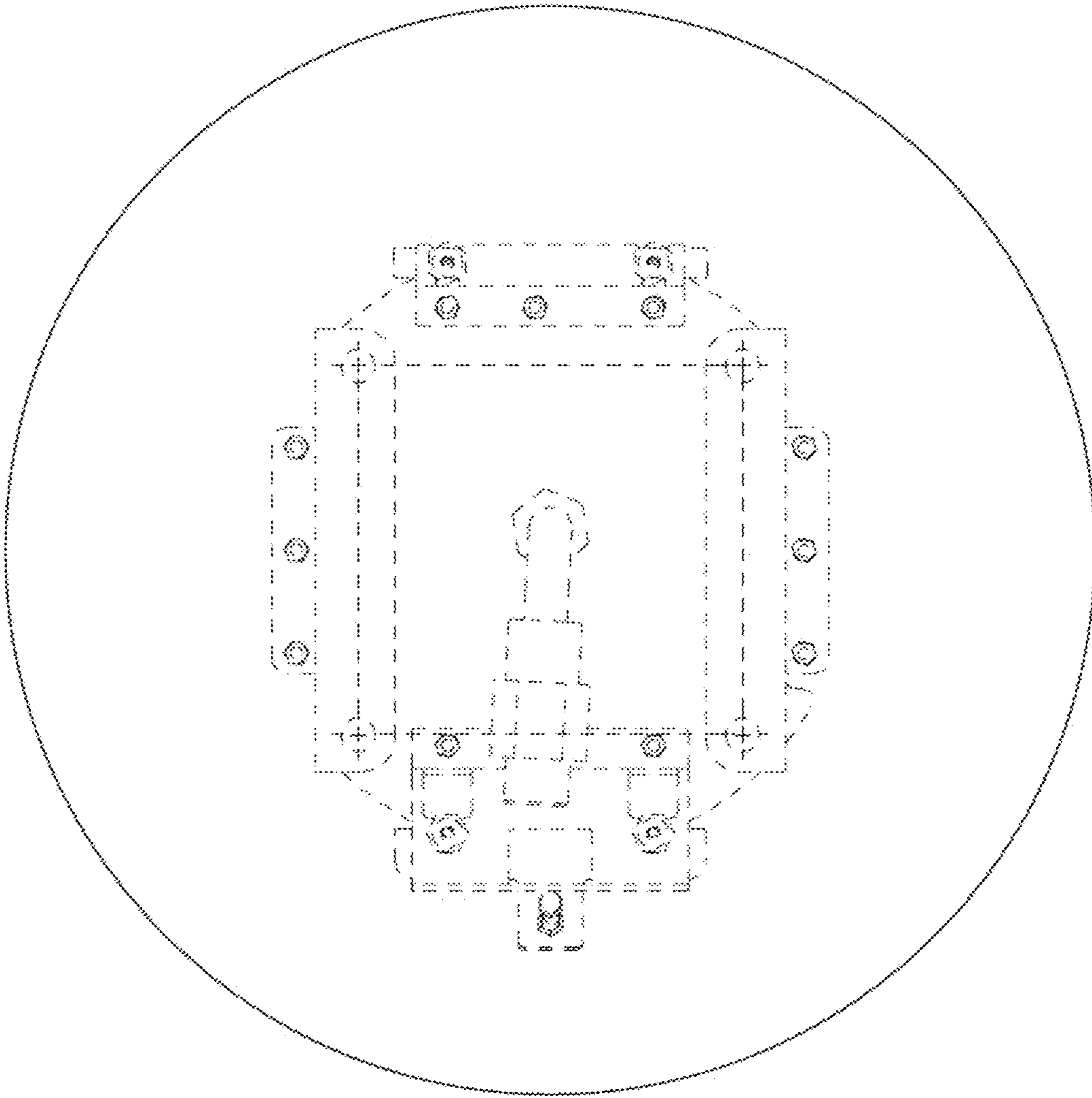
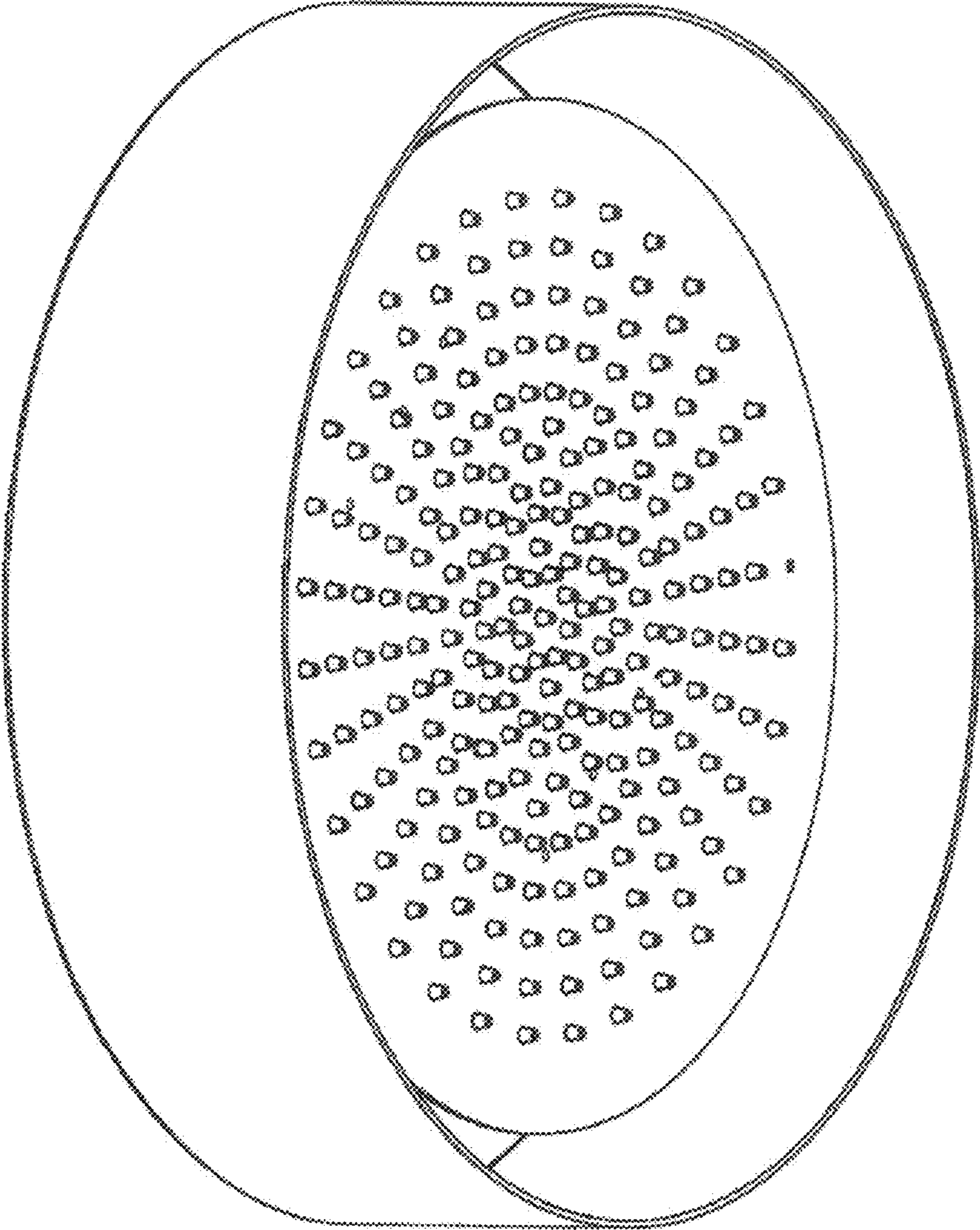


FIG. 5



**FIG. 6**





**FIG. 7**