



US00D934988S

(12) **United States Design Patent**
Jackson et al.

(10) **Patent No.:** **US D934,988 S**

(45) **Date of Patent:** **** Nov. 2, 2021**

(54) **SWIMMING POOL SKIMMER**

(71) Applicant: **JACKSON POOLS, INC.**, Fort Myers, FL (US)

(72) Inventors: **Chad Jackson**, Fort Myers, FL (US);
Richard Cox, Fort Myers, FL (US)

(73) Assignee: **JACKSON POOLS, INC.**, Fort Myers, FL (US)

(**) Term: **15 Years**

(21) Appl. No.: **29/648,743**

(22) Filed: **May 23, 2018**

(51) **LOC (13) Cl.** **23-01**

(52) **U.S. Cl.**
USPC **D23/207**

(58) **Field of Classification Search**
USPC D23/207-210, 261, 267-268
CPC A01K 63/04; A01K 63/045; C02F 3/082;
C02F 3/18
See application file for complete search history.

(56) **References Cited**

U.S. PATENT DOCUMENTS

3,815,161 A	6/1974	Baker	
4,212,740 A	7/1980	Greene	
4,454,035 A	6/1984	Stefan	
4,498,984 A	2/1985	Colson	
7,306,718 B2	12/2007	Gardenier	
7,402,242 B2	7/2008	Duckett	
D582,020 S *	12/2008	Porter	D23/267
D596,273 S *	7/2009	Porter	D23/267
D686,694 S *	7/2013	Li	D23/210
D699,820 S *	2/2014	Beaudoin	D23/267
D825,049 S *	8/2018	Miskel	D23/388
D868,206 S *	11/2019	Carriere	D23/209
D882,046 S *	4/2020	Schreiber	D23/267
D901,645 S *	11/2020	Bayless	D23/259

10,881,997 B2 * 1/2021 Turbett A61L 2/28
D912,766 S * 3/2021 Tu D23/209
2017/0175410 A1 6/2017 Smith
(Continued)

OTHER PUBLICATIONS

SP1099S Spa Skimmer BasketBy Hayward, Jun. 7, 2017, poolweb.com, Jul. 1, 2021, URL:https://www.poolweb.com/products/sp1099s-spa-skimmer-basket (Year: 2017).*
(Continued)

Primary Examiner — Jack Reickel

Assistant Examiner — Keith J Wilson

(74) *Attorney, Agent, or Firm* — Allen, Dyer, Doppelt + Gilchrist, PA

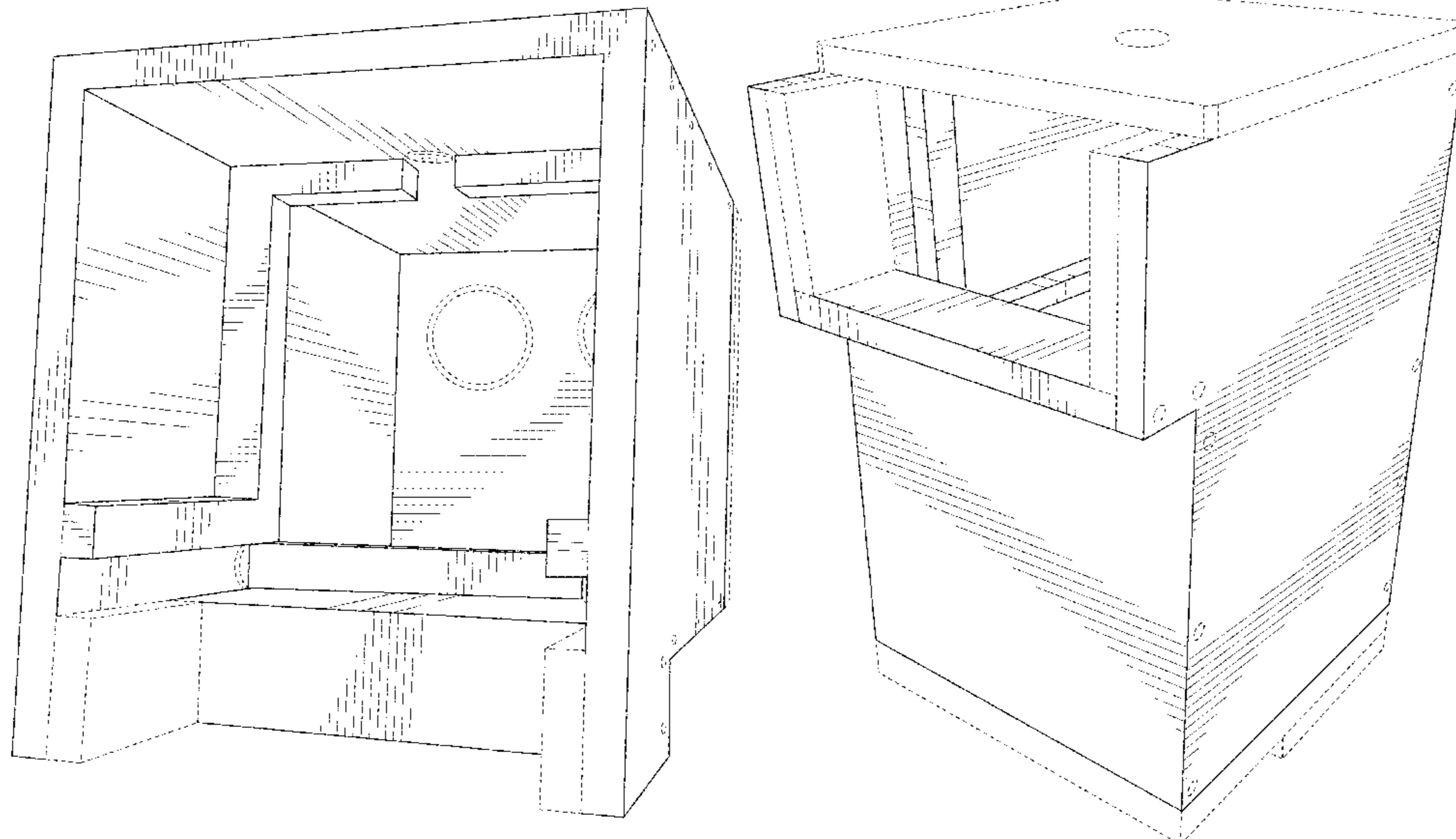
(57) **CLAIM**

The ornamental design for a swimming pool skimmer, as shown and described.

DESCRIPTION

FIG. 1 is a top perspective view thereof with a cover thereof removed;
FIG. 2 is a front perspective view thereof with the cover thereof;
FIG. 3 is a front view thereof with the cover thereof removed;
FIG. 4 is a back view thereof with the cover thereof removed;
FIG. 5 is a right side view thereof with the cover thereof removed;
FIG. 6 is a left side view thereof with the cover thereof removed;
FIG. 7 is a bottom view thereof;
FIG. 8 is a top view thereof with the cover, a weir gate, and filter basket thereof removed; and,
FIG. 9 is a perspective view of the weir gate thereof.
The broken lines shown represent portions of a swimming pool skimmer and form no part of the claimed design.

1 Claim, 9 Drawing Sheets



(56)

References Cited

U.S. PATENT DOCUMENTS

2021/0121814 A1* 4/2021 Chattell B01D 46/0005
 2021/0129067 A1* 5/2021 Knight B01D 46/00
 2021/0138382 A1* 5/2021 Mattox B01D 46/0002
 2021/0178611 A1* 6/2021 Sugasawa B25J 11/0045
 2021/0205744 A1* 7/2021 Neef B01D 46/0002

OTHER PUBLICATIONS

Hayward SPX1600M Basket Replacement, Jun. 5, 2017, Amazon.com, Sep. 7, 2021.URL: <https://www.amazon.com/Hayward-SPX1600M-Basket-Replacement-Super/dp/B001EXKTUS> (Year: 2017).*

Poolmaster 32190 High-Profile Thru-Wall Swimming Pool Skimmer, May 23, 2018, Amazon.com, Sep. 7, 2021.URL: <https://www.amazon.com/Poolmaster-32190-High-Profile-Thru-Wall-Skimmer/dp/B006H42HRW> (Year: 2018).*

Splash Pools Thru-the-Wall Skimmer, Standard, May 17, 2015, Amazon.com, Sep. 7, 2021.URL: <https://www.amazon.com/Splash-Pools-Thru-the-Wall-Skimmer-Standard/dp/B000G01TC2> (Year: 2015).*

Jacuzzi 43-0785-00-R SV Series Pool Skimmer Basket with Weir, Jul. 3, 2015, Amazon.com, Sep. 7, 2021.URL: <https://www.amazon.com/Jacuzzi-43-0785-00-R-Pool-Skimmer-Basket/dp/B004YLJE3U> (Year: 2015).*

Watkins 31680 Skimmer Weir W/Wheels Hot Spring; retrieved from internet on Jun. 8, 2018; 5 pages; web address: <https://www.ebay.com/p/Watkins-31680-Skimmer-Weir-W-Wheels-Hot-Spring/20007547946>.

Skimmer Weir w/Wheels, Hot Spring; retrieved from internet on Jun. 8, 2018; 4 pages; web address: <http://www.backyardplus.com/proddetail.php?prod=31680&cat=207>.

Jackson et al.; U.S. Appl. No. 15/987,633, filed May 23, 2018.

* cited by examiner

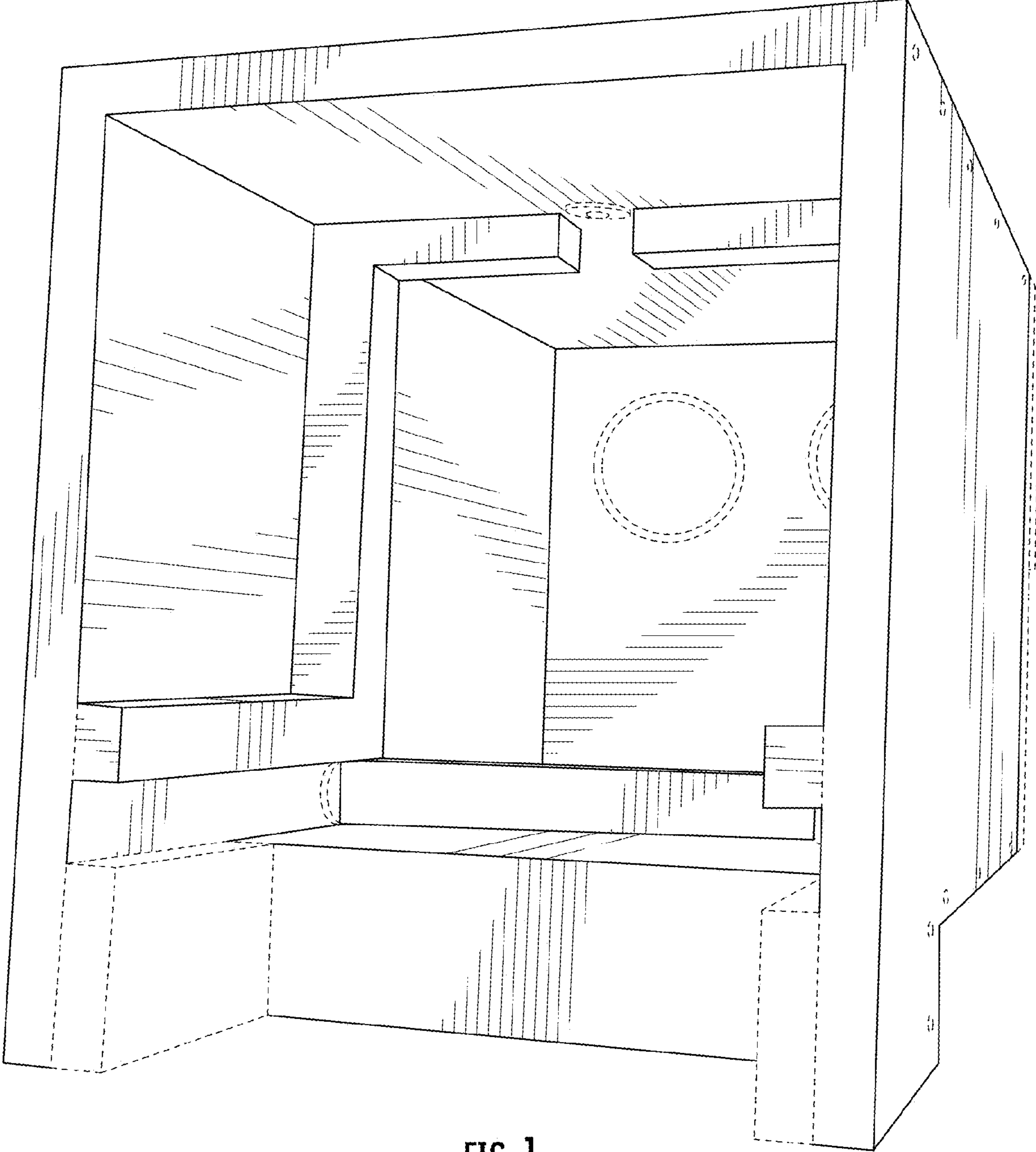


FIG. 1

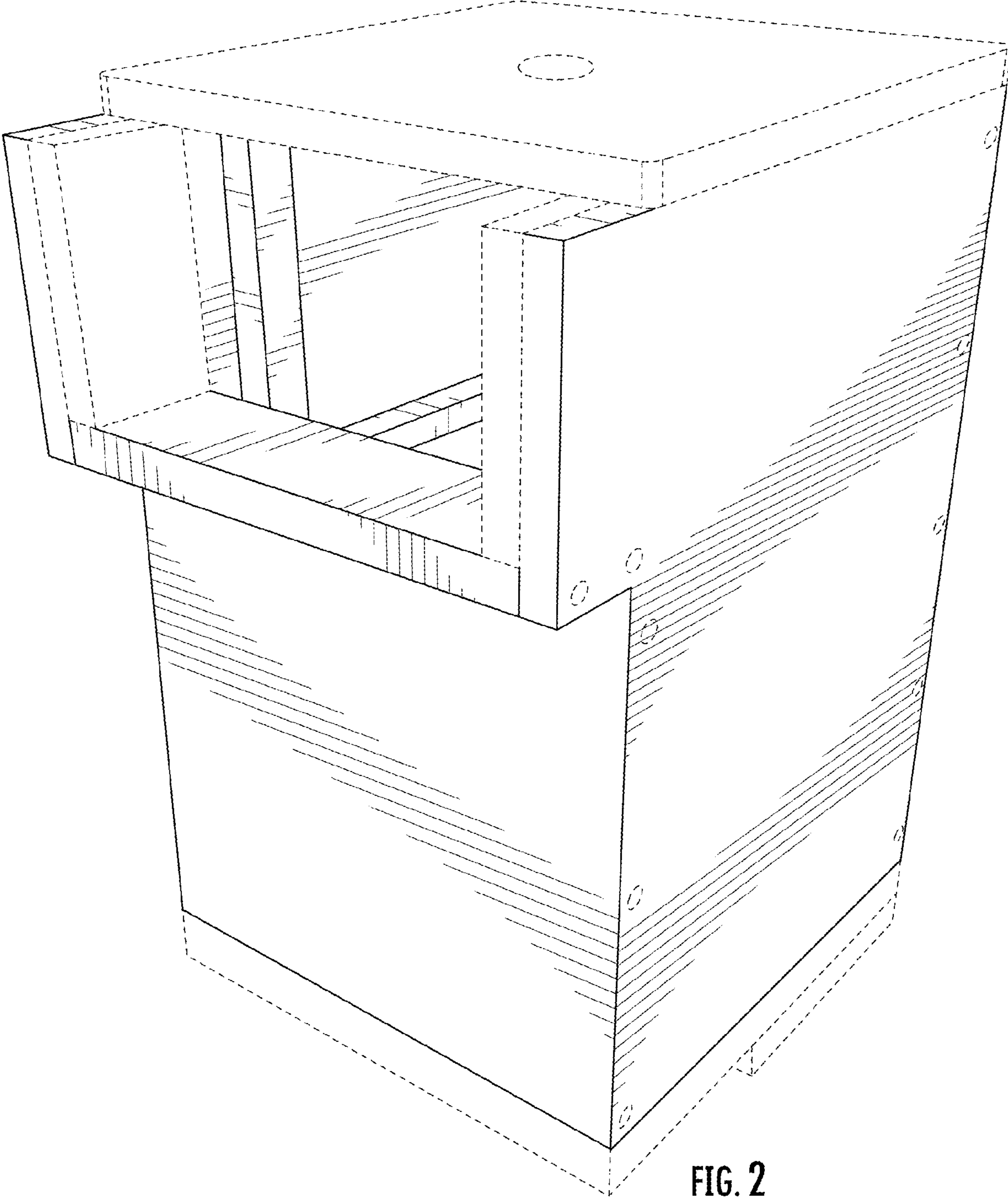


FIG. 2

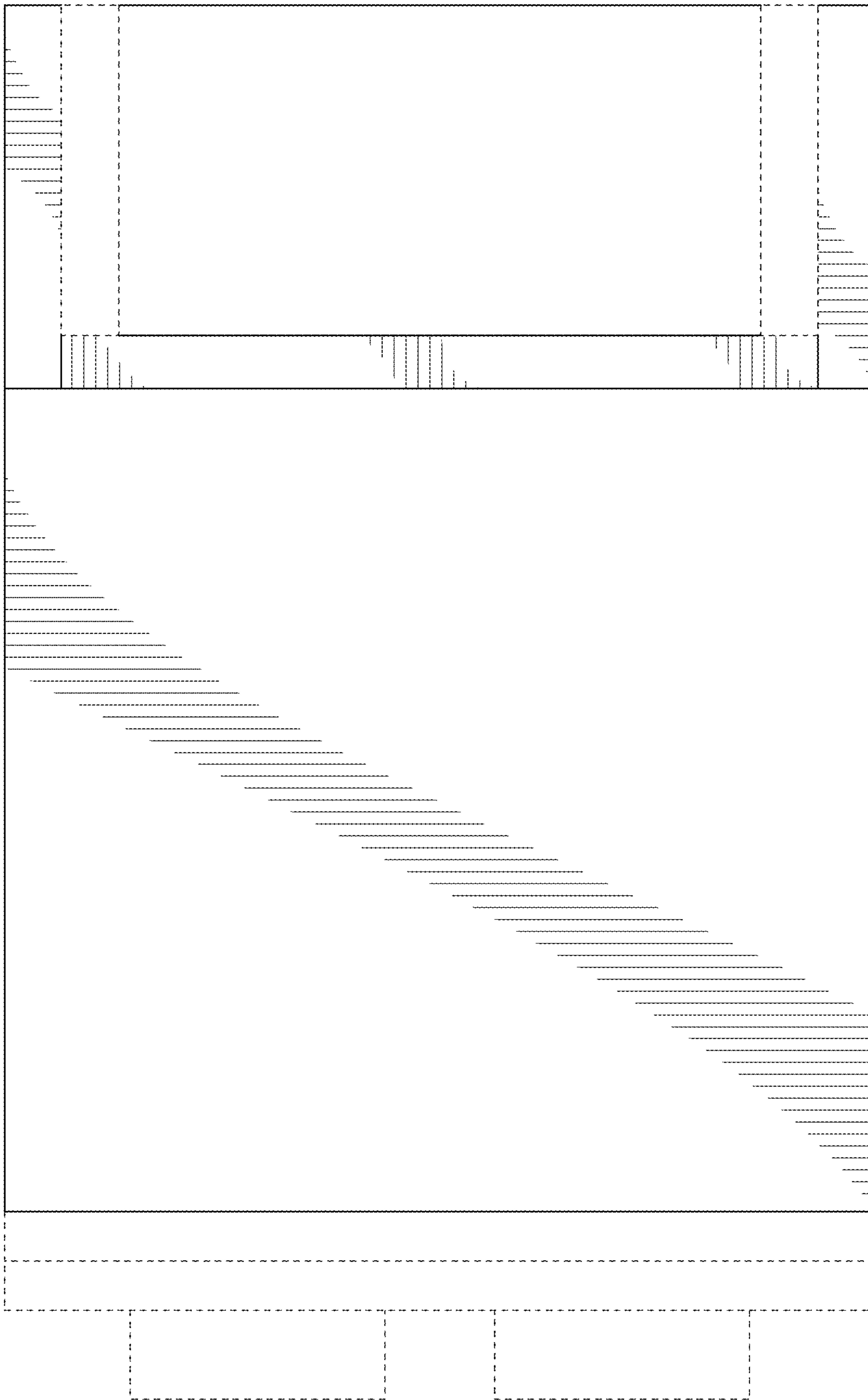


FIG. 3

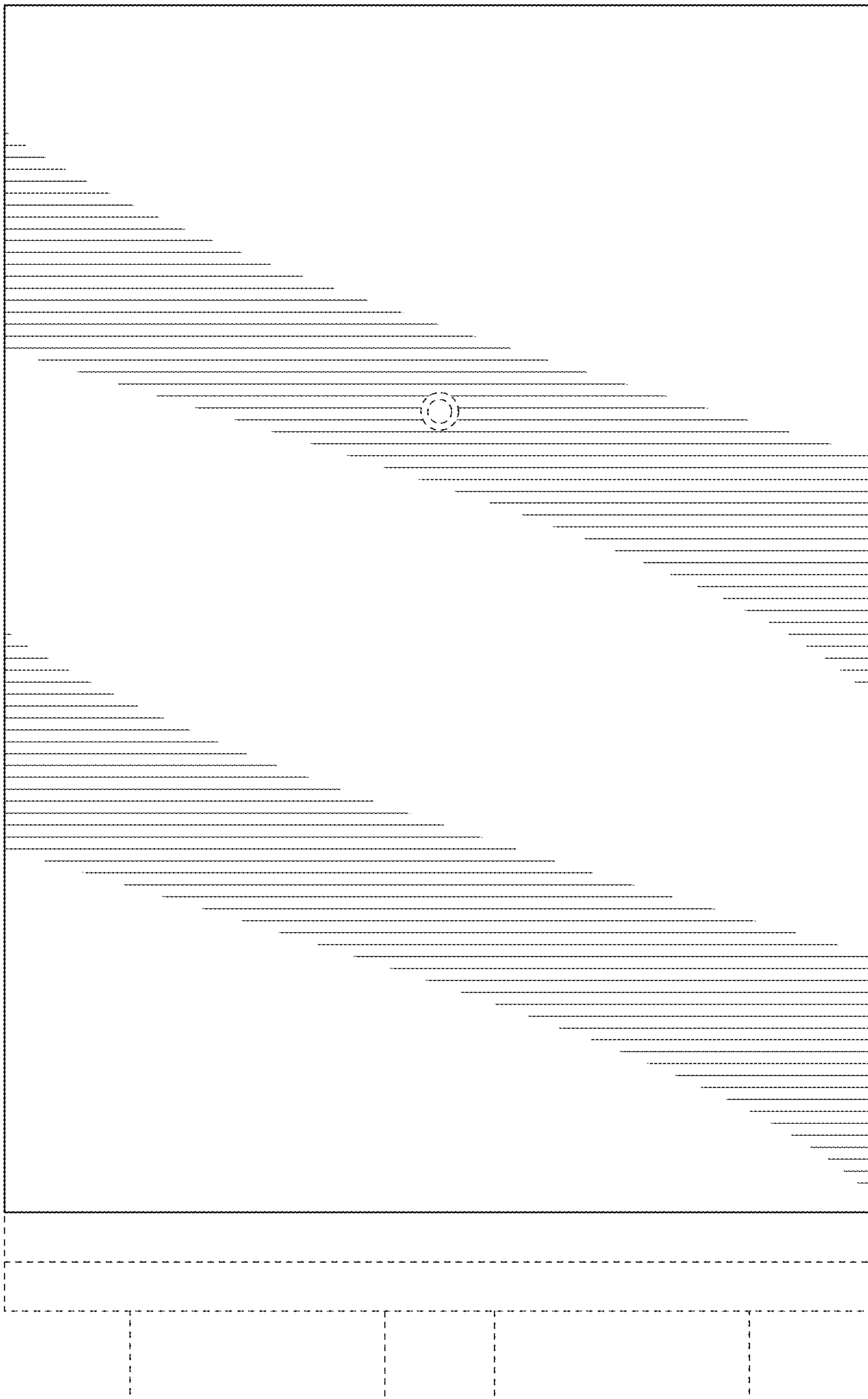


FIG. 4

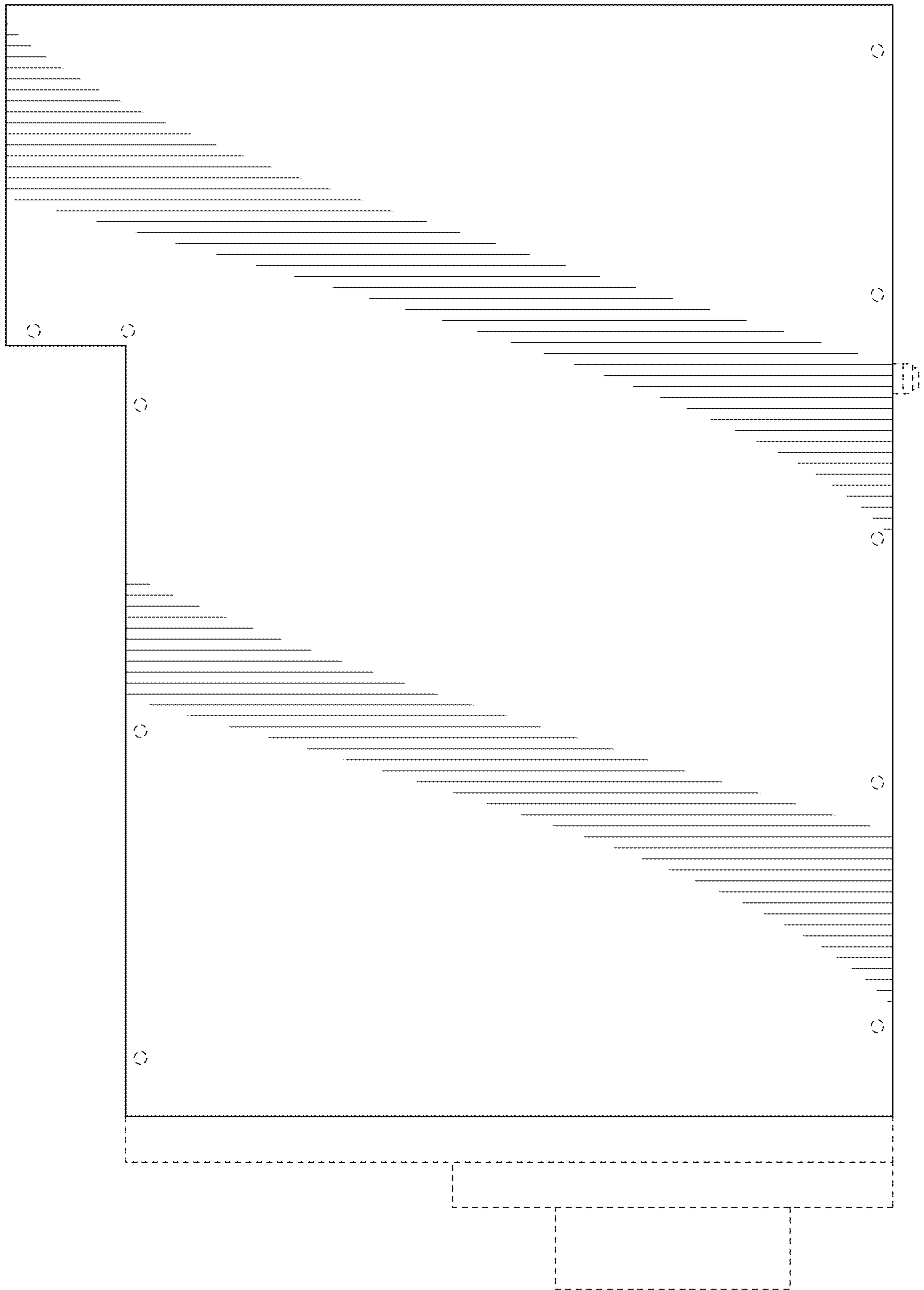


FIG. 5

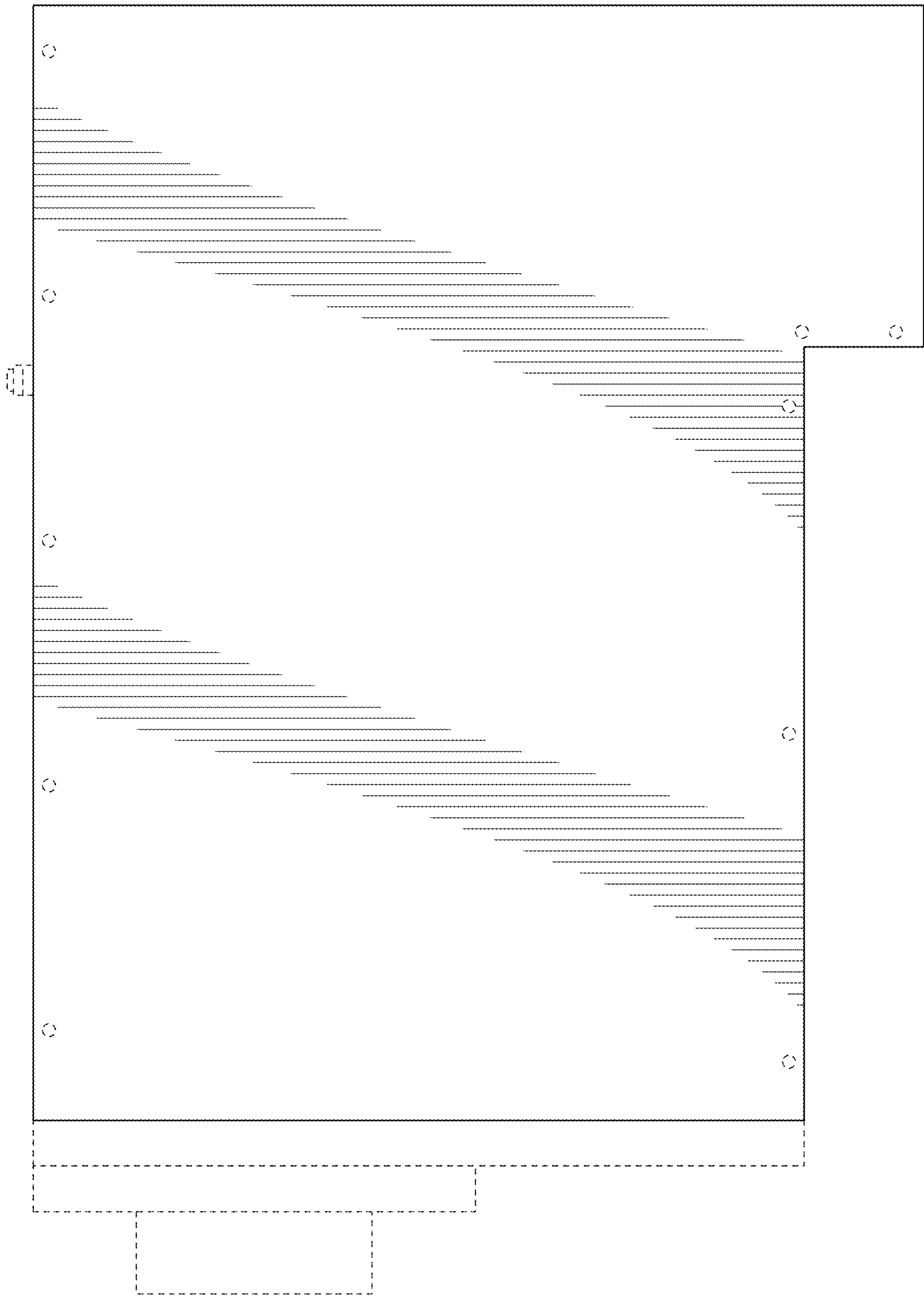


FIG. 6

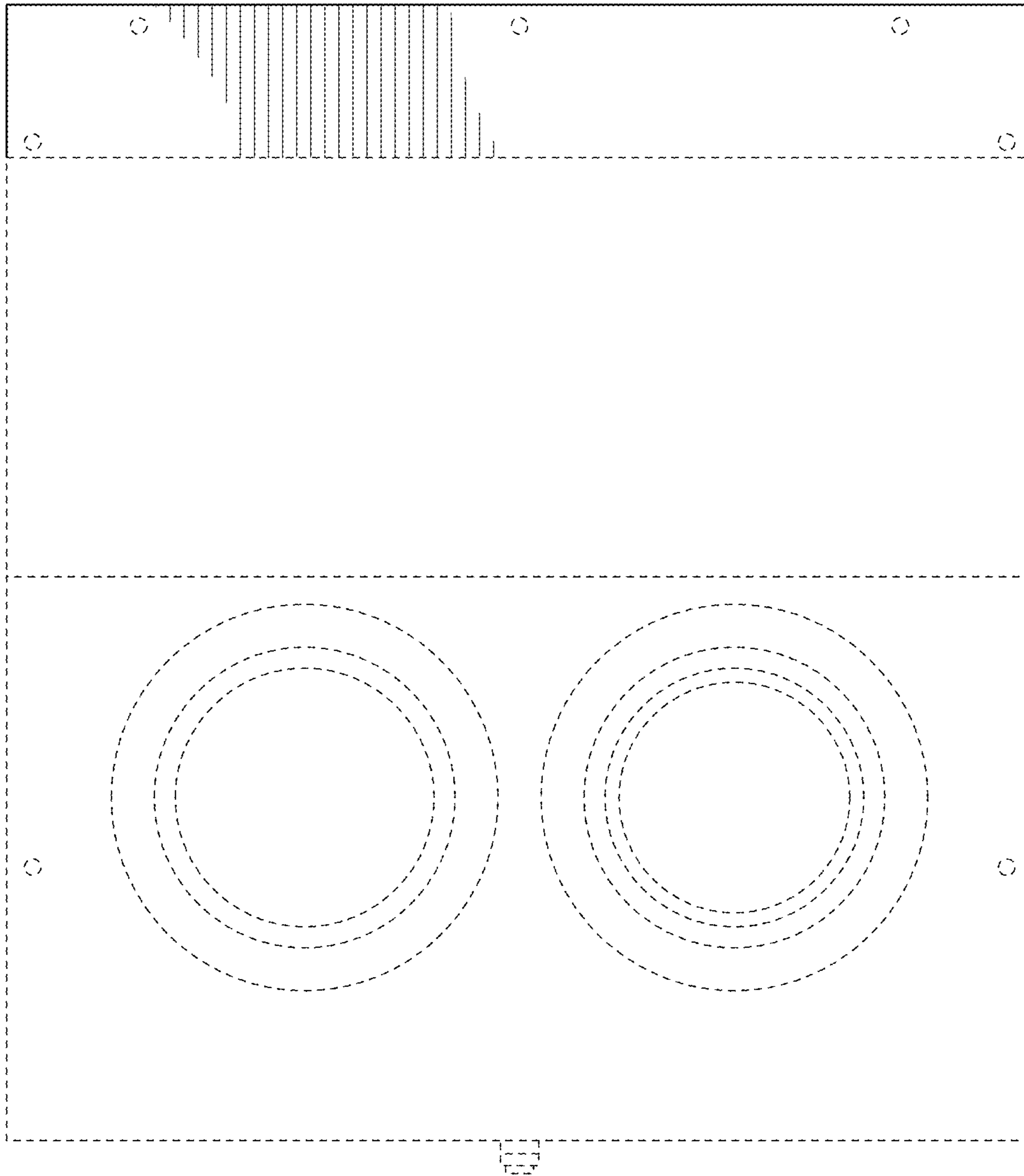


FIG. 7

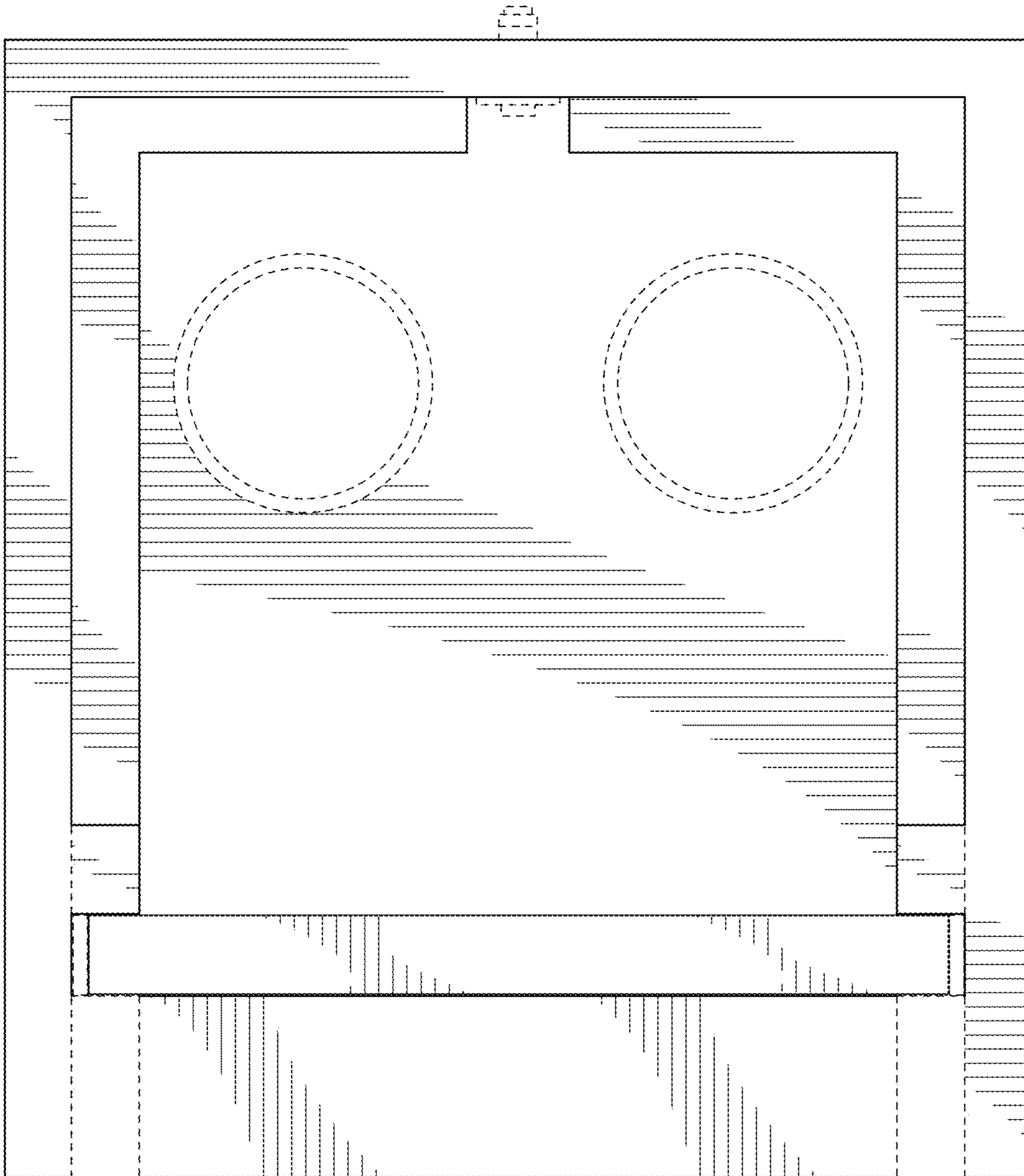


FIG. 8

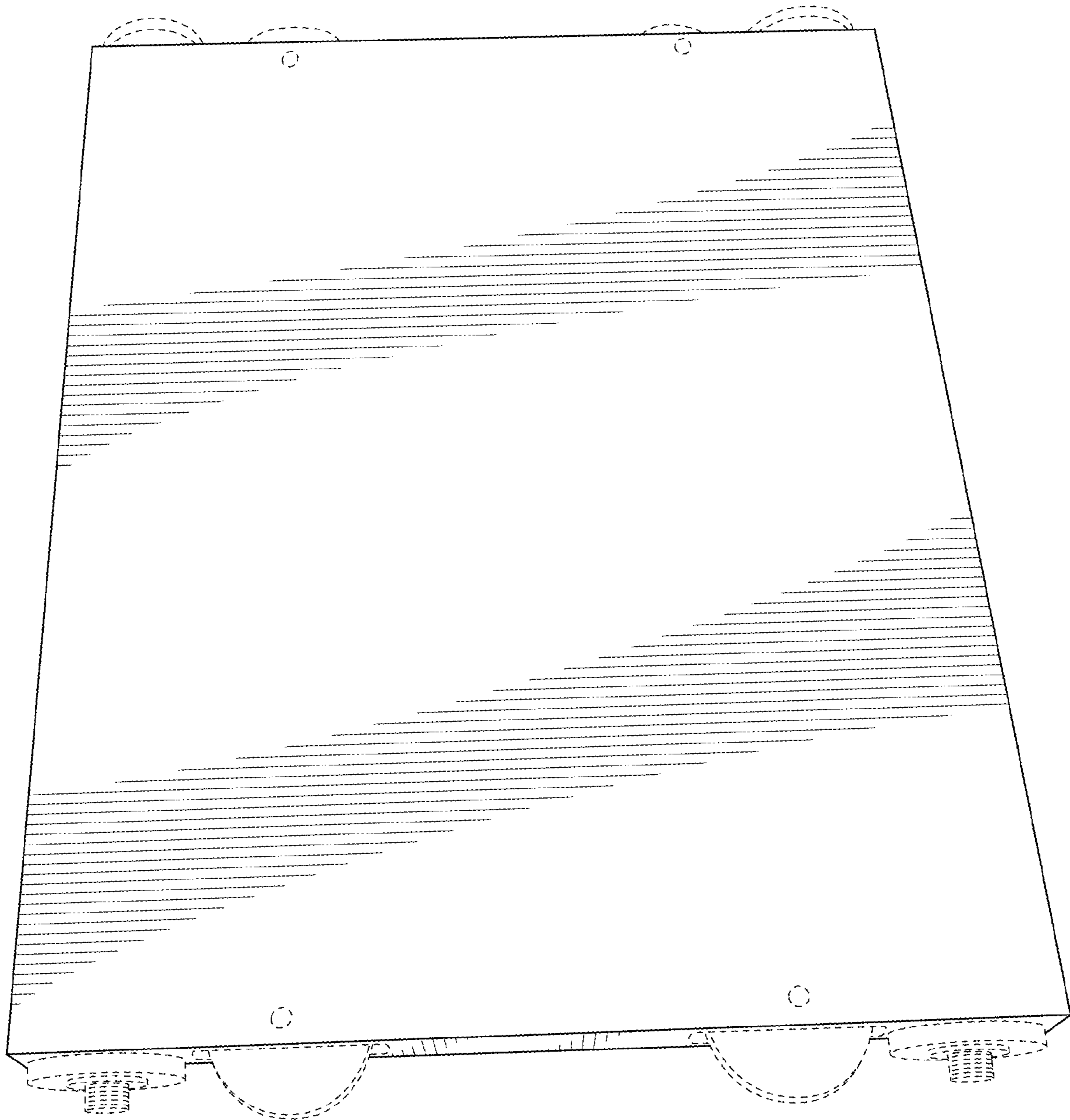


FIG. 9