



US00D934987S

(12) **United States Design Patent**  
**Boulay et al.**

(10) **Patent No.:** **US D934,987 S**  
(45) **Date of Patent:** **\*\* Nov. 2, 2021**

(54) **LID FOR A TANK**

(71) Applicants: **Worthington Cylinders Corporation**, Columbus, OH (US); **Otodata Wireless Network, Inc.**, Montreal (CA)

(72) Inventors: **Andre Boulay**, Ile Bizard (CA); **Adam Joseph Erwin**, Columbus, OH (US); **Michael Gaykowski**, Worthington, OH (US); **Simon Noel**, Quebec (CA); **Jennifer Marie O'Brian**, Plain City, OH (US); **Pascal Turcotte**, Quebec (CA); **Jason M. Gallovich**, Dorval (CA); **Jason Christopher Bryant**, Erie, PA (US); **Brian Jack Lowery**, Union City, PA (US)

(73) Assignees: **WORTHINGTON CYLINDERS CORPORATION**, Columbus, OH (US); **OTODATA WIRELESS NETWORK, INC.**, Montreal (CA)

(\*\*) Term: **15 Years**

(21) Appl. No.: **29/719,707**

(22) Filed: **Jan. 7, 2020**

(51) **LOC (13) Cl.** ..... **23-01**

(52) **U.S. Cl.**  
USPC ..... **D23/206**

(58) **Field of Classification Search**  
USPC ..... D7/362, 602, 612, 615; D9/688, 694;  
D23/205-206; D15/144; D34/11  
(Continued)

(56) **References Cited**

**U.S. PATENT DOCUMENTS**

D256,088 S \* 7/1980 Gedye ..... D34/11  
D260,151 S \* 8/1981 Martinec ..... D32/31  
(Continued)

**FOREIGN PATENT DOCUMENTS**

CN 205553906 U 9/2016  
CN 207991649 U 10/2018  
(Continued)

**OTHER PUBLICATIONS**

Worthington Industries, SMARTLID spec sheet, (published Jan. 2021), Worthington Industries Website, URL:<https://worthingtonindustries.com/getmedia/c4bae261-78de-4959-8645-ec78d2b9c37d/35956\_SmartLid\_Sell\_Sheet\_012221\_V2> (Year: 2021).\*

(Continued)

*Primary Examiner* — Calvin E Vansant  
*Assistant Examiner* — Mark T. Philipps  
(74) *Attorney, Agent, or Firm* — Tucker Ellis LLP

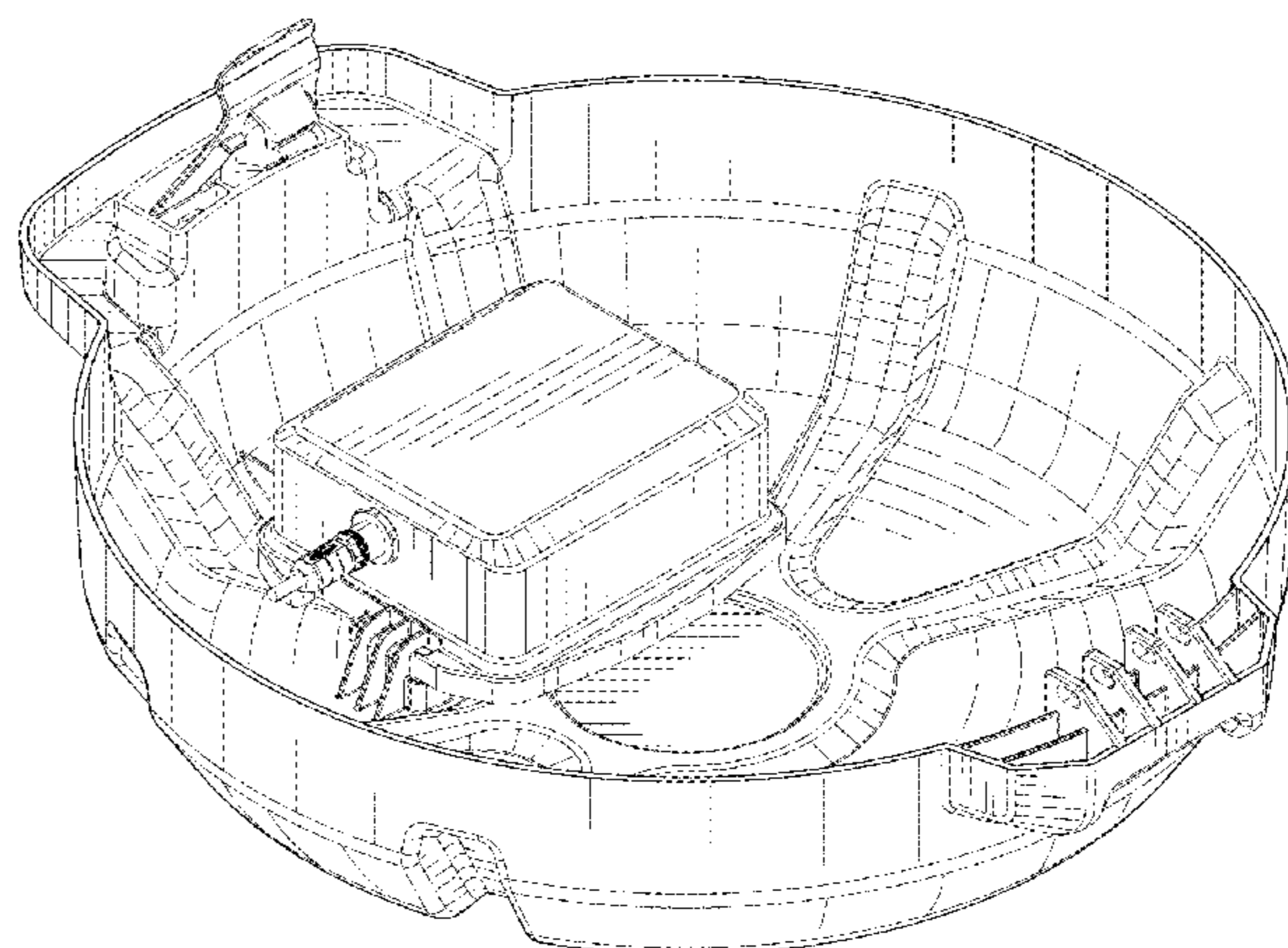
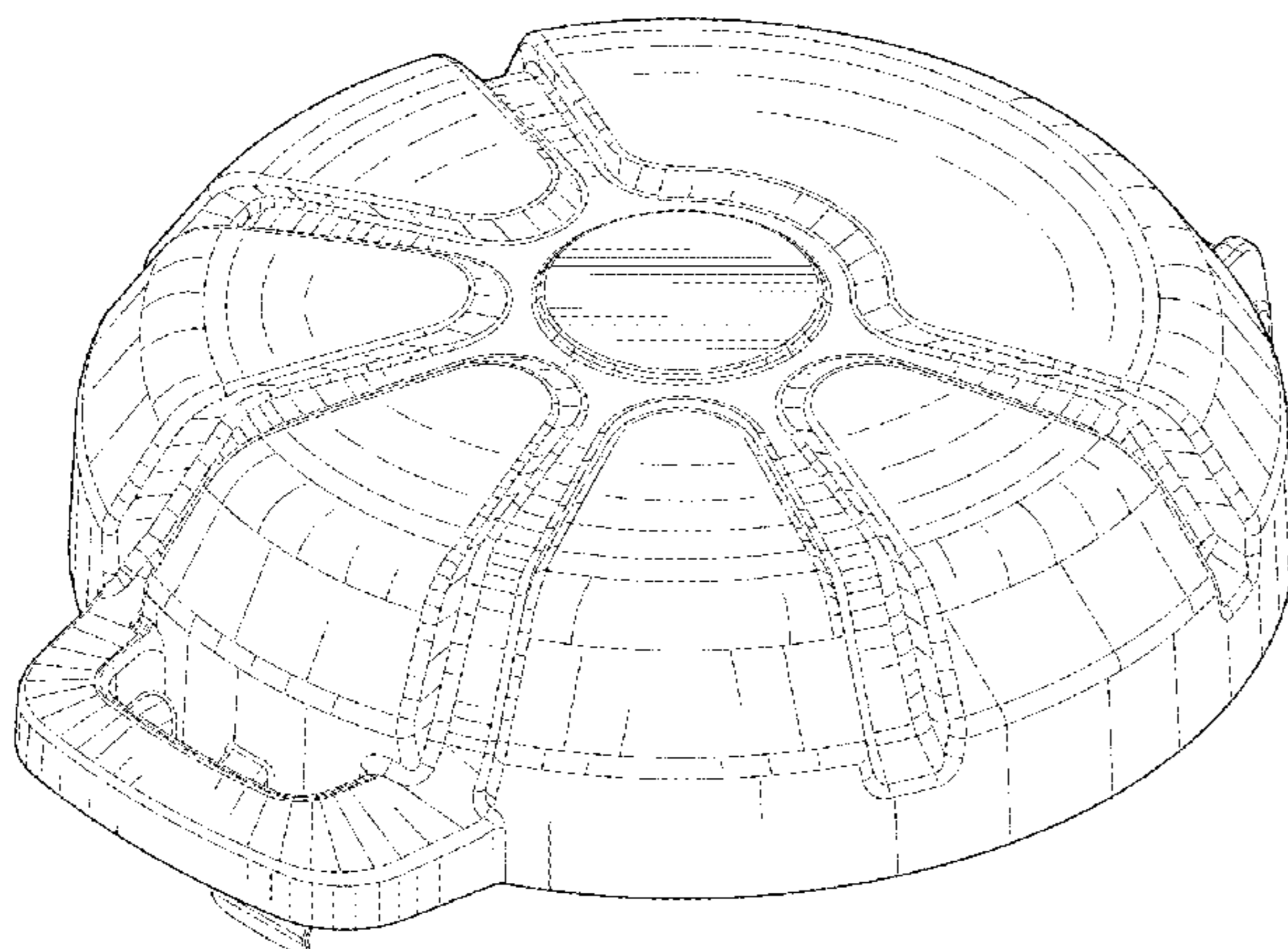
(57) **CLAIM**

The ornamental design for a lid for a tank, as shown and described.

**DESCRIPTION**

FIG. 1 is a top perspective view of a lid for a tank showing our new design;  
FIG. 2 is a front view of the lid for a tank illustrated in FIG. 1;  
FIG. 3 is a left side view of the lid for a tank illustrated in FIG. 1;  
FIG. 4 is a right side view of the lid for a tank illustrated in FIG. 1;  
FIG. 5 is a rear view of the lid for a tank illustrated in FIG. 1;  
FIG. 6 is a top view of the lid for a tank illustrated in FIG. 1;  
FIG. 7 is a bottom view of the lid for a tank illustrated in FIG. 1; and,  
FIG. 8 is a bottom perspective view of the lid for a tank illustrated in FIG. 1.

(Continued)



The broken lines depict portions of the lid for a tank that form no part of the claimed design.

**1 Claim, 8 Drawing Sheets**

(58) **Field of Classification Search**

CPC ..... B65D 1/12; B65D 77/2024; B65D 43/02;  
B65D 43/0212; F16J 13/00; F17C 1/00;  
F17C 13/028; F17C 13/06

See application file for complete search history.

(56) **References Cited**

U.S. PATENT DOCUMENTS

4,375,862 A \* 3/1983 Kurinsky ..... B65D 43/0212  
220/293  
5,085,340 A \* 2/1992 Doxey ..... B65D 43/0231  
220/298  
D337,774 S \* 7/1993 Schillinger ..... D15/150  
D351,706 S \* 10/1994 Breen ..... D34/11  
D381,162 S \* 7/1997 Berend ..... D34/11  
5,894,953 A \* 4/1999 Ramirez ..... B65D 51/1627  
220/785  
D418,655 S \* 1/2000 Conti ..... D34/11  
6,662,649 B1 12/2003 Knight et al.  
6,891,513 B2 5/2005 Kienzle et al.  
D609,774 S \* 2/2010 Ryman ..... D23/206  
D617,459 S \* 6/2010 Bogue ..... D24/155  
D649,099 S \* 11/2011 Nakamura ..... D12/197  
D665,491 S \* 8/2012 Goel ..... D23/386  
D699,106 S \* 2/2014 Glaser ..... D9/456  
8,720,738 B1 \* 5/2014 Ryman ..... F17C 13/06  
220/724  
D753,431 S \* 4/2016 Garman ..... D7/352  
D755,002 S \* 5/2016 Garman ..... D7/352  
D756,280 S \* 5/2016 Davito ..... D12/197

D807,108 S \* 1/2018 Borovicka ..... D7/362  
2008/0083061 A1 \* 4/2008 Dubiel ..... A47K 11/06  
4/484  
2008/0169289 A1 \* 7/2008 Dawn ..... B65F 1/1615  
220/315  
2010/0037673 A1 2/2010 Wicht et al.  
2010/0070208 A1 3/2010 Sai  
2010/0070209 A1 3/2010 Sai  
2010/0241369 A1 9/2010 Wicht et al.  
2011/0024418 A1 \* 2/2011 Batson ..... B65D 90/585  
220/211  
2011/0163910 A1 7/2011 Sai  
2011/0278316 A1 \* 11/2011 Herzer ..... F17C 13/06  
220/727  
2012/0232777 A1 9/2012 Elkaim et al.  
2013/0261996 A1 10/2013 Perten  
2013/0269430 A1 10/2013 Mauduit et al.  
2014/0217096 A1 \* 8/2014 Simpson ..... B65D 43/0212  
220/212.5  
2014/0246432 A1 \* 9/2014 Yang ..... B65D 43/262  
220/262  
2016/0150899 A1 \* 6/2016 Onza ..... B65D 43/0212  
220/253  
2016/0200601 A1 7/2016 Clark  
2018/0304742 A1 10/2018 Maruthapillai  
2020/0010269 A1 \* 1/2020 Copp ..... B65F 1/1607

FOREIGN PATENT DOCUMENTS

CN 209684493 U 11/2019  
WO 2009121169 A1 10/2009  
WO 2014145337 A2 9/2014

OTHER PUBLICATIONS

International Search Report and Written Opinion, dated Jun. 23, 2020 in relation to International Application No. PCT/US2020/012541.

\* cited by examiner



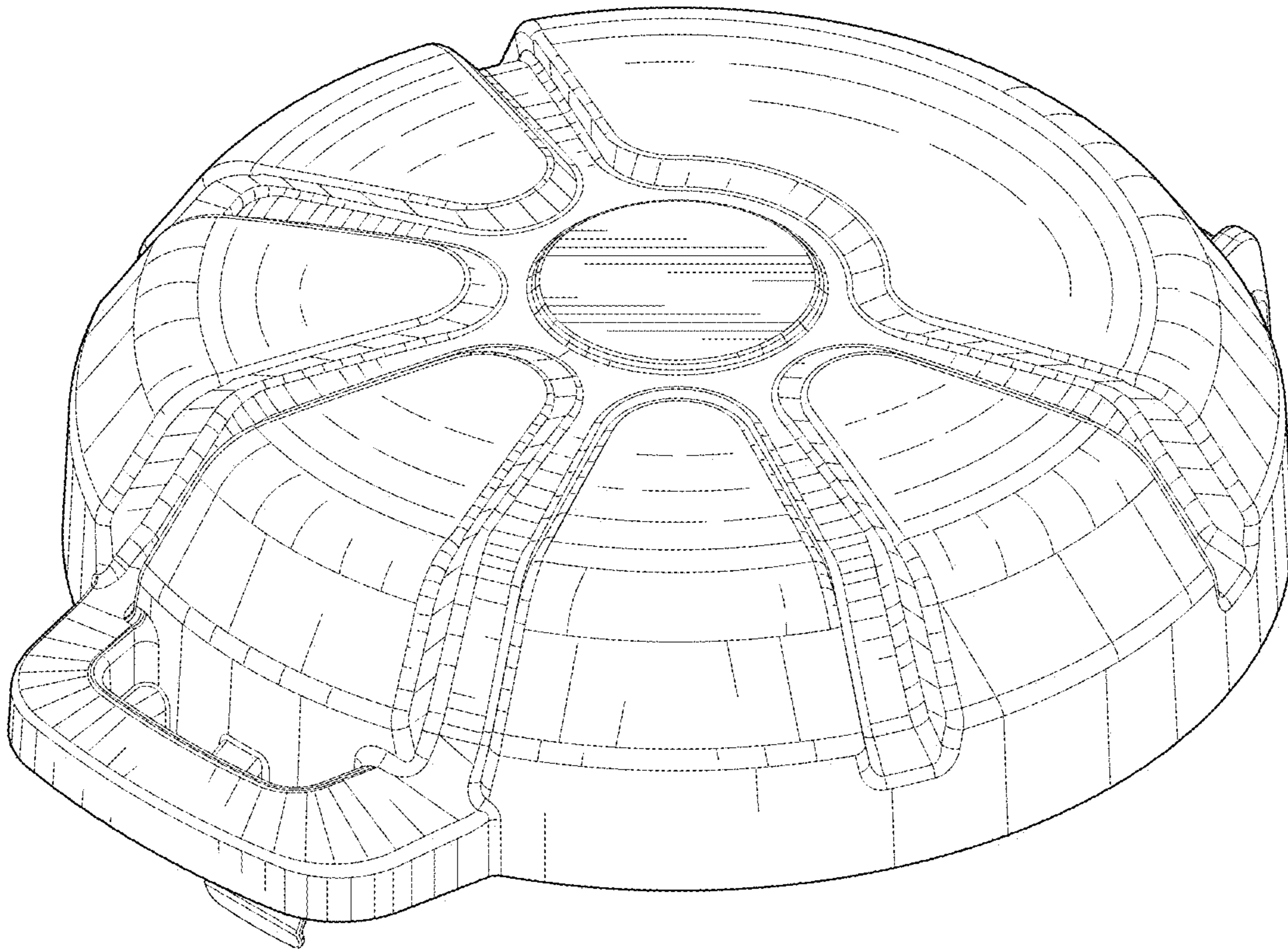


FIG.1

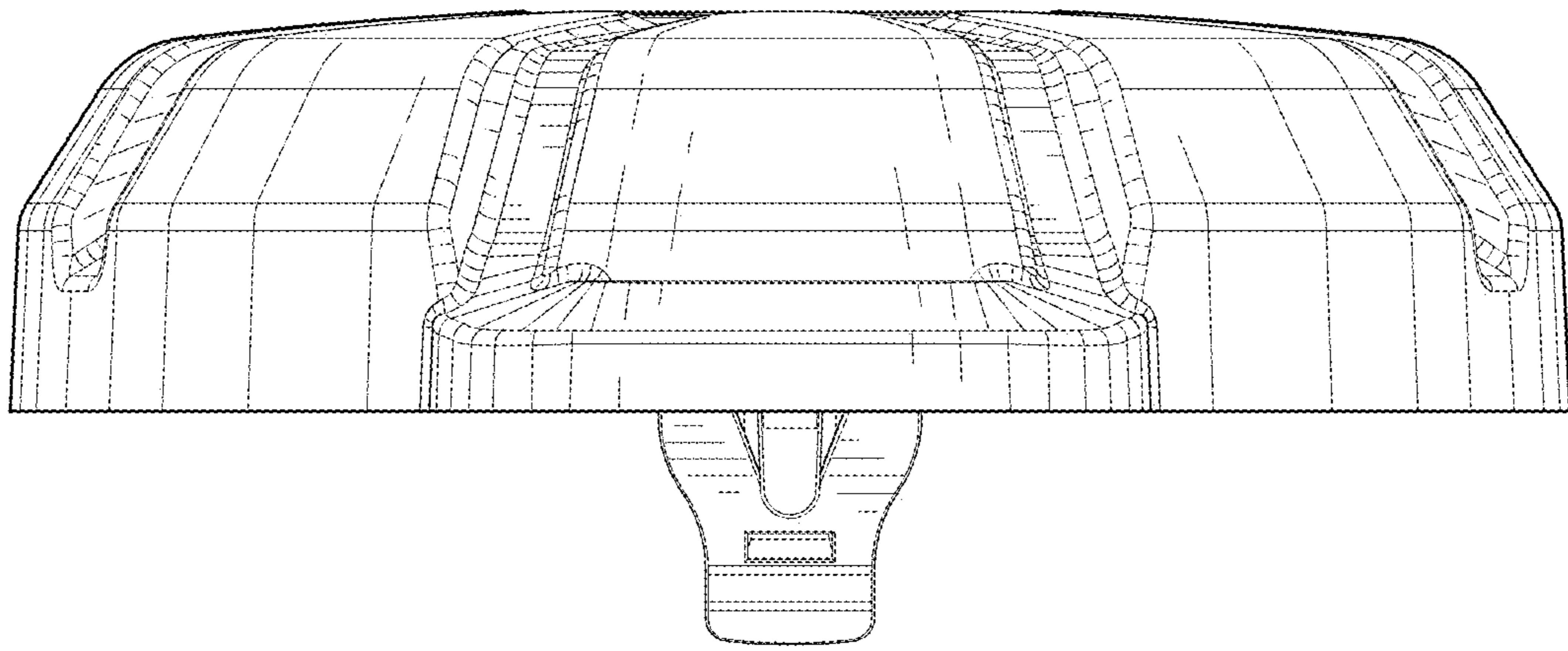


FIG.2

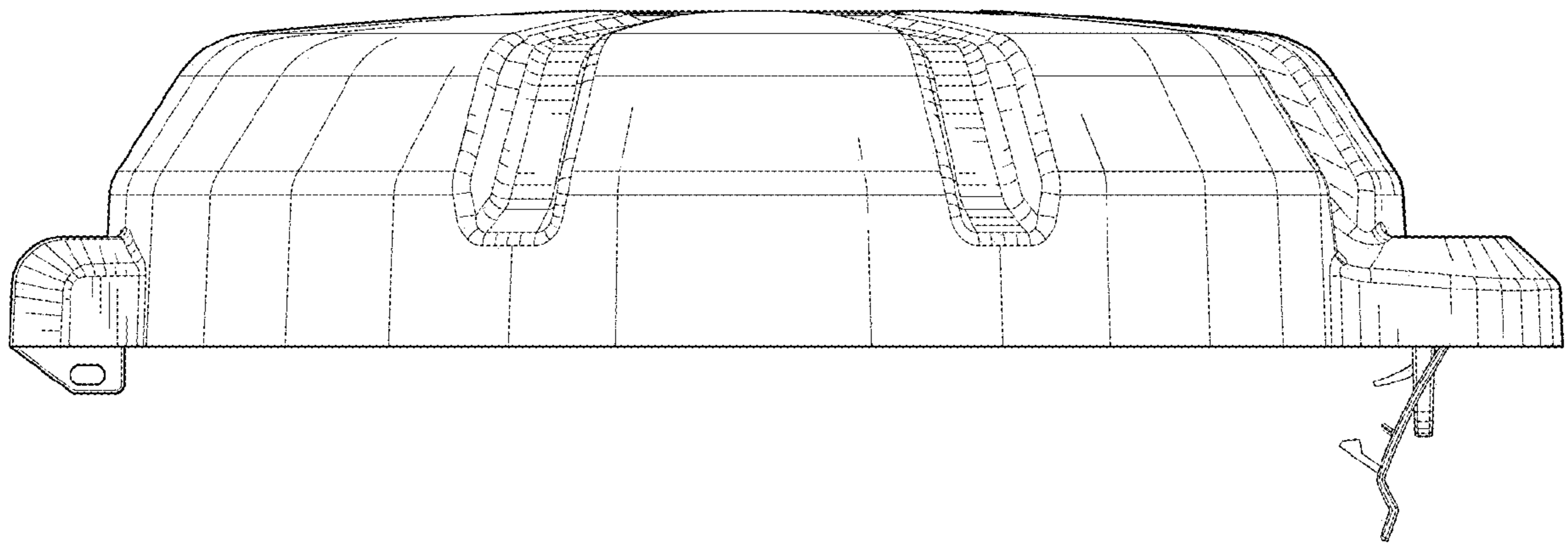


FIG.3

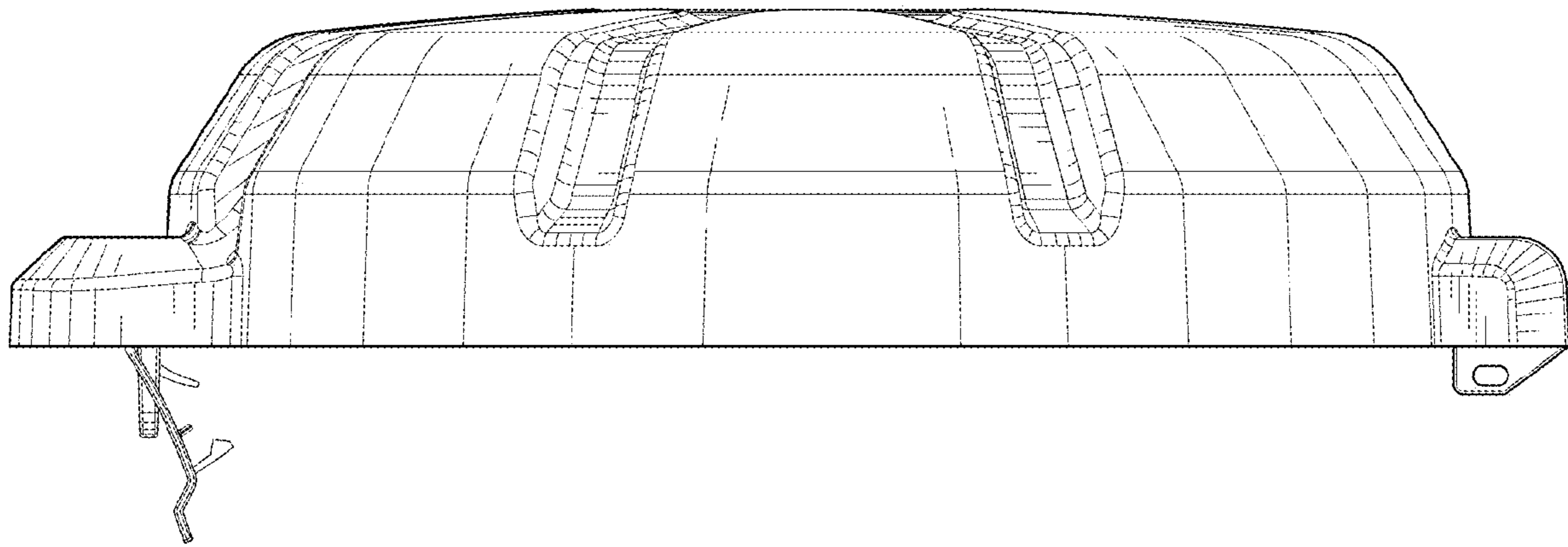


FIG.4

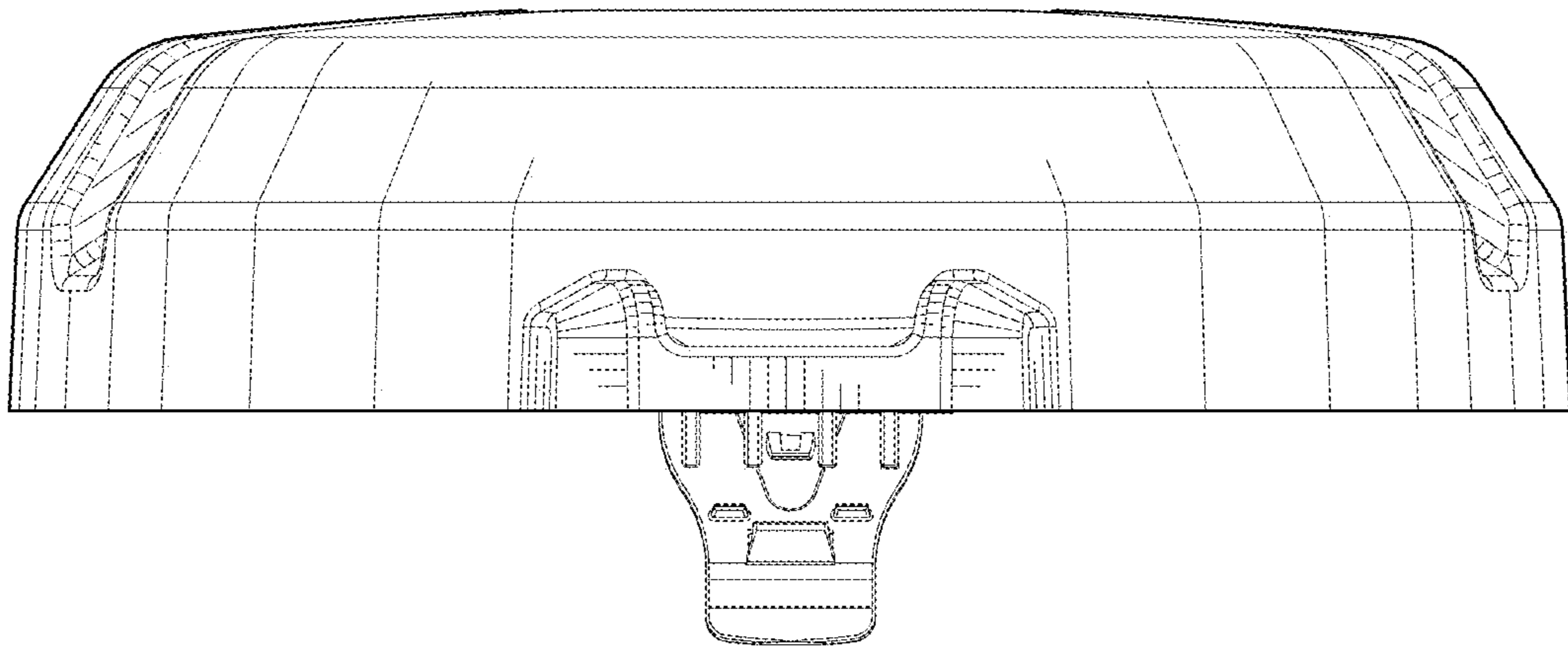


FIG.5



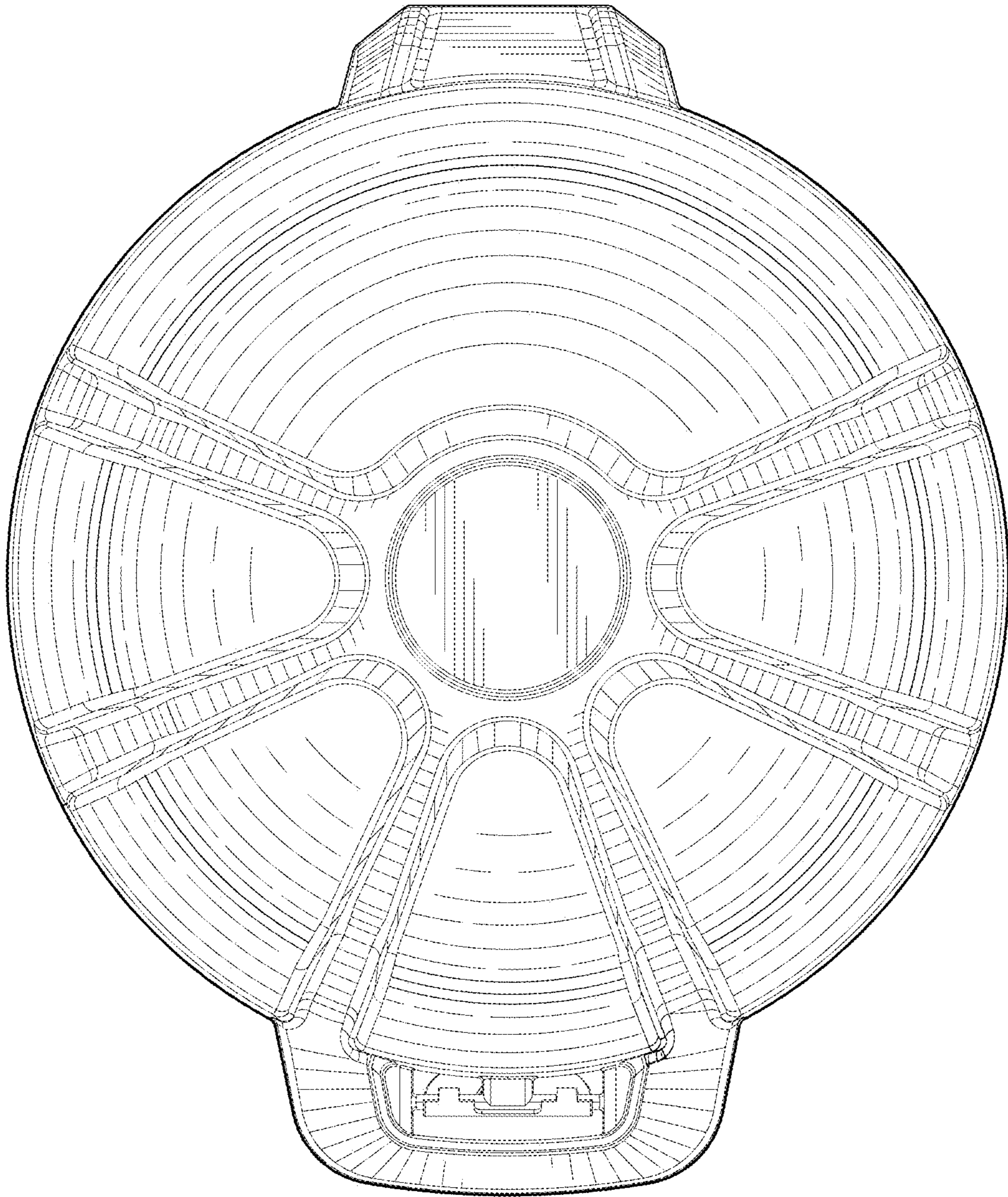


FIG.6



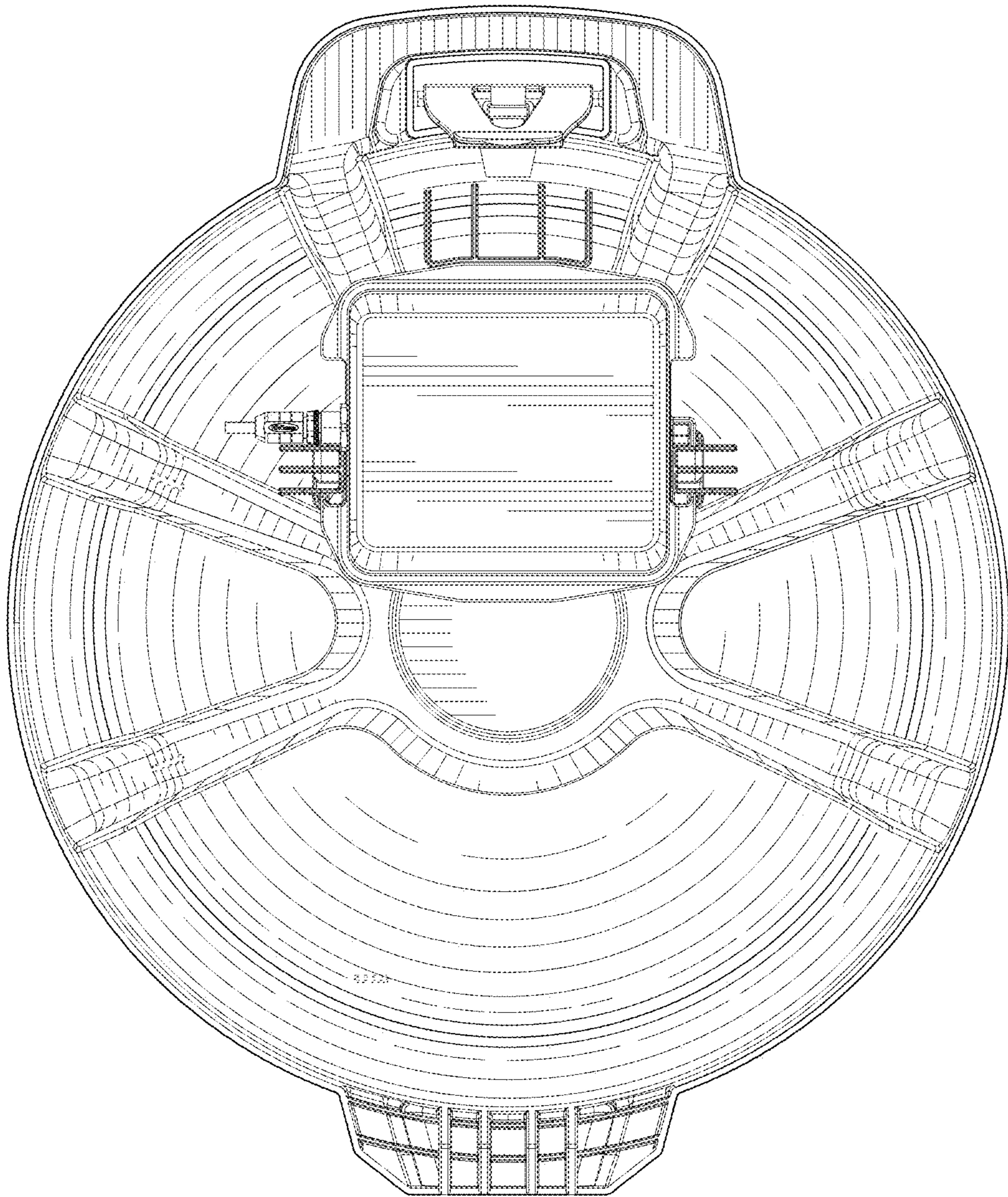


FIG.7

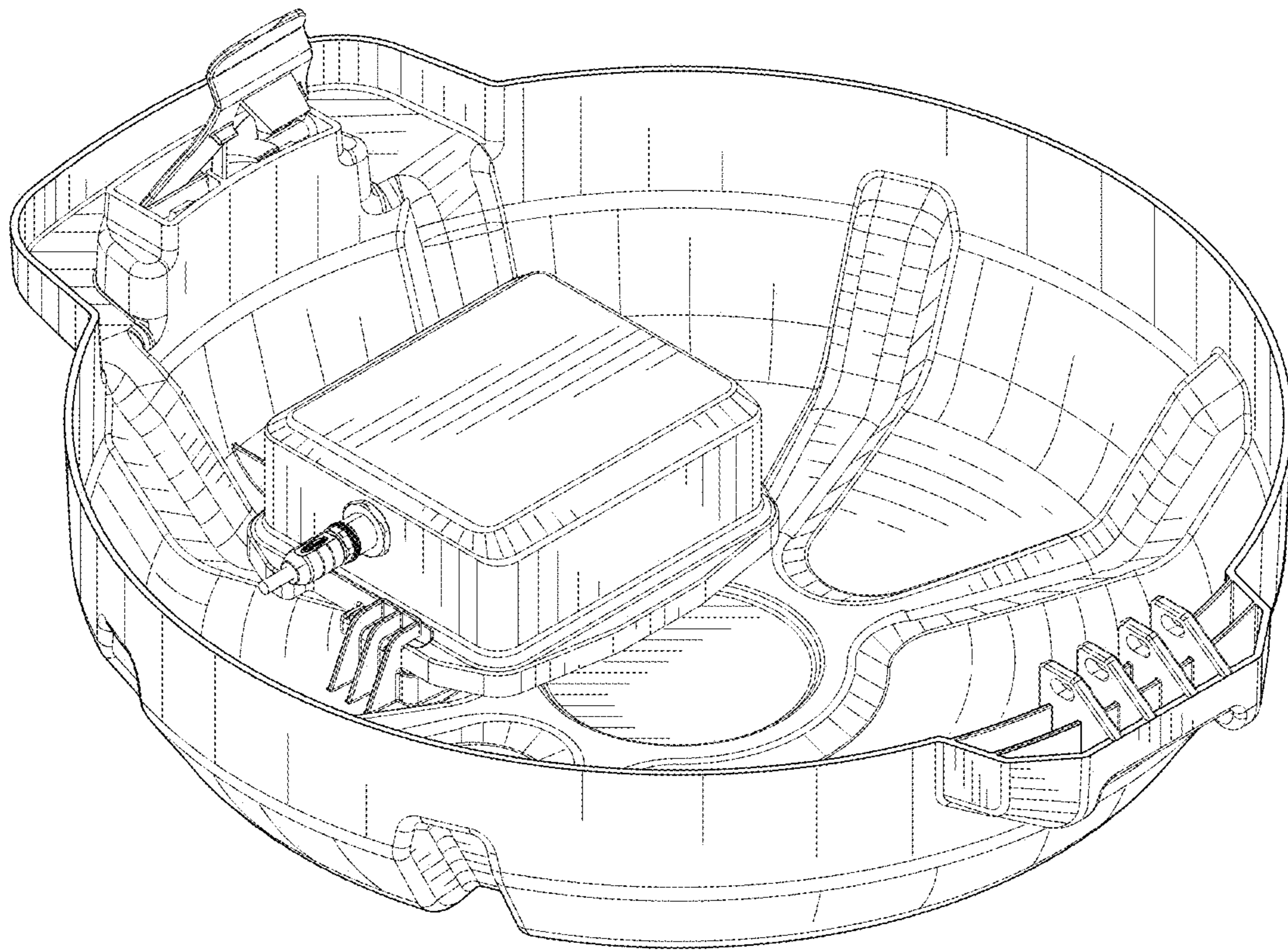


FIG.8