



US00D934982S

(12) **United States Design Patent**  
**Thornberry**

(10) **Patent No.:** **US D934,982 S**

(45) **Date of Patent:** **\*\* Nov. 2, 2021**

(54) **TAMPER RESISTANT SPORE TRAP**

(71) Applicant: **Ultimo Global Holdings, LLC,**  
Wilmington, DE (US)

(72) Inventor: **Phillip Nathan Thornberry,** Carmel,  
IN (US)

(73) Assignee: **Ultimo Global Holdings LLC,**  
Wilmington, DE (US)

(\*\*) Term: **15 Years**

(21) Appl. No.: **29/725,044**

(22) Filed: **Feb. 21, 2020**

(51) **LOC (13) Cl.** ..... **22-06**

(52) **U.S. Cl.**  
USPC ..... **D22/122**

(58) **Field of Classification Search**  
USPC ..... D22/119, 122; D19/76; D3/294;  
D10/48; D28/73, 76  
CPC ..... G01N 1/00; G01N 1/2226; G01N 1/028  
See application file for complete search history.

(56) **References Cited**

**U.S. PATENT DOCUMENTS**

D210,057 S \* 1/1968 Pfrommer ..... D28/76  
D484,644 S \* 12/2003 Noh ..... D28/76

D485,017 S \* 1/2004 Noh ..... D28/76  
D555,835 S \* 11/2007 Song ..... D28/76  
D681,791 S \* 5/2013 Jorgensen ..... D23/366  
D694,849 S \* 12/2013 Ots ..... D22/122  
D891,571 S \* 7/2020 Dollansky ..... D22/122  
D891,572 S \* 7/2020 Dollansky ..... D22/122

\* cited by examiner

*Primary Examiner* — Catherine R Oliver-Garcia  
(74) *Attorney, Agent, or Firm* — Woodard Emhardt Henry  
Reeves & Wagner LLP

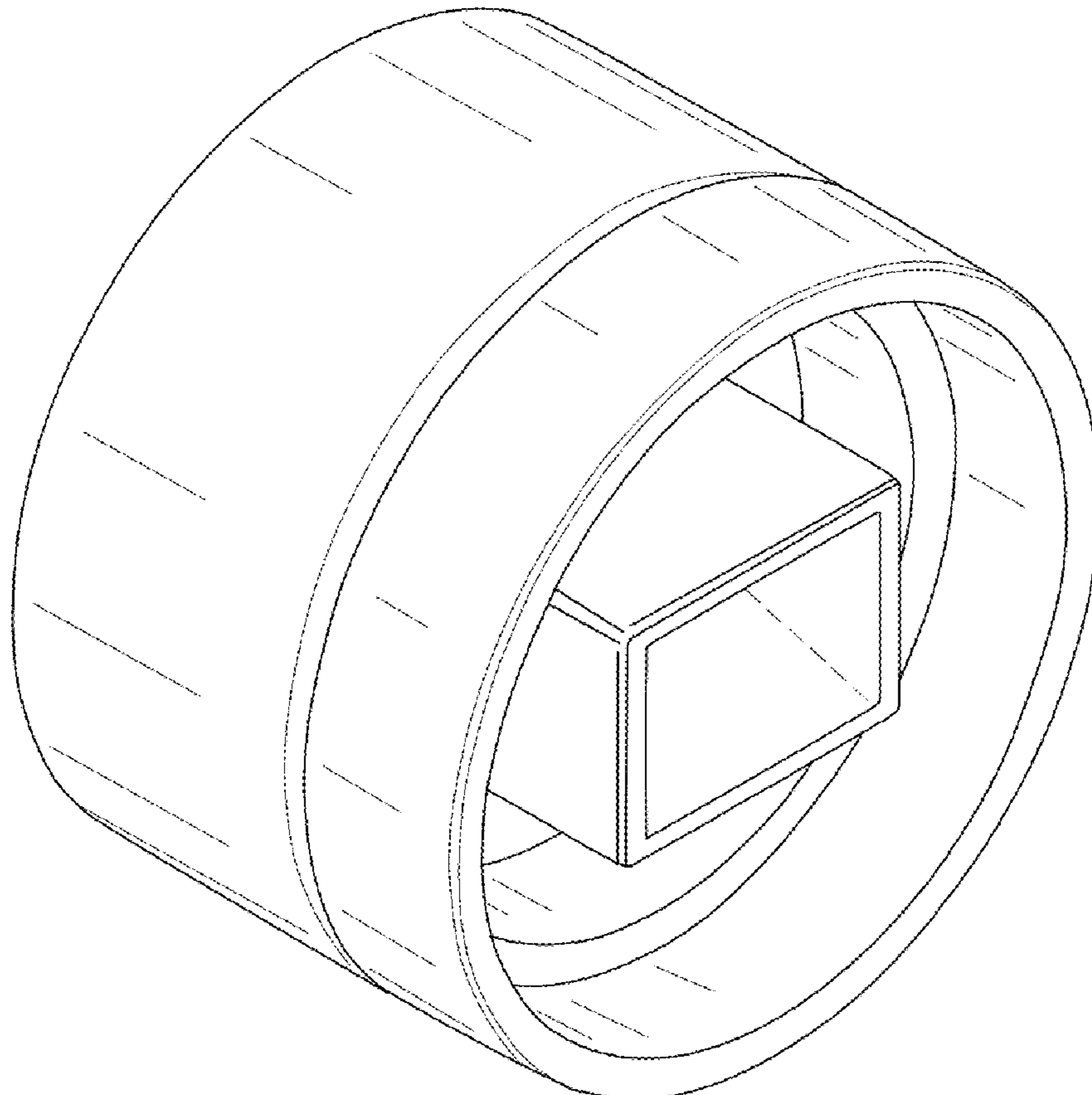
(57) **CLAIM**

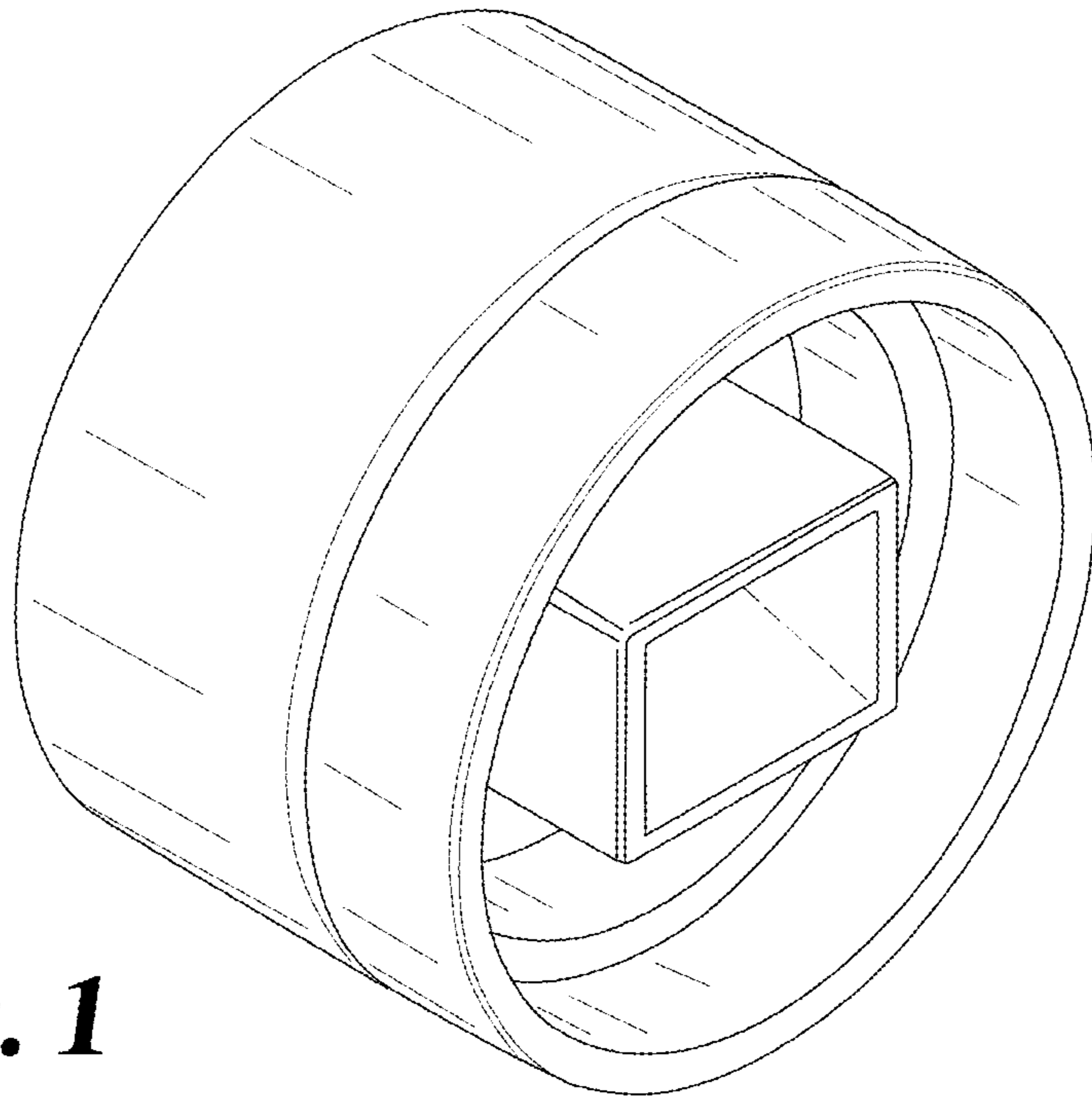
The ornamental design for a tamper resistant spore trap, as shown and described.

**DESCRIPTION**

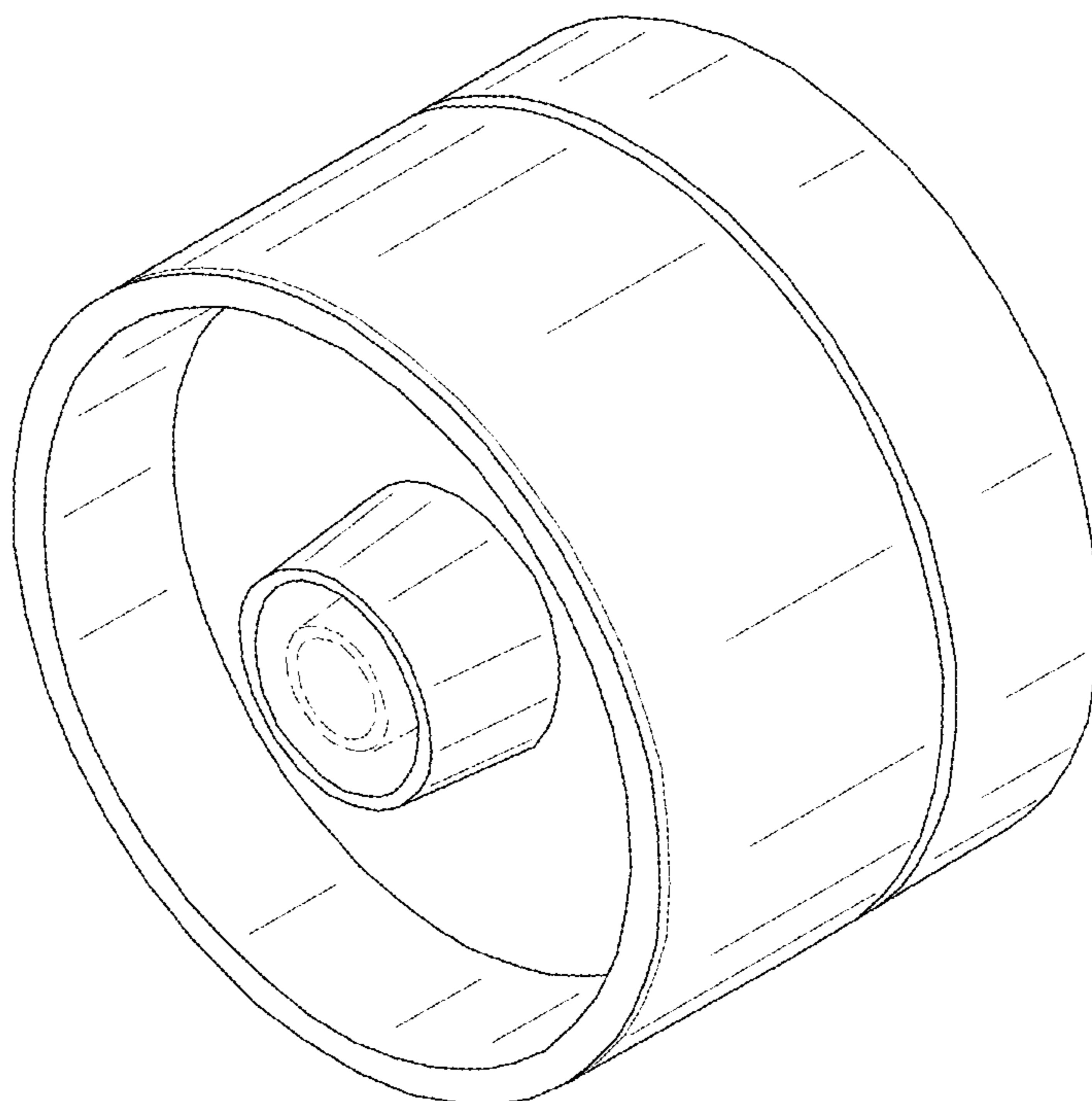
FIG. 1 is a front, right, perspective view showing my new design;  
FIG. 2 is a rear, right perspective view thereof;  
FIG. 3 is a front side view thereof;  
FIG. 4 is a rear side view thereof;  
FIG. 5 is a side view thereof;  
FIG. 6 is a front, left, perspective view thereof; and,  
FIG. 7 is a rear, left, perspective view thereof.  
The broken lines illustrate portions of the tamper resistant spore trap and form no part of the claimed design.

**1 Claim, 4 Drawing Sheets**

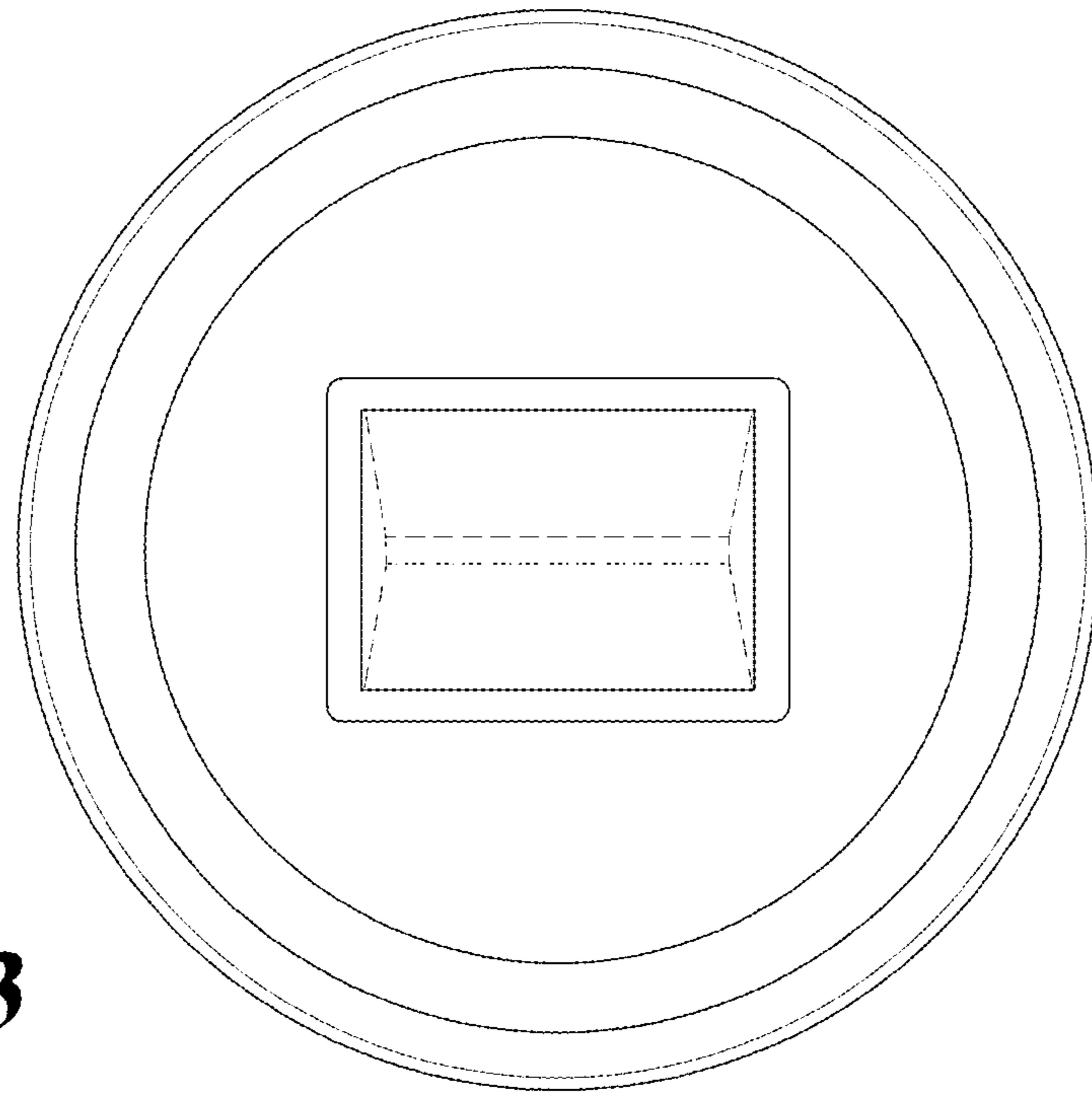




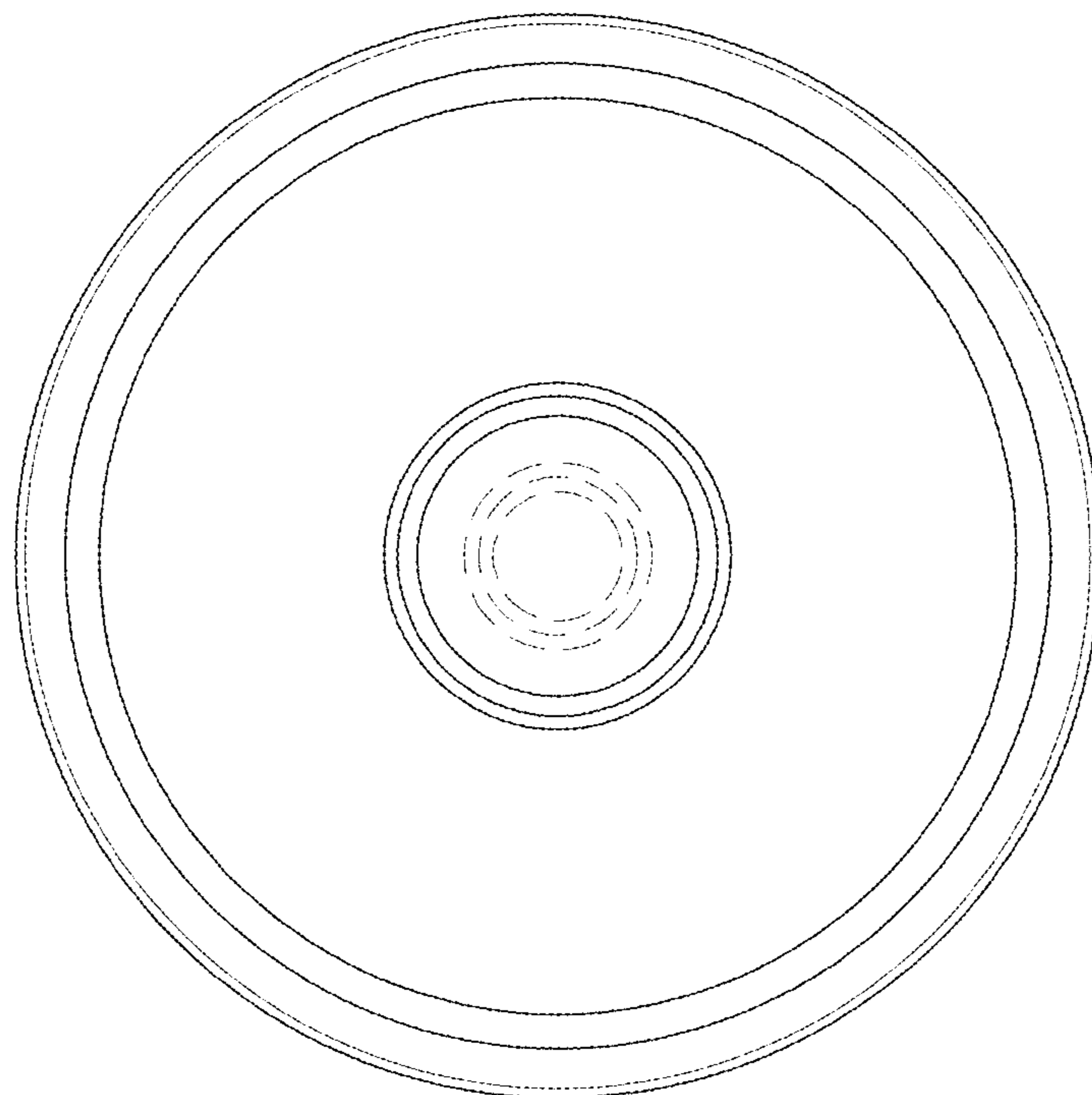
**Fig. 1**



**Fig. 2**

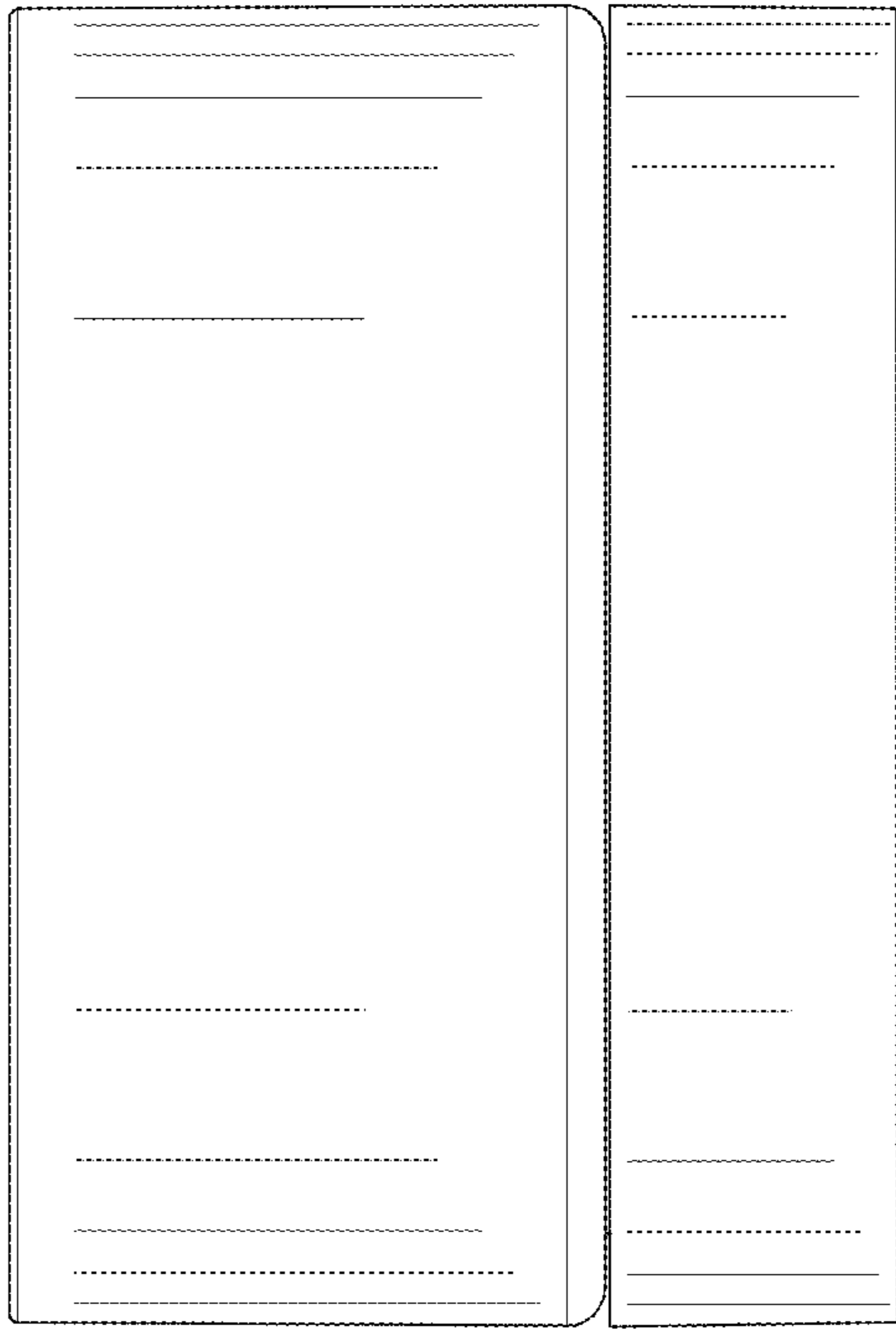


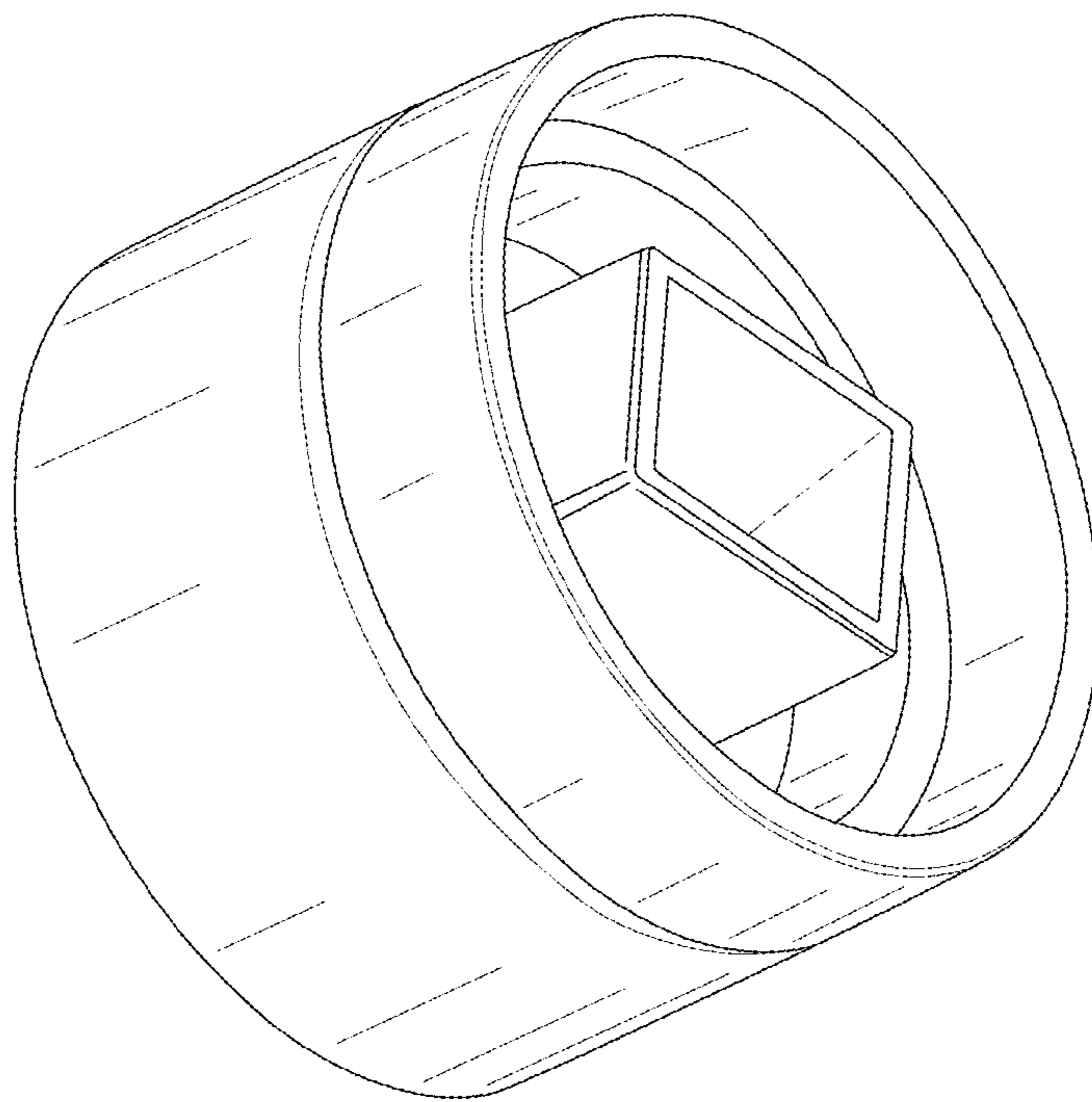
**Fig. 3**



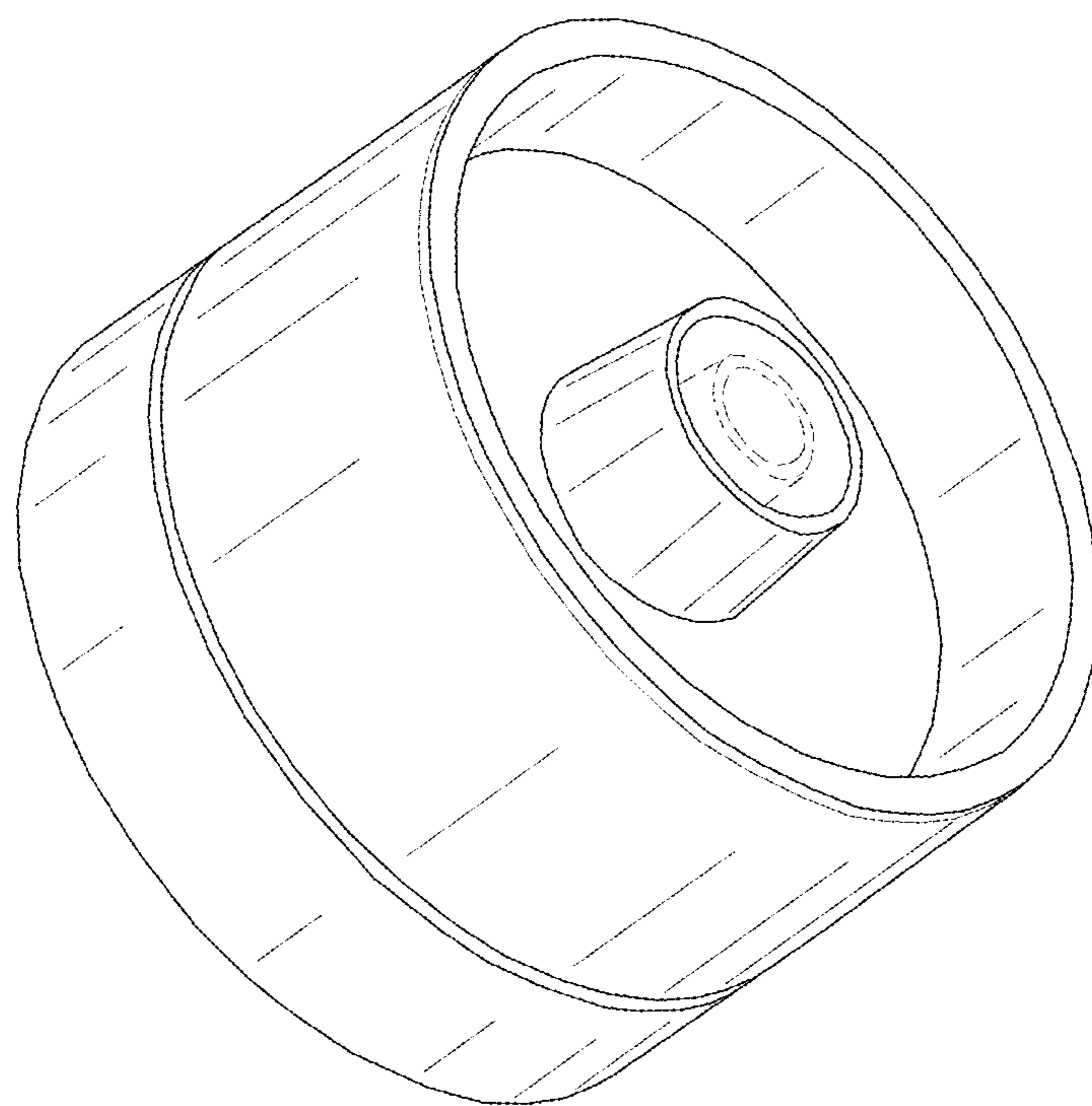
**Fig. 4**

***Fig. 5***





**Fig. 6**



**Fig. 7**