



US00D934980S

(12) **United States Design Patent** (10) **Patent No.:** **US D934,980 S**  
**Smith et al.** (45) **Date of Patent:** **\*\* Nov. 2, 2021**

(54) **INSECT TRAP BASE**  
(71) Applicant: **The Procter & Gamble Company**,  
Cincinnati, OH (US)  
(72) Inventors: **Christopher Lawrence Smith**, Liberty  
Township, OH (US); **Mike Shuo Wang**,  
Cincinnati, OH (US); **Joaquin Antonio  
Crespo**, Mason, OH (US); **Andrea  
Pedrotti**, Trento (IT); **Walter Sordo**,  
Trento (IT); **Danilo Rossi**, Trento (IT)

4,709,502 A 12/1987 Bierman  
4,709,503 A 12/1987 McQueen  
4,815,231 A 3/1989 McQueen  
D323,014 S 1/1992 Demarest  
D780,284 S 2/2017 Lieberwirth et al.  
D780,285 S 2/2017 Lieberwirth et al.  
D834,136 S 11/2018 Smith  
2016/0000060 A1 1/2016 Schaefer et al.  
2016/0262367 A1 9/2016 Sandford et al.  
2017/0035039 A1 2/2017 Sandford et al.  
2017/0303523 A1 10/2017 Lazarchik et al.

**FOREIGN PATENT DOCUMENTS**

(73) Assignee: **The Procter & Gamble Company**,  
Cincinnati, OH (US)

WO WO 2016/115107 A1 7/2016  
WO WO 2018/013081 1/2018

(\*\*) Term: **15 Years**

**OTHER PUBLICATIONS**

(21) Appl. No.: **29/665,969**

All Office Actions; U.S. Appl. No. 29/595,639.

(22) Filed: **Oct. 9, 2018**

*Primary Examiner* — Catherine R Oliver-Garcia  
(74) *Attorney, Agent, or Firm* — Melissa Krasovec

**Related U.S. Application Data**

(62) Division of application No. 29/595,639, filed on Mar.  
1, 2017, now Pat. No. Des. 834,136.

(51) **LOC (13) Cl.** ..... **22-06**

(52) **U.S. Cl.**  
USPC ..... **D22/122**

(58) **Field of Classification Search**  
USPC ..... D22/119–124; 43/107, 111–113, 121,  
43/124, 131, 132.1; D23/366–369  
CPC ..... A01M 1/02; A01M 1/04; A01M 1/14  
See application file for complete search history.

(57) **CLAIM**

The ornamental design for an insect trap base, as shown and  
described.

**DESCRIPTION**

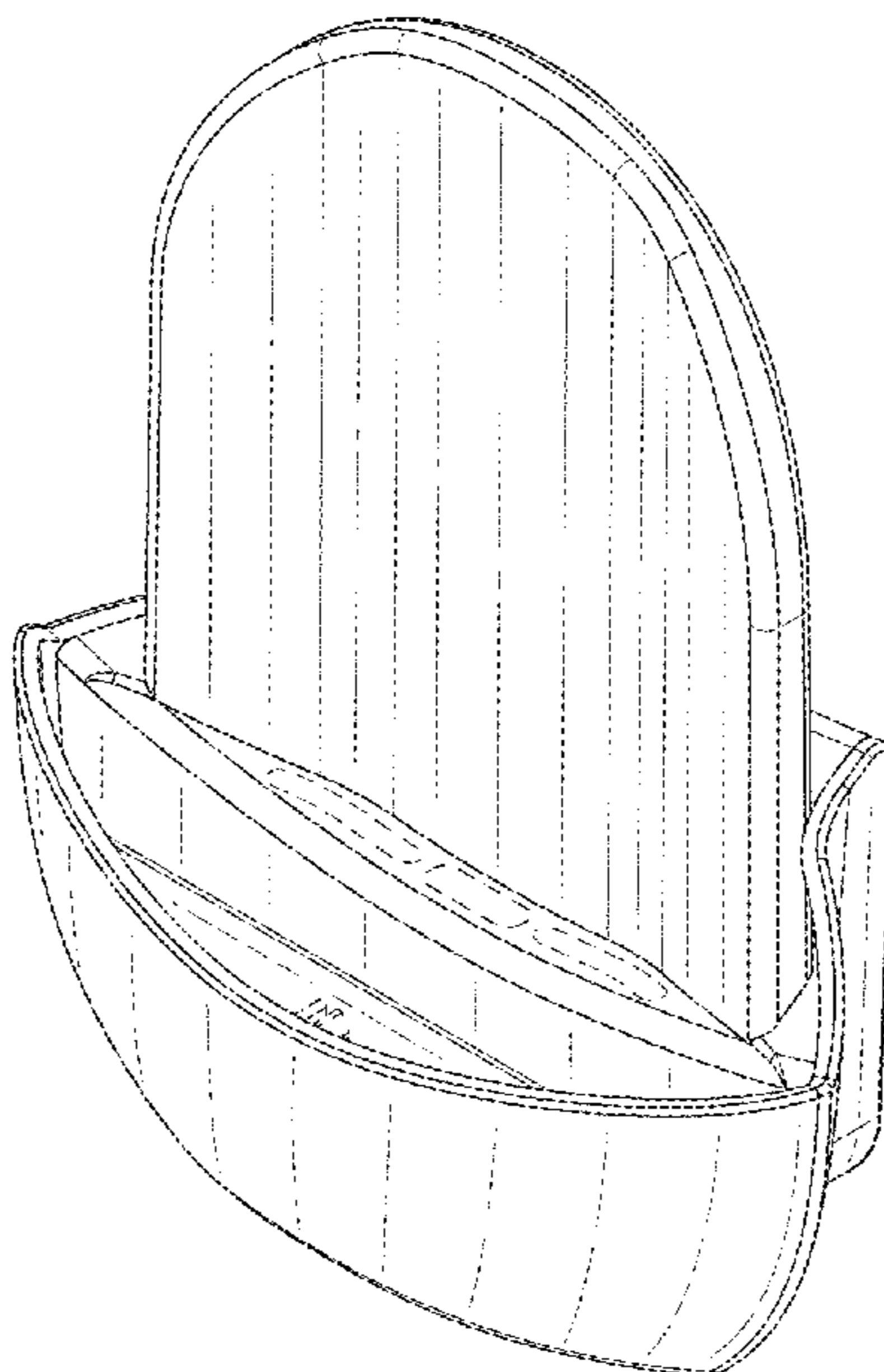
FIG. 1 is a perspective view of an insect trap base embody-  
ing our new design;  
FIG. 2 is a front view thereof;  
FIG. 3 is a right side view thereof;  
FIG. 4 is a rear view thereof;  
FIG. 5 is a left side view thereof;  
FIG. 6 is a top view thereof; and,  
FIG. 7 is a bottom view thereof.  
The broken lines shown in the drawings depict environmen-  
tal structure that forms no part of the claimed design.

(56) **References Cited**

**U.S. PATENT DOCUMENTS**

2,307,163 A 1/1943 Shea  
3,729,858 A 5/1973 Bradshaw  
4,212,129 A 7/1980 Shumate  
D282,390 S 1/1986 Ford

**1 Claim, 4 Drawing Sheets**



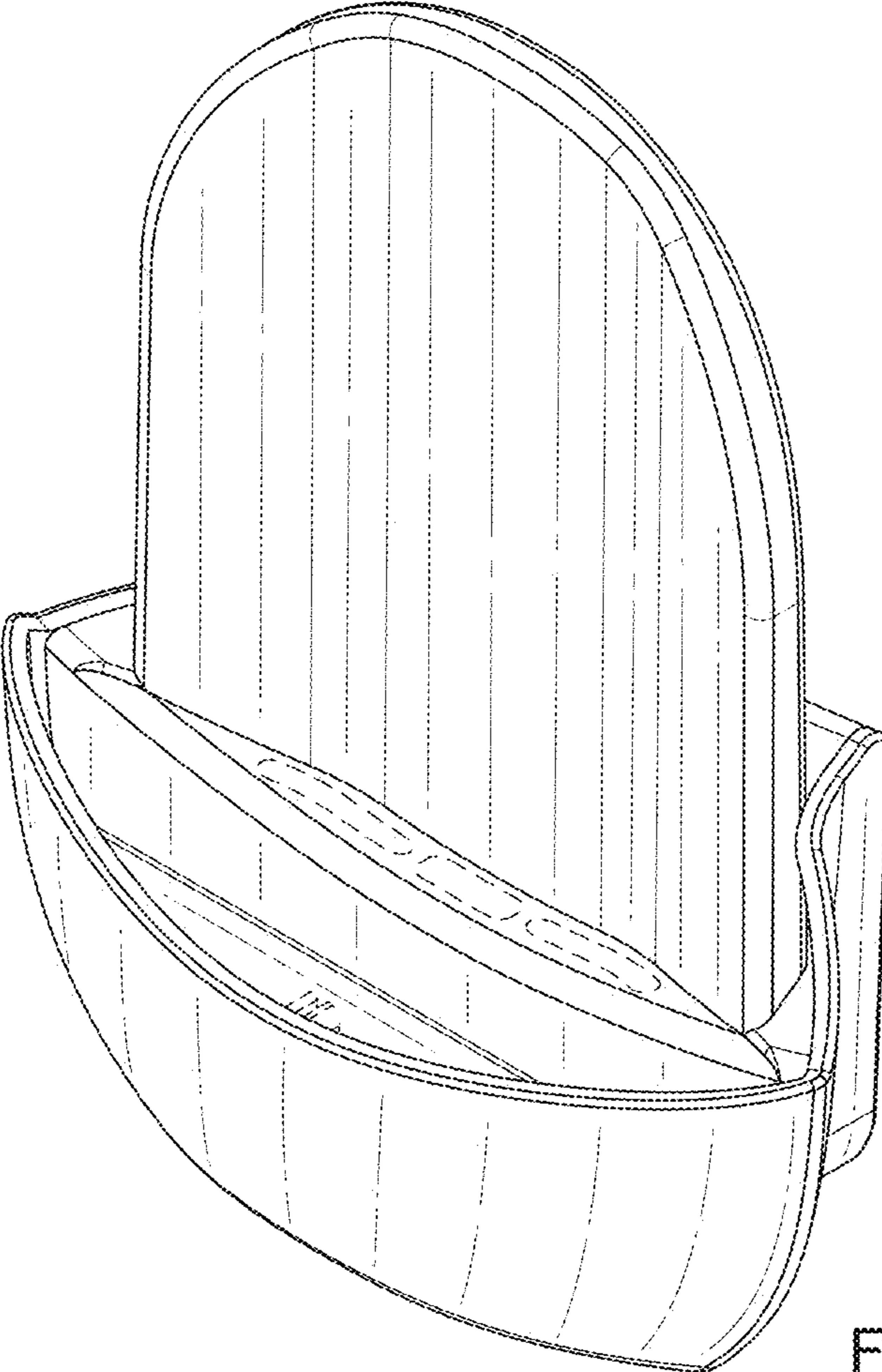


FIG. 1

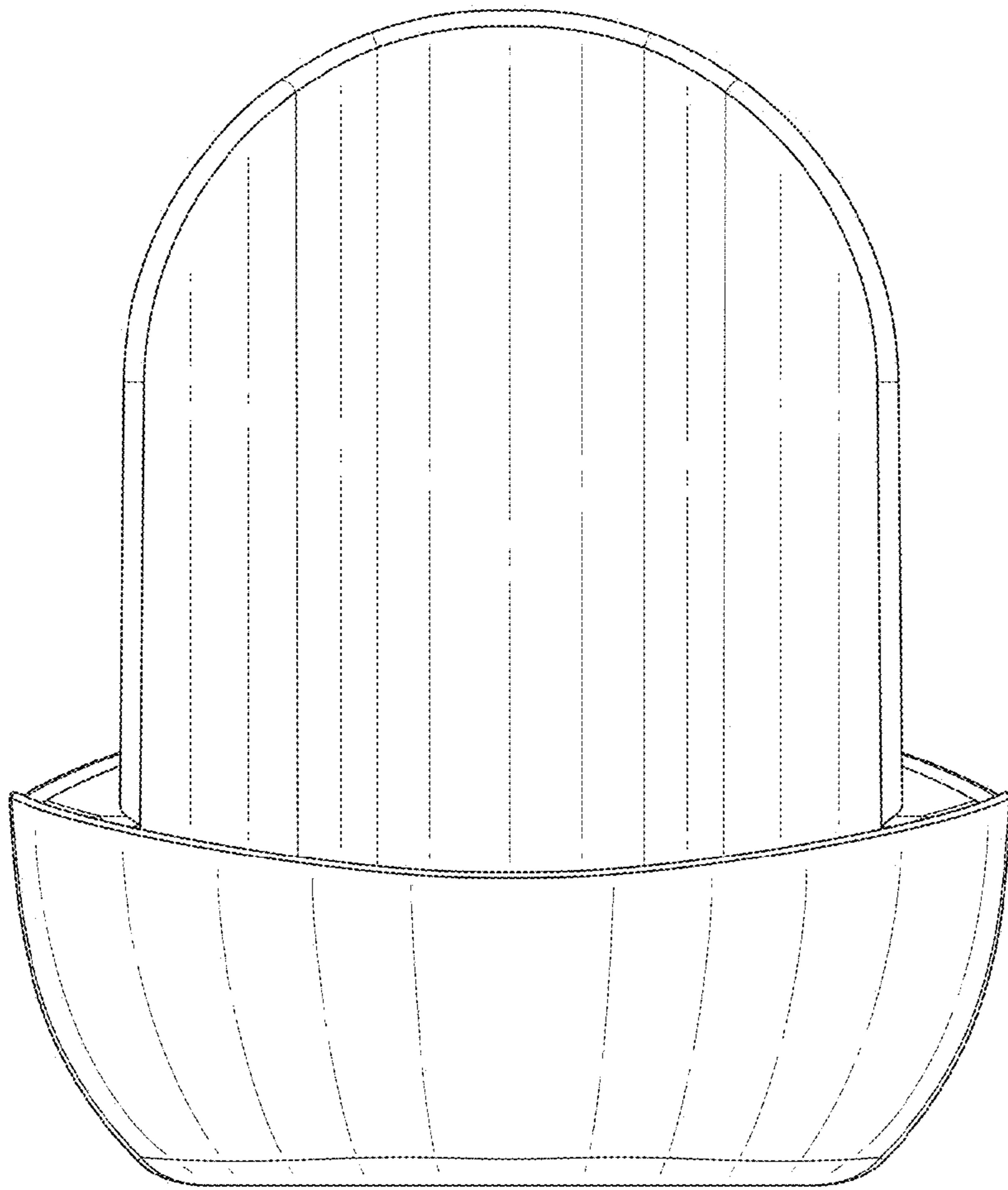


FIG. 2

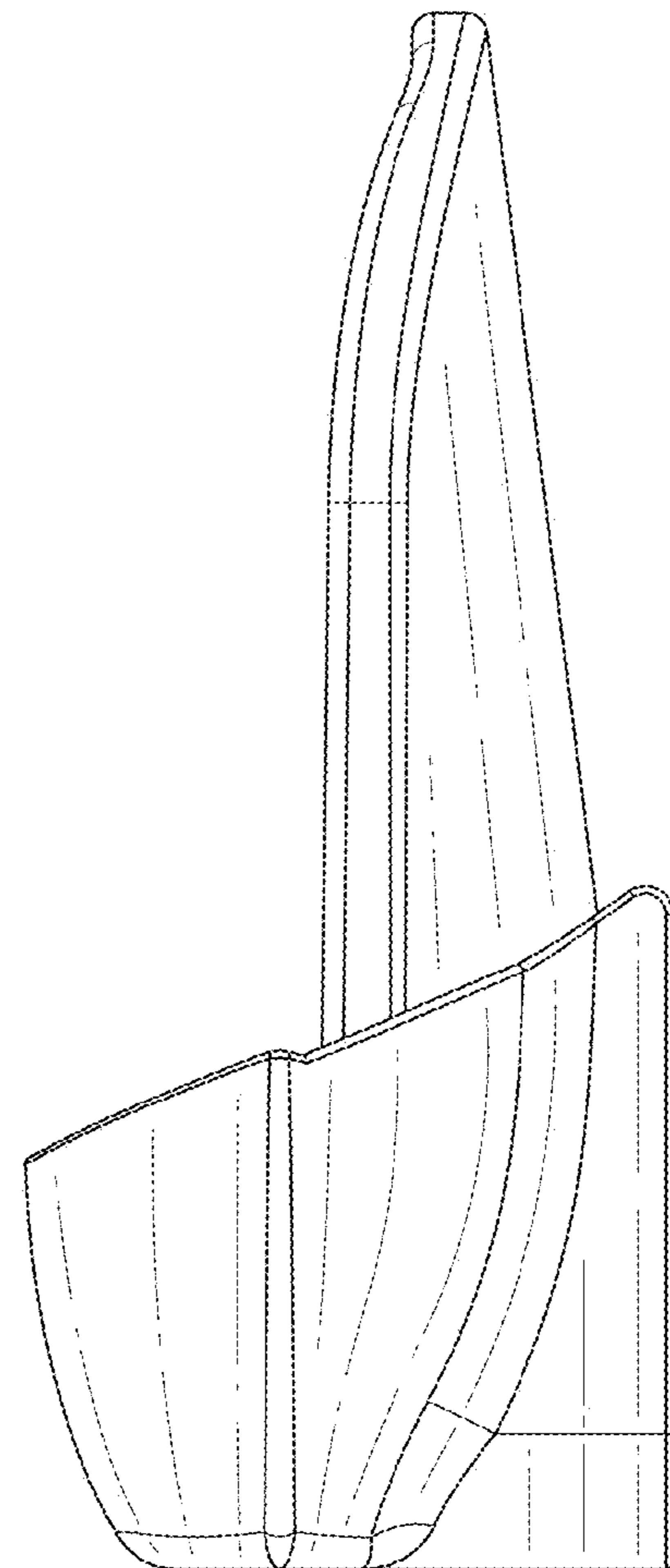


FIG. 3

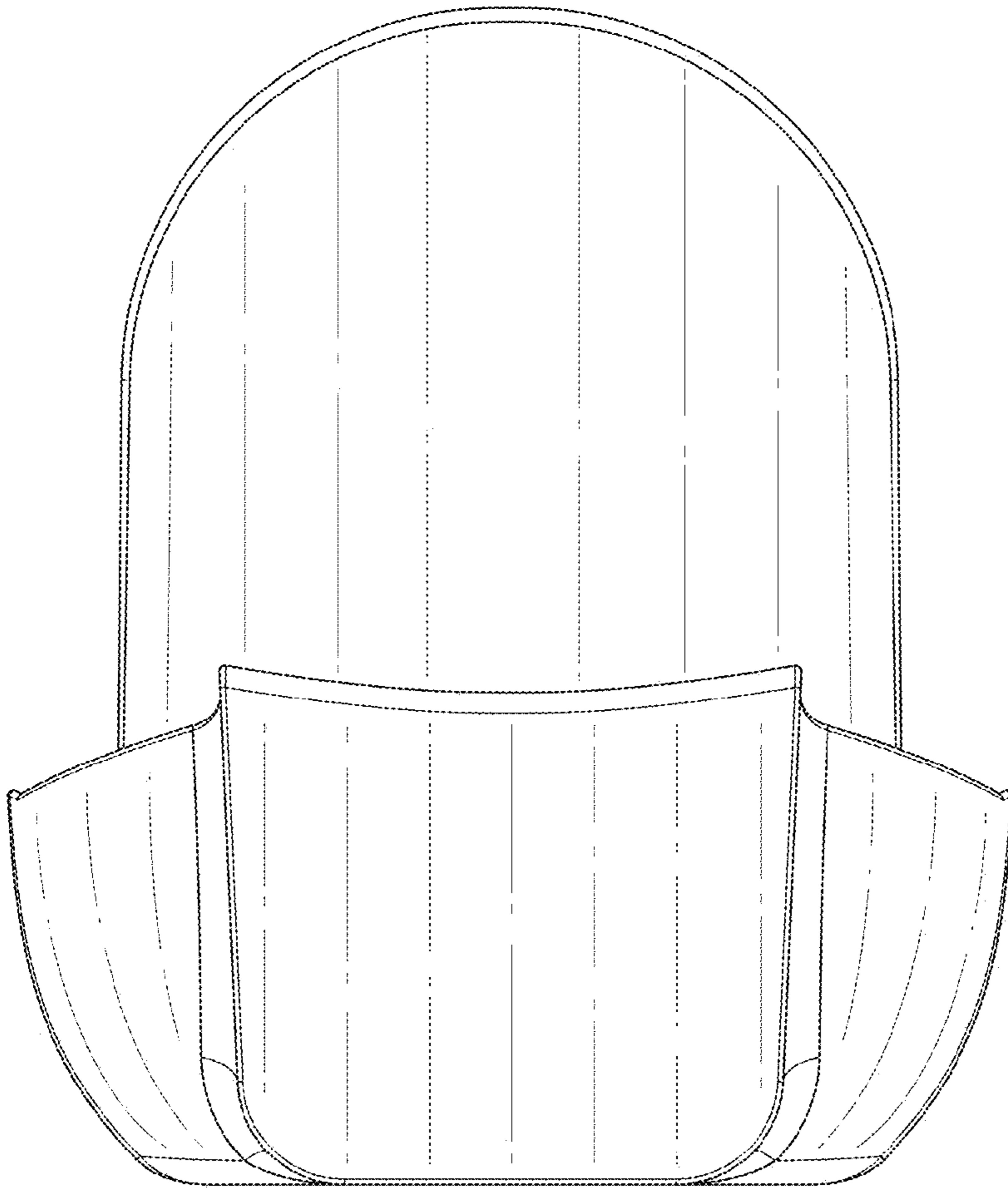


FIG. 4

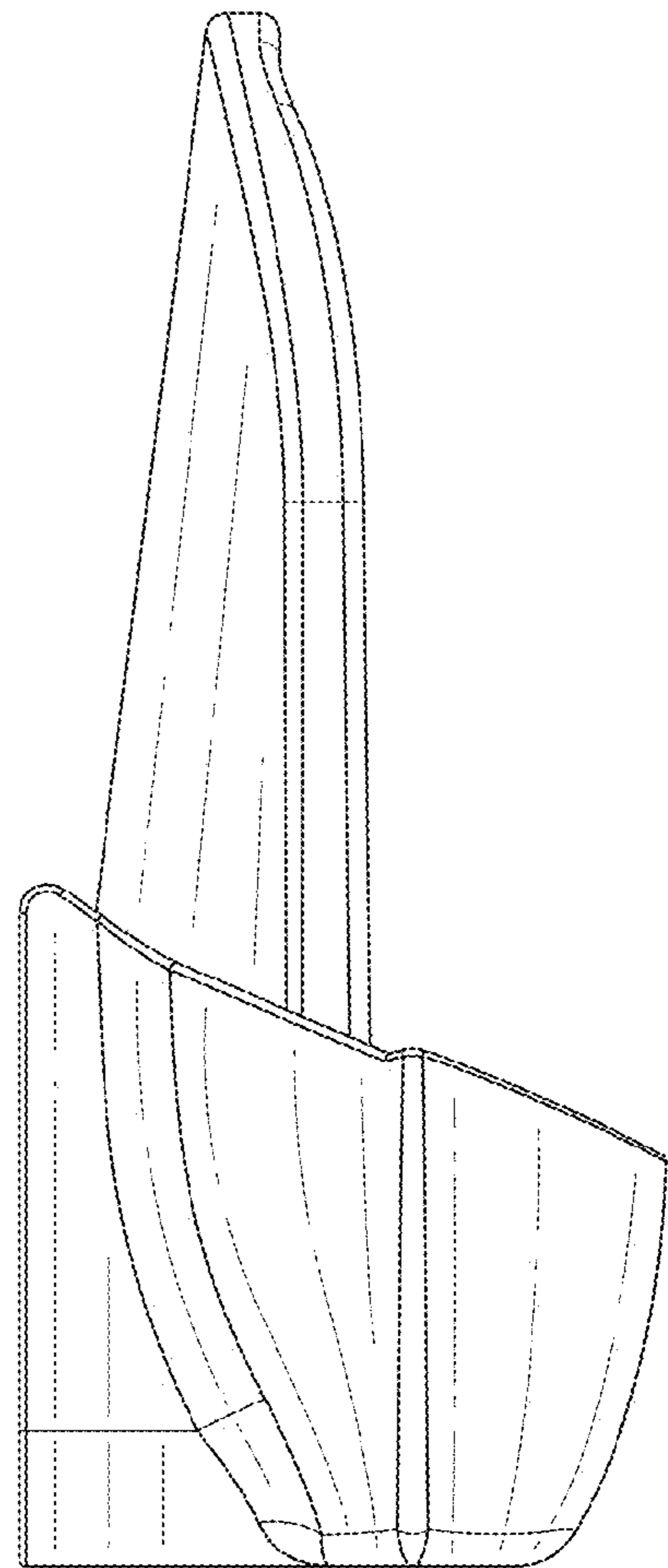


FIG. 5



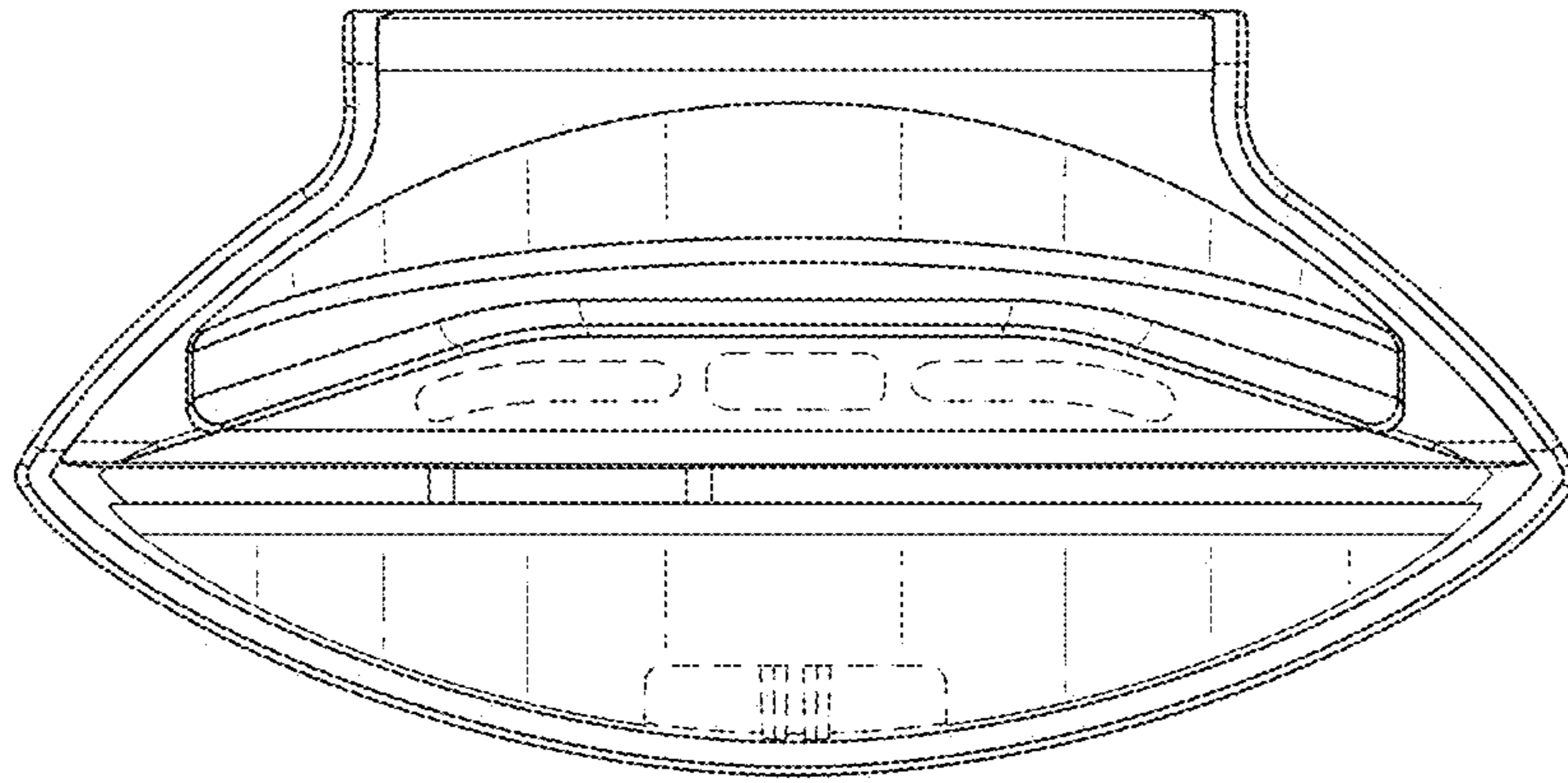


FIG. 6

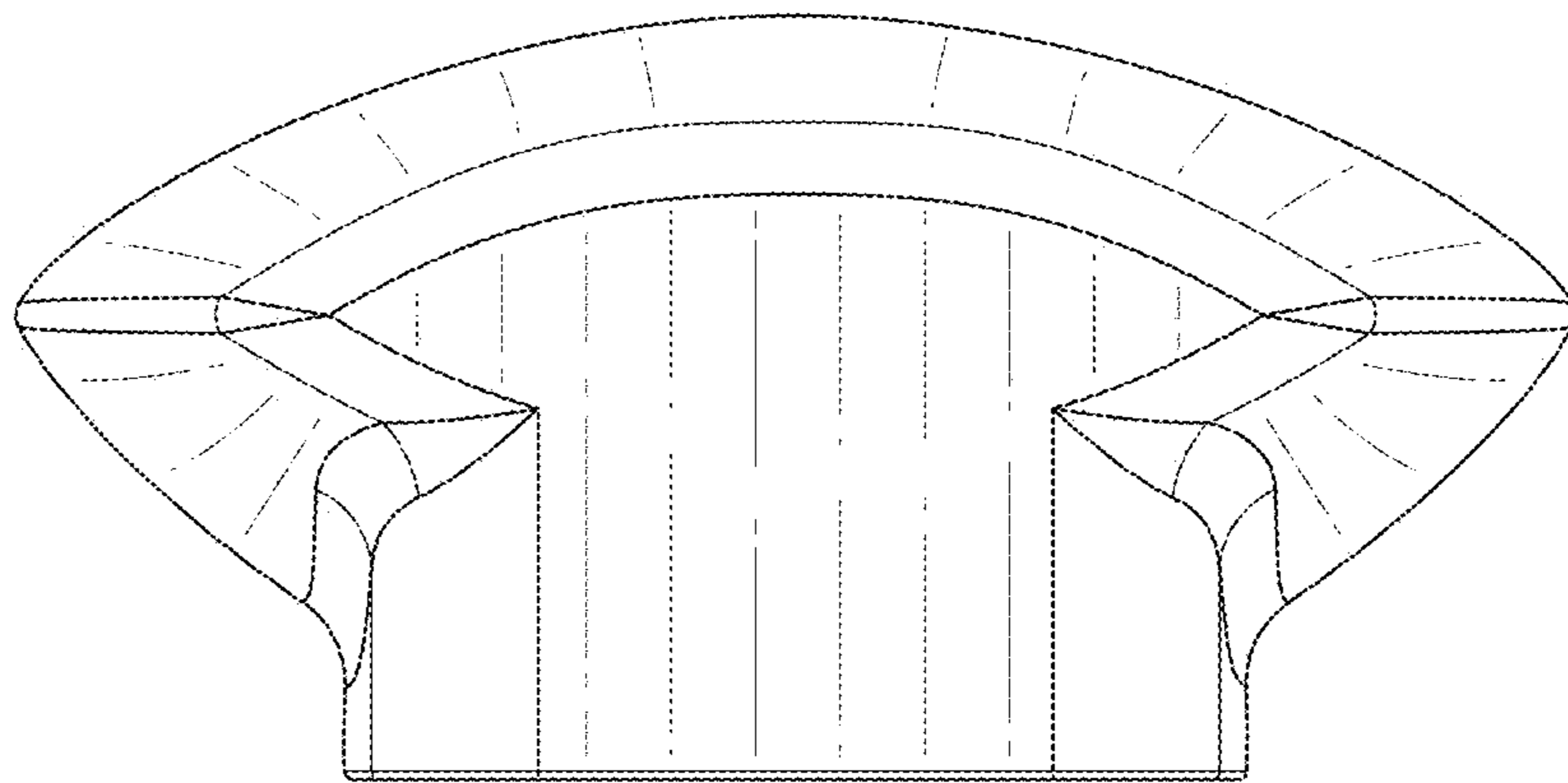


FIG. 7