



US00D934975S

(12) **United States Design Patent**
Boller et al.

(10) **Patent No.:** **US D934,975 S**
(45) **Date of Patent:** **** Nov. 2, 2021**

(54) **PLAY EQUIPMENT**

(71) Applicant: **Church Stewardship Inc.**, Rifton, NY (US)

(72) Inventors: **Kevin Mark Boller**, Walden, NY (US); **Reuel Clement**, Walden, NY (US); **Jay Warren Huleatt**, Walden, NY (US)

(73) Assignee: **CHURCH STEWARDSHIP INC.**, Rifton, NY (US)

(**) Term: **15 Years**

(21) Appl. No.: **29/733,374**

(22) Filed: **May 1, 2020**

Related U.S. Application Data

(63) Continuation of application No. 29/670,048, filed on Nov. 13, 2018, now Pat. No. Des. 884,104.

(51) **LOC (13) Cl.** **21-03**

(52) **U.S. Cl.**
USPC **D21/815**

(58) **Field of Classification Search**
USPC D21/811, 814-816, 826, 827
(Continued)

(56) **References Cited**

U.S. PATENT DOCUMENTS

1,744,079 A * 1/1930 Phillips B07B 1/04
472/126
D280,436 S * 9/1985 Mariol D21/815
(Continued)

OTHER PUBLICATIONS

Kaplan Outdoor Sand Trays, product for sale (<https://www.kaplanco.com/product/63765/outdoor-sand-trays-set-of-4-4-inchh-x-17-1-3-inchl-x-15-inchw>), at least as early as Nov. 12, 2018.

(Continued)

Primary Examiner — Mitchell I. Siegel

(74) *Attorney, Agent, or Firm* — Mandelbaum Silfin Economou LLP

(57) **CLAIM**

The ornamental design for play equipment, as shown and described.

DESCRIPTION

FIG. 1 is a perspective view of the play equipment showing our new design;

FIG. 2 is a front view of the play equipment shown in FIG. 1;

FIG. 3 is a back view of the play equipment shown in FIG. 1;

FIG. 4 is a left view of the play equipment shown in FIG. 1;

FIG. 5 is a right view of the play equipment shown in FIG. 1;

FIG. 6 is a top view of the play equipment shown in FIG. 1;

FIG. 7 is a bottom view of the play equipment shown in FIG. 1;

FIG. 8 is a perspective view of a second embodiment of the play equipment showing our new design;

FIG. 9 is a front view of the play equipment shown in FIG. 8;

FIG. 10 is a back view of the play equipment shown in FIG. 8;

FIG. 11 is a left view of the play equipment shown in FIG. 8;

FIG. 12 is a right view of the play equipment shown in FIG. 8;

FIG. 13 is a top view of the play equipment shown in FIG. 8;

FIG. 14 is a bottom view of the play equipment shown in FIG. 8;

FIG. 15 is a perspective view of a third embodiment of the play equipment showing our new design;

FIG. 16 is a front view of the play equipment shown in FIG. 15;

FIG. 17 is a back view of the play equipment shown in FIG. 15;

FIG. 18 is a left view of the play equipment shown in FIG. 15;

(Continued)

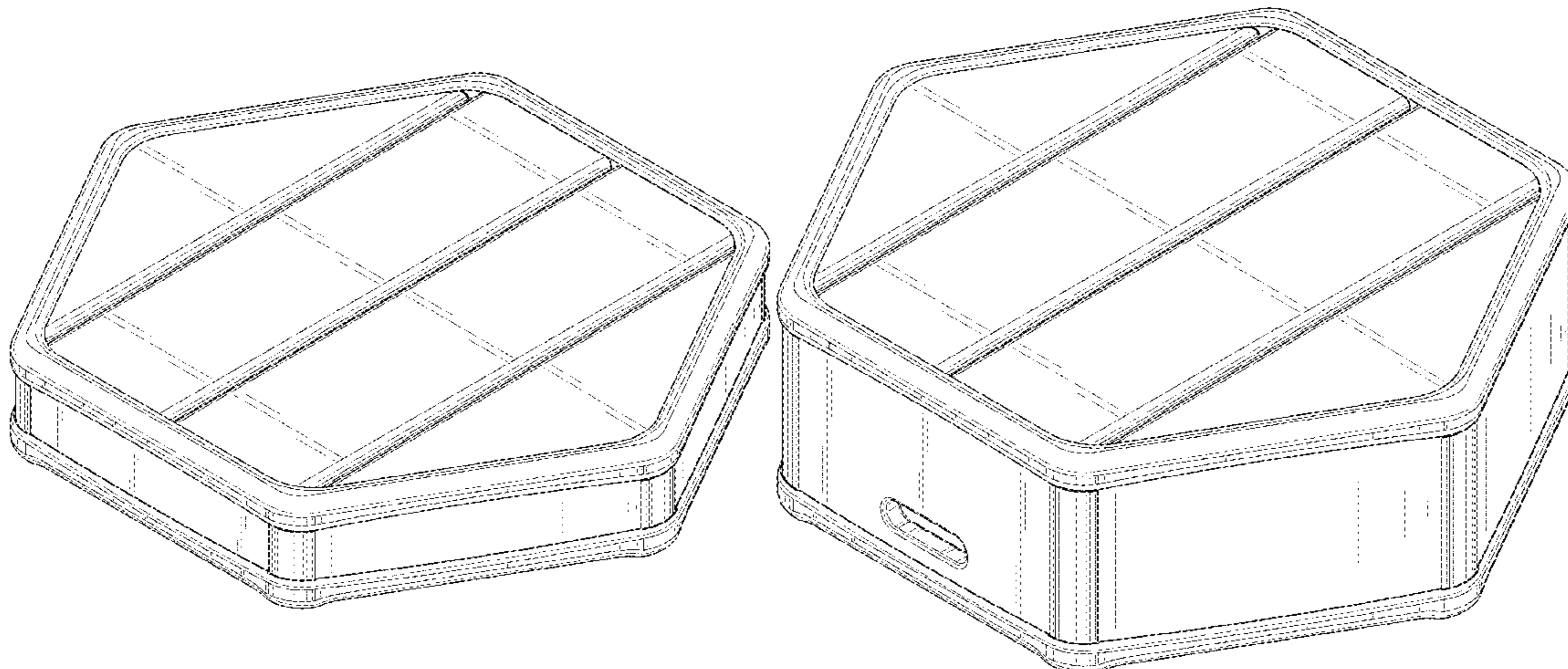


FIG. 19 is a right view of the play equipment shown in FIG. 15;
FIG. 20 is a top view of the play equipment shown in FIG. 15; and,
FIG. 21 is a bottom view of the play equipment shown in FIG. 15.

1 Claim, 21 Drawing Sheets

(58) **Field of Classification Search**

CPC .. E04H 15/58; E04H 4/08-108; A01K 1/0107
See application file for complete search history.

(56) **References Cited**

U.S. PATENT DOCUMENTS

D308,088 S * 5/1990 Mariol D21/815
D311,432 S * 10/1990 Cattoni D21/816

D334,789 S * 4/1993 Fish, Jr. D21/815
D372,290 S * 7/1996 Bookstaver D21/815
D394,894 S * 6/1998 Strawcutter D21/814
D397,397 S * 8/1998 Strawcutter D21/811
D592,726 S * 5/2009 Auberger D21/815
7,584,717 B2 * 9/2009 Skovron A01K 1/0107
119/165
D758,516 S * 6/2016 Radford D21/814
D863,485 S * 10/2019 VanNatta D21/811
D884,104 S * 5/2020 Boiler D21/815

OTHER PUBLICATIONS

Outdorable Beaverlodge Wooden Outdoor Play Climbers, products for sale (<https://outdorable.com/products/outdoor-adventure-play-equipment>), at least as early as Nov. 12, 2018.

* cited by examiner

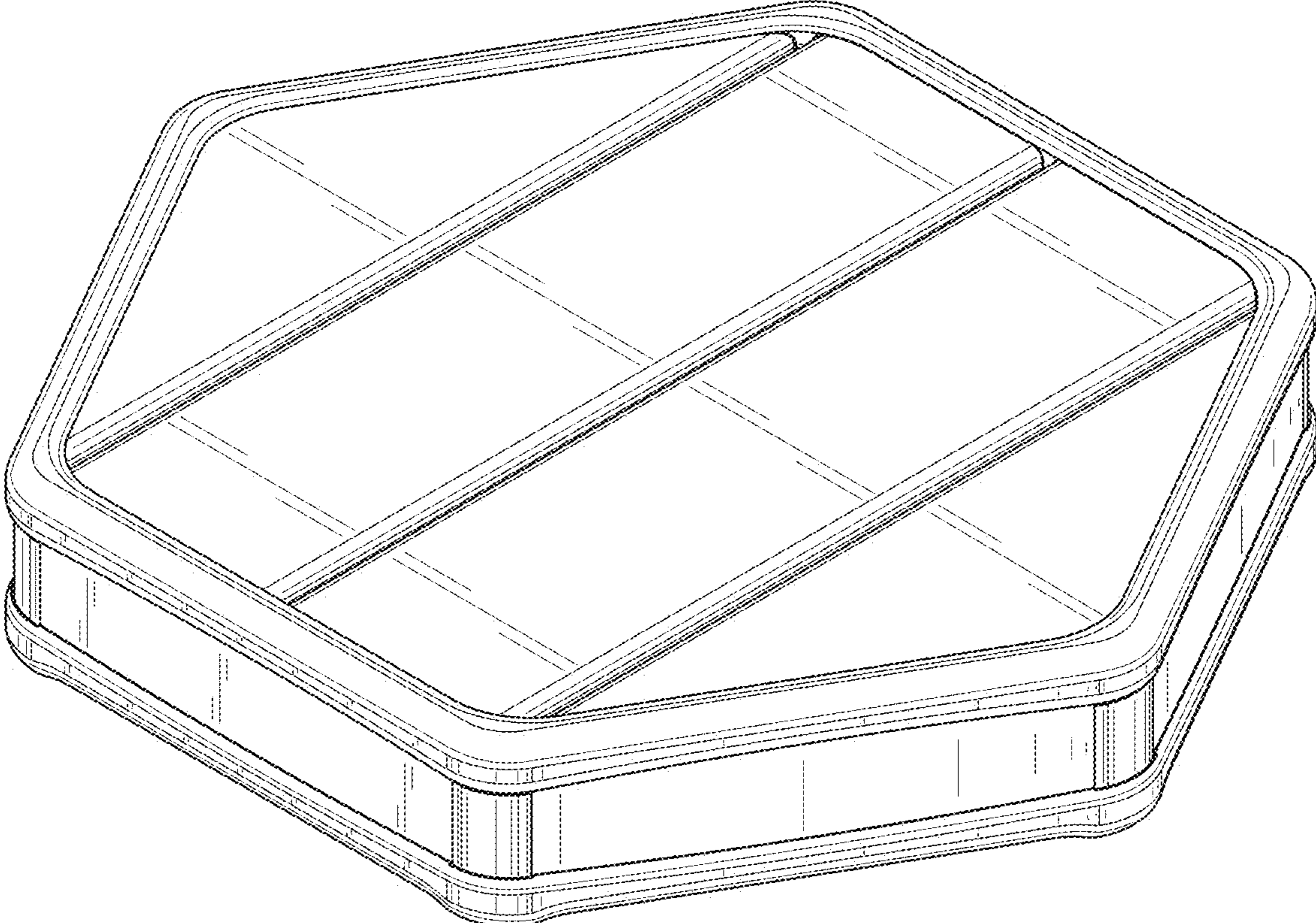


FIG. 1

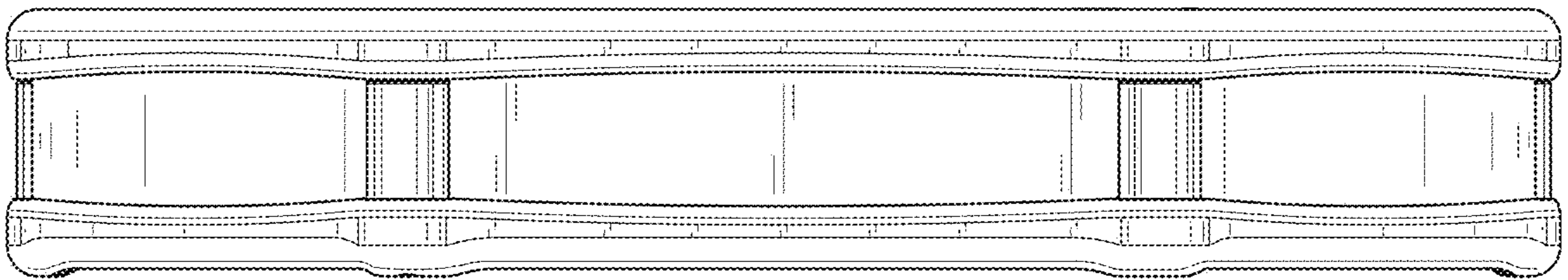


FIG. 2

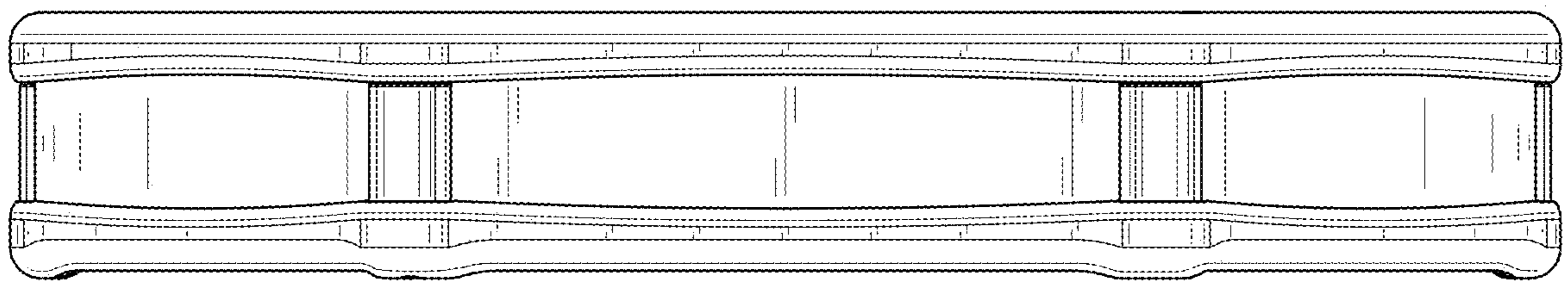


FIG. 3

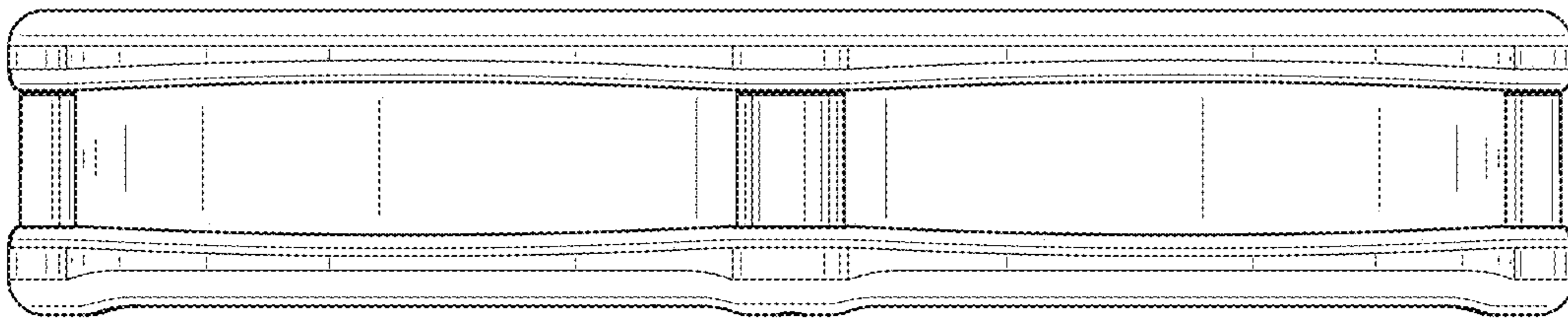


FIG. 4

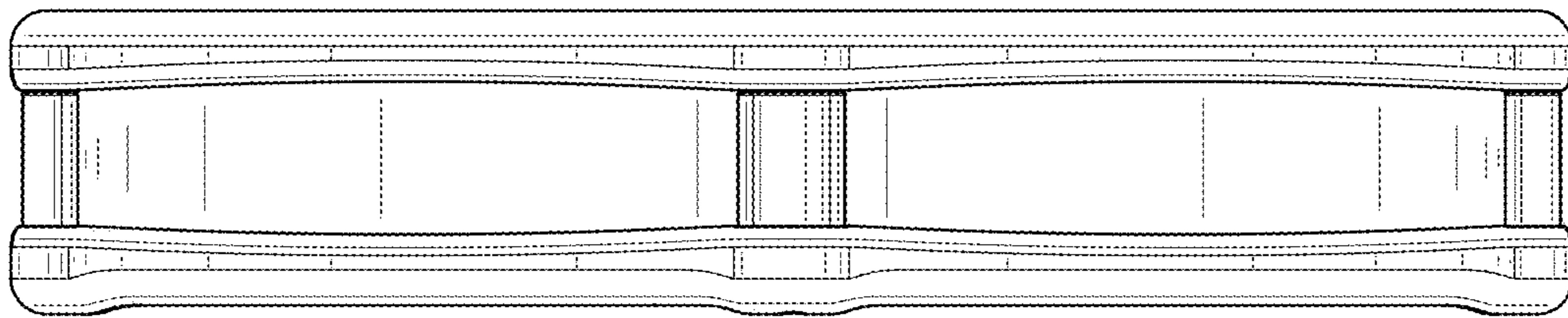


FIG. 5

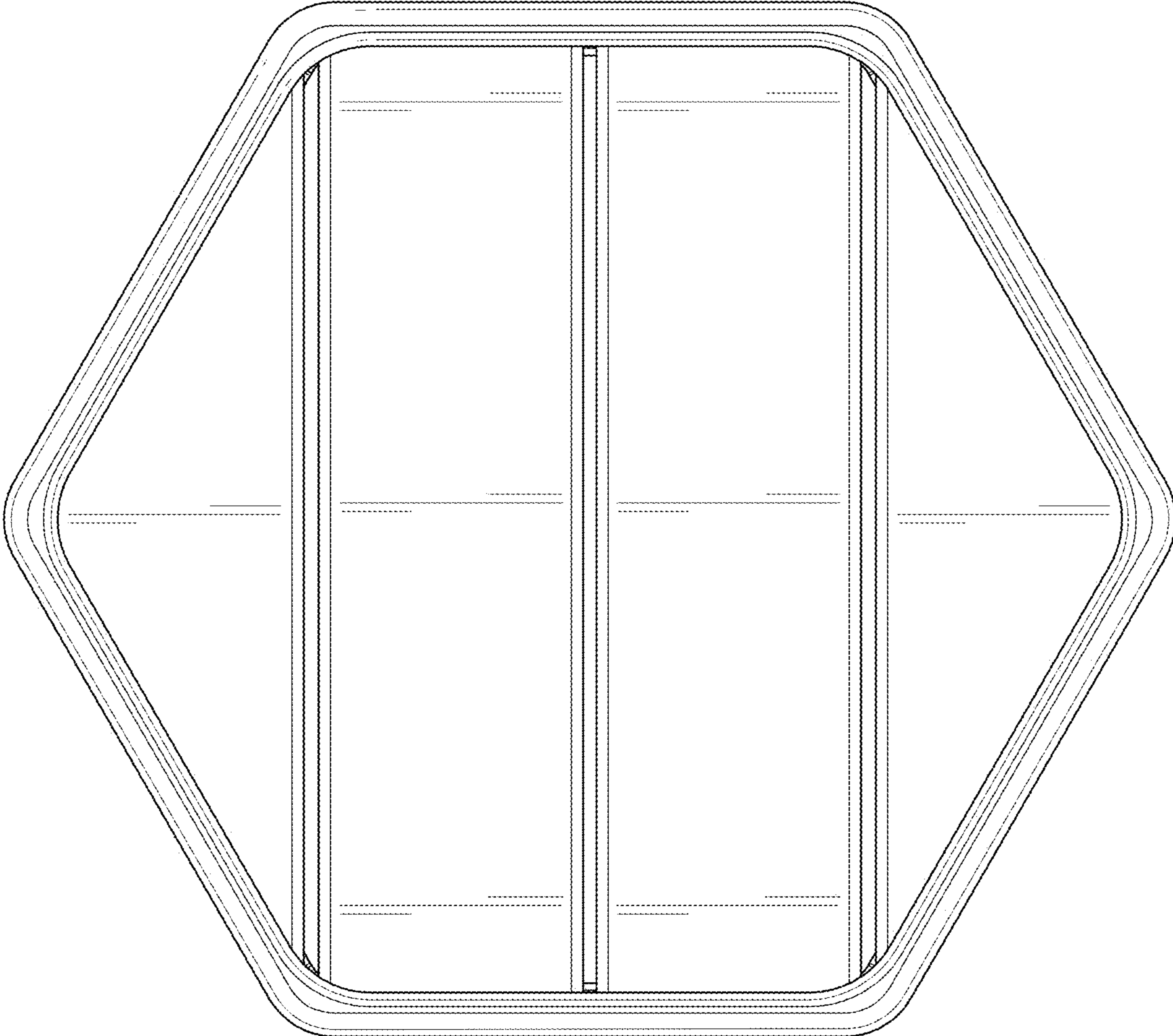


FIG. 6

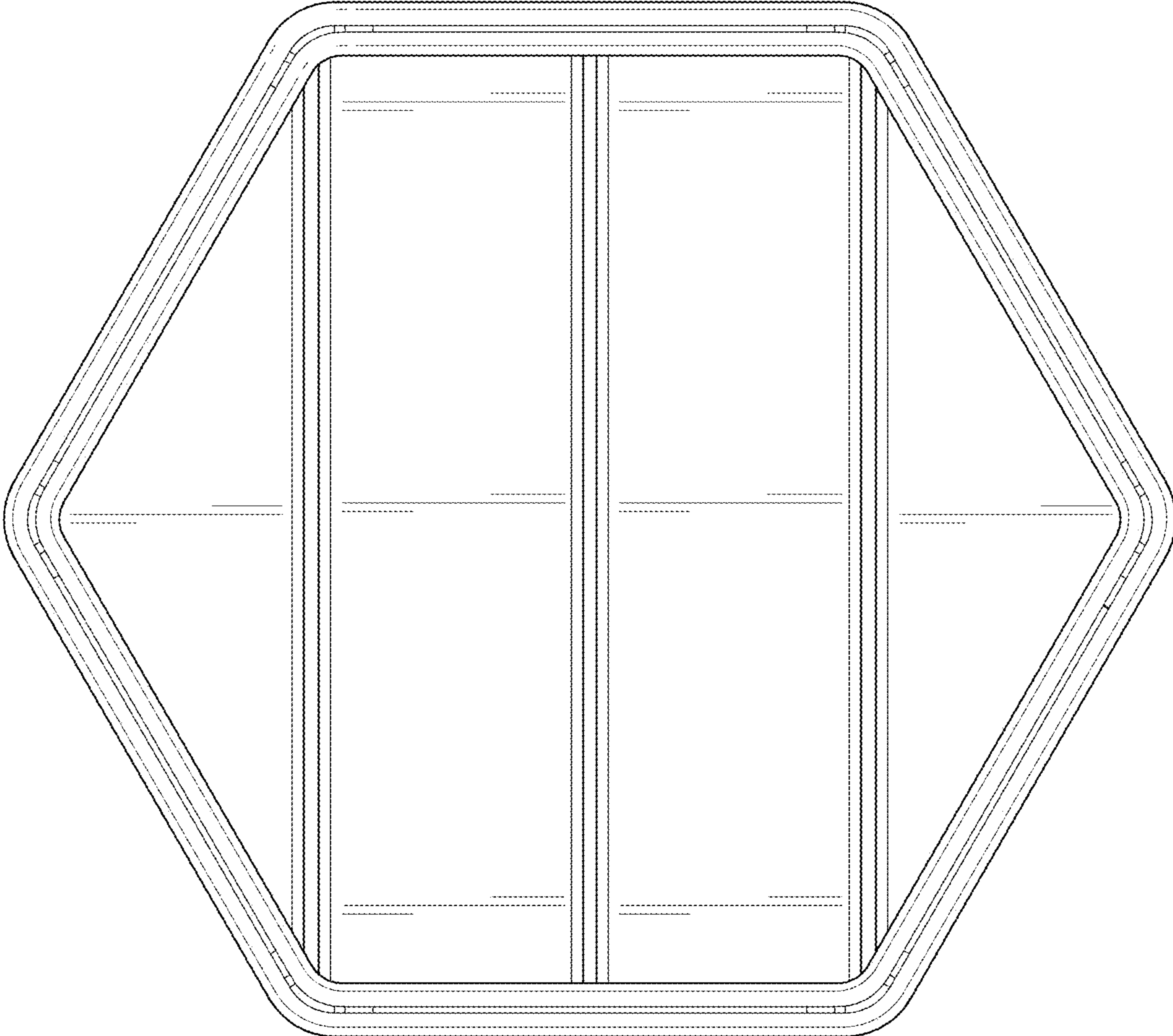


FIG. 7

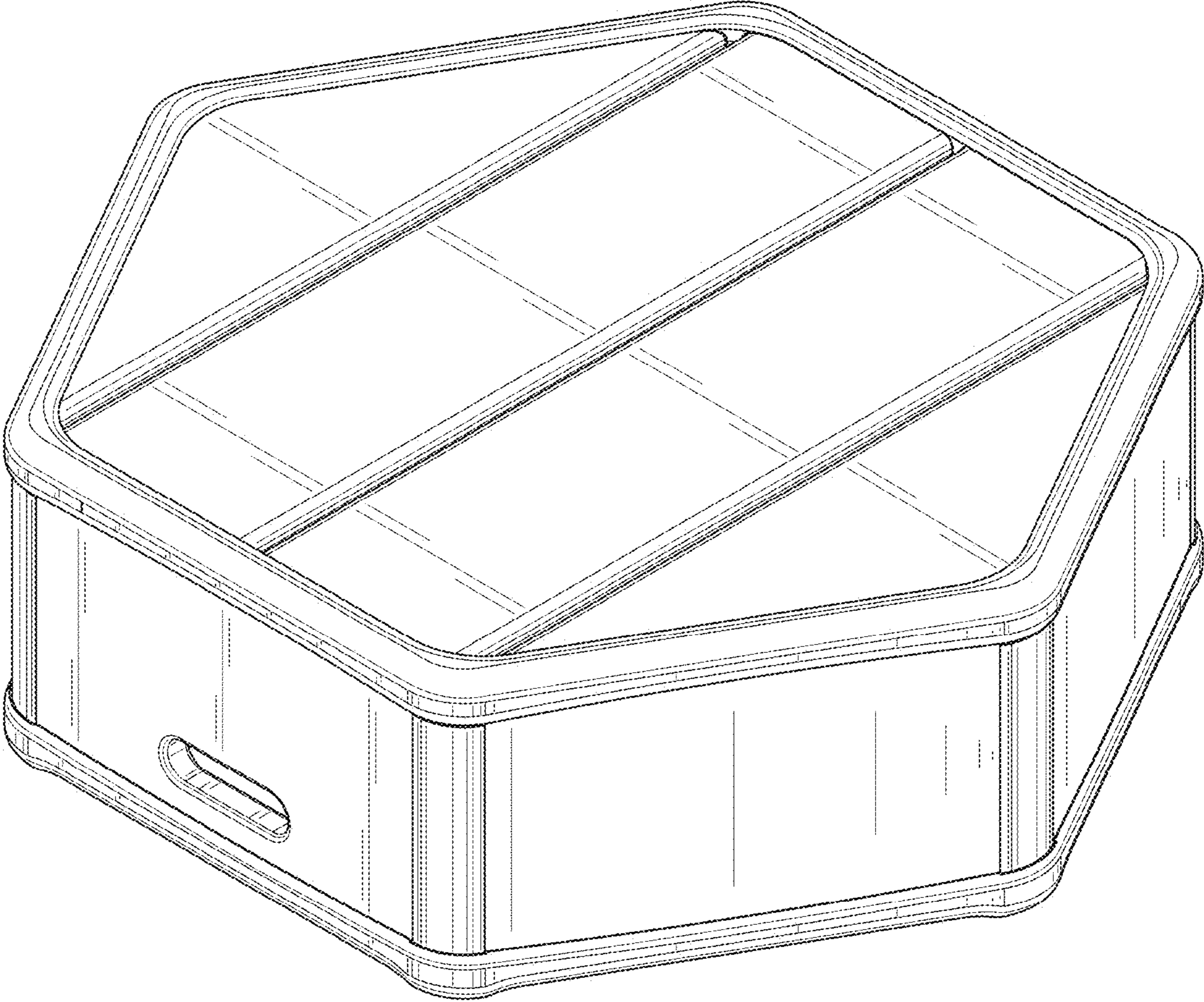


FIG. 8

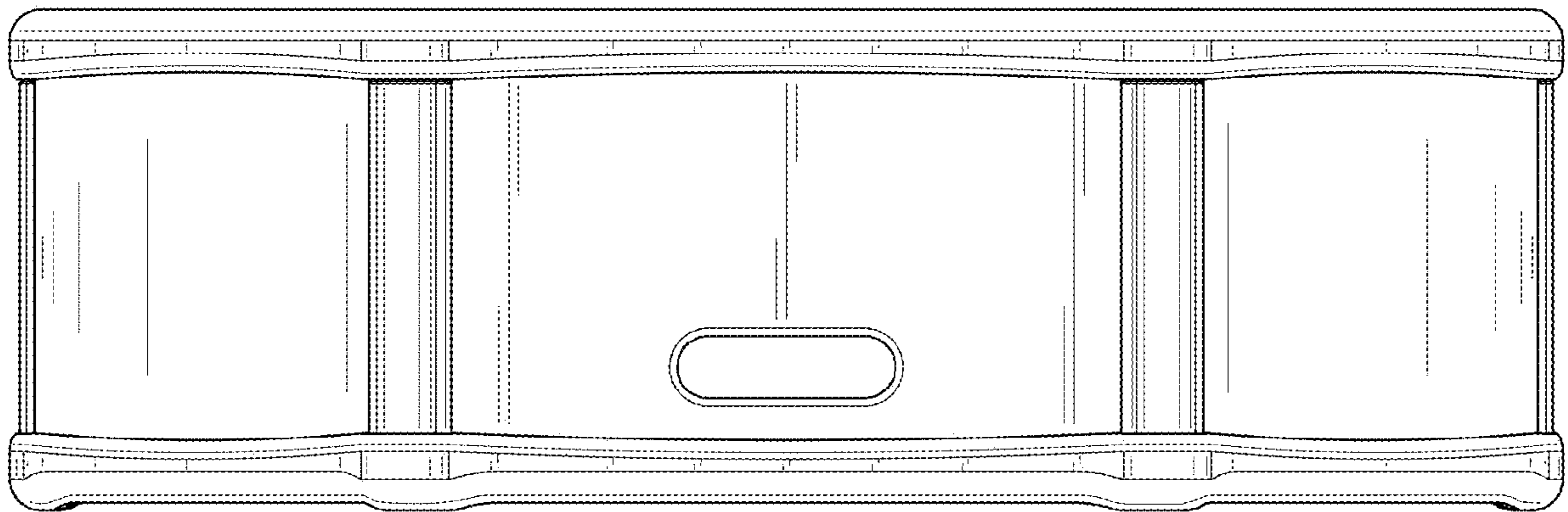


FIG. 9

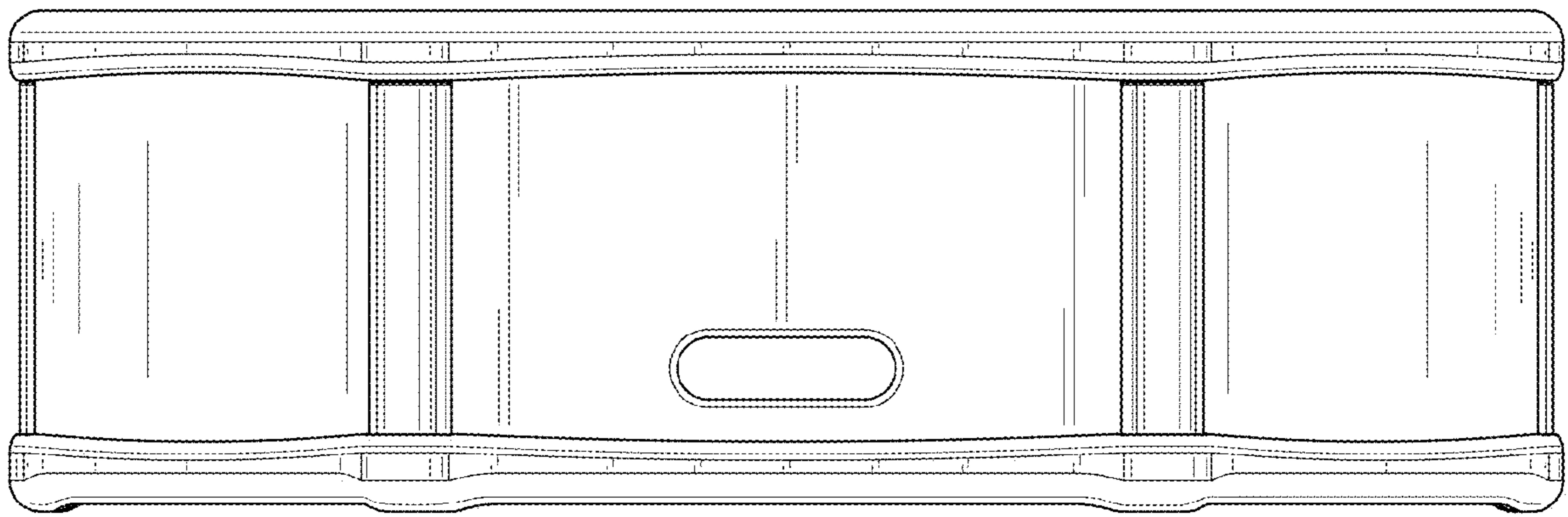


FIG. 10

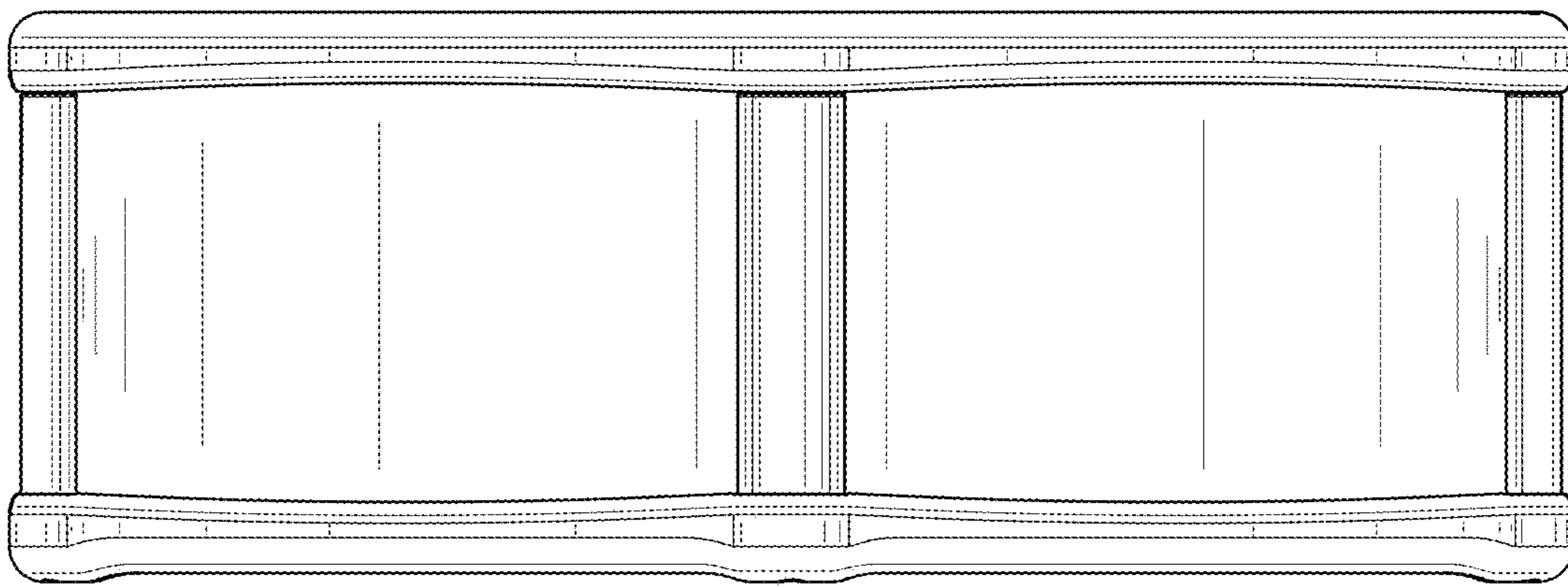


FIG. 11

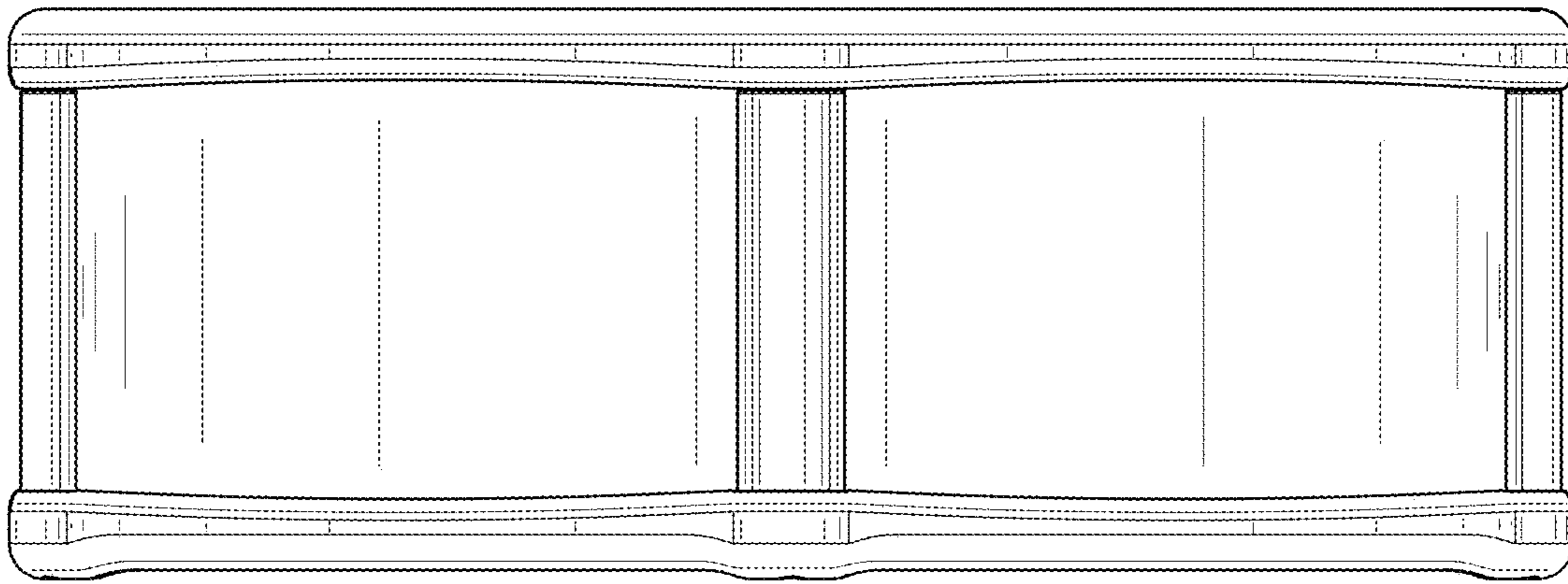


FIG. 12

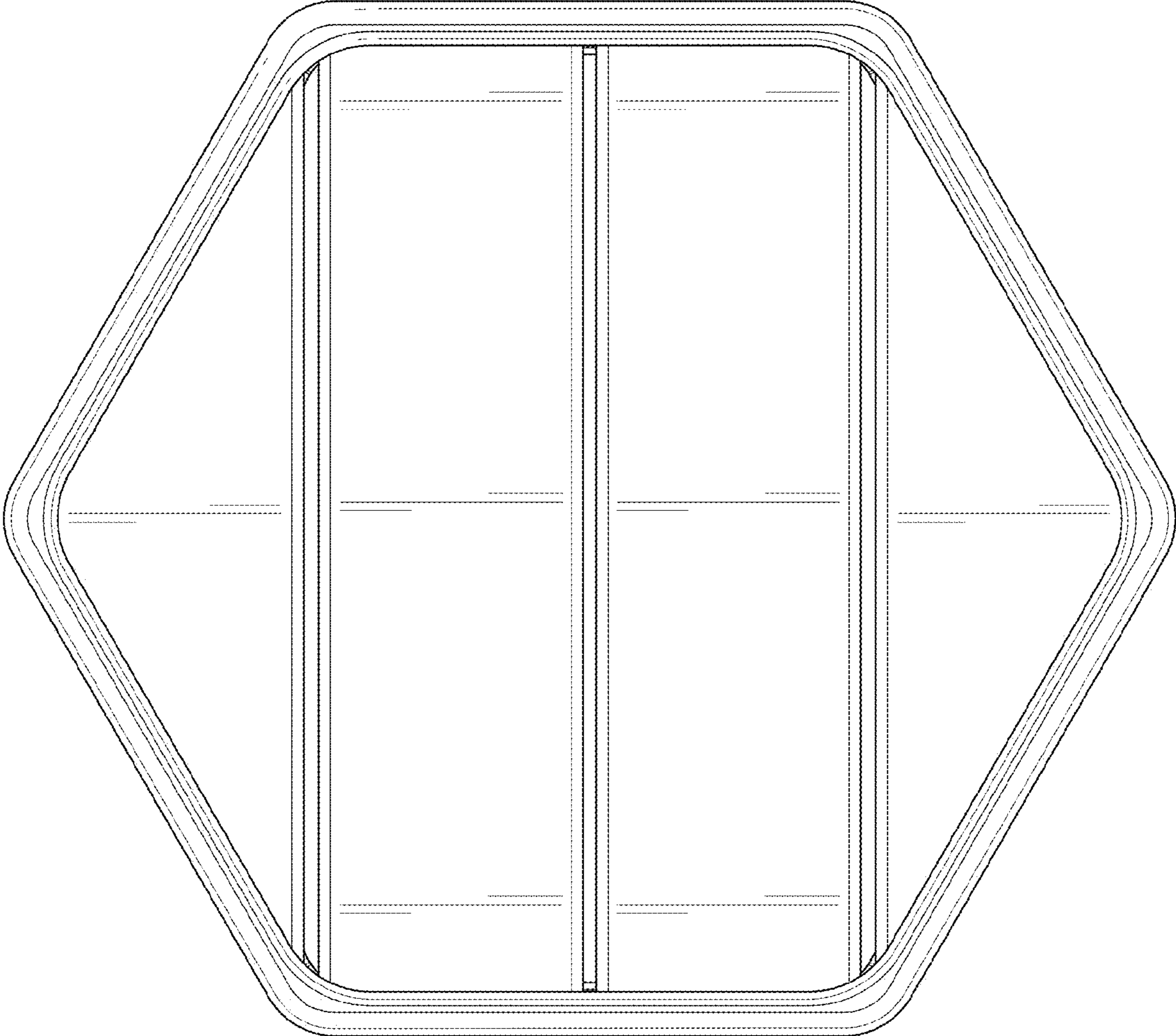


FIG. 13

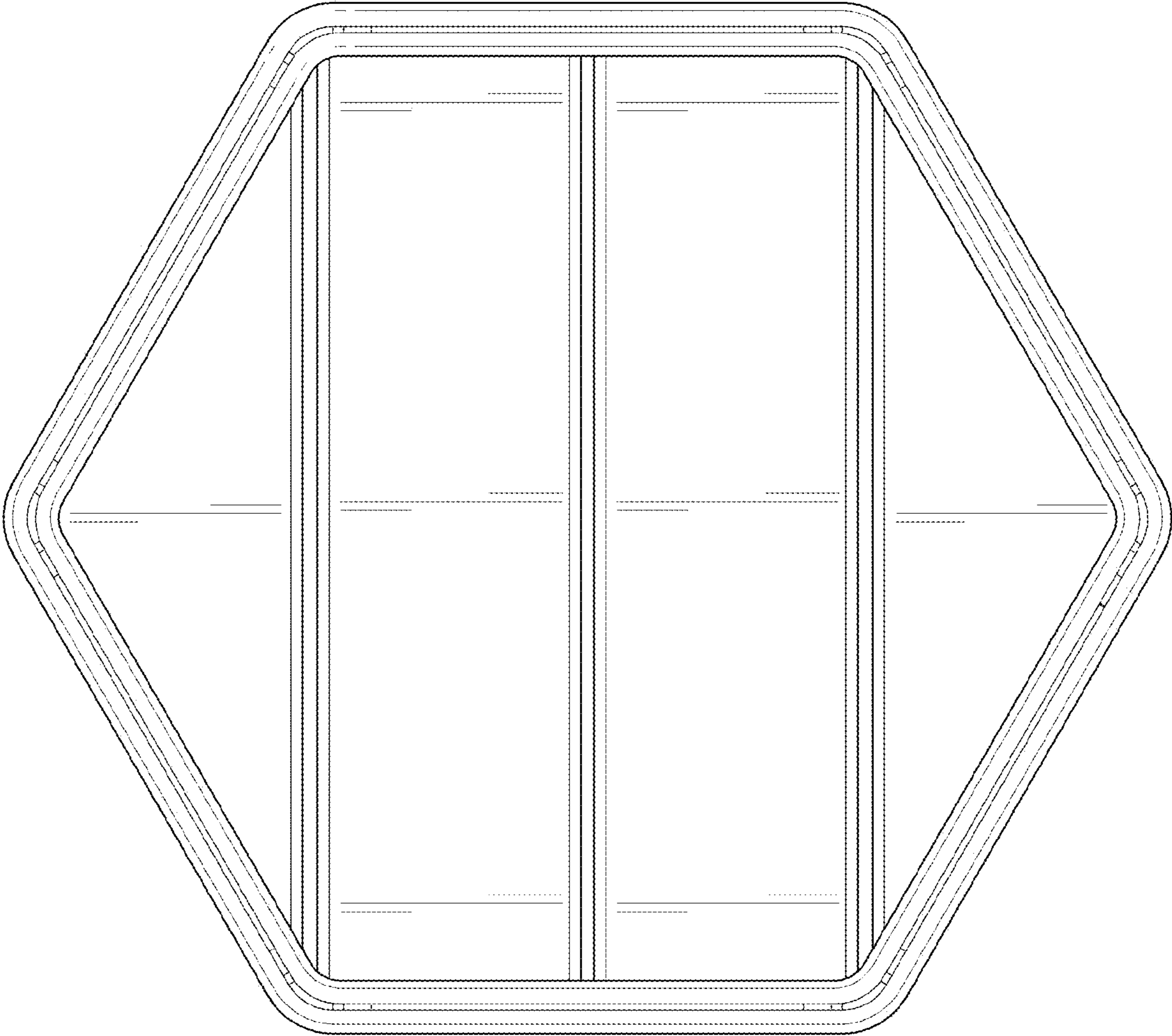


FIG. 14

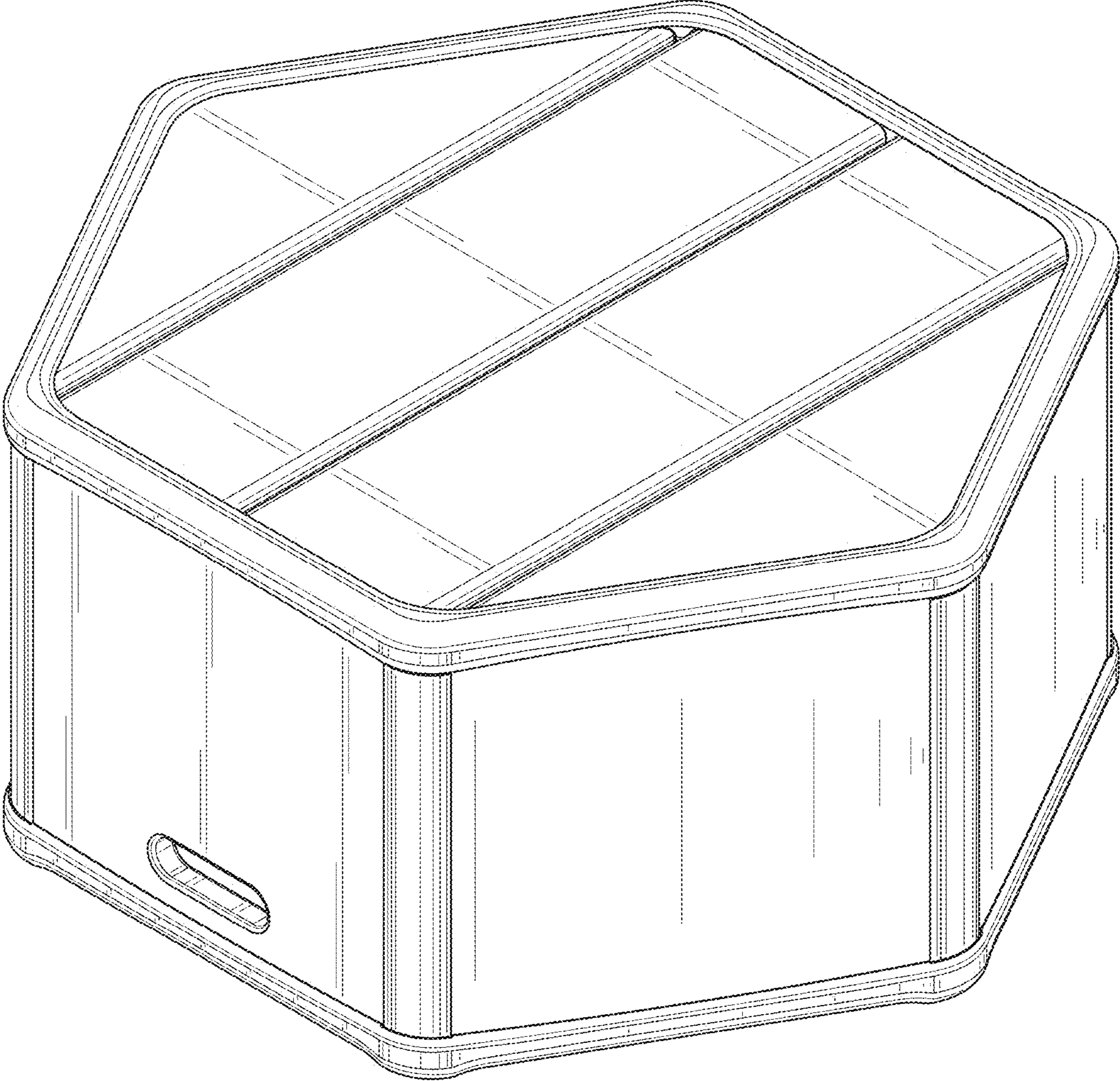


FIG. 15

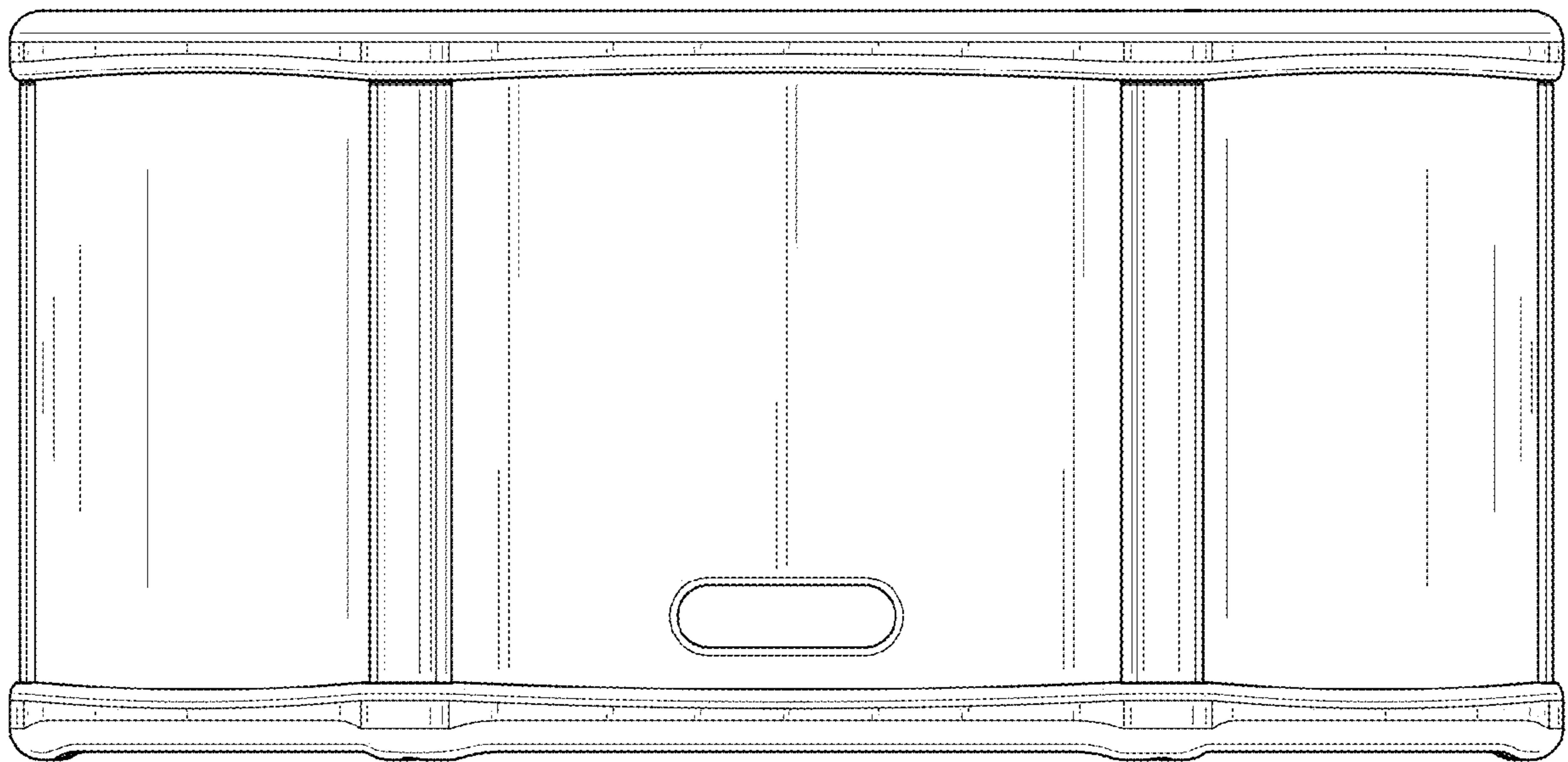


FIG. 16

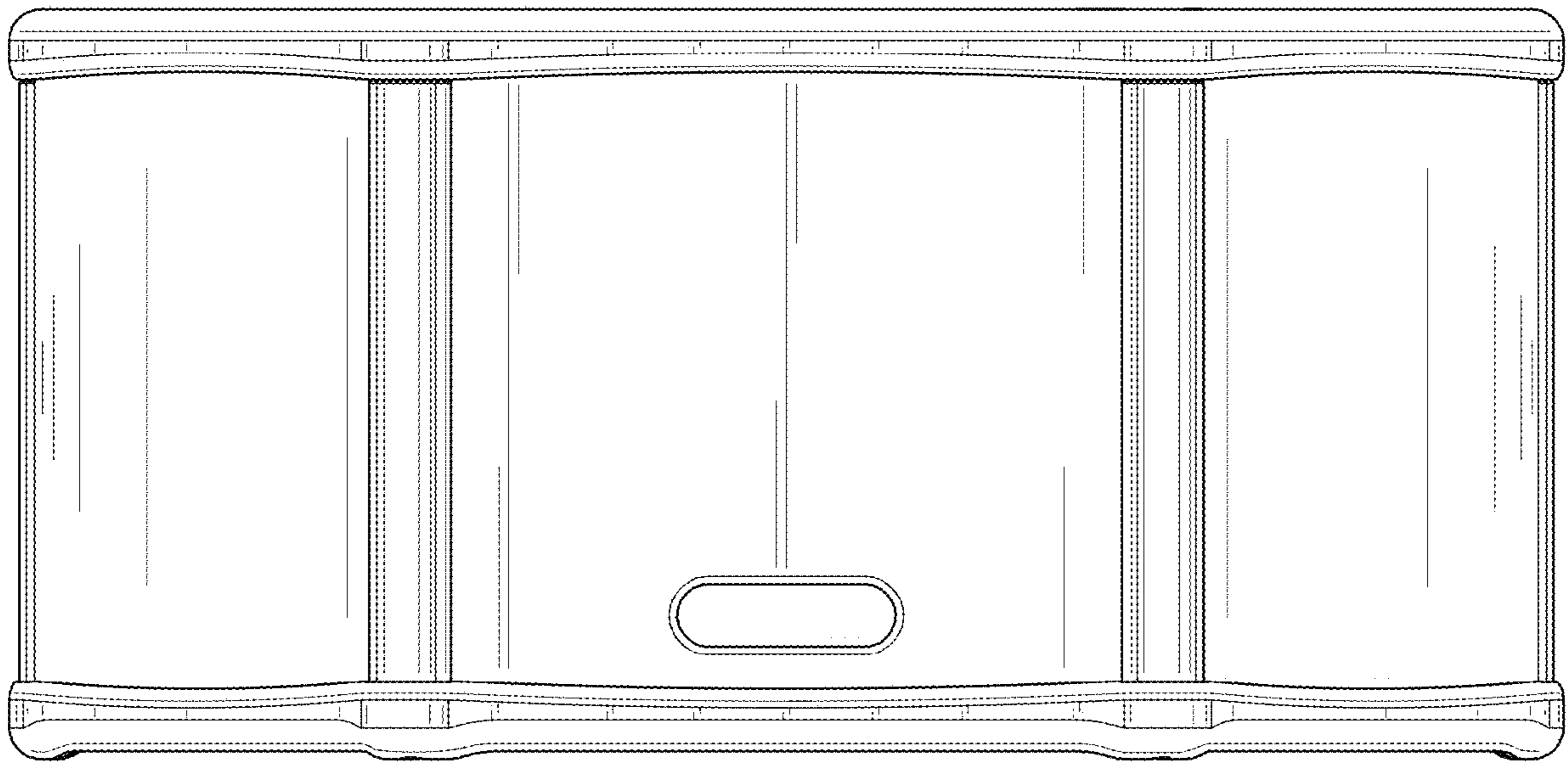


FIG. 17

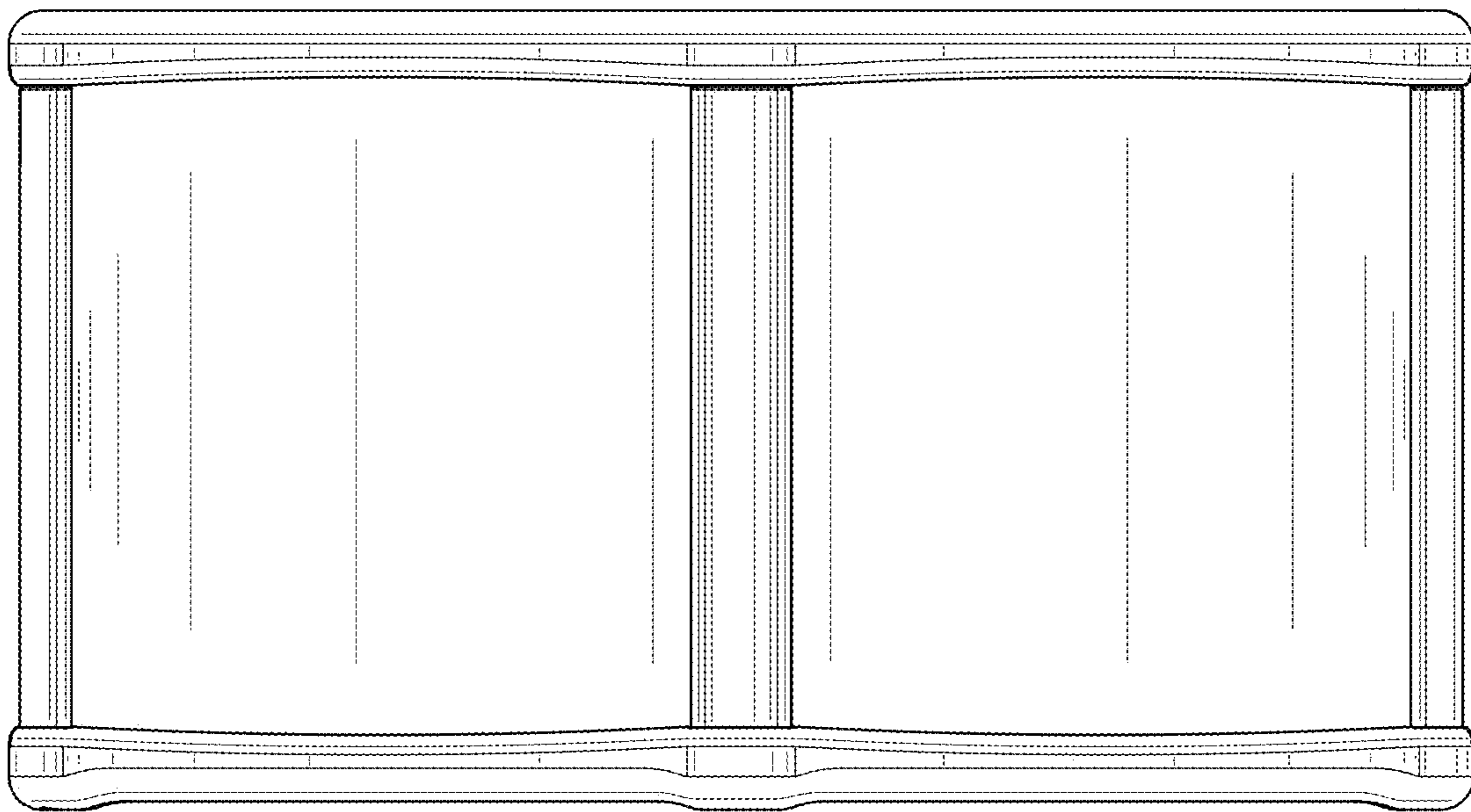


FIG. 18

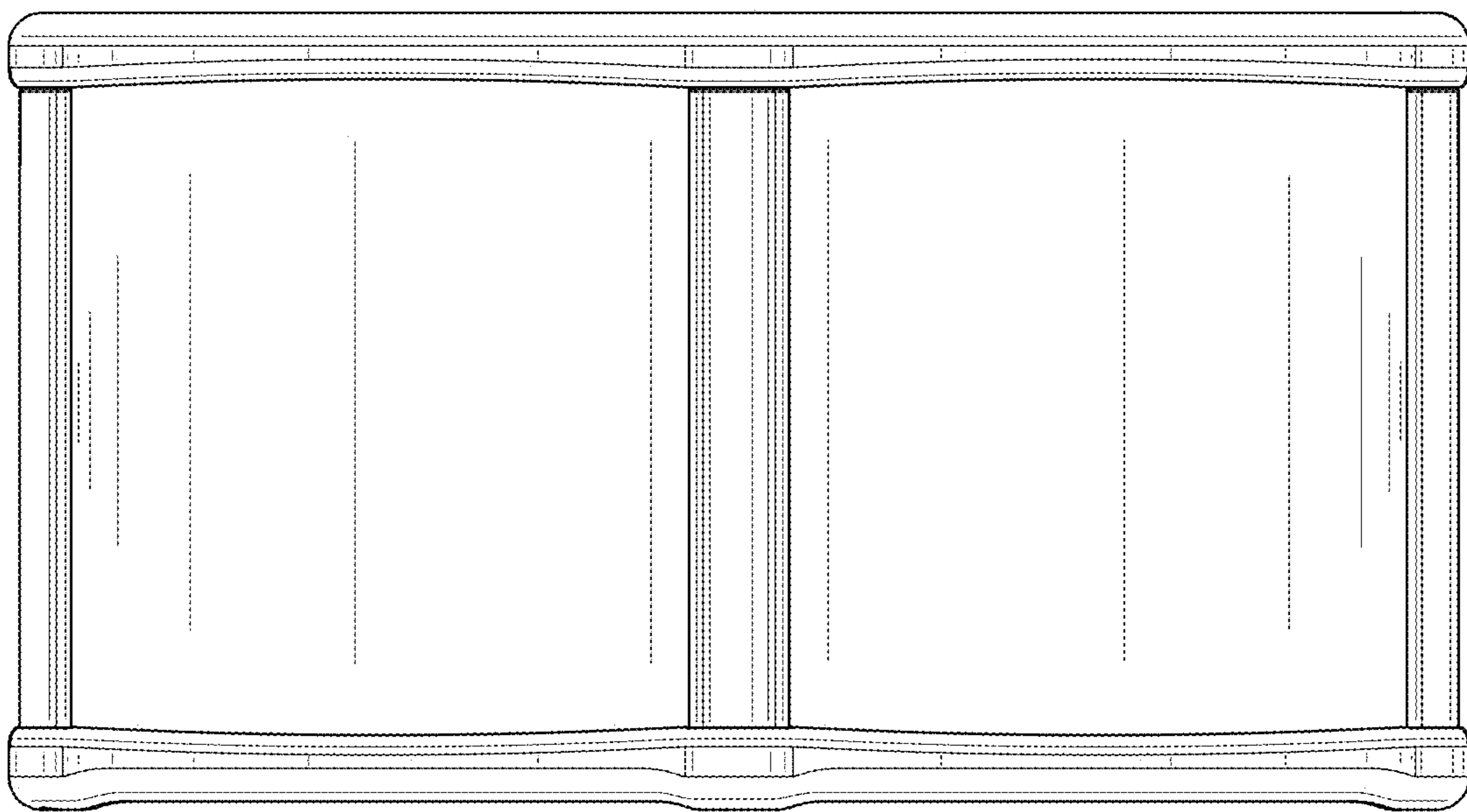


FIG. 19

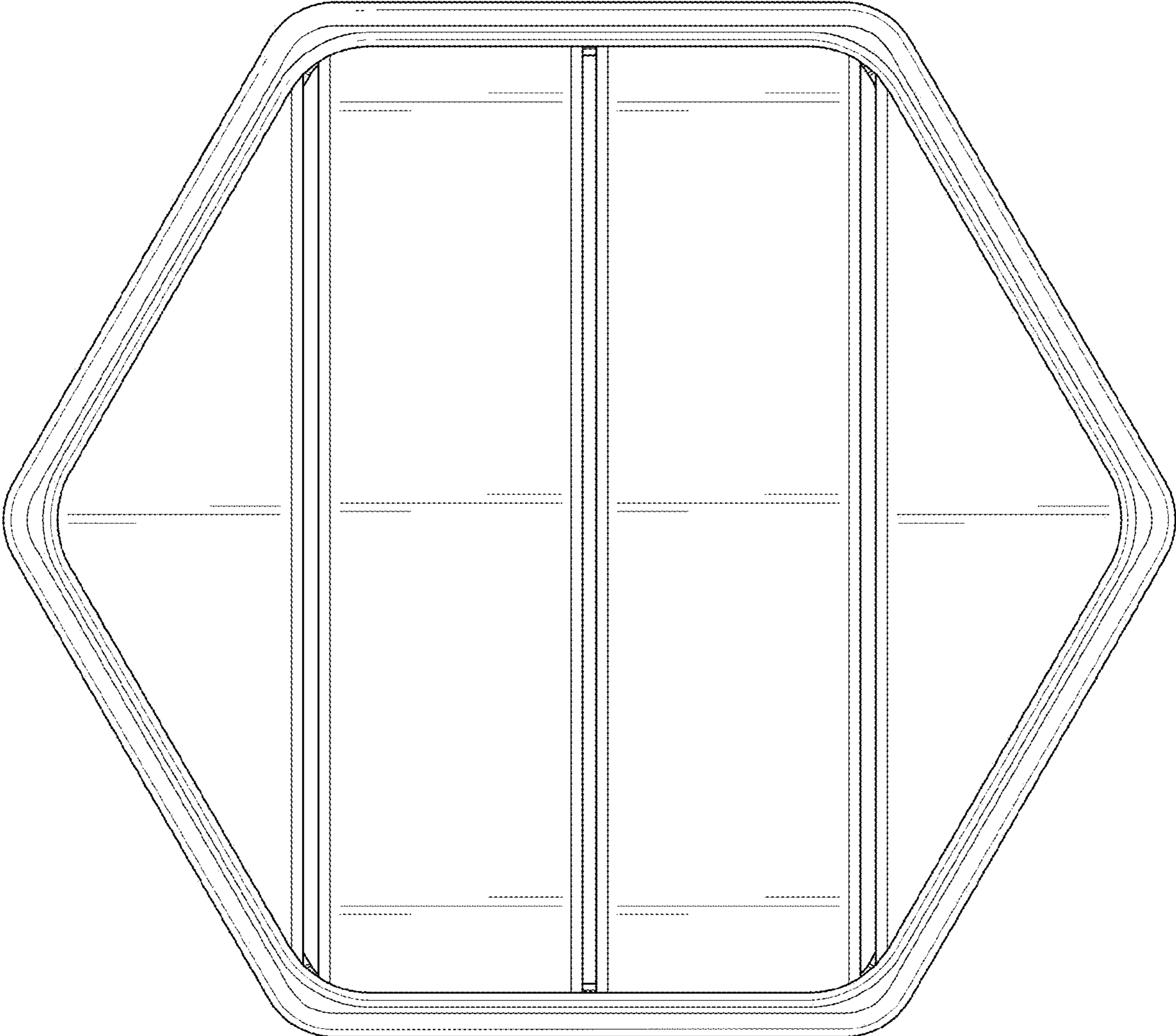


FIG. 20

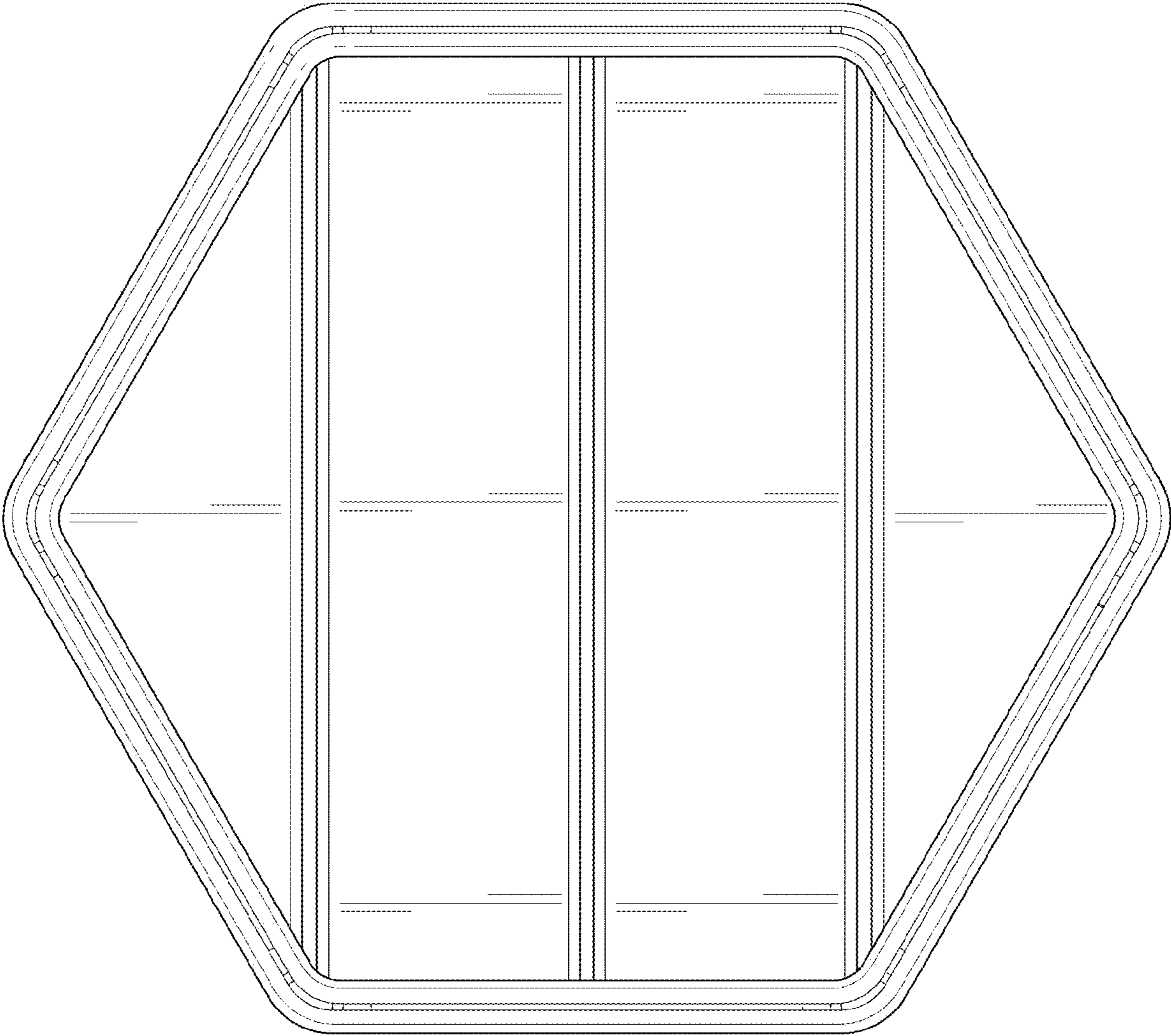


FIG. 21