



US00D934973S

(12) **United States Design Patent**
Southcott

(10) **Patent No.:** **US D934,973 S**

(45) **Date of Patent:** **** Nov. 2, 2021**

(54) **GOLF CLUB GRIP**

(71) Applicant: **Tyler Southcott**, Raleigh, NC (US)

(72) Inventor: **Tyler Southcott**, Raleigh, NC (US)

(**) Term: **15 Years**

(21) Appl. No.: **29/736,095**

(22) Filed: **May 27, 2020**

(51) **LOC (13) Cl.** **21-02**

(52) **U.S. Cl.**
USPC **D21/756**

(58) **Field of Classification Search**
USPC D21/756-758; D8/80, 83, 94, 97, 107,
D8/300, 321
CPC A63B 60/06-60/34; A63B 60/00; A63B
60/46; A63B 59/60-59/80; A63B
49/00-49/14; A63B 53/14
See application file for complete search history.

(56) **References Cited**

U.S. PATENT DOCUMENTS

2,046,164	A *	6/1936	Herkner	A63B 60/00	473/302
5,261,665	A *	11/1993	Downey	A63B 60/08	473/303
5,795,242	A *	8/1998	Ree	A63B 60/14	473/303
D561,281	S *	2/2008	Sims	D21/725	
7,703,179	B2 *	4/2010	Ferguson	B29C 33/42	16/431

7,828,680	B2 *	11/2010	Pfeifer	A63B 60/16	473/513
D812,166	S *	3/2018	Armstrong	D21/756	
2002/0114920	A1 *	8/2002	Scholz	A63B 53/14	428/119

* cited by examiner

Primary Examiner — Mitchell I. Siegel

(74) *Attorney, Agent, or Firm* — The Rapacke Law Group
PA

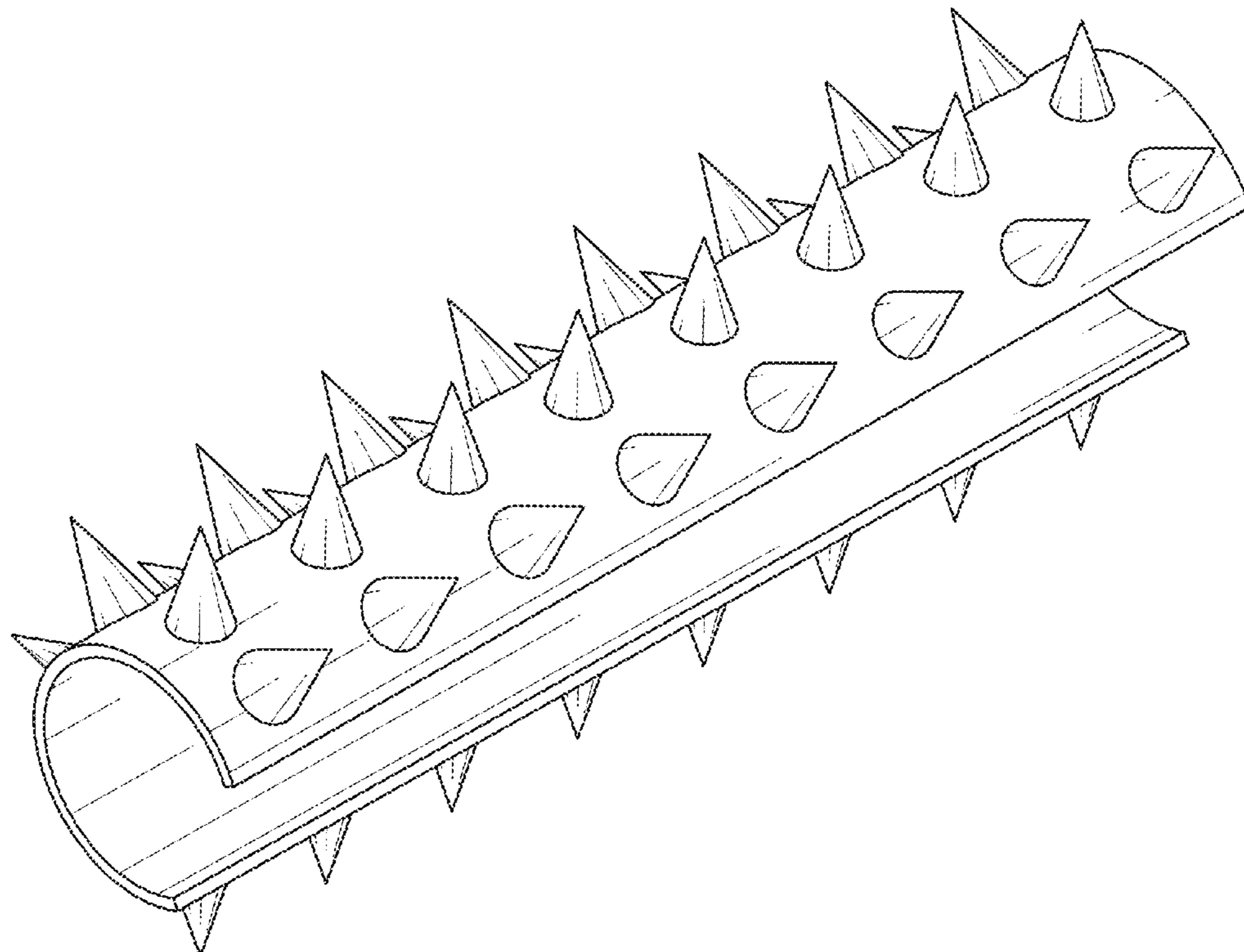
(57) **CLAIM**

The ornamental design for a golf club grip, as shown and described.

DESCRIPTION

FIG. 1 is a perspective view of the golf club grip, showing the new design;
FIG. 2 is a front elevational view of the golf club grip thereof;
FIG. 3 is a left side elevational view of the golf club grip thereof;
FIG. 4 is a rear elevational view of the golf club grip thereof;
FIG. 5 is a rear elevational view of the golf club grip thereof;
FIG. 6 is a top plan view of the golf club grip thereof;
FIG. 7 is a bottom plan view of the golf club grip thereof;
and,
FIG. 8 is a reduced perspective environmental view of the golf club grip thereof.
The broken lines in the drawings illustrate environmental subject matter and form no part of the claimed design.

1 Claim, 5 Drawing Sheets



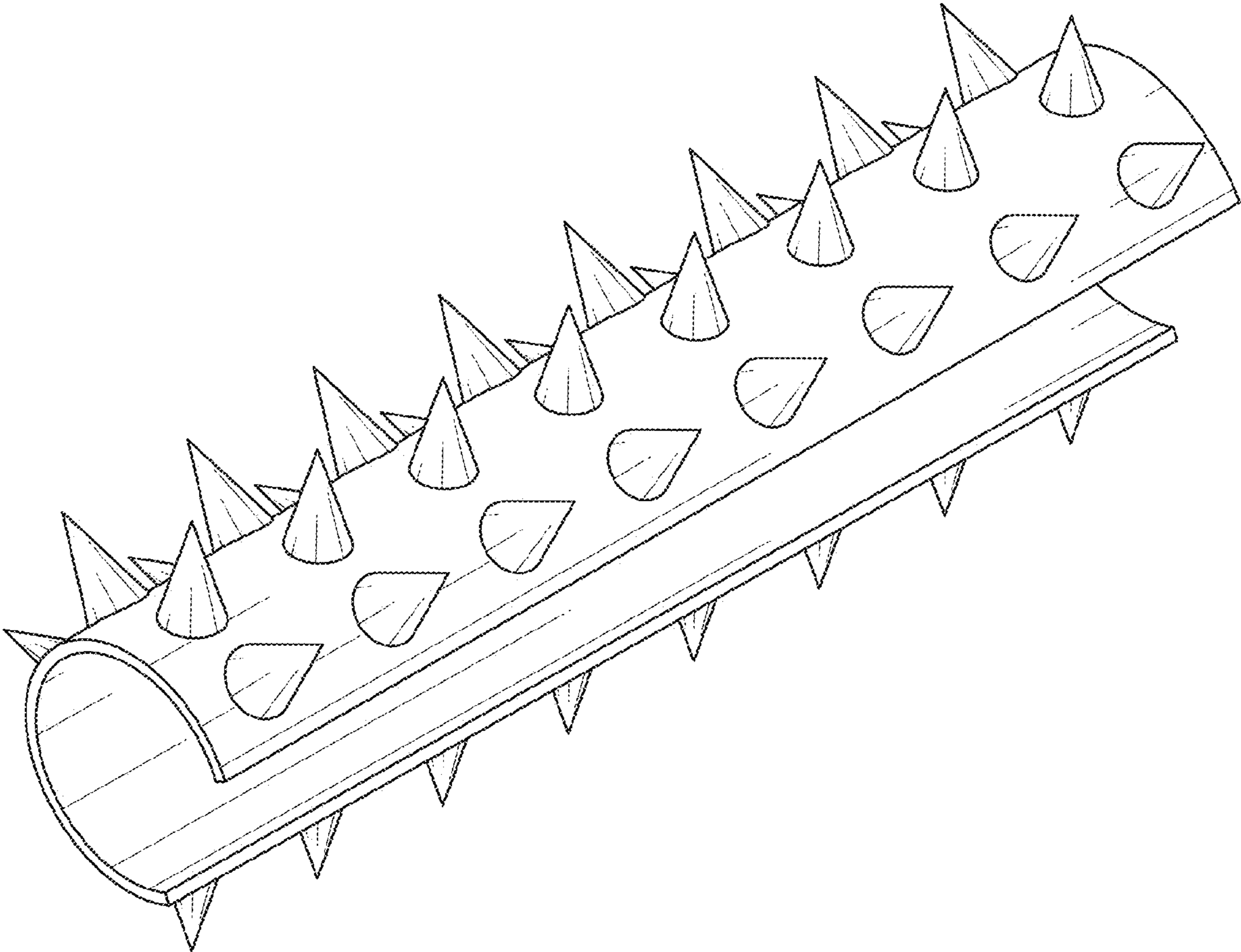


FIG. 1

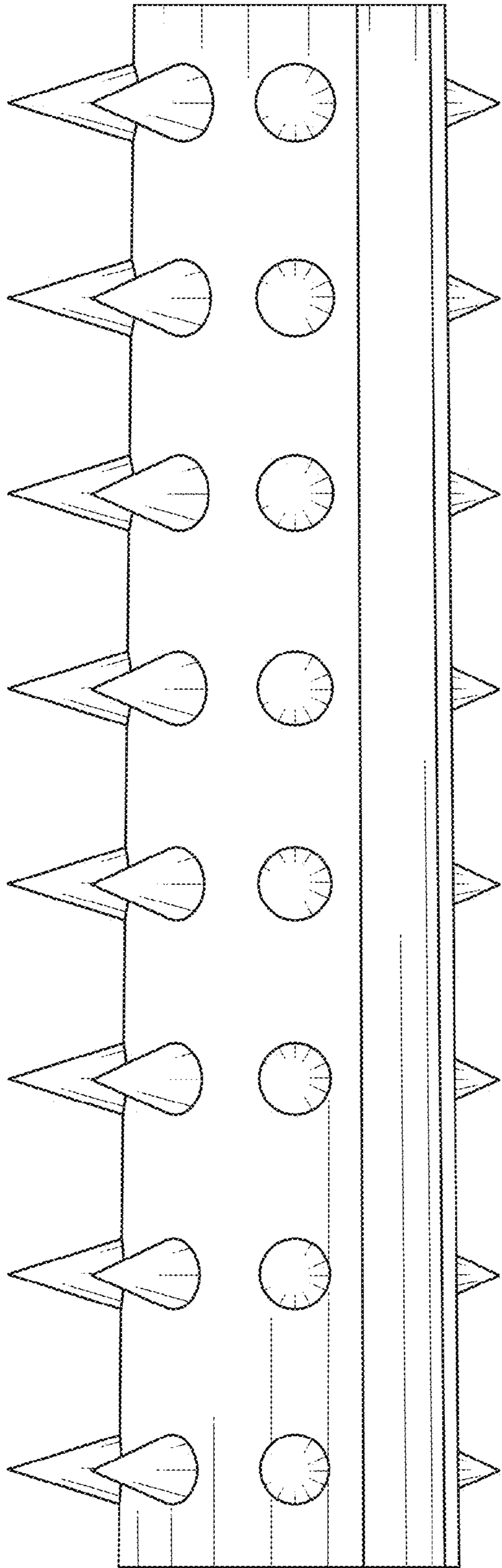


FIG. 2

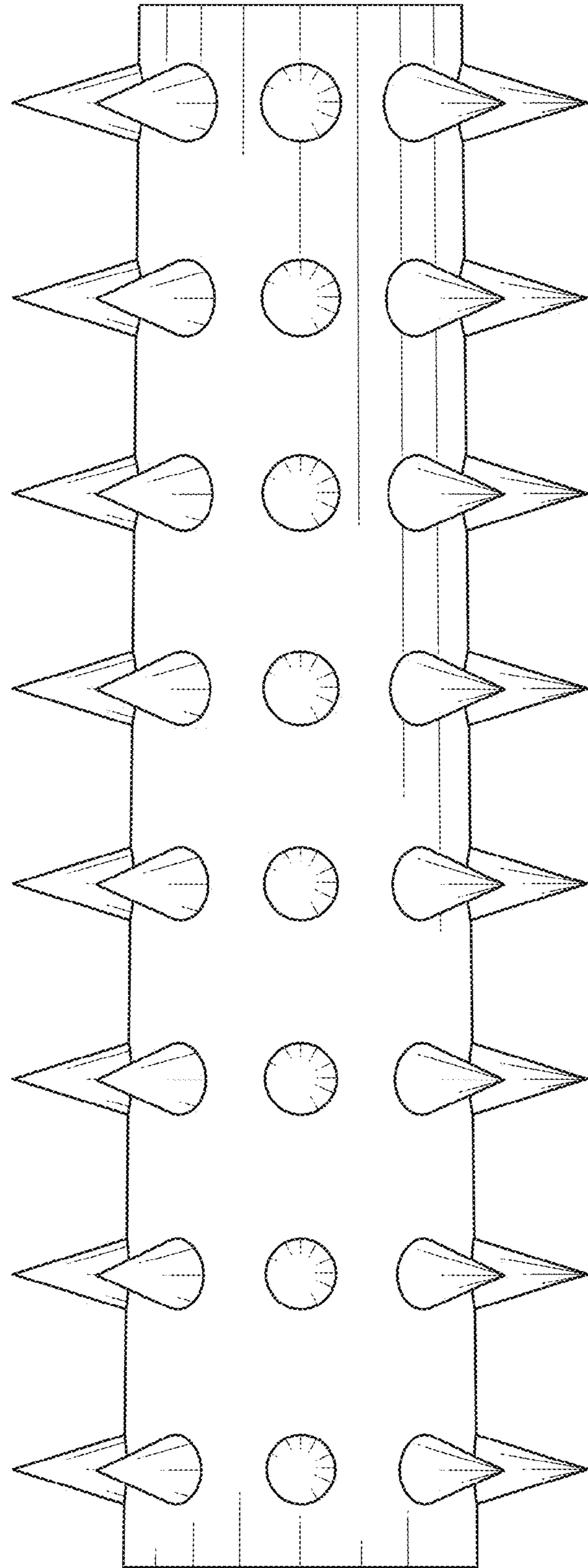


FIG. 3

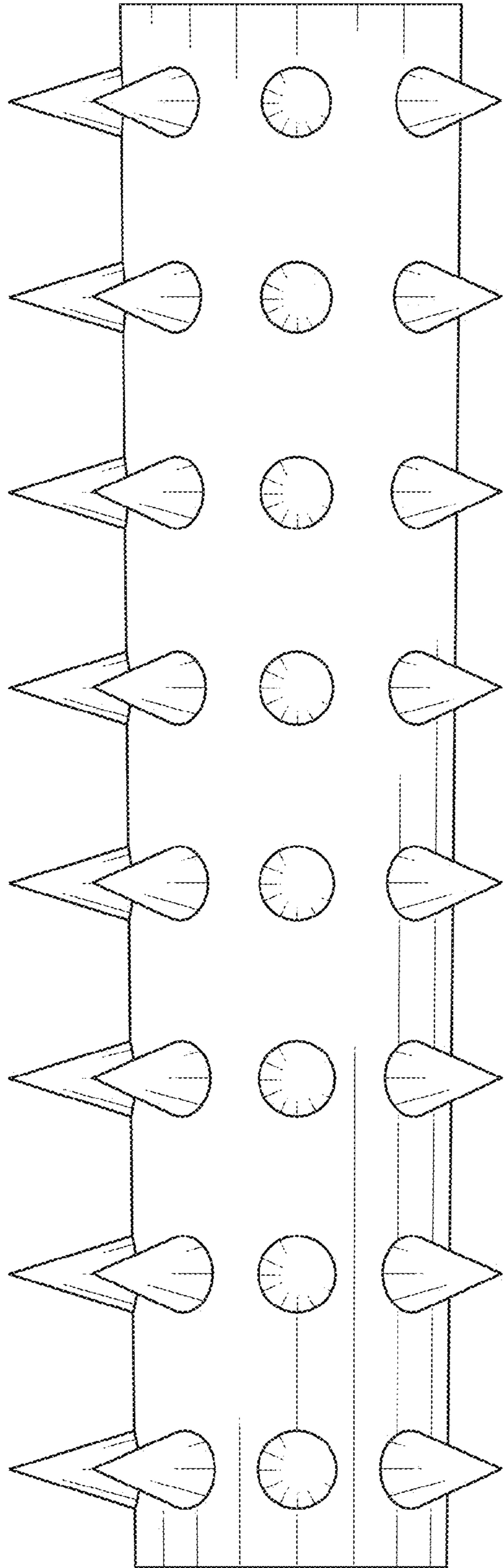


FIG. 4

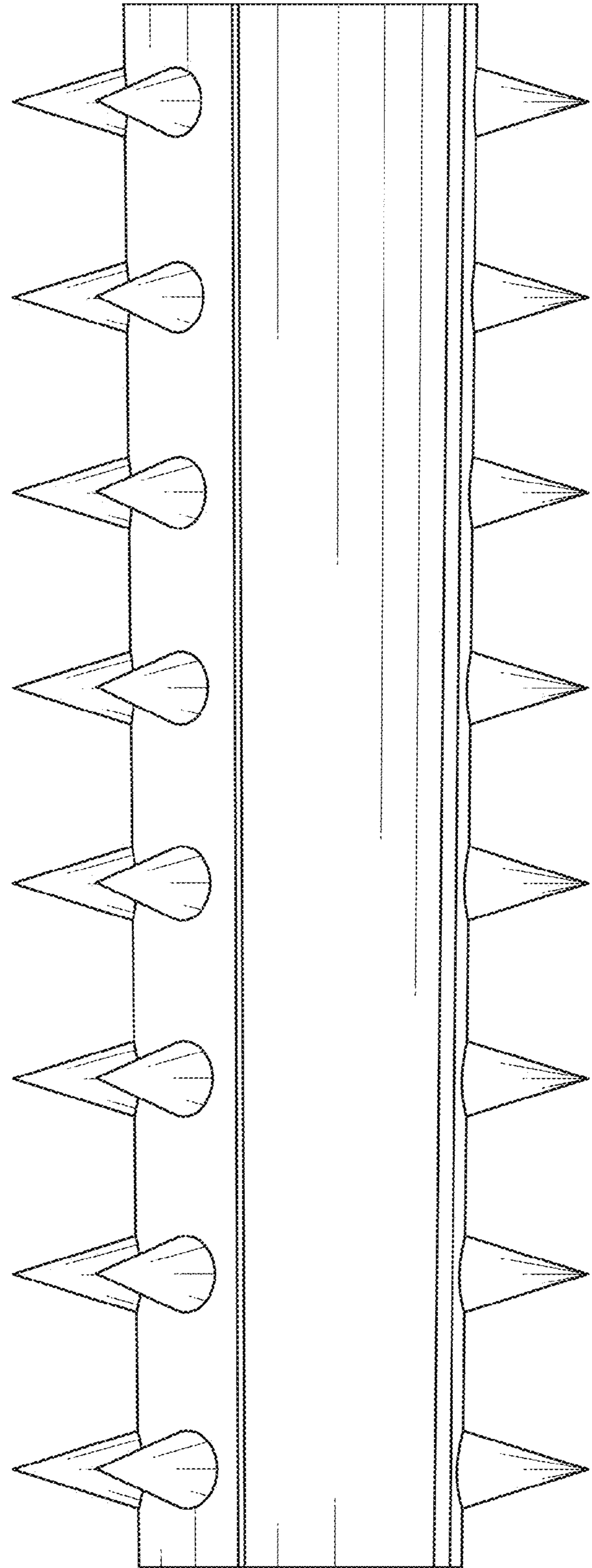


FIG. 5

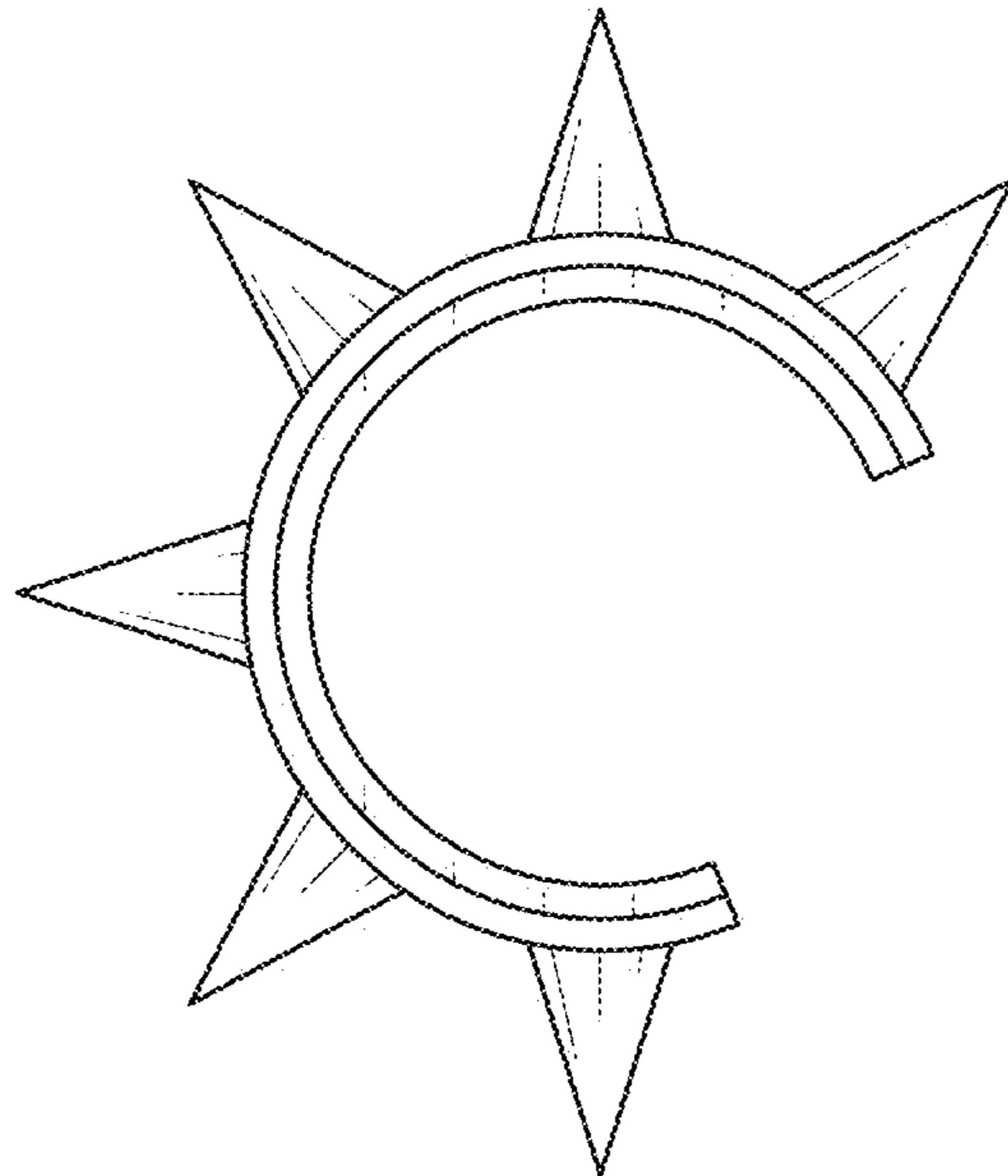


FIG. 6

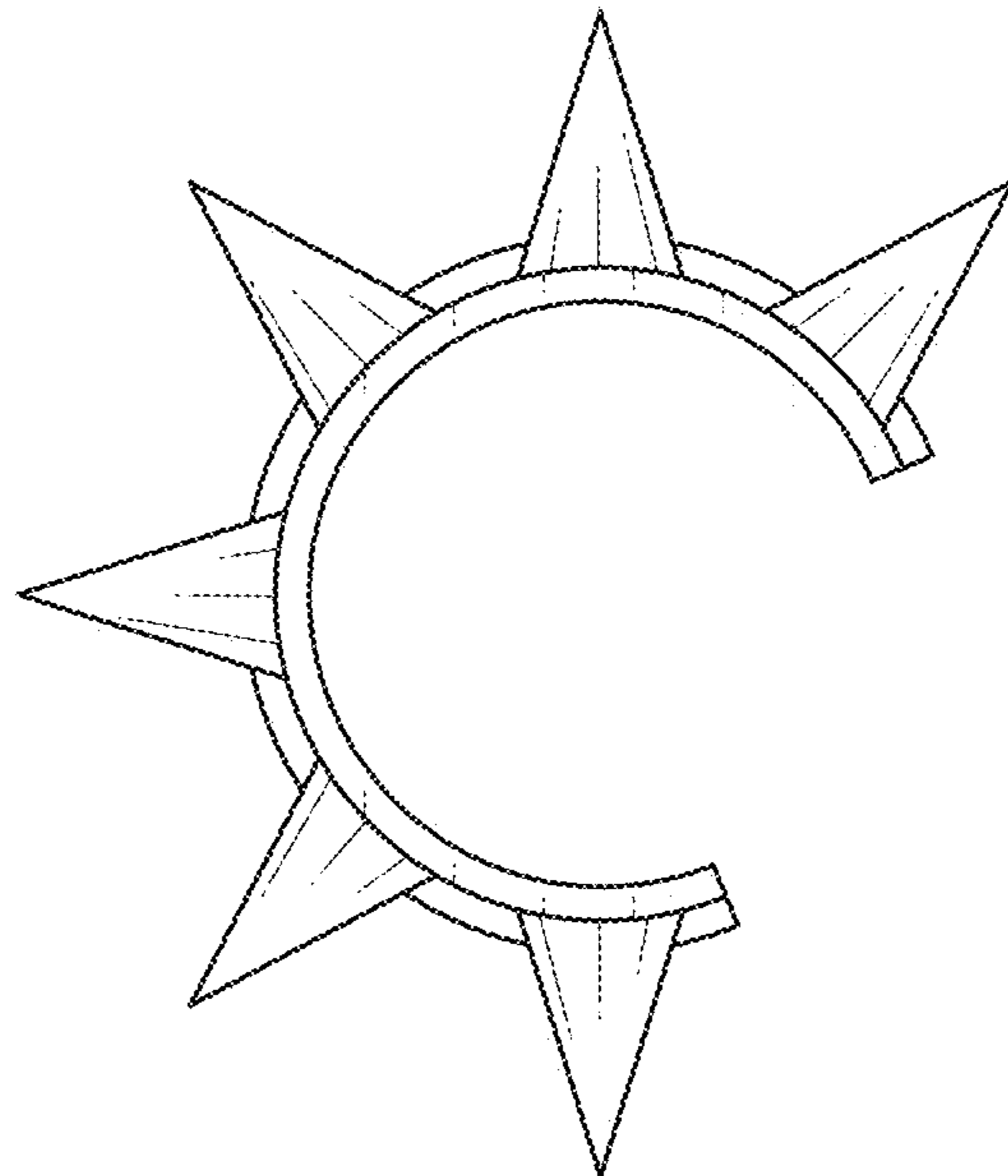


FIG. 7

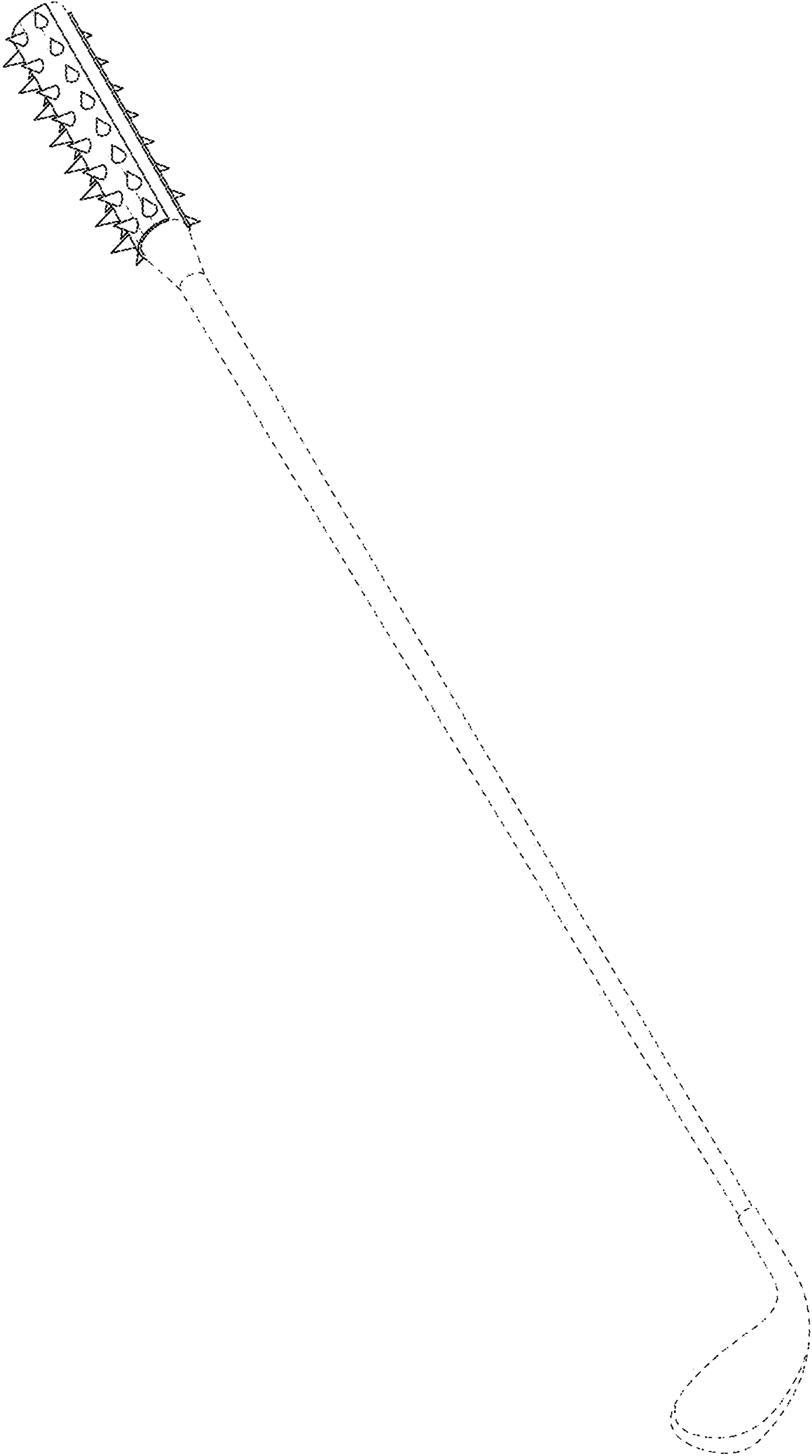


FIG. 8