



US00D934972S

(12) **United States Design Patent** (10) **Patent No.:** **US D934,972 S**
Chen (45) **Date of Patent:** **** Nov. 2, 2021**

(54) **GOLF HEAD**
(71) Applicant: **Yunjie Chen**, Longyan (CN)
(72) Inventor: **Yunjie Chen**, Longyan (CN)
(**) Term: **15 Years**
(21) Appl. No.: **29/766,651**
(22) Filed: **Jan. 17, 2021**
(51) **LOC (13) Cl.** **21-02**
(52) **U.S. Cl.**
USPC **D21/747**
(58) **Field of Classification Search**
USPC D21/736-752, 759
CPC A63B 53/00; A63B 53/04; A63B 53/007;
A63B 53/065; A63B 53/0487; A63B
53/02; A63B 53/047; A63B 53/0475;
A63B 2053/0479; A63B 2053/0483;
A63B 2053/0445; A63B 60/00; A63B
60/46

See application file for complete search history.

(56) **References Cited**

U.S. PATENT DOCUMENTS

D44,457 S * 8/1913 Taylor, Jr. D21/751
1,089,881 A * 3/1914 Taylor, Jr. A63B 60/00
473/328
D342,772 S * 12/1993 Koehler D21/740
D343,667 S * 1/1994 Koehler D21/742
5,280,911 A * 1/1994 Katayama A63B 60/00
473/328
D344,562 S * 2/1994 Koehler D21/742
5,390,924 A * 2/1995 Antonious A63B 60/00
473/328
D360,669 S * 7/1995 Buscemi D21/743
5,518,235 A * 5/1996 Mendenhall A63B 60/00
473/314
D459,424 S * 6/2002 Asplund A63B 53/047
D21/747

6,846,246 B2 * 1/2005 Asplund A63B 53/047
473/327
D524,889 S 7/2006 Yu et al.
D530,760 S 10/2006 Schweigert et al.
D572,790 S * 7/2008 Stites D21/759
D573,680 S * 7/2008 Stites D21/759
D592,716 S * 5/2009 Pedraza D21/736
D594,518 S 6/2009 Schweigert
D607,071 S 12/2009 Wada et al.
D638,894 S * 5/2011 Potter D21/759
D698,880 S * 2/2014 Donaghue D21/747
D746,926 S 1/2016 Parsons et al.
D765,809 S 9/2016 Peterson et al.
D776,216 S 1/2017 Schweigert et al.
D802,068 S 11/2017 Parsons et al.
D816,787 S 5/2018 Nicolette et al.
D820,934 S * 6/2018 Straub D21/791
D834,121 S 11/2018 Cameron, Jr.
D835,737 S 12/2018 Parsons et al.
D844,725 S * 4/2019 Oyler D21/747
D873,358 S 1/2020 Lee et al.

(Continued)

Primary Examiner — Mitchell I. Siegel

(74) Attorney, Agent, or Firm — Xiaofang Zhong; Law
Office of Xiaofang Zhong, PLLC

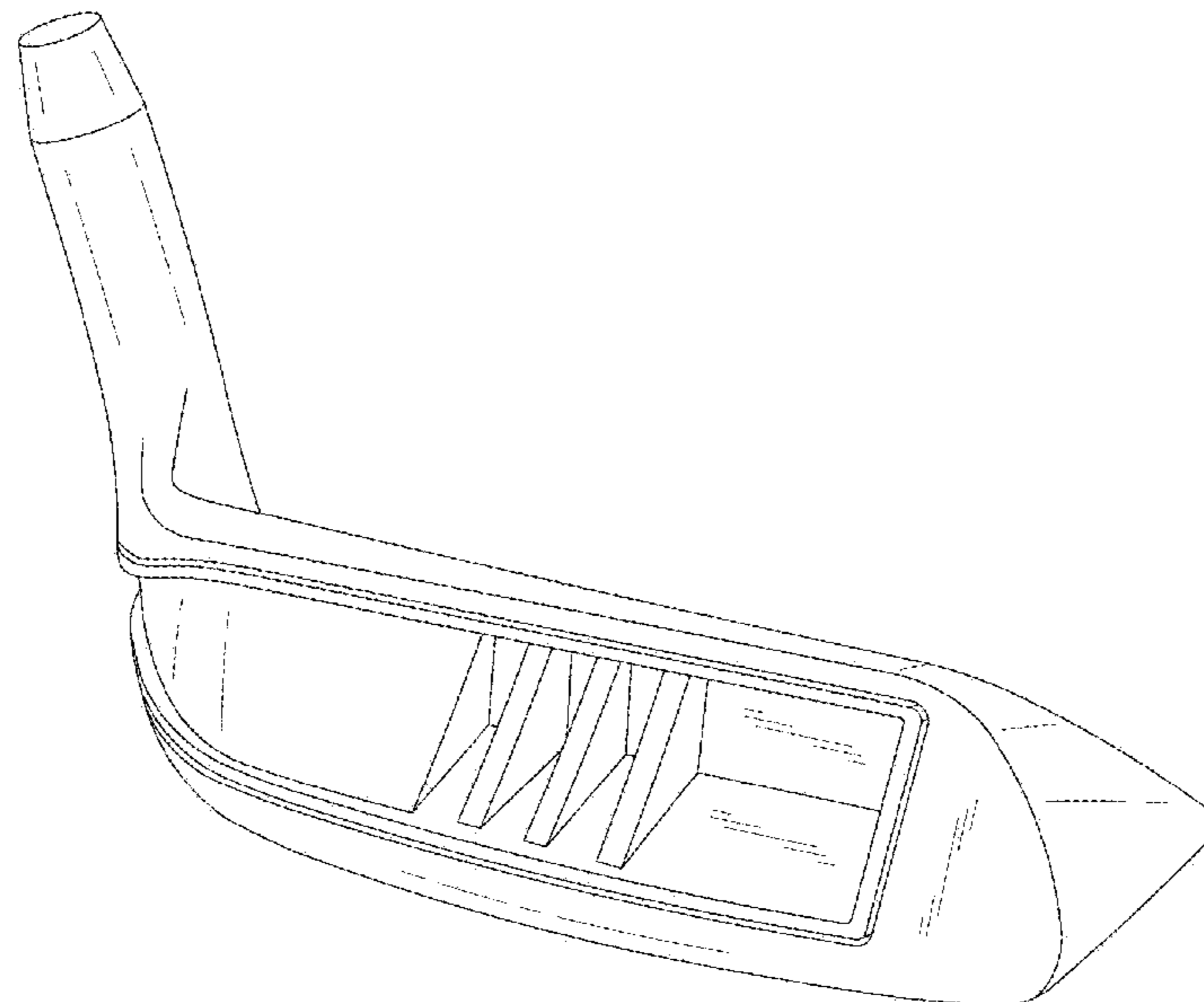
(57) **CLAIM**

The ornamental design for a golf head, as shown and
described.

DESCRIPTION

FIG. 1 is a perspective view of a golf head showing my new
design;
FIG. 2 is a back elevational view thereof;
FIG. 3 is a front elevational view thereof;
FIG. 4 is a left-side elevational view thereof;
FIG. 5 is a right-side elevational view thereof;
FIG. 6 is a bottom plan view thereof; and,
FIG. 7 is a top plan view thereof.
The broken lines in the drawings depict part of the golf head
that form no part of the claimed design.

1 Claim, 7 Drawing Sheets



(56)

References Cited

U.S. PATENT DOCUMENTS

D893,652 S	8/2020	Hoffman et al.	
D896,903 S	9/2020	Schweigert et al.	
D898,147 S	10/2020	Hoffman et al.	
D911,469 S *	2/2021	Agrella	D21/747
D911,474 S *	2/2021	Agrella	D21/759

* cited by examiner

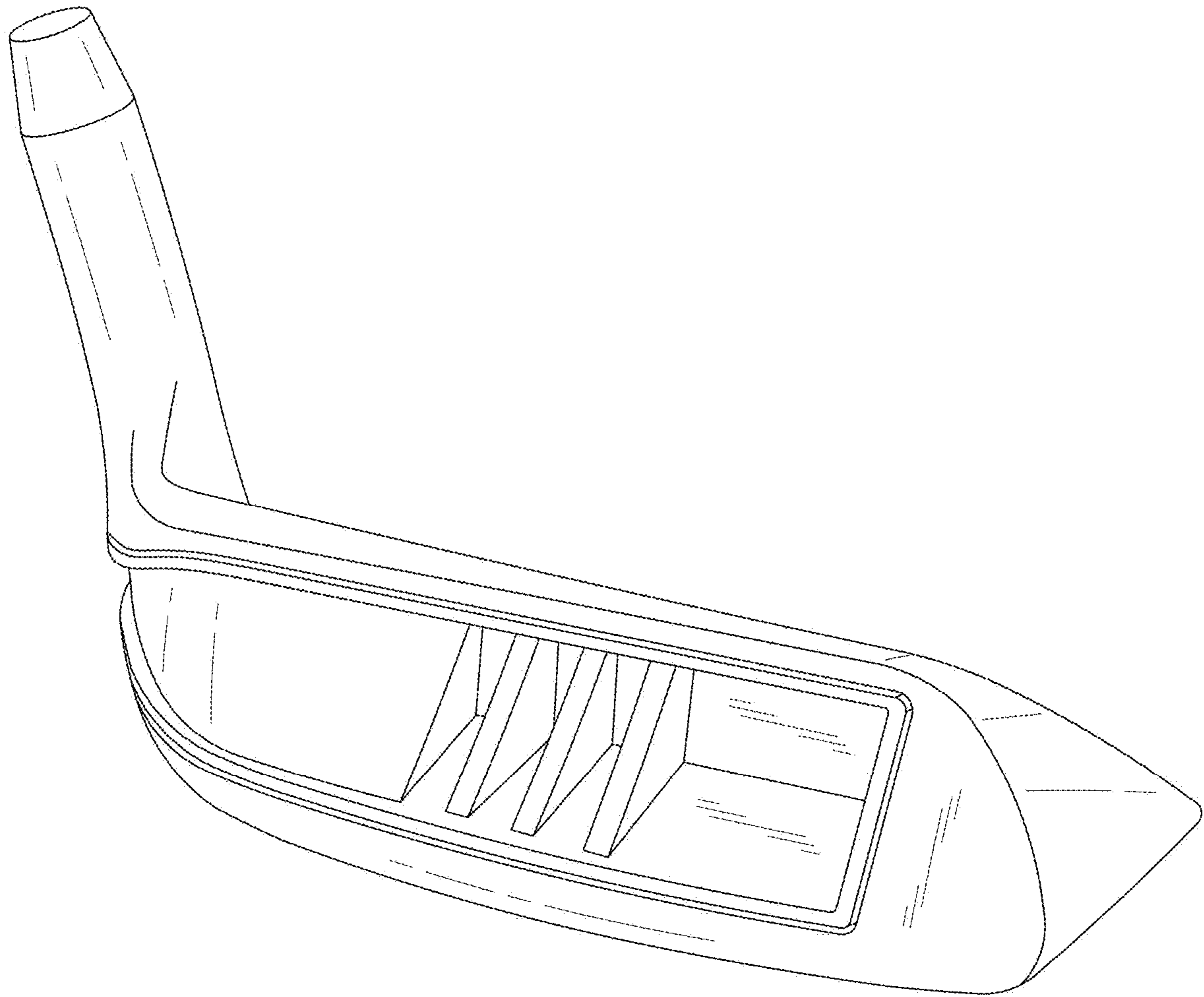


FIG. 1

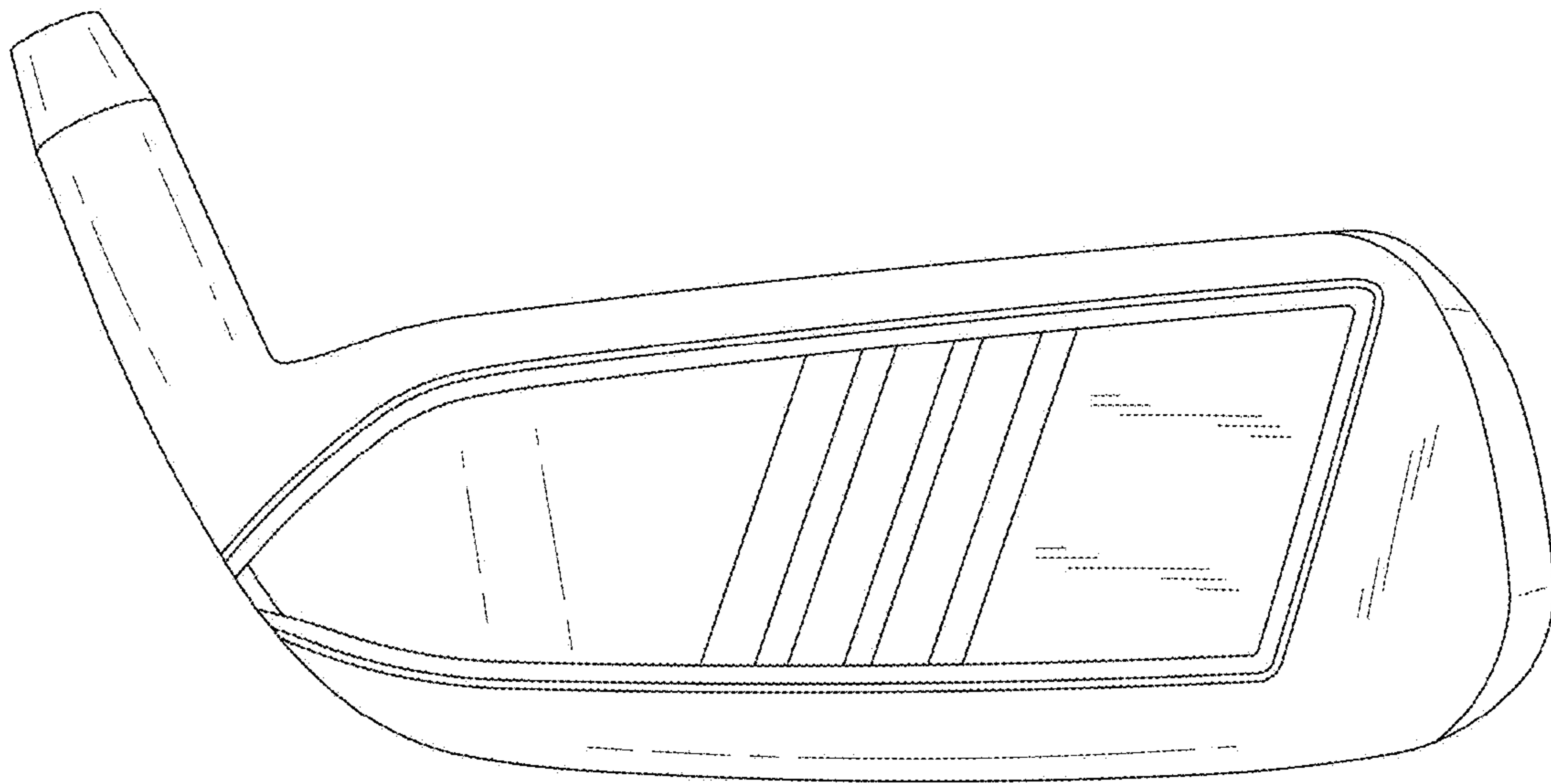


FIG. 2

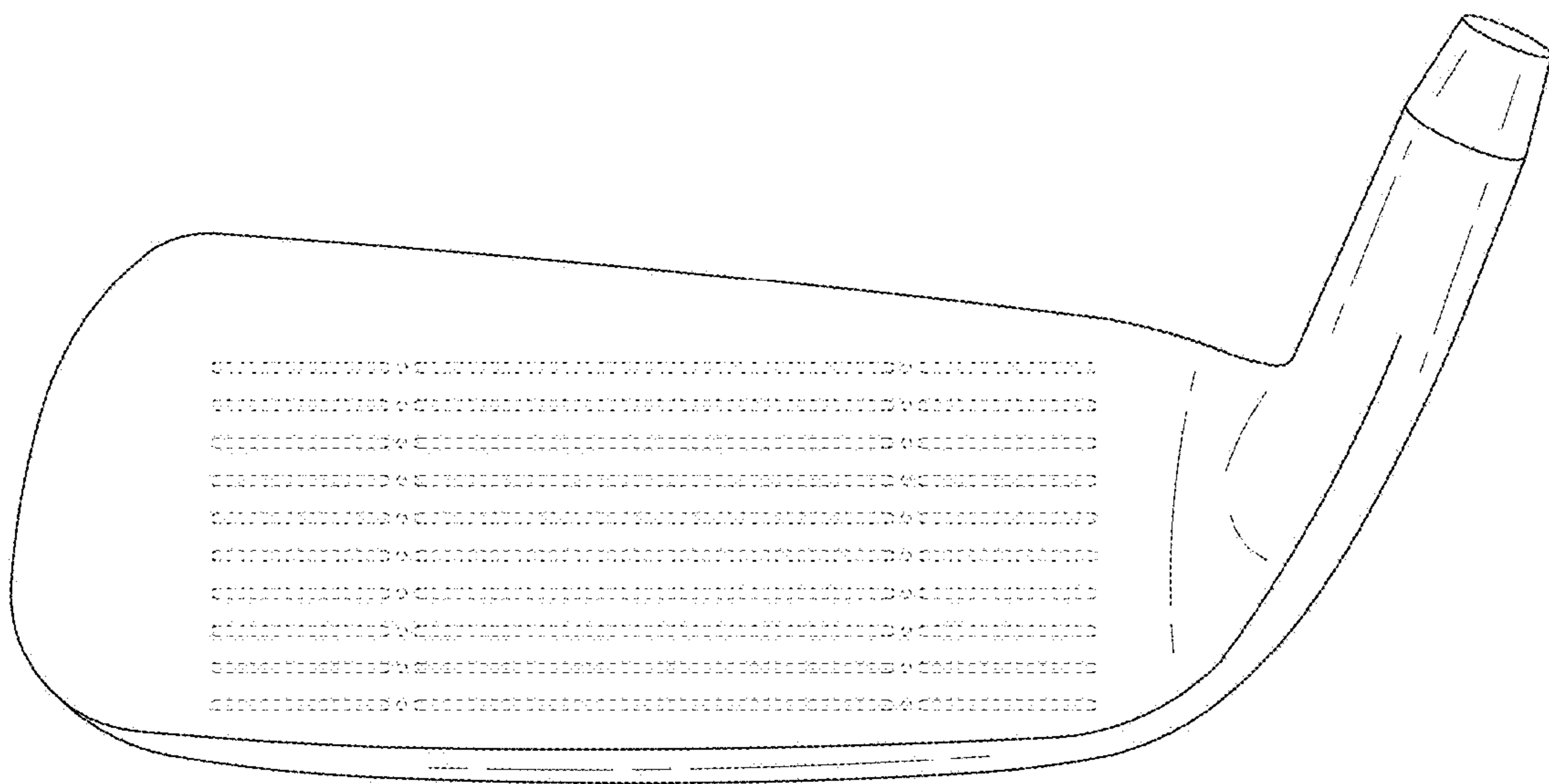


FIG. 3

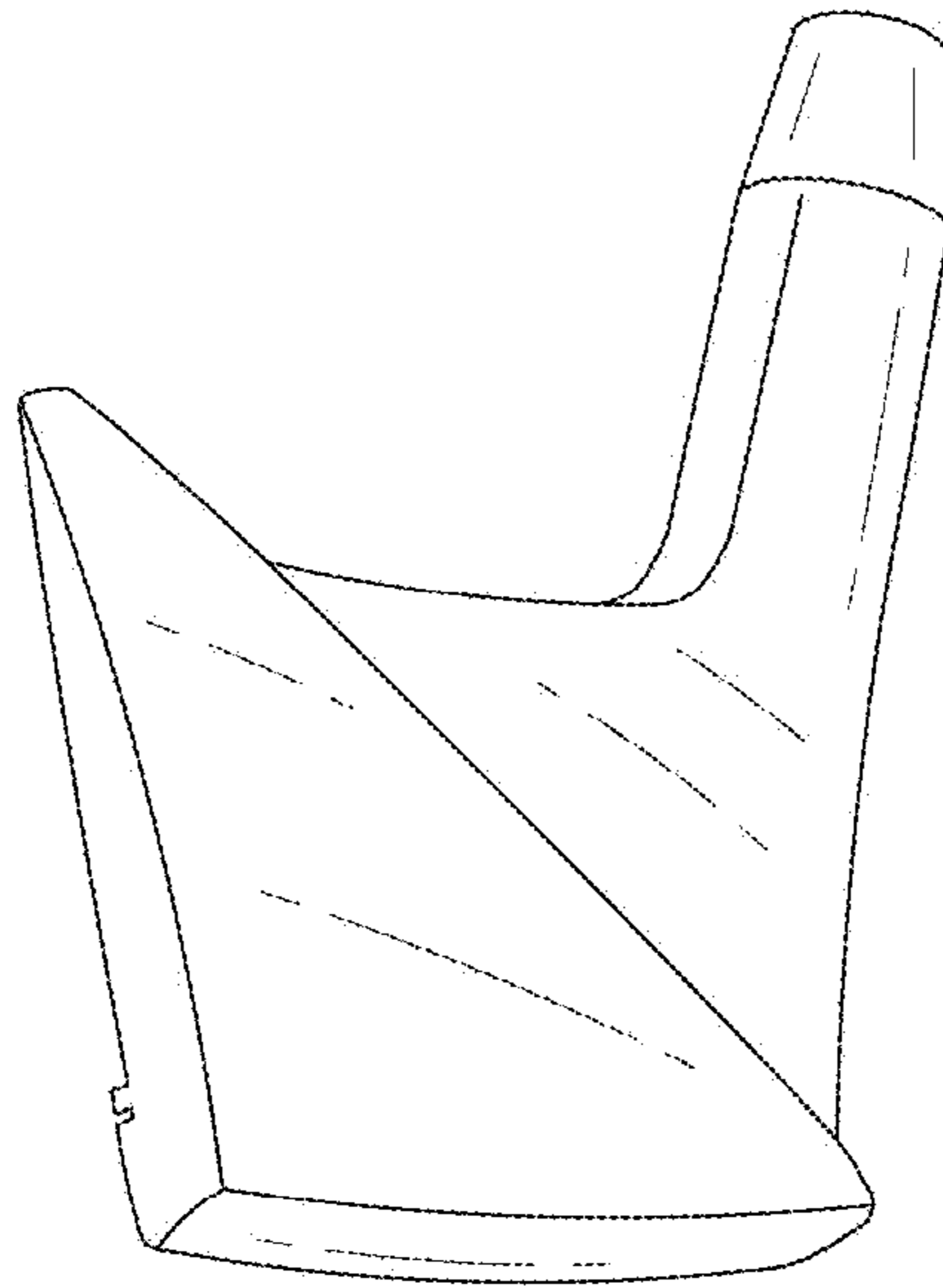


FIG. 4

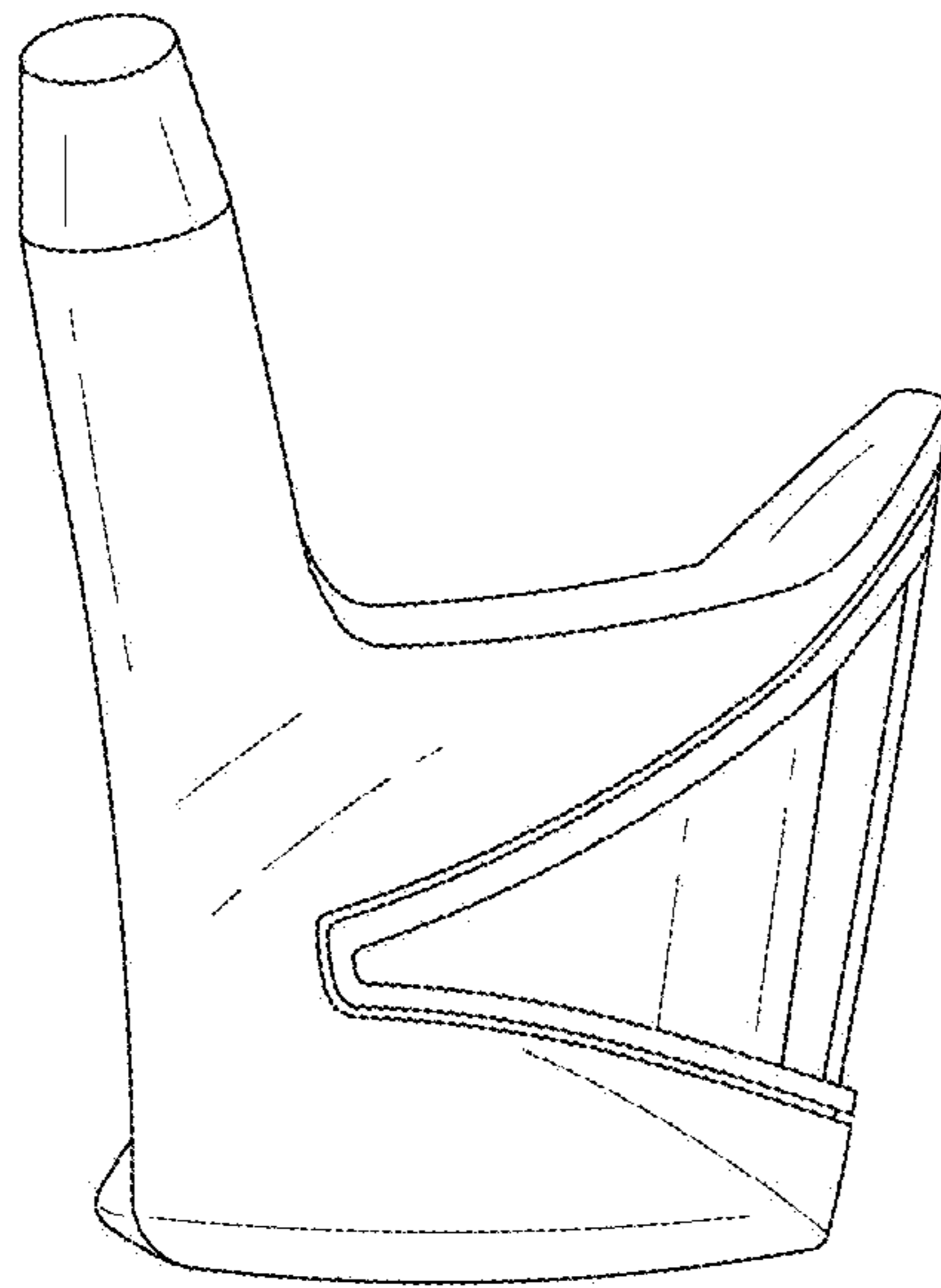


FIG. 5

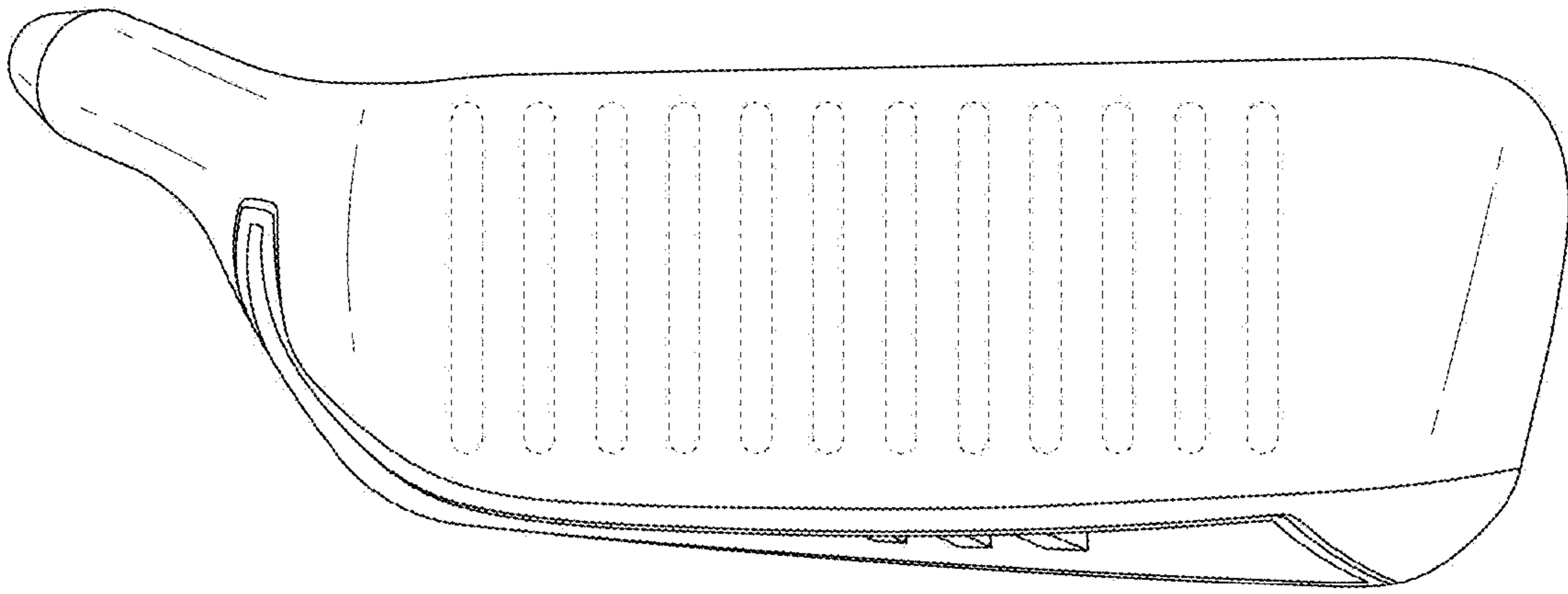


FIG. 6

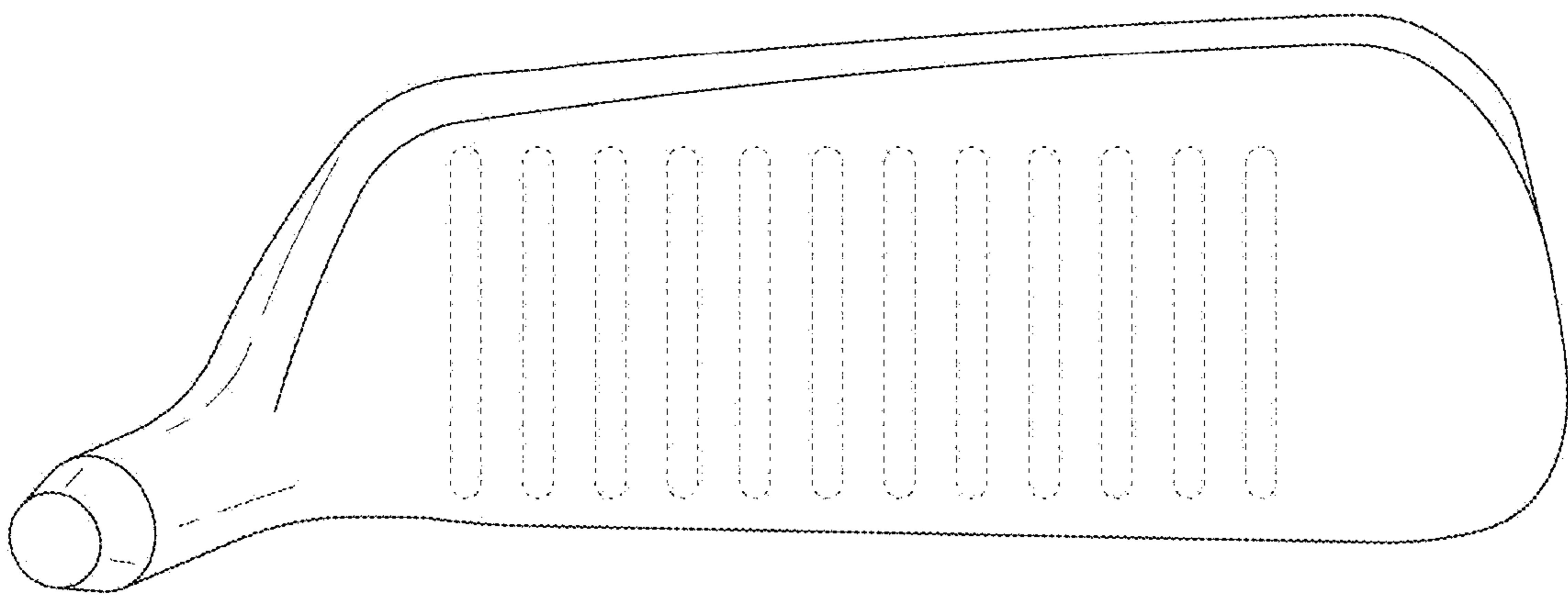


FIG. 7