



US00D934966S

(12) **United States Design Patent**  
**Sun**

(10) **Patent No.:** **US D934,966 S**

(45) **Date of Patent:** **\*\* Nov. 2, 2021**

(54) **EXERCISE BIKE PART**

(71) Applicant: **Ben Sun**, Zhejiang Province (CN)

(72) Inventor: **Ben Sun**, Zhejiang Province (CN)

(\*\*) Term: **15 Years**

(21) Appl. No.: **29/732,137**

(22) Filed: **Apr. 21, 2020**

(51) **LOC (13) Cl.** ..... **21-02**

(52) **U.S. Cl.**  
USPC ..... **D21/694**

(58) **Field of Classification Search**  
USPC ..... D21/432, 682, 694, 696, 697, 663, 664,  
D21/667; D8/303, 300, 315, 312, 321,  
D8/306; D12/107, 111, 114, 117, 118  
CPC ..... B62K 21/12  
See application file for complete search history.

(56) **References Cited**

**U.S. PATENT DOCUMENTS**

D433,966 S *	11/2000	Beigel	.....	D12/96
D448,326 S *	9/2001	Grove	.....	D12/110
D518,426 S *	4/2006	Beigel	.....	D12/181
D525,182 S *	7/2006	Beigel	.....	D12/181
D583,713 S *	12/2008	Schroeder	.....	D12/107
D626,900 S *	11/2010	Guay	.....	D12/173

D782,369 S *	3/2017	Fujimoto	.....	D12/126
D803,105 S *	11/2017	Tsuji	.....	D12/126
D840,279 S *	2/2019	Tako	.....	D12/126

\* cited by examiner

*Primary Examiner* — Khawaja Anwar

*Assistant Examiner* — Julice Seung Eun Oum

(74) *Attorney, Agent, or Firm* — ScienBiziP, P.C.

(57) **CLAIM**

The ornamental design for an exercise bike part, as shown and described.

**DESCRIPTION**

FIG. 1 is a front perspective view of an exercise bike part, showing my design.

FIG. 2 is a right and bottom perspective view thereof.

FIG. 3 is a front elevation view thereof.

FIG. 4 is a rear elevation view thereof.

FIG. 5 is a left side elevation view thereof.

FIG. 6 is a right side elevation view thereof.

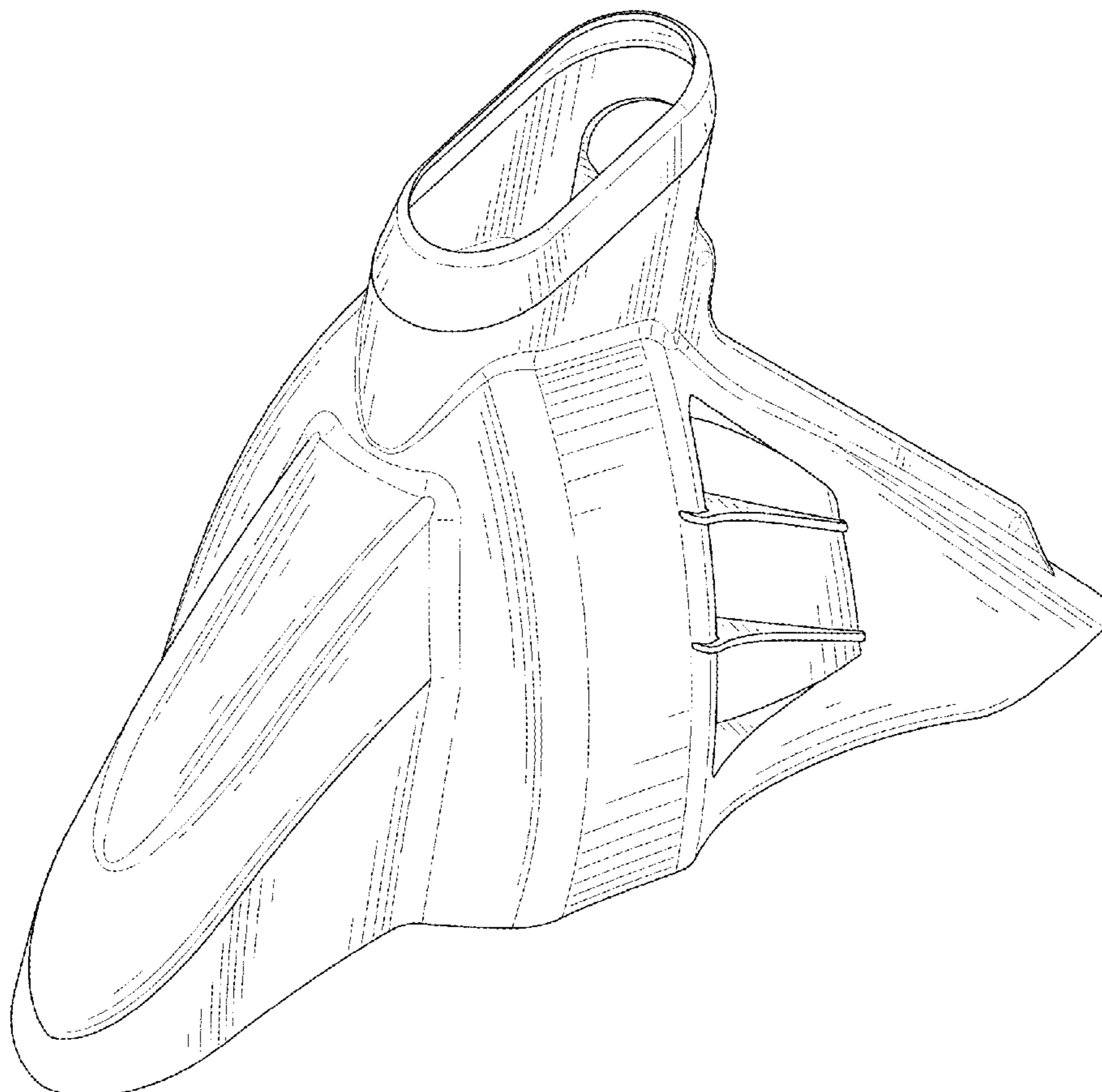
FIG. 7 is a top plan view thereof.

FIG. 8 is a bottom plan view thereof; and,

FIG. 9 is a reference view of the exercise bike part showing a status when the exercise bike part is assembled on an exercise bike.

The broken lines are for environmental structure, boundaries, or illustrative purposes only and form no part of the claimed designs to be patented.

**1 Claim, 9 Drawing Sheets**



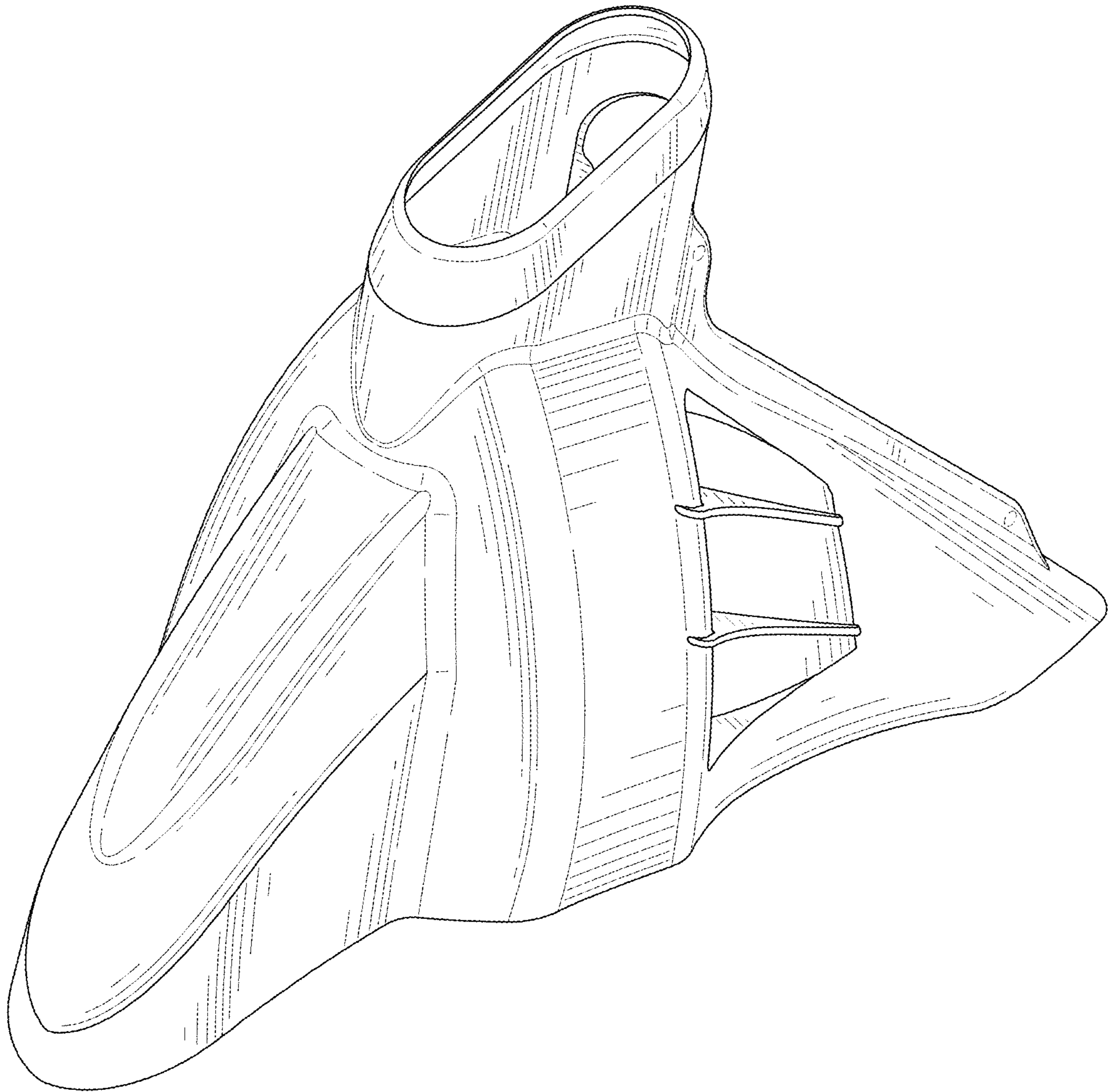


FIG. 1

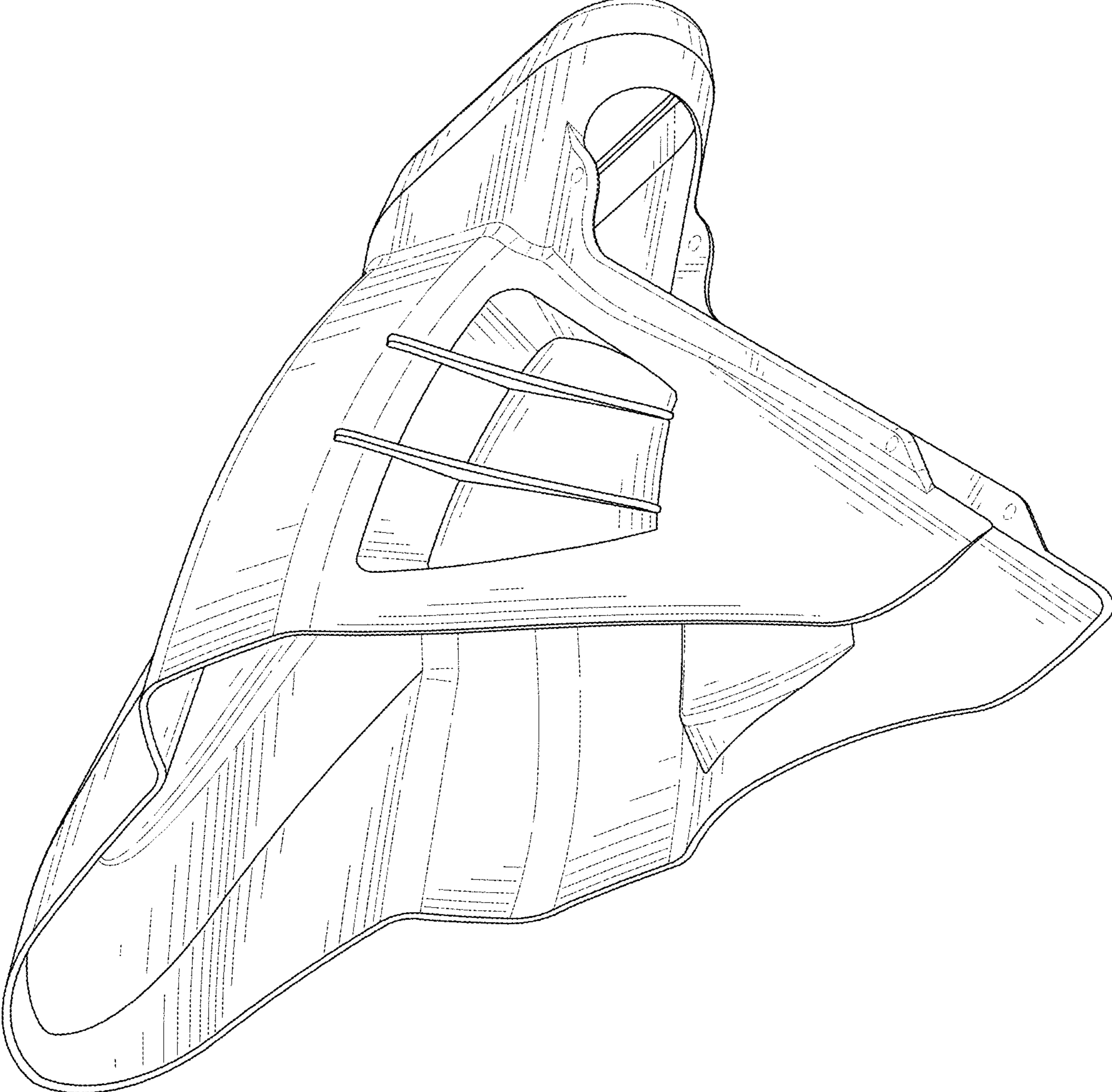


FIG. 2

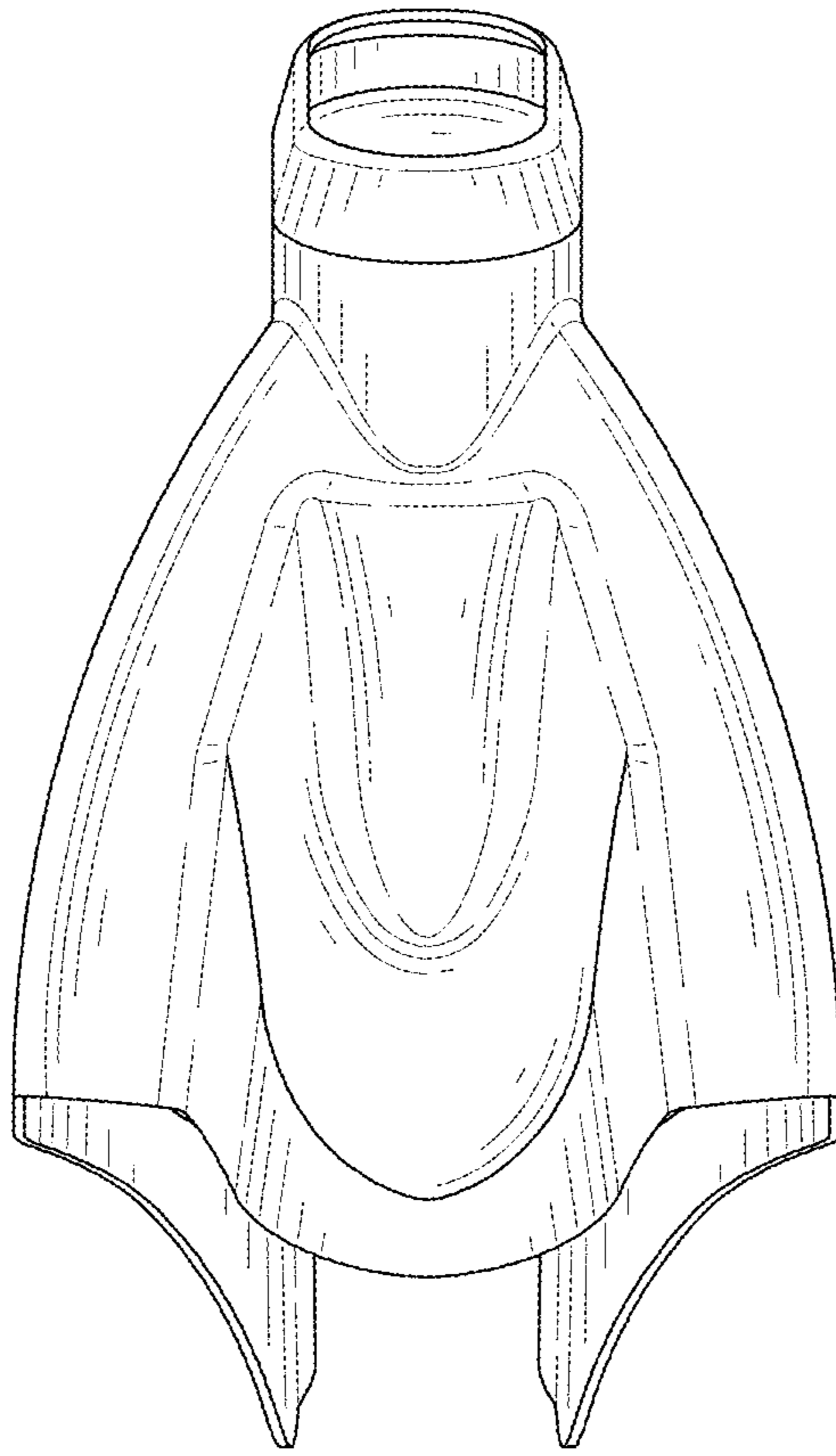


FIG. 3



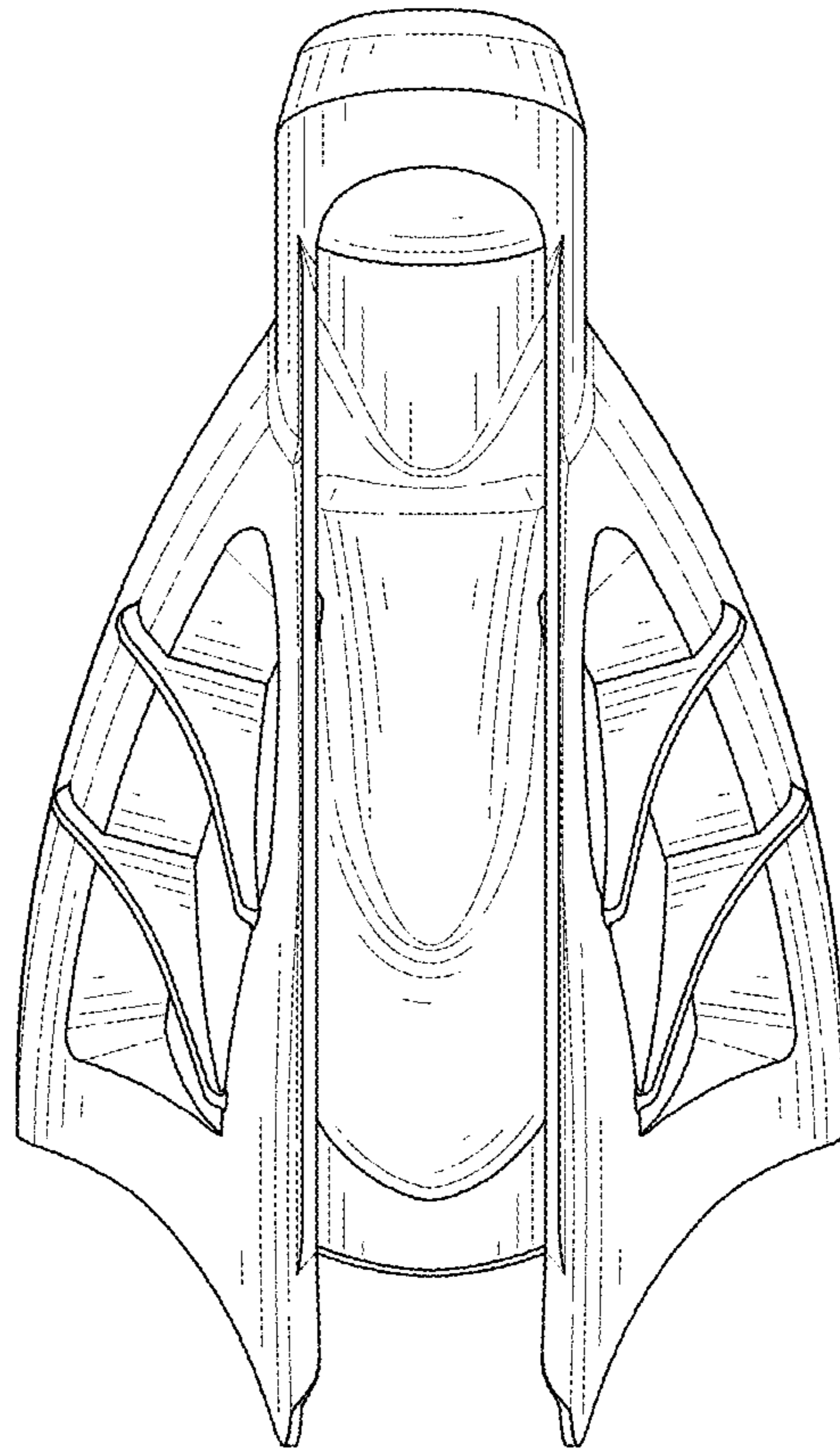


FIG. 4

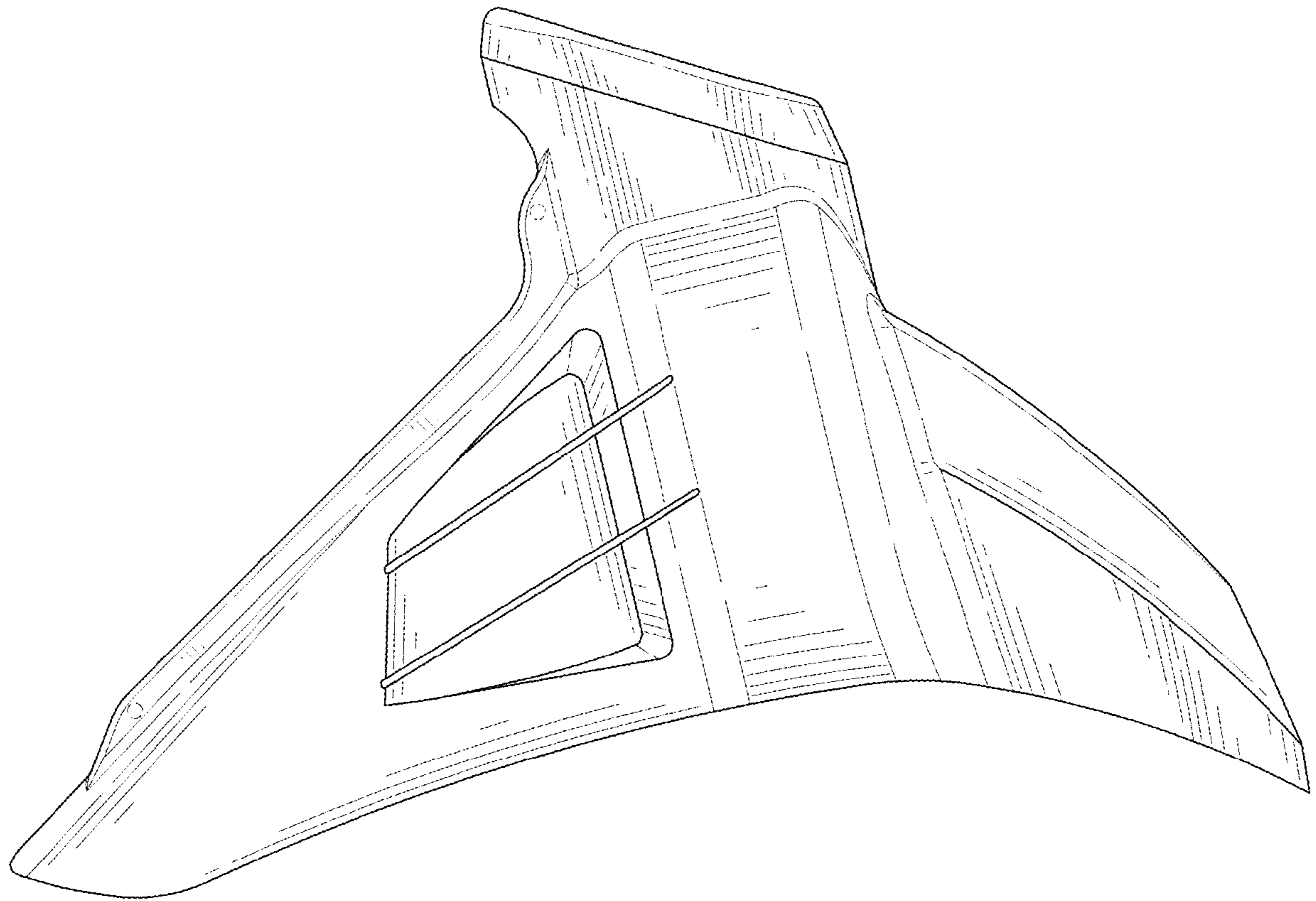


FIG. 5

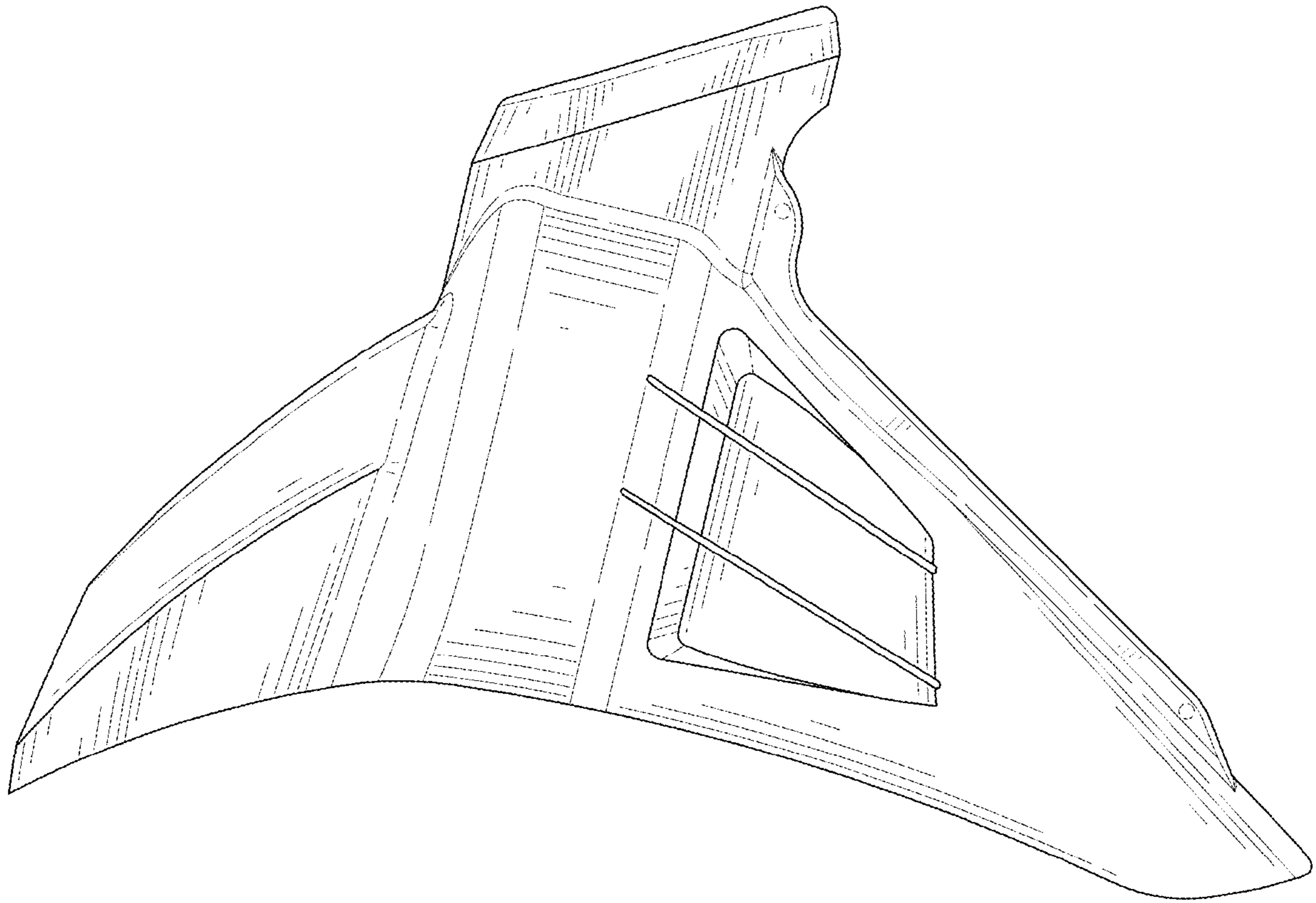


FIG. 6

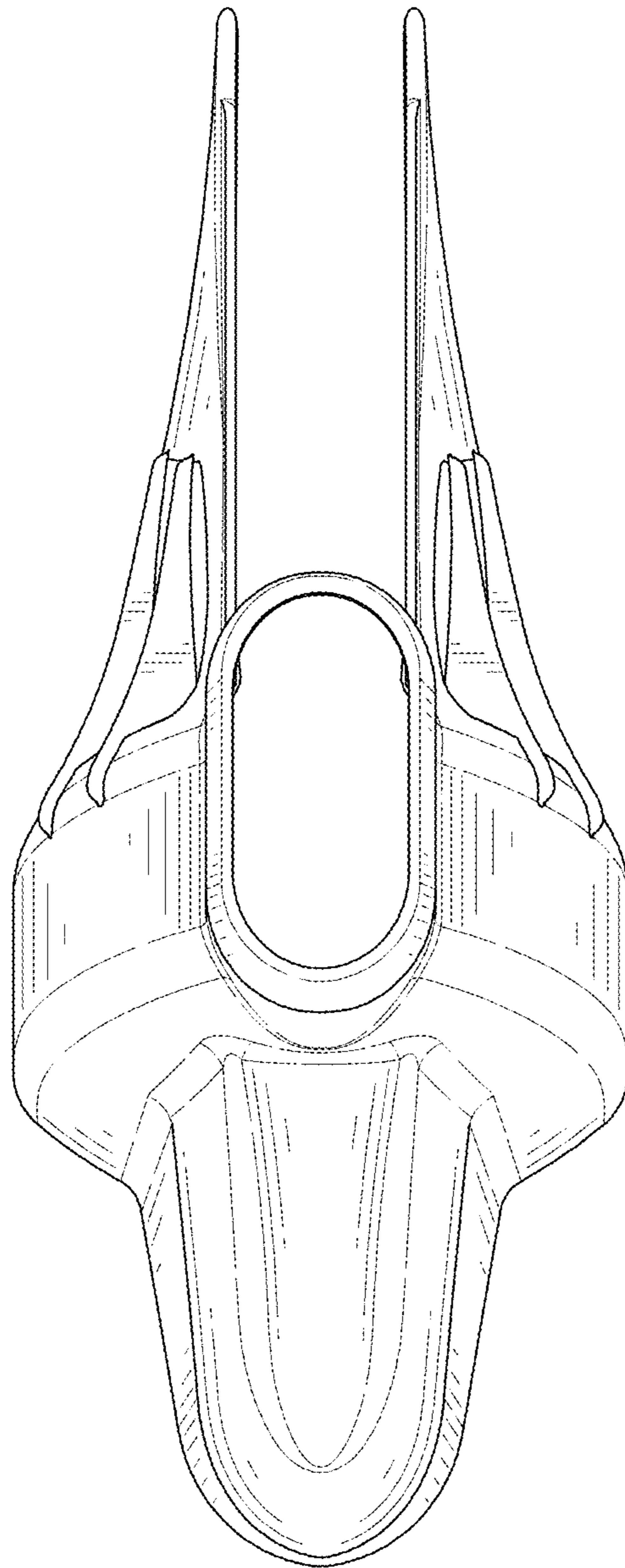


FIG. 7



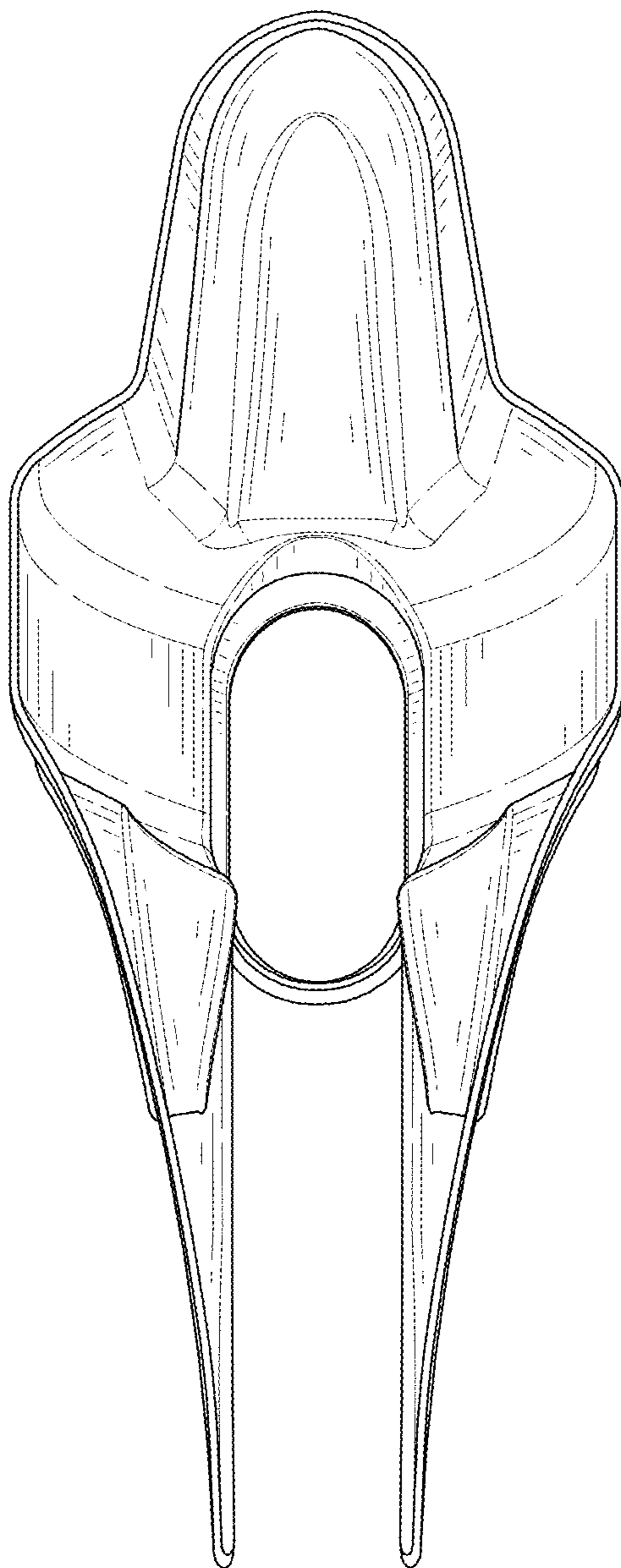


FIG. 8

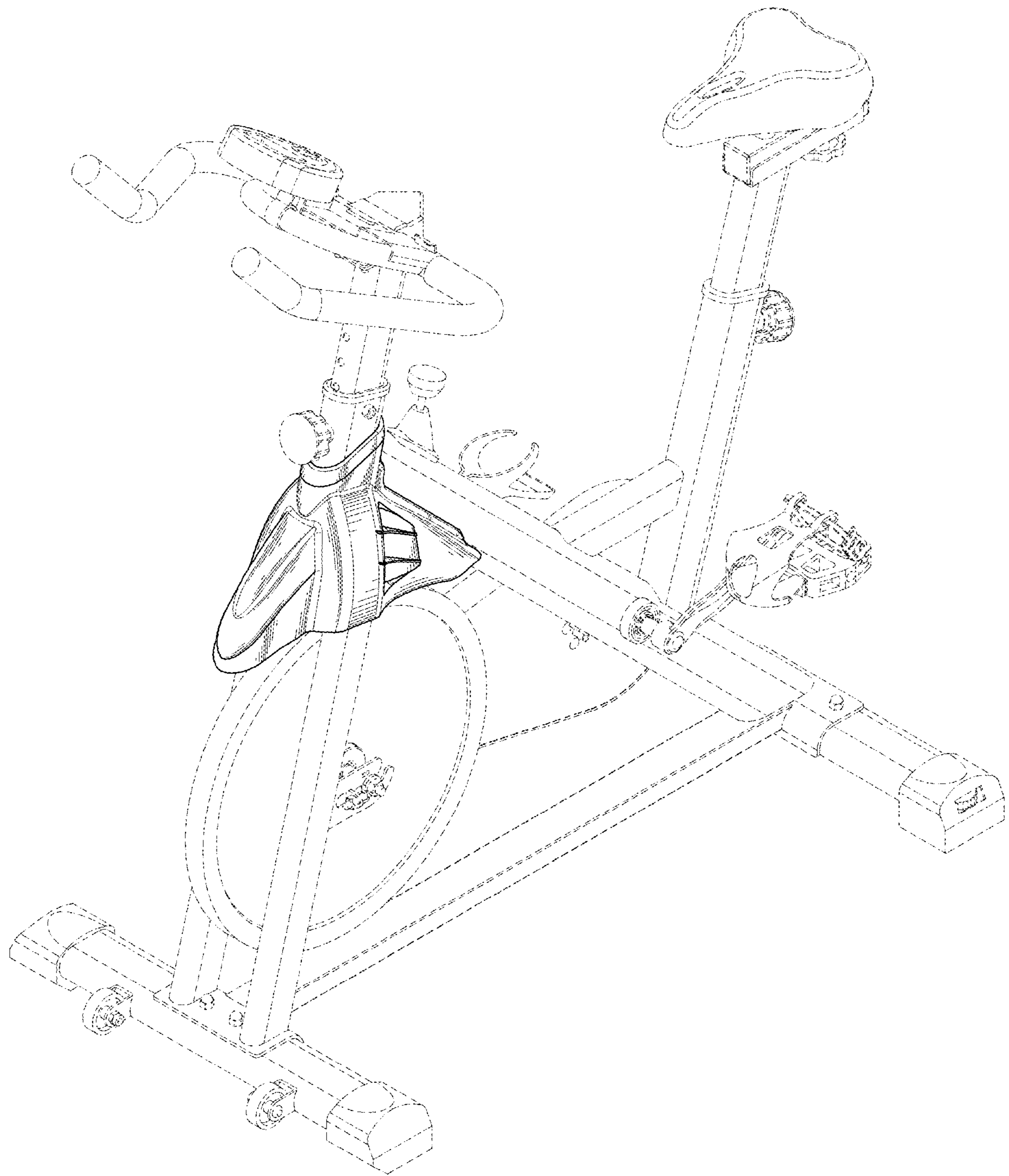


FIG. 9