



US00D934964S

(12) **United States Design Patent** (10) **Patent No.:** **US D934,964 S**
Moon et al. (45) **Date of Patent:** **** Nov. 2, 2021**

(54) **EXERCISE APPARATUS**

(71) Applicants: **Mitch Moon**, San Luis Obispo, CA (US); **Henry Moon**, San Luis Obispo, CA (US)

(72) Inventors: **Mitch Moon**, San Luis Obispo, CA (US); **Henry Moon**, San Luis Obispo, CA (US)

(**) Term: **15 Years**

(21) Appl. No.: **29/755,649**

(22) Filed: **Oct. 21, 2020**

(51) **LOC (13) Cl.** **21-02**

(52) **U.S. Cl.**
USPC **D21/692; D21/694**

(58) **Field of Classification Search**
USPC D21/468, 679, 684, 685, 692, 693, 694, D21/798, 714, 713, 709, 681, 680, 677, D21/662; D10/84; 482/93, 91, 50, 49, 482/46, 45, 44, 128, 127, 126, 122, 121
CPC A63B 21/4035; A63B 23/16; A63B 23/14; A63B 21/00069; A63B 21/0004; A63B 21/023; G09B 15/06
See application file for complete search history.

(56) **References Cited**

U.S. PATENT DOCUMENTS

1,023,756 A 4/1912 Pons
2,106,994 A * 2/1938 Chapman A63B 21/05
482/126
2,668,055 A * 2/1954 Sharp A63B 23/14
482/46
3,006,646 A * 10/1961 Menotti A63B 21/0624
482/45

(Continued)

FOREIGN PATENT DOCUMENTS

JP 2001029505 A1 7/1999
JP 2007195904 A1 8/2007

(Continued)

OTHER PUBLICATIONS

Yellow stone by yellow stone dated no date given. Found online [Jul. 27, 2021] <https://yellowstonevalleywoman.com/springing-into-fitness>.*

(Continued)

Primary Examiner — Ryan Harvey
(74) *Attorney, Agent, or Firm* — TMB Law; Timothy M. Brown

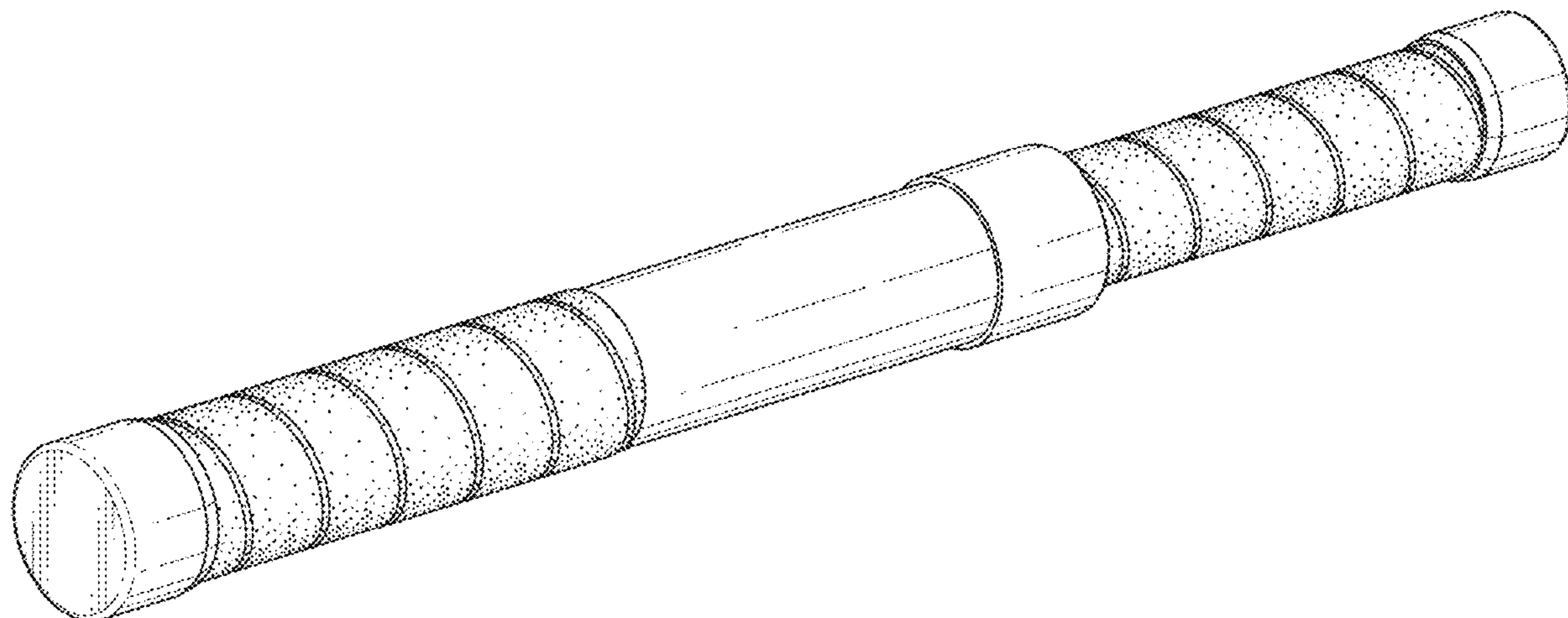
(57) **CLAIM**

The ornamental design for an exercise apparatus, as shown and described.

DESCRIPTION

FIG. 1 is a front, top perspective view of the exercise apparatus of the new design with the apparatus in a contracted position;
FIG. 2 is front elevation view of the apparatus of FIG. 1 in a contracted position;
FIG. 3 is a rear elevation view of the apparatus of FIG. 1 in a contracted position;
FIG. 4 is a front elevation view of the apparatus of FIG. 1 with the apparatus in an extended position;
FIG. 5 is a rear elevation view of the apparatus of FIG. 1 with the apparatus in an extended position;
FIG. 6 is a top plan view of the apparatus of FIG. 1 in a contracted position;
FIG. 7 is a bottom plan view of the apparatus of FIG. 1 in a contracted position;
FIG. 8 is left side elevation view of the apparatus of FIG. 1; and,
FIG. 9 is right side elevation view of the apparatus of FIG. 1.
The broken lines illustrate portions of the exercise apparatus which form no part of the claimed design.

1 Claim, 4 Drawing Sheets



US D934,964 S

(56)

References Cited

U.S. PATENT DOCUMENTS

3,069,161 A *	12/1962	Melchiona	A63B 23/14	482/46	D357,952 S	3/1995	Chen	
3,084,547 A *	4/1963	Nielsen	A63B 23/14	73/379.08	D358,856 S	5/1995	Boettger	
3,132,861 A *	5/1964	Horney	A63B 21/023	482/46	5,480,367 A	1/1996	Bergman	
3,184,234 A *	5/1965	Struble	A63B 23/14	482/46	5,484,368 A	1/1996	Chang	
3,211,453 A *	10/1965	Williams	A63B 23/14	482/46	5,569,125 A	10/1996	Clementi	
3,330,558 A *	7/1967	Simons, Jr.	A63B 23/14	482/46	5,569,137 A *	10/1996	Uen A63B 21/0004
3,396,967 A *	8/1968	Brown	A63B 21/0455	482/46	5,620,398 A *	4/1997	Moriarty A63B 21/153
3,510,130 A *	5/1970	Ferdinand	A63B 21/00043	482/46	5,643,158 A	7/1997	Clementi	
3,666,267 A *	5/1972	McKinney	A63B 21/015	482/46	5,690,598 A *	11/1997	Liang A63B 23/14
3,708,164 A *	1/1973	Griffin	A63B 23/14	482/46	5,700,232 A	12/1997	Clausen	
3,717,338 A *	2/1973	Hughes	A63B 23/14	482/46	5,743,830 A *	4/1998	Ho A63B 21/0004
3,741,539 A *	6/1973	Hutchins	A63B 21/05	482/126	5,776,034 A *	7/1998	Stamler A63B 23/14
3,746,339 A	7/1973	Cox				5,788,608 A	8/1998	Wilkinson	
3,938,803 A	2/1976	Wilmouth				D420,072 S *	2/2000	Hershey D21/684
D247,789 S	4/1978	Belkir				6,062,382 A	5/2000	Czerkie	
4,095,789 A *	6/1978	Mueller	A63B 23/14	482/127	D428,946 S	8/2000	Boorstein	
4,148,479 A	4/1979	Spector				6,106,438 A	8/2000	Dean	
4,155,547 A	5/1979	Savio				6,179,749 B1 *	1/2001	Thorn A63B 21/05
4,193,593 A	3/1980	Wilson				D438,266 S *	2/2001	Levrett D21/684
4,211,404 A *	7/1980	Blowsky	A63B 21/00043	482/128	D442,504 S *	5/2001	Stevens D10/84
4,211,405 A	7/1980	Blowsky				D451,564 S	12/2001	Dean	
4,249,729 A *	2/1981	Gabrielidis	A63B 21/00043	473/464	D456,864 S	5/2002	Dantolan	
D262,129 S	12/1981	Kolbel				6,390,959 B1 *	5/2002	Tornabene A63B 21/00043
D263,327 S	3/1982	Cooper				6,402,667 B1	6/2002	Dahn	
D267,261 S *	12/1982	Pataluch	D21/679		D460,795 S	7/2002	Fitzpatrick	
D270,263 S	8/1983	Kolbel				D470,201 S	2/2003	Paull	
D274,925 S	7/1984	Holcomb				6,561,959 B2 *	5/2003	Batiste A63B 21/0004
4,489,937 A *	12/1984	Kong	A63B 21/00043	482/126	6,702,725 B2	3/2004	Hoffman	
D278,548 S	4/1985	Backstrom				D500,101 S	12/2004	Fitzgerald	
D281,446 S	11/1985	Keilman				D508,097 S *	8/2005	Perez D21/662
4,580,778 A	4/1986	Van Noord				7,361,126 B2	4/2008	Bruce	
4,591,151 A *	5/1986	Hensley	A63B 23/14	482/126	D610,637 S	2/2010	Ford	
D285,329 S	8/1986	Boettger				7,704,198 B2	4/2010	Brown, Jr.	
4,643,417 A *	2/1987	Nieman	A63B 21/015	482/46	D633,155 S	2/2011	Brun	
4,651,985 A *	3/1987	Salisbury	A63B 21/00043	482/122	D639,357 S	6/2011	Brun	
4,695,049 A *	9/1987	Ciemiega	A63B 23/14	482/115	8,152,697 B2	4/2012	Wakuda	
4,702,474 A *	10/1987	Guibert	A63B 21/0004	482/126	8,231,508 B1 *	7/2012	Rousseau A63B 21/00069
4,838,542 A *	6/1989	Wilkinson	A63B 21/075	482/108	D666,257 S	8/2012	Seraydarian	
4,856,776 A *	8/1989	Ching-Liang	A63B 21/045	482/122	D669,545 S	10/2012	Miller	
D304,057 S	10/1989	Cooper				D694,348 S	11/2013	Rankin	
4,913,417 A *	4/1990	Franco	A63B 23/14	482/45	8,602,952 B1	12/2013	Cruz	
D313,827 S	1/1991	Smith				8,747,286 B1 *	6/2014	Simon A63B 21/169
5,046,727 A *	9/1991	Wilkinson	A63B 21/00069	482/45	8,951,169 B1	2/2015	Casper	
D328,113 S *	7/1992	Wilkinson	D21/681		9,132,315 B1 *	9/2015	Chen A63B 21/4049
5,244,442 A *	9/1993	Schill	A63B 23/03533	482/45	D757,870 S *	5/2016	Leslie D21/693
5,263,908 A	11/1993	Chen				9,387,360 B2 *	7/2016	Niederman A63B 21/00069
D352,079 S	11/1994	Kang				9,925,404 B1	3/2018	West	
						10,076,678 B2	9/2018	Sanseverino	
						10,220,237 B2 *	3/2019	Bentley A63B 21/00043
						10,307,632 B1	6/2019	Santana	
						D853,505 S	7/2019	Toueg	
						D856,447 S	8/2019	Dunahay	
						D879,219 S *	3/2020	Chen D21/692
						D886,217 S *	6/2020	Chen D21/693
						10,806,960 B2	10/2020	Sanseverino	
						10,974,087 B1 *	4/2021	Moon A63B 21/0555
						2001/0051561 A1	12/2001	Boorstein	
						2002/0160890 A1	10/2002	Fazio	
						2004/0132592 A1 *	7/2004	Yu A63B 21/0004
									482/126
						2004/0142798 A1 *	7/2004	Liao A63B 21/05
									482/126
						2005/0233877 A1 *	10/2005	Lin A63B 21/026
									482/126
						2006/0211551 A1 *	9/2006	Mandell A63B 21/00185
									482/121
						2006/0270534 A1	11/2006	Adcock	

(56)

References Cited

U.S. PATENT DOCUMENTS

2007/0238590 A1* 10/2007 Jin A63B 23/12
482/121
2008/0076647 A1* 3/2008 Fine A63B 21/152
482/126
2008/0167167 A1 7/2008 Munoz
2010/0069207 A1* 3/2010 Ko A63B 21/00043
482/126
2011/0092346 A1 4/2011 Wakuda
2013/0029811 A1* 1/2013 Lando A63B 21/4035
482/121
2013/0259561 A1 10/2013 Lai
2015/0126342 A1 5/2015 Kaye
2015/0126345 A1 5/2015 Kaye
2015/0126346 A1 5/2015 Kaye
2015/0126347 A1 5/2015 Kaye
2015/0133276 A1 5/2015 Kaye
2015/0375032 A1 12/2015 Tong
2016/0074689 A1* 3/2016 Anderson A63B 23/14
482/127

2018/0200558 A1* 7/2018 Alnajjar A63B 21/0455
2020/0222755 A1 7/2020 Adwan
2021/0008400 A1* 1/2021 Chin A63B 23/12

FOREIGN PATENT DOCUMENTS

WO 2010068914 A1 6/2010
WO 2014043678 A1 3/2014
WO 2017091896 A1 6/2017
WO 2018137790 A1 8/2018

OTHER PUBLICATIONS

Iso stick by iso stick dated date not given. Found online [Jul. 27, 2021] <https://www.iso-stick.com/shop>.
International Design Reg. No. DM/ 210 453, International Designs Bulletin, Issue No. 40/2020, Published Feb. 10, 2020.
Office Action dated Jan. 15, 2021 for co-pending U.S. Appl. No. 17/076,761.

* cited by examiner

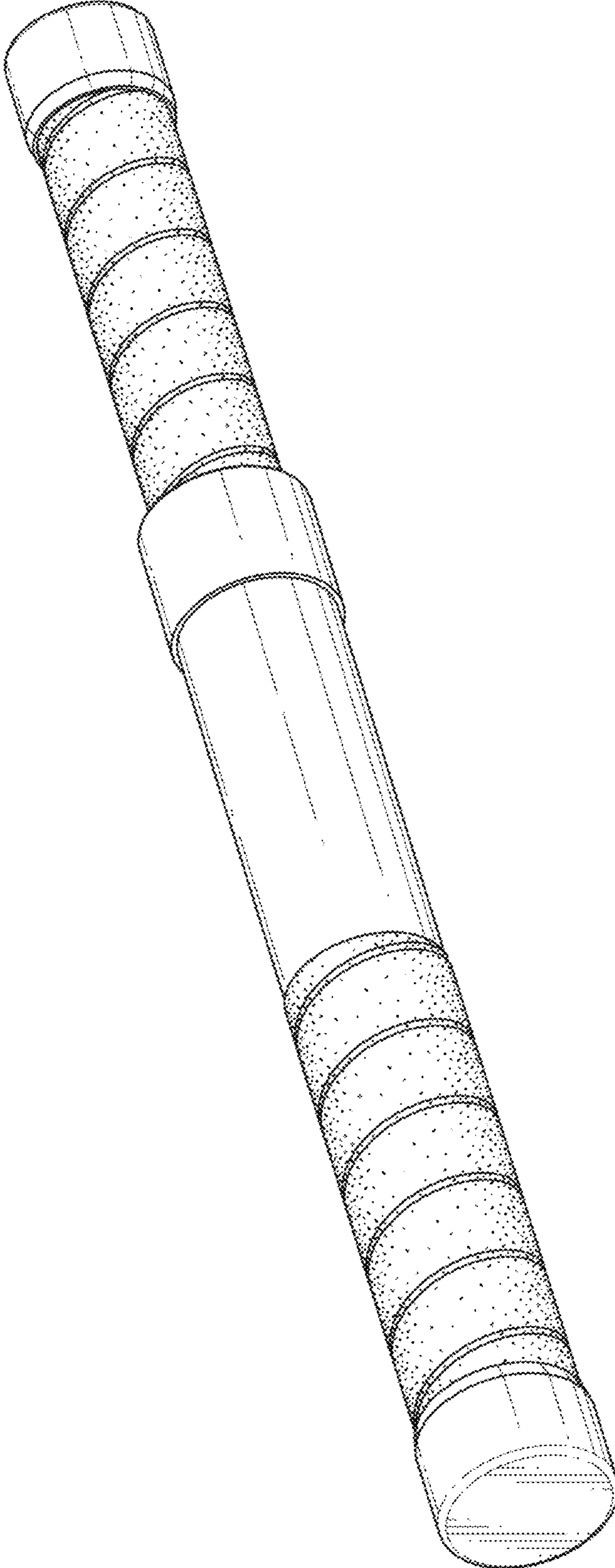


FIG. 1

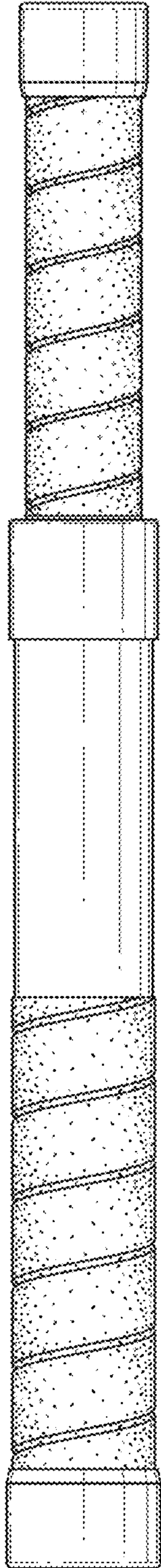


FIG. 2

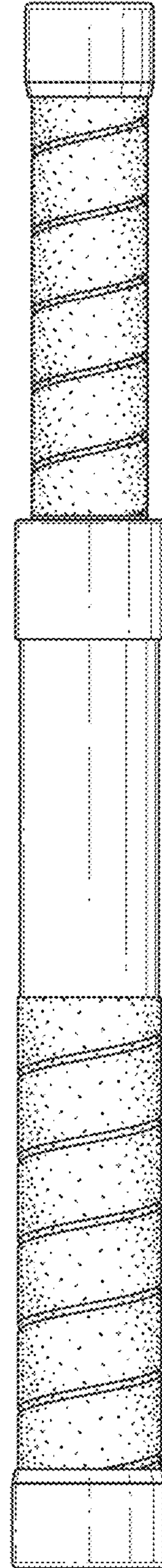


FIG. 3

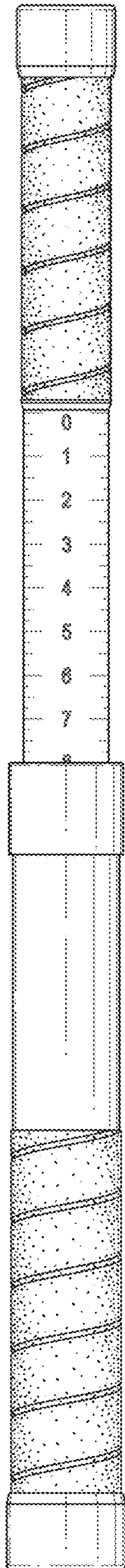


FIG. 4

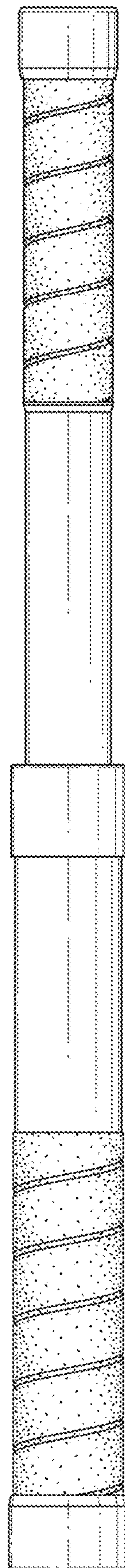


FIG. 5

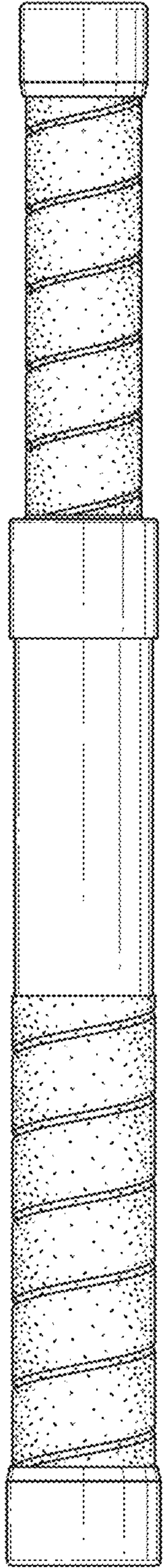


FIG. 6

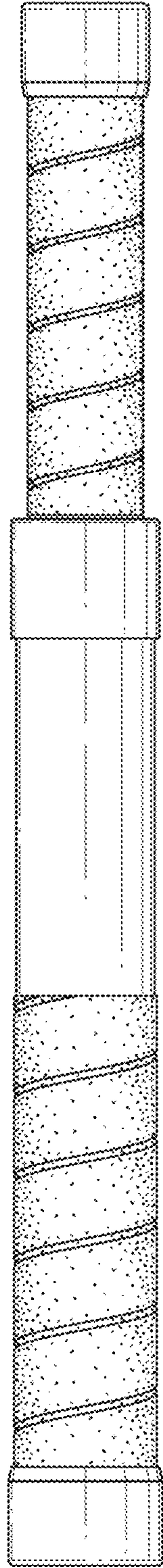


FIG. 7

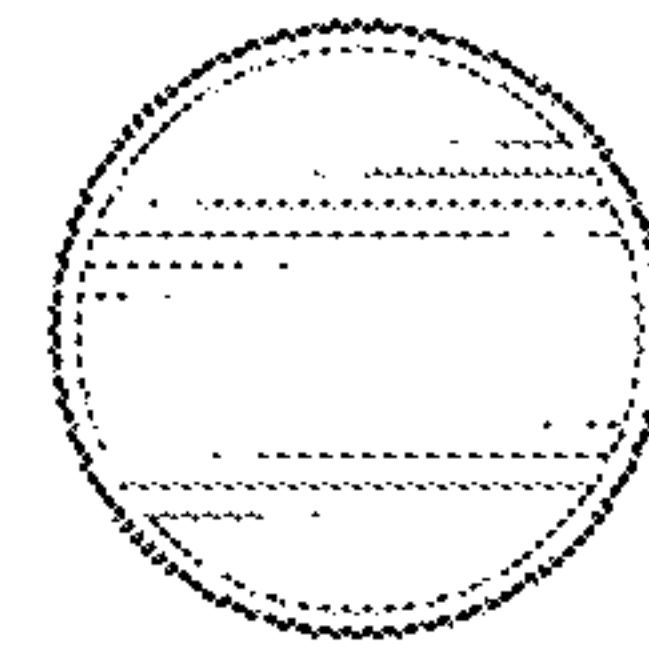


FIG. 8

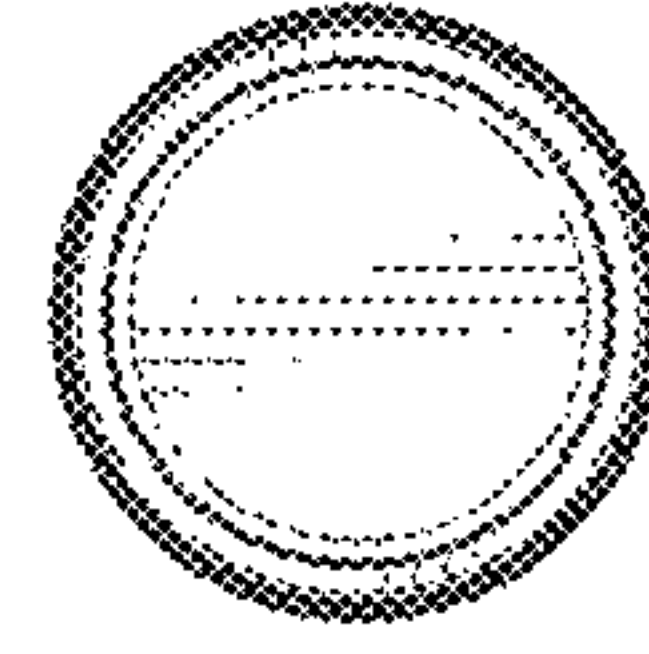


FIG. 9