



US00D934963S

(12) **United States Design Patent**
Boatwright

(10) **Patent No.:** **US D934,963 S**

(45) **Date of Patent:** **** *Nov. 2, 2021**

(54) **EXERCISE STAND**

(71) Applicant: **Donald Jeffrey Boatwright**, Charlotte, NC (US)

(72) Inventor: **Donald Jeffrey Boatwright**, Charlotte, NC (US)

(*) Notice: This patent is subject to a terminal disclaimer.

(**) Term: **14 Years**

(21) Appl. No.: **29/466,747**

(22) Filed: **Sep. 11, 2013**

(51) **LOC (13) Cl.** **21-02**

(52) **U.S. Cl.**
USPC **D21/691**

(58) **Field of Classification Search**
USPC D21/662, 679, 688-691; 482/35, 36, 482/38-41, 92-101, 104-108, 110, 114, 482/118, 121-124, 130, 146, 148; D6/566, 691.7, 708.16; D8/321, 349, D8/373; 84/327; D7/601; D20/10
See application file for complete search history.

(56) **References Cited**

U.S. PATENT DOCUMENTS

D314,025 S * 1/1991 Shimer D21/691
D352,540 S * 11/1994 Harger D21/691
D355,005 S * 1/1995 Voothanel, Jr. D21/691

5,536,222 A * 7/1996 Banda et al. 482/38
D385,000 S * 10/1997 Reeder D21/691
D420,071 S * 2/2000 Tench D21/690
D597,614 S * 8/2009 Goddard D21/691
D636,039 S * 4/2011 Henniger D21/691
D636,040 S * 4/2011 Henniger D21/691
8,414,460 B2 * 4/2013 Todokoro 482/35
D686,287 S * 7/2013 Boatwright D21/691
D703,773 S * 4/2014 Henry D21/691
2007/0054787 A1 * 3/2007 Simmons 482/97

* cited by examiner

Primary Examiner — George D Kirschbaum

Assistant Examiner — Jennifer Watkins

(74) *Attorney, Agent, or Firm* — Schwartz Law Firm, P.C.

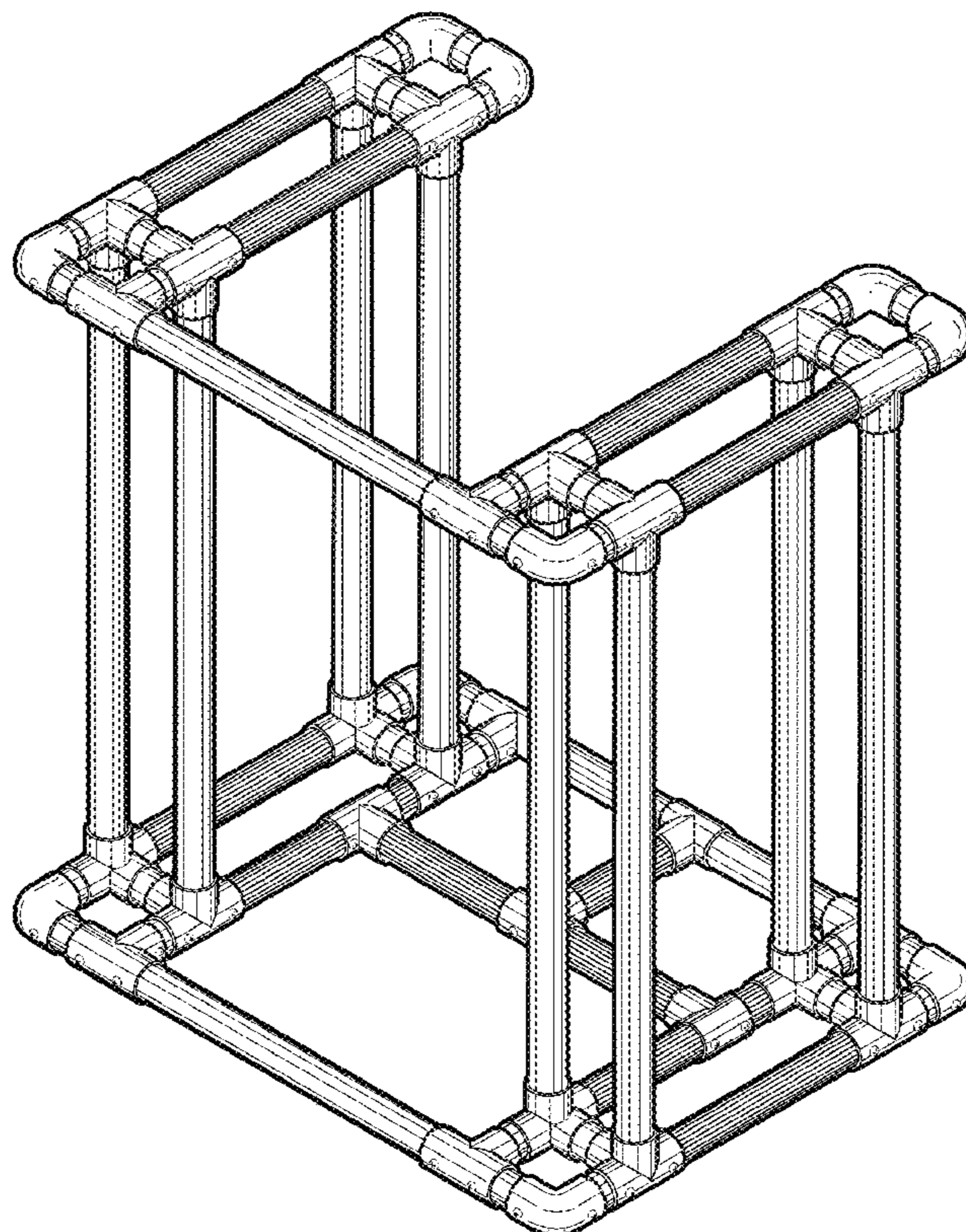
(57) **CLAIM**

I claim the ornamental design for an exercise stand, as shown and described.

DESCRIPTION

FIG. 1 is a perspective view of an exercise stand with screw fasteners shown in phantom lines;
FIG. 2 is a rear view of the exercise stand;
FIG. 3 is a front view of the exercise stand;
FIG. 4 is a top view of the exercise stand;
FIG. 5 is a bottom view of the exercise stand;
FIG. 6 is a left side view of the exercise stand; and,
FIG. 7 is a right side view of the exercise stand.
The broken line showing is for the purpose of illustrating portions of the exercise stand which form no part of the claimed design.

1 Claim, 6 Drawing Sheets



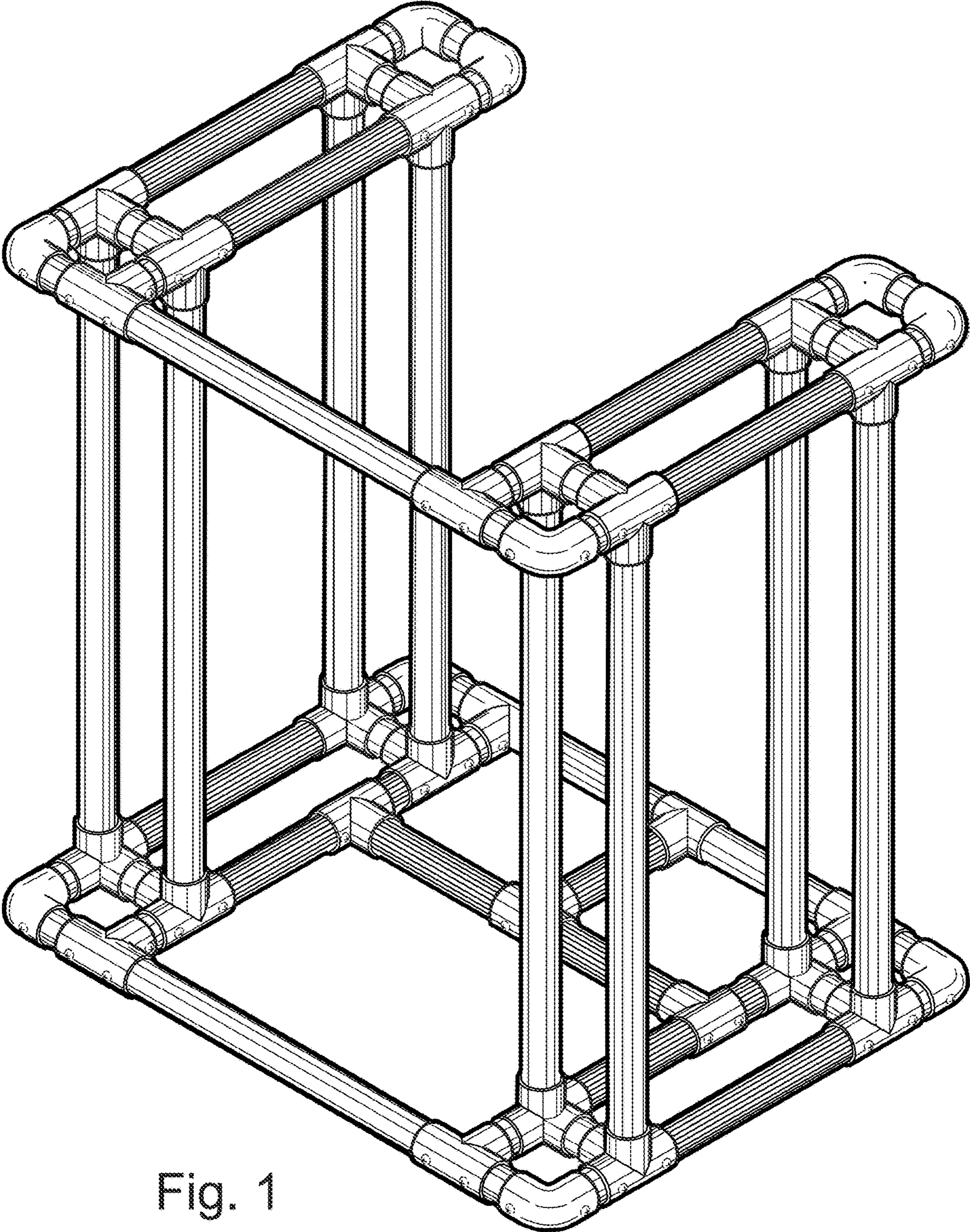


Fig. 1

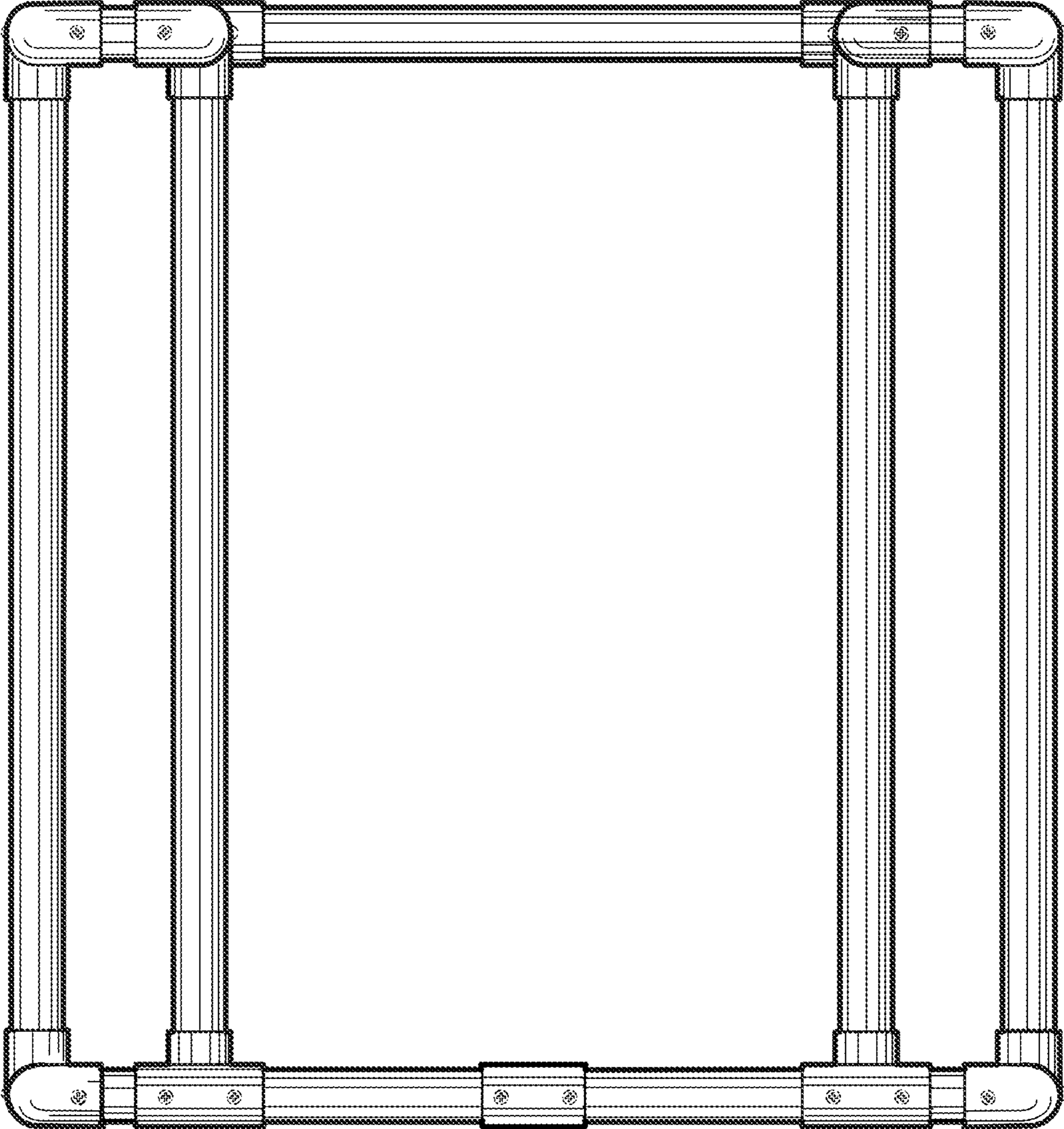


Fig. 2

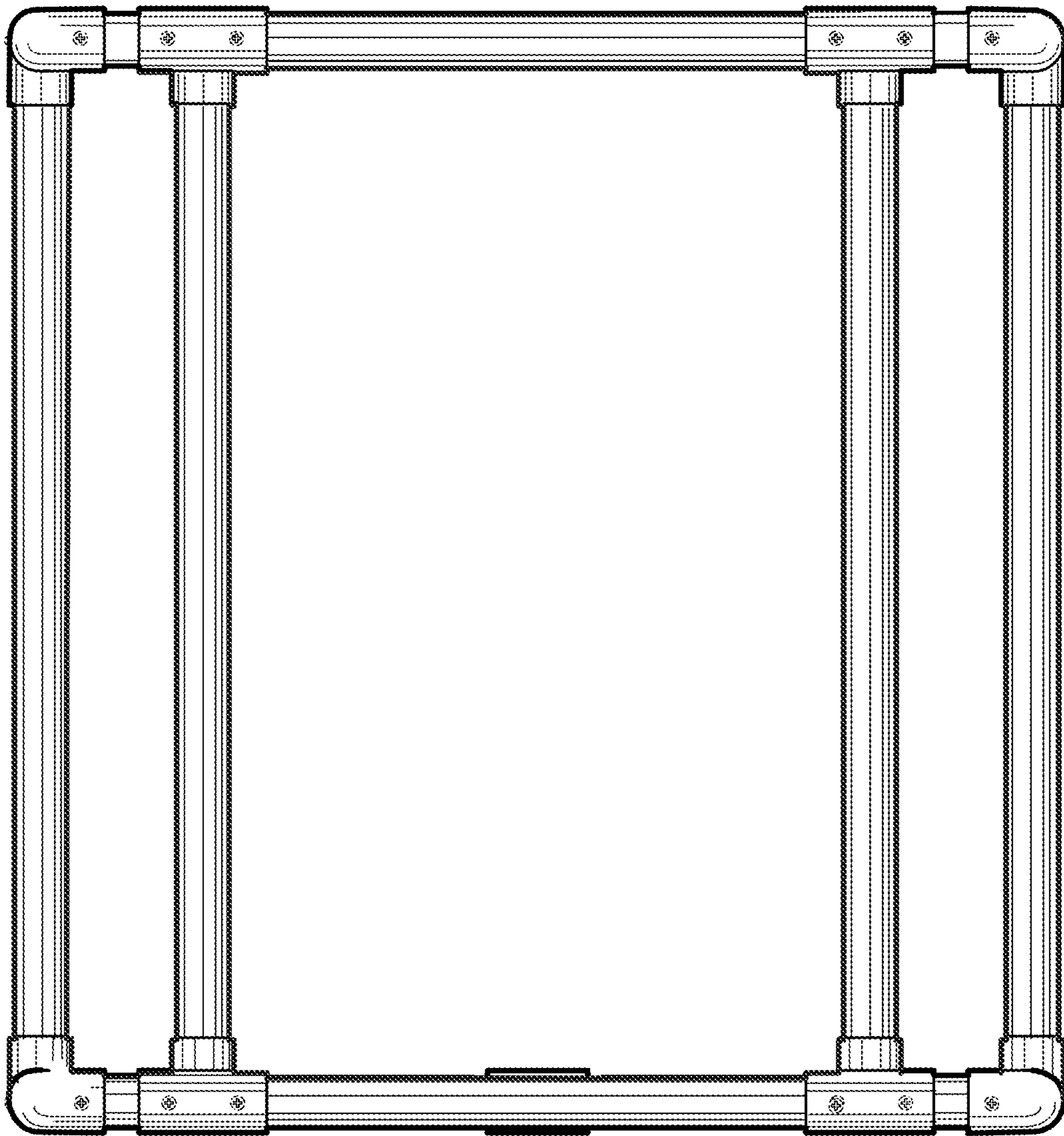


Fig. 3

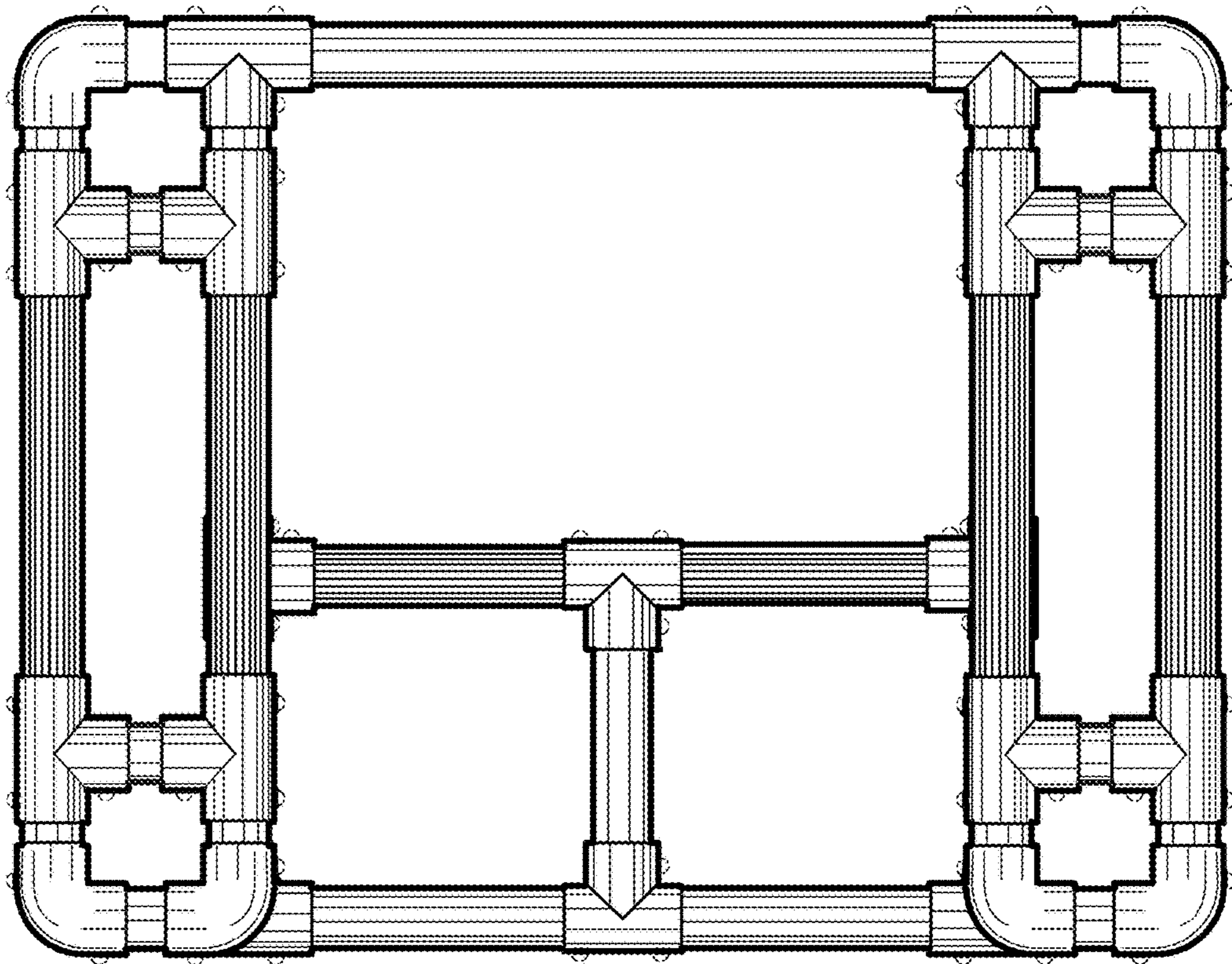


Fig. 4

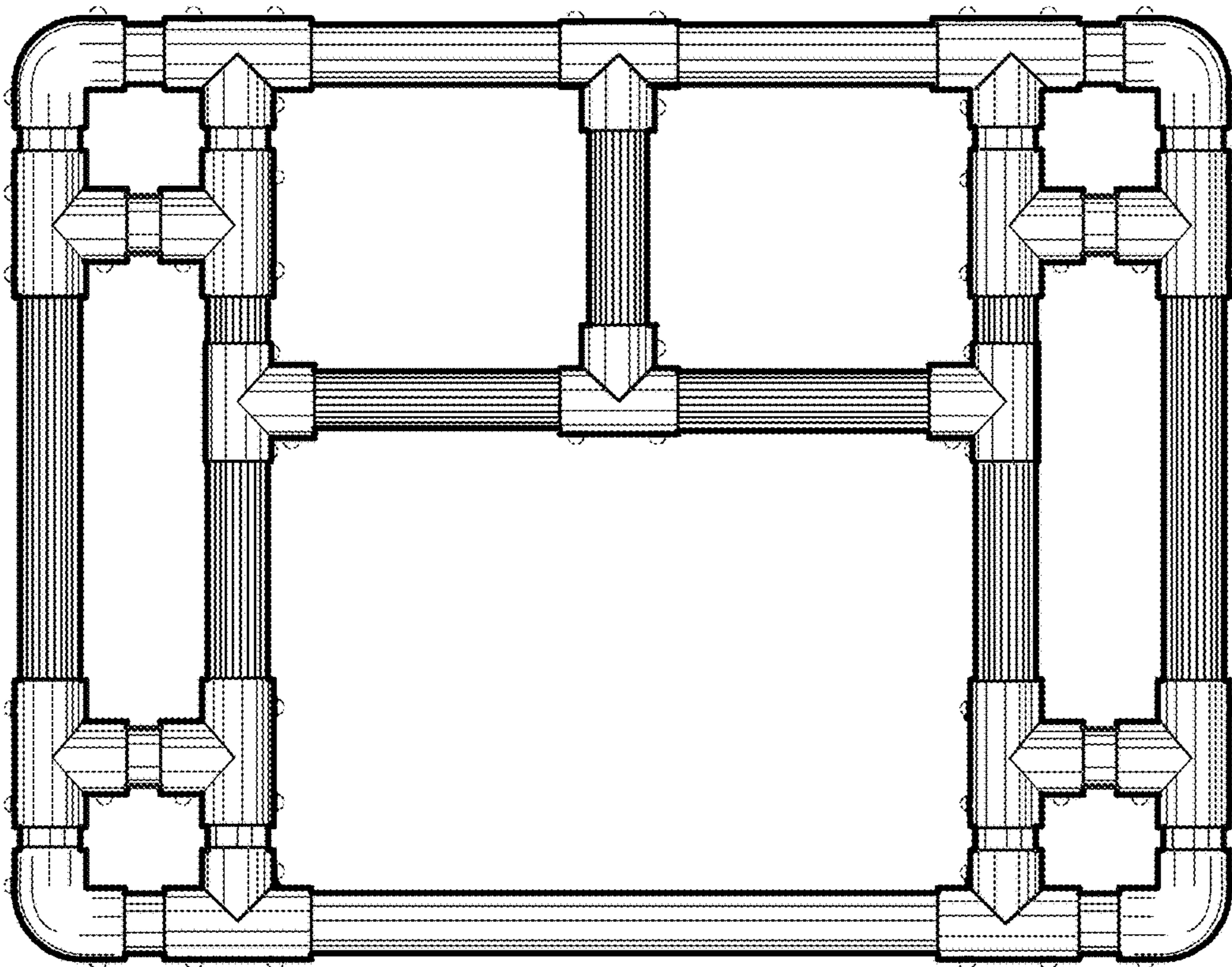


Fig. 5

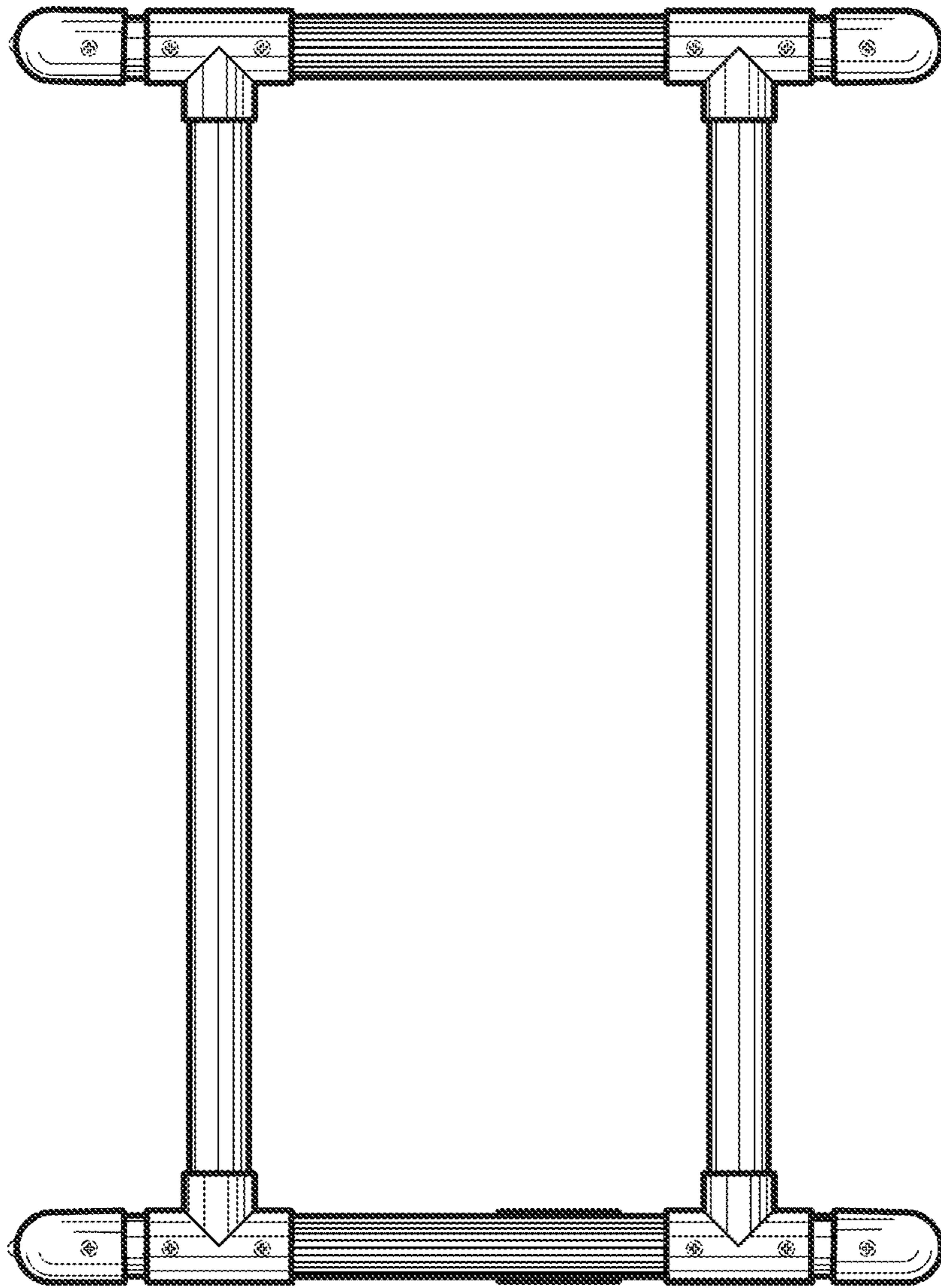


Fig. 6

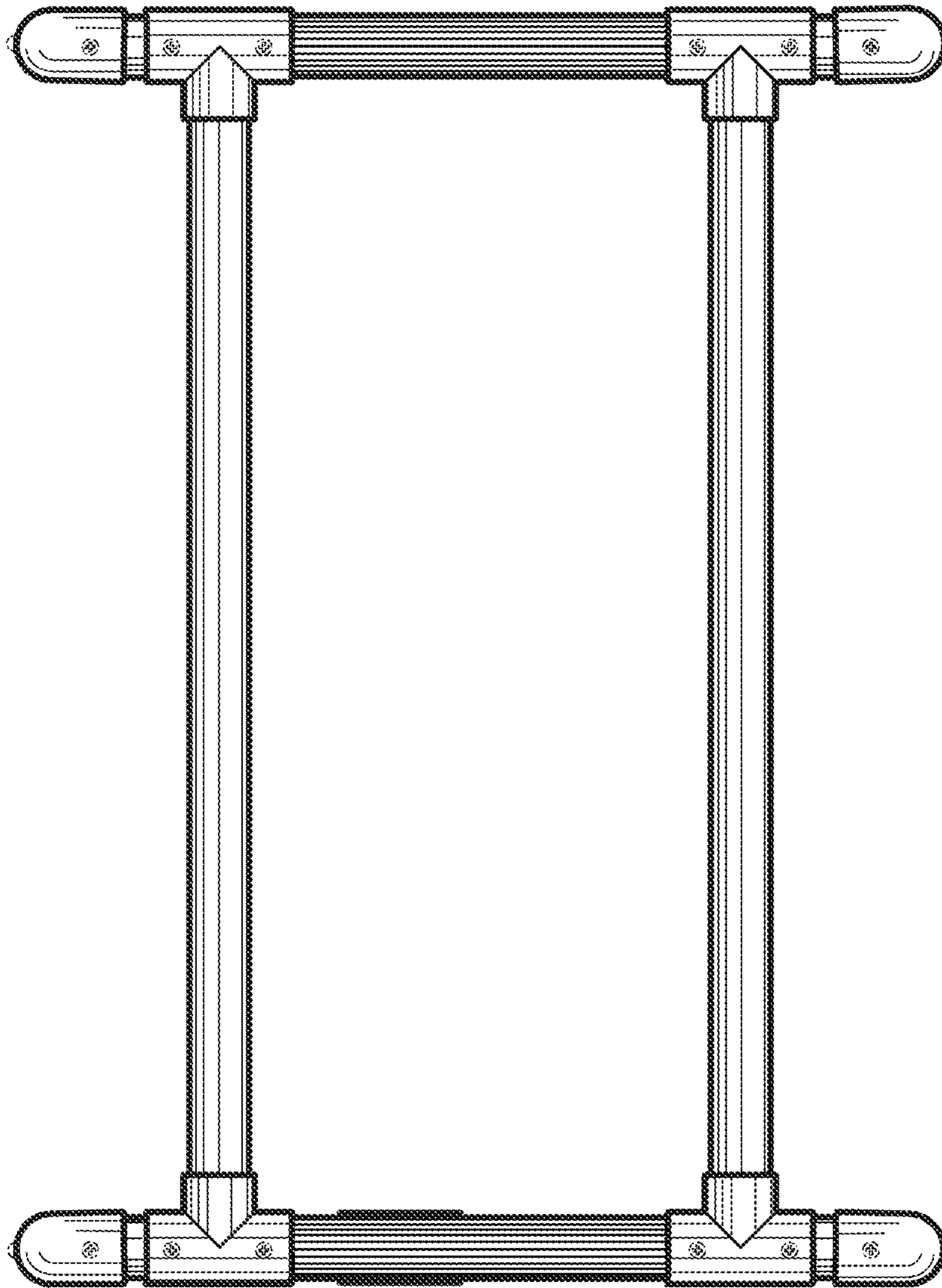


Fig. 7