



US00D934962S

(12) **United States Design Patent** (10) **Patent No.:** **US D934,962 S**
Savioli (45) **Date of Patent:** **** Nov. 2, 2021**

- (54) **RING GRIP**
- (71) Applicant: **VIVE HEALTH LLC**, Naples, FL (US)
- (72) Inventor: **Gaetano Savioli**, Naples, FL (US)
- (73) Assignee: **Vive Health LLC**, Naples, FL (US)
- (**) Term: **15 Years**
- (21) Appl. No.: **29/729,234**
- (22) Filed: **Mar. 25, 2020**
- (51) **LOC (13) Cl.** **21-02**
- (52) **U.S. Cl.**
USPC **D21/684; D24/214**
- (58) **Field of Classification Search**
USPC D8/300, 303, 310-312; D21/408, 682, D21/684, 692; D24/200, 214
CPC . A63B 23/16; A63B 21/0004; A63B 21/4035; A63B 21/028
See application file for complete search history.

D640,382 S *	6/2011	Roehrig	D24/194
D658,729 S *	5/2012	McLoughney	D21/684
D768,867 S *	10/2016	Hetzel	D24/214
D847,918 S *	5/2019	Reisinger	D21/682
D895,820 S *	9/2020	Levi	D24/200
2003/0069109 A1 *	4/2003	Bender	A63B 23/16 482/49
2009/0280967 A1 *	11/2009	Salzwimmer	A63B 21/0624 482/110
2015/0126334 A1 *	5/2015	Newman	A63B 21/4039 482/24

* cited by examiner

Primary Examiner — Lauren R Calve

(74) *Attorney, Agent, or Firm* — Workman Nydegger

(57) **CLAIM**

The ornamental design for a ring grip, as shown and described.

DESCRIPTION

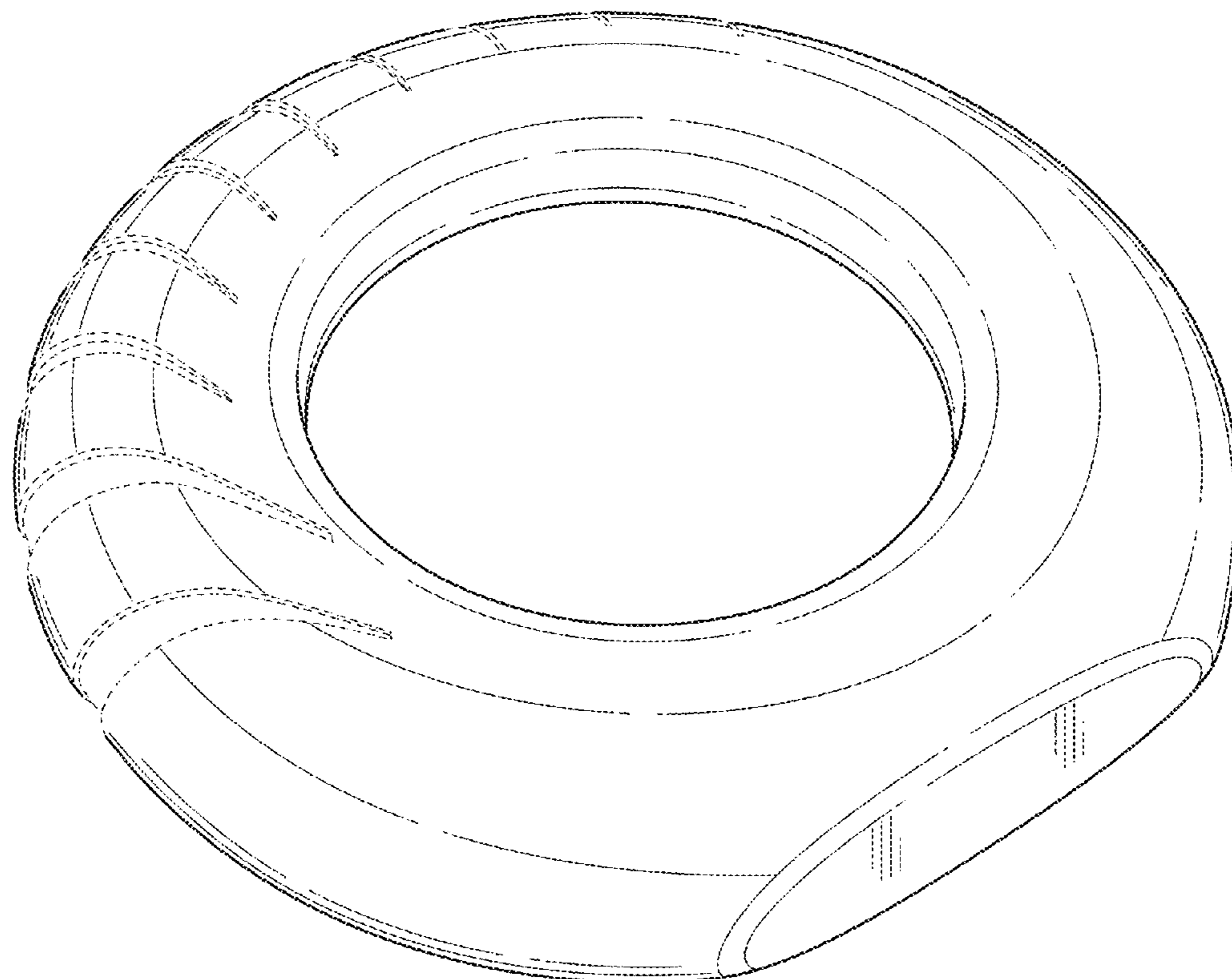
FIG. 1 is a perspective view of a ring grip showing the new design;
 FIG. 2 is a top plan view thereof;
 FIG. 3 is a bottom plan view thereof;
 FIG. 4 is a front elevation view thereof;
 FIG. 5 is a right elevation view thereof;
 FIG. 6 is a back elevation view thereof; and,
 FIG. 7 is a left elevation view thereof.
 The broken lines in the drawings are for the purpose of illustrating portions of the article that form no part of the claimed design.

1 Claim, 7 Drawing Sheets

(56) **References Cited**

U.S. PATENT DOCUMENTS

D171,950 S *	4/1954	Moore	D24/194
D291,341 S *	8/1987	Keating	D21/684
D301,510 S *	6/1989	Orak	D21/684
D495,465 S *	9/2004	Tepper	D1/127
7,037,240 B2 *	5/2006	Pemberton	A63B 21/028 482/121



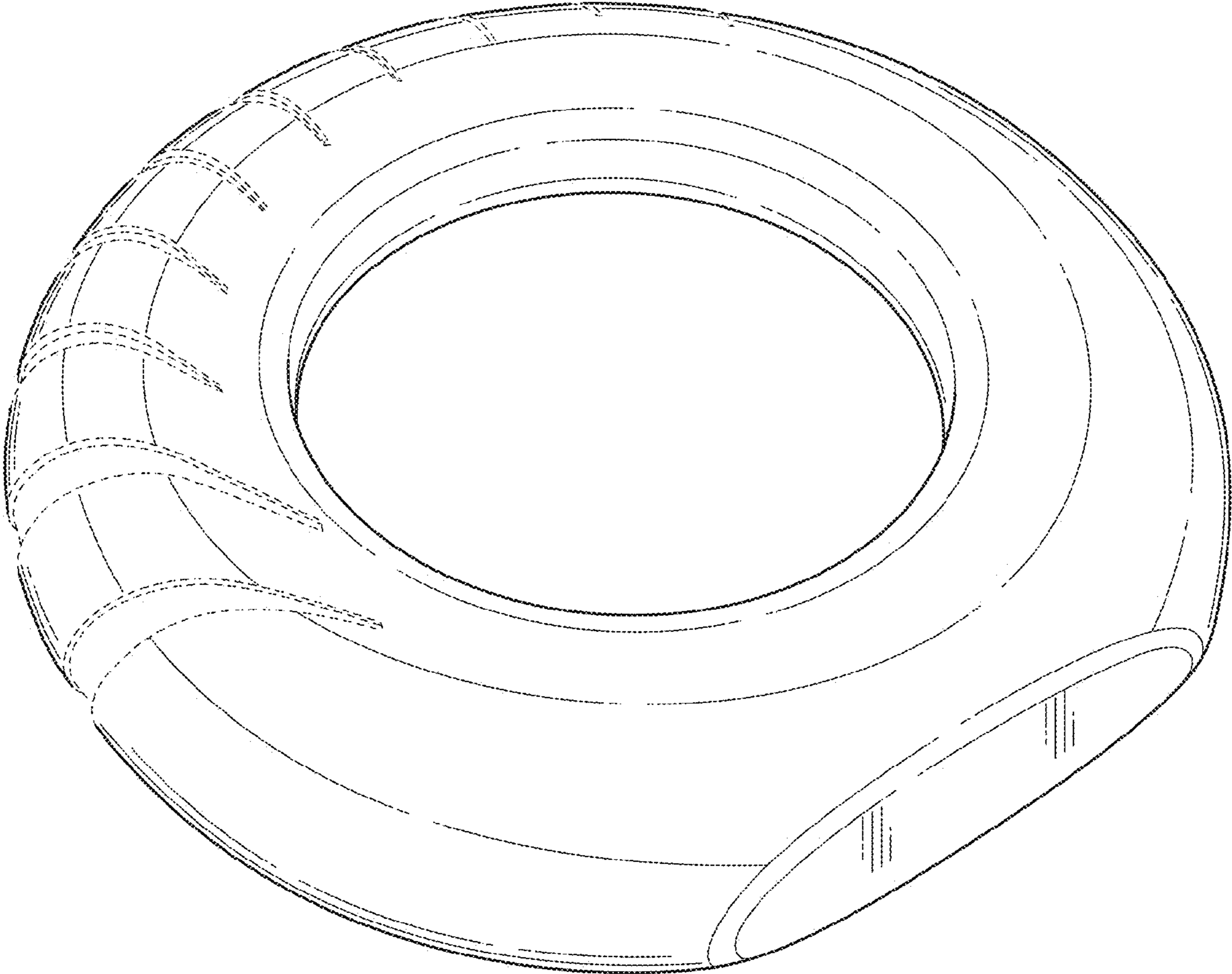


FIG. 1

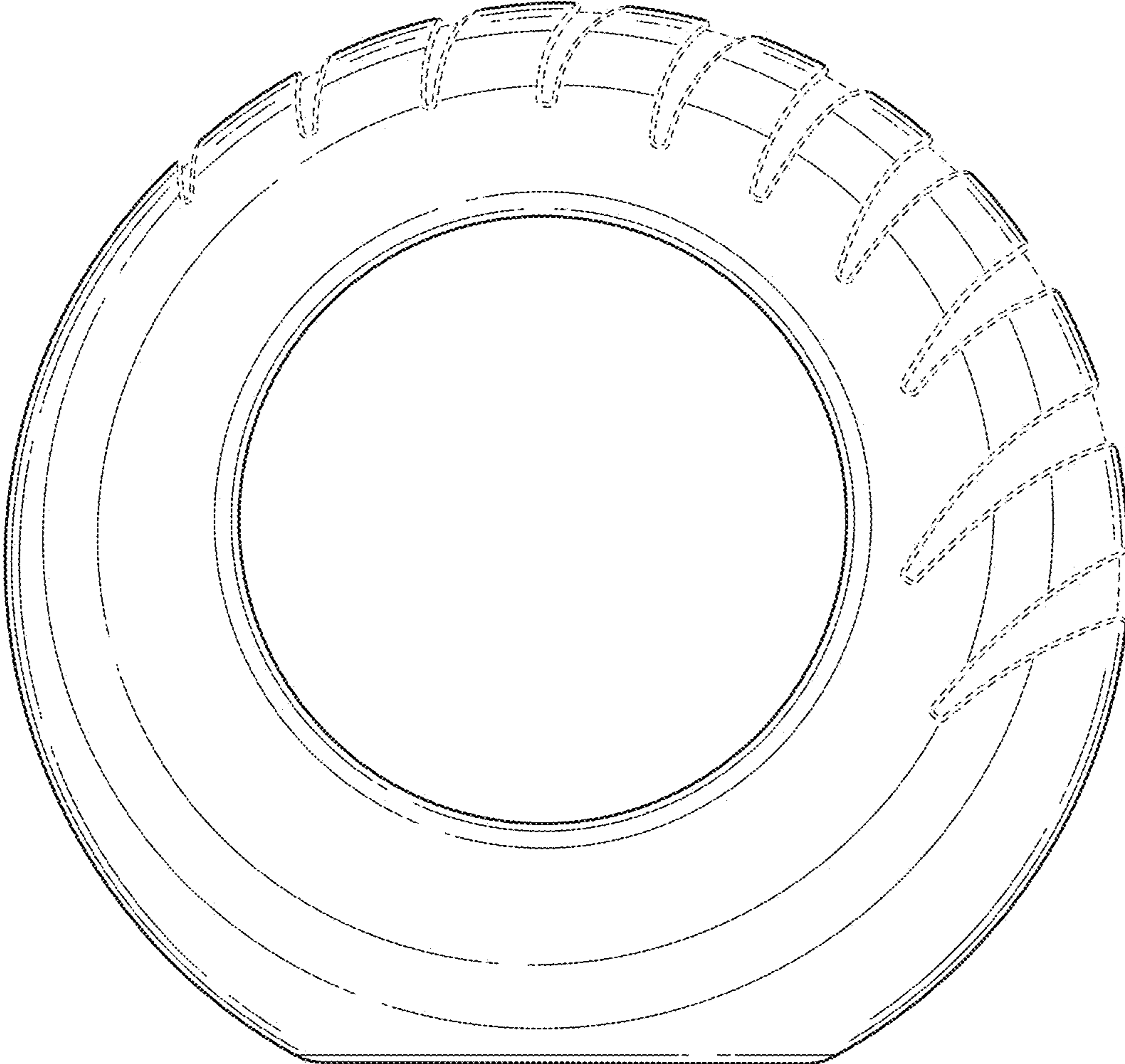


FIG. 2

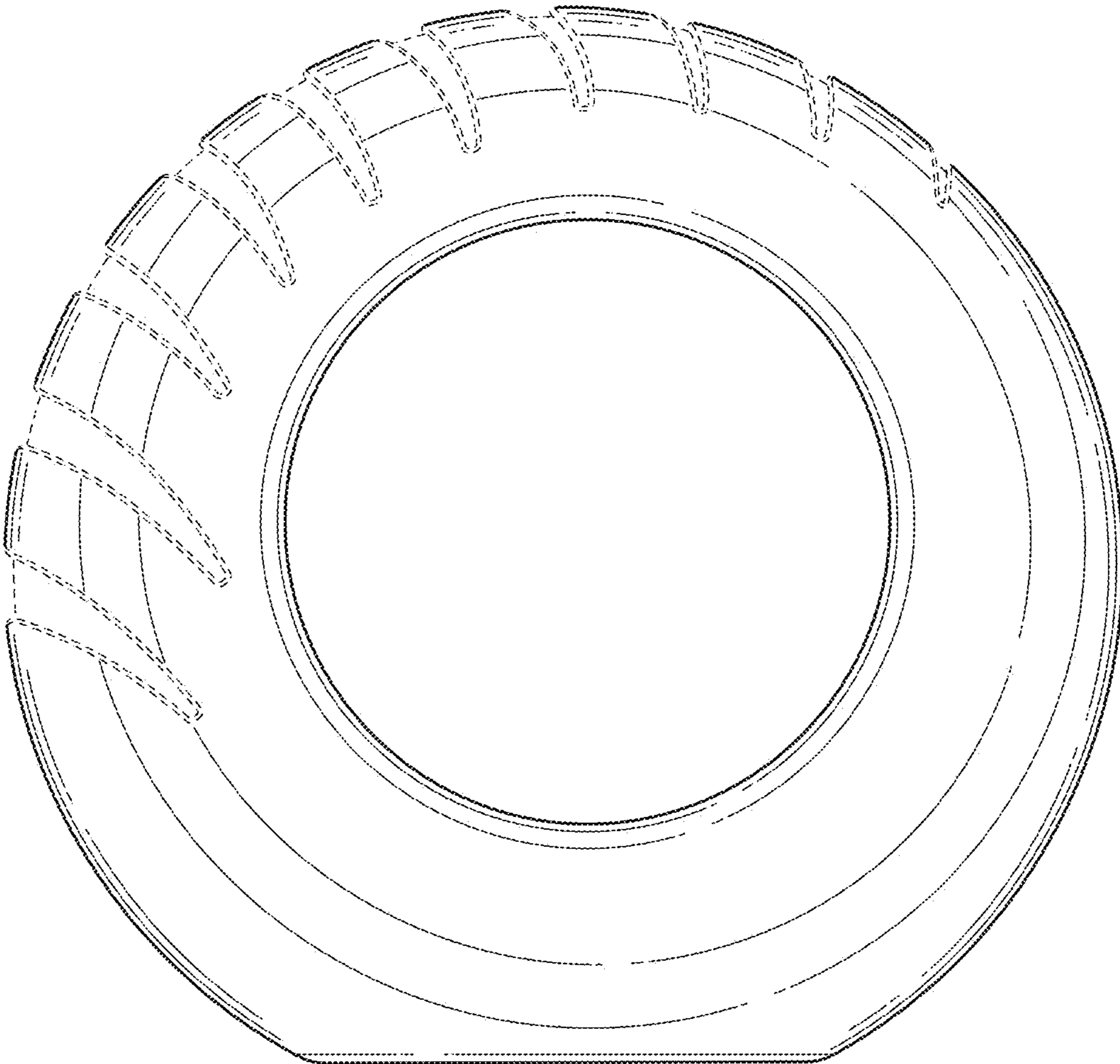


FIG. 3

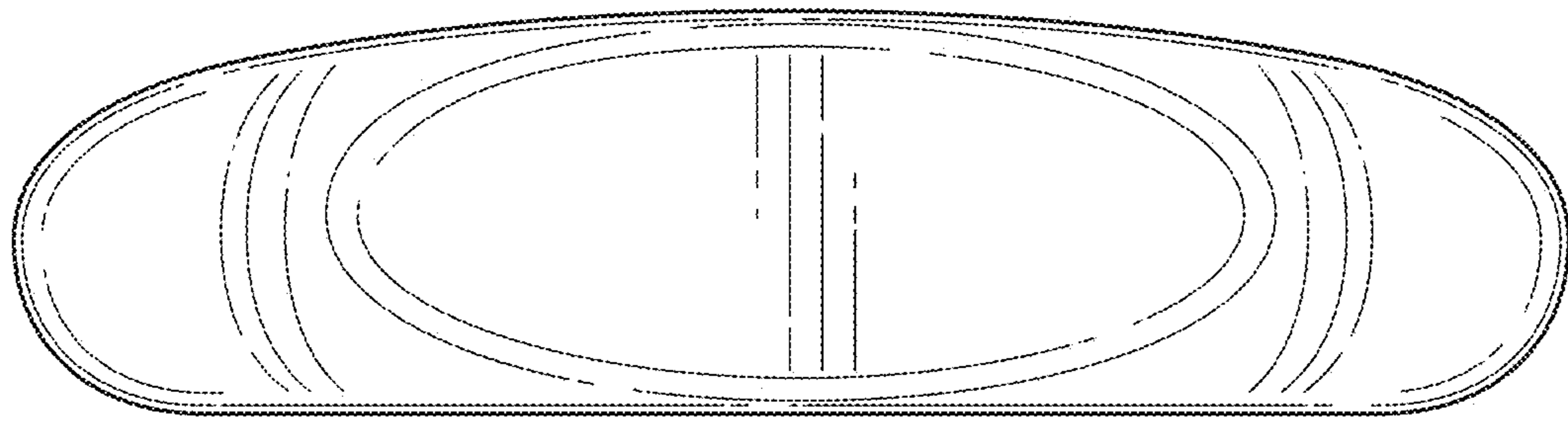


FIG. 4

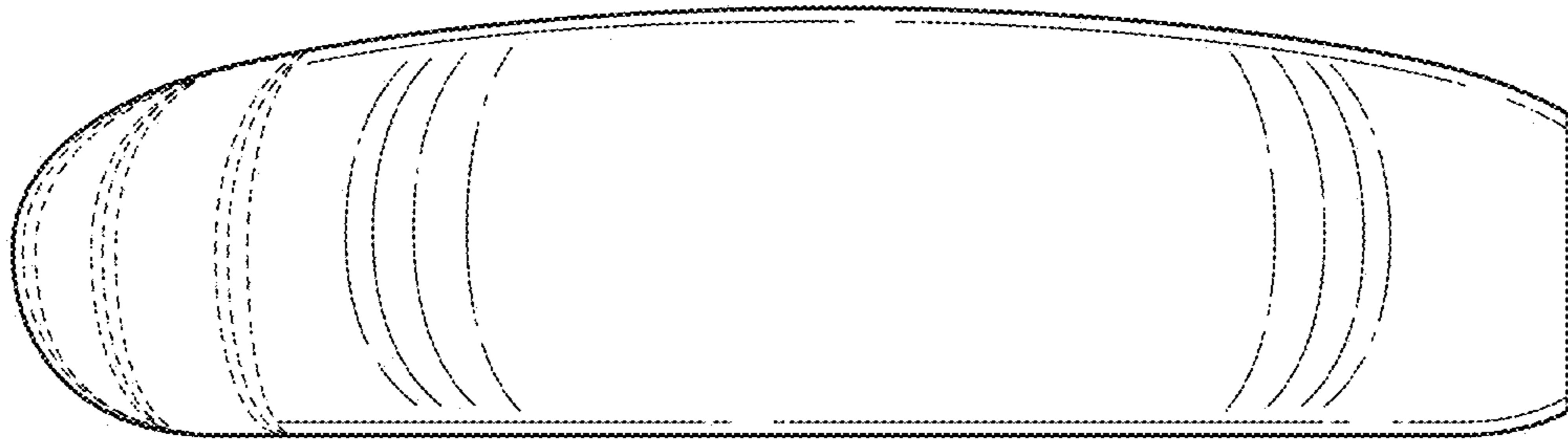


FIG. 5

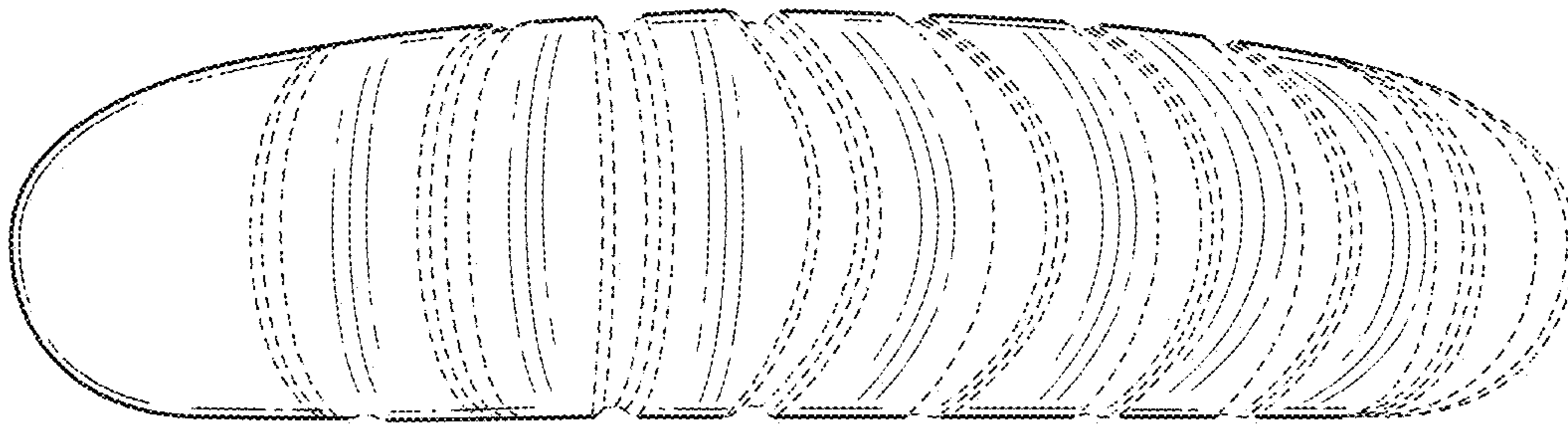


FIG. 6

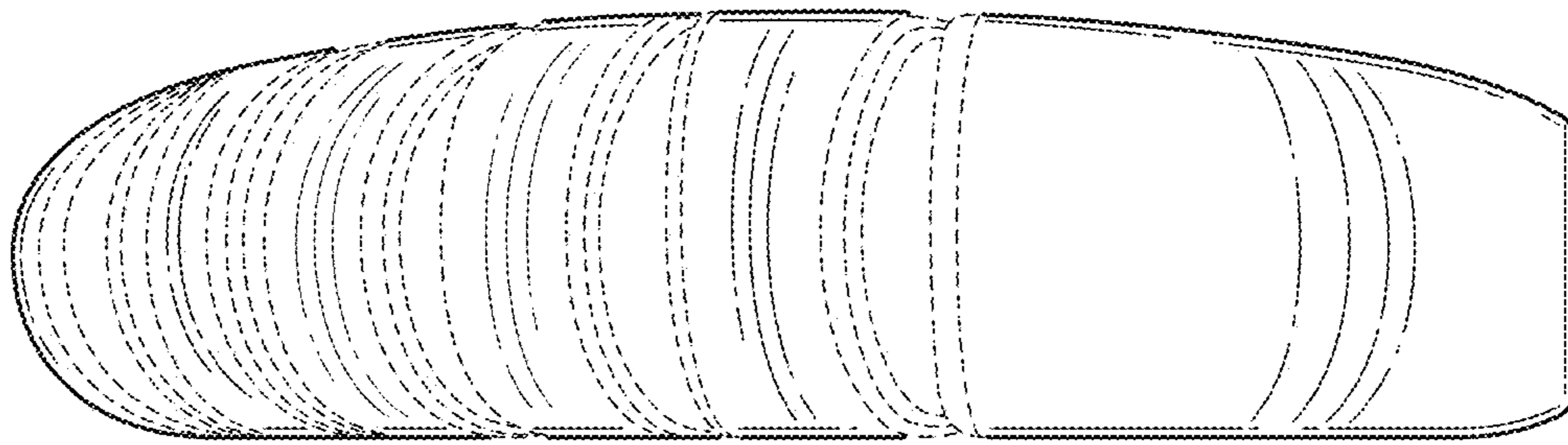


FIG. 7