



US00D934961S

(12) **United States Design Patent** (10) **Patent No.:** **US D934,961 S**  
**Luo** (45) **Date of Patent:** **\*\* Nov. 2, 2021**

(54) **TREADMILL**  
(71) Applicant: **Jiangxi EQI Industrial Co., Ltd,**  
Jiangxi (CN)  
(72) Inventor: **Xietong Luo,** Jiangxi (CN)  
(73) Assignee: **Jiangxi EQI Industrial Co., Ltd,**  
Jiangxi (CN)  
(\*\*) Term: **15 Years**  
(21) Appl. No.: **29/741,950**  
(22) Filed: **Jul. 16, 2020**  
(30) **Foreign Application Priority Data**

Jun. 10, 2020 (CN) ..... 202030291918.2  
(51) **LOC (13) Cl.** ..... **21-02**  
(52) **U.S. Cl.**  
USPC ..... **D21/669**  
(58) **Field of Classification Search**  
USPC ..... 482/54, 2, 51, 8, 70, 146; D21/668, 669;  
198/439, 456; D30/160; 601/35, 23, 5,  
601/34  
CPC . A63B 22/02; A63B 22/0023; A63B 22/0235;  
A63B 2210/50; A63B 22/0285; A63B  
22/0242; A63B 2022/025; A63B 2225/30;  
A63B 2022/0214; A63B 2220/13; A63B  
2022/0228; A63B 2210/56; A63B  
2024/0093; A63B 2022/0207; A63B  
22/0012; A63B 22/0257; A61H 3/008;  
A61H 1/0262; A61H 2201/164; A01K  
15/027  
See application file for complete search history.

(56) **References Cited**  
U.S. PATENT DOCUMENTS  
4,151,988 A \* 5/1979 Nabinger ..... A63B 22/02  
188/72.9  
D280,002 S \* 8/1985 Smith ..... D21/669

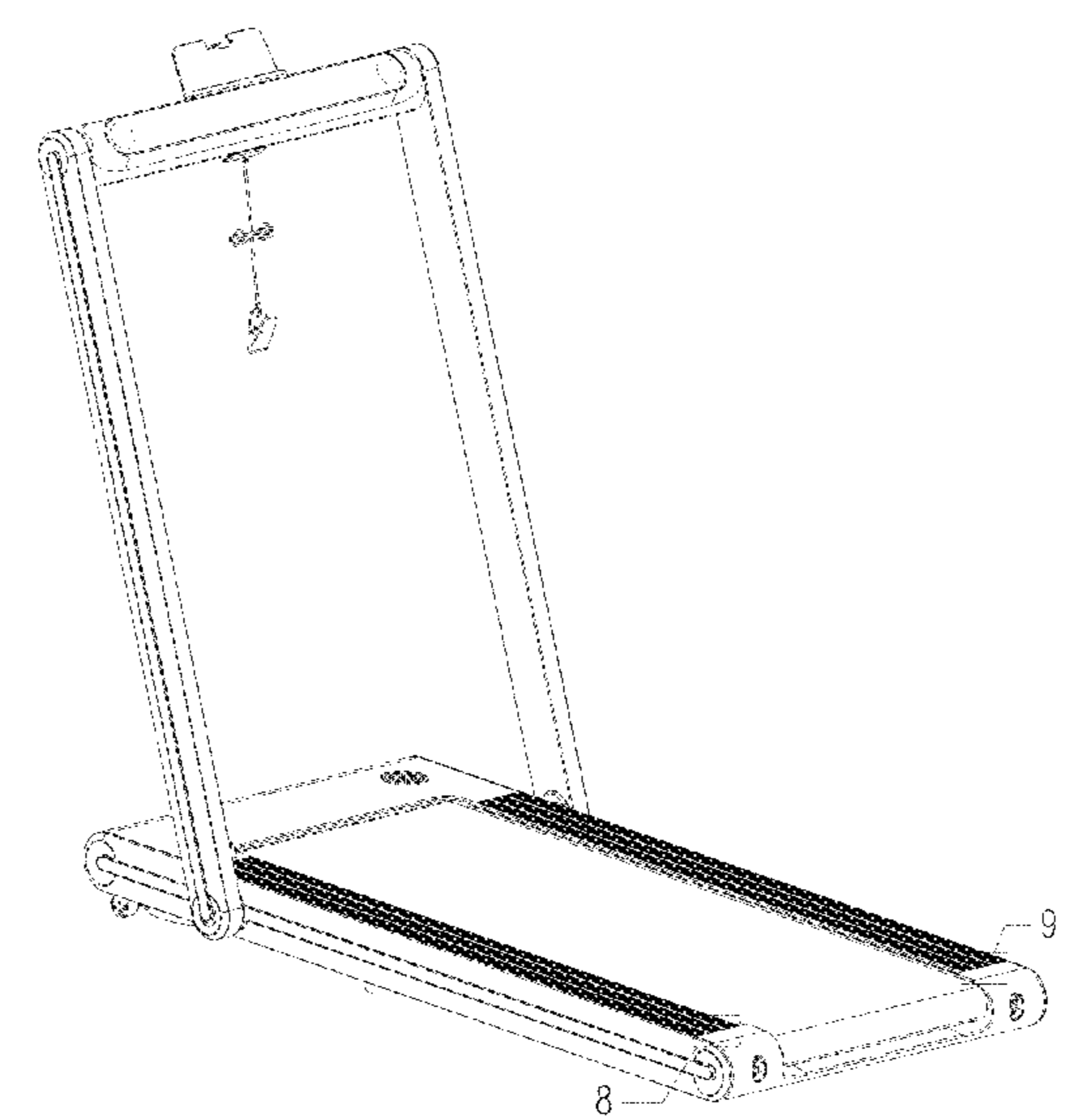
4,614,336 A \* 9/1986 Taitel ..... A63B 21/015  
482/54  
4,757,987 A \* 7/1988 Allemand ..... A63B 22/02  
482/54  
4,776,582 A \* 10/1988 Ramhorst ..... A63B 22/0023  
482/54  
D303,557 S \* 9/1989 Kiiski ..... D21/669  
D304,849 S \* 11/1989 Watterson ..... D21/669  
D306,468 S \* 3/1990 Watterson ..... D21/669  
D306,891 S \* 3/1990 Watterson ..... D21/669  
5,018,722 A \* 5/1991 Whitmore ..... A63B 22/02  
482/54  
5,029,801 A \* 7/1991 Dalebout ..... A63B 22/0023  
248/649  
D325,951 S \* 5/1992 Johnson ..... D21/669  
D344,557 S \* 2/1994 Ashby ..... 482/54  
D348,494 S \* 7/1994 Ashby ..... D21/694  
(Continued)

*Primary Examiner* — Ryan Harvey  
(74) *Attorney, Agent, or Firm* — JCIP Global Inc.

(57) **CLAIM**  
The ornamental design for a treadmill, as shown and described.

**DESCRIPTION**  
FIG. 1 is a perspective view of a treadmill showing my new design;  
FIG. 2 is a front view thereof;  
FIG. 3 is a rear view thereof;  
FIG. 4 is a left side view thereof;  
FIG. 5 is a right side view thereof;  
FIG. 6 is a top view thereof;  
FIG. 7 is a bottom view thereof;  
FIG. 8 is an enlarged view of the portion 8 in FIG. 1; and,  
FIG. 9 is an enlarged view of the portion 9 in FIG. 1.  
The dashed broken lines illustrate portions of the article that form no part of the claimed design.

**1 Claim, 9 Drawing Sheets**



(56)

References Cited

U.S. PATENT DOCUMENTS

5,378,213	A *	1/1995	Quint	A63B 22/02	D751,156	S *	3/2016	Tasca	D21/669
				198/849	9,364,706	B2 *	6/2016	Lo	A63B 22/00
D355,227	S *	2/1995	Summers	D21/669	D831,131	S *	10/2018	Zha	D21/669
D369,843	S *	5/1996	Wang	D21/669	D854,101	S *	7/2019	Kruse	D21/669
D374,260	S *	10/1996	Snyderman	D21/669	D859,543	S	9/2019	Lisi et al.	
5,607,375	A *	3/1997	Dalebout	A63B 22/0023	D873,934	S	1/2020	Mino	
				482/51	D888,845	S	6/2020	Luo	
5,643,144	A *	7/1997	Trulaske	A63B 22/02	D889,569	S *	7/2020	Luo	D21/669
				198/841	2001/0049323	A1 *	12/2001	Fox	A63B 22/0023
5,711,745	A *	1/1998	Yang	A63B 22/02					482/54
				482/51	2003/0060331	A1 *	3/2003	Polk, III	A63B 22/0235
D393,297	S *	4/1998	McBride	D21/669					482/20
5,746,682	A *	5/1998	Hung	A63B 22/02	2004/0132586	A1 *	7/2004	Leighton	A63B 22/0207
				482/51					482/54
5,816,981	A *	10/1998	Hung	A63B 22/02	2005/0130807	A1 *	6/2005	Cutler	A63B 22/0023
				482/54					482/54
5,904,637	A *	5/1999	Kuo	A63B 22/02	2006/0122037	A1 *	6/2006	Chou Lin	A63B 22/0235
				482/54					482/54
D413,366	S *	8/1999	Husted	D21/668	2006/0122038	A1 *	6/2006	Chou Lin	A63B 22/0235
D414,518	S *	9/1999	Wang	D21/669					482/54
D416,298	S *	11/1999	Onuma	D21/669	2006/0160665	A1 *	7/2006	Tai	A63B 22/0023
6,042,514	A *	3/2000	Abelbeck	A63B 22/02					482/54
				198/439	2008/0176719	A1 *	7/2008	To	A63B 22/0235
D424,137	S *	5/2000	Barker	D21/669					482/54
6,179,753	B1 *	1/2001	Barker	A63B 22/0235	2009/0005224	A1 *	1/2009	Davis	A63B 22/02
				482/51					482/54
6,234,937	B1 *	5/2001	Yu	A63B 22/02	2009/0042698	A1 *	2/2009	Wang	A63B 22/02
				482/54					482/54
6,302,826	B1 *	10/2001	Lee	A63B 22/02	2009/0111666	A1 *	4/2009	Wang	A63B 22/0235
				482/51					482/54
6,390,955	B1 *	5/2002	Wang	A63B 22/02	2009/0170666	A1 *	7/2009	Chiang	A63B 22/02
				482/54					482/54
6,394,933	B1 *	5/2002	Yu	A63B 22/02	2011/0021323	A1 *	1/2011	Wu	A63B 22/0235
				482/54					482/54
D458,654	S *	6/2002	Kiiski	D21/669	2011/0306472	A1 *	12/2011	Wang	A63B 22/0235
D464,690	S *	10/2002	San-Ching	D21/669					482/54
D465,250	S *	11/2002	San-Ching	D21/669	2012/0270704	A1 *	10/2012	Wang	A63B 22/0214
6,527,678	B1 *	3/2003	Wang	A63B 22/0235					482/54
				482/51	2012/0283070	A1 *	11/2012	Lai	A63B 22/02
D484,554	S *	12/2003	Hellman, Jr.	D21/669					482/54
6,663,540	B1 *	12/2003	Huang	A63B 22/02	2013/0184125	A1 *	7/2013	Maguire	A63B 21/225
				482/54					482/54
6,685,599	B2 *	2/2004	Wang	A63B 22/02	2013/0231219	A1 *	9/2013	Huang	A63B 22/0023
				482/54					482/54
6,761,669	B1 *	7/2004	Pan	A63B 22/02	2014/0066263	A1 *	3/2014	Huang	A63B 24/0087
				482/51					482/54
D494,234	S *	8/2004	Sporie	D21/669	2014/0076206	A1 *	3/2014	McCabe	A47B 57/30
6,786,853	B2 *	9/2004	Wu	A63B 22/0257					108/5
				482/54	2014/0113770	A1 *	4/2014	Yim	A63B 22/0023
D500,348	S	12/2004	Parise						482/8
6,860,838	B2 *	3/2005	Fox	A63B 22/0235	2014/0121066	A1 *	5/2014	Huang	A63B 22/02
				193/35 J					482/54
6,884,201	B2 *	4/2005	Wu	A63B 22/0023	2014/0221167	A1 *	8/2014	Wu	A63B 22/0235
				482/54					482/54
6,887,185	B1 *	5/2005	Kuo	A63B 22/02	2014/0274579	A1 *	9/2014	Olson	A63B 22/0023
				482/54					482/54
7,367,926	B2 *	5/2008	Clark	A63B 22/0235	2016/0096064	A1 *	4/2016	Gatti	A63B 22/02
				482/54					482/54
D607,067	S *	12/2009	Wu	D21/669	2016/0279465	A1 *	9/2016	Chang	A63B 22/02
7,815,550	B2 *	10/2010	Watterson	A63B 22/02					482/54
				482/54	2016/0287930	A1 *	10/2016	Moser	A63B 22/0207
7,828,699	B2 *	11/2010	P'erez De Lazarraga	A63B 22/02	2016/0346618	A1 *	12/2016	Ashby	G09B 19/0038
				482/54					482/54
D690,782	S *	10/2013	Perkins	D21/669	2017/0113093	A1 *	4/2017	Bellavista	A63B 22/0023
D704,778	S *	5/2014	Decommer	D21/669	2017/0333747	A1 *	11/2017	Athey	A63B 22/0228
D707,763	S	6/2014	Cutler		2017/0333751	A1 *	11/2017	Seol	A63B 24/0062
9,138,615	B2 *	9/2015	Olson	A63B 22/0023					482/54
				482/54	2018/0043207	A1 *	2/2018	Moser	A63B 22/0207
				482/54	2018/0126249	A1 *	5/2018	Consiglio	A63B 71/0619
				482/54					482/54
				482/54	2018/0140903	A1 *	5/2018	Poure	A63B 24/0087
				482/54	2019/0192952	A1 *	6/2019	Powell	A63B 22/0221
				482/54	2019/0290956	A1 *	9/2019	Ren	A63B 22/0235

\* cited by examiner

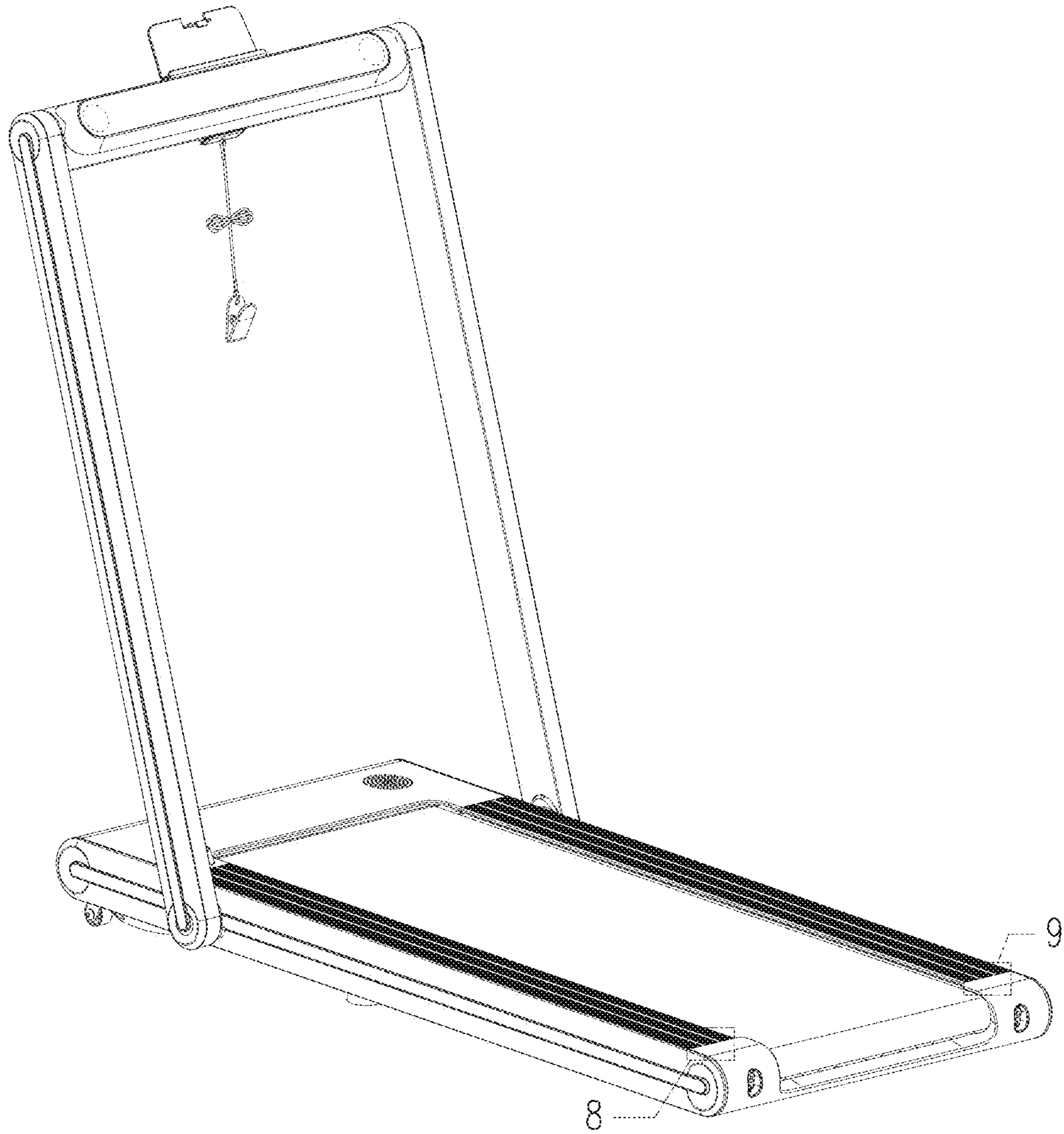


FIG. 1

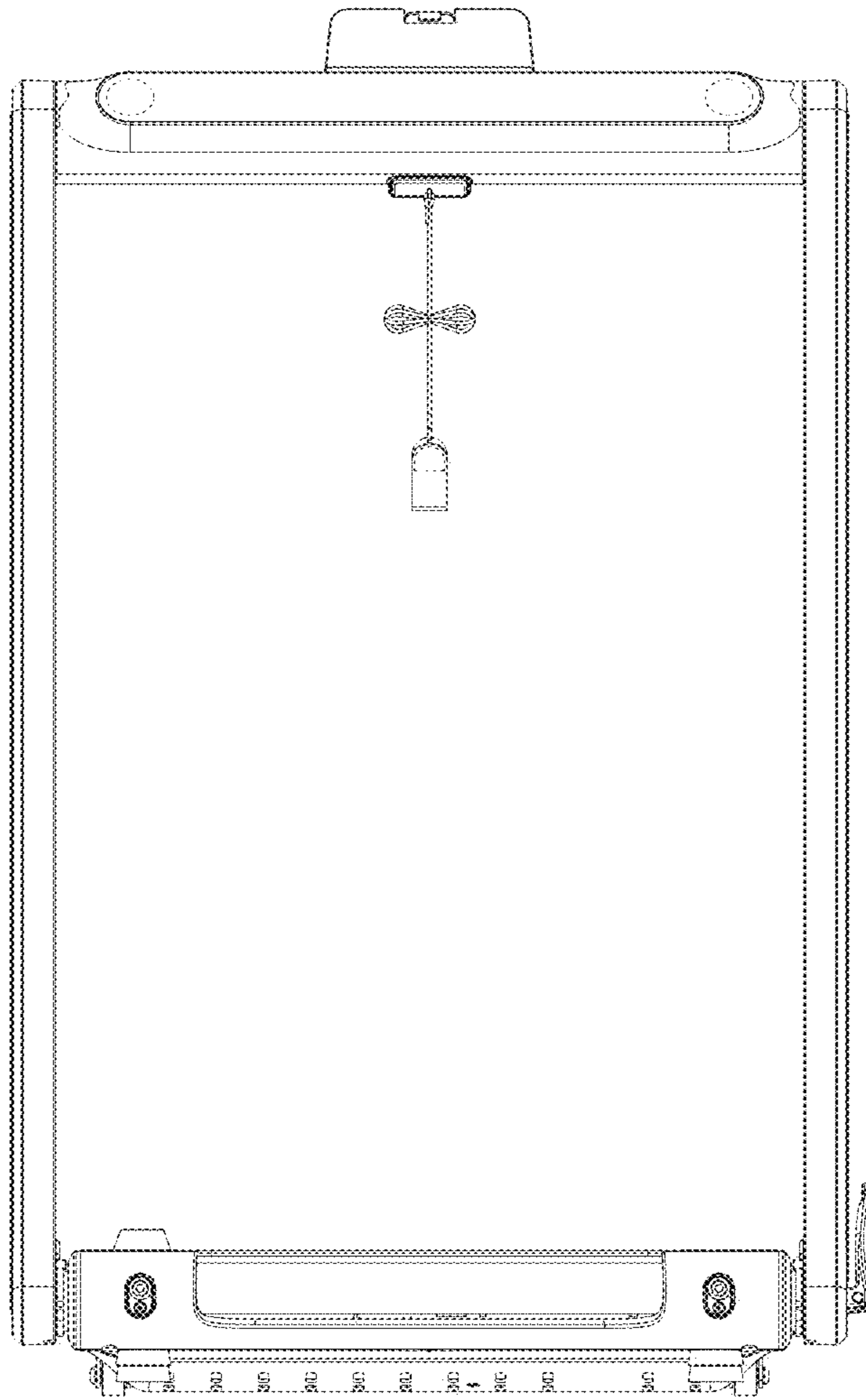


FIG. 2

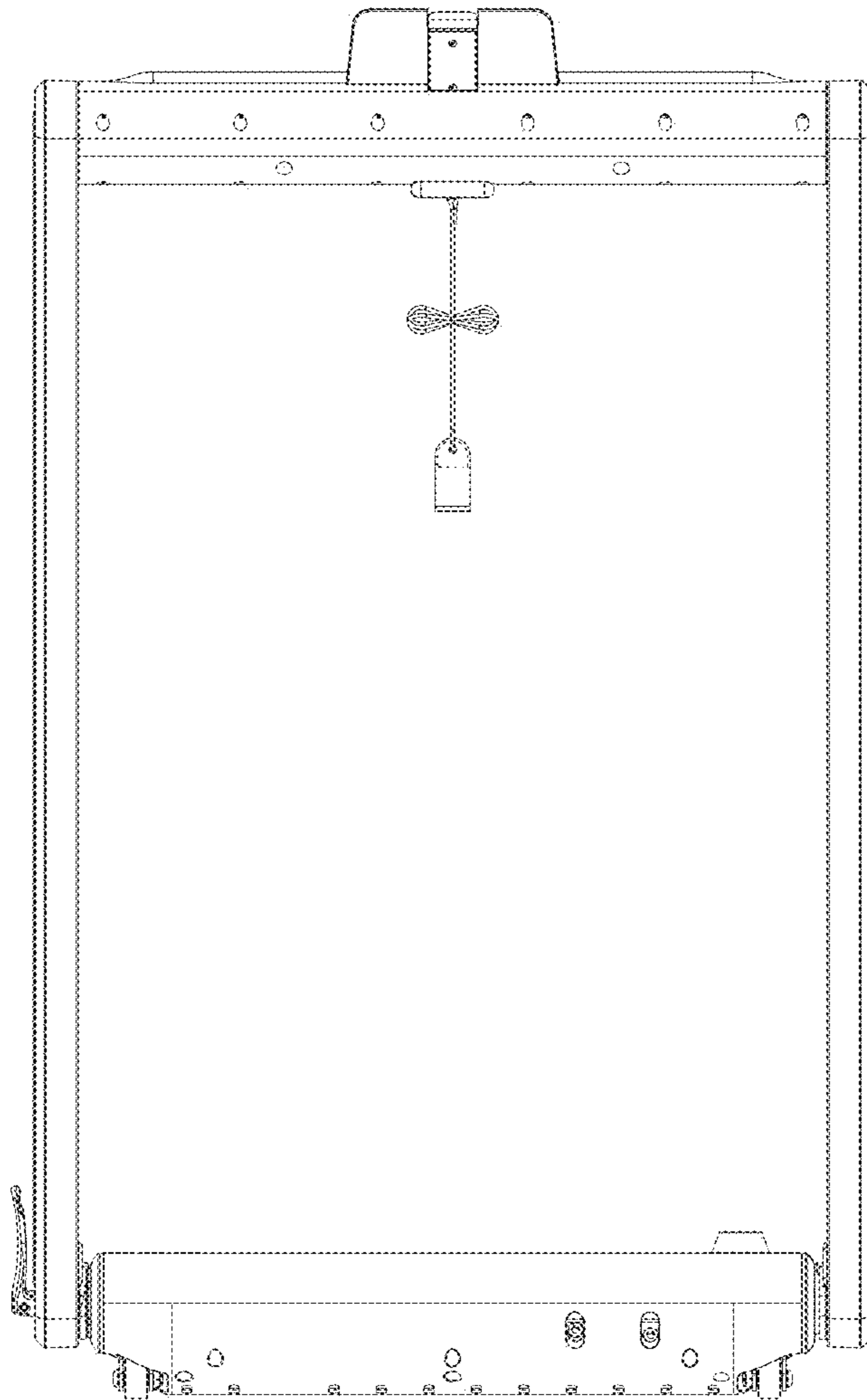


FIG. 3

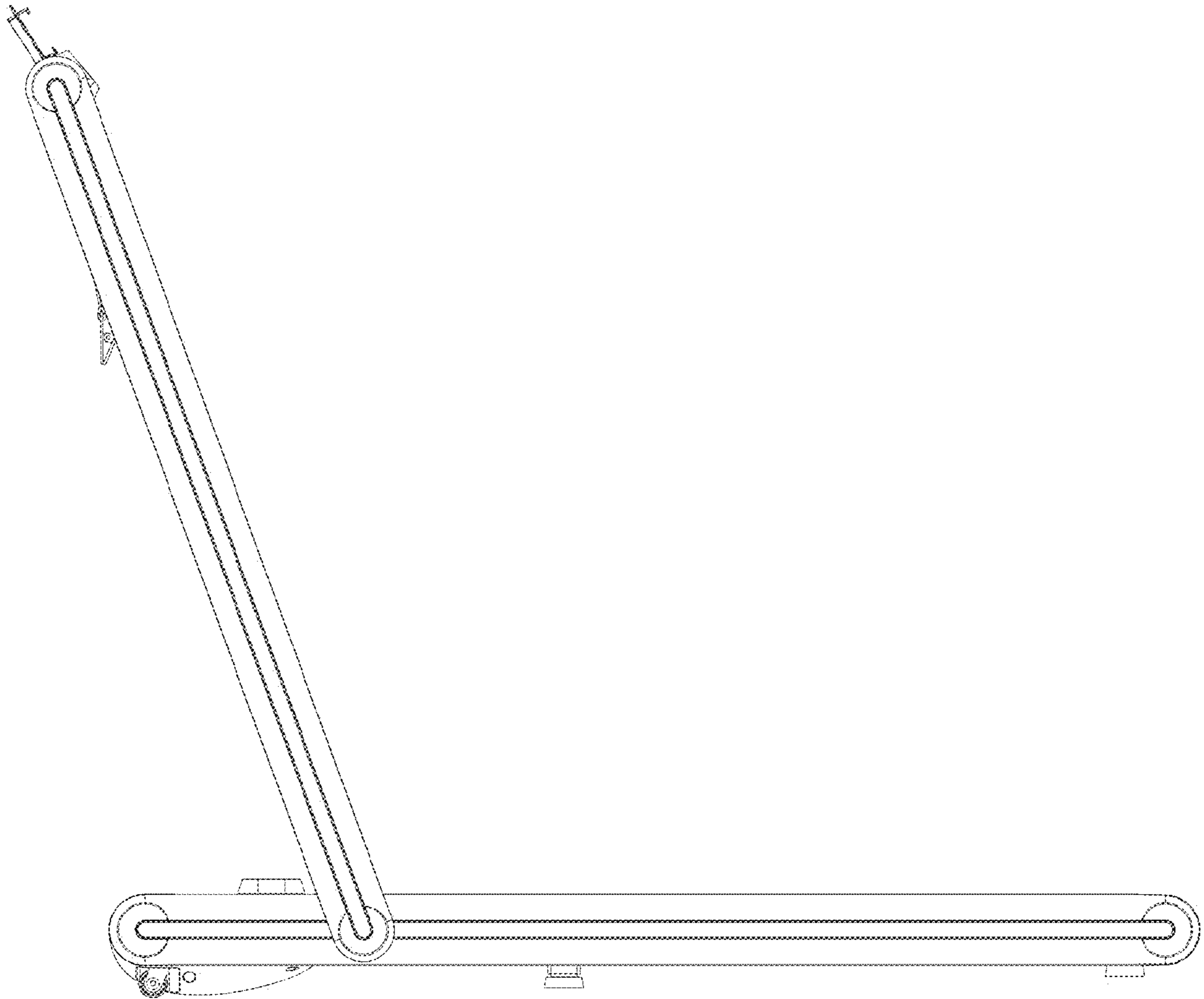


FIG. 4

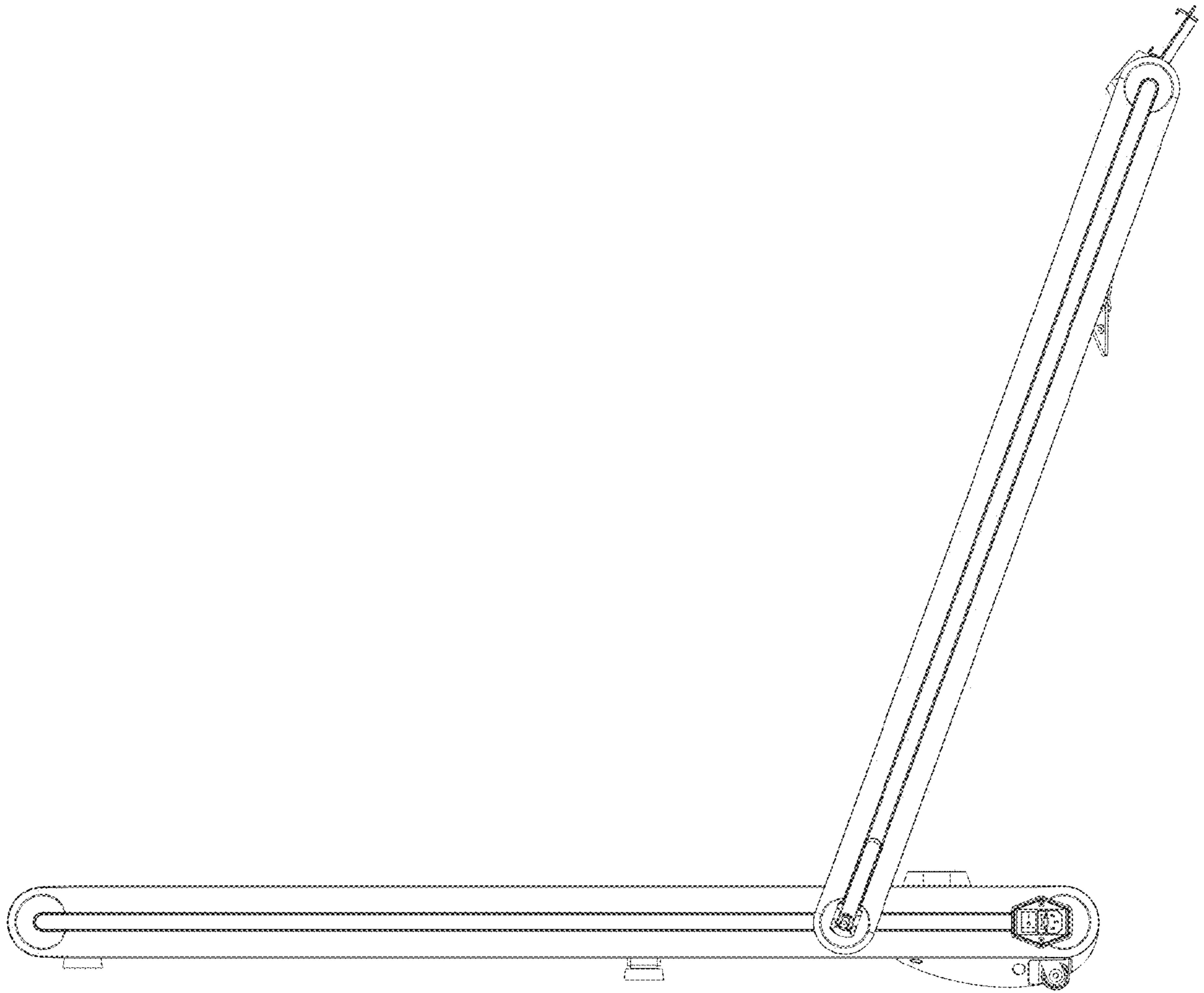


FIG. 5

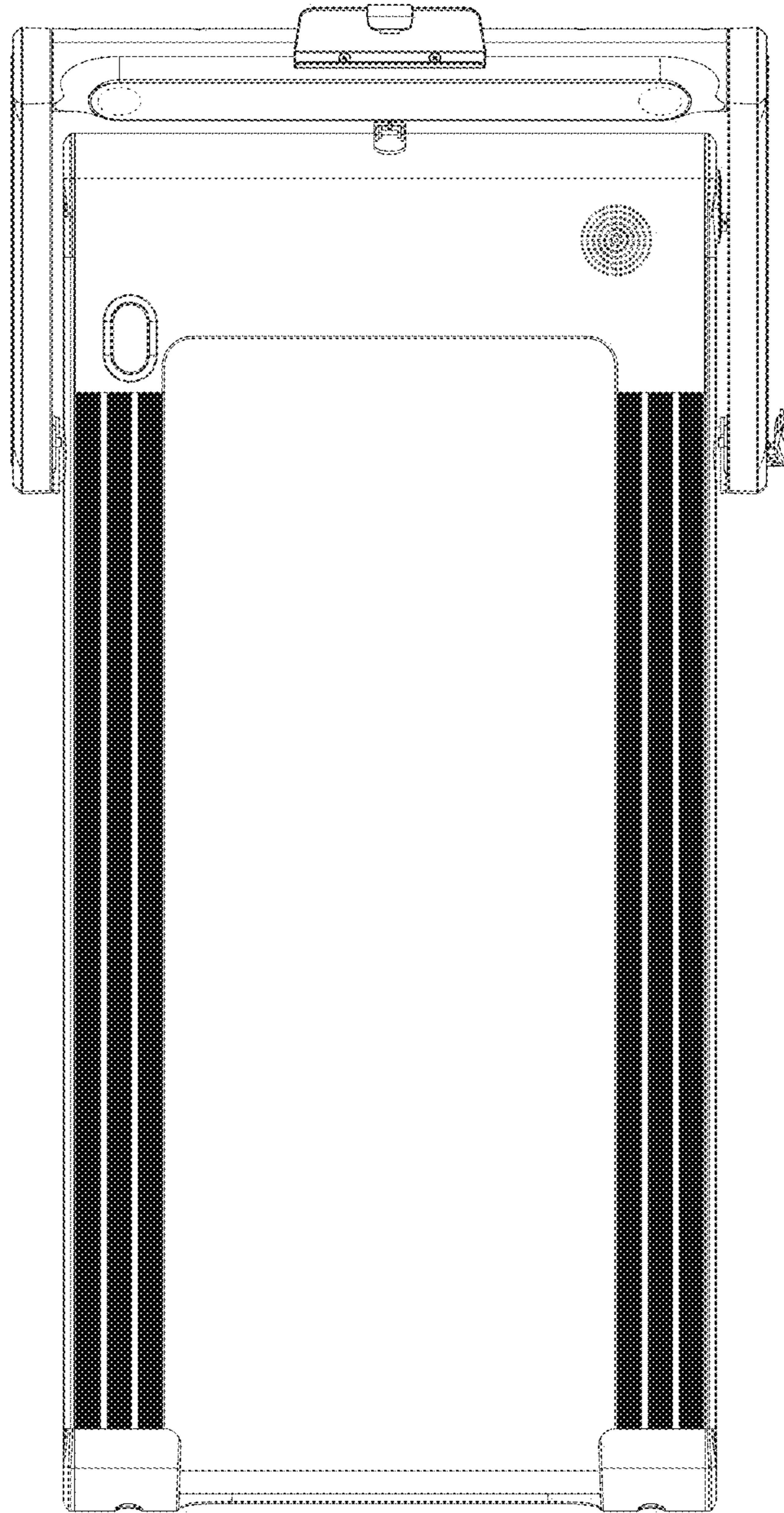


FIG. 6



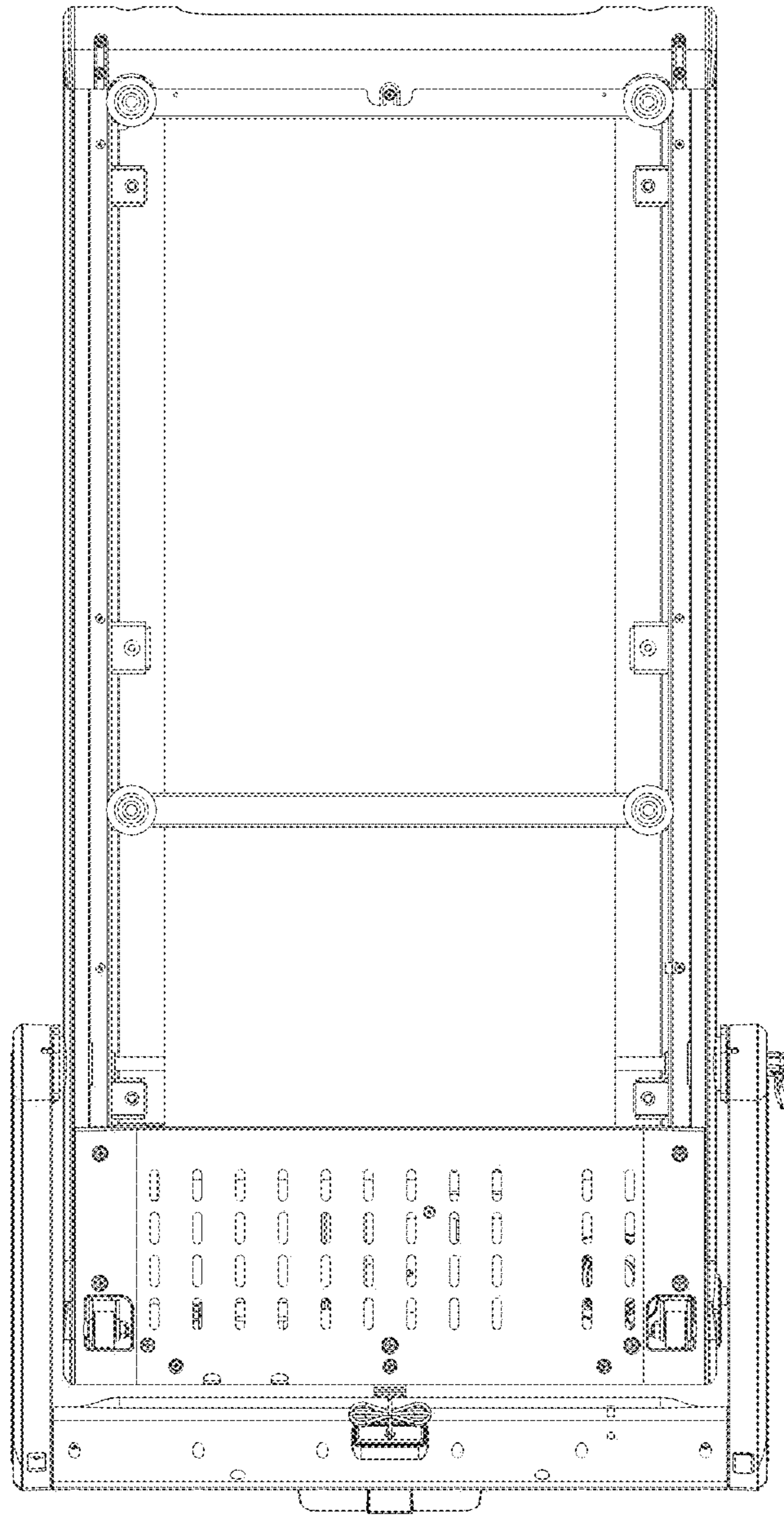


FIG. 7

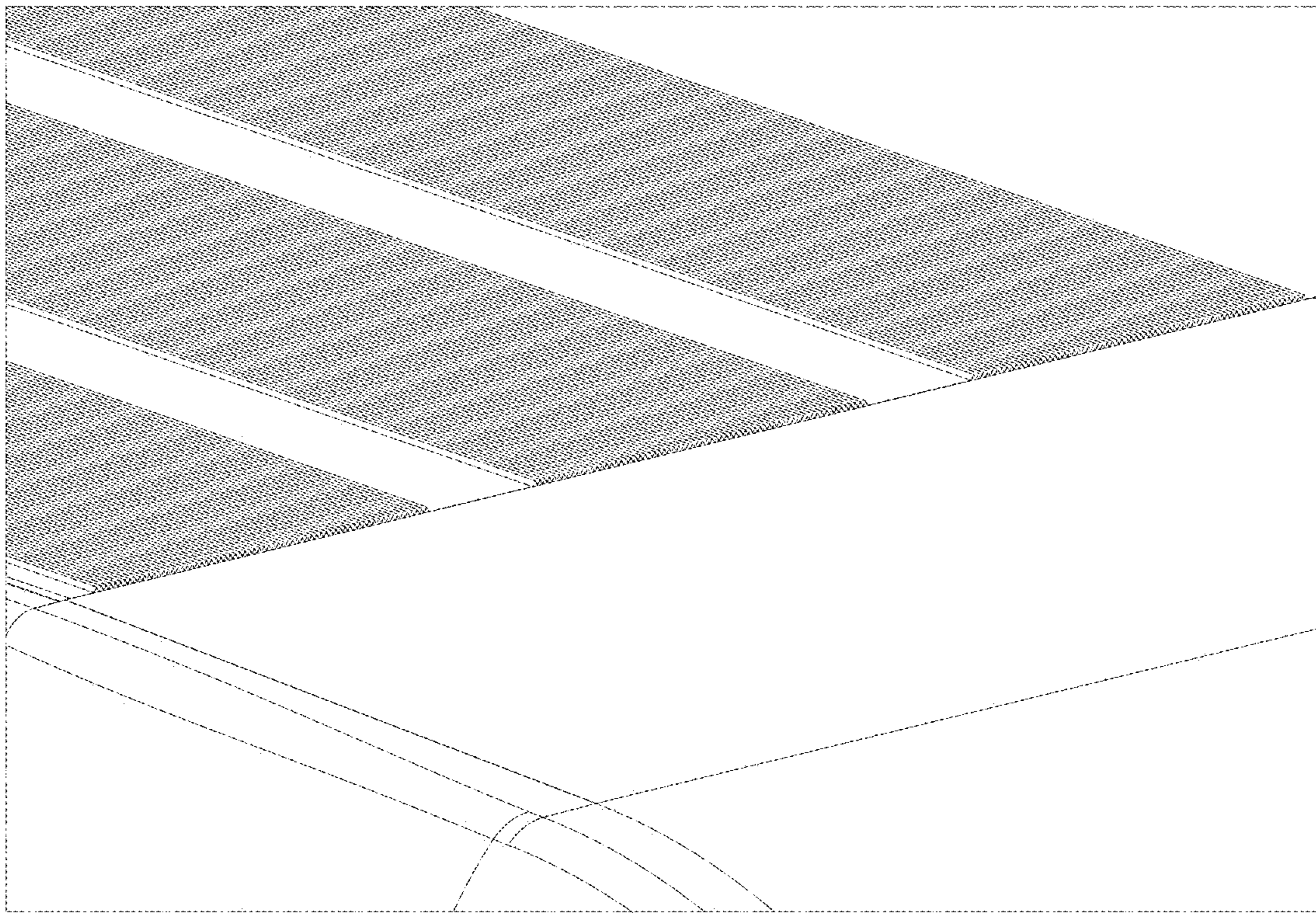


FIG. 8

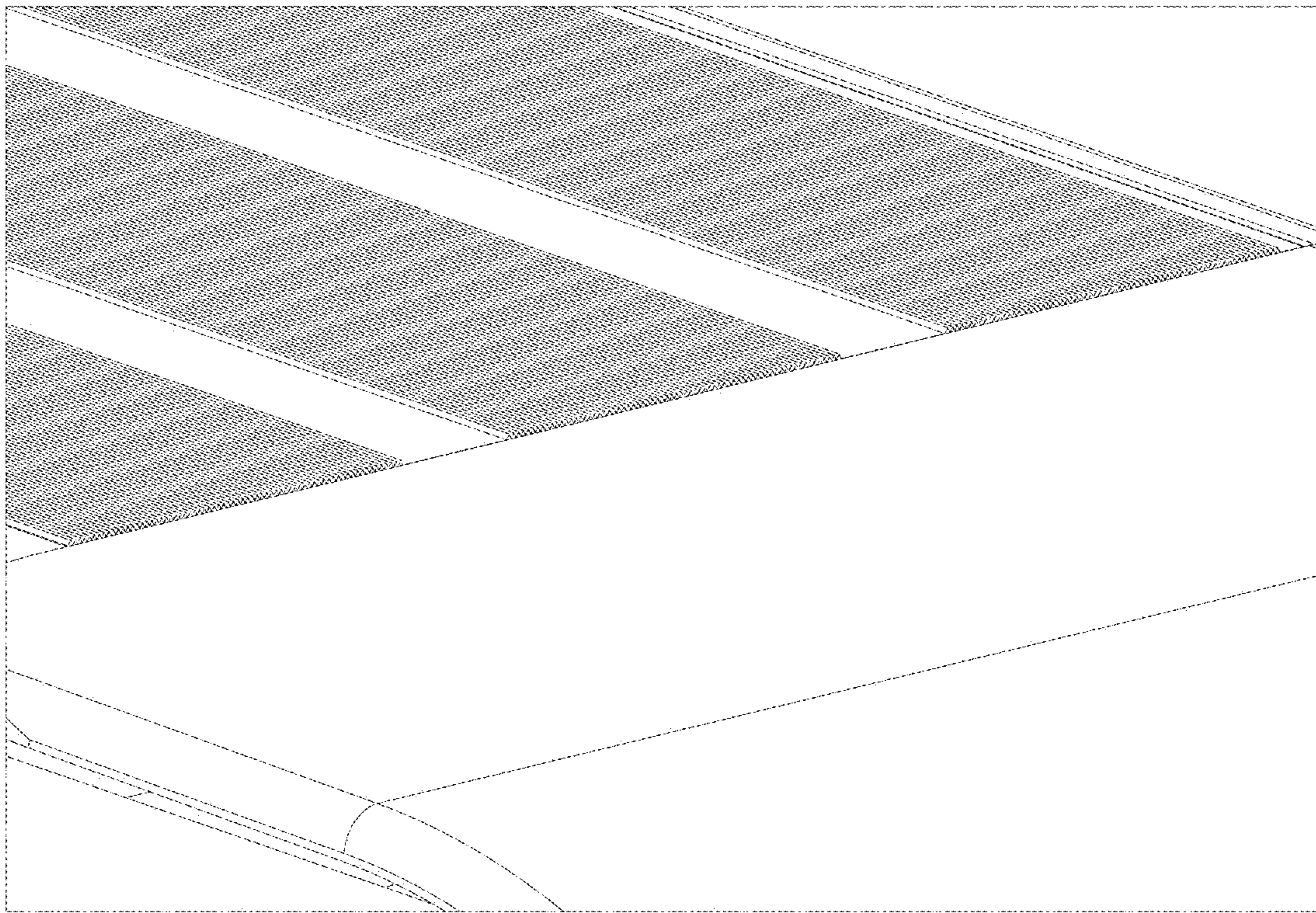


FIG. 9