



US00D934960S

(12) **United States Design Patent** (10) **Patent No.:** **US D934,960 S**  
**Suetake et al.** (45) **Date of Patent:** **\*\* Nov. 2, 2021**

(54) **TRAINING EQUIPMENT**

(71) Applicant: **Nintendo Co., Ltd.**, Kyoto (JP)

(72) Inventors: **Fumiyoshi Suetake**, Kyoto (JP); **Yuko Zenri**, Kyoto (JP); **Yoshitaka Tamura**, Kyoto (JP); **Masato Niwa**, Kyoto (JP); **Yuki Taniguchi**, Kyoto (JP); **Wakana Ohori**, Kyoto (JP)

(73) Assignee: **Nintendo Co., Ltd.**, Kyoto (JP)

(\*\*) Term: **15 Years**

(21) Appl. No.: **29/712,339**

(22) Filed: **Nov. 7, 2019**

(30) **Foreign Application Priority Data**

Aug. 30, 2019 (JP) ..... 2019-019317

(51) **LOC (13) Cl.** ..... **21-02**

(52) **U.S. Cl.**  
USPC ..... **D21/662**

(58) **Field of Classification Search**  
USPC ..... D10/70, 98, 97, 38, 78, 32, 103, 128;  
D14/344, 341; D21/680, 308, 324, 332,  
D21/362, 662, 696; D24/186, 167, 184  
See application file for complete search history.

(56) **References Cited**

**U.S. PATENT DOCUMENTS**

D343,209 S \* 1/1994 Lee ..... D10/97  
5,342,273 A \* 8/1994 Plendl ..... A63B 19/00  
482/122  
5,674,162 A \* 10/1997 Ellingson ..... A63B 21/0608  
482/110  
5,807,217 A \* 9/1998 Endelman ..... A63B 21/0004  
482/122  
D425,267 S \* 5/2000 Kengie ..... D30/160

D445,851 S \* 7/2001 Larkins, Jr. .... D21/662  
D453,067 S \* 1/2002 Cody ..... D2/617  
D458,653 S \* 6/2002 Hsu ..... D21/457  
D462,098 S \* 8/2002 Fazeli ..... D21/456

(Continued)

**FOREIGN PATENT DOCUMENTS**

JP 1389113 6/2010  
JP 1389114 6/2010

(Continued)

**OTHER PUBLICATIONS**

Nintendo ring fit, announced 2019 [online], [site visited Apr. 19, 2021]. Available on internet, URL:https://www.amazon.com/Ring-Fit-Adventure-Nintendo-Switch/dp/B07XV4NHHN (Year: 2019).\*

(Continued)

*Primary Examiner* — Khawaja Anwar  
*Assistant Examiner* — Julice Seung Eun Oum  
(74) *Attorney, Agent, or Firm* — Nixon & Vanderhye PC

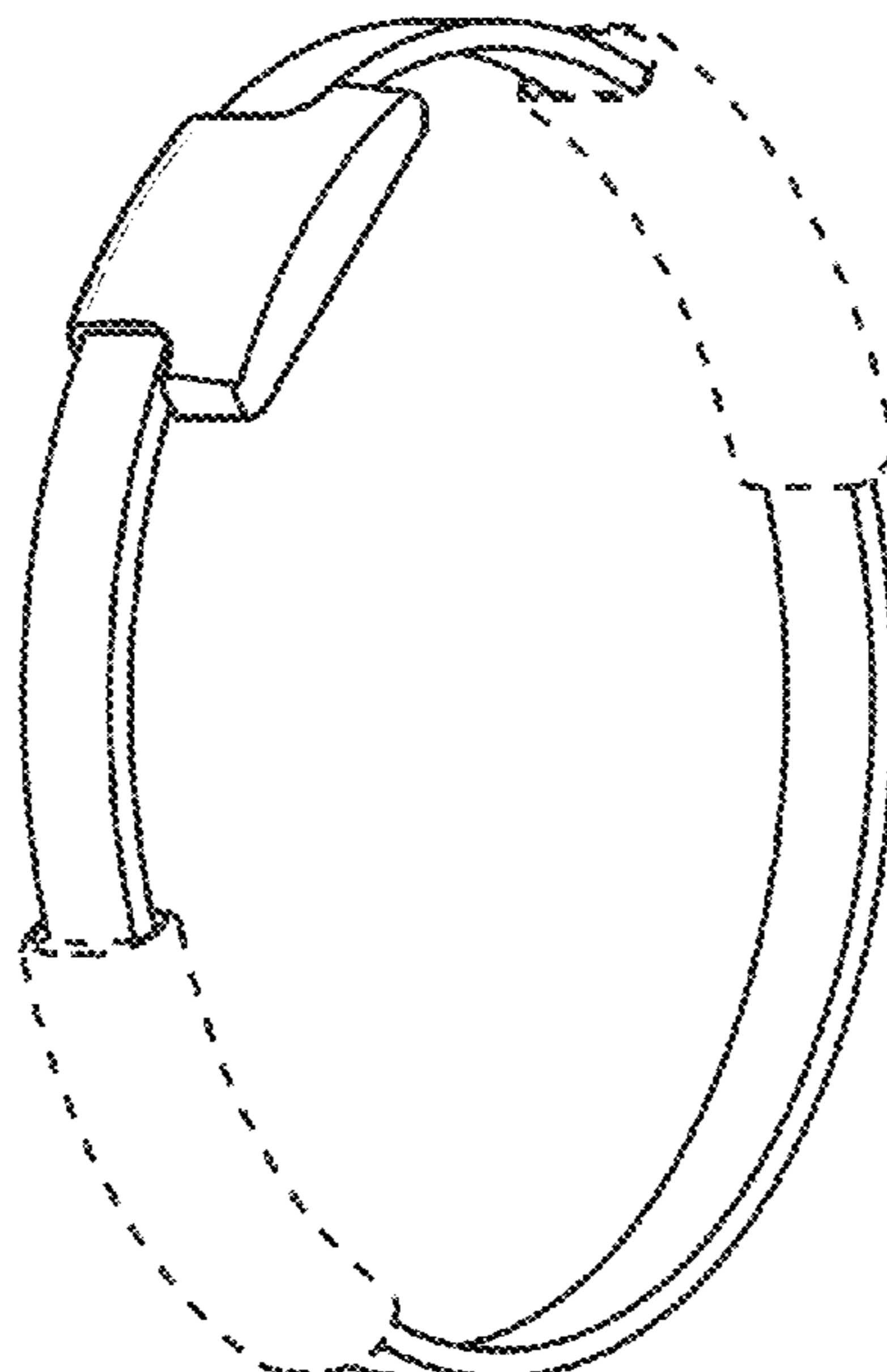
(57) **CLAIM**

The ornamental design for training equipment, as shown and described.

**DESCRIPTION**

FIG. 1 is a first perspective of training equipment showing our new design;  
FIG. 2 is a second perspective view thereof;  
FIG. 3 is a front view thereof;  
FIG. 4 is a back view thereof;  
FIG. 5 is a top view thereof;  
FIG. 6 is a bottom view thereof;  
FIG. 7 is a right view thereof; and,  
FIG. 8 is a left view thereof.  
The broken lines show portions of the training equipment that form no part of the claimed design.

**1 Claim, 8 Drawing Sheets**



(56)

**References Cited**

U.S. PATENT DOCUMENTS

D464,385 S \* 10/2002 Lo ..... D21/662  
6,733,427 B1 \* 5/2004 He ..... A63B 21/0004  
482/121  
D730,228 S \* 5/2015 Kuo ..... D10/128  
D731,600 S \* 6/2015 Bouckaert ..... D21/662  
D739,943 S \* 9/2015 Pernu ..... D24/167  
D772,226 S \* 11/2016 Zenoff ..... D14/344  
D782,053 S \* 3/2017 Ferguson-Shakir ..... D24/186  
D804,471 S \* 12/2017 von Badinski ..... D14/344  
D817,496 S \* 5/2018 Stirn ..... D24/167  
D840,254 S \* 2/2019 Nguyen ..... D10/70  
10,870,047 B1 \* 12/2020 Kawamoto ..... A63B 21/028  
2018/0368369 A1 \* 12/2018 Greene ..... A01K 15/04  
2020/0237262 A1 \* 7/2020 Todd ..... A61B 5/7267  
2020/0398155 A1 \* 12/2020 Niwa ..... A63F 13/245  
2021/0031112 A1 \* 2/2021 Dugan ..... A61B 5/0002  
2021/0109480 A1 \* 4/2021 Wang ..... G04C 1/082

FOREIGN PATENT DOCUMENTS

JP 1439439 5/2012  
JP 3020190030490 \* 12/2018

OTHER PUBLICATIONS

Suetake et al., U.S. Appl. No. 29/712,335, filed Nov. 7, 2019.  
Explanation of Situation for Accelerated Examination filed on Oct.  
31, 2019 in corresponding Japanese Design Application No. 2019-  
019317 (with translation), 18 pages.

\* cited by examiner

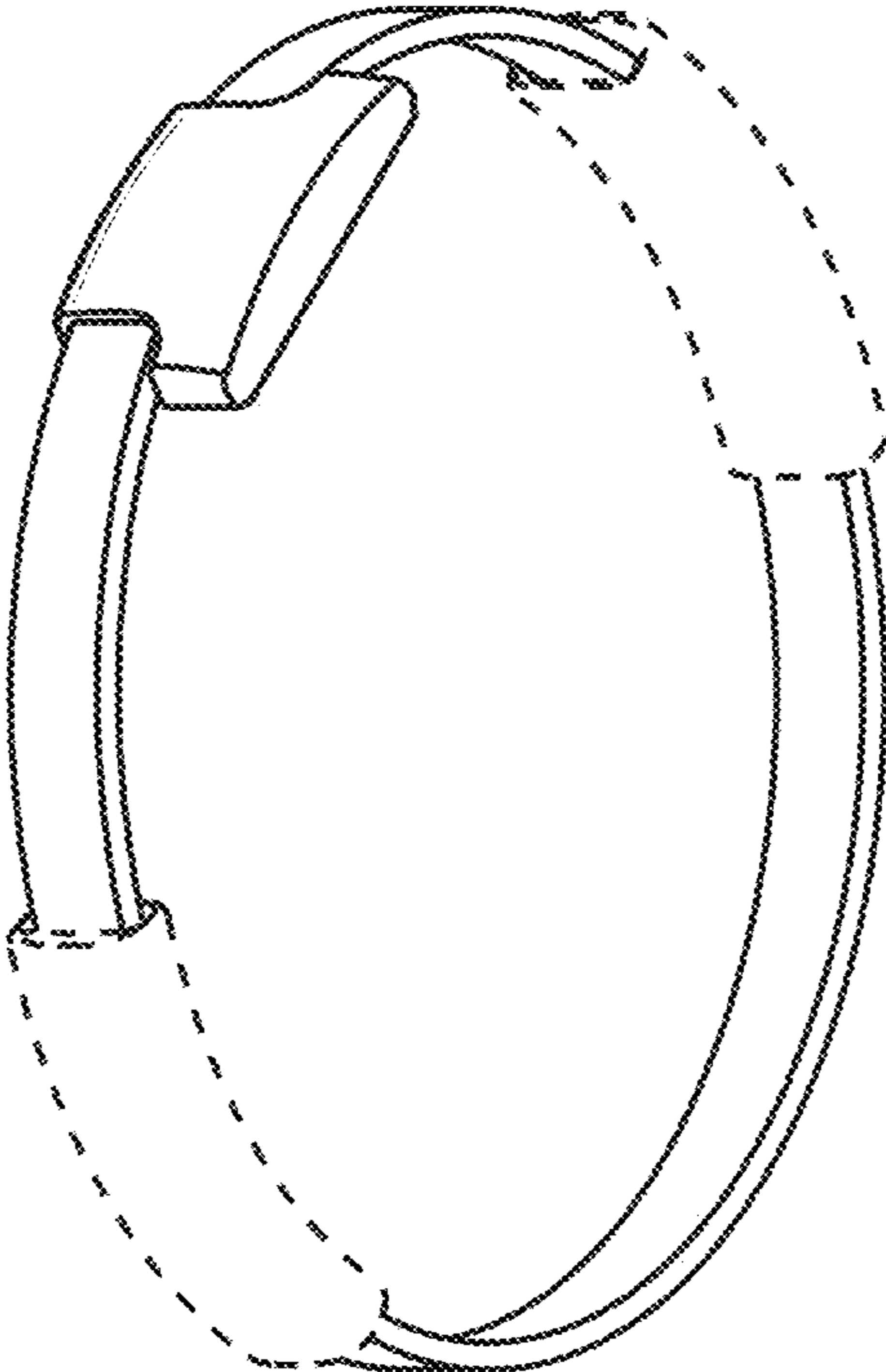


Fig. 1

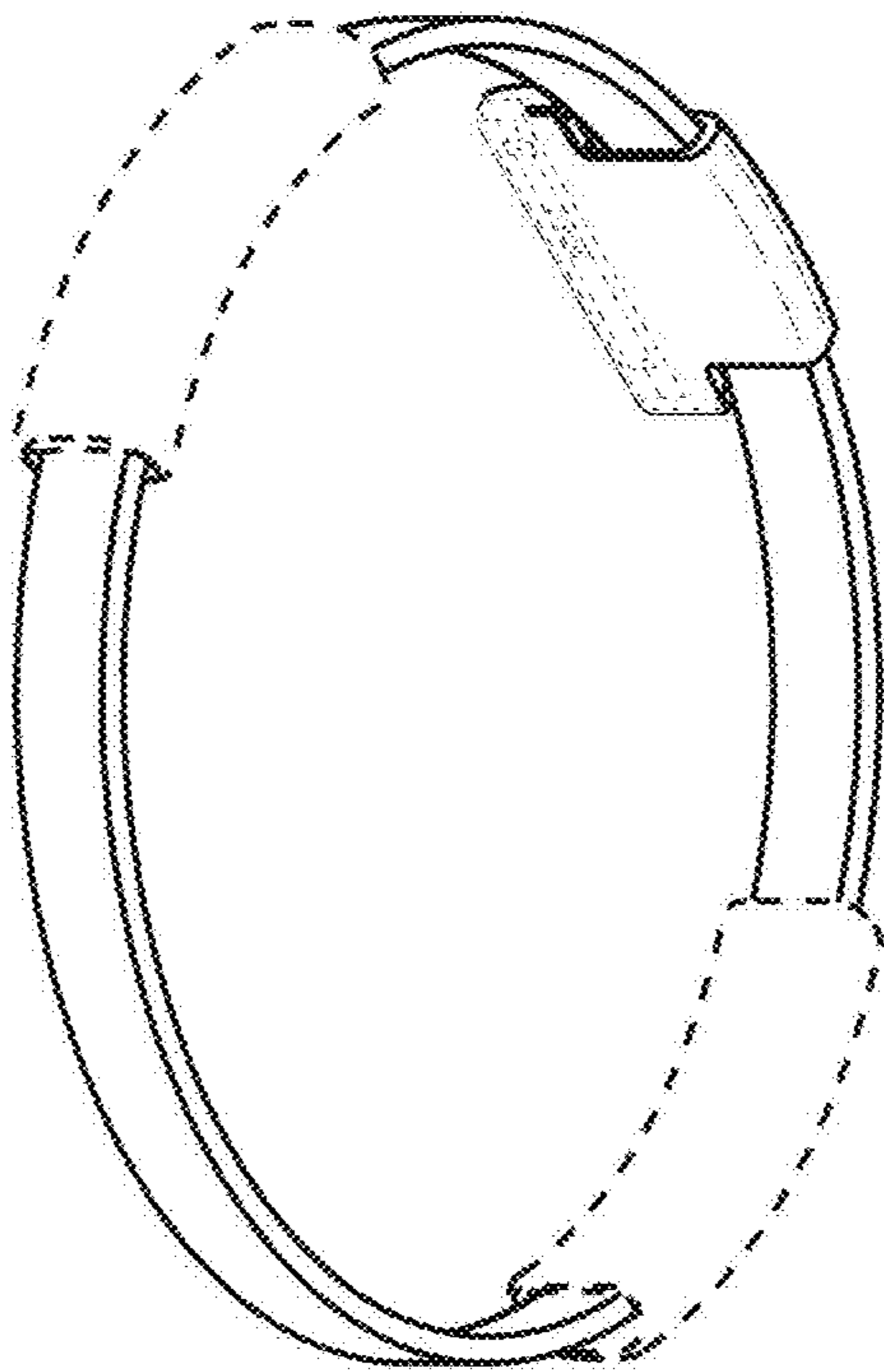


Fig.2

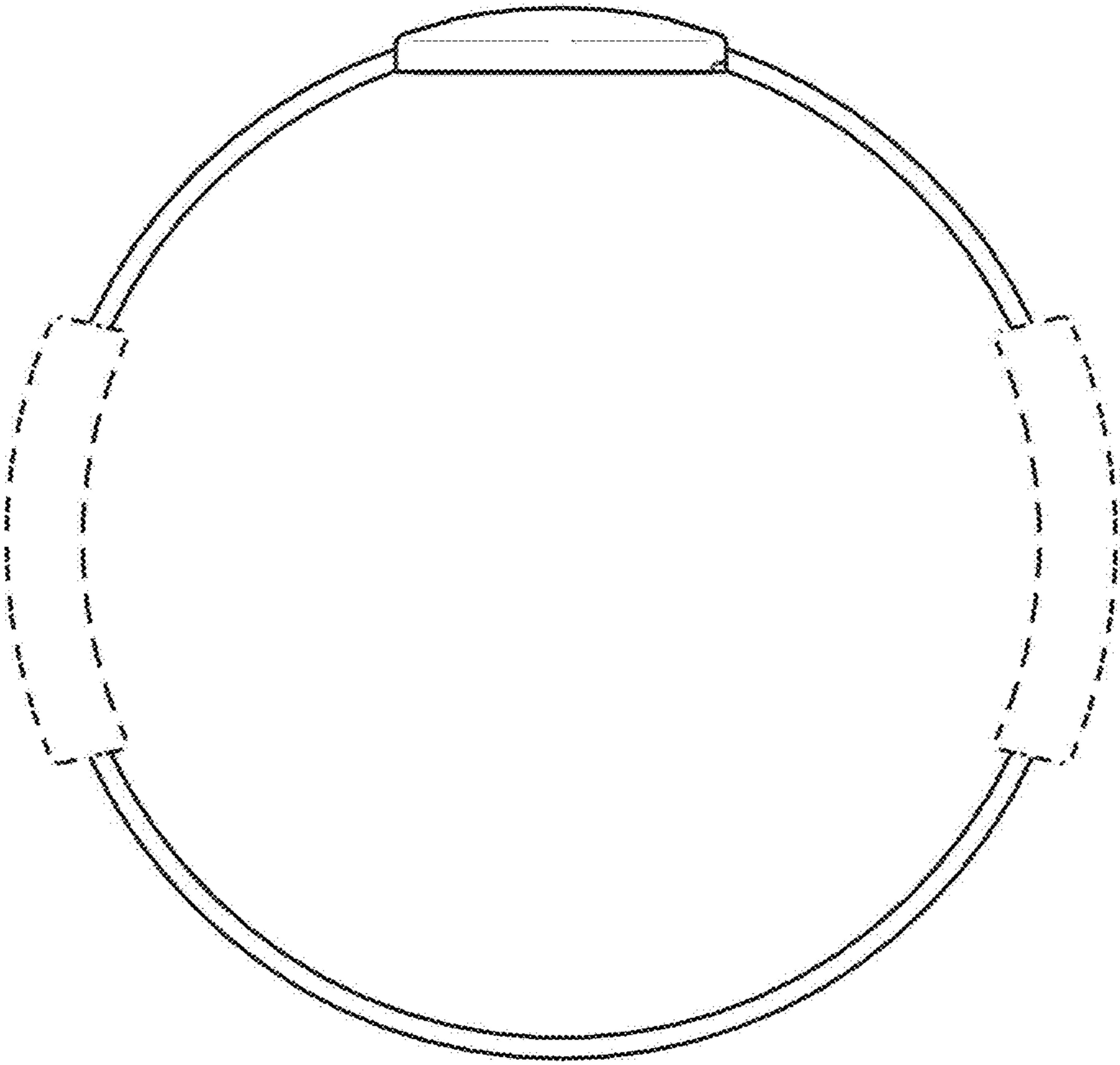


Fig.3

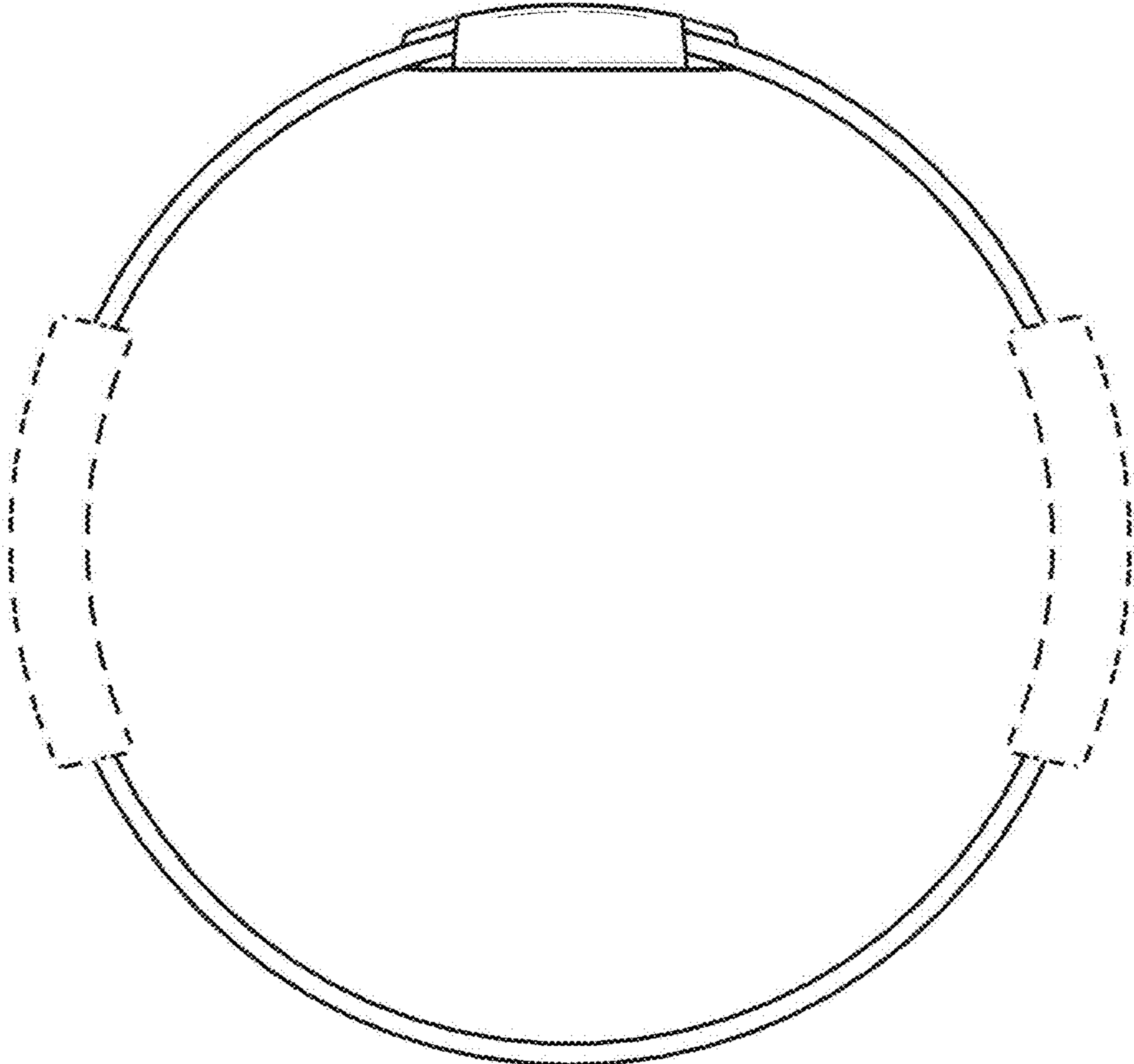


Fig.4



Fig.5

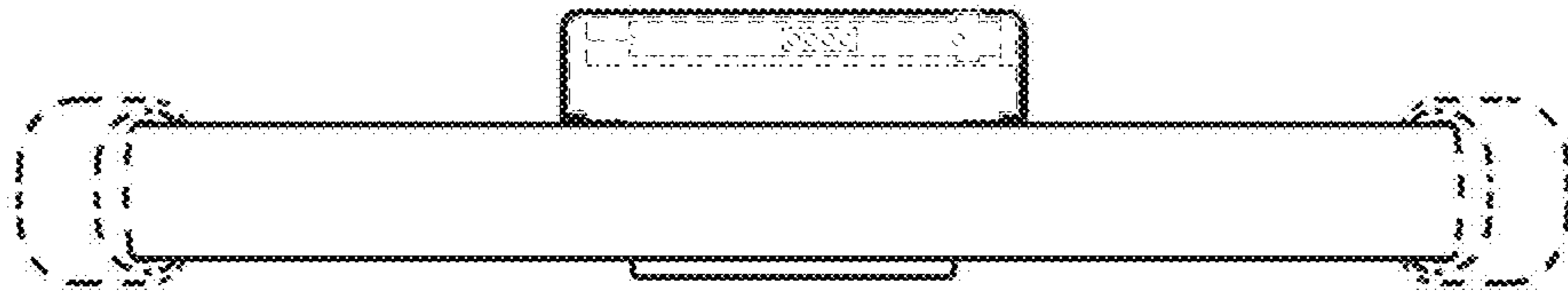


Fig.6



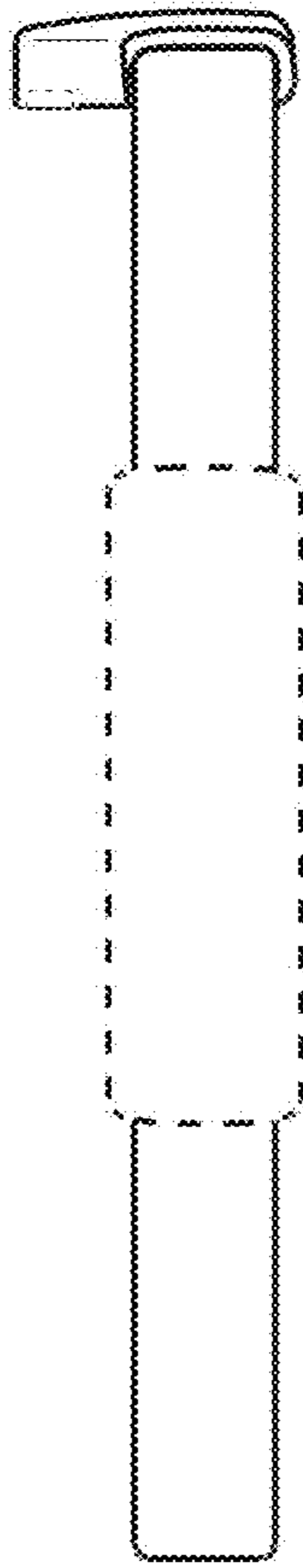


Fig.7

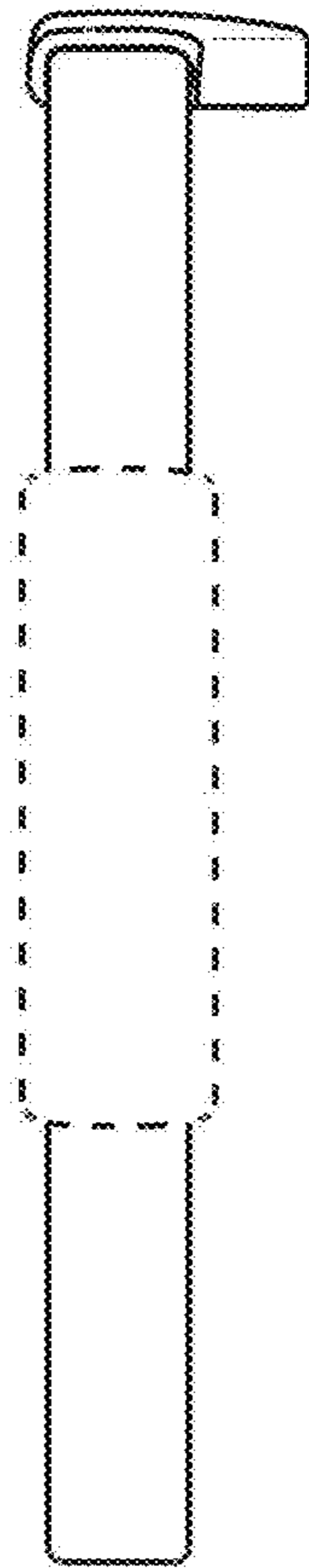


Fig.8