



US00D934958S

(12) **United States Design Patent** (10) **Patent No.:** **US D934,958 S**  
**Du** (45) **Date of Patent:** **\*\* Nov. 2, 2021**

(54) **DRONE CONTROLLER**

(71) Applicant: **Chao Du**, Shantou (CN)

(72) Inventor: **Chao Du**, Shantou (CN)

(\*\*) Term: **15 Years**

(21) Appl. No.: **29/701,825**

(22) Filed: **Aug. 15, 2019**

(51) **LOC (13) Cl.** ..... **21-01**

(52) **U.S. Cl.**  
USPC ..... **D21/566**

(58) **Field of Classification Search**  
USPC ..... D21/566, 568, 567, 569, 570, 571, 436,  
D21/441, 453, 454; D12/16.1; D14/496  
CPC ..... G08C 17/02; A63H 30/04; A63H 29/22;  
A63H 27/02  
See application file for complete search history.

(56) **References Cited**

**U.S. PATENT DOCUMENTS**

D710,946 S *	8/2014	Biheller	.....	G08C 17/02
				D21/333
D839,968 S *	2/2019	Kim	.....	D21/566
D844,073 S *	3/2019	Kim	.....	D21/566
D844,716 S *	4/2019	Gan	.....	D21/566
D864,312 S *	10/2019	Kim	.....	D21/566
D868,177 S *	11/2019	Chen	.....	D21/566
D898,130 S *	10/2020	Zhou	.....	D21/566
D899,529 S *	10/2020	Chen	.....	D21/566
2019/0236934 A1 *	8/2019	Kitazawa	.....	G08C 17/02

**FOREIGN PATENT DOCUMENTS**

CN	305104757	*	4/2019	
CN	305126101	*	4/2019	
CN	305182901	*	5/2019	
CN	109961624 A	*	7/2019	..... G08C 17/02
CN	305265945	*	7/2019	
CN	110170175 A	*	8/2019	..... A63F 13/235

EP	2606946	A2 *	6/2013	.....	A63F 13/23
FR	3028186	A1 *	5/2016	.....	A63H 30/04
FR	3054823	A1 *	2/2018	.....	G05D 1/0038
WO	WO-2018209764	A1 *	11/2018	.....	A63H 30/04

**OTHER PUBLICATIONS**

“SJRC F11 Z5 GPS Drone Smart Folding Design,” Oct. 29, 2018, youtube.com, site visited May 18, 2021, URL: <https://www.youtube.com/watch?v=iihhlqPRpo> (Year: 2018).\*  
“RC GearPro Foldable Tablet Holder,” Nov. 16, 2018, amazon.com, site visited May 6, 2021, URL: <https://www.amazon.com/RC-GearPro-Foldable-Controller-CrystalSky/dp/B07KM39YJD> (Year: 2018).\*

(Continued)

*Primary Examiner* — Eric L Goodman  
*Assistant Examiner* — Sarah L Smith

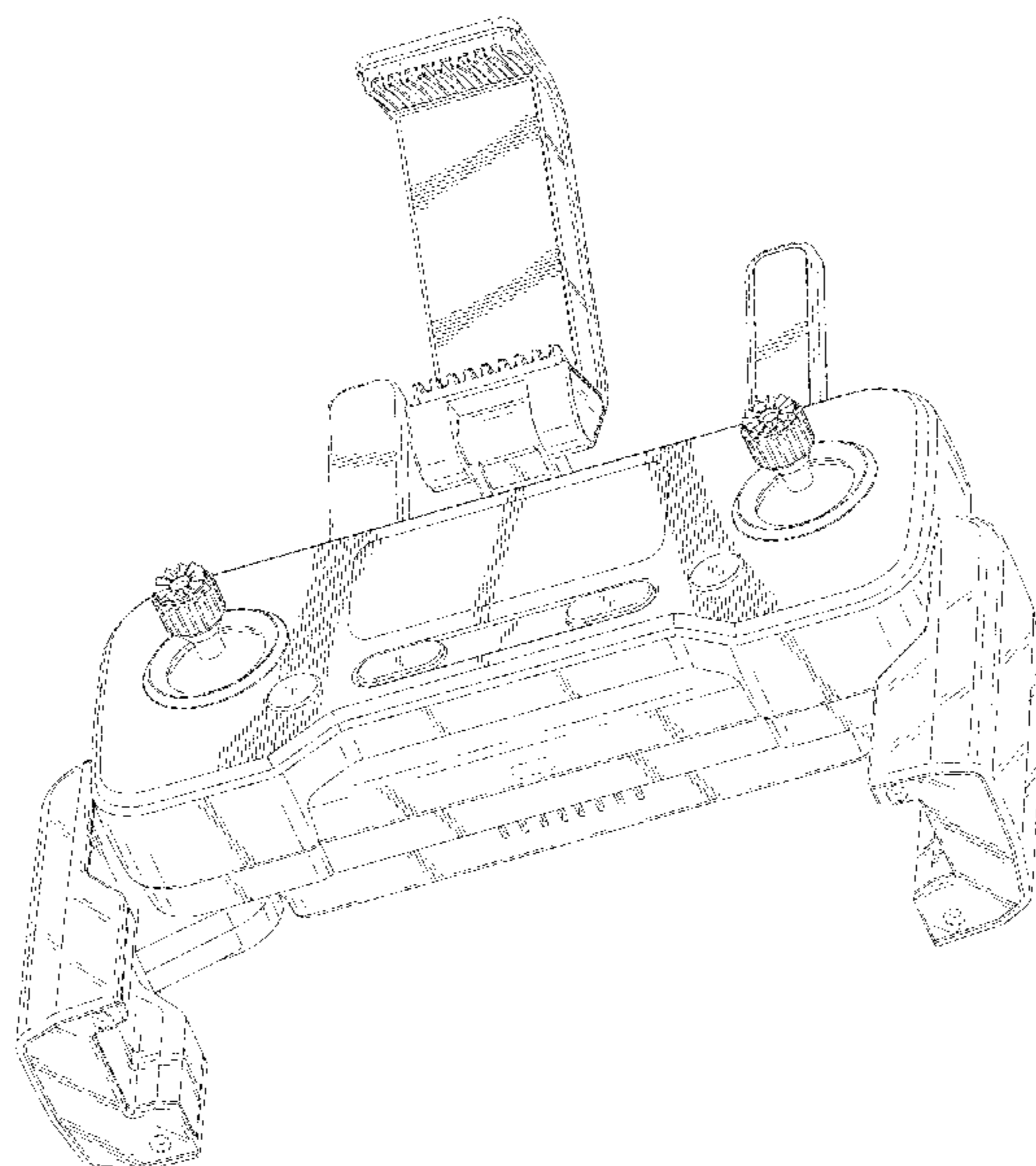
(57) **CLAIM**

The ornamental design for a drone controller, as shown and described.

**DESCRIPTION**

FIG. 1 is a front perspective view of the drone controller showing my new design;  
FIG. 2 is a front elevational view thereof;  
FIG. 3 is a rear elevational view thereof;  
FIG. 4 is a left side elevational view thereof;  
FIG. 5 is a right side elevational view thereof;  
FIG. 6 is a top plan view thereof;  
FIG. 7 is a bottom plan view thereof; and,  
FIG. 8 is another front perspective view thereof, showing the drone controller in a folded position.  
The broken lines in the figures depict the portions that form no part of the claimed design.

**1 Claim, 8 Drawing Sheets**



(56)

**References Cited**

OTHER PUBLICATIONS

“Rantow 4 to 12 inch Foldable Phone,” Jun. 11, 2018, amazon.ca, site visited May 6, 2021, URL: [https://www.amazon.ca/Rantow-Foldable-Controller-Smartphone-Extended/dp/B077TJ2V6G/ref=sr\\_1\\_29?dchild=1&keywords=Hooshion+Drone+Tablet+Mount+Phone+Holder&qid=1620243360&sr=8-29](https://www.amazon.ca/Rantow-Foldable-Controller-Smartphone-Extended/dp/B077TJ2V6G/ref=sr_1_29?dchild=1&keywords=Hooshion+Drone+Tablet+Mount+Phone+Holder&qid=1620243360&sr=8-29) (Year: 2018).\*

“Remote Controller Overview,” Jun. 25, 2018, youtube.com, site visited May 6, 2021, URL: <https://www.youtube.com/watch?v=JqwUcgJHLIk> (Year: 2018).\*

“PGYTECH Phone Monitor Hood Remote Control Cover,” Jul. 20, 2018, amazon.com, site visited May 6, 2021, URL: <https://www.amazon.com/dp/B07FR63WT2/> (Year: 2018).\*

\* cited by examiner

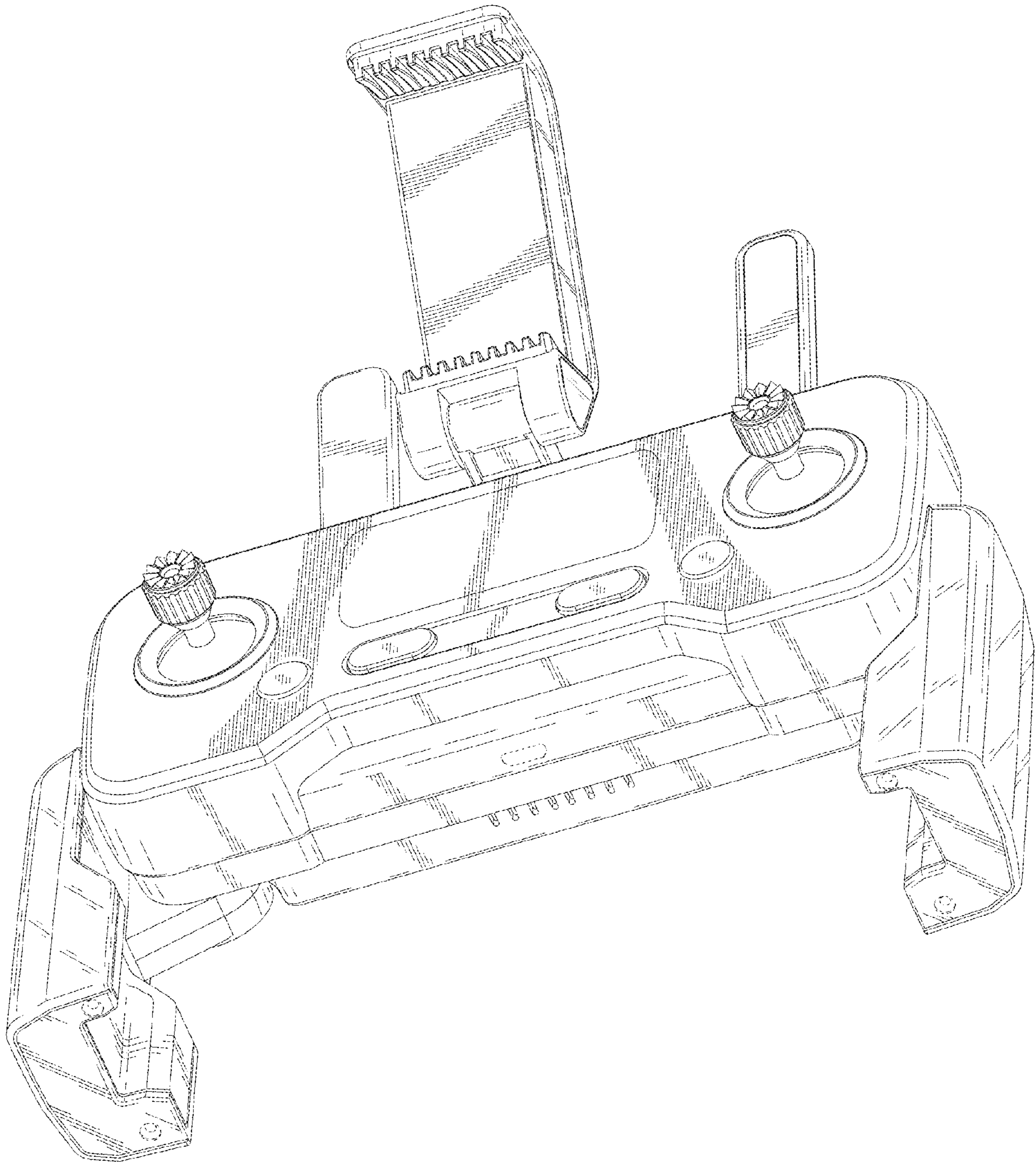


FIG. 1

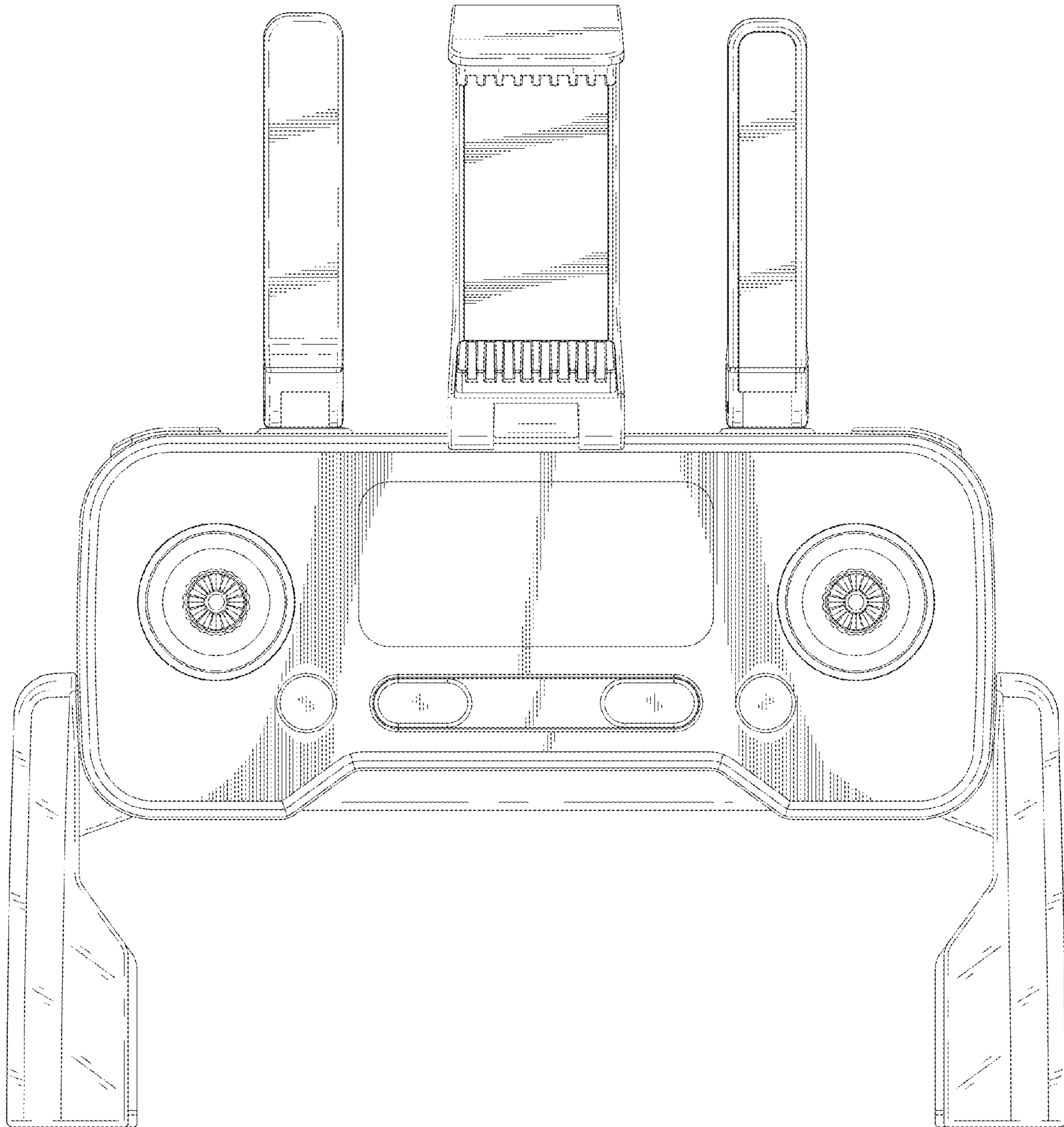


FIG. 2

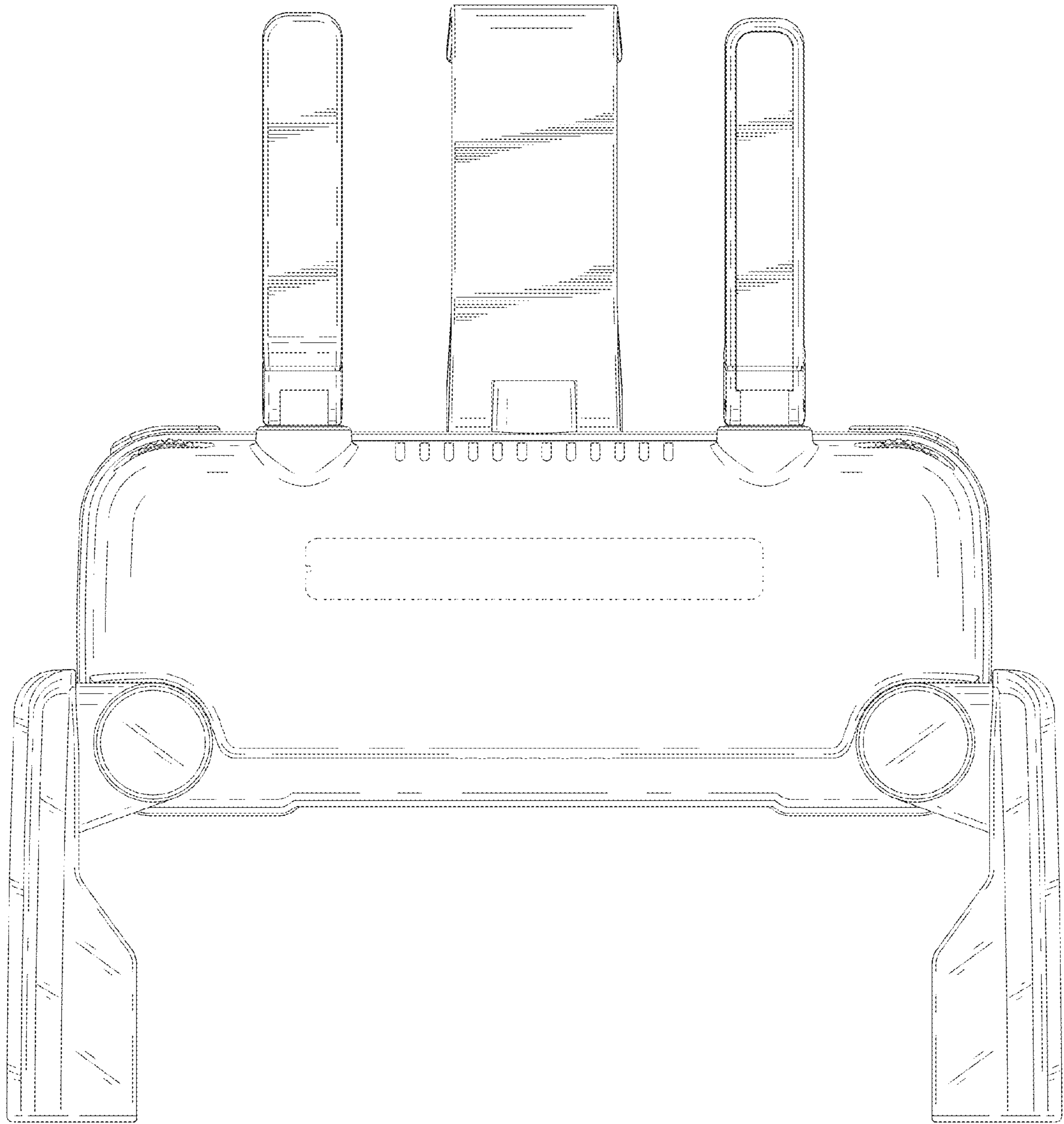


FIG. 3

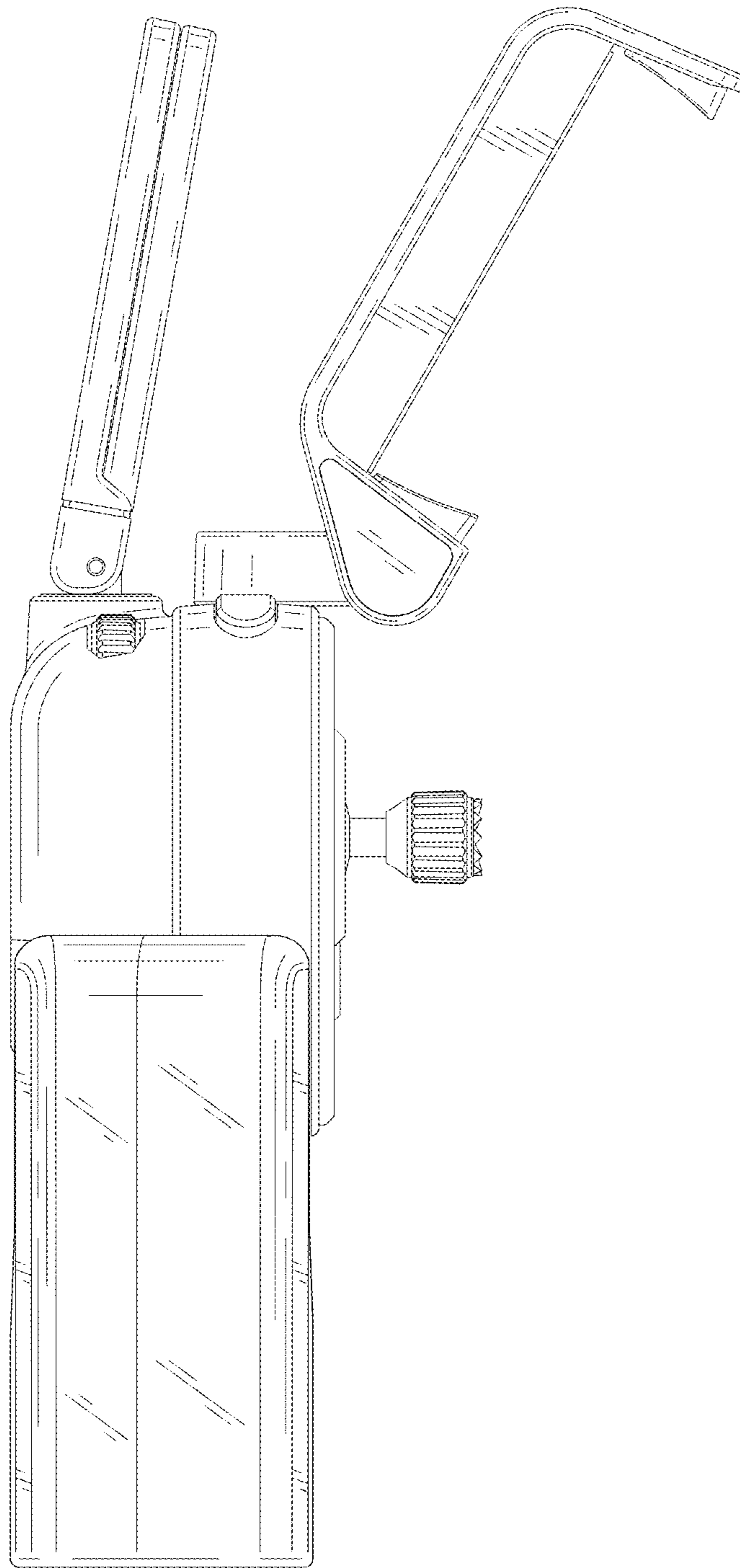


FIG. 4

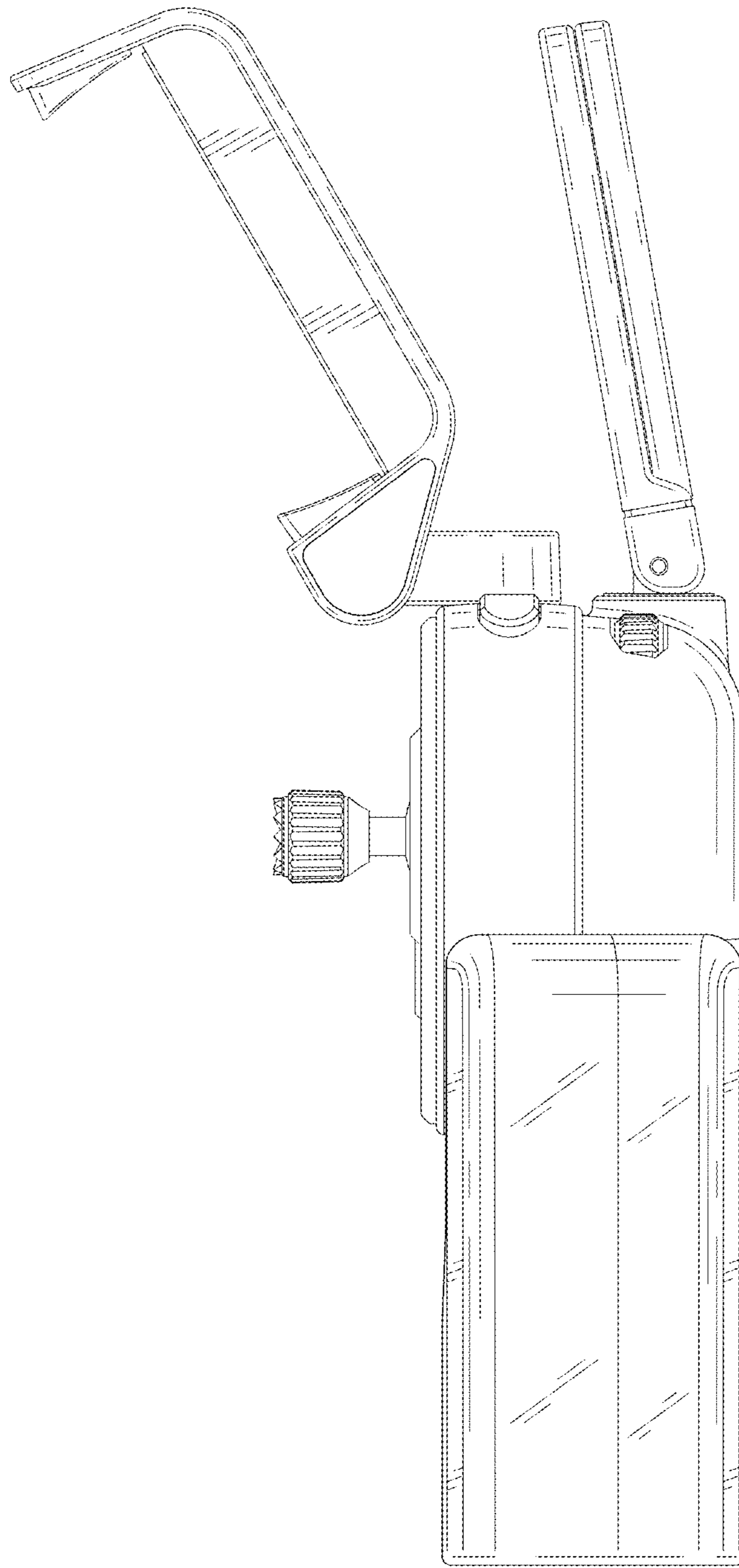


FIG. 5

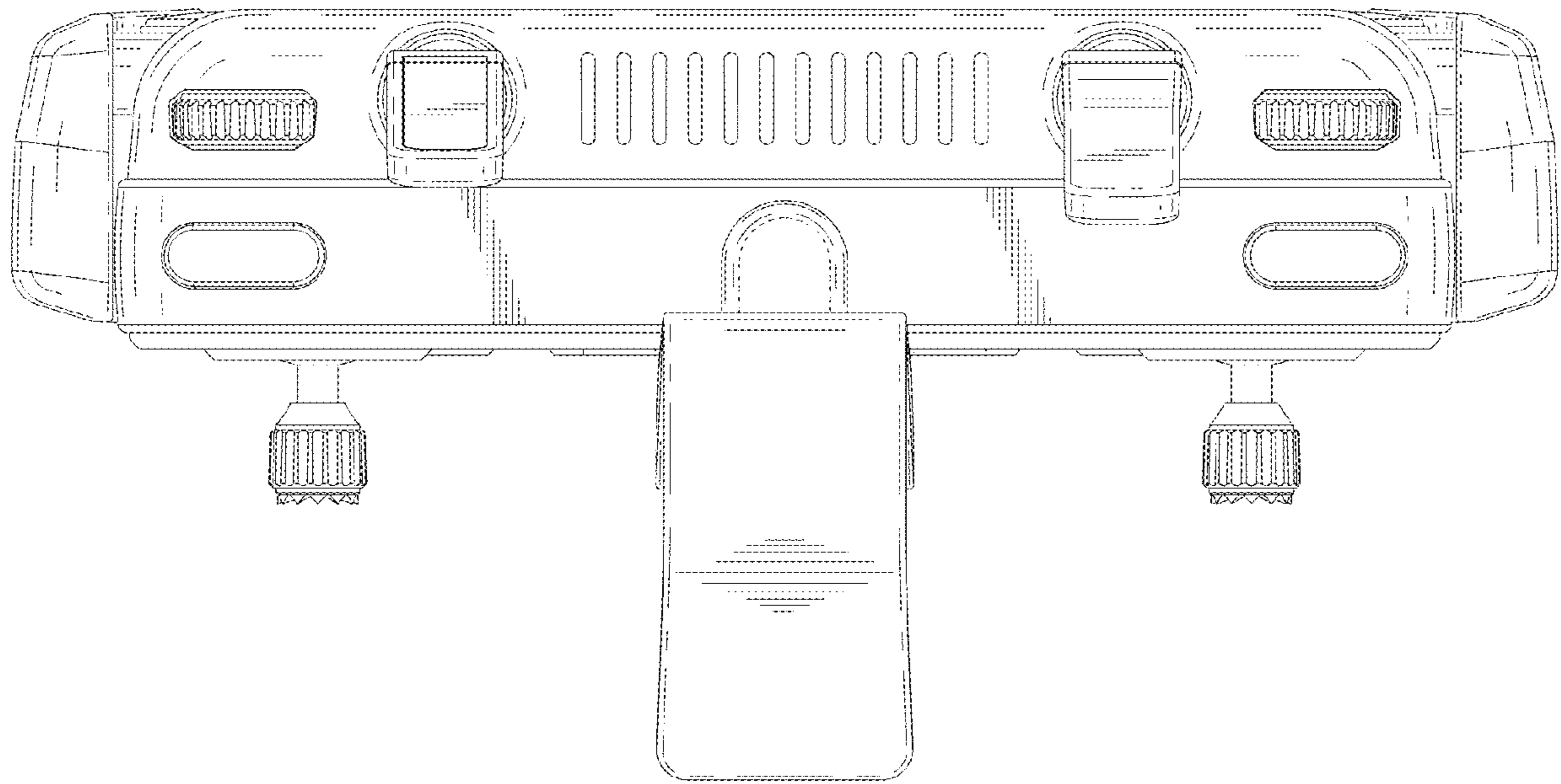


FIG. 6



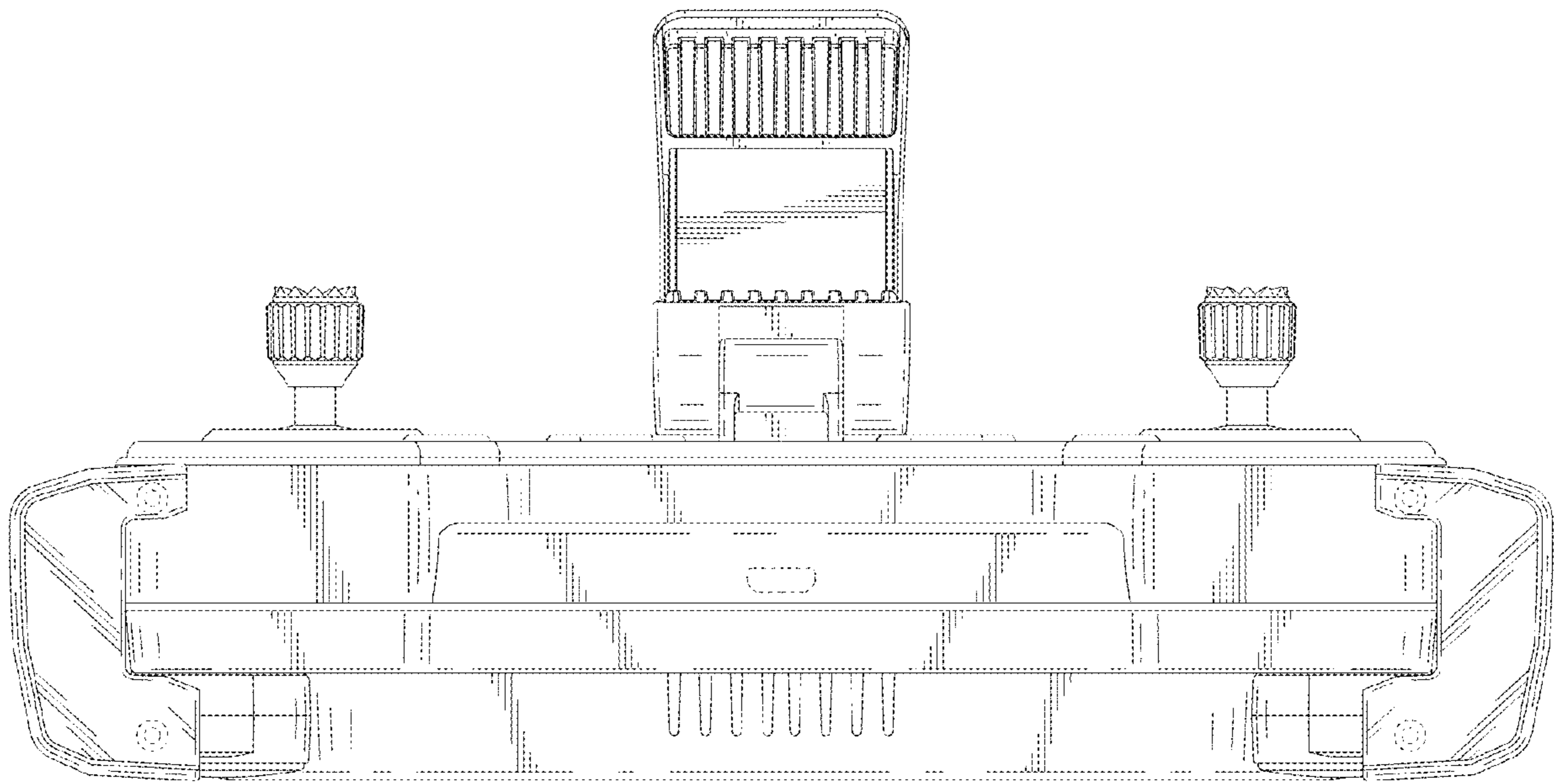


FIG. 7

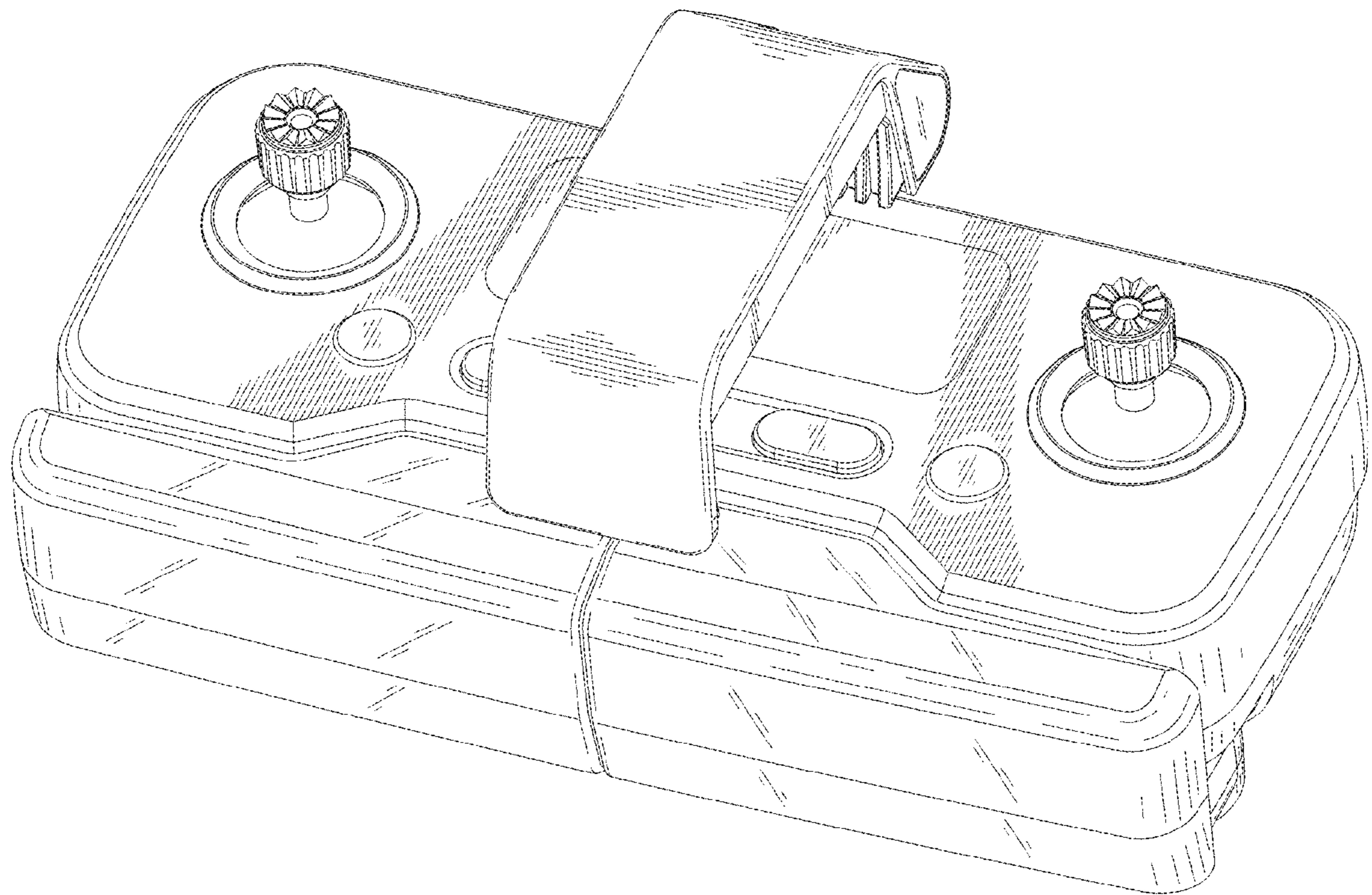


FIG. 8