

US00D934956S

(12) **United States Design Patent** (10) **Patent No.:** **US D934,956 S**
Rhamey et al. (45) **Date of Patent:** **** Nov. 2, 2021**

(54) **FOLDING ELECTRIC PERSONAL UTILITY SCOOTER**

(71) Applicants: **Raymond Rhamey**, Ashland, OR (US);
Sarah Rhamey, Ashland, OR (US);
Christian Freissler, Portland, OR (US);
Daniel Nicholson, Portland, OR (US);
Wesley Hare, Portland, OR (US);
Chase Thompson, Lake Oswego, OR (US)

(72) Inventors: **Raymond Rhamey**, Ashland, OR (US);
Sarah Rhamey, Ashland, OR (US);
Christian Freissler, Portland, OR (US);
Daniel Nicholson, Portland, OR (US);
Wesley Hare, Portland, OR (US);
Chase Thompson, Lake Oswego, OR (US)

(**) Term: **15 Years**

(21) Appl. No.: **29/784,999**

(22) Filed: **May 23, 2021**

(51) **LOC (13) Cl.** **21-01**

(52) **U.S. Cl.**
USPC **D21/423**

(58) **Field of Classification Search**
USPC D12/1, 110-114; D21/419, 421, 423,
D21/432, 435, 760, 763, 765, 771
CPC B62K 3/002; B62K 9/00; B62K 2202/00;
B60Y 2200/126

See application file for complete search history.

(56) **References Cited**

U.S. PATENT DOCUMENTS

4,570,739 A 2/1986 Kramer
5,036,938 A 8/1991 Blount
7,118,502 B2 10/2006 Puzey

(Continued)

OTHER PUBLICATIONS

“Gypsy 4-Wheel Folding Scooter” GYPSY., posted date Aug. 13, 2019 [online], [retrieved on Aug. 26, 2021]. Retrieved from the Internet <URL:https://www.scooterdirect.com/gypsy-4-wheel-folding-scooter.html> (Year: 2019).*

(Continued)

Primary Examiner — Darlington Ly

Assistant Examiner — Nasim Abdulaziz Ali

(74) *Attorney, Agent, or Firm* — Quickpatents, LLC; Kevin Prince

(57) **CLAIM**

The ornamental design for a folding electric personal utility scooter, as shown and described.

DESCRIPTION

FIG. 1 is a perspective view of a folding electric personal utility scooter, showing our new design in a sitting configuration;

FIG. 2 is a front elevational view thereof;

FIG. 3 is a rear elevational view thereof;

FIG. 4 is a left-side elevational view thereof;

FIG. 5 is a right-side elevational view thereof;

FIG. 6 is a top plan view thereof;

FIG. 7 is a bottom plan view thereof;

FIG. 8 is a perspective view thereof, illustrated in a folded configuration;

FIG. 9 is a front elevational view of FIG. 8;

FIG. 10 is a rear elevational view of FIG. 8;

FIG. 11 is a left-side elevational view of FIG. 8;

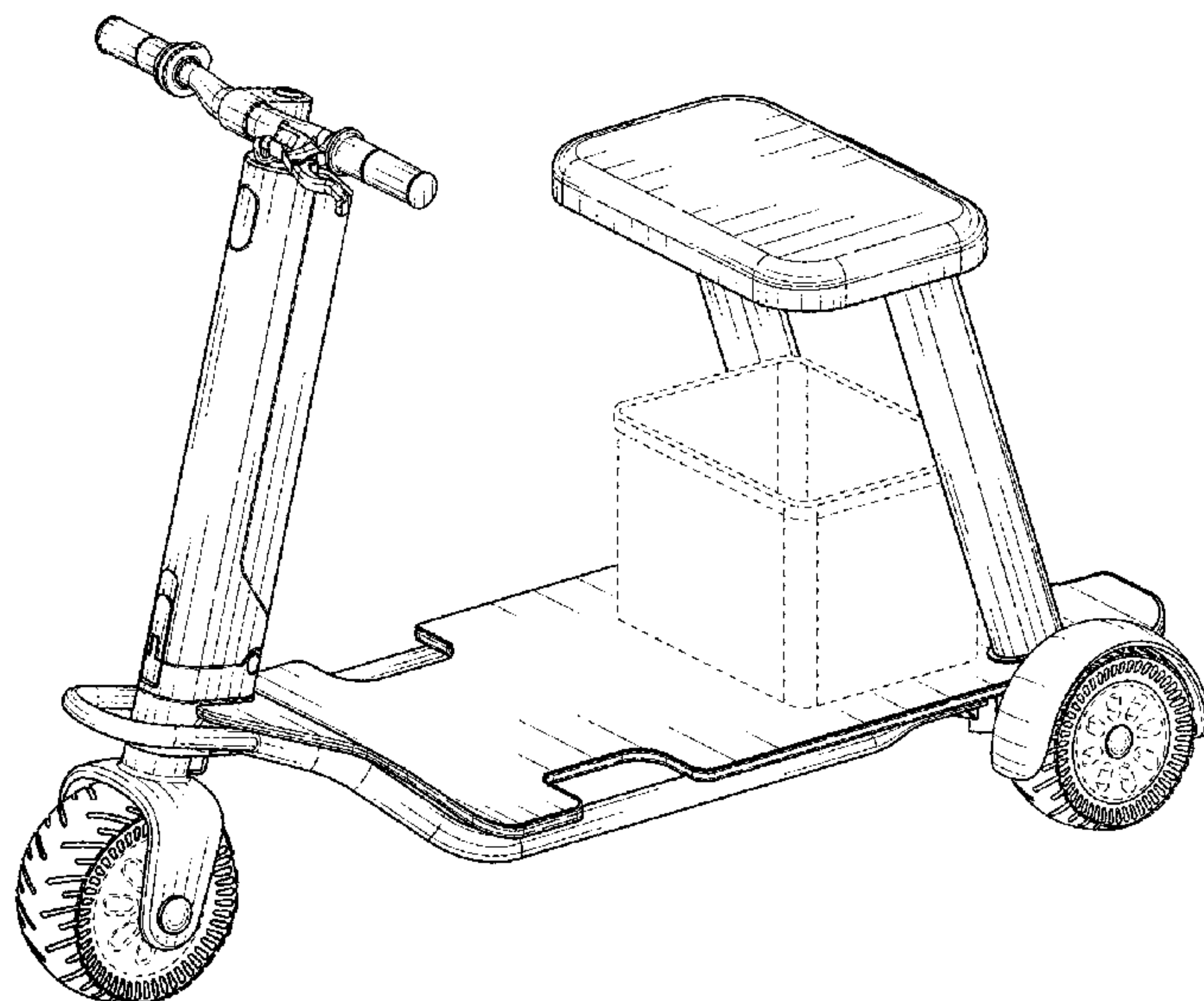
FIG. 12 is a right-side elevational view of FIG. 8;

FIG. 13 is a top plan view of FIG. 8; and,

FIG. 14 is a perspective view thereof, illustrated in a standing configuration with a seat removed.

The broken lines in FIGS. 1-7 depict portions of the folding electric personal utility scooter that form no part of the claimed design.

1 Claim, 12 Drawing Sheets



(56)

References Cited

U.S. PATENT DOCUMENTS

7,134,677 B2 11/2006 Opsvik
 8,776,932 B1 7/2014 Bussinger
 8,794,654 B1* 8/2014 Chen B62K 9/00
 280/287
 9,016,702 B2* 4/2015 Huang A47C 1/126
 280/87.041
 D774,961 S * 12/2016 Allen D12/110
 D802,682 S * 11/2017 LaBonty D21/423
 9,944,338 B2 4/2018 Behar
 10,023,254 B1* 7/2018 Nilsen B62K 15/006
 D832,931 S * 11/2018 Gudushauri D21/423
 10,407,118 B1 9/2019 Greenberg
 10,479,436 B2 11/2019 Kosco
 10,549,810 B2 2/2020 Block
 10,696,344 B2 6/2020 Augustin
 D892,937 S * 8/2020 Chis D21/423
 D895,489 S * 9/2020 Chiu D12/128
 10,864,958 B2 12/2020 Schneider
 D909,256 S * 2/2021 Blasi D12/110
 2002/0066610 A1 6/2002 Tsai

2005/0077097 A1* 4/2005 Kosco B62K 15/006
 180/208
 2011/0247889 A1 10/2011 Kosco
 2013/0192908 A1 8/2013 Schlagheck
 2018/0194423 A1 7/2018 Fan
 2019/0225294 A1 7/2019 Schneider
 2020/0008990 A1 1/2020 Harrison
 2020/0062328 A1 2/2020 Chen
 2020/0148297 A1 5/2020 Kosco
 2020/0317288 A1* 10/2020 Jones B62M 1/28
 2020/0324844 A1 10/2020 MacDonald

OTHER PUBLICATIONS

“Pride iRide Folding Scooter” Go Mobility., posted date Jun. 26, 2020 [online], [retrieved on Aug. 26, 2021]. Retrieved from the Internet <URL:https://gomobilityonline.com/collections/folding-scooters/products/pride-iride-folding-scooter> (Year: 2020).*

“EV Rider Gypsy Ultralight” EV Rider., posted date Jul. 19, 2019 [online], [retrieved on Aug. 26, 2021]. Retrieved from the Internet <URL:https://www.amazon.com/EV-Rider-Ultralight-Collapsible-Mobility/dp/B07WM1JWCV> (Year: 2019).*

* cited by examiner

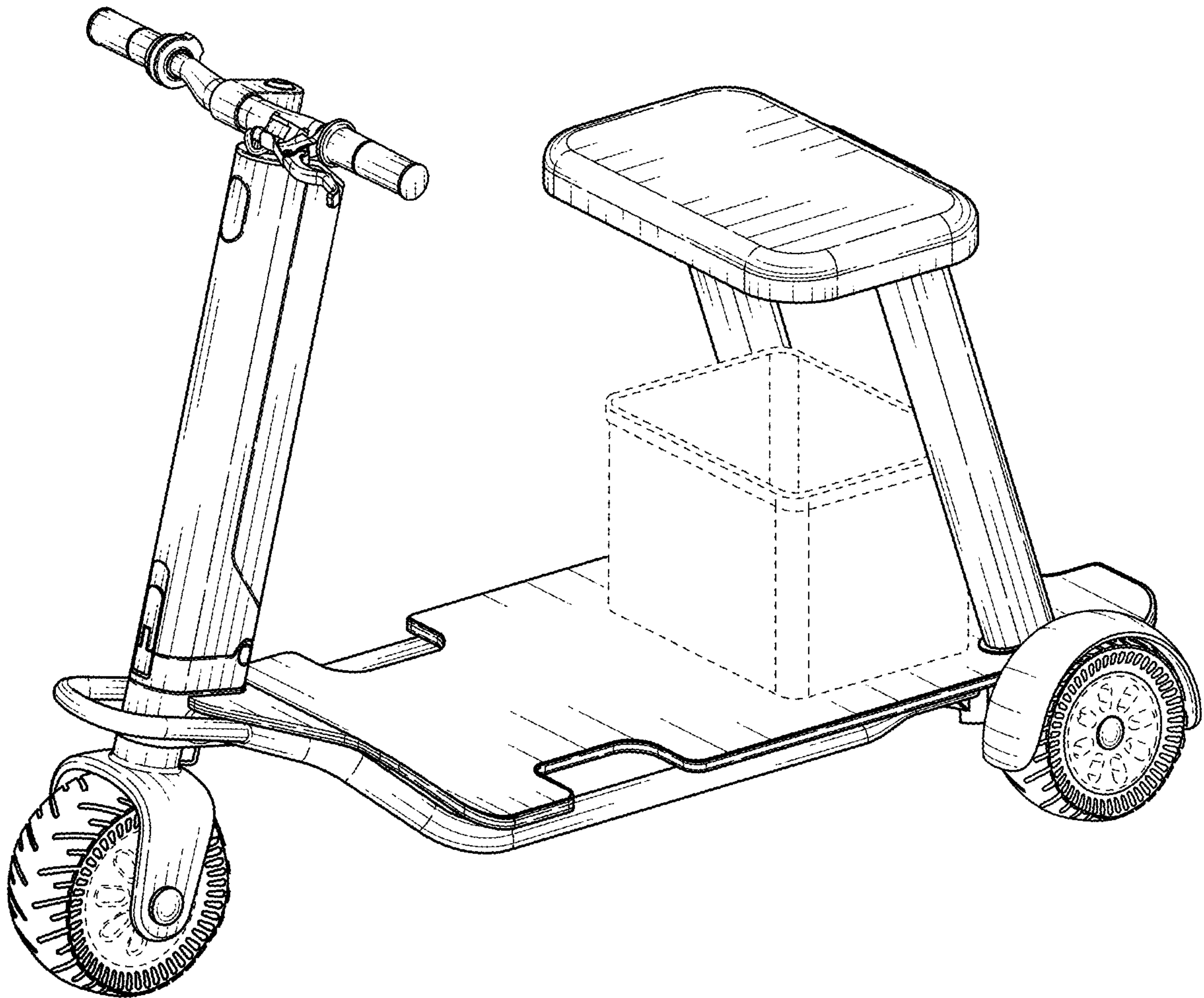


FIG. 1

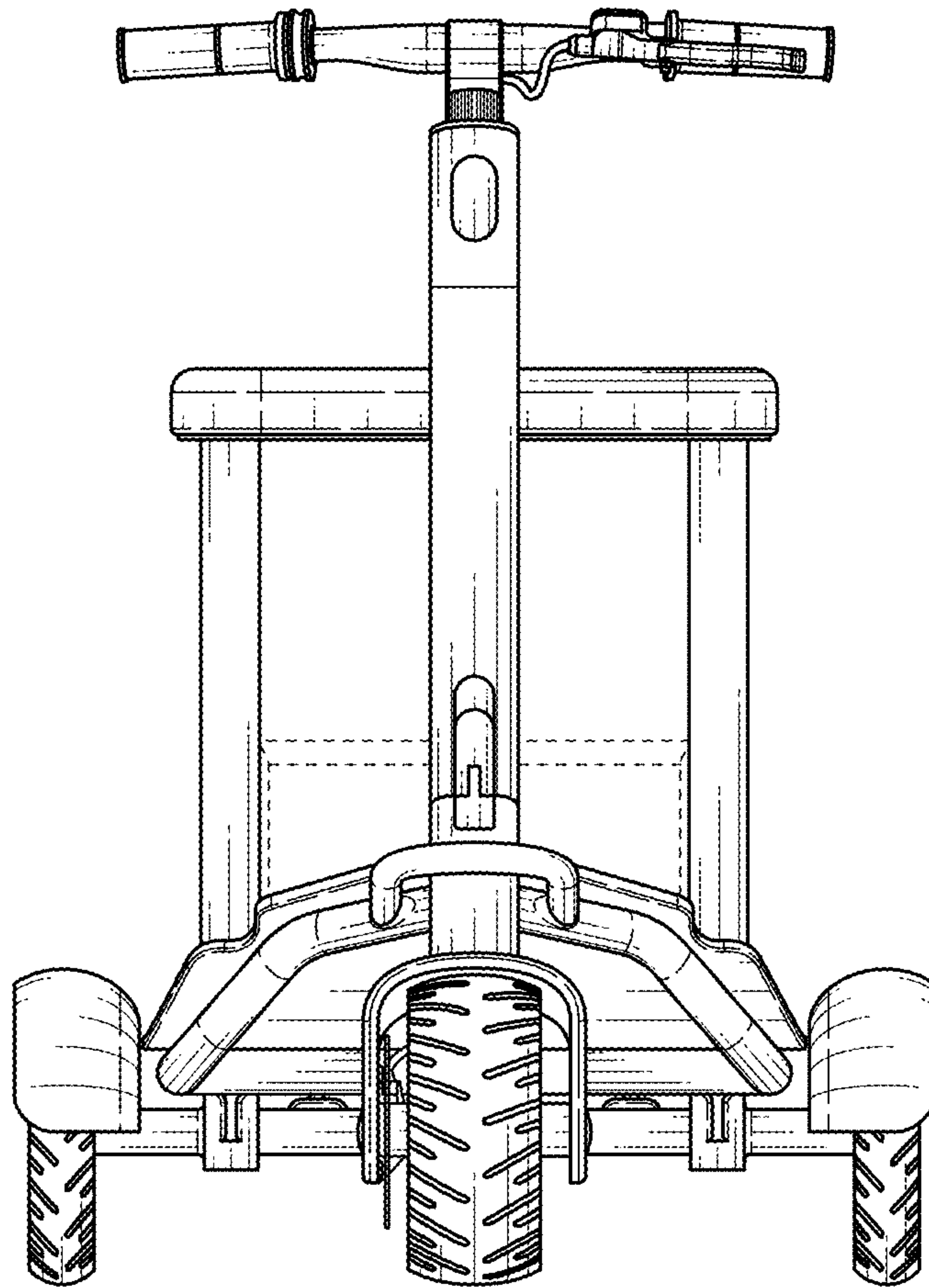


FIG. 2

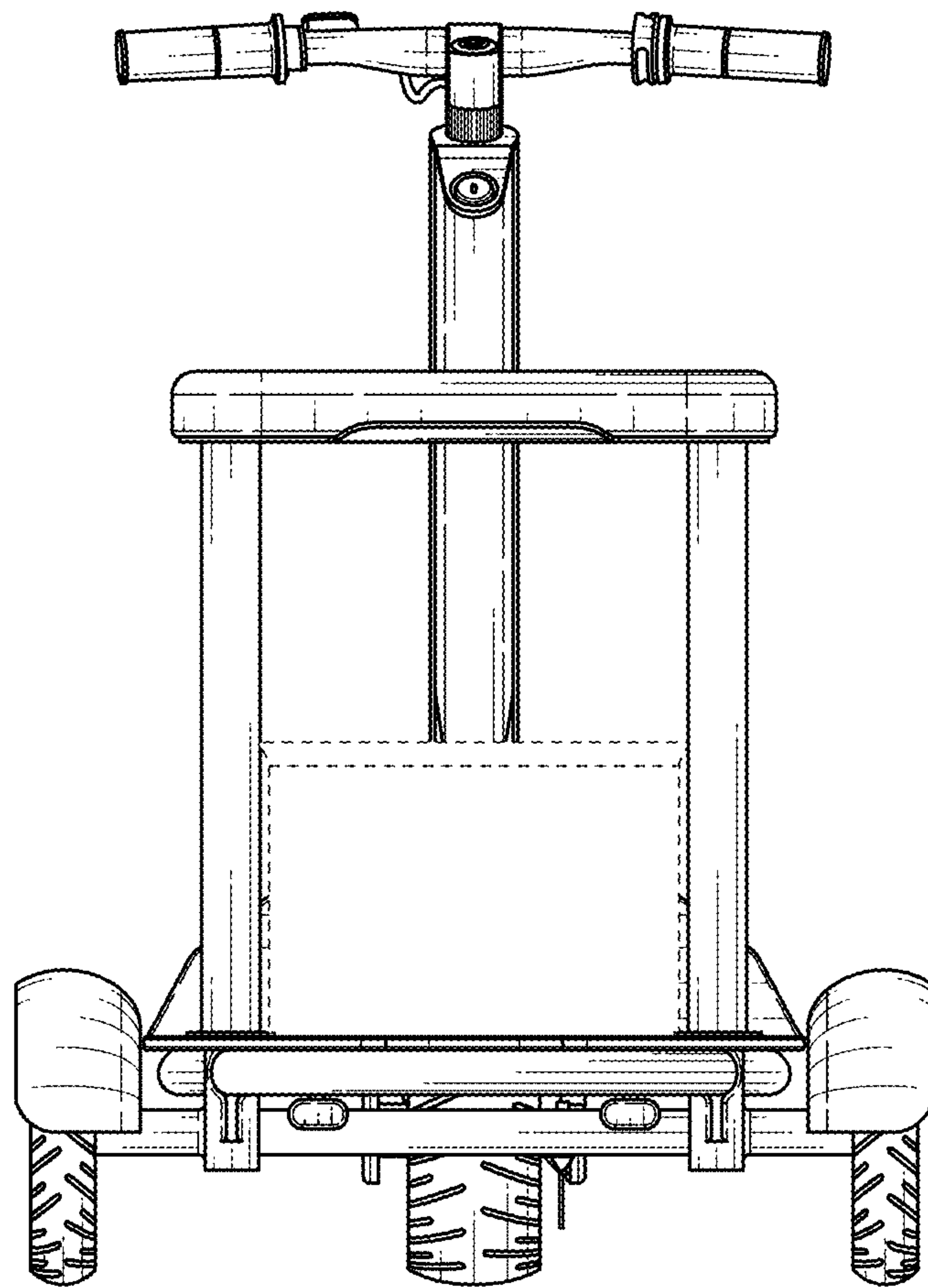


FIG. 3

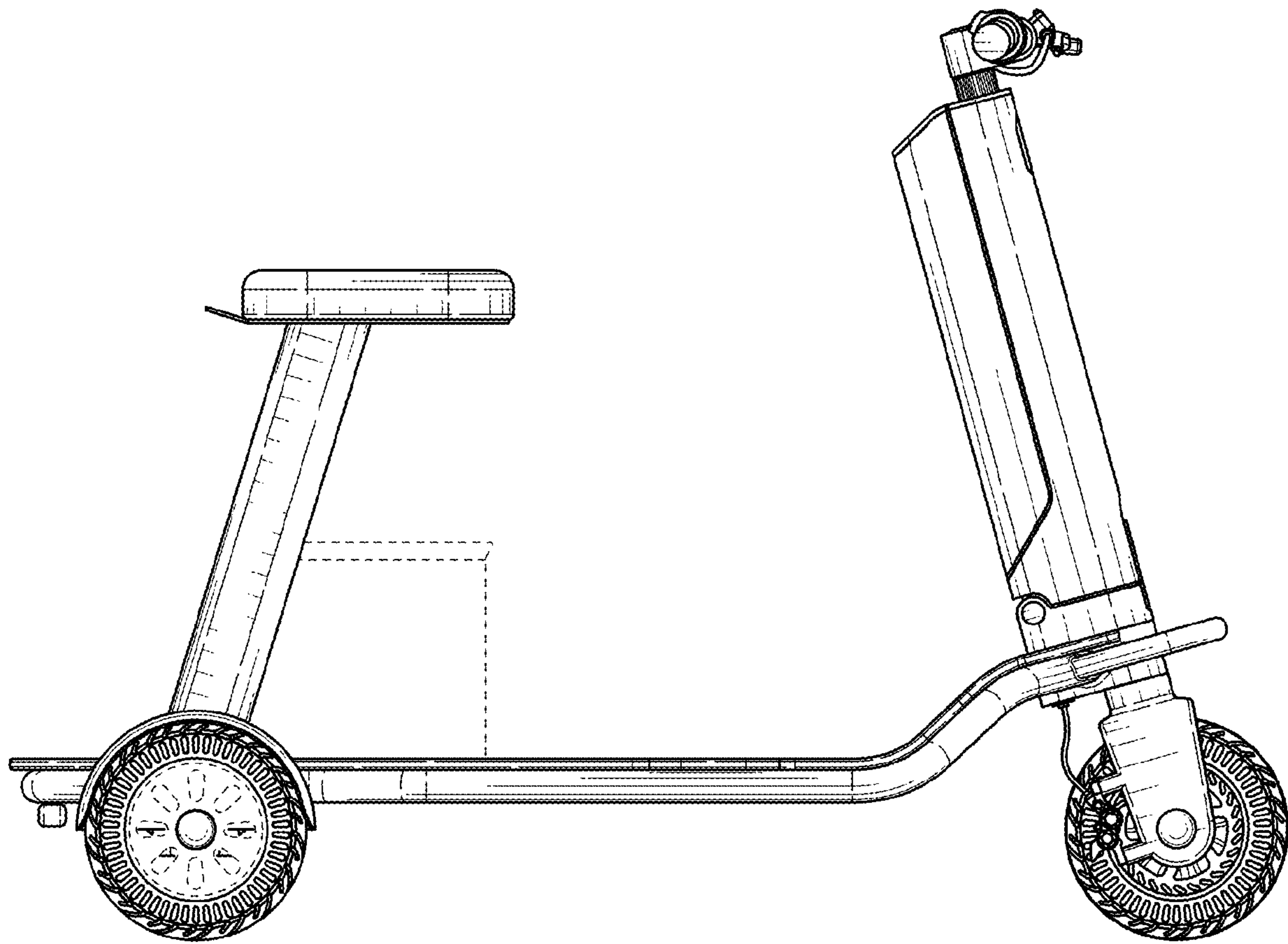


FIG. 4

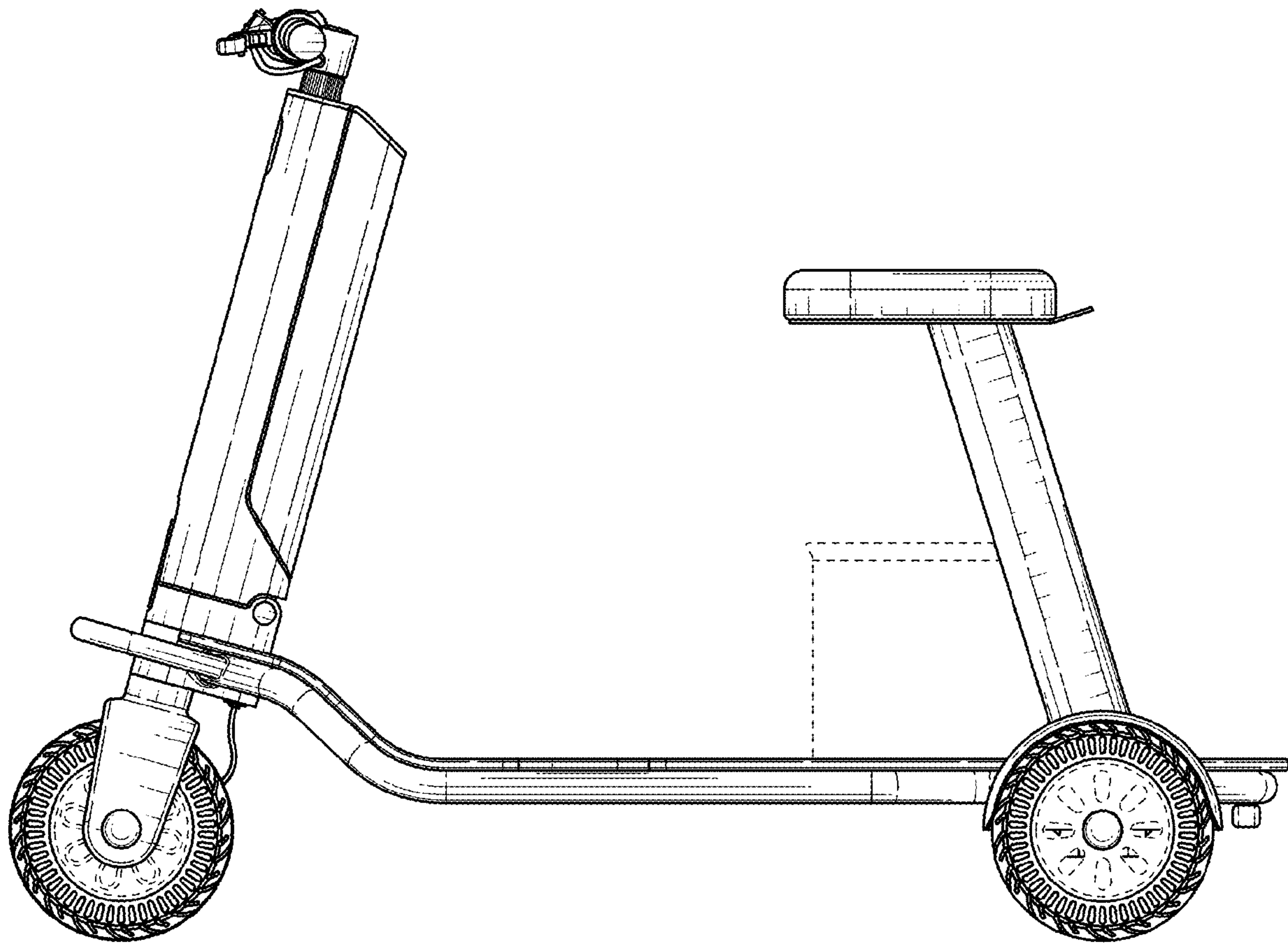


FIG. 5

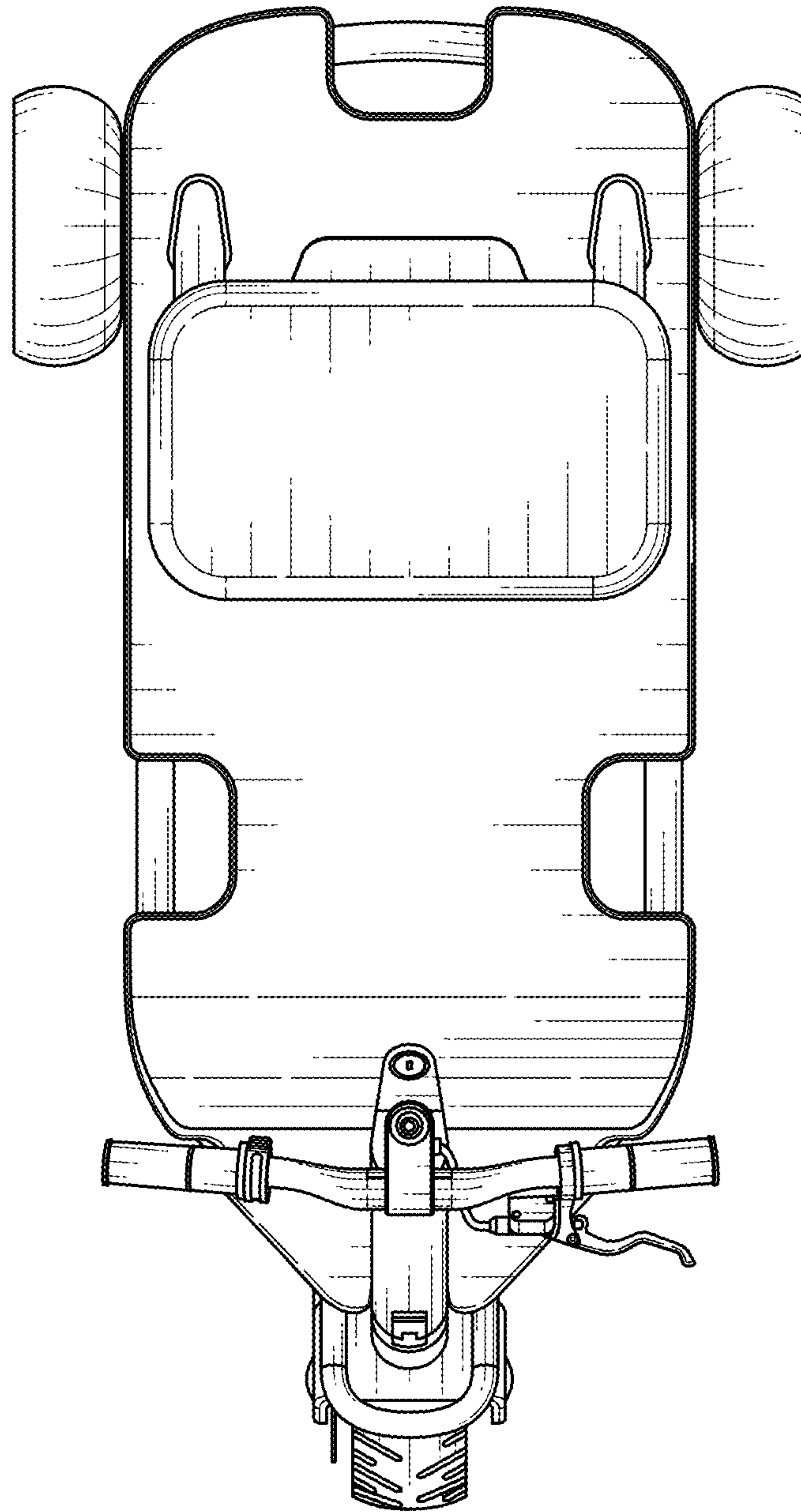


FIG. 6

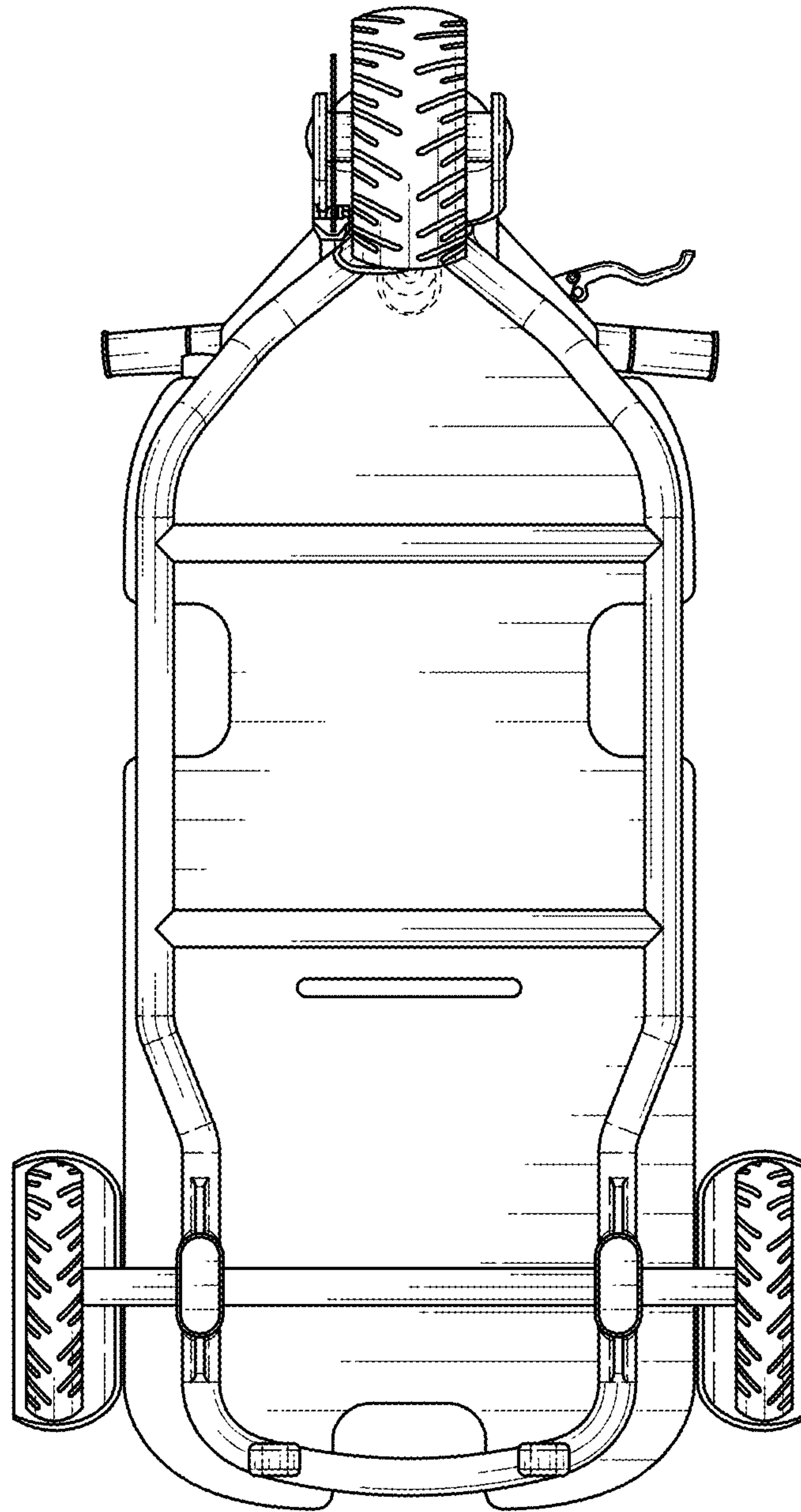


FIG. 7

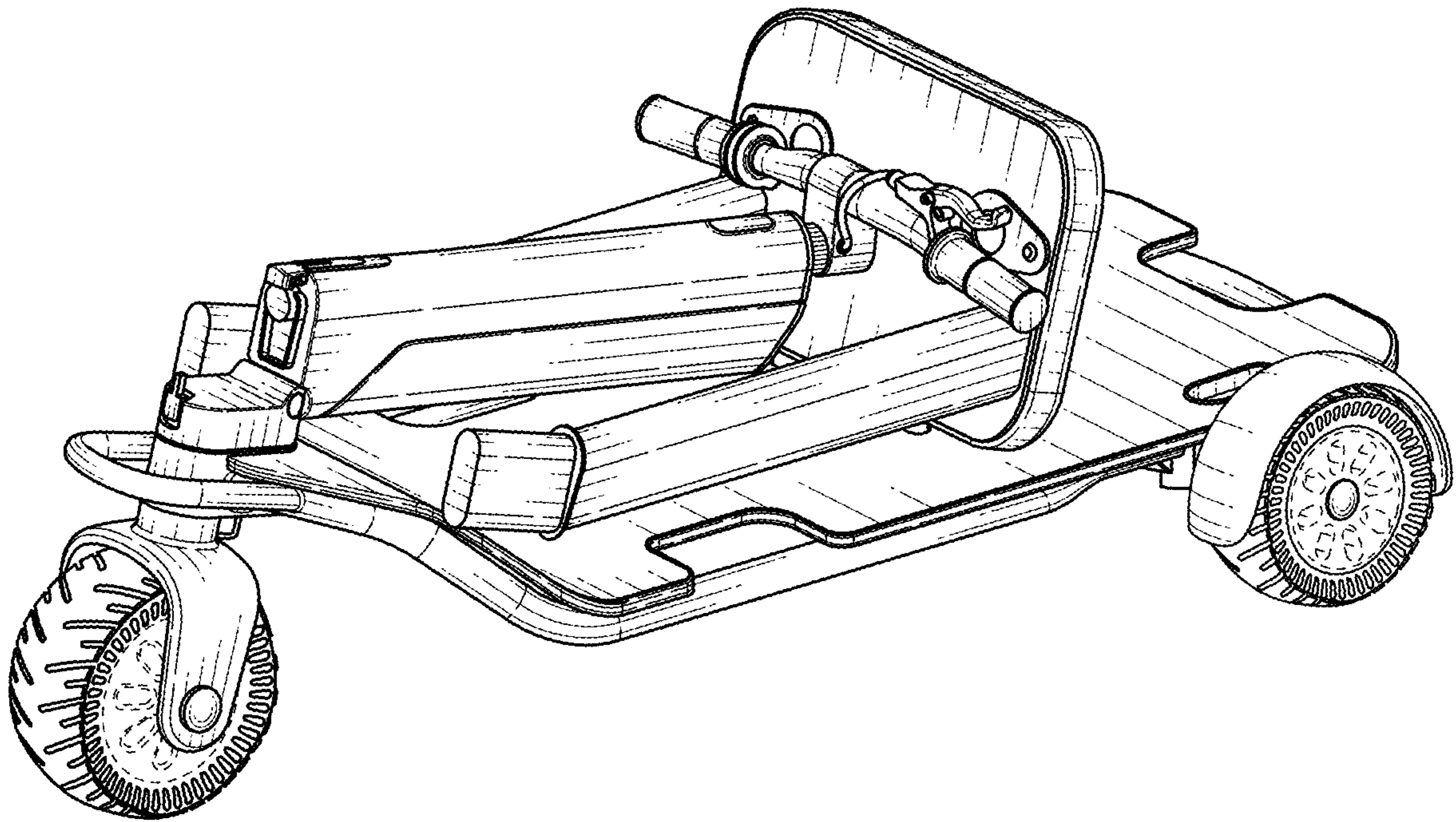


FIG. 8

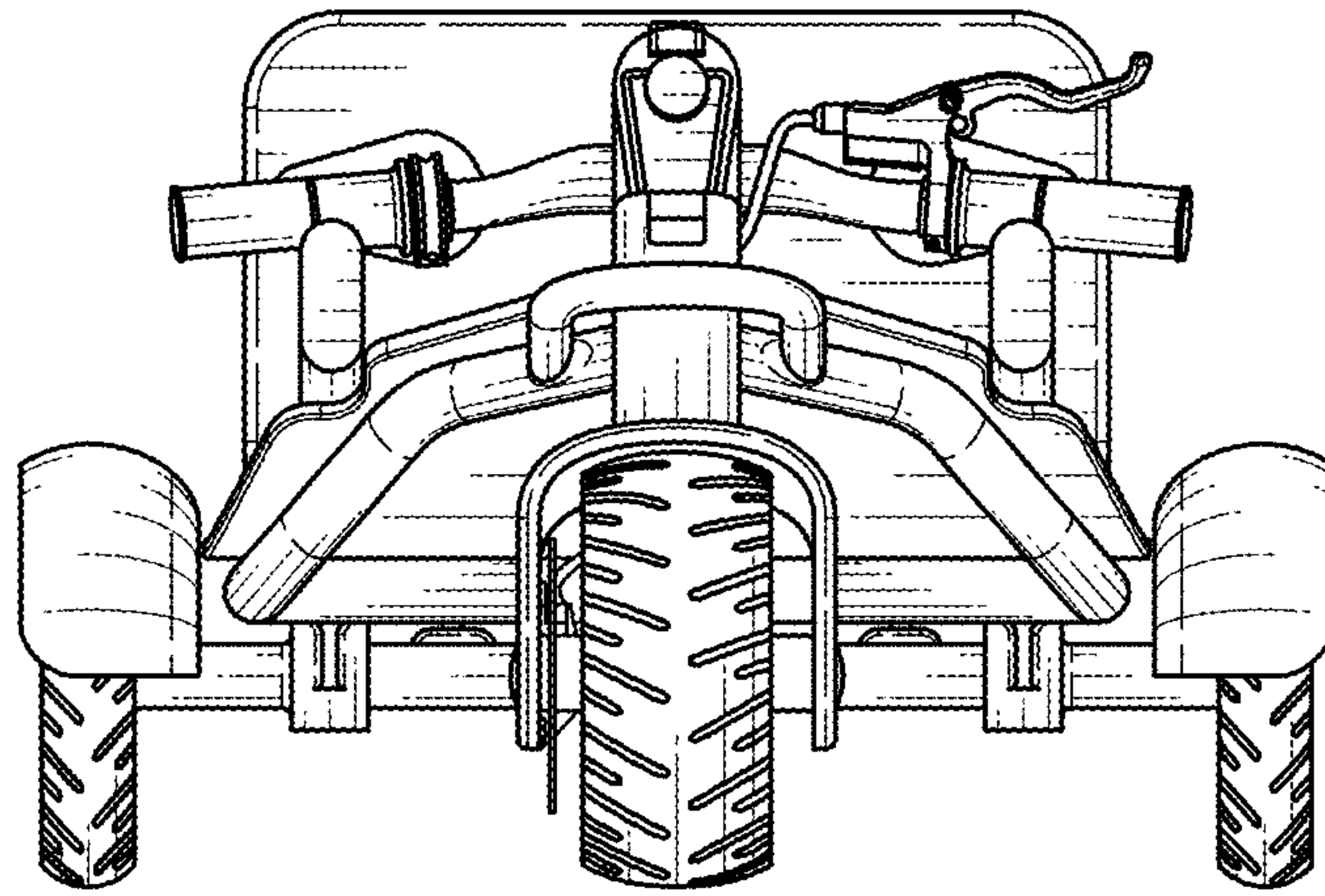


FIG. 9

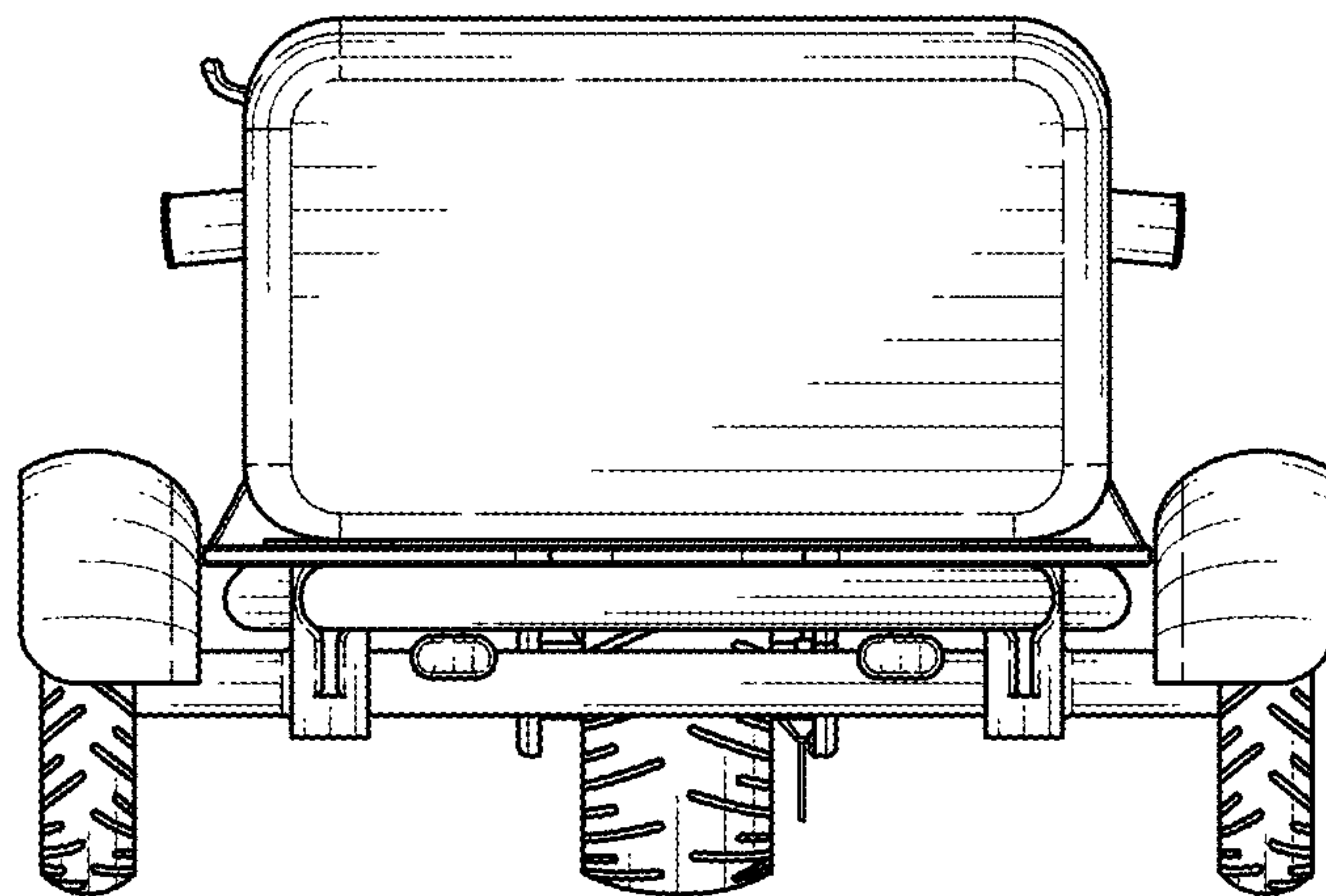


FIG. 10

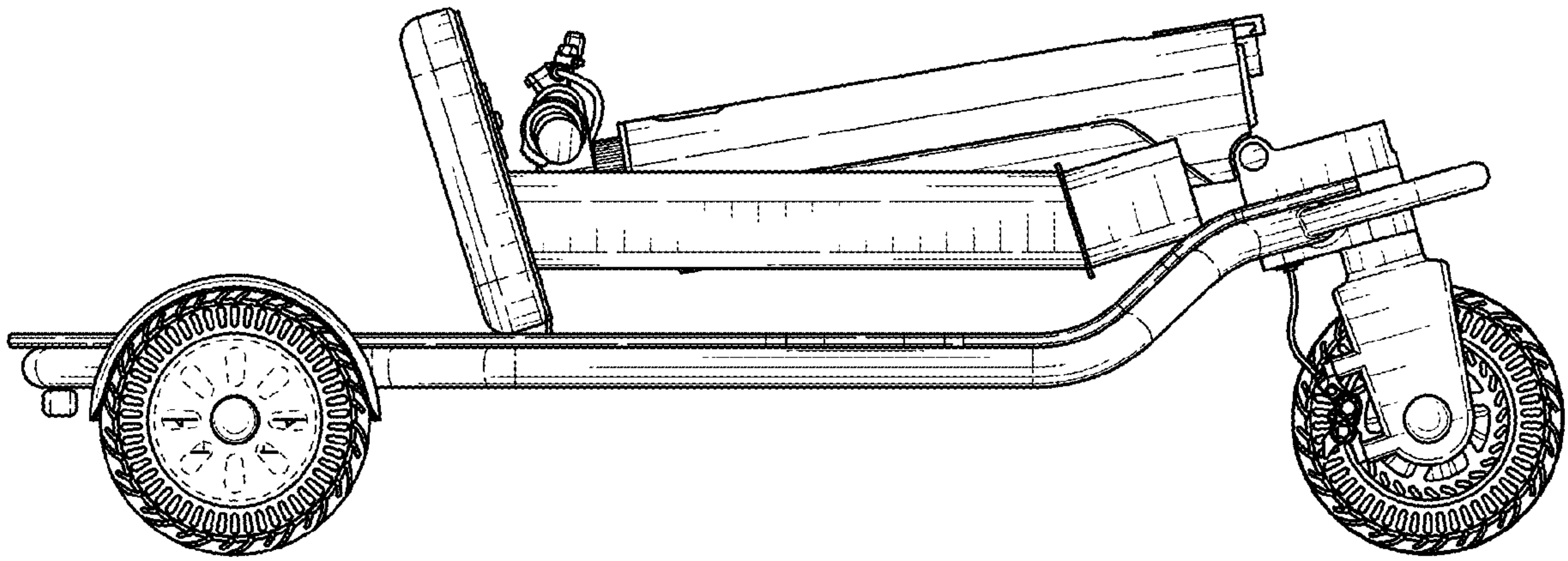


FIG. 11

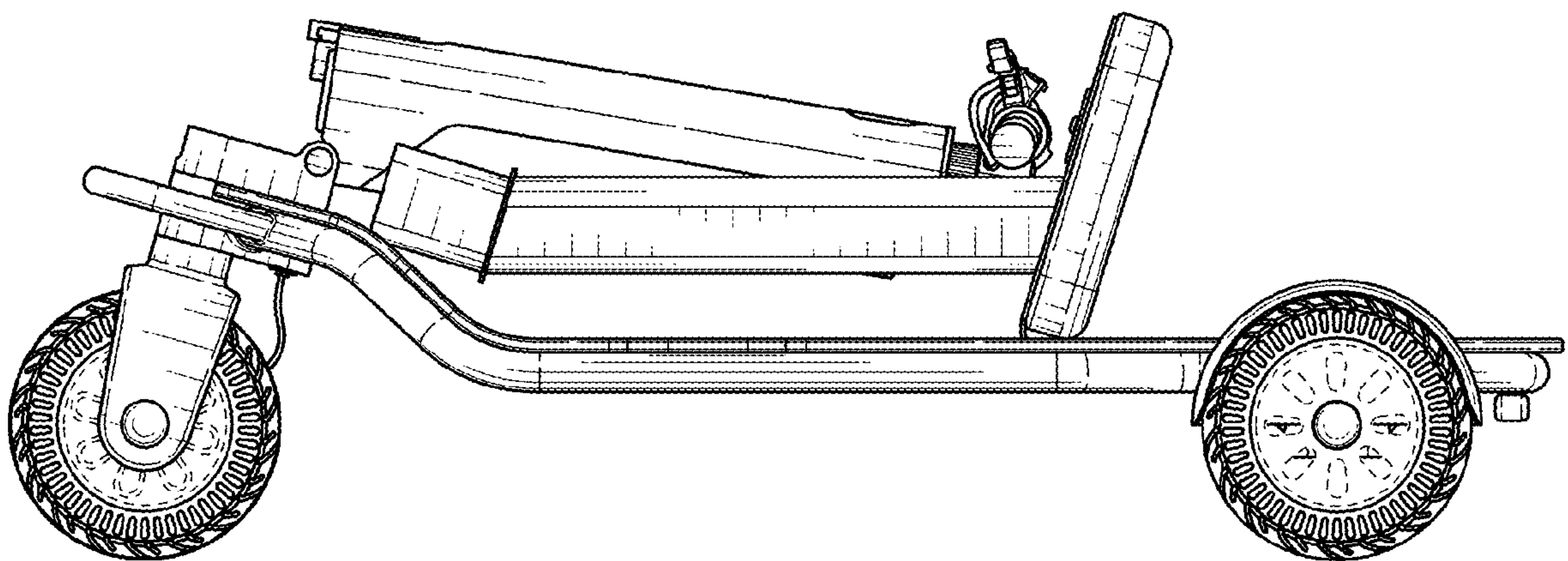


FIG. 12

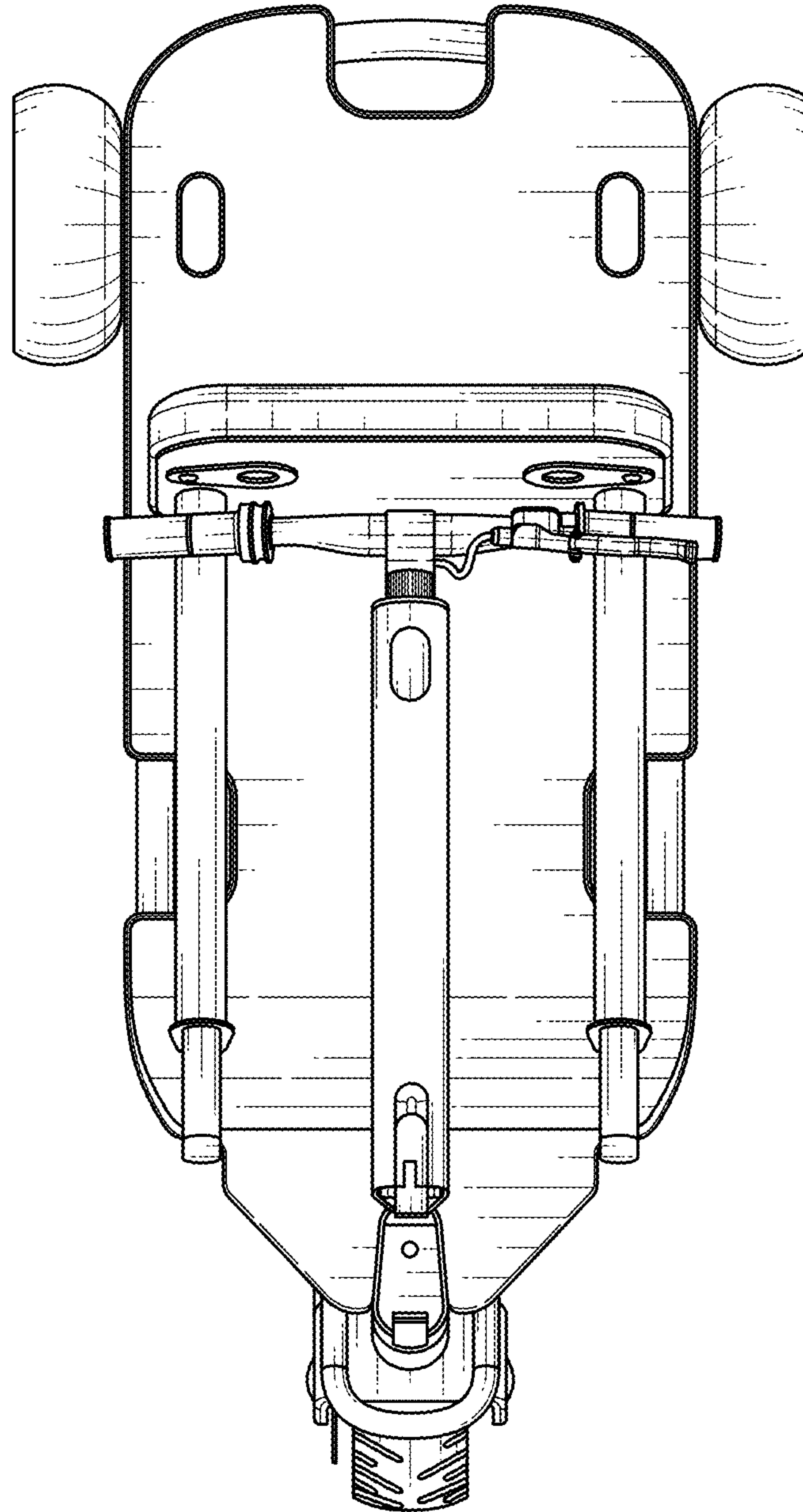


FIG. 13

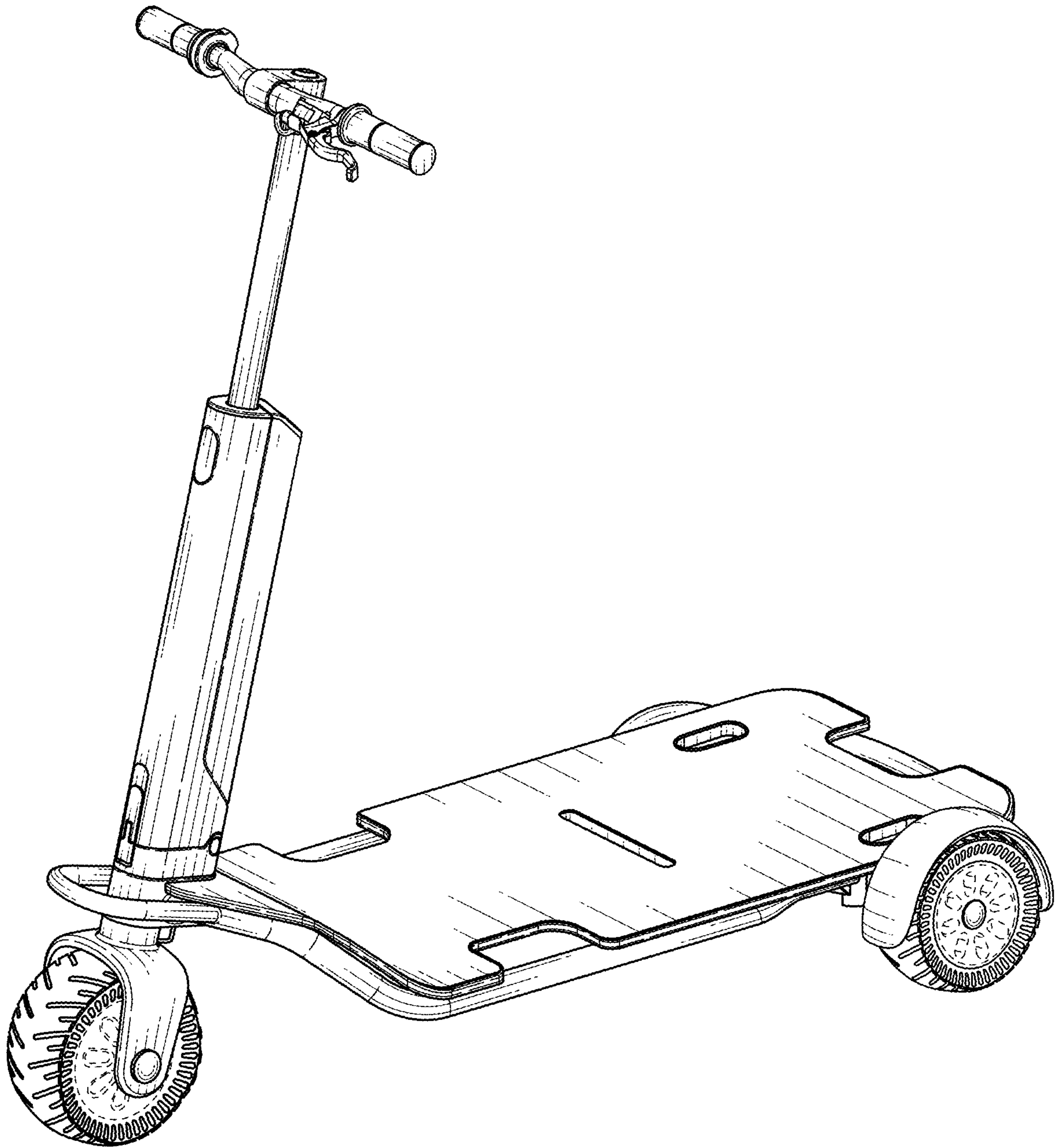


FIG. 14