



US00D934955S

(12) **United States Design Patent** (10) **Patent No.:** **US D934,955 S**
van Linden (45) **Date of Patent:** **** *Nov. 2, 2021**

(54) **SLANT TOP GAMING STATION**
(71) Applicant: **Center Tone Consultancy B.V.**,
Rotterdam (NL)
(72) Inventor: **Lucien van Linden**, Rotterdam (NL)
(73) Assignee: **CENTER TONE CONSULTANCY B.**
V., Rottendam (NL)
(*) Notice: This patent is subject to a terminal dis-
claimer.
(**) Term: **15 Years**
(21) Appl. No.: **29/682,236**
(22) Filed: **Mar. 4, 2019**
(51) **LOC (13) Cl.** **21-03**
(52) **U.S. Cl.**
USPC **D21/369**
(58) **Field of Classification Search**
USPC D21/369, 370, 371, 385, 329, 325, 394;
D14/307, 172, 129, 325, 401, 371, 126,
D14/439, 432, 450, 128, 375, 248, 374,
D14/341, 138 G, 127; 463/28, 13, 11,
463/16, 20, 25, 31, 46, 23, 30, 17, 36, 29,
463/42, 34, 32, 35, 19, 21, 22; 273/292,
273/203, 138.2, 143 R, 142 R, 138.1;
D19/60; D16/226; D8/335, 331, 334;
D26/141; D7/641
CPC G07F 17/32; G07F 17/34; G07F 17/3211;
G07F 17/3244; G07F 17/3267
See application file for complete search history.

(56) **References Cited**
U.S. PATENT DOCUMENTS
D195,840 S * 8/1963 Fay D14/305
D242,559 S * 11/1976 Takaichi D21/325
D246,918 S * 1/1978 Sauter D21/325

D344,296 S * 2/1994 McKay D21/326
D351,866 S * 10/1994 Freels D21/325
D358,616 S * 5/1995 Chung-Po D21/325
5,813,914 A * 9/1998 McKay G07F 17/32
273/143 R
D401,227 S * 11/1998 Catta D14/305
D404,077 S * 1/1999 Dickenson D21/369
D411,257 S * 6/1999 Nolte D21/325
D428,063 S * 7/2000 Thomas D21/325
D428,446 S * 7/2000 Thomas D21/325
D428,934 S * 8/2000 Thomas D21/325
D428,935 S * 8/2000 Thomas D21/325
6,138,814 A * 10/2000 Miller G07F 9/06
194/350
D434,412 S * 11/2000 Creech D14/305
D439,931 S * 4/2001 Yamaguchi D21/325
D442,640 S * 5/2001 Hayashi D21/305
6,270,411 B1 * 8/2001 Gura G07F 17/3211
273/138.2
D458,971 S * 6/2002 Stephan D21/325
D473,269 S * 4/2003 Tsuda D21/329
D486,530 S * 2/2004 Morrison D21/369

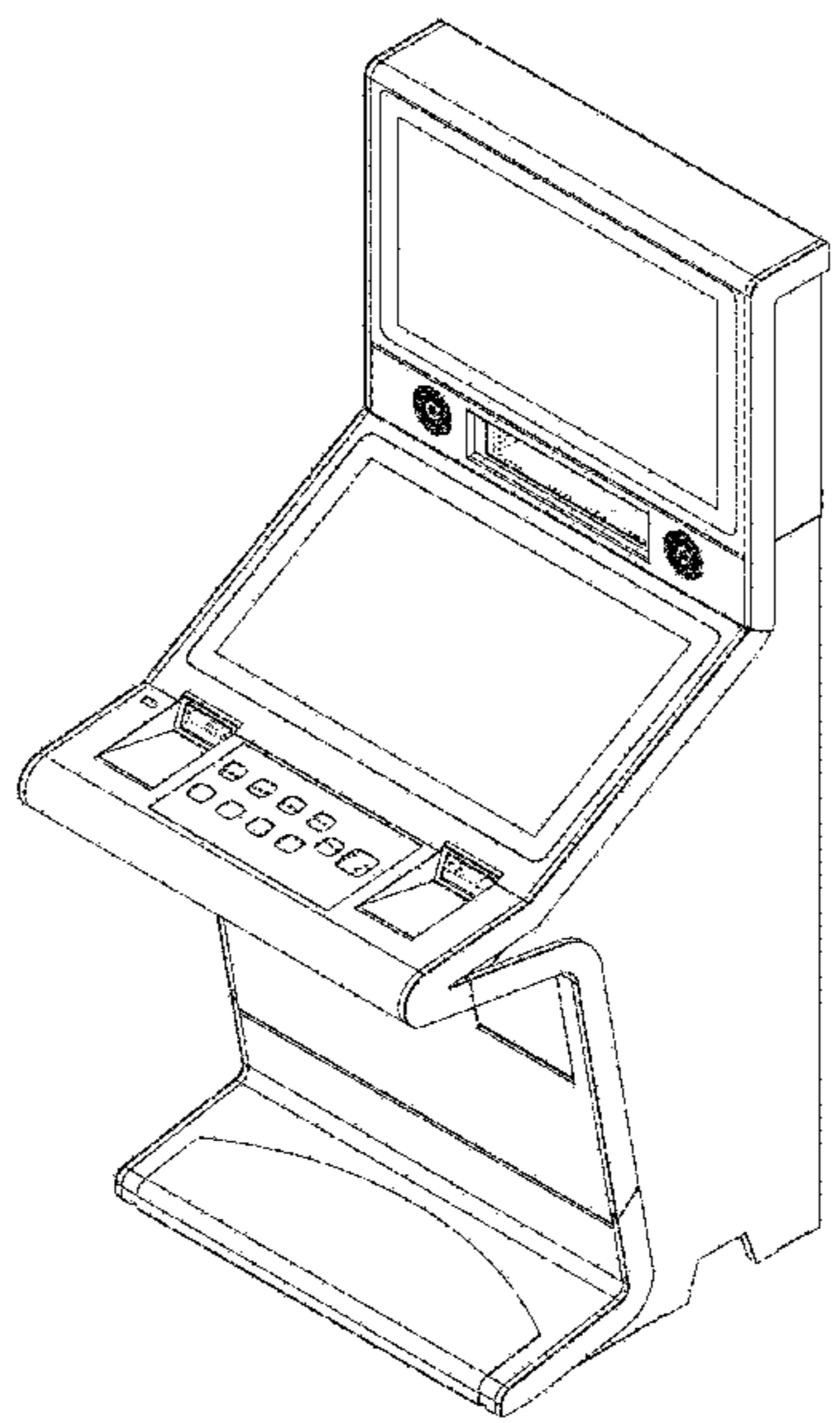
(Continued)

Primary Examiner — Ryan Harvey
(74) *Attorney, Agent, or Firm* — John G. Posa; Belzer,
PC

(57) **CLAIM**
I claim the ornamental design for the slant top gaming
station, as shown and described.

DESCRIPTION
FIG. 1 is a perspective view of a slant top gaming station;
FIG. 2 is a front view of the slant top gaming station;
FIG. 3 is a right side of the slant top gaming station;
FIG. 4 is a left side of the slant top gaming station;
FIG. 5 is a rear view of the slant top gaming station;
FIG. 6 is a top view of the slant top gaming station; and,
FIG. 7 is a bottom view of the slant top gaming station.
The broken line showing of portions of the slant top gaming
station depicts environment and forms no part of the claim.

1 Claim, 6 Drawing Sheets



(56)

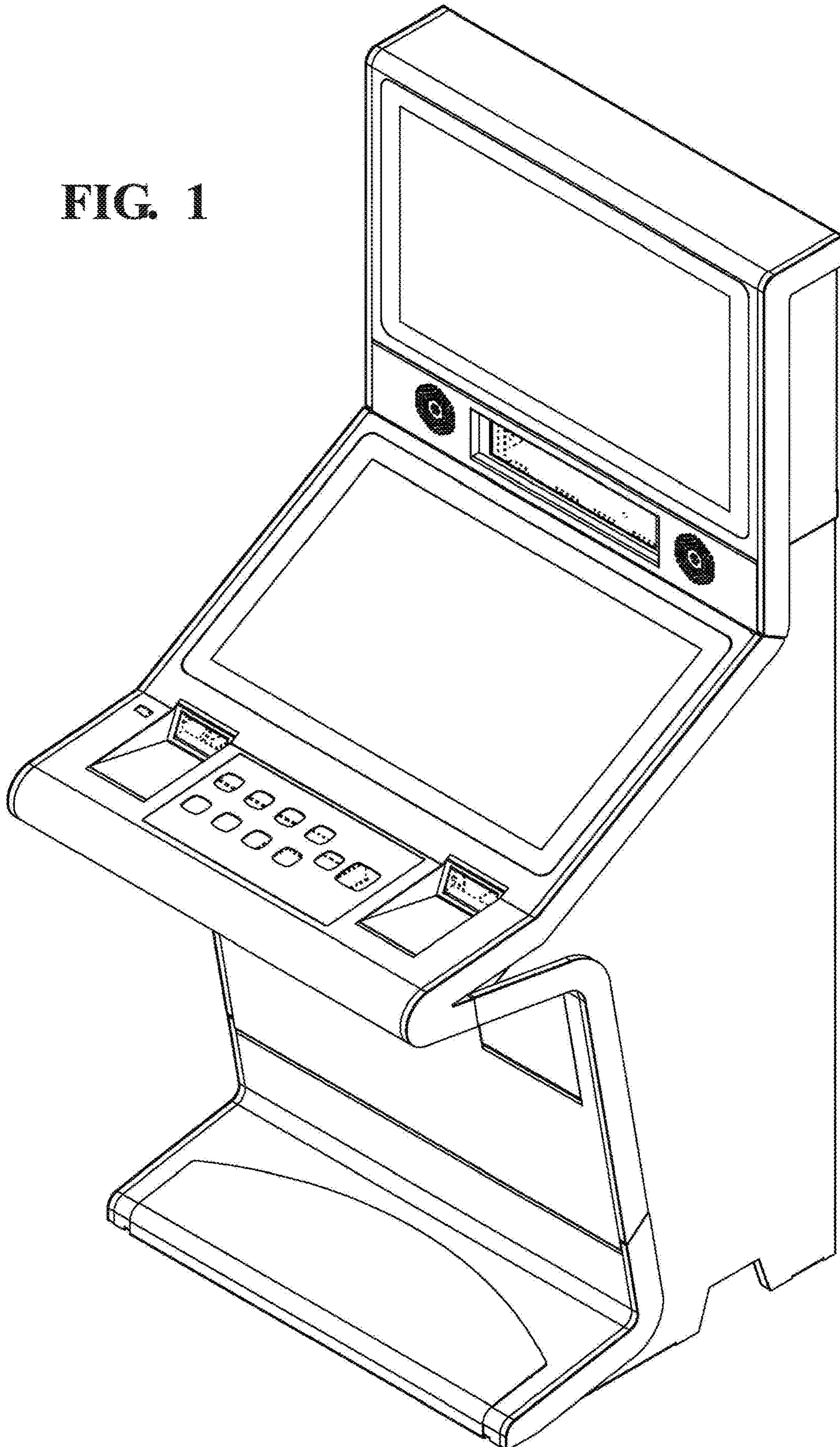
References Cited

U.S. PATENT DOCUMENTS

6,688,984 B2 *	2/2004	Cole	G07F 17/32	273/138.1	D684,637 S *	6/2013	Shelley	D21/370
D487,434 S *	3/2004	Monson	D14/126		D684,638 S *	6/2013	Shelley	D21/370
D493,844 S *	8/2004	Morrison	D21/369		D685,435 S *	7/2013	Hohman	D21/370
D493,845 S *	8/2004	Morrison	D21/369		D693,884 S *	11/2013	Galdini Ferrazoli	D21/370
D508,269 S *	8/2005	Wichinsky	D21/325		D695,733 S *	12/2013	Damhuis	D14/307
6,997,810 B2 *	2/2006	Cole	G07F 17/32	463/36	D705,872 S *	5/2014	Ortiz	D21/370
D525,665 S *	7/2006	Karlsson	D21/329		D707,674 S *	6/2014	Daniel	D14/307
D531,677 S *	11/2006	Mallory	D21/369		8,920,239 B2 *	12/2014	Reddy	G07F 17/3211
D539,854 S *	4/2007	Luciano	D21/369						463/20
7,267,613 B2 *	9/2007	Cole	G07F 17/32	463/20	D724,658 S *	3/2015	Sakai	D18/53
D559,917 S *	1/2008	Cole	D21/369		9,033,806 B2 *	5/2015	Bruzzese	G07F 17/3216
D563,481 S *	3/2008	Looks	D21/370						463/46
7,396,282 B2 *	7/2008	Gauselmann	G07F 17/3211	463/30	D730,992 S *	6/2015	van Linden	D21/369
D578,168 S *	10/2008	Looks	D21/369		D732,520 S *	6/2015	Themann	D14/307
D587,319 S *	2/2009	Moises Deiab	D21/325		D740,887 S *	10/2015	Randazzo	D21/370
7,513,830 B2 *	4/2009	Hajder	G07F 17/3202	463/46	D743,956 S *	11/2015	Kraft	D14/307
D596,678 S *	7/2009	Myers	D21/370		9,224,268 B2 *	12/2015	Aoki	G07F 17/3218
D597,144 S *	7/2009	Myers	D21/370		D751,061 S *	3/2016	Berini	D14/307
D603,909 S *	11/2009	De Viveiros Ortiz	D21/325		D758,497 S *	6/2016	Uhren	D21/369
D604,773 S *	11/2009	De Viveiros Ortiz	D21/325		D762,778 S *	8/2016	Knesek	D14/172
D604,774 S *	11/2009	De Viveiros Ortiz	D21/325		D769,570 S *	10/2016	Kraft	D99/28
D612,432 S *	3/2010	De Viveiros Ortiz	D21/325		D801,436 S *	10/2017	Stephenson, III	D21/369
D616,414 S *	5/2010	Nathan	D14/173		D808,467 S *	1/2018	Huang	D21/369
D619,659 S *	7/2010	Damani	D21/325		D812,145 S *	3/2018	Huang	D21/369
D622,323 S *	8/2010	De Viveiros Ortiz	D21/325		D822,117 S *	7/2018	Costa	D21/325
D626,182 S *	10/2010	Cole	D21/369		D822,766 S *	7/2018	Costa	D21/325
D626,603 S *	11/2010	Bruzzese	D21/370		D827,719 S *	9/2018	Costa	D21/369
D627,008 S *	11/2010	Bruzzese	D21/385		10,373,421 B2 *	8/2019	Pan	G07F 17/3206
D637,238 S *	5/2011	O'Keene	D21/370		10,607,438 B2 *	3/2020	Froy	G07F 17/3267
D649,604 S *	11/2011	Ortiz	D21/370		D880,599 S *	4/2020	Navid	D21/325
8,075,385 B2 *	12/2011	Jackson	G07F 17/3293	463/1	2003/0224858 A1 *	12/2003	Yoseloff	G07F 17/32
D662,487 S *	6/2012	Nathan	D14/173						463/43
8,328,635 B2 *	12/2012	Oosthoek	G07F 17/32	463/26	2004/0192433 A1 *	9/2004	Johnson	A63F 13/08
8,388,454 B2 *	3/2013	Kido	G07F 17/32	463/46					463/20
8,398,475 B2 *	3/2013	De Waal	G07F 17/3267	463/46	2005/0137019 A1 *	6/2005	Ikeda	G07F 17/3211
8,439,761 B2 *	5/2013	O'Keene	G07F 17/3216	463/16					463/46
					463/46	2006/0281559 A1 *	12/2006	Luciano	G07F 17/32
					463/37					463/46
						2007/0207861 A1 *	9/2007	Gawel	G07F 17/32
										463/46
						2009/0233681 A1 *	9/2009	Tsukahara	G07F 17/32
										463/20
						2009/0275381 A1 *	11/2009	Bennett	G07F 17/32
										463/20
						2009/0280911 A1 *	11/2009	Tsao	G07F 17/32
										463/46
						2013/0102390 A1 *	4/2013	Klein	G07F 17/3211
										463/37

* cited by examiner

FIG. 1



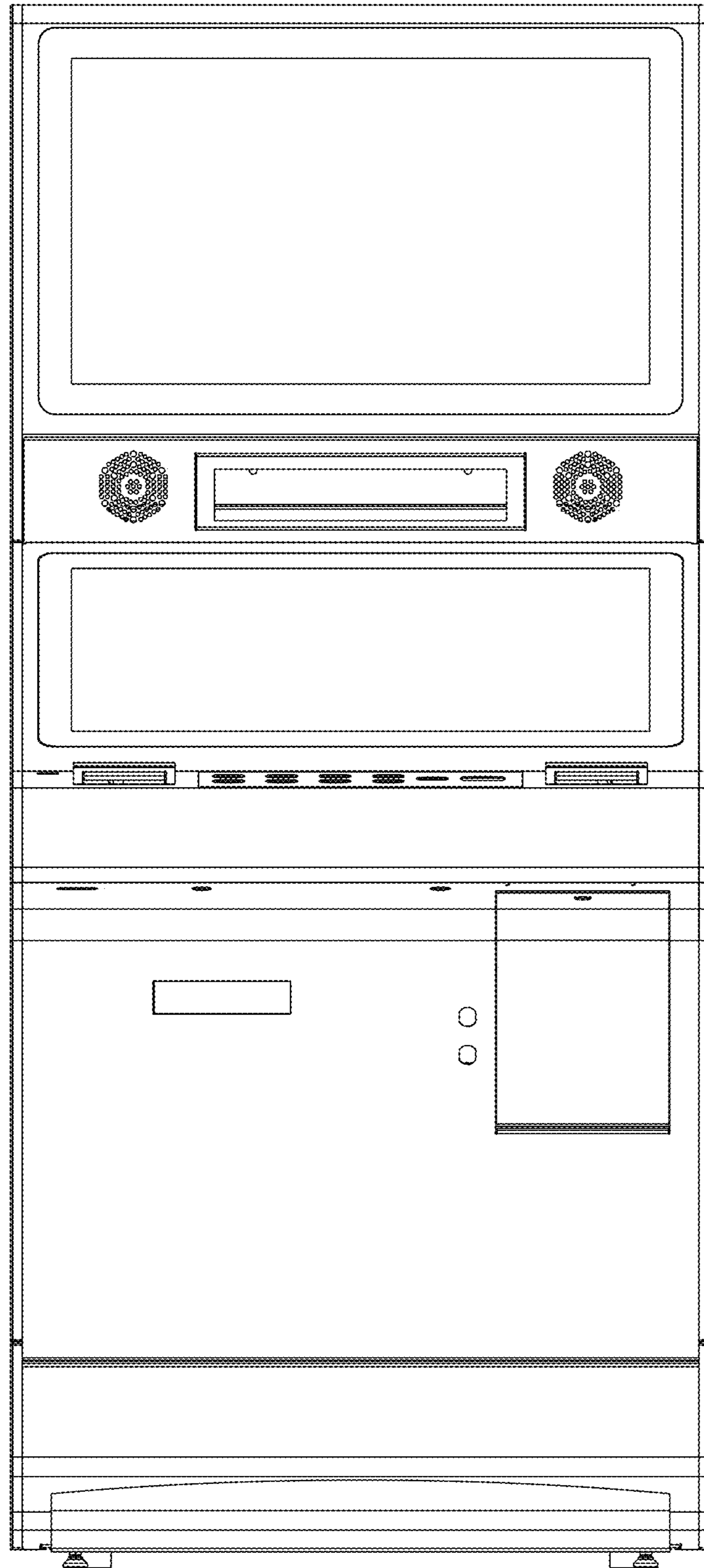


FIG. 2

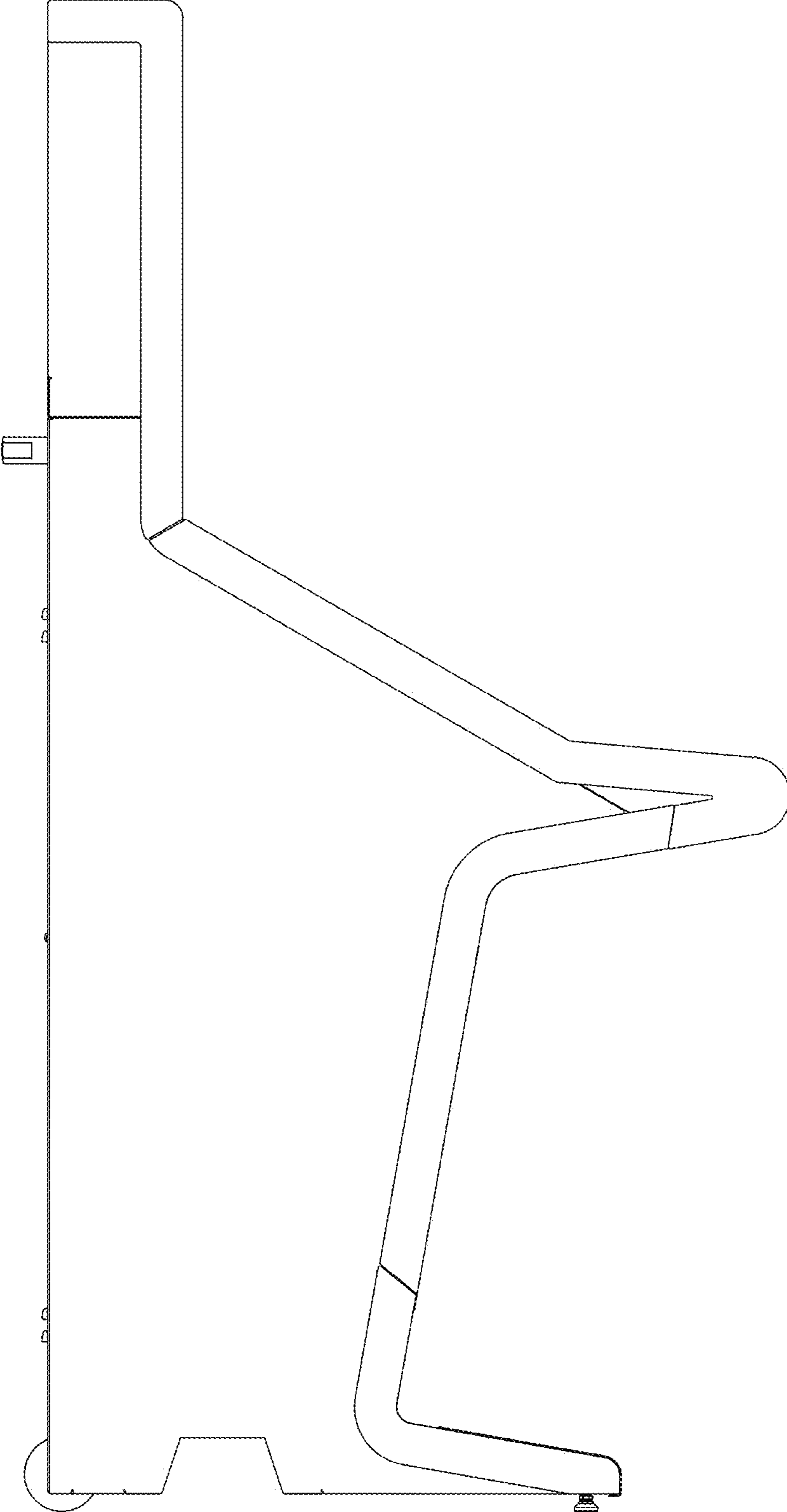


FIG. 3

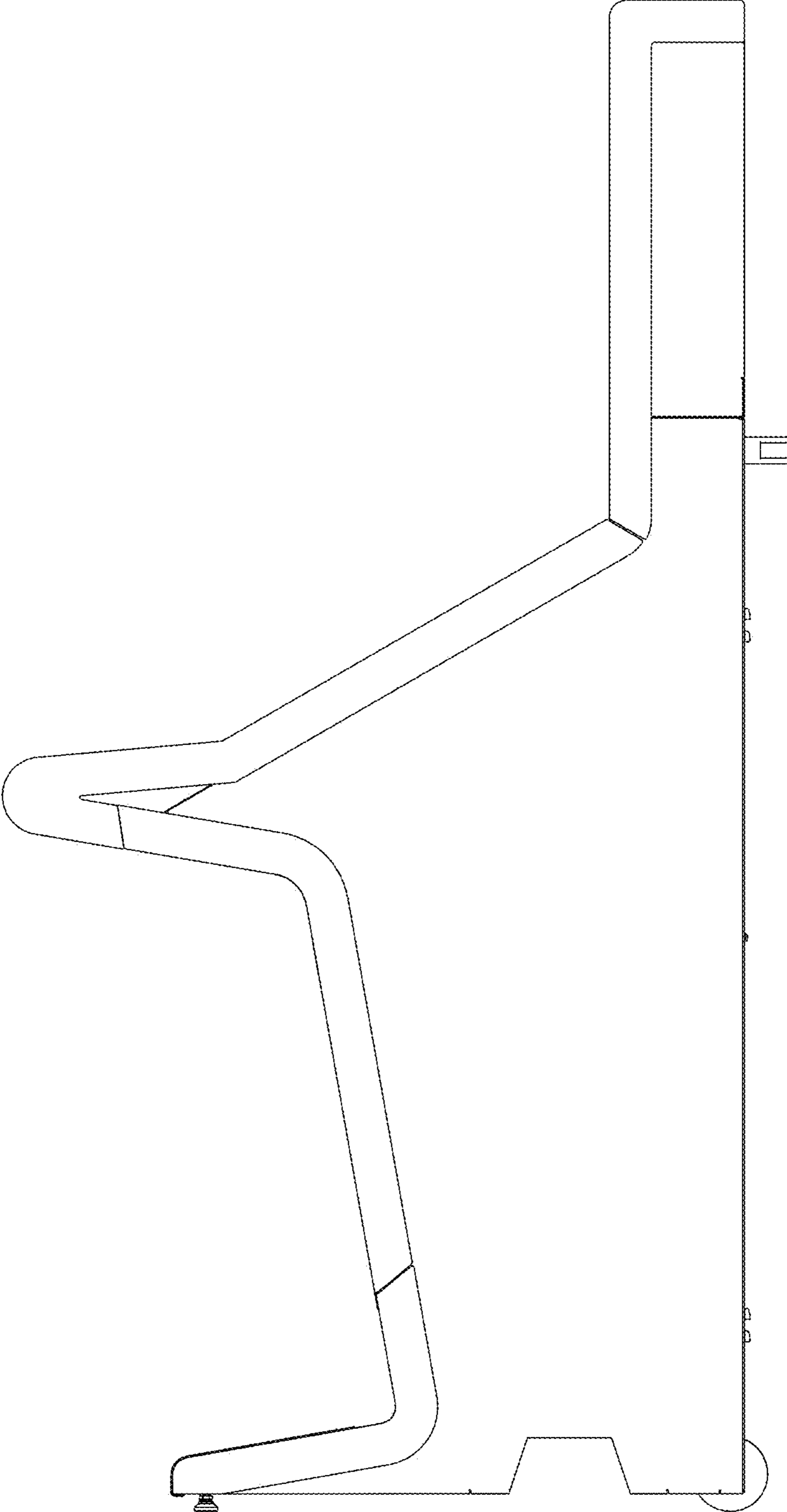


FIG. 4

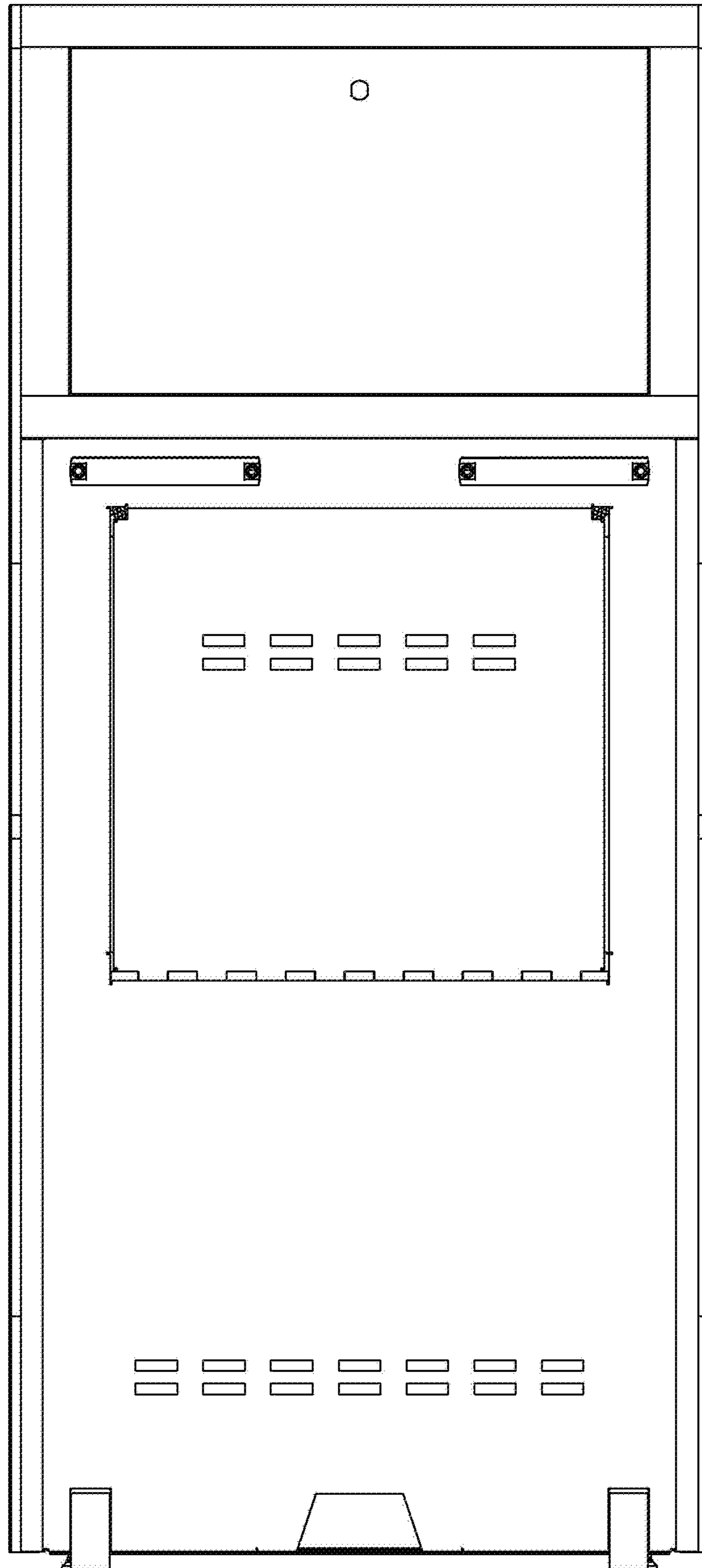


FIG. 5

FIG. 6

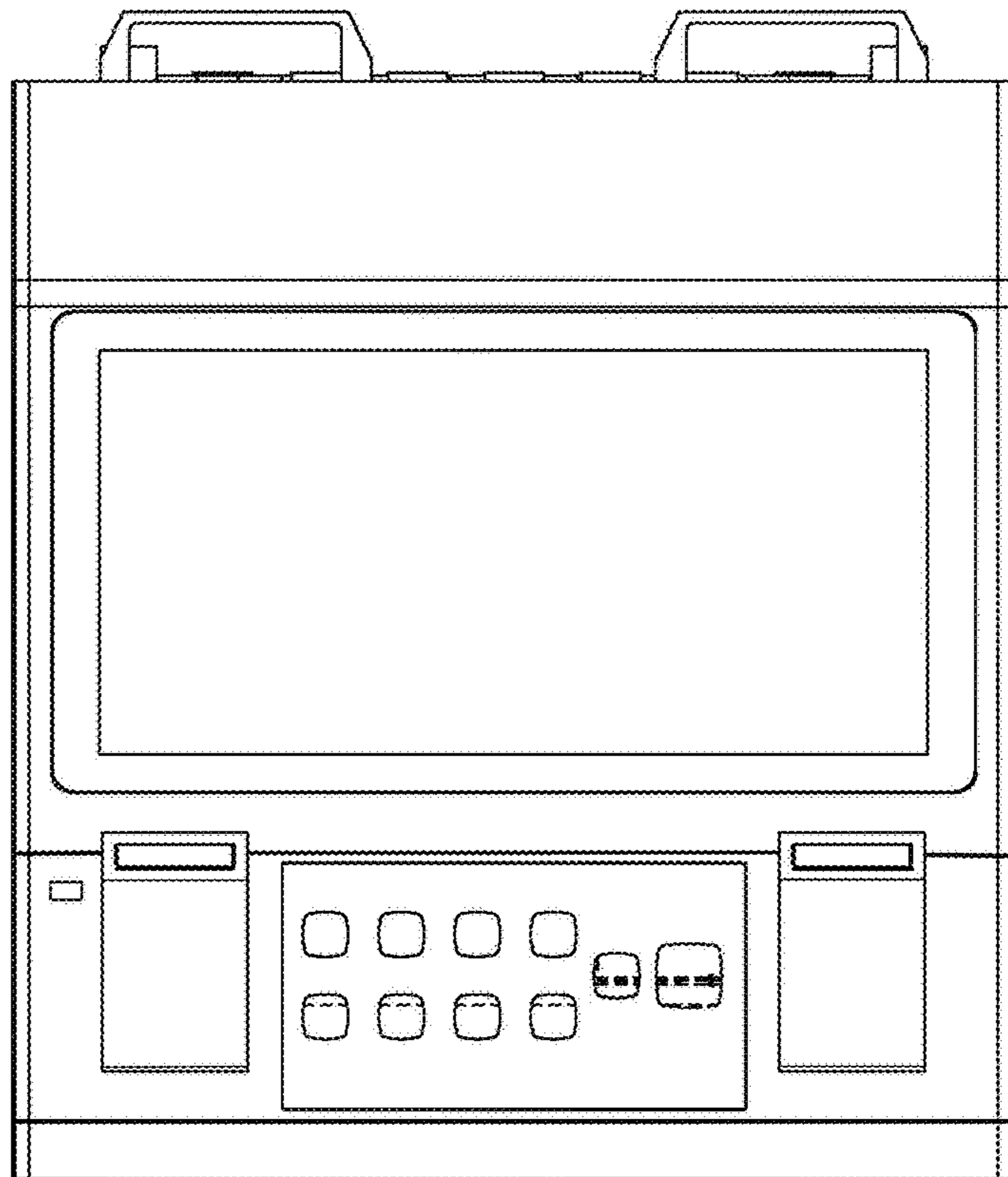


FIG. 7

