



US00D934953S

(12) **United States Design Patent** (10) **Patent No.:** **US D934,953 S**  
**Kaminkow et al.** (45) **Date of Patent:** **\*\* Nov. 2, 2021**

(54) **GAMING MACHINE**

FOREIGN PATENT DOCUMENTS

(71) Applicant: **Aristocrat Technologies Australia Pty Limited**, North Ryde (AU)

AU 200105181 12/2001  
CA 178255 11/2018

(Continued)

(72) Inventors: **Joseph Kaminkow**, Las Vegas, NV (US); **Bruce Urban**, Las Vegas, NV (US); **Dominic DeMarco**, Round Rock, TX (US); **Larry Pacey**, Las Vegas, NV (US); **Daniel Harden**, Palo Alto, CA (US); **Ariel Turgel**, San Francisco, CA (US); **Cheng-Fu Hsieh**, Sunnyvale, CA (US)

OTHER PUBLICATIONS

“Flappy Bird arcade cabinet will empty your wallet in record time”, Fingas, Jan. 10, 2015, retrieved from <https://www.engadget.com/2015/01/10/flappy-bird-arcade-cabinet/>.

(Continued)

(73) Assignee: **Aristocrat Technologies Australia Pty Limited**, North Ryde (AU)

*Primary Examiner* — Kevin K Rudzinski

*Assistant Examiner* — Mehri Bajoul

(74) *Attorney, Agent, or Firm* — McAndrews, Held & Malloy, Ltd.

(\*\*) Term: **15 Years**

(57) **CLAIM**

(21) Appl. No.: **29/768,121**

The ornamental design for a gaming machine, as shown and described.

(22) Filed: **Jan. 27, 2021**

**DESCRIPTION**

**Related U.S. Application Data**

(62) Division of application No. 29/658,892, filed on Aug. 3, 2018, now Pat. No. Des. 917,621.

(51) **LOC (13) Cl.** ..... **21-01**

(52) **U.S. Cl.**  
USPC ..... **D21/300**

(58) **Field of Classification Search**  
USPC ..... D21/300, 323, 324, 325, 326, 327, 328, D21/329, 330, 331, 332, 333, 334, 335,  
(Continued)

FIG. 1 is a front perspective view of a gaming machine showing our new design according to a first embodiment; FIG. 2 is a front elevation view thereof; FIG. 3 is a rear elevation view thereof; FIG. 4 is a right side elevation view thereof; FIG. 5 is a left side elevation view thereof; FIG. 6 is a top plan view thereof; FIG. 7 is a bottom plan view thereof; FIG. 8 is a rear perspective view thereof; FIG. 9 is a front perspective view of a gaming machine showing our new design according to a second embodiment; FIG. 10 is a front elevation view thereof; FIG. 11 is a rear elevation view thereof; FIG. 12 is a right side elevation view thereof; FIG. 13 is a left side elevation view thereof; FIG. 14 is a top plan view thereof; FIG. 15 is a bottom plan view thereof; and, FIG. 16 is a rear perspective view thereof.

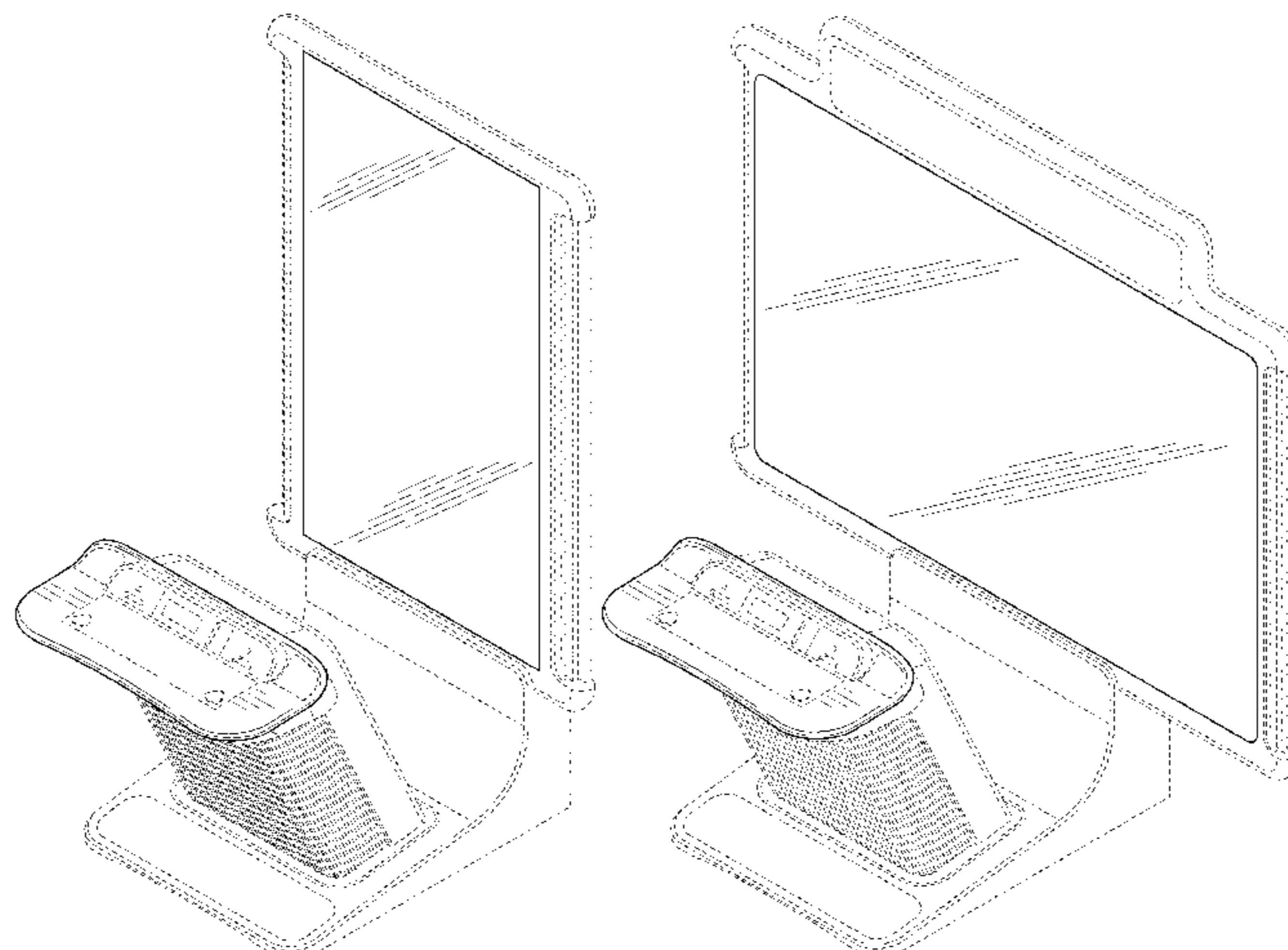
(Continued)

(56) **References Cited**

U.S. PATENT DOCUMENTS

D77,825 S 2/1929 Fey  
D139,949 S 1/1945 Haggstrom

(Continued)



The dashed broken lines in the drawings illustrate portions of the gaming machine that form no part of the claimed design.

**1 Claim, 16 Drawing Sheets**

(58) **Field of Classification Search**

USPC ..... D21/336, 337, 369, 370, 371, 372, 373,  
D21/374, 385; D99/33, 34, 35, 36;  
D14/125, 126, 133, 203.7, 203.8, 217,  
D14/300, 301, 302, 305, 307, 334, 496,  
D14/511  
CPC ..... G07F 17/3283; G07F 17/3204  
See application file for complete search history.

(56) **References Cited**

U.S. PATENT DOCUMENTS

D245,359 S	8/1977	Wilke	
D344,296 S	2/1994	McKay	
D376,391 S	12/1996	Okumara	
5,676,231 A	10/1997	Legras	
D411,582 S	6/1999	Hiroyuki	
D421,631 S	3/2000	Tsuda	
D460,915 S	7/2002	Lynch	
6,464,586 B1	10/2002	Kamata	
D467,977 S	12/2002	Gatto	
6,530,842 B1	3/2003	Wells	
D537,482 S *	2/2007	Gadda	D21/385
D594,068 S	6/2009	Hsu	
D658,721 S	5/2012	Yang	
8,210,949 B2	7/2012	Graf	
D704,273 S	5/2014	Chudek	
D706,741 S	6/2014	Myers	
8,986,109 B2	3/2015	Graf	
D740,887 S	10/2015	Randazzo	
D802,676 S	11/2017	Steelman	
D808,467 S	1/2018	Huang	
9,858,750 B2	1/2018	Kovacs	
D812,145 S	3/2018	Huang	
D818,048 S	5/2018	Calhoun	
D820,915 S	6/2018	Lee	
D833,535 S *	11/2018	Lim	D21/370
D839,357 S	1/2019	Steelman	
D842,929 S	3/2019	Hung	
D843,463 S	3/2019	Castro	
D843,465 S *	3/2019	Castro	D21/369
D843,472 S	3/2019	Castro	
D843,476 S	3/2019	Lesley	
D843,479 S	3/2019	Castro	
D844,062 S	3/2019	Lesley	
D847,905 S	5/2019	Lewis	
D849,149 S *	5/2019	Bussey	D21/369
D852,890 S	7/2019	Ross	
D864,305 S *	10/2019	Ortiz De Viveiros	D21/369
D866,666 S *	11/2019	Ditton	D21/369
D867,461 S	11/2019	Huang	
D868,716 S *	12/2019	Hodgson	D14/127
D887,496 S *	6/2020	Urban	D21/370
D889,546 S *	7/2020	Jones	D21/326
D889,547 S *	7/2020	Jones	D21/326
D890,848 S *	7/2020	Johnson	D21/369
D905,172 S *	12/2020	Zedell, Jr.	D21/369
D907,124 S *	1/2021	DeMarco	D21/369
D907,708 S *	1/2021	DeMarco	D21/369
D907,709 S *	1/2021	DeMarco	D21/369

D908,171 S *	1/2021	DeMarco	D21/369
D908,173 S *	1/2021	DeMarco	D21/369
D909,479 S *	2/2021	DeMarco	D21/324
D909,491 S *	2/2021	DeMarco	D21/369
D910,119 S *	2/2021	DeMarco	D21/369
D910,763 S *	2/2021	DeMarco	D21/369
D911,992 S *	3/2021	Stinson	D14/126
D913,379 S *	3/2021	Calhoun Lewis	D21/369
D917,621 S *	4/2021	Kaminkow	D21/300
D918,300 S *	5/2021	DeMarco	D21/324
D918,303 S *	5/2021	DeMarco	D21/369
D918,850 S *	5/2021	Shim	B64D 11/00154 D14/126
D918,852 S *	5/2021	Shim	B64D 11/00154 D14/126
D919,010 S *	5/2021	Bussey	D21/369
D919,585 S *	5/2021	Shim	B64D 11/00154 D14/126
D919,586 S *	5/2021	Lim	B64D 11/00154 D14/126
D920,323 S *	5/2021	Lee	D14/307
D921,762 S *	6/2021	Hodgson	D21/333
2002/0198034 A1	12/2002	Wang	
2008/0087521 A1	4/2008	Cole	
2008/0254881 A1	10/2008	Lutnick	
2017/0039812 A1	2/2017	Baron	
2018/0075707 A1	3/2018	Hirai	
2019/0046872 A1	2/2019	Glenn, II	
2019/0096169 A1	3/2019	Tovar	

FOREIGN PATENT DOCUMENTS

DE	0015402120001	6/2009
DE	0015402380001	8/2009
DE	0028613360001	11/2015
EP	1778375	5/2007
JP	1101243	2/2001
JP	1484230	10/2013

OTHER PUBLICATIONS

“World’s Largest Pac-Man Game Overview”, Bandai Namco, Jul. 11, 2016, retrieved from [https://www.youtube.com/watch?time\\_continue=54&v=4GqS9TTecGe](https://www.youtube.com/watch?time_continue=54&v=4GqS9TTecGe).

“Ice Debuts Shell Game Addition To Price Is Right Redemption Lineup”, Montano, Jun. 5, 2011, retrieved from <https://www.vendingtimes.com/articles/ice-debuts-shell-game-addition-to-price-is-right-r-8412?id=5FF3782D18934396BD83A14B3BD1E0BC>.

“SD Ped pro”, Xtension, Sep. 28, 2014, retrieved from <http://www.xtensiongaming.com/products/xtension-sit-down-pedestal-arcade-cabineet-for-fight-sticks/attachment/sd-ped-pro/>.

“Incredible Technologies Details Golden Tee LIVE 2012”, ARCADEHERO, Aug. 25, 2011, retrieved from <http://arcadeheroes.com/2011/08/25/incredible-technologies-details-golden-tee-live-2012/>.

“NOVOMATIC to showcase latest products at Peru Gaming Show”, Jun. 2, 2016, retrieved from <http://www.innovategaming.com/c63114>.

“Introductie Fazi Roulette”, Elam Group, Jun. 10, 2018, retrieved from <https://www.youtube.com/watch?v=RLrFI5QDT5U>.

Office Action dated Mar. 25, 2020, for U.S. Appl. No. 29/658,892 (pp. 1-10).

Office Action dated Sep. 18, 2020 for U.S. Appl. No. 29/658,892 (pp. 1-5).

Notice of Allowance dated Dec. 31, 2020 for U.S. Appl. No. 29/658,892 (pp. 1-5).

\* cited by examiner

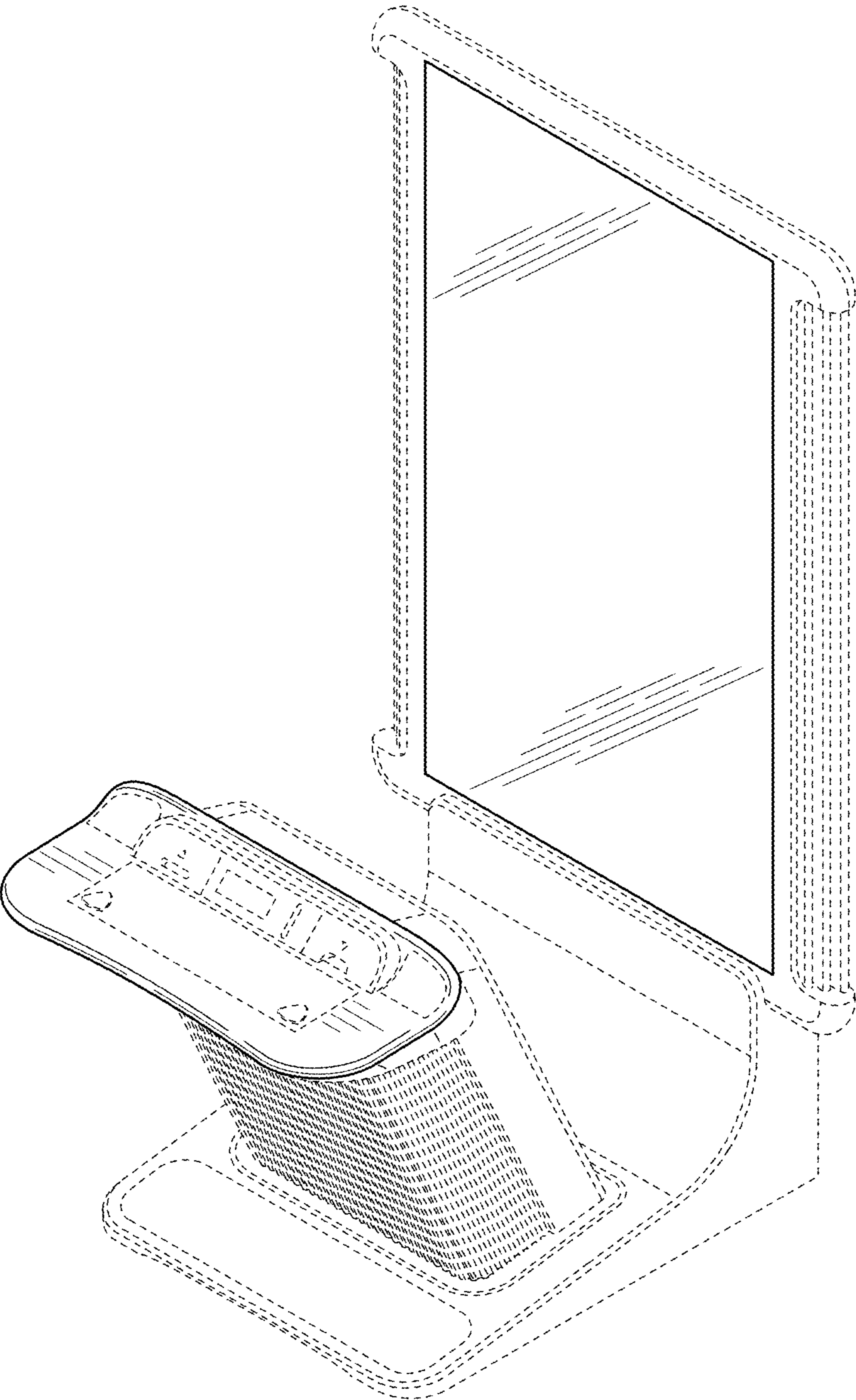


FIG. 1

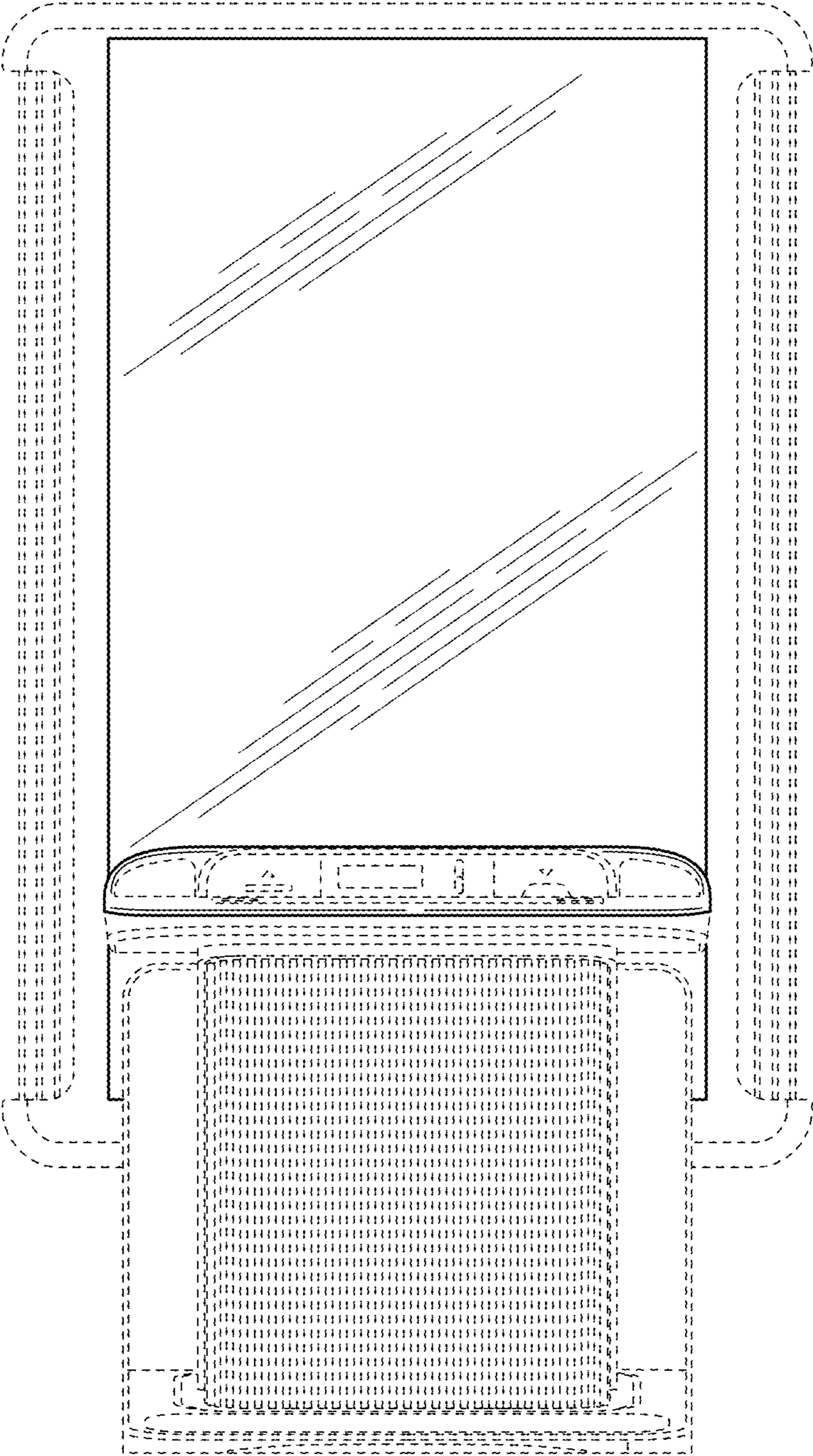


FIG. 2

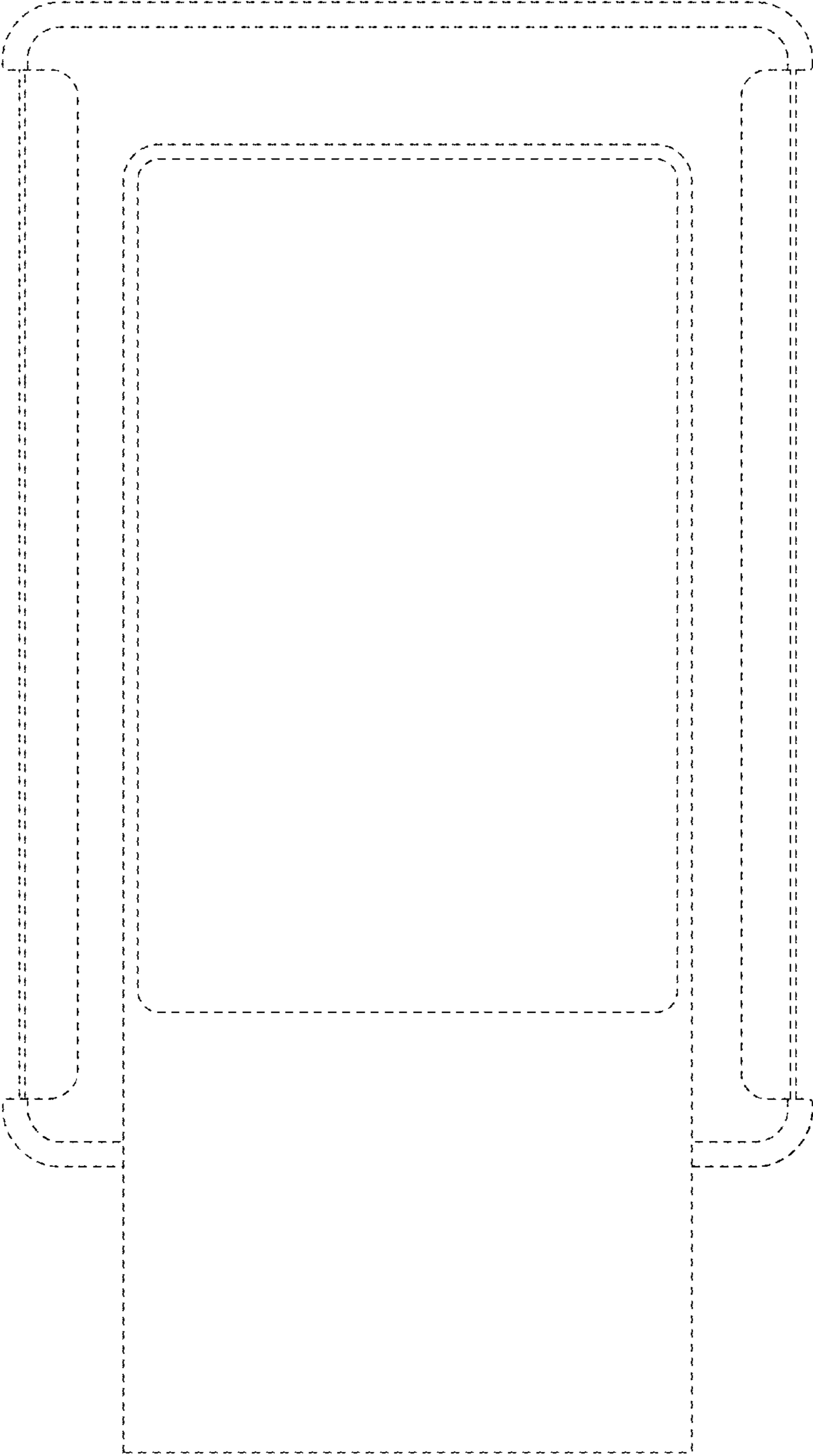


FIG. 3

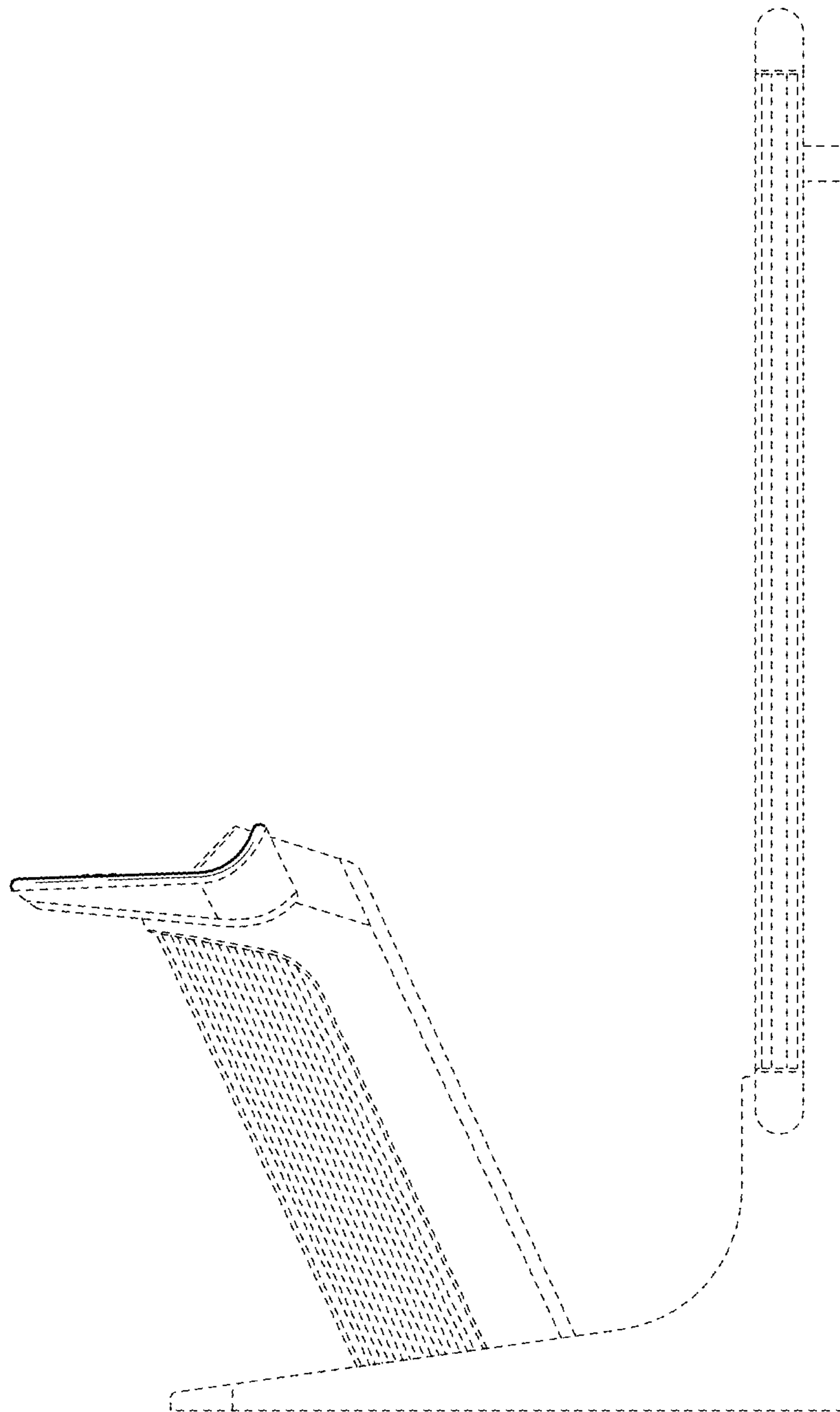


FIG. 4

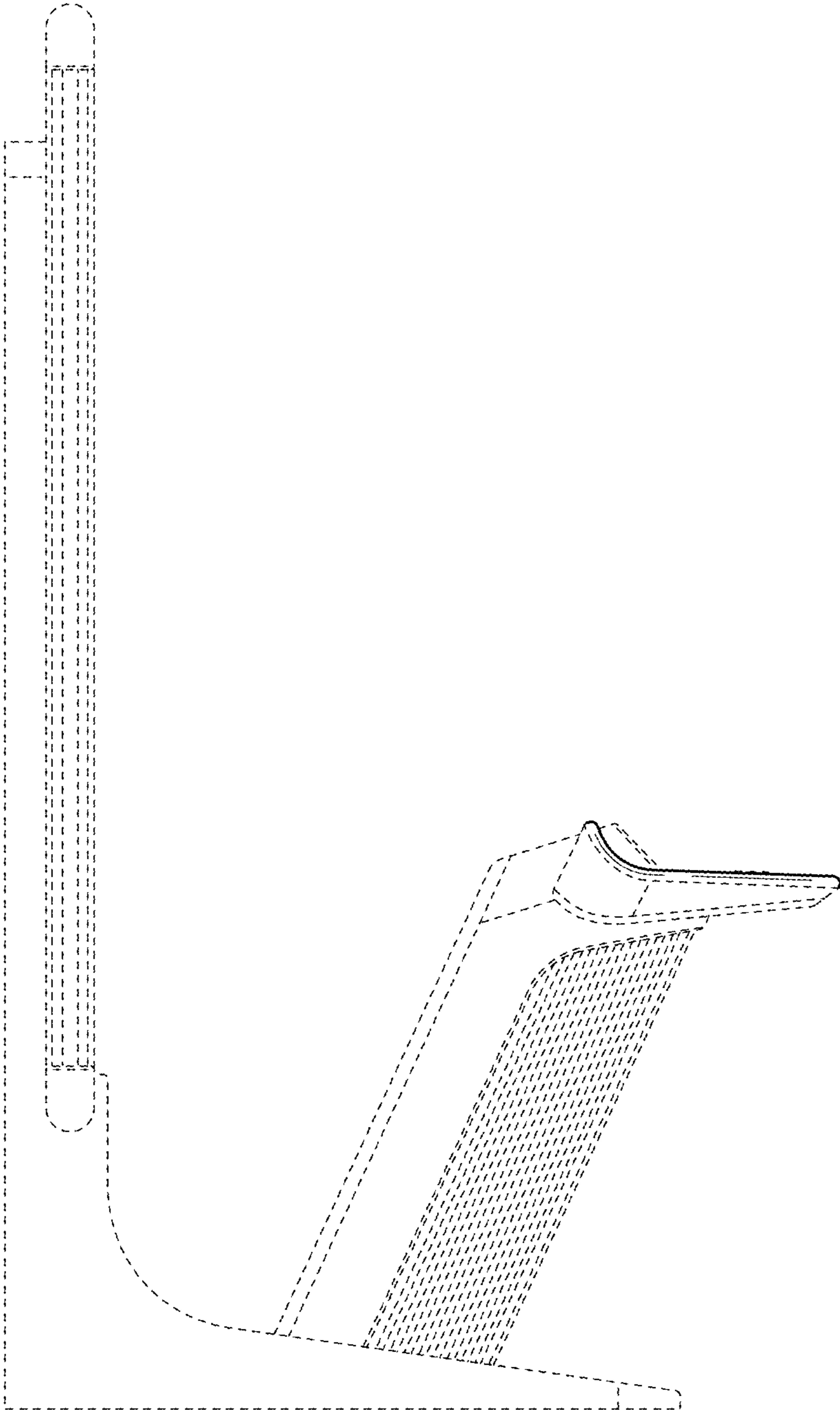


FIG. 5

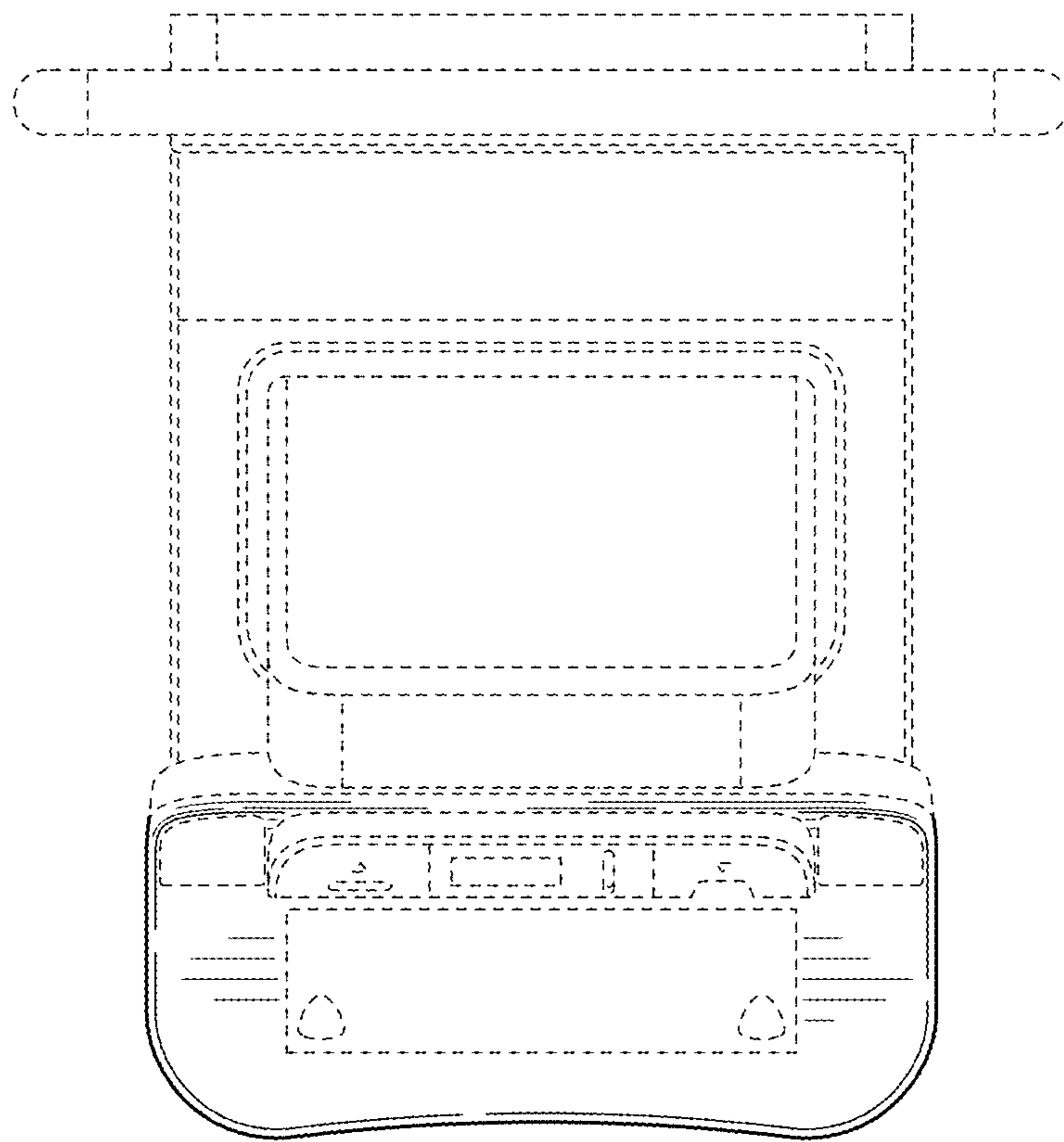


FIG. 6



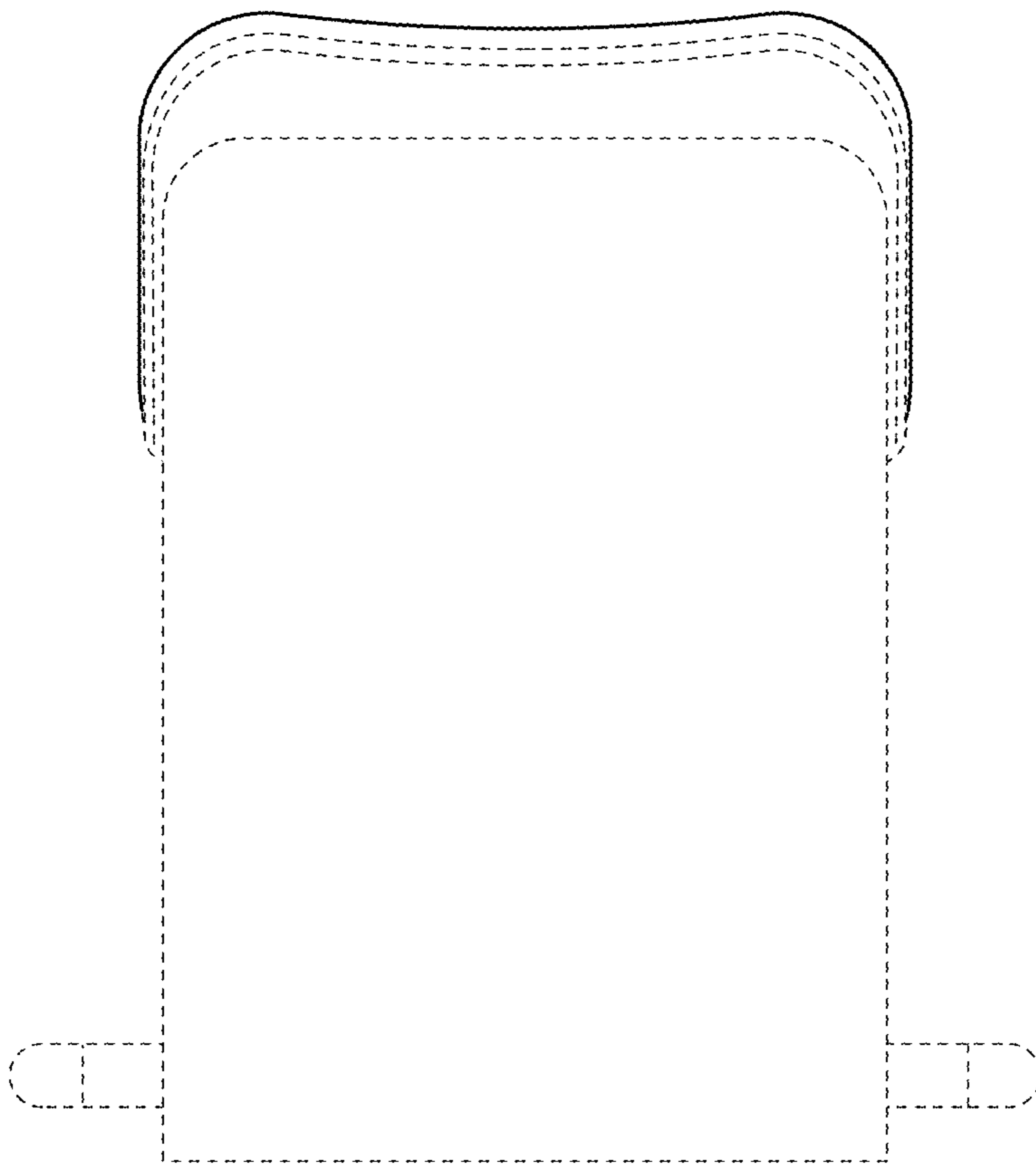


FIG. 7

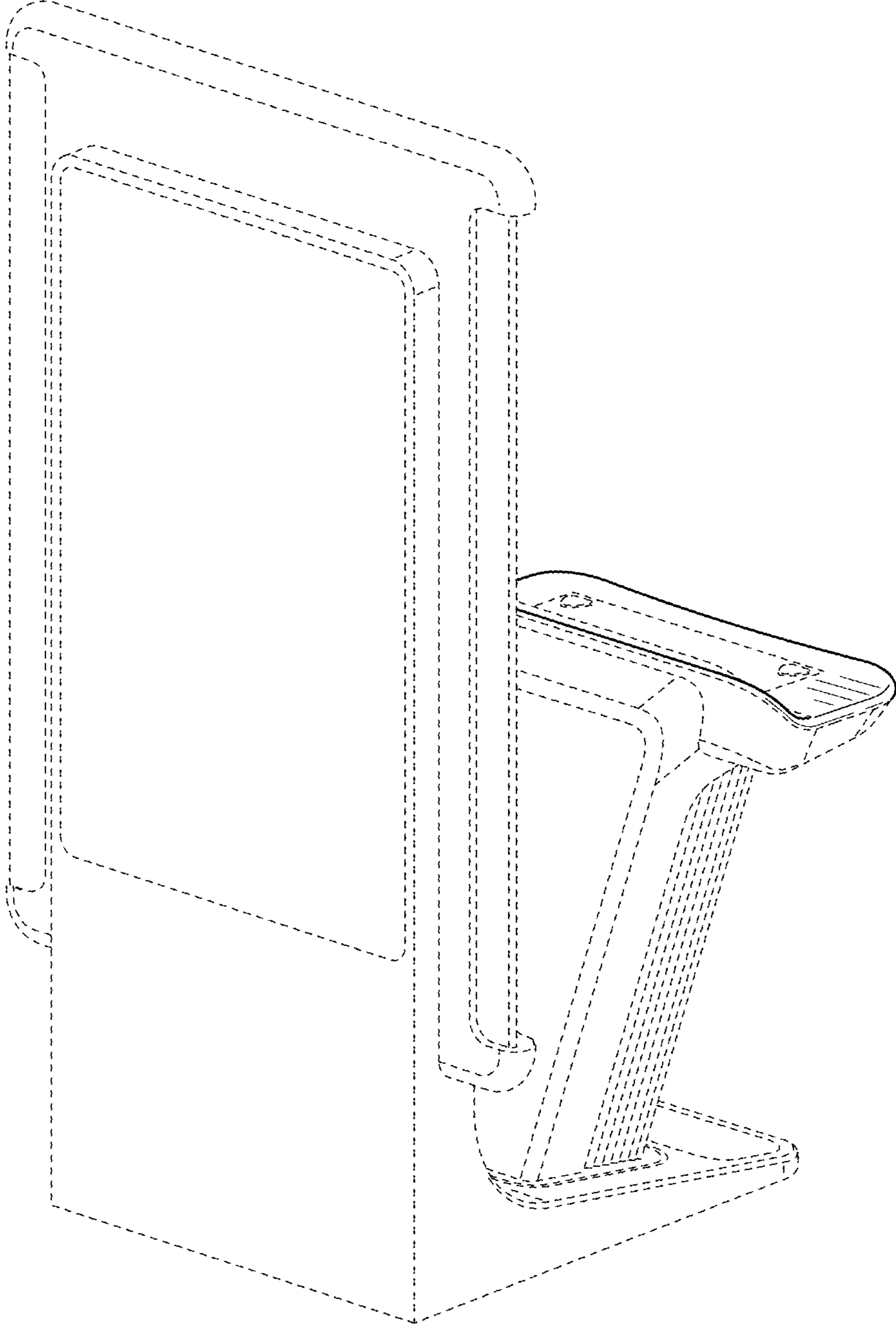


FIG. 8

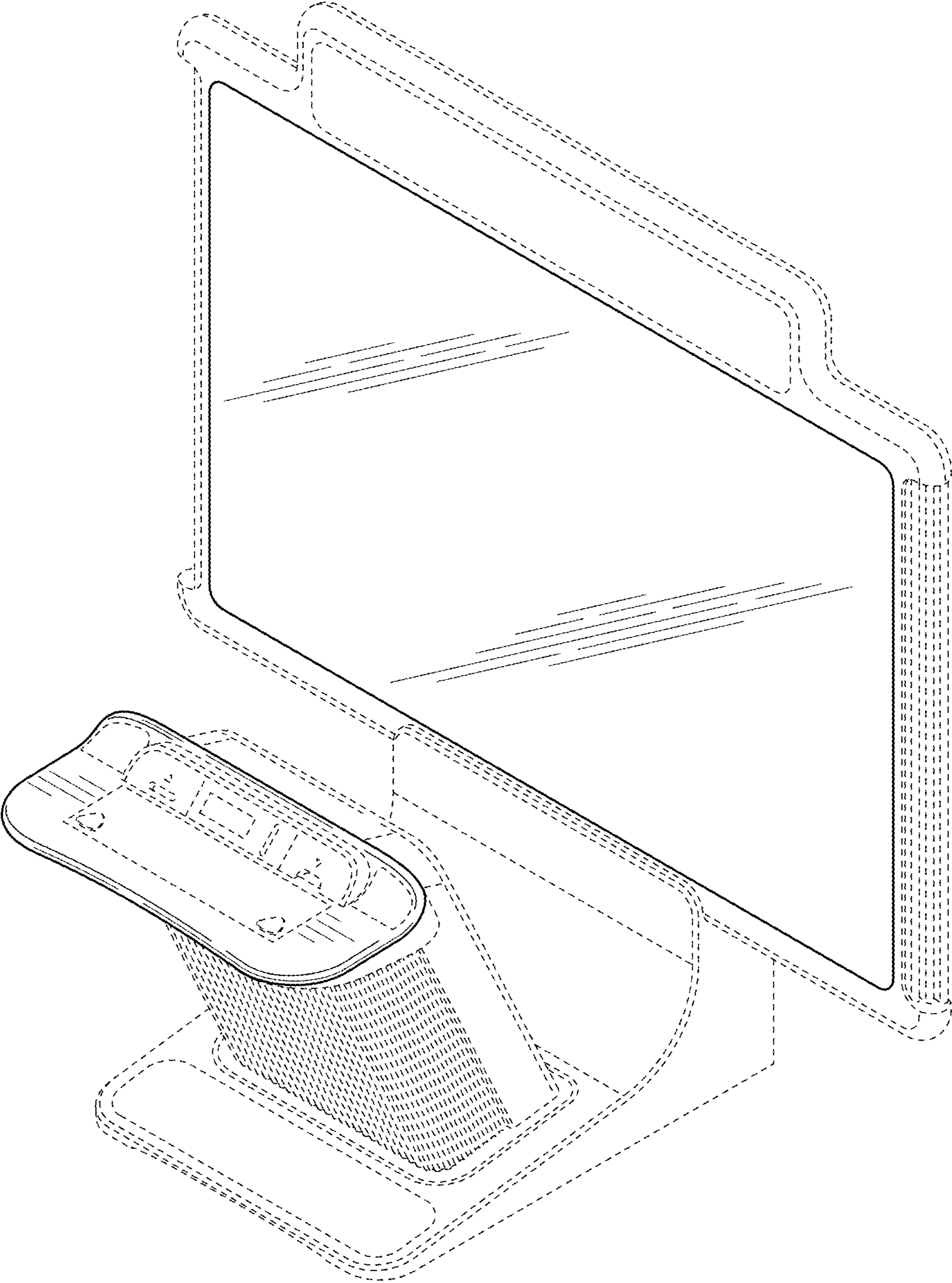


FIG. 9

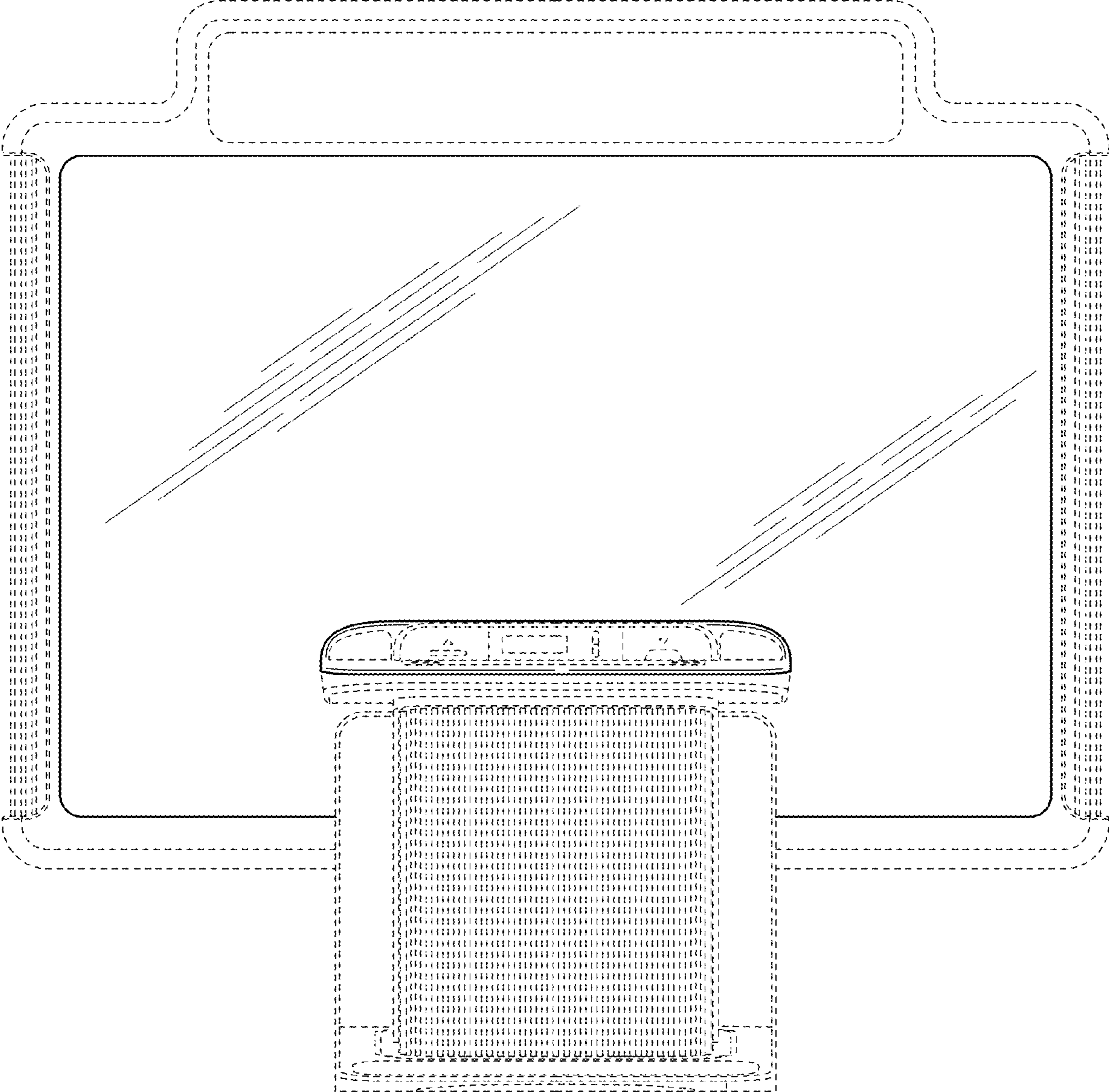


FIG. 10

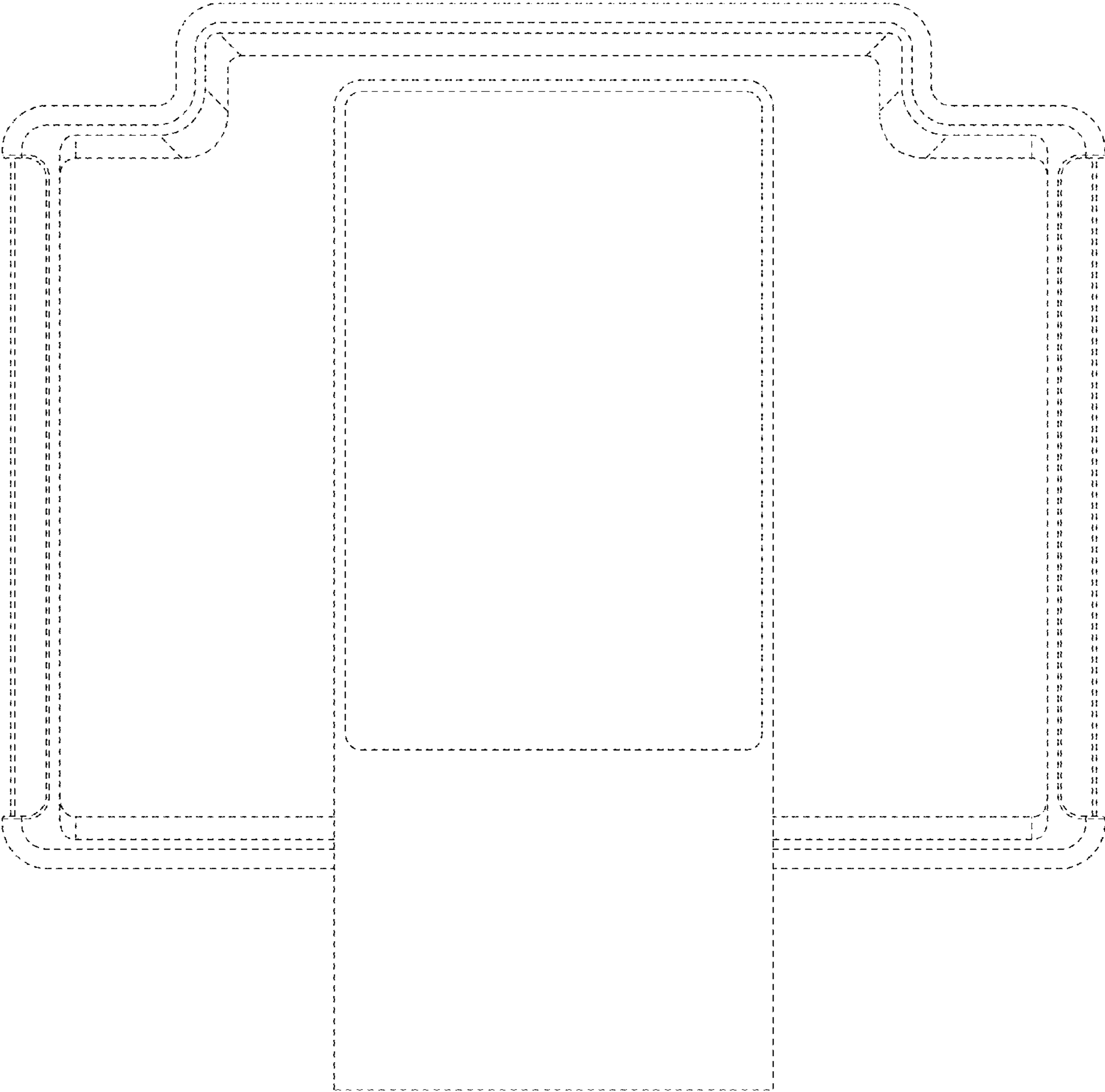


FIG. 11

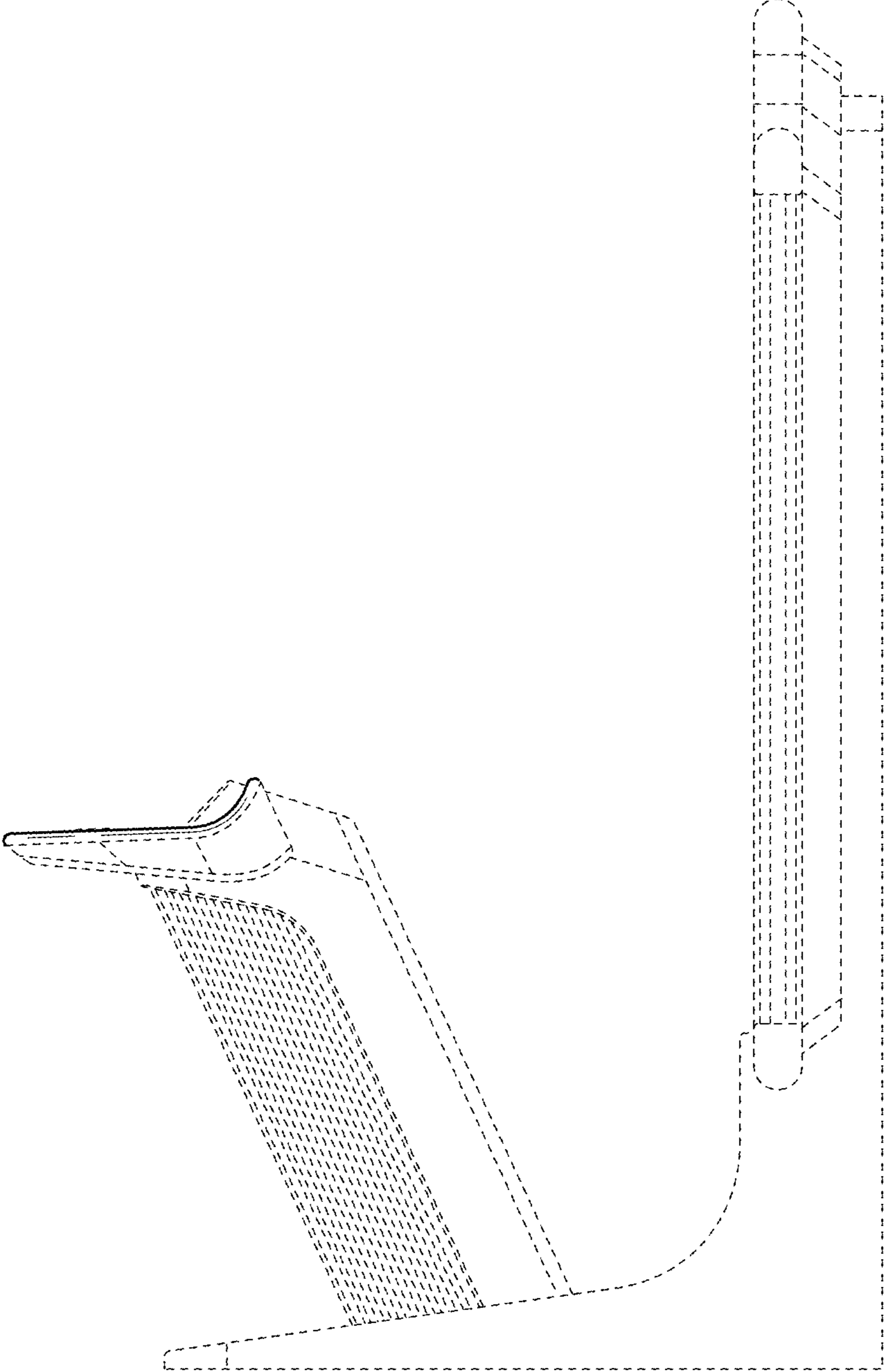


FIG. 12

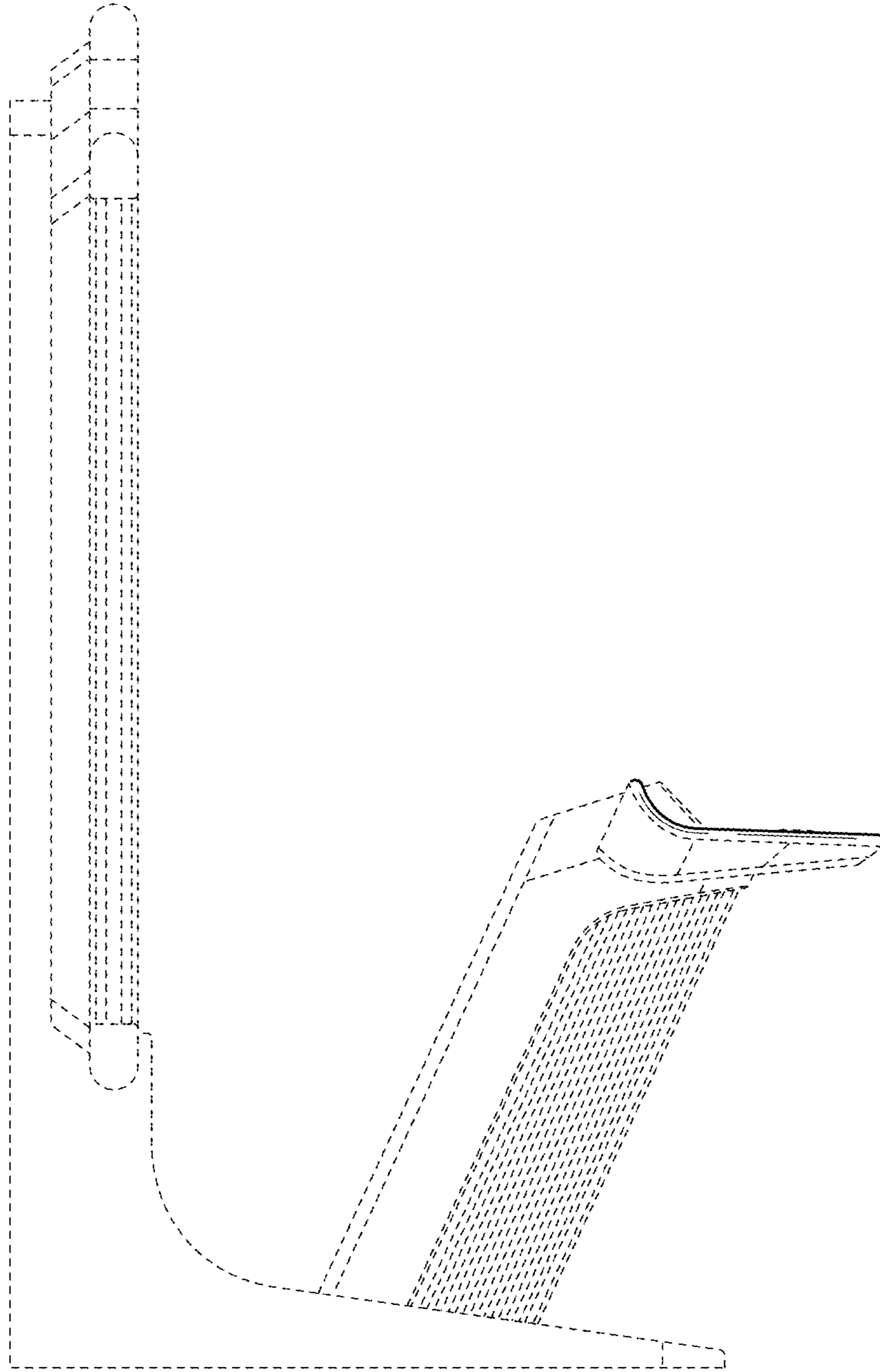


FIG. 13

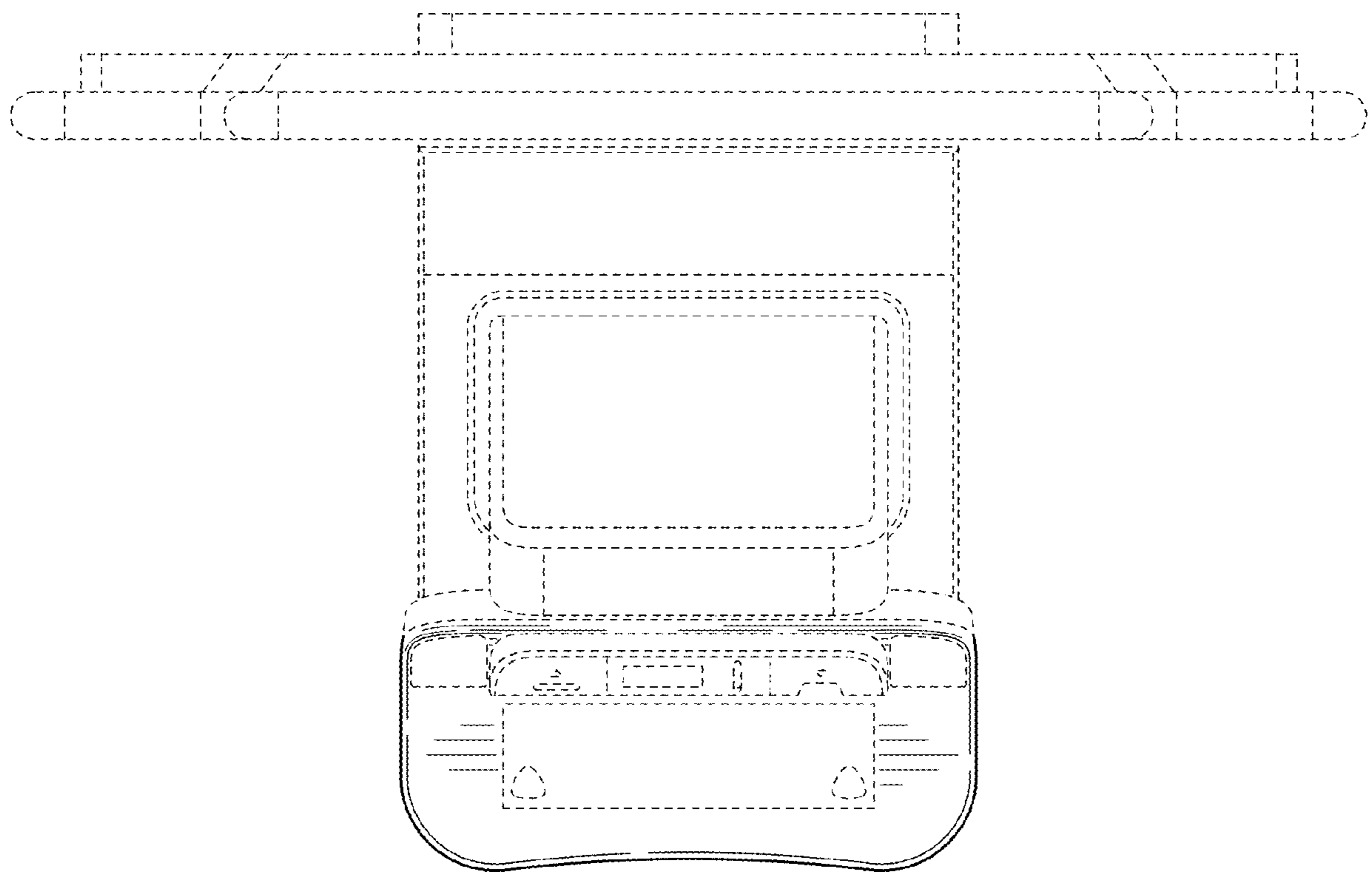


FIG. 14



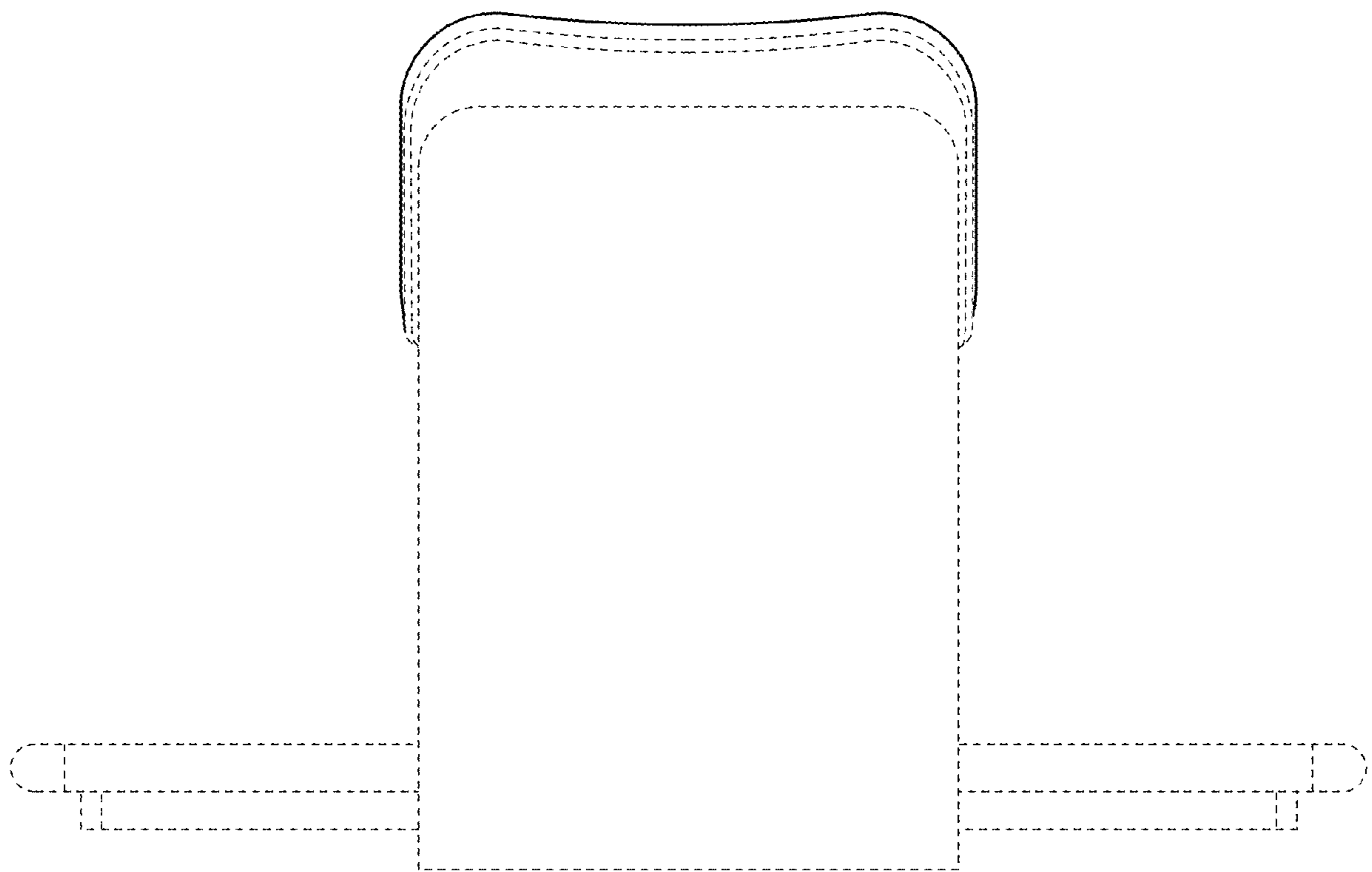


FIG. 15

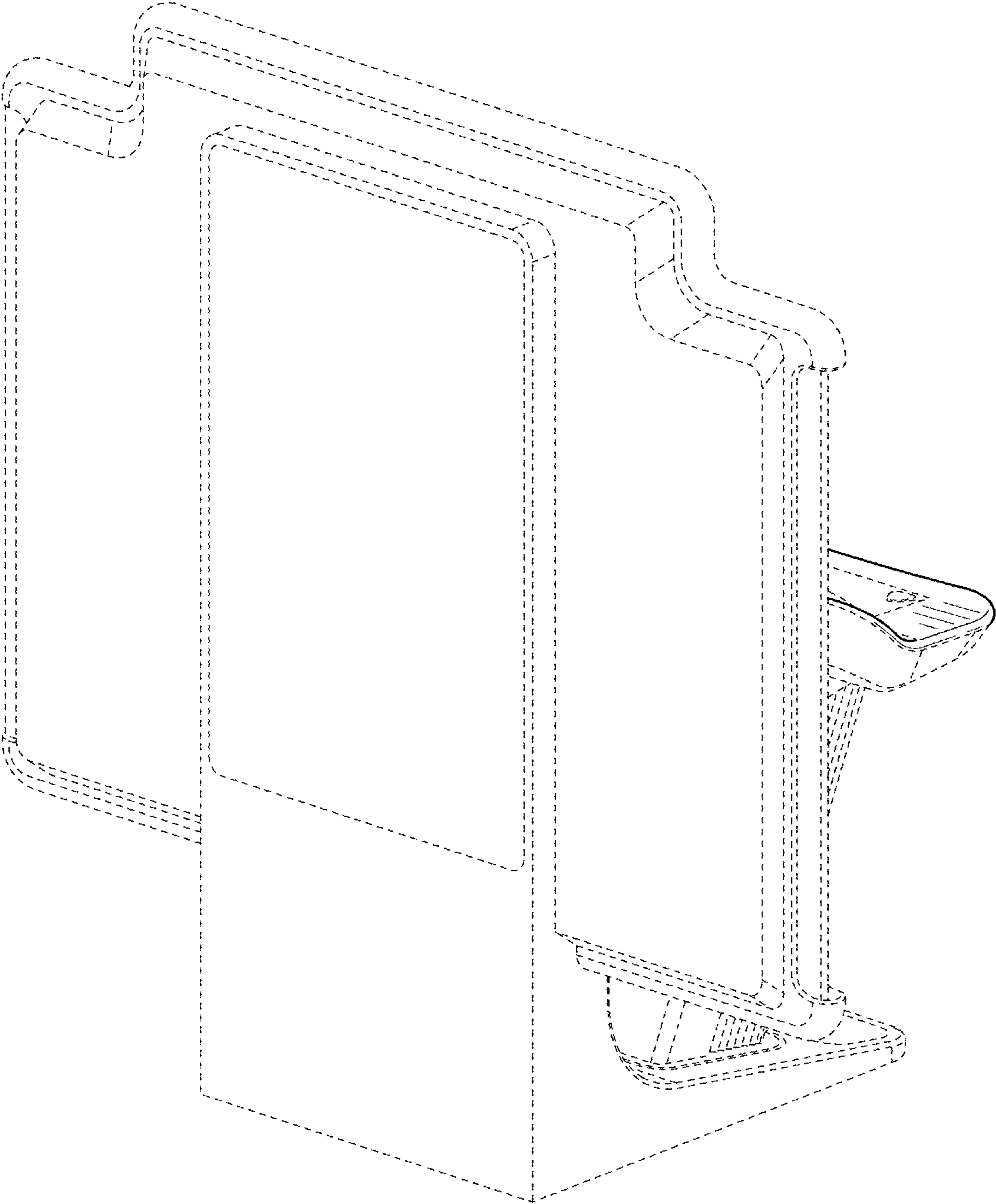


FIG. 16