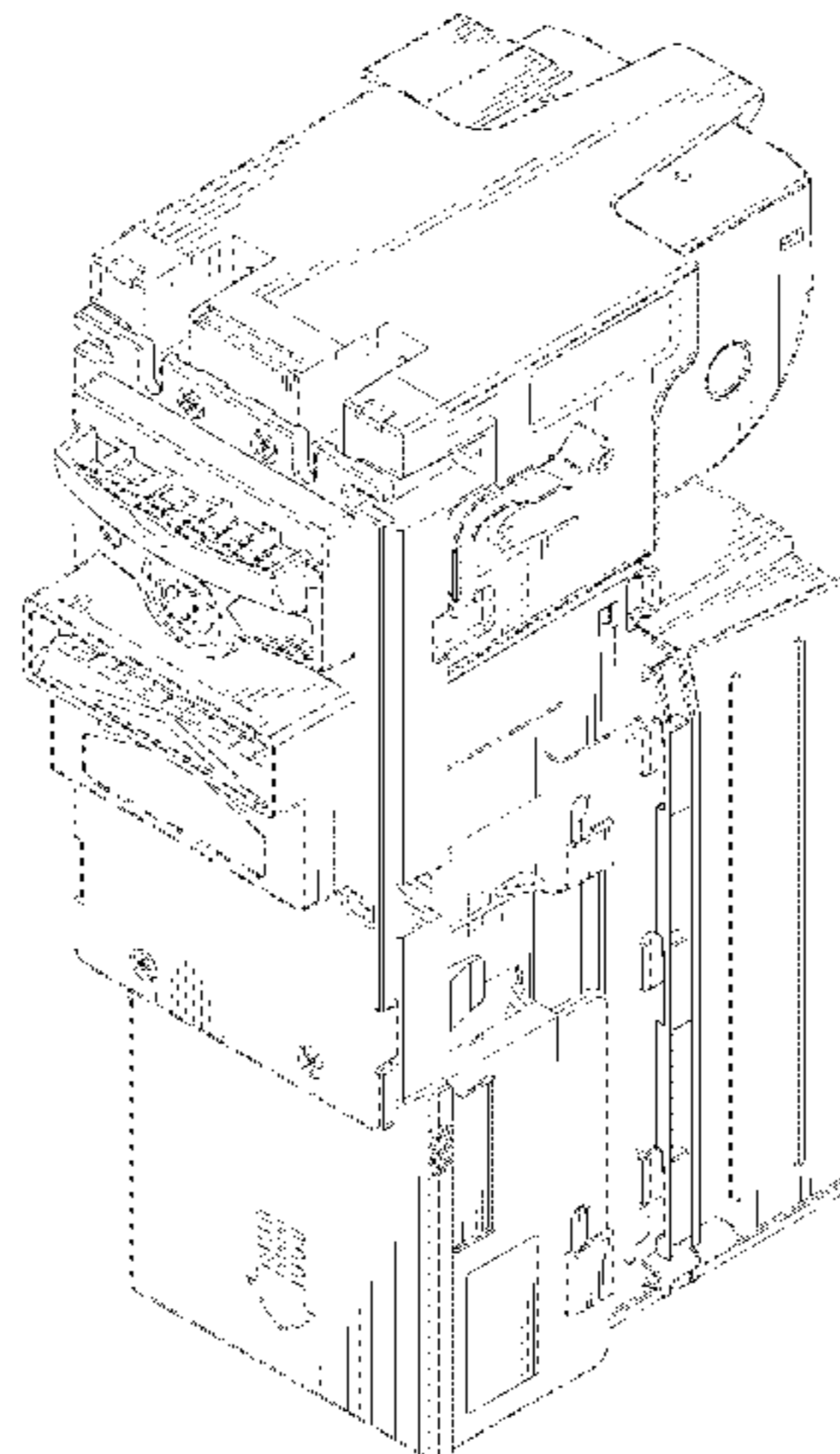




US00D934951S

(12) **United States Design Patent** (10) **Patent No.:** **US D934,951 S**
Chang (45) **Date of Patent:** **** Nov. 2, 2021**

- (54) **BILL ACCEPTOR** 5,730,271 A * 3/1998 Buchman G07F 7/04
194/206
- (71) Applicant: **INTERNATIONAL CURRENCY TECHNOLOGIES CORPORATION, Taipei (TW)** 5,756,985 A * 5/1998 Holste B65H 29/46
235/475
D404,075 S * 1/1999 Hatamachi D20/8
D446,464 S * 8/2001 Chou D10/104.1
D450,907 S * 11/2001 Chou D99/34
D476,688 S * 7/2003 Yu D20/8
D477,030 S * 7/2003 Kolls D20/8
D477,902 S * 7/2003 Bergeron D18/3.3
D483,057 S * 12/2003 Bergeron D18/3.3
6,669,050 B2 * 12/2003 Yu B65H 31/22
221/154
- (72) Inventor: **Chia-Min Chang, Taipei (TW)**
- (73) Assignee: **International Currency Technologies Corporation, Taipei (TW)**
- (**) Term: **15 Years** D490,101 S * 5/2004 Bergeron D18/3.3
D490,839 S * 6/2004 Bergeron D18/3.3
6,742,645 B2 * 6/2004 Chou G07D 11/0006
194/206
- (21) Appl. No.: **29/704,527** D498,795 S * 11/2004 Nunn D20/8
6,866,201 B2 * 3/2005 Abe G06K 13/08
235/379
- (22) Filed: **Sep. 5, 2019**
- (51) **LOC (13) Cl.** **20-01**
- (52) **U.S. Cl.**
USPC **D20/8; D10/97**
- (58) **Field of Classification Search**
USPC D18/3.1, 3.2, 3.3, 12, 12.1, 46, 47, 49;
D14/383, 385, 386, 901, 902; D99/28,
D99/34, 36, 43; D10/46, 97; D20/1, 8,
D20/9; D19/78, 86, 99, 100
CPC ... G07F 7/00; G07F 7/04; G07F 1/044; G07F
9/026; G07F 19/20; G07F 19/202; G07F
19/205; G07D 7/121; G07D 11/00; G07D
11/0087; G07D 13/00; G07D 2211/00;
G02B 6/0051; G02B 6/0055; G02B
6/0075; B65H 29/46
See application file for complete search history.
- (56) **References Cited**
U.S. PATENT DOCUMENTS
- | | |
|---|--|
| 5,209,395 A * 5/1993 Zouzoulas G07D 11/0009
109/45 | 5,730,271 A * 3/1998 Buchman G07F 7/04
194/206 |
| 5,405,131 A * 4/1995 Zouzoulas B65H 29/46
271/181 | 5,756,985 A * 5/1998 Holste B65H 29/46
235/475 |
| 5,411,249 A * 5/1995 Zouzoulas B65H 29/38
271/181 | D404,075 S * 1/1999 Hatamachi D20/8 |
| D359,765 S * 6/1995 Izawa D20/9 | D446,464 S * 8/2001 Chou D10/104.1 |
| 5,495,929 A * 3/1996 Batalianets G07D 7/04
194/207 | D450,907 S * 11/2001 Chou D99/34 |
| | D476,688 S * 7/2003 Yu D20/8 |
| | D477,030 S * 7/2003 Kolls D20/8 |
| | D477,902 S * 7/2003 Bergeron D18/3.3 |
| | D483,057 S * 12/2003 Bergeron D18/3.3 |
| | 6,669,050 B2 * 12/2003 Yu B65H 31/22
221/154 |
| | D490,101 S * 5/2004 Bergeron D18/3.3 |
| | D490,839 S * 6/2004 Bergeron D18/3.3 |
| | 6,742,645 B2 * 6/2004 Chou G07D 11/0006
194/206 |
| | D498,795 S * 11/2004 Nunn D20/8 |
| | 6,866,201 B2 * 3/2005 Abe G06K 13/08
235/379 |
| | D525,659 S * 7/2006 Paczkowski D20/8 |
| | D526,359 S * 8/2006 Takeuchi D20/8 |
| | 7,104,383 B1 * 9/2006 Saltsov G07D 7/00
194/206 |
| | 7,188,836 B2 * 3/2007 Yamamiya G07D 11/0006
271/177 |
| | D543,588 S * 5/2007 Herbert D20/8 |
| | D547,806 S * 7/2007 Uemizo D20/8 |
| | 7,335,903 B1 * 2/2008 Yang G07D 11/0018
109/45 |
| | 7,494,059 B2 * 2/2009 Chang G07F 11/045
235/379 |
| | D597,057 S * 7/2009 Sheppard D14/142 |
| | D604,367 S * 11/2009 Thawley D20/8 |
| | D614,237 S * 4/2010 Hagiwara D20/8 |
| | D614,702 S * 4/2010 Tomiyoshi D20/8 |
| | 7,748,610 B2 * 7/2010 Bell B65D 43/162
235/379 |
| | D623,694 S * 9/2010 Tomiyoshi D20/8 |
| | D624,968 S * 10/2010 Tomiyoshi D20/8 |
| | D643,871 S * 8/2011 Gerlier D18/12.1 |
| | D661,727 S * 6/2012 Bleck D18/3.3 |
| | D678,416 S * 3/2013 Tomiyoshi D20/8 |
| | 8,684,156 B1 * 4/2014 Chang G07F 7/04
194/207 |
| | D734,396 S * 7/2015 Seki D20/8 |
| | D736,318 S * 8/2015 Seki D20/8 |
| | 9,218,702 B2 * 12/2015 Bird G07F 1/041 |
| | D764,468 S * 8/2016 Yamamiya D14/385 |
| | D771,629 S * 11/2016 Yang D14/385 |
| | 9,708,125 B2 * 7/2017 Yamamiya B65G 13/071 |
| | 9,898,883 B1 * 2/2018 Chang G07D 11/0018 |



D815,966 S * 4/2018 Chang D10/97
 D816,526 S * 5/2018 Chang D10/97
 D849,839 S * 5/2019 Chang D20/8
 D849,840 S * 5/2019 Chang D20/8
 D865,060 S * 10/2019 Chang D20/8
 D865,870 S * 11/2019 Chang D20/8
 D867,455 S * 11/2019 Chang D20/8
 2003/0094488 A1 * 5/2003 Tanaka G06K 7/0013
 235/380
 2003/0111317 A1 * 6/2003 Chou G07D 11/12
 194/351
 2004/0050651 A1 * 3/2004 Heidel G07D 7/00
 194/217
 2004/0119225 A1 * 6/2004 Yamamiya G07D 11/0006
 271/180
 2004/0140441 A1 * 7/2004 Chen, Jr. G07F 7/04
 250/556
 2004/0231954 A1 * 11/2004 Iwai G07F 7/04
 194/207
 2005/0189702 A1 * 9/2005 Takeuchi B65H 31/14
 271/180
 2005/0224311 A1 * 10/2005 Tsai G07F 7/04
 194/203
 2006/0219516 A1 * 10/2006 Saltsov G07D 11/0072
 194/207
 2006/0272921 A1 * 12/2006 Chien G07F 7/04
 194/207
 2007/0084695 A1 * 4/2007 Yu G07F 7/04
 194/206
 2008/0084022 A1 * 4/2008 Yang B65H 31/22
 271/181
 2009/0218395 A1 * 9/2009 Chien G07F 7/04
 235/380
 2009/0223776 A1 * 9/2009 Lin G07F 7/04
 194/206
 2009/0242353 A1 * 10/2009 Yu G07D 11/0018
 194/207
 2009/0294242 A1 * 12/2009 Yu G07D 11/0018
 194/206
 2009/0294245 A1 * 12/2009 Paczkowski G07D 11/50
 194/206
 2009/0321217 A1 * 12/2009 Yu G07F 7/04
 194/207
 2010/0108462 A1 * 5/2010 Hsieh G07F 7/04
 194/206
 2010/0176197 A1 * 7/2010 Huang G07F 7/04
 235/381
 2010/0263983 A1 * 10/2010 Nireki B65H 31/06
 194/202
 2010/0270119 A1 * 10/2010 Tsao G07F 7/04
 194/206
 2010/0320056 A1 * 12/2010 Yu G07D 11/0018
 194/202
 2011/0007960 A1 * 1/2011 Nireki G07D 7/162
 382/135
 2011/0036681 A1 * 2/2011 Dunlop G07F 19/203
 194/206
 2014/0054459 A1 * 2/2014 Scott G07D 11/00
 250/338.1
 2014/0083815 A1 * 3/2014 Chang G07F 7/04
 194/344
 2014/0090950 A1 * 4/2014 Johnson G07D 11/0018
 194/344
 2014/0097063 A1 * 4/2014 Chiang G07D 11/0063
 194/206
 2014/0311860 A1 * 10/2014 Tsou G07D 11/0027
 198/395
 2015/0062960 A1 * 3/2015 Chang G07D 11/0018
 362/602
 2015/0063672 A1 * 3/2015 Chang G07D 7/2033
 382/135
 2017/0287254 A1 * 10/2017 Takeda G07D 11/16
 2018/0108201 A1 * 4/2018 Kamihigashi G07D 11/0018
 2018/0148290 A1 * 5/2018 Sackfield G07D 11/0033

2020/0005576 A1 * 1/2020 Yates G07F 19/202
 2020/0286322 A1 * 9/2020 Cost G07D 11/16
 2021/0155441 A1 * 5/2021 Chang B65H 35/008

FOREIGN PATENT DOCUMENTS

CN 305671552 * 3/2020
 CN 305689645 * 4/2020
 EP 2843630 A1 * 3/2015 G07D 7/2033

OTHER PUBLICATIONS

BS7 Installation Guide H6505A-R. ictgroup.com. [online pdf] 24 pgs. Copyright 2013. [Retrieved on Oct. 4, 2018] [http://www.ictgroup.com.tw/download/Installation%20Guide/BS7%20Installation%20Guide%20\(EN\)%20H6505A-R.pdf](http://www.ictgroup.com.tw/download/Installation%20Guide/BS7%20Installation%20Guide%20(EN)%20H6505A-R.pdf).
 A6-V6 Series Installation Guide H4458k-R. ictgroup.com. [online pdf] 13 pgs. Copyright 2003. [Retrieved on Oct. 4, 2018] [http://www.ictgroup.com.tw/download/Installation%20Guide/A6.V6%20Installation%20Guide\(EN\)%20H4458K-R.pdf](http://www.ictgroup.com.tw/download/Installation%20Guide/A6.V6%20Installation%20Guide(EN)%20H4458K-R.pdf).
 XBA mini_ Installation Guide H6673D-R. ictgroup.com. [online pdf] 12 pgs. Copyright 2015. [Retrieved on Oct. 4, 2018] [http://www.ictgroup.com.tw/download/Installation%20Guide/XBA-mini%20Installation%20Guide%20\(EN\)%20H6673D-R.pdf](http://www.ictgroup.com.tw/download/Installation%20Guide/XBA-mini%20Installation%20Guide%20(EN)%20H6673D-R.pdf).
 L70 L77 L83 Installation Guide H4908U-R. eurocoin.ro [online pdf] 27 pgs. Copyright 2007. [Retrieved on Oct. 4, 2018] <http://www.eurocoin.ro/sites/default/files/2018-05/L%20Series%20Installation%20Guide%20%28EN%29%20H4908U-R.pdf>.
 P Series Installation Guide H4814J-R. ictgroup.com. [online pdf] 17 pgs. Copyright 2005. [Retrieved on Oct. 4, 2018] [http://www.ictgroup.com.tw/download/Installation%20Guide/P%20Series%20Installation%20Guide\(EN\)%20H4814J-R.pdf](http://www.ictgroup.com.tw/download/Installation%20Guide/P%20Series%20Installation%20Guide(EN)%20H4814J-R.pdf).
 P Series Installation Guide H4814C-R. es.co.th. [online pdf] 14 pgs. Copyright 2005. [Retrieved on Oct. 4, 2018] <http://www.es.co.th/schemetic/pdf/P-SSERIES.pdf>.
 XBA Quick Start Guide H6486C-R. ictgroup.com. [online pdf] 19 pgs. Copyright 2013. [Retrieved on Oct. 4, 2018] [http://www.ictgroup.com.tw/download/Installation%20Guide/XBA%20Quick%20Start%20Guide\(EN\)%20H6486C-R.pdf](http://www.ictgroup.com.tw/download/Installation%20Guide/XBA%20Quick%20Start%20Guide(EN)%20H6486C-R.pdf).
 Bill Acceptors ICT and Pyramid, www.reelgaming.com. [online] 3 pgs. Uploaded/Posted as early as Apr. 5, 2013. [Retrieved on Oct. 9, 2018] <https://web.archive.org/web/20130405060931/http://www.reelgaming.com/gaming-products/bill-acceptors/>.
 ICT V638-FOM-USD4-T2- 800 Note. suzohapp.com. [online] 4 pgs. Available as early as 2012 and 2014 per reviews. [Retrieved on Oct. 9, 2018] https://na.suzohapp.com/products/bill_validators/42-0001-00.

* cited by examiner

Primary Examiner — Marie D. Fast Horse
 (74) *Attorney, Agent, or Firm* — Muncy, Geissler, Olds & Lowe, P.C.

(57) **CLAIM**

I claim the ornamental design for a bill acceptor, as shown and described.

DESCRIPTION

FIG. 1 is a top front perspective view of a bill acceptor showing my design;
 FIG. 2 is a front view thereof;
 FIG. 3 is a rear view thereof;
 FIG. 4 is a left side view thereof;
 FIG. 5 is a right side view thereof;
 FIG. 6 is a top view thereof;
 FIG. 7 is a bottom view thereof;
 FIG. 8 is a rear, bottom perspective view thereof; and,
 FIG. 9 is a rear, top perspective view thereof.

The broken lines in the drawings depict portions of the bill acceptor that form no part of the claimed design.

1 Claim, 9 Drawing Sheets

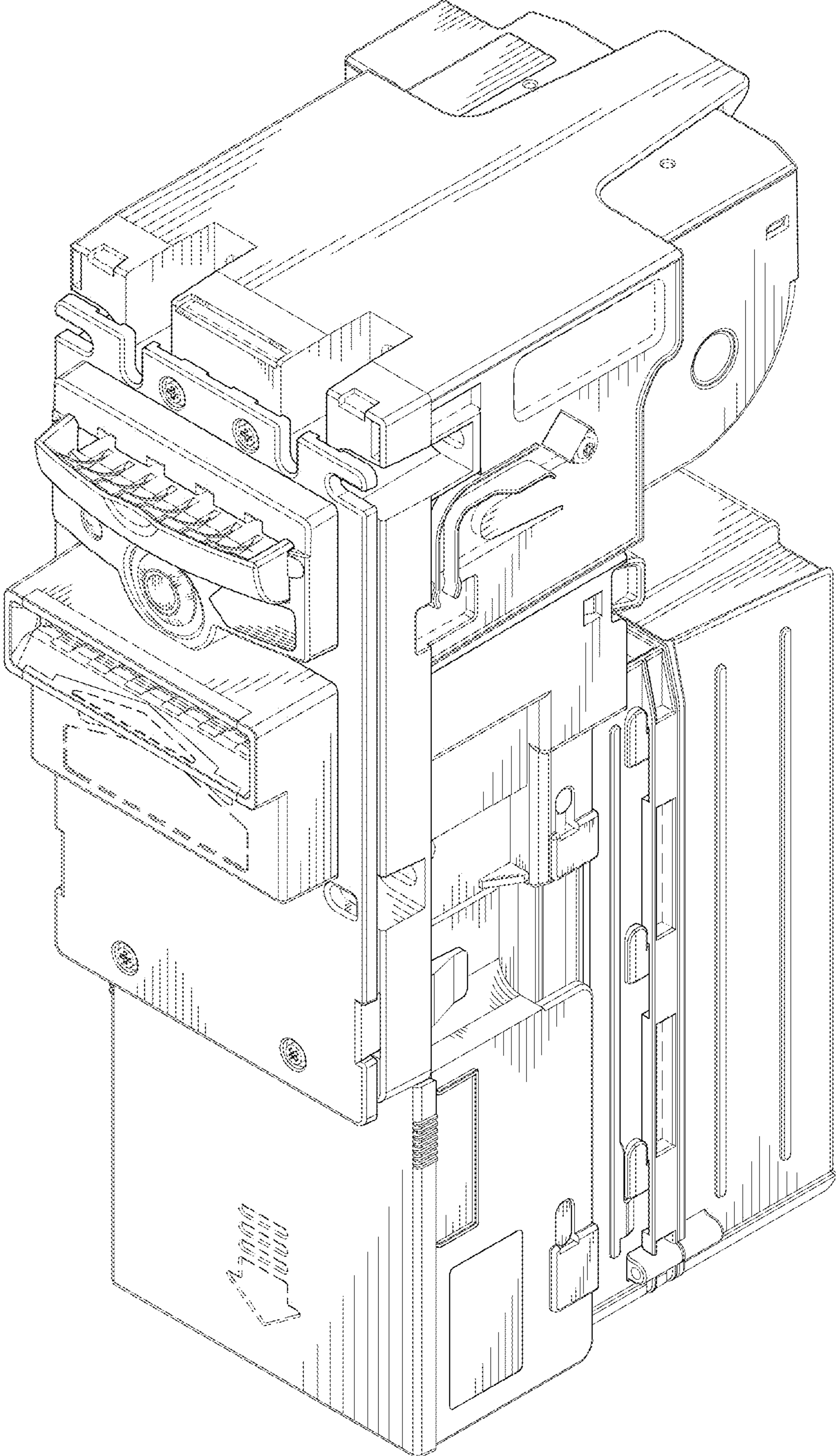


FIG. 1

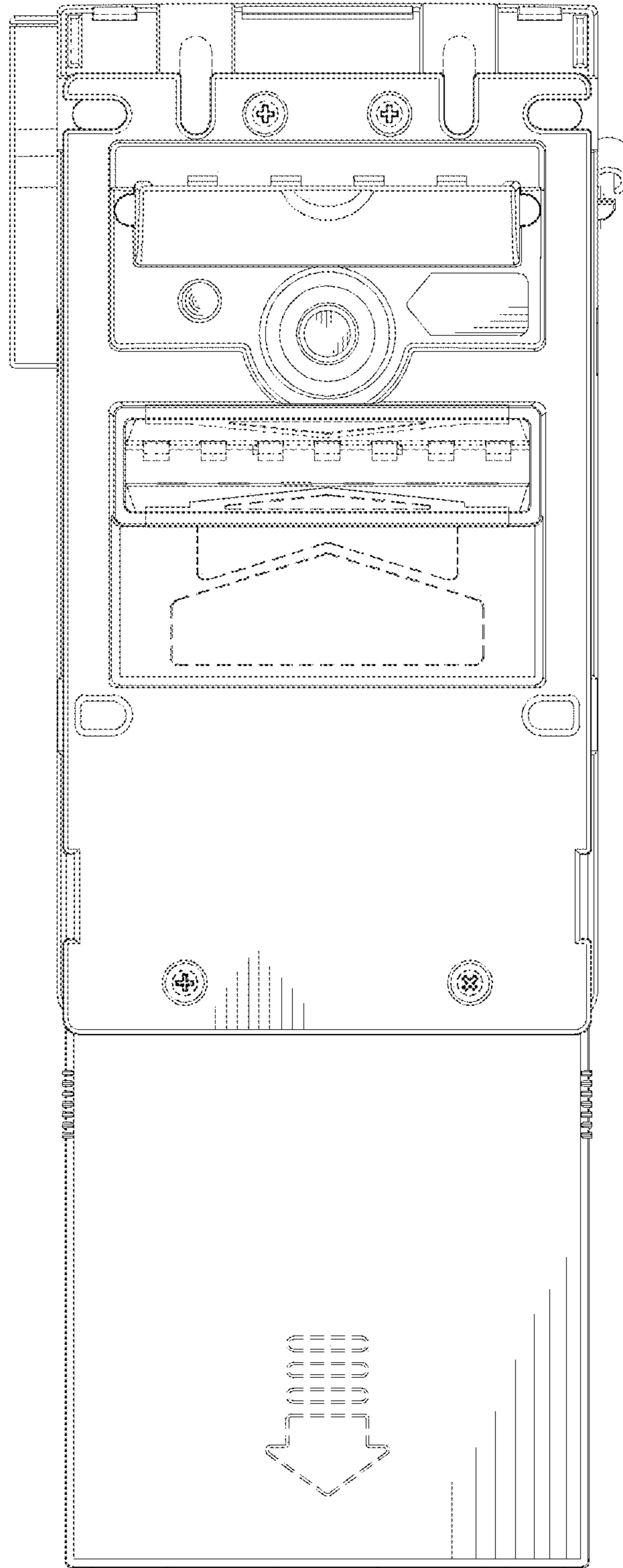


FIG. 2

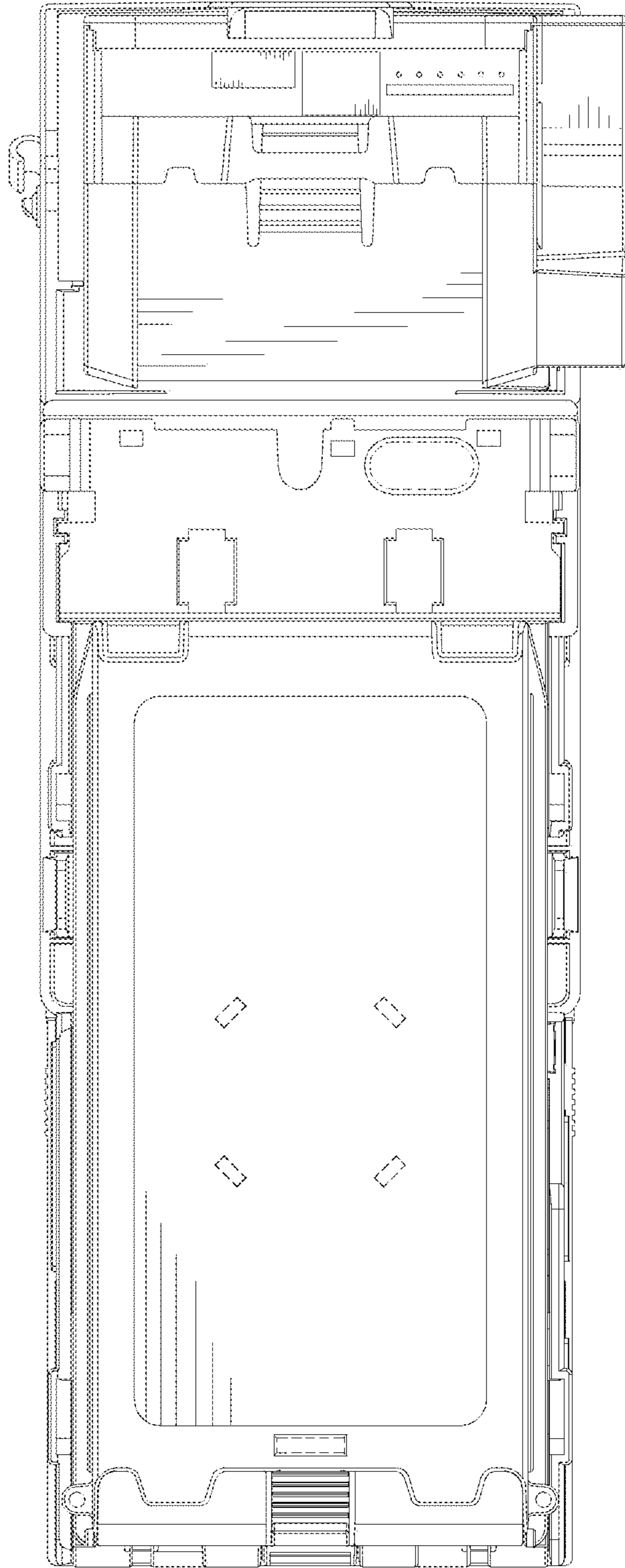


FIG. 3

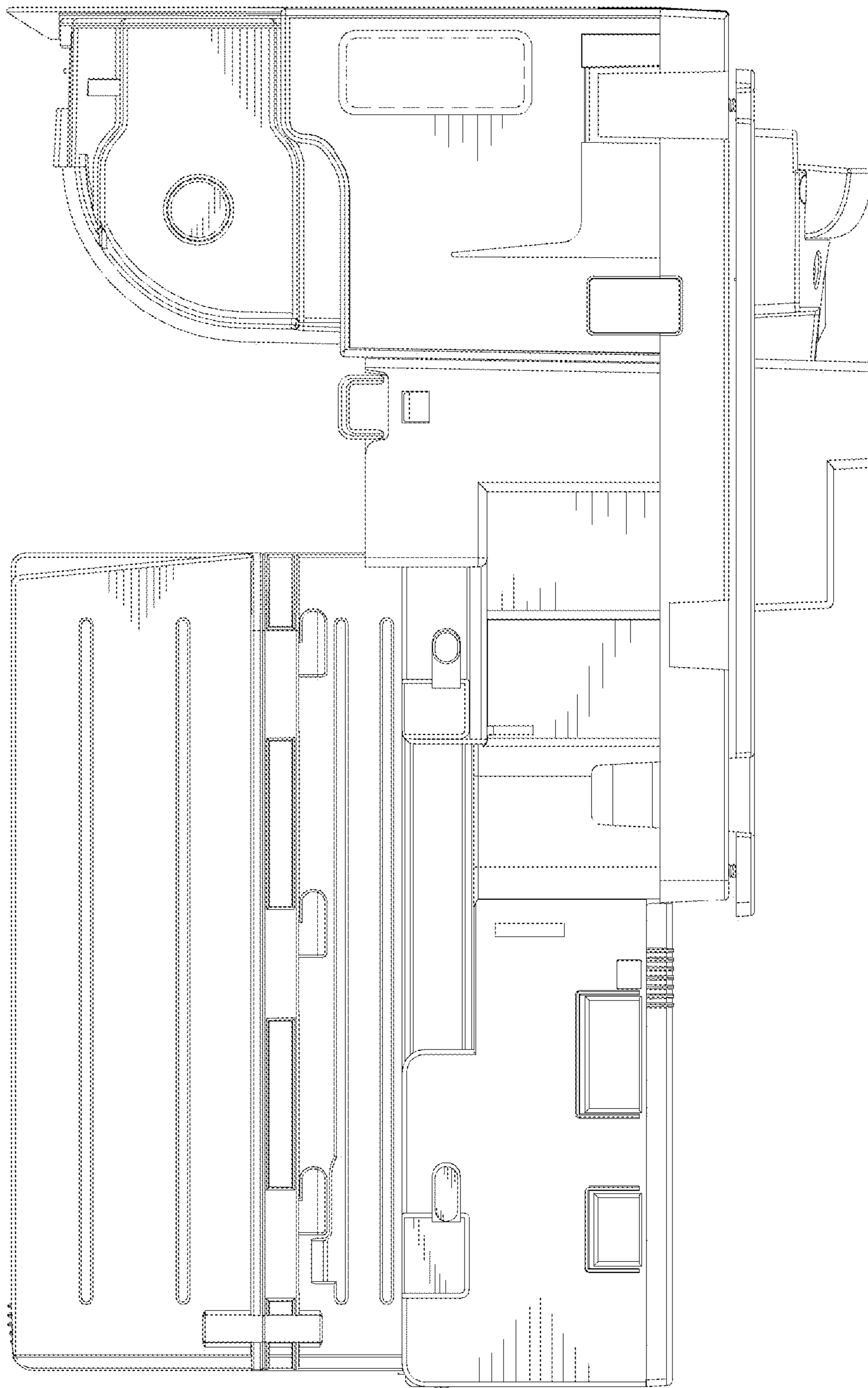


FIG. 4

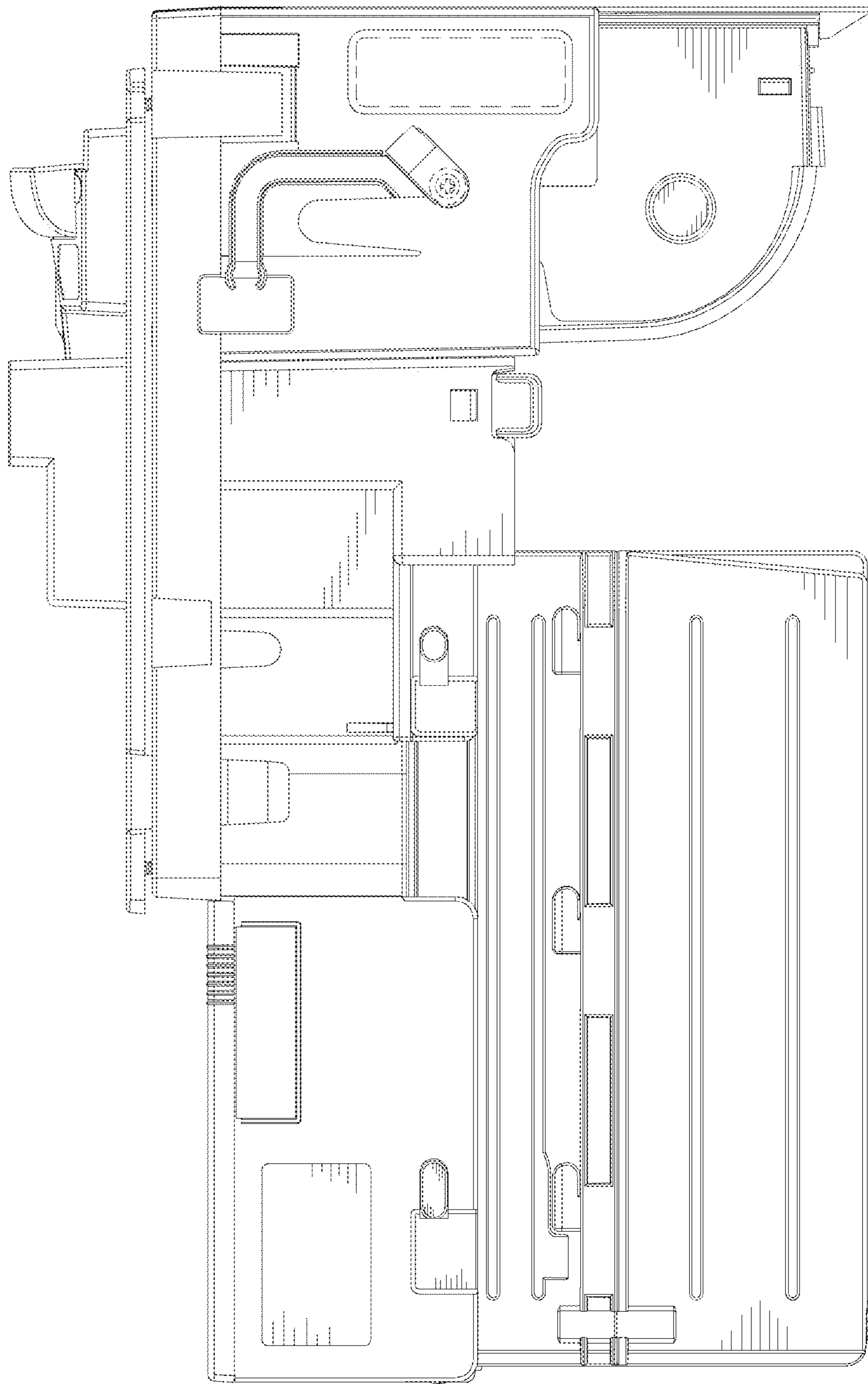


FIG. 5

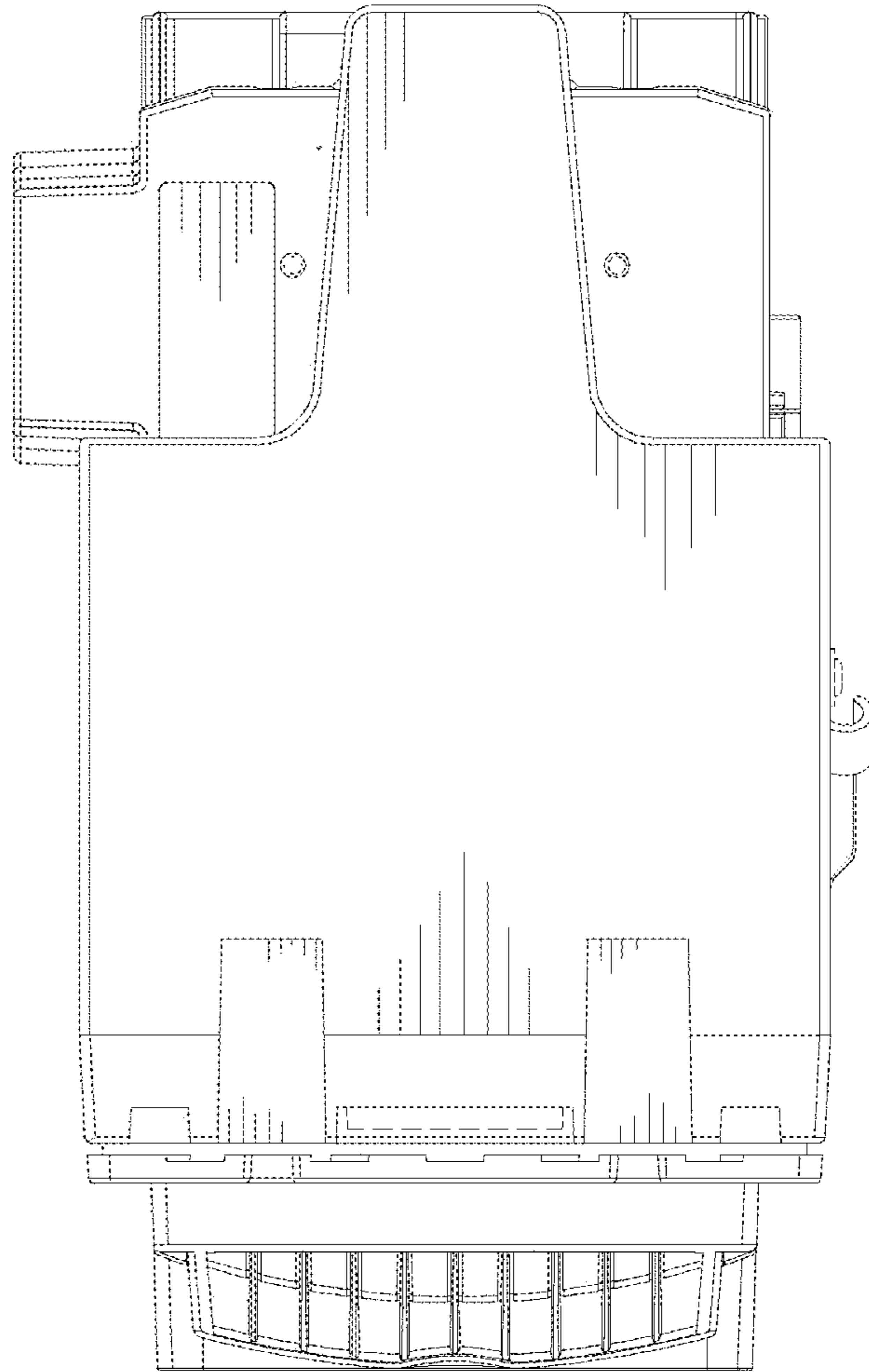


FIG. 6

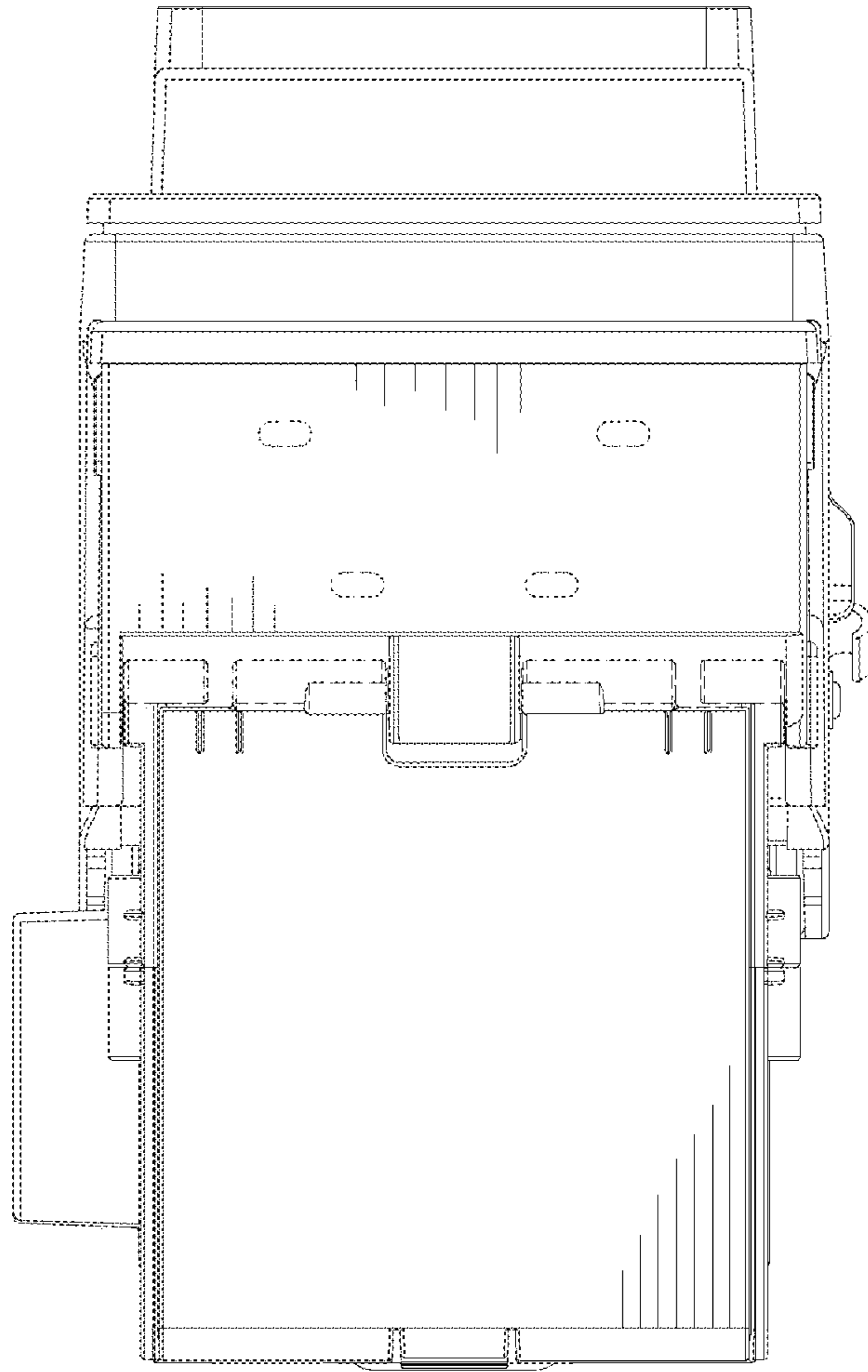


FIG. 7

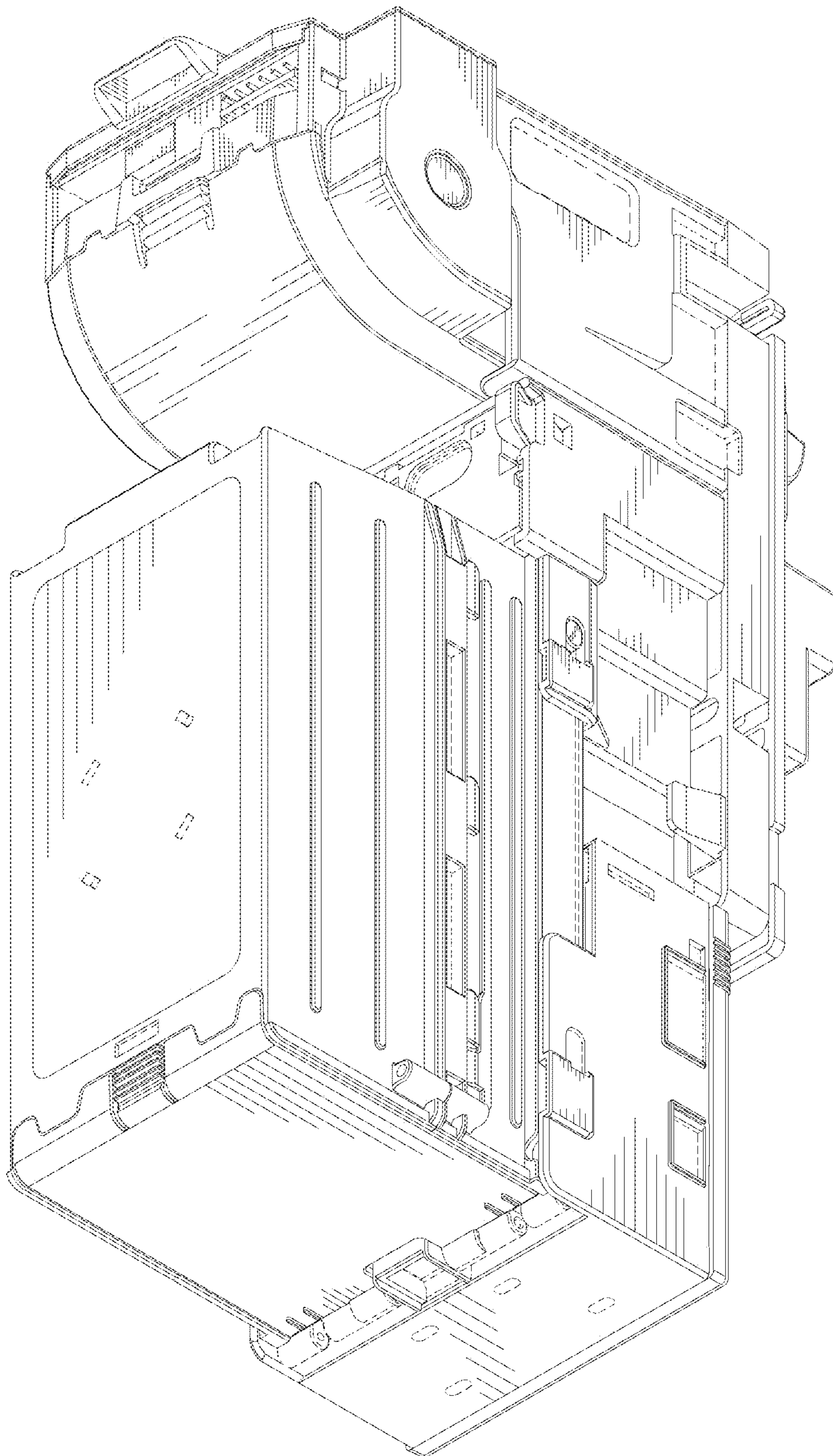


FIG. 8

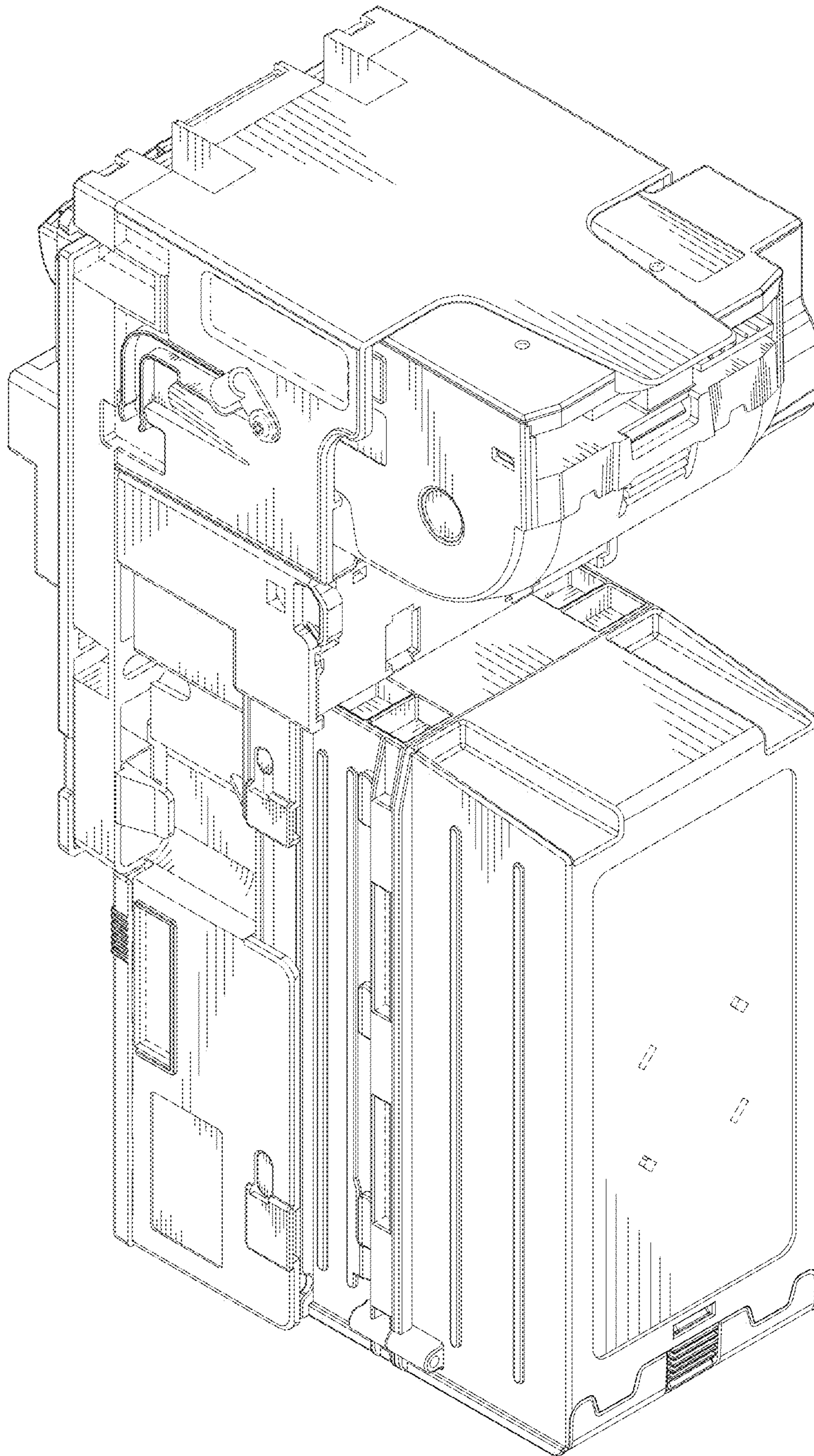


FIG. 9