



US00D934950S

(12) **United States Design Patent** (10) **Patent No.:** **US D934,950 S**
Jia (45) **Date of Patent:** **** Nov. 2, 2021**

(54) **PAINT PEN**
(71) Applicant: **NINGBO ZHENGYA STATIONERY CO., LTD**, Ningbo (CN)
(72) Inventor: **Mingsheng Jia**, Ningbo (CN)
(**) Term: **15 Years**
(21) Appl. No.: **29/712,800**
(22) Filed: **Nov. 12, 2019**
(51) **LOC (13) Cl.** **19-06**
(52) **U.S. Cl.**
USPC **D19/165**
(58) **Field of Classification Search**
USPC D19/115-204; D14/411
CPC . B43K 5/005; B43K 7/12; B43K 8/04; B43K 8/06; B43K 21/006; B43K 21/06
See application file for complete search history.

9,554,635 B1 * 1/2017 Liu B43K 8/06
D845,266 S * 4/2019 Zhong D14/188
D846,546 S * 4/2019 Mitchell D14/411
D882,684 S * 4/2020 King D19/164
D895,013 S * 9/2020 Cossins D19/187
D911,442 S * 2/2021 You D19/169
10,921,909 B2 * 2/2021 Ushiku B43K 24/08
D912,143 S * 3/2021 Kopp D19/163

OTHER PUBLICATIONS

Zeyar Acrylic Paint Pens 12 Metallic Colors Dual Tips Extra Fine Point, Item Model No. ZP1229-12M, Manufacturer Part No. ZP, Producer: Ningbo Zhengya Stationery Co, Ltd, online on zeyar.com, Audit Date From: Dec. 24, 2019.*
Zeyar, Metallic Paint Pens, online on Alibaba.com, Ningbo Zhengya Stationery Co, 2916.*
Zeyar brand ZP1191 Highlighter, Dual Tips, Manufacturer: Ningbo Zhengya Stationery Co., online on Alibaba.com, 2016.*

* cited by examiner

Primary Examiner — Elizabeth A. Albert
(74) *Attorney, Agent, or Firm* — W&K IP

(56) **References Cited**

U.S. PATENT DOCUMENTS

D271,212 S * 11/1983 Itoh D19/165
4,600,327 A * 7/1986 Guzman B43K 29/05
401/129
D286,163 S * 10/1986 Shintani D19/117
D306,316 S * 2/1990 Shintani D19/117
D313,245 S * 12/1990 Iwase D19/169
D321,717 S * 11/1991 Hager D19/123
D369,183 S * 4/1996 Yoshida D19/163
D448,407 S * 9/2001 Huang D19/169
D540,864 S * 4/2007 Kato D19/166
D575,336 S * 8/2008 Qiu D19/163
D601,191 S * 9/2009 Hung D19/117
D601,627 S * 10/2009 Liu D19/169
D602,086 S * 10/2009 Liu D19/169
7,654,762 B2 * 2/2010 Carlino A45D 33/26
401/19
D622,767 S * 8/2010 Liu D19/169
D668,291 S * 10/2012 Chen D19/163
D754,661 S * 4/2016 Nishizawa D14/411

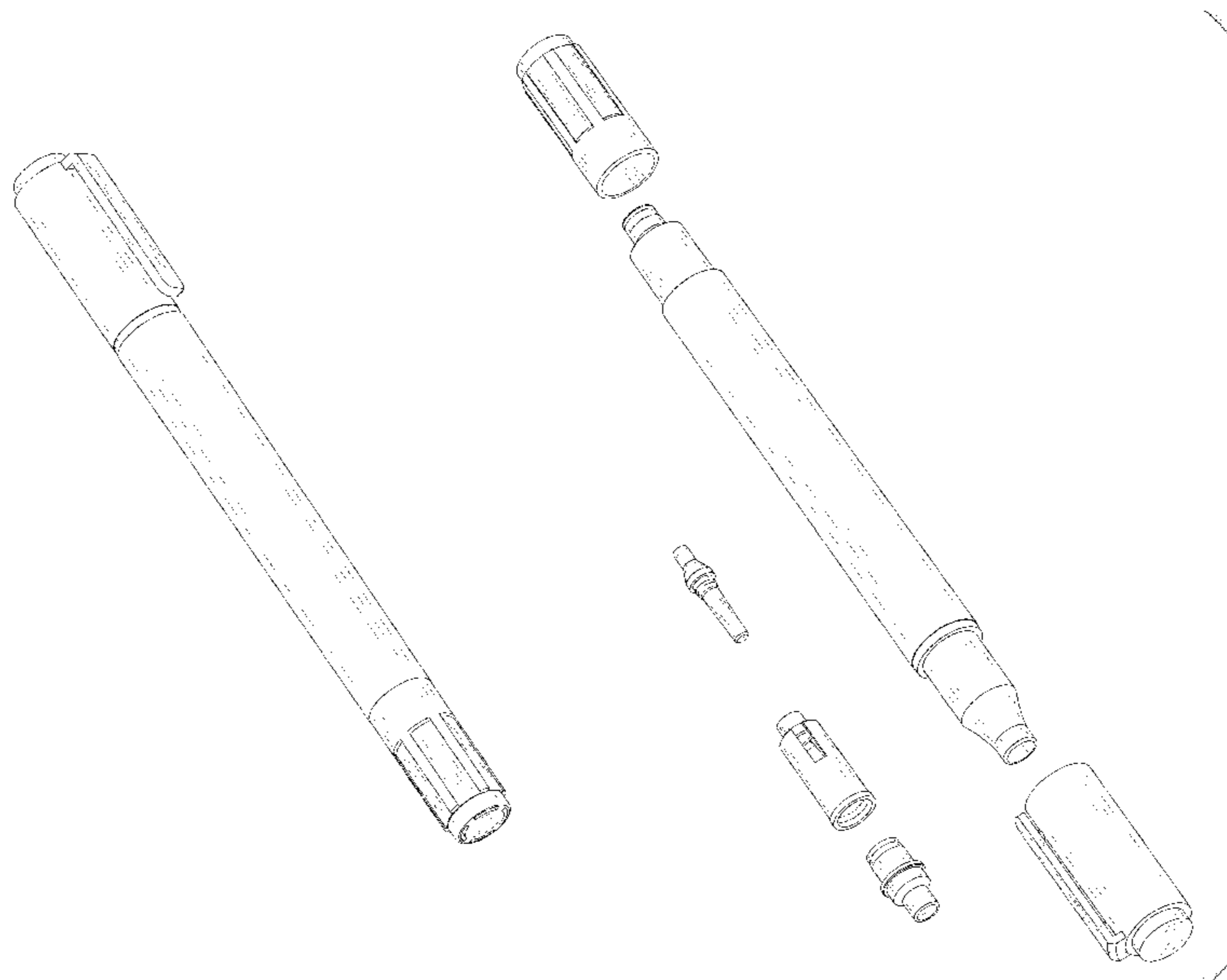
(57) **CLAIM**

The ornamental design for a paint pen, as shown and described.

DESCRIPTION

FIG. 1 is a perspective view of a paint pen showing my new design;
FIG. 2 is a front elevational view thereof;
FIG. 3 is a rear elevational view thereof;
FIG. 4 is a left elevational view thereof;
FIG. 5 is a right elevational view thereof;
FIG. 6 is a top plan view thereof;
FIG. 7 is a bottom plan view thereof; and,
FIG. 8 is a exploded view thereof.

1 Claim, 8 Drawing Sheets



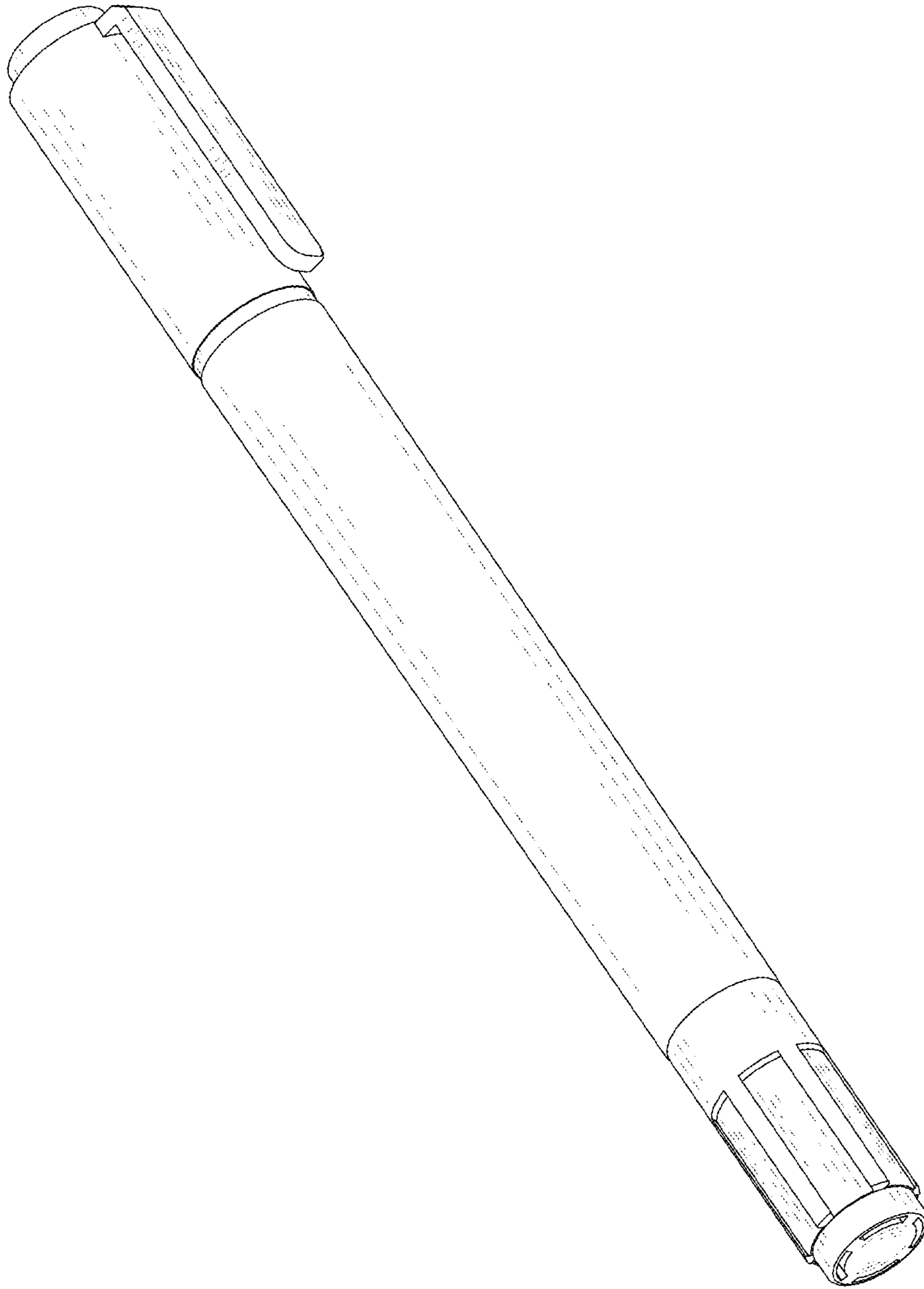


FIG.1

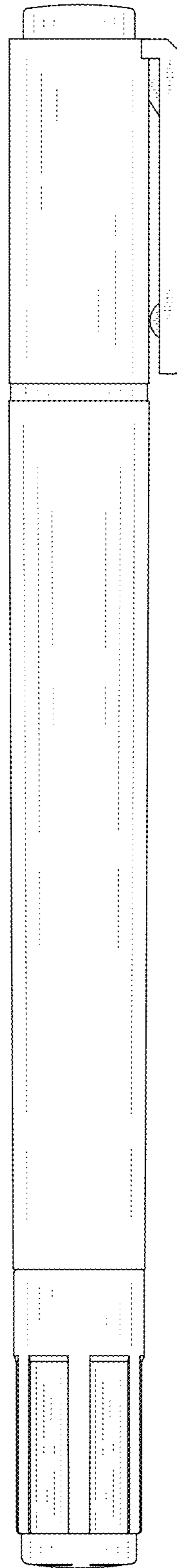


FIG. 2

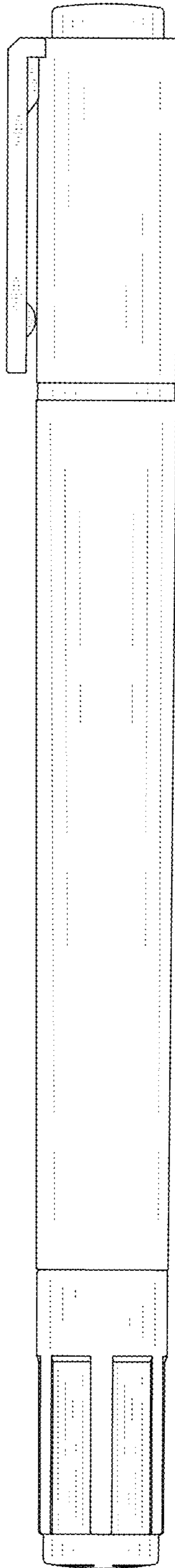


FIG. 3

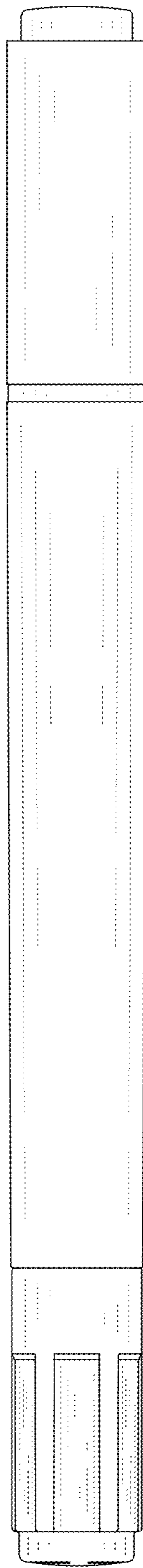


FIG. 4

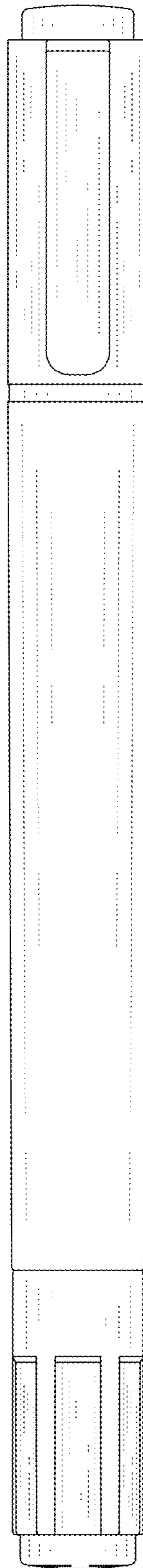


FIG. 5

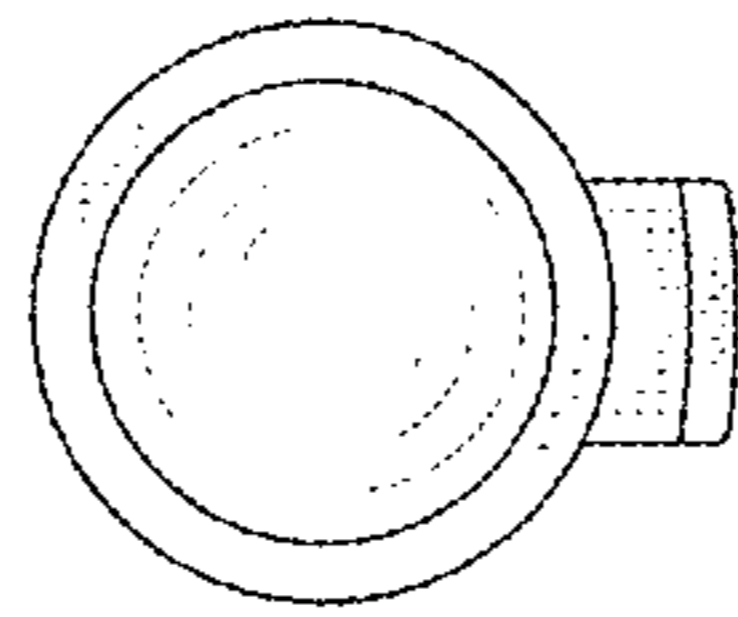


FIG. 6

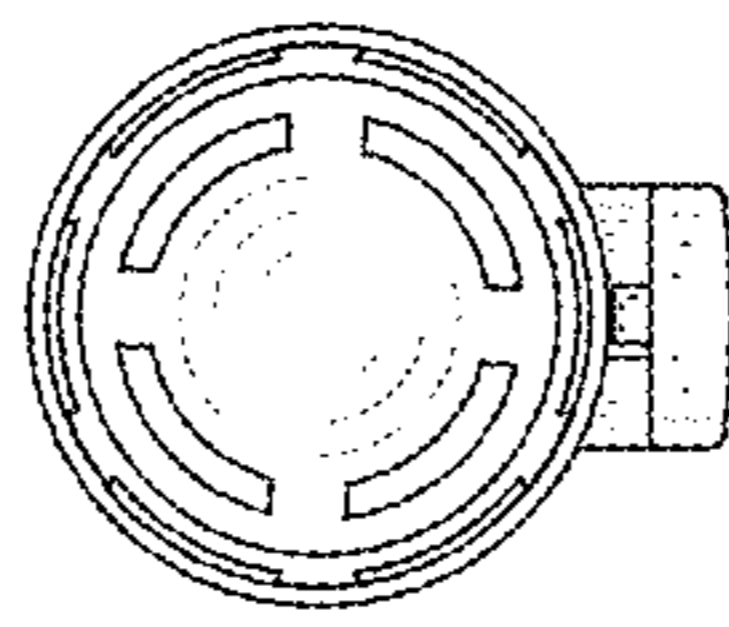


FIG. 7

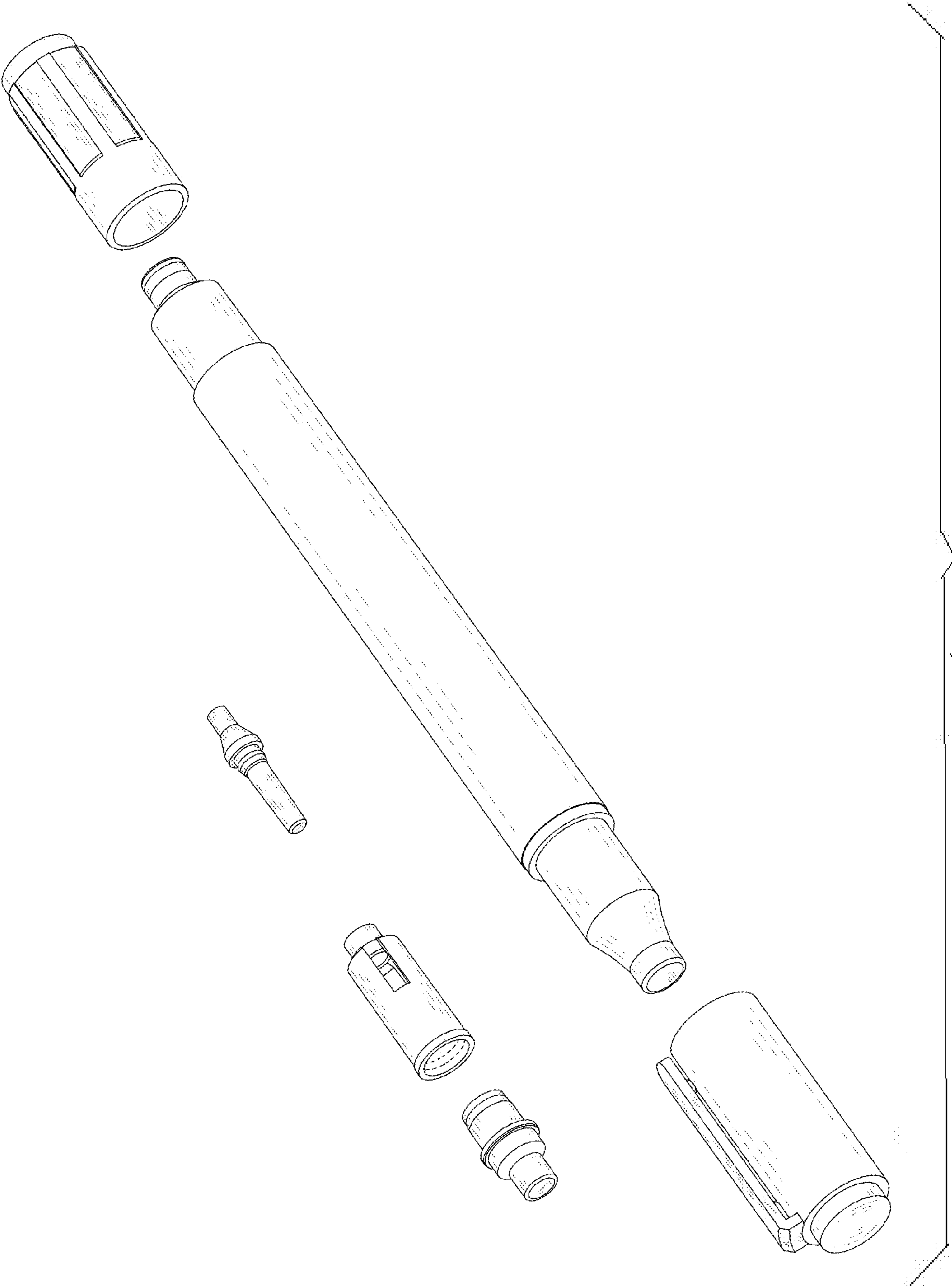


FIG. 8