



US00D934945S

(12) **United States Design Patent**
Wu et al.

(10) **Patent No.:** **US D934,945 S**

(45) **Date of Patent:** **** Nov. 2, 2021**

(54) **FRAME FOR FIXING CAMERA**

(71) Applicant: **Shenzhen Leqi Network Technology Co., Ltd, Shenzhen (CN)**

(72) Inventors: **Yating Wu, Shenzhen (CN); Xingxing Yuan, Shenzhen (CN)**

(73) Assignee: **Shenzhen Leqi Network Technology Co., Ltd, Shenzhen (CN)**

(**) Term: **15 Years**

(21) Appl. No.: **29/688,742**

(22) Filed: **Apr. 24, 2019**

(30) **Foreign Application Priority Data**

Nov. 19, 2018 (CN) 201821920273.8

(51) **LOC (13) Cl.** **16-05**

(52) **U.S. Cl.**
USPC **D16/237**

(58) **Field of Classification Search**
USPC D16/219, 237-250; D8/354, 355, 363, D8/373, 382-383, 394-396; D14/224, D14/229, 238, 251, 253, 447, 451, 457
CPC F16M 11/06-10; F16M 11/14; G02B 7/00-002; G03B 17/56; G03B 17/561-566; H04N 5/2253-2254
See application file for complete search history.

(56) **References Cited**

U.S. PATENT DOCUMENTS

- 7,090,416 B2 * 8/2006 Mootz G03B 17/563 396/421
- D539,128 S * 3/2007 Ly Hau D8/373
- D649,576 S * 11/2011 Jannard D16/242
- D763,941 S * 8/2016 Smith D16/200
- D768,752 S * 10/2016 Silver D16/237
- D785,696 S * 5/2017 Parfitt D16/242
- 9,904,147 B2 * 2/2018 Zhao F16M 13/022
- D880,567 S * 4/2020 Zhang D16/237

- D908,778 S * 1/2021 Xu D16/242
- 2007/0071423 A1 * 3/2007 Fantone G03B 17/08 396/27
- 2014/0037278 A1 * 2/2014 Wang H04N 5/2328 396/55
- 2016/0201847 A1 * 7/2016 Firchau F16M 11/24 224/567

OTHER PUBLICATIONS

SmallRig Camera Cage Kit for Sony A7RIII_A7III. [online] Retrieved Sep. 18, 2020 from URL: <https://www.focuscamera.com/smallrig-camera-cage-kit-for-sony-a7riii-a7iii.html>.*

* cited by examiner

Primary Examiner — Vy N Koenig

(74) *Attorney, Agent, or Firm* — Andrew C. Cheng

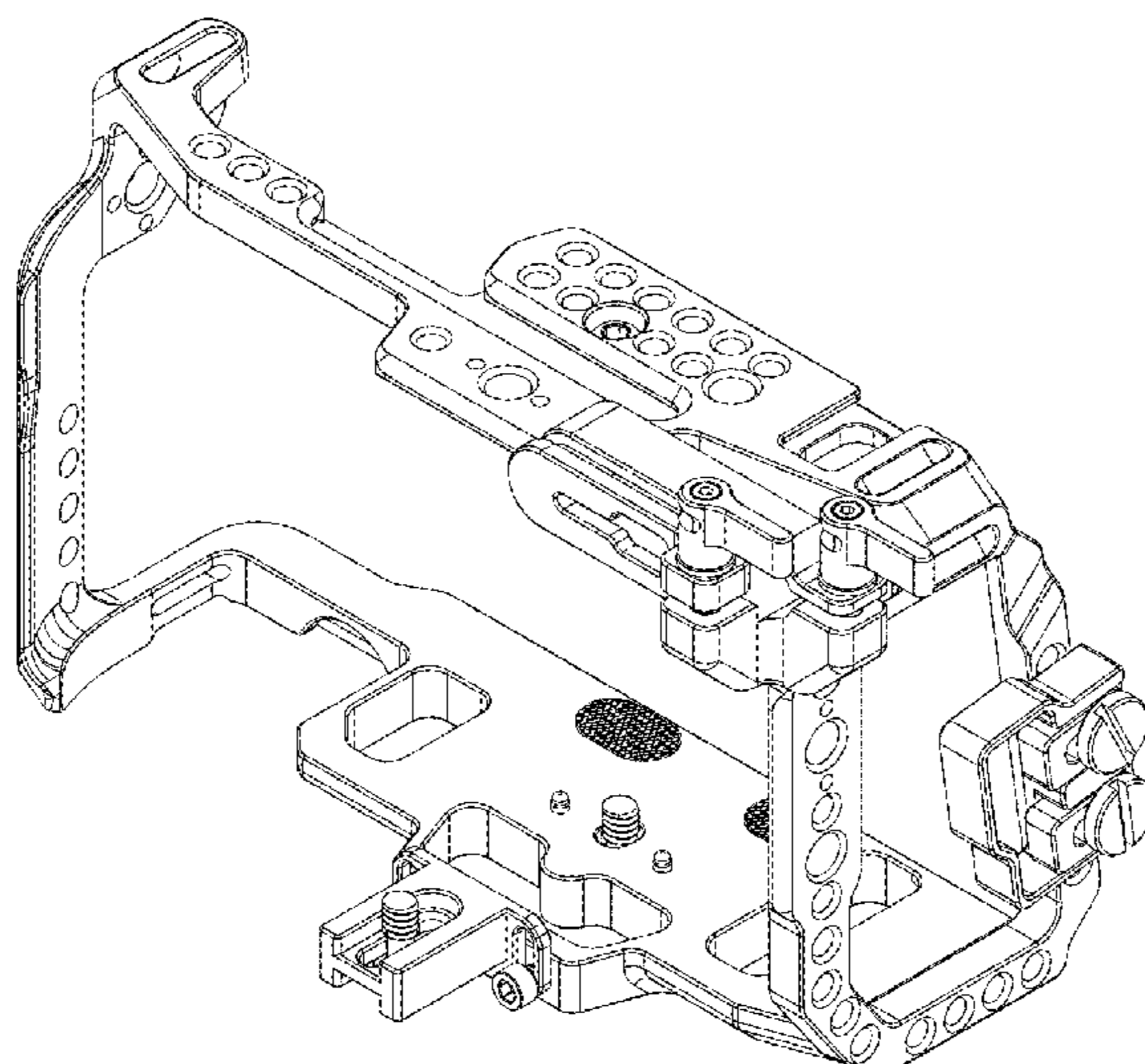
(57) **CLAIM**

The ornamental design for a frame for fixing camera, as shown and described.

DESCRIPTION

FIG. 1 is a front view of a frame for fixing camera according to the present design;
 FIG. 2 is a rear view of the frame for fixing camera of FIG. 1;
 FIG. 3 is a left view of the frame for fixing camera of FIG. 1;
 FIG. 4 is a right side view of the frame for fixing camera of FIG. 1;
 FIG. 5 is a top view of the frame for fixing camera of FIG. 1;
 FIG. 6 is a bottom view of the frame for fixing camera of FIG. 1; and,
 FIG. 7 is a perspective view of the frame for fixing camera of FIG. 1.
 The broken lines shown in the drawings depict features of the frame for fixing camera that form no part of the claimed design.

1 Claim, 4 Drawing Sheets



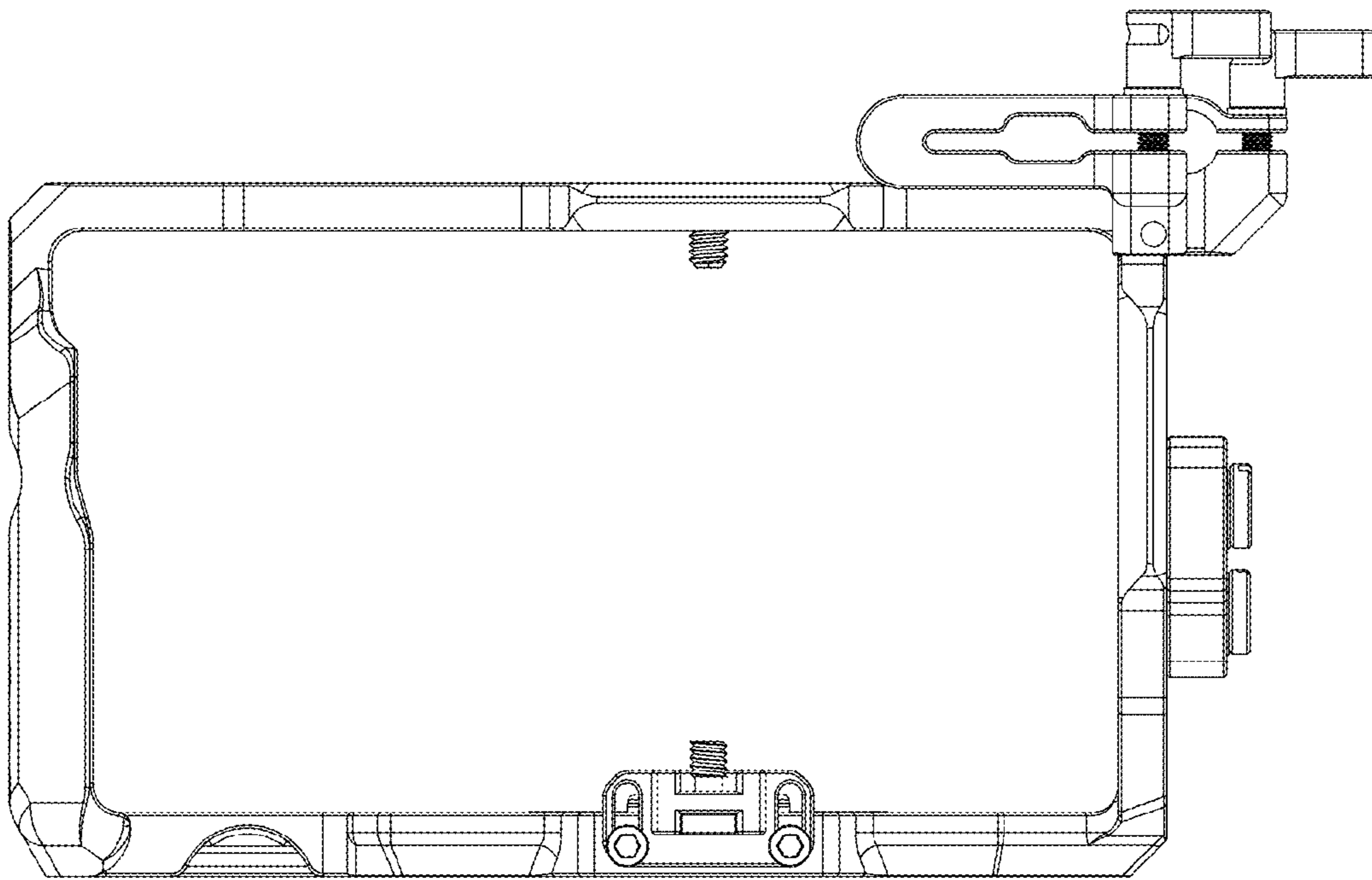


Fig. 1

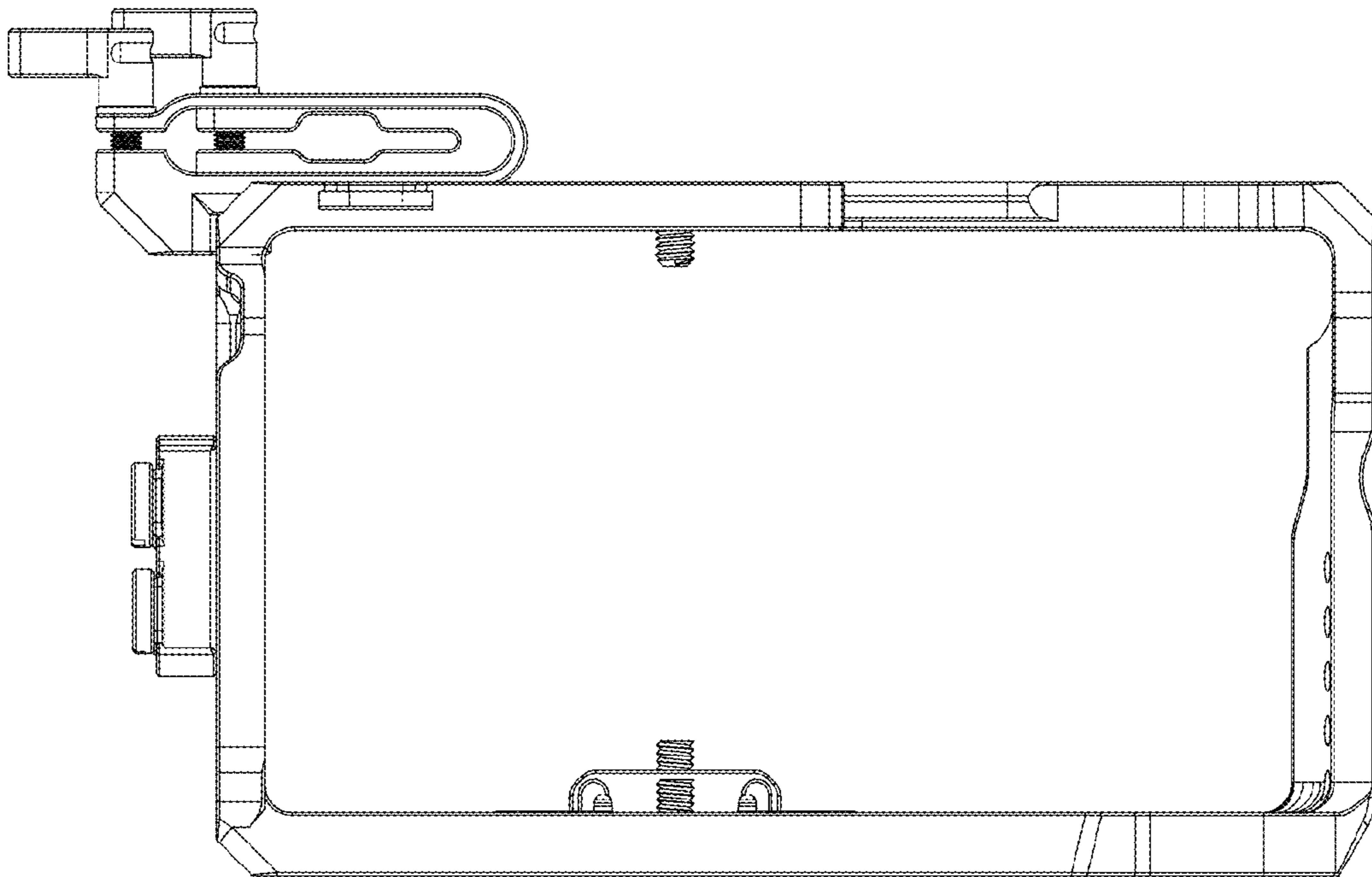


Fig. 2

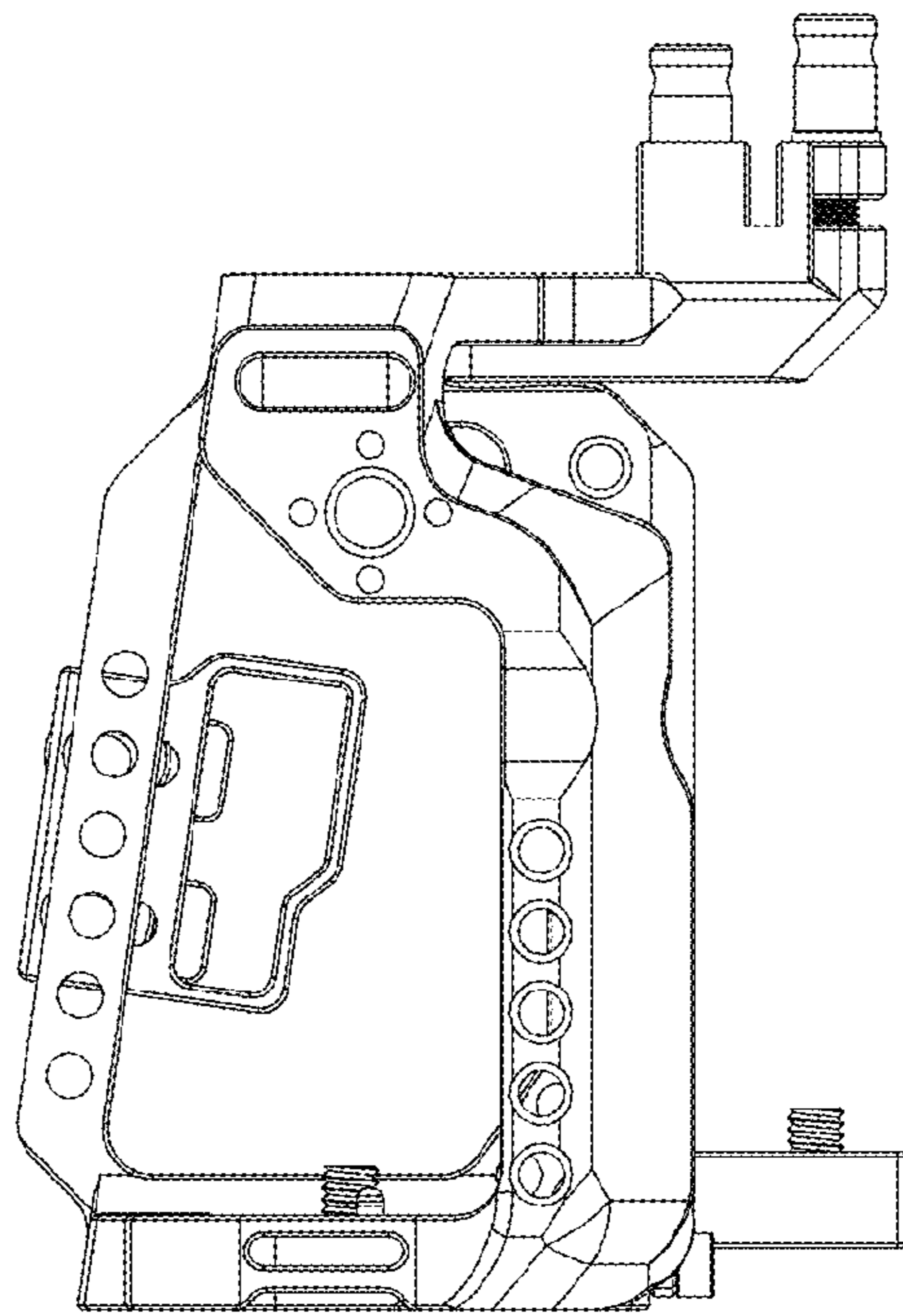


Fig. 3

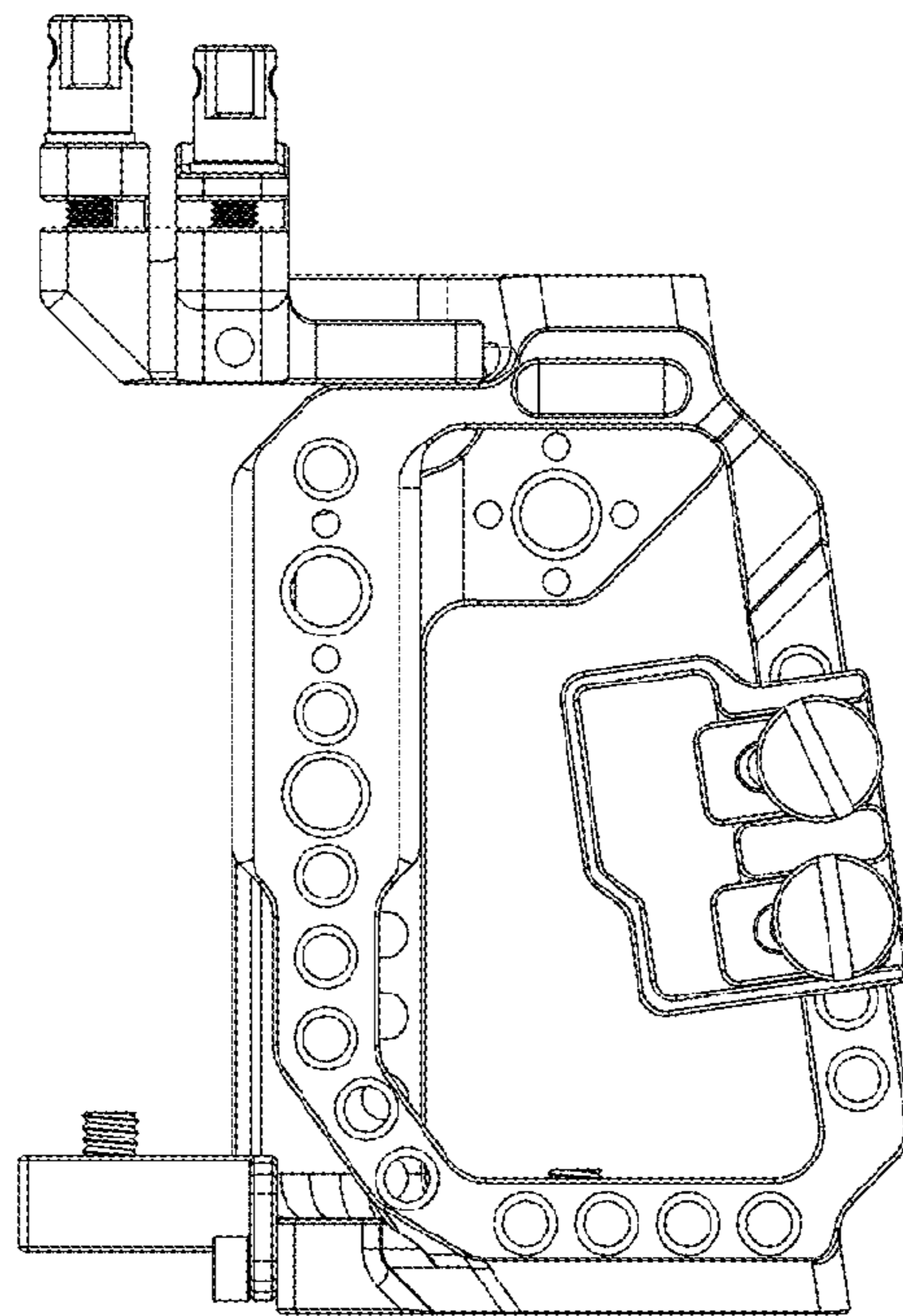


Fig. 4

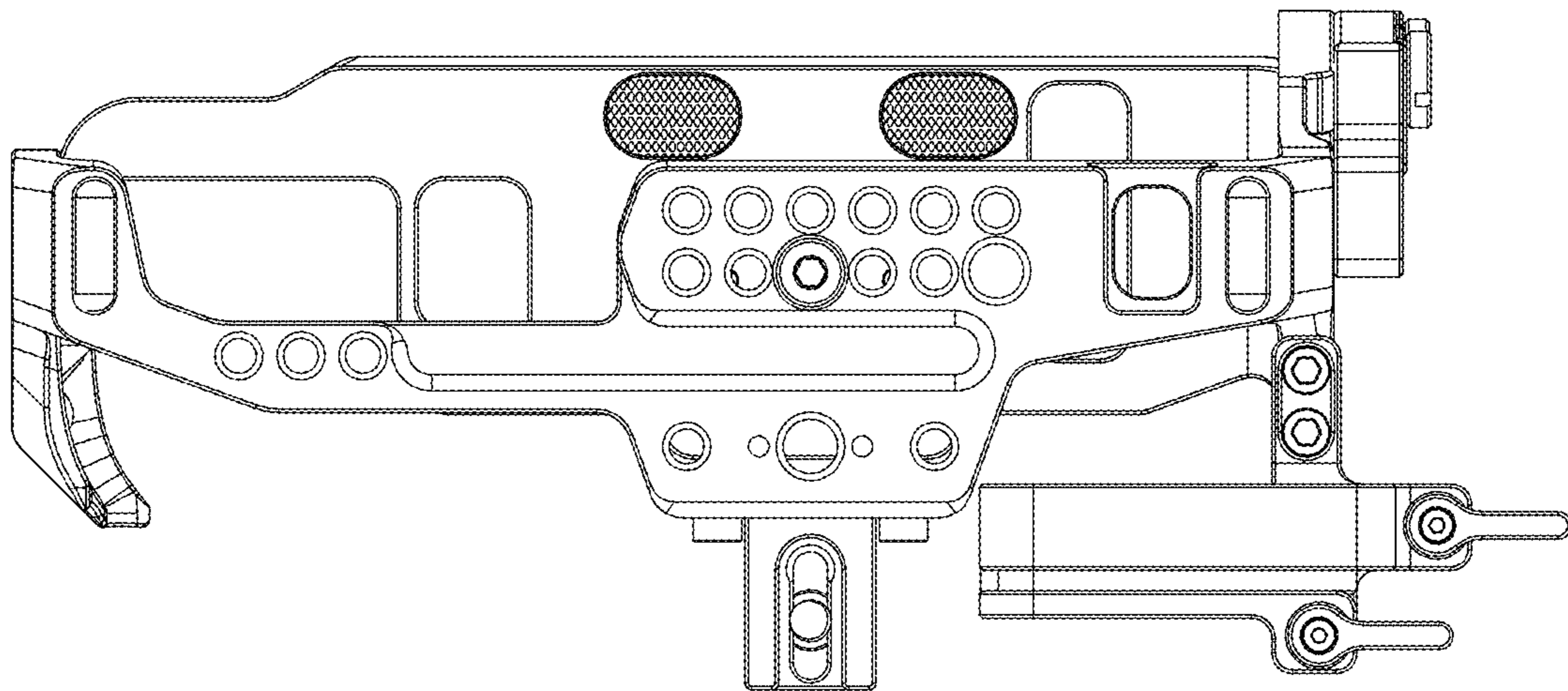


Fig. 5

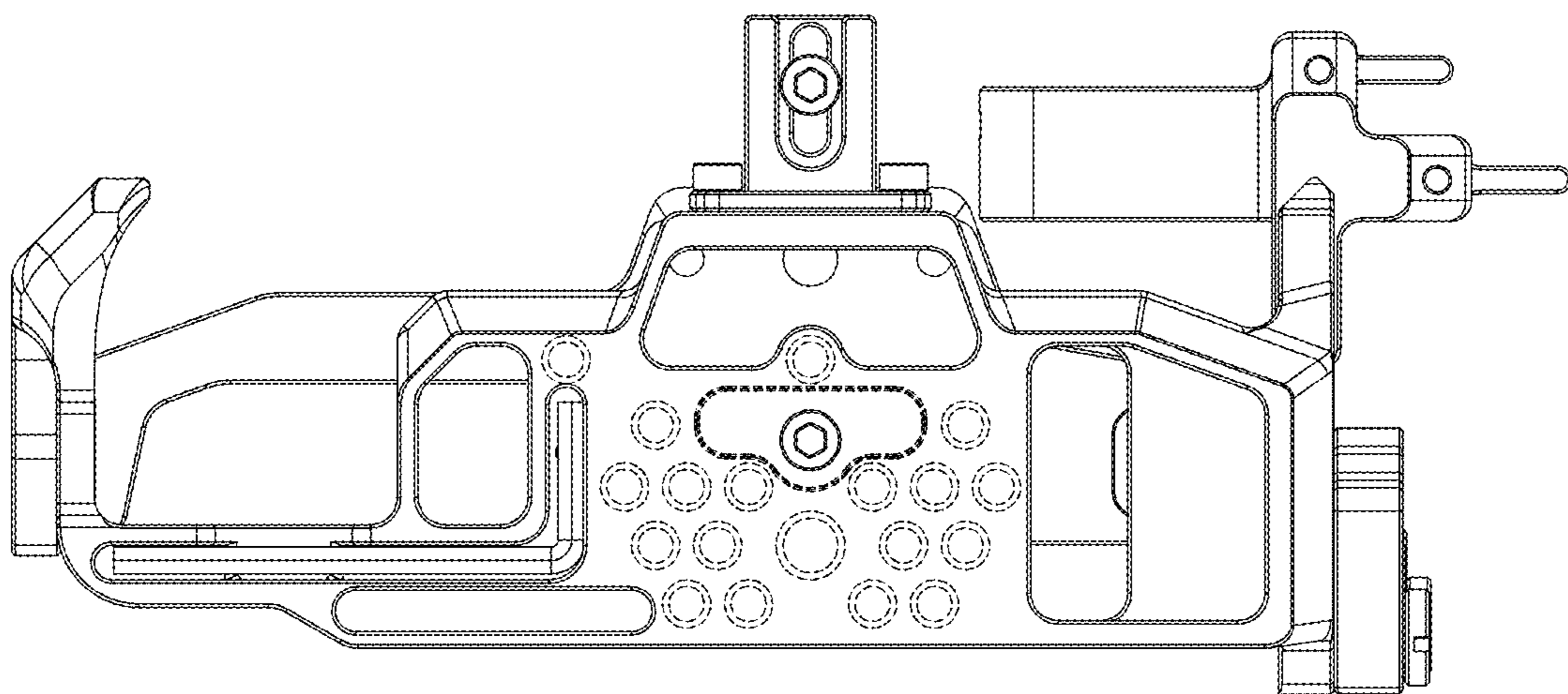


Fig. 6

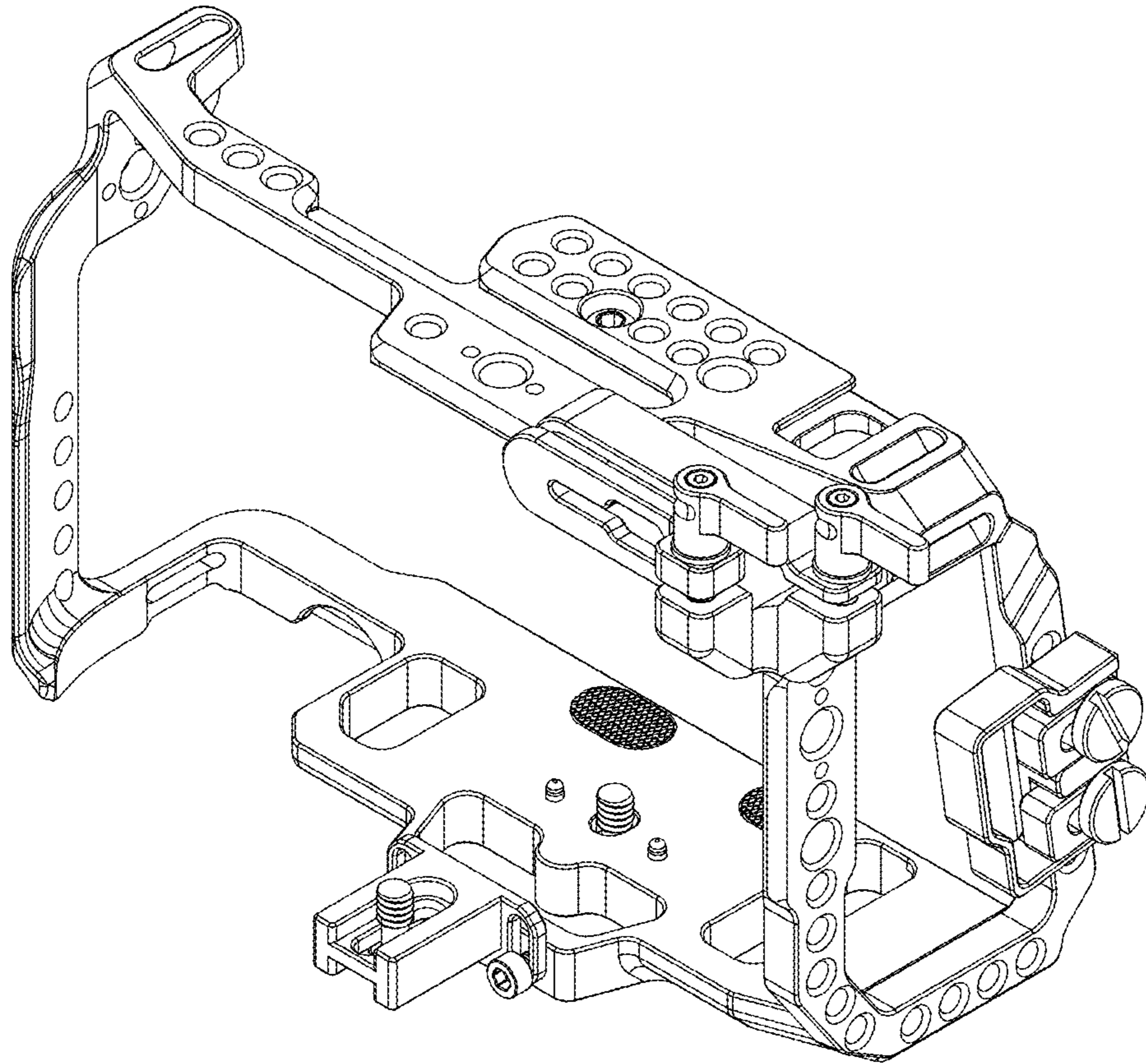


Fig. 7