



US00D934944S

(12) **United States Design Patent**  
**Huang**

(10) **Patent No.:** **US D934,944 S**

(45) **Date of Patent:** **\*\* Nov. 2, 2021**

(54) **PROJECTOR**

(71) Applicant: **SICHUAN COOLUX TECHNOLOGY CO., LTD**, Chengdu (CN)

(72) Inventor: **Zhigang Huang**, Chengdu (CN)

(73) Assignee: **SICHUAN COOLUX TECHNOLOGY CO., LTD**, Chengdu (CN)

(\*\*) Term: **15 Years**

(21) Appl. No.: **29/747,461**

(22) Filed: **Aug. 23, 2020**

(30) **Foreign Application Priority Data**

Mar. 24, 2020 (CN) ..... 202030102940.8

(51) **LOC (13) Cl.** ..... **16-02**

(52) **U.S. Cl.**  
USPC ..... **D16/234**

(58) **Field of Classification Search**  
USPC ..... D16/221, 225, 229–231, 234–235, 203, D16/208; D21/514; D14/134  
CPC .... G03B 21/145; G03B 21/142; G03B 21/14; G03B 21/16; G03B 21/00; G03B 21/001; G03B 21/003; G03B 21/12  
See application file for complete search history.

(56) **References Cited**

**U.S. PATENT DOCUMENTS**

8,955,979 B2\* 2/2015 Velazquez ..... G03B 21/14 353/31  
9,667,924 B2\* 5/2017 Mukai ..... G03B 21/145

D857,781 S \* 8/2019 Wang ..... D16/225  
D902,983 S \* 11/2020 Yin ..... D16/231  
D919,692 S \* 5/2021 Deng ..... D16/234  
D924,309 S \* 7/2021 Peng ..... D16/231  
D926,247 S \* 7/2021 Liang ..... D16/234  
2005/0041221 A1\* 2/2005 Buroni ..... G03B 21/16 353/119  
2018/0084921 A1\* 3/2018 Huang ..... G03B 21/145

**FOREIGN PATENT DOCUMENTS**

CN 306162746 \* 7/2020  
CN 306217716 \* 7/2020

\* cited by examiner

*Primary Examiner* — Wan Laymon

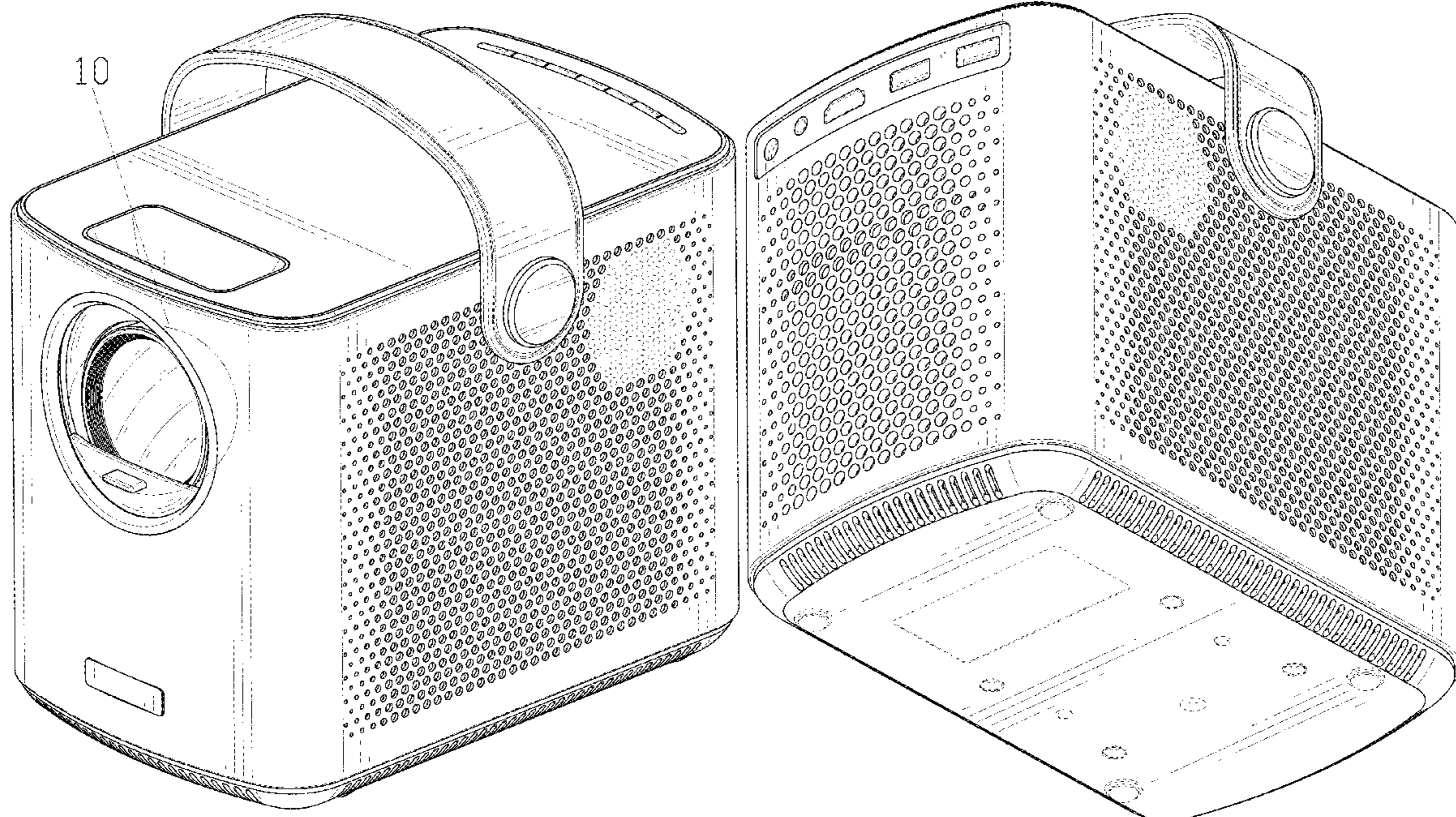
(57) **CLAIM**

The ornamental design for a projector, as shown and described.

**DESCRIPTION**

FIG. 1 is the first perspective view of a projector showing my new design;  
FIG. 2 is another perspective view thereof;  
FIG. 3 is another perspective view thereof;  
FIG. 4 is a front elevational view thereof;  
FIG. 5 is a rear elevational view thereof;  
FIG. 6 is a left side elevational view thereof;  
FIG. 7 is a right side elevational view thereof;  
FIG. 8 is a top plan view thereof;  
FIG. 9 is a bottom plan view thereof; and,  
FIG. 10 is an enlarged view of portion 10 shown in FIG. 1.  
The broken lines in the drawings depict portions of the projector that form no part of the claimed design.

**1 Claim, 10 Drawing Sheets**





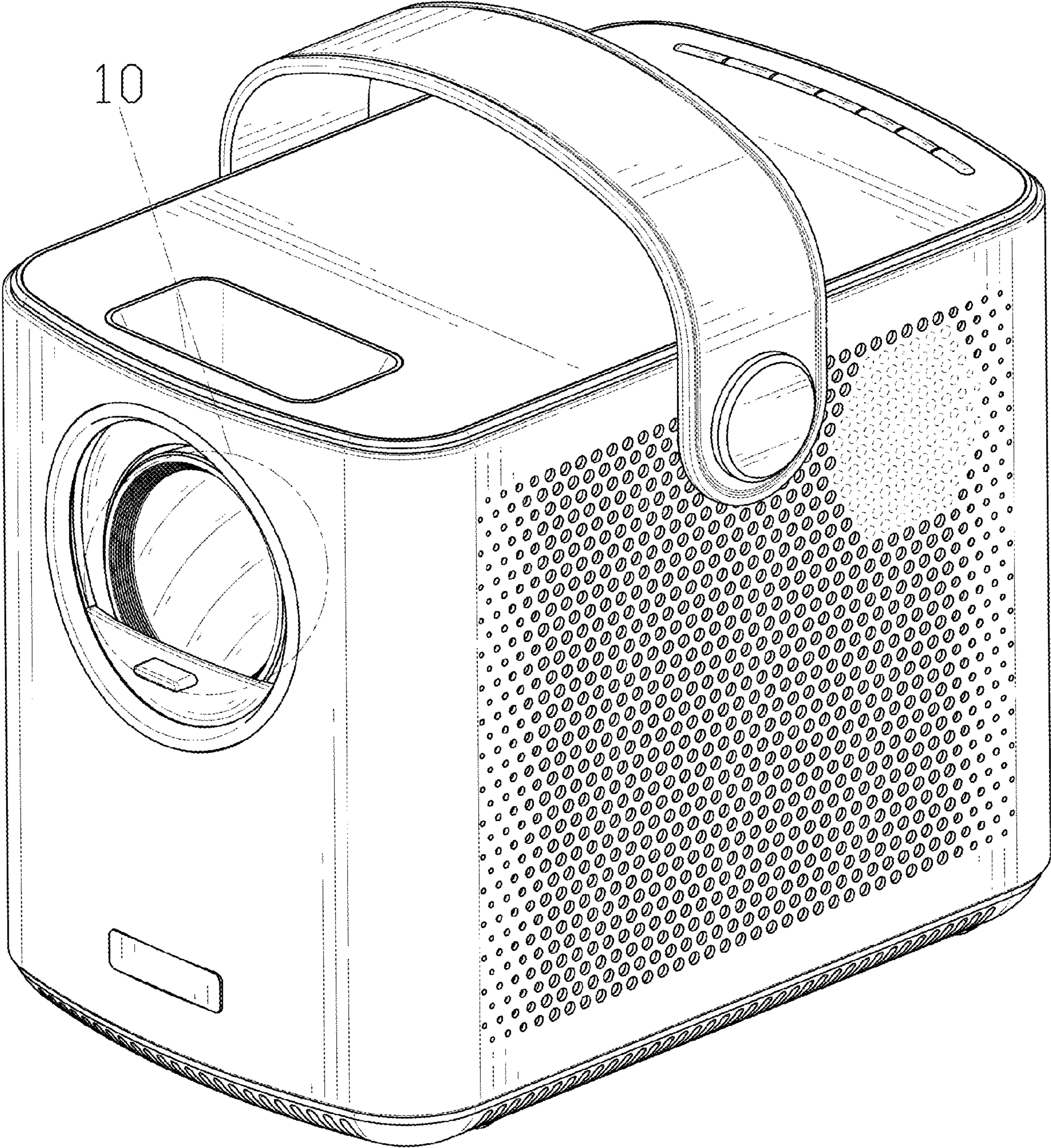


FIG. 1



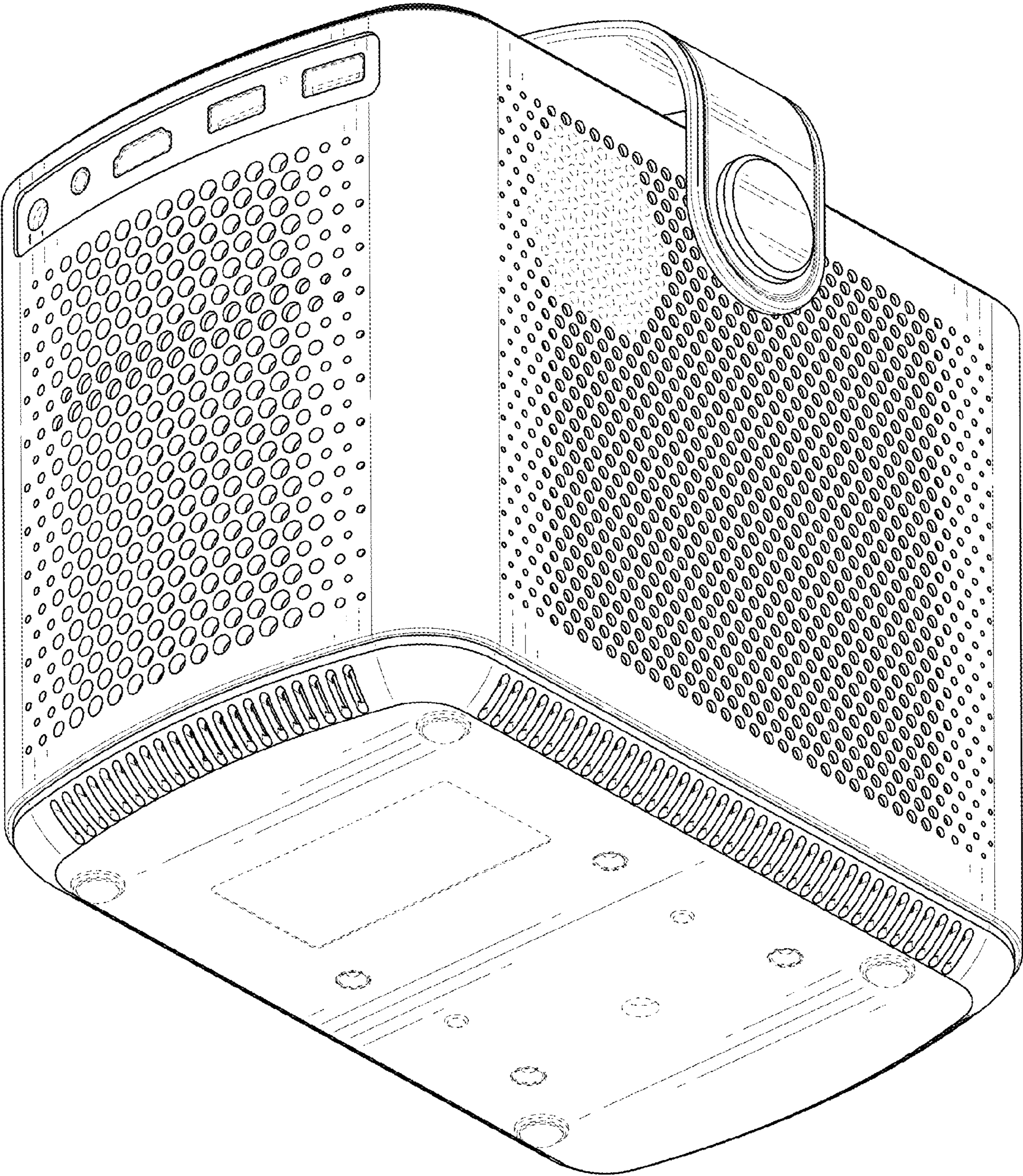


FIG. 2



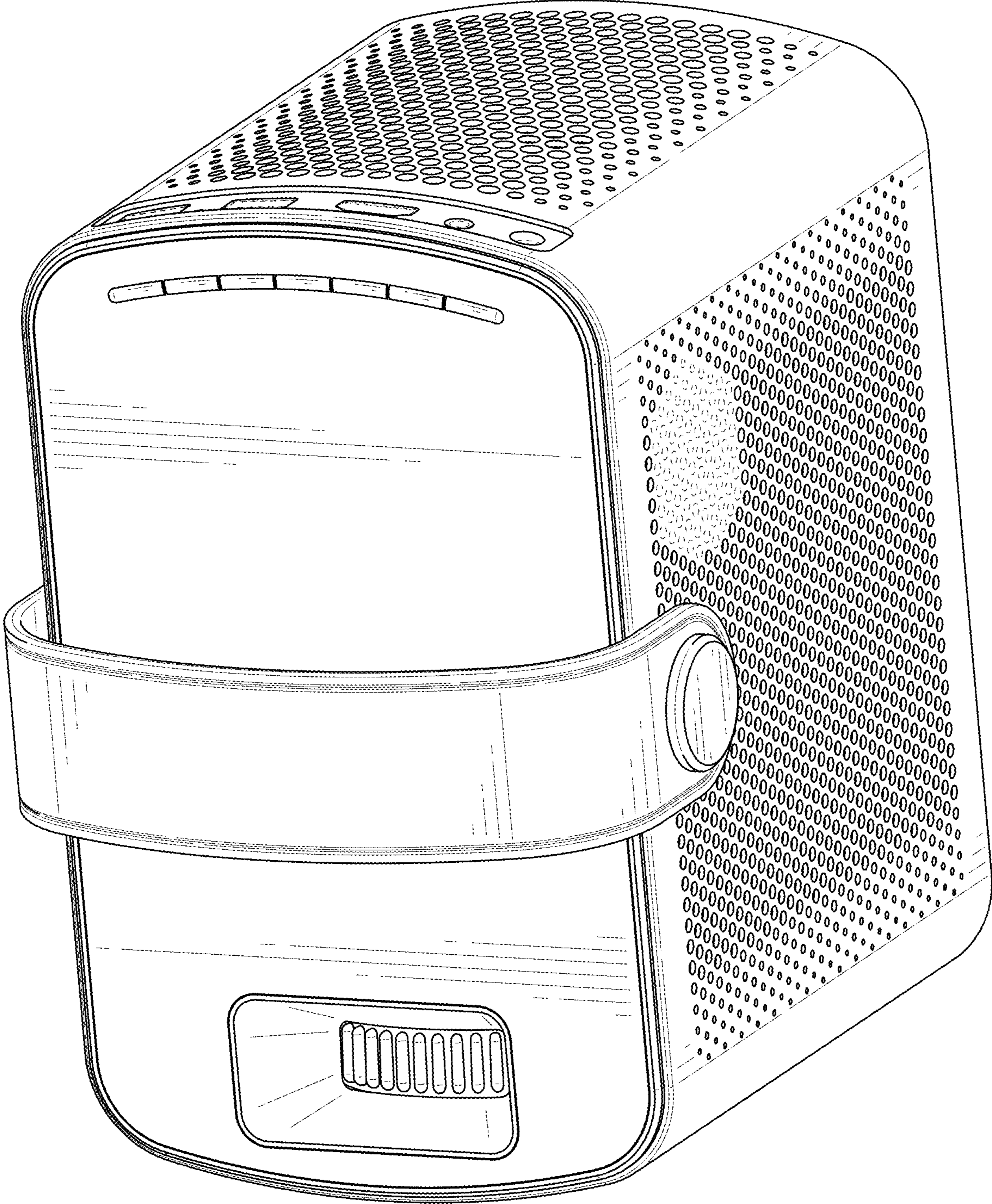


FIG. 3

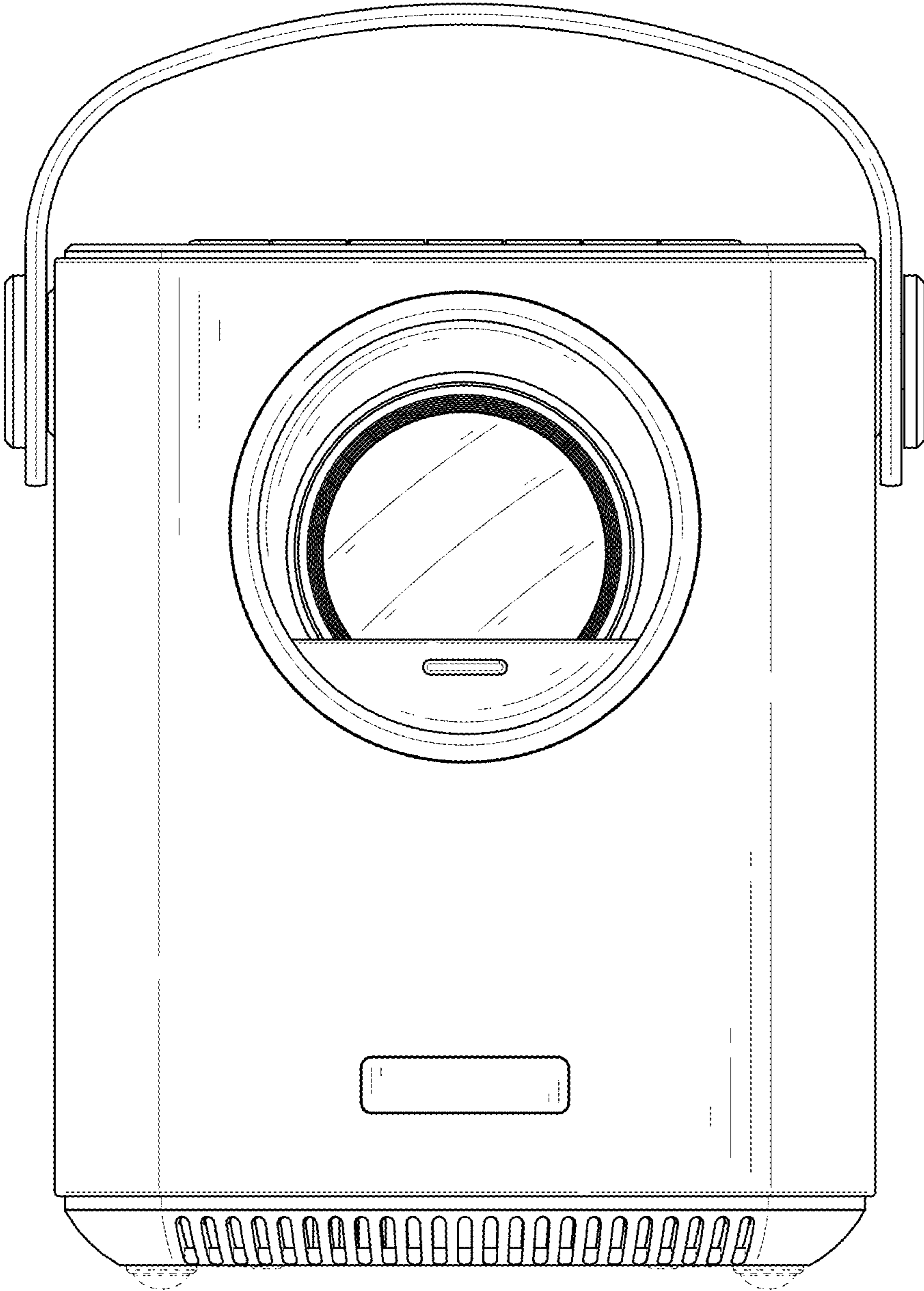


FIG. 4



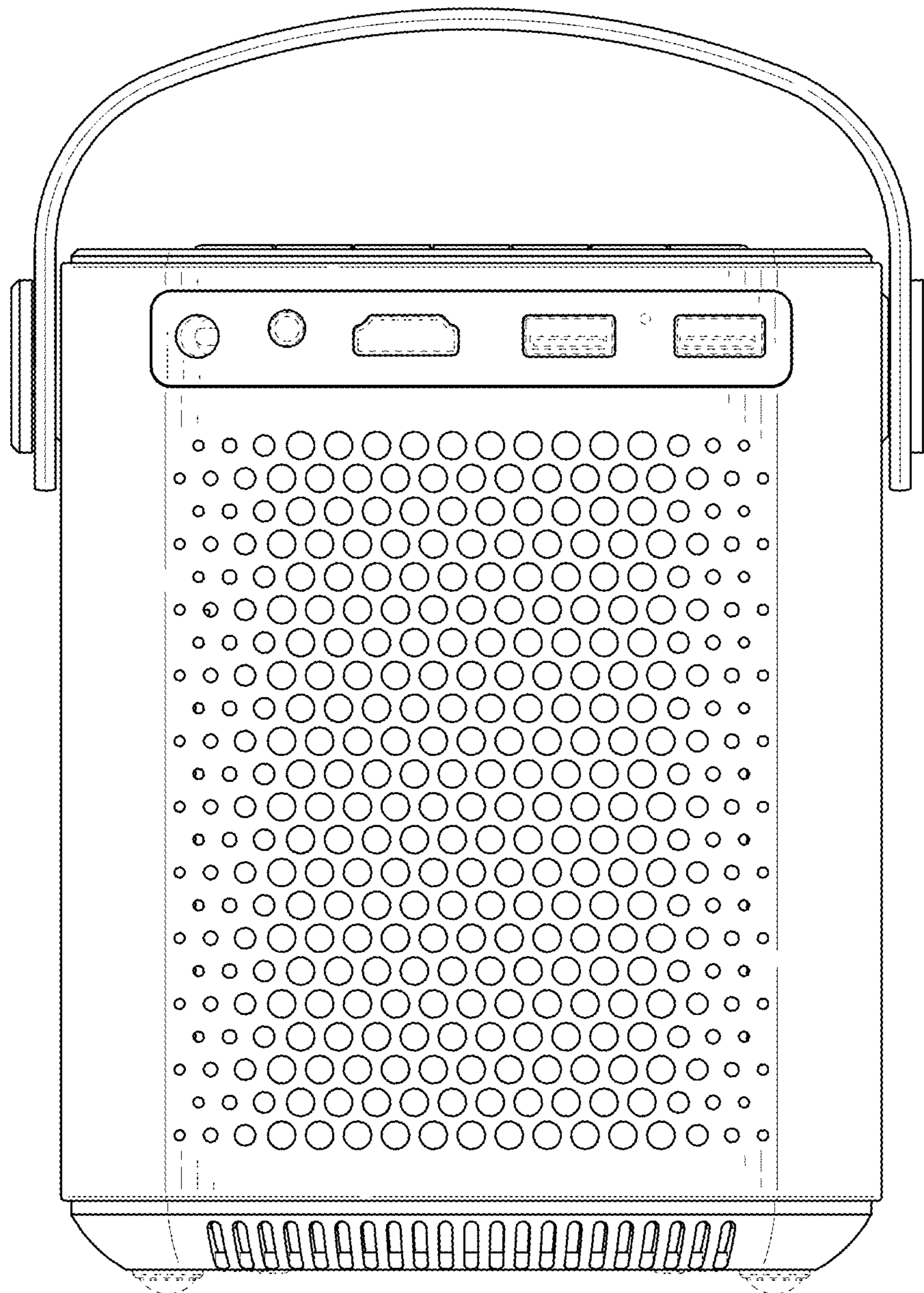


FIG. 5

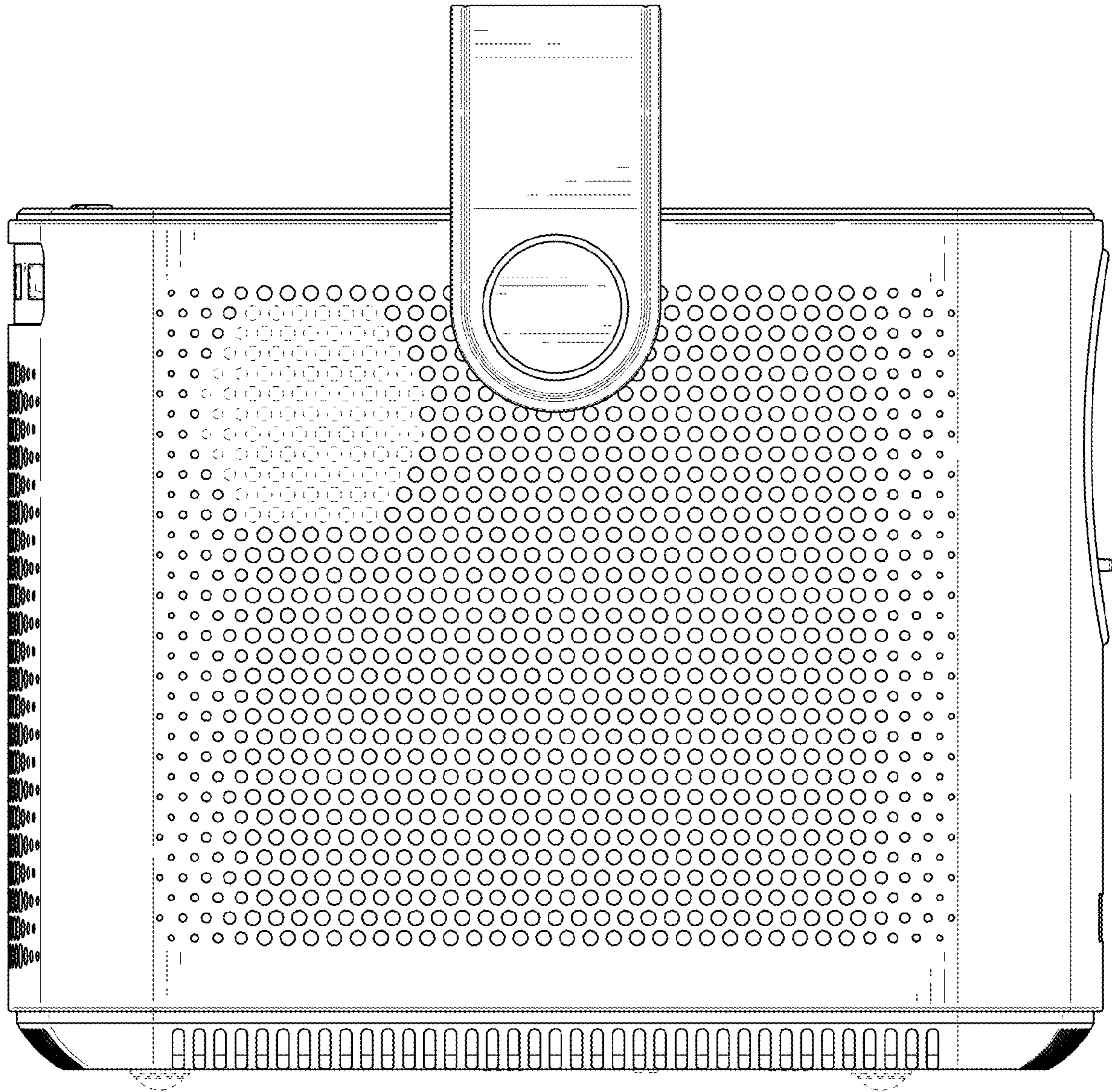


FIG. 6



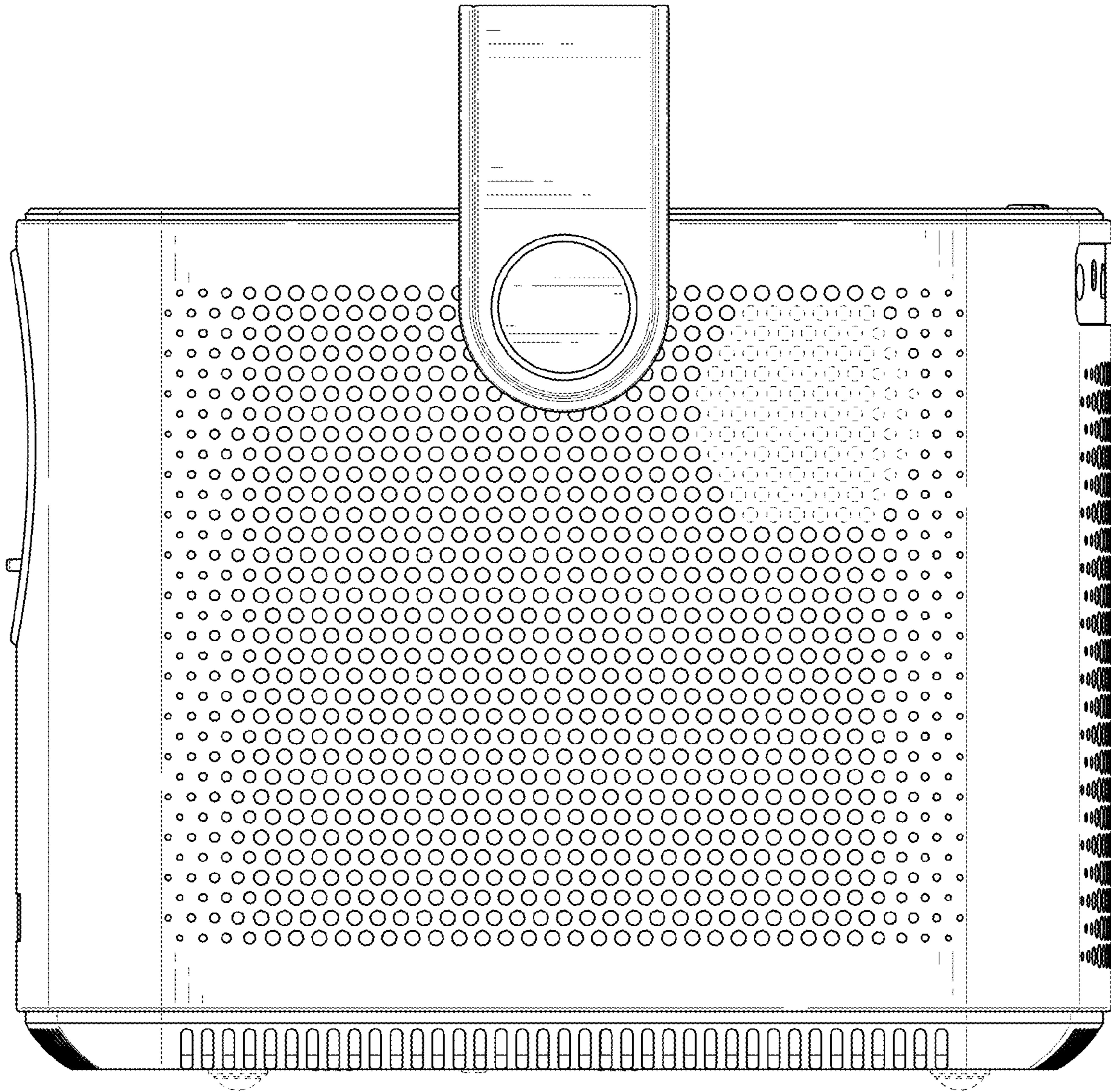


FIG. 7



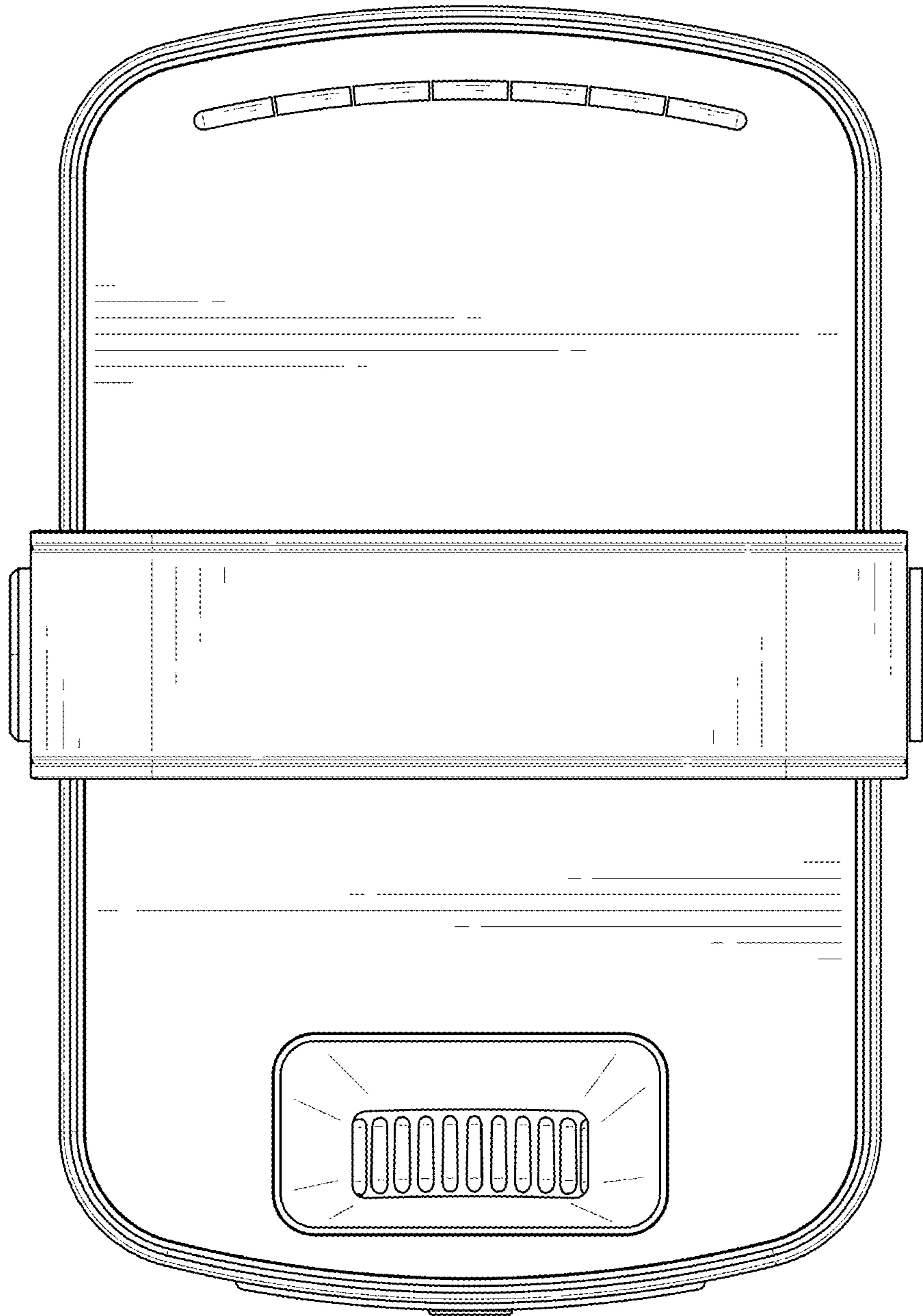


FIG. 8

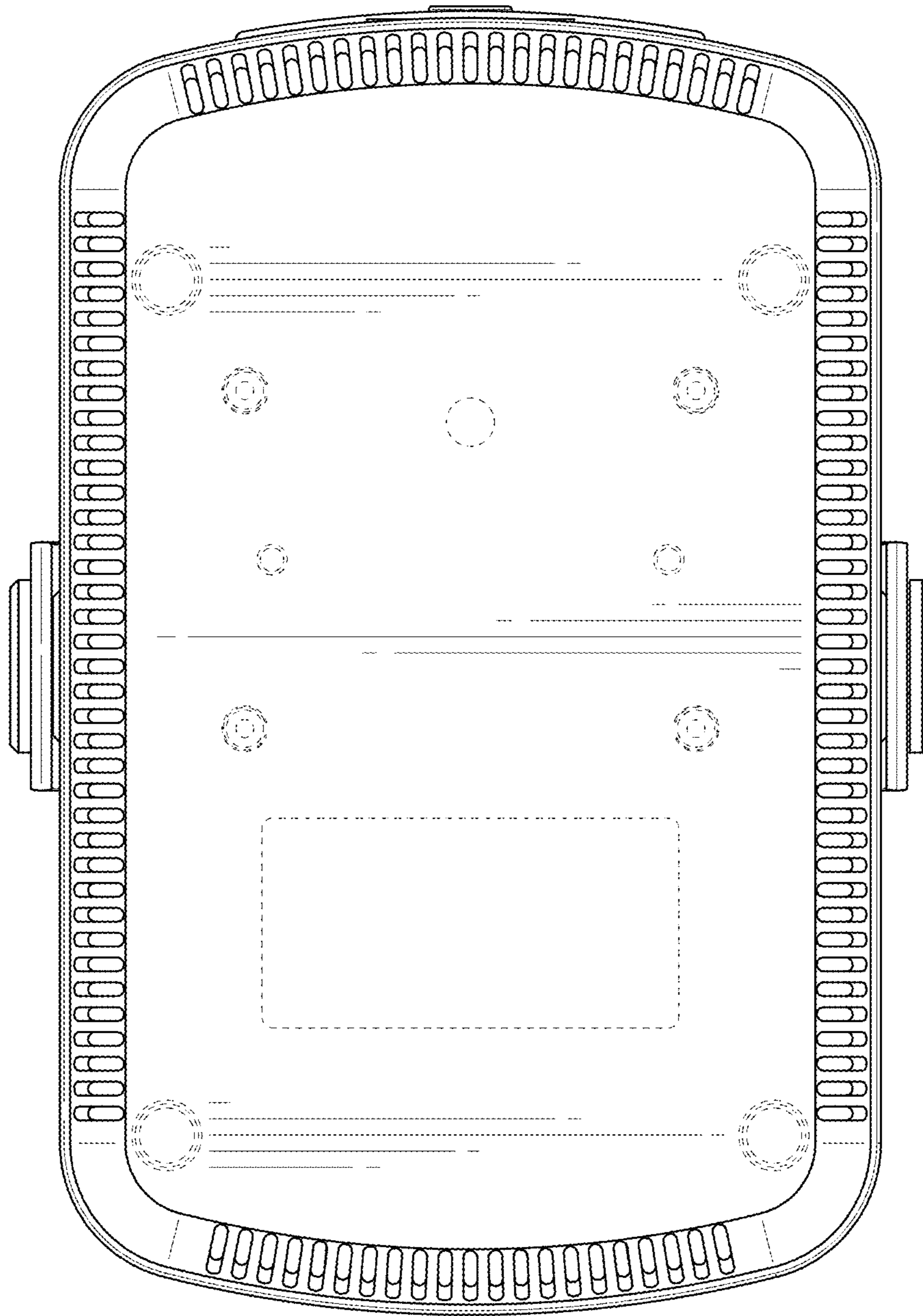


FIG. 9



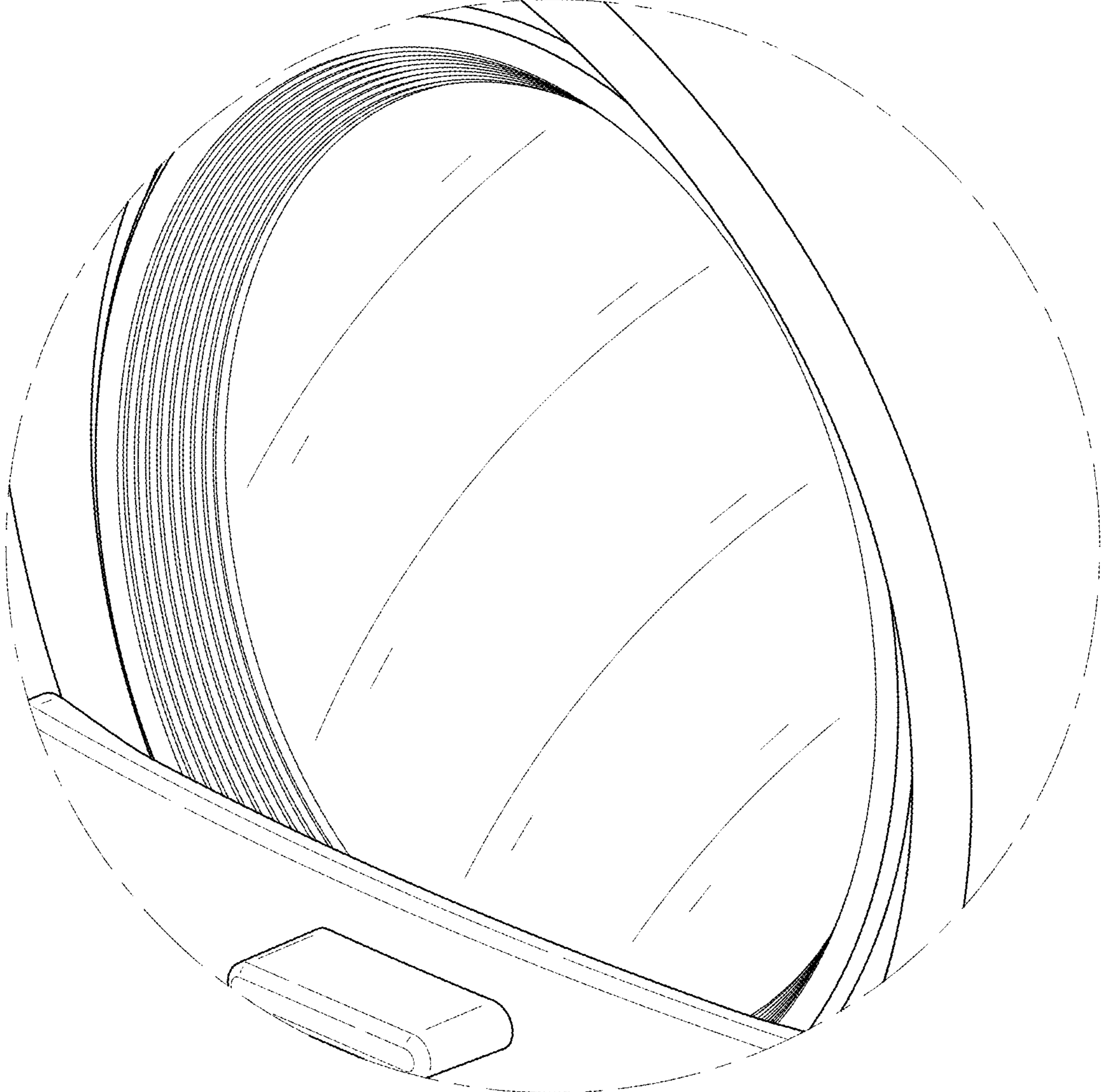


FIG. 10