



US00D934943S

(12) **United States Design Patent**
Zhao

(10) **Patent No.:** **US D934,943 S**

(45) **Date of Patent:** **** Nov. 2, 2021**

(54) **CAMERA**

(71) Applicant: **Shuilian Zhao**, Gansu Province (CN)

(72) Inventor: **Shuilian Zhao**, Gansu Province (CN)

(**) Term: **15 Years**

(21) Appl. No.: **29/756,490**

(22) Filed: **Oct. 29, 2020**

(51) **LOC (13) Cl.** **16-01**

(52) **U.S. Cl.**

USPC **D16/218**

(58) **Field of Classification Search**

USPC D16/200, 202–206, 208–209, 212, 218,
D16/219; 348/373–376; 396/448, 535,
396/539–541

CPC G03B 15/03; G03B 17/02; G03B 17/04;
G03B 17/56; G03B 19/04; H04N 5/2251;
H04N 5/2252; H04N 5/2253; H04N
5/2254; H04N 2101/00

See application file for complete search history.

(56) **References Cited**

U.S. PATENT DOCUMENTS

D698,838 S *	2/2014	Tainaka	D16/200
D727,386 S *	4/2015	Kobayashi	D16/202
D766,351 S *	9/2016	Li	D16/202
D772,966 S *	11/2016	Song	D16/200
D834,084 S	11/2018	Gredler		
D839,335 S *	1/2019	Zhang	D16/202

D857,076 S *	8/2019	Gan	D16/202
D881,972 S *	4/2020	Guo	D16/218
D887,475 S *	6/2020	Hsu	D16/208
D892,901 S *	8/2020	Xu	D16/218
D893,578 S *	8/2020	Denby	D16/218
D898,100 S *	10/2020	Liu	D16/218
D924,958 S *	7/2021	Li	D16/202
D926,243 S *	7/2021	Tsukamoto	D16/218

* cited by examiner

Primary Examiner — Ramzi Almatrahi

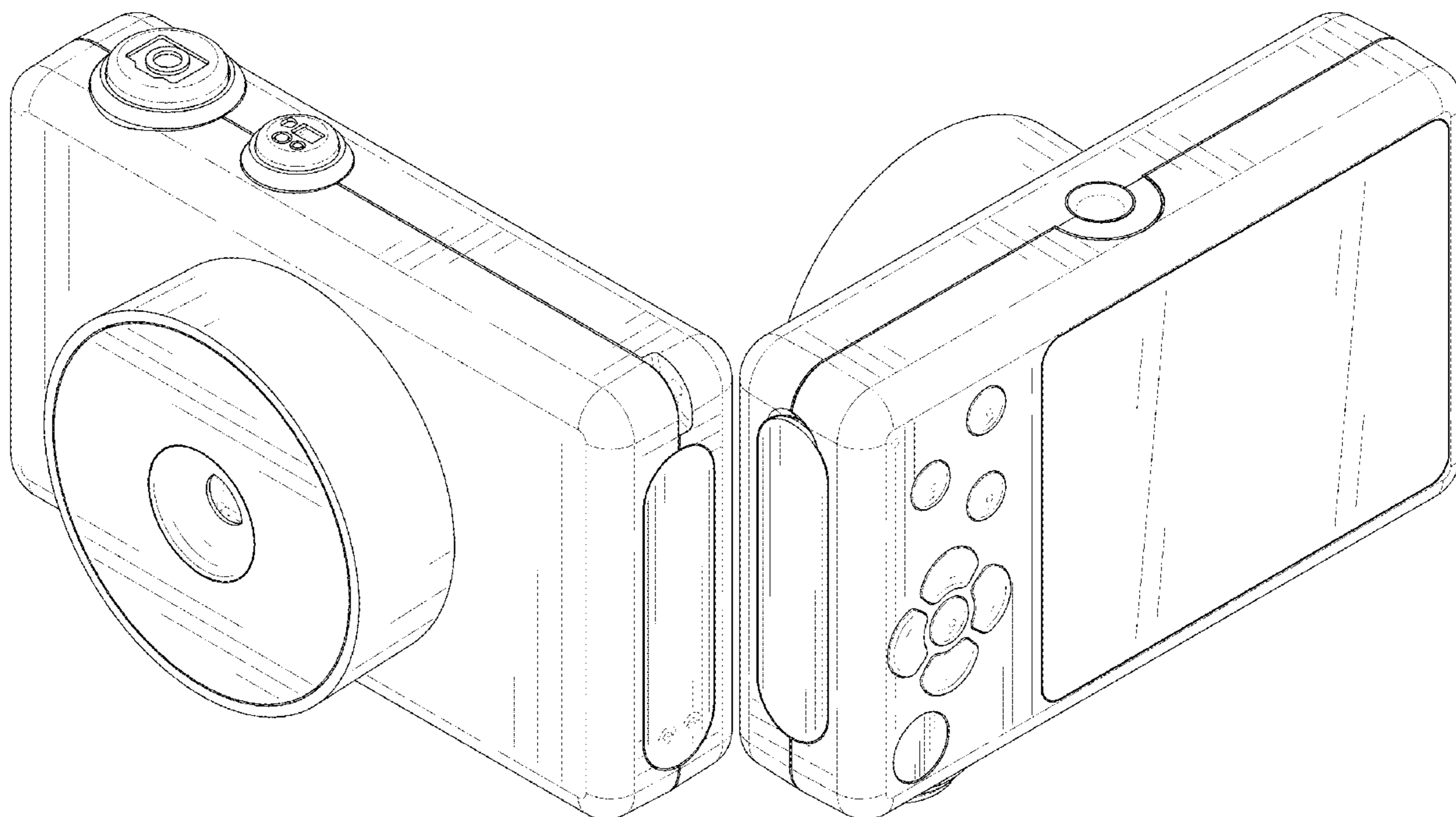
(57) **CLAIM**

The ornamental design for a camera, as shown and described.

DESCRIPTION

FIG. 1 is a top, front and right side perspective view of a camera showing my new design;
 FIG. 2 is a bottom, rear and left side perspective view thereof;
 FIG. 3 is a front elevational view thereof;
 FIG. 4 is a rear elevational view thereof;
 FIG. 5 is a left side elevational view thereof;
 FIG. 6 is a right side elevational view thereof;
 FIG. 7 is a top plan view thereof; and,
 FIG. 8 is a bottom plan view thereof.
 The broken lines in the figures illustrate portions of the camera that form no part of the claimed design.

1 Claim, 8 Drawing Sheets



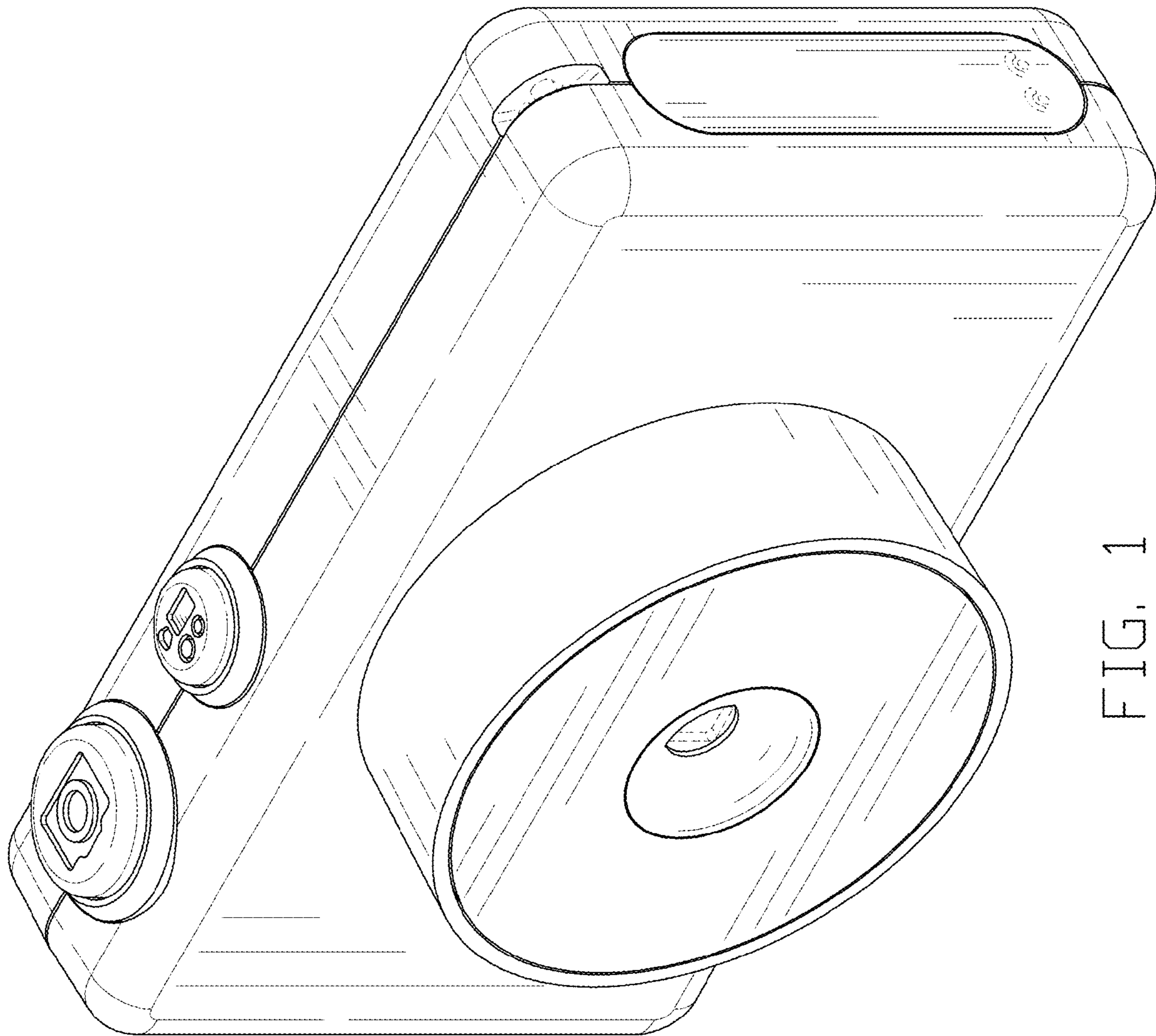


FIG. 1

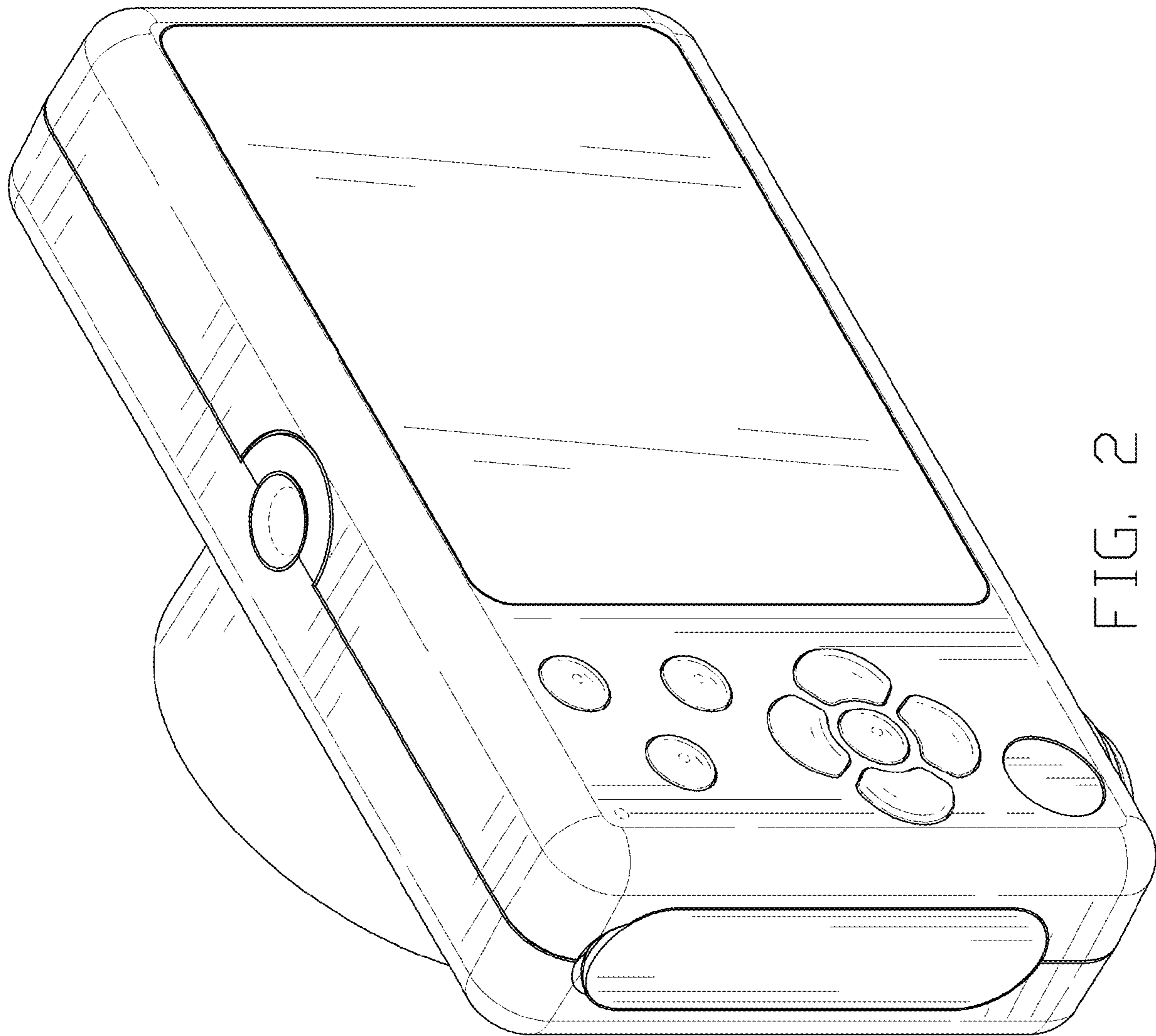


FIG. 2

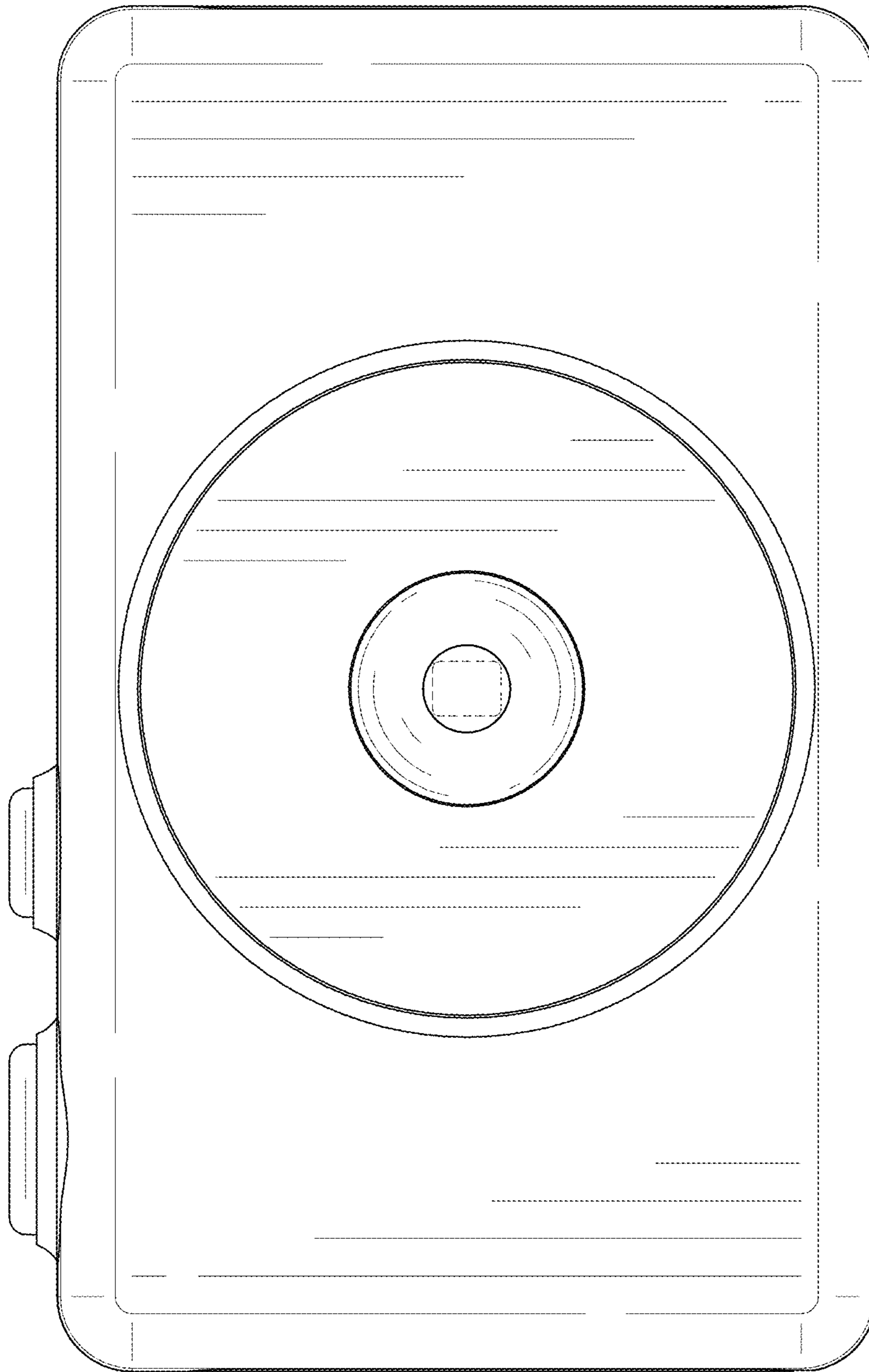


FIG. 3

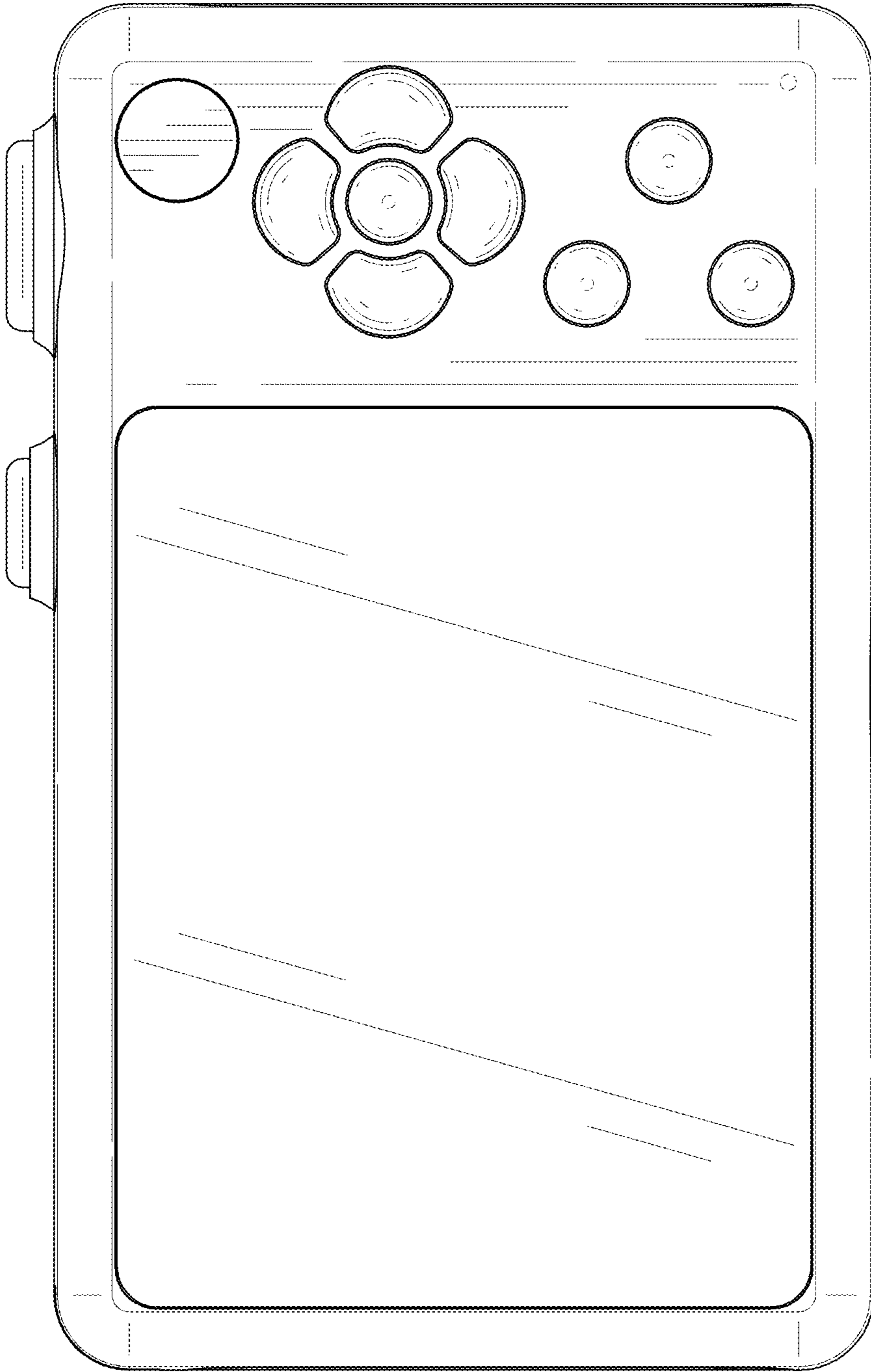


FIG. 4

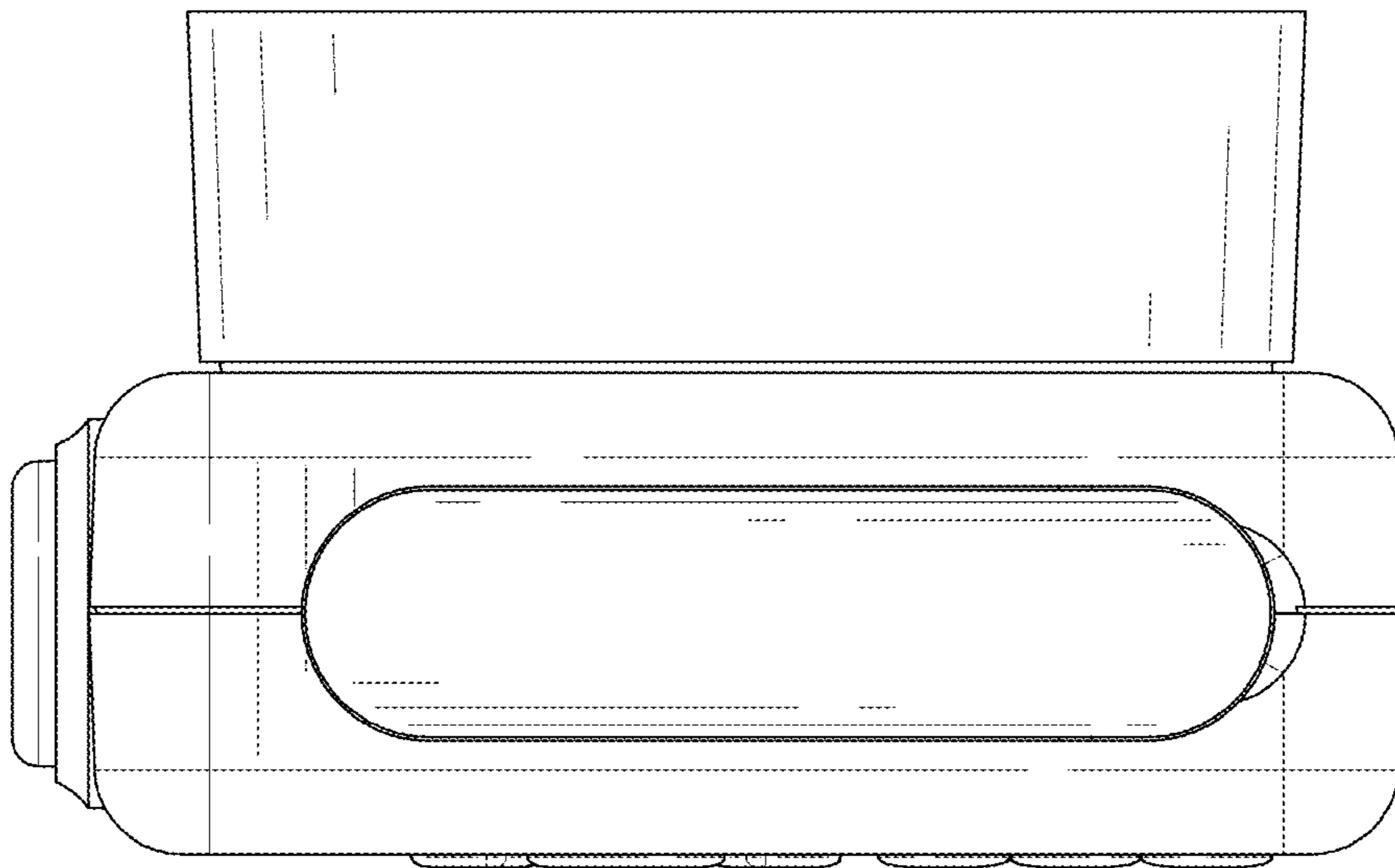


FIG. 5

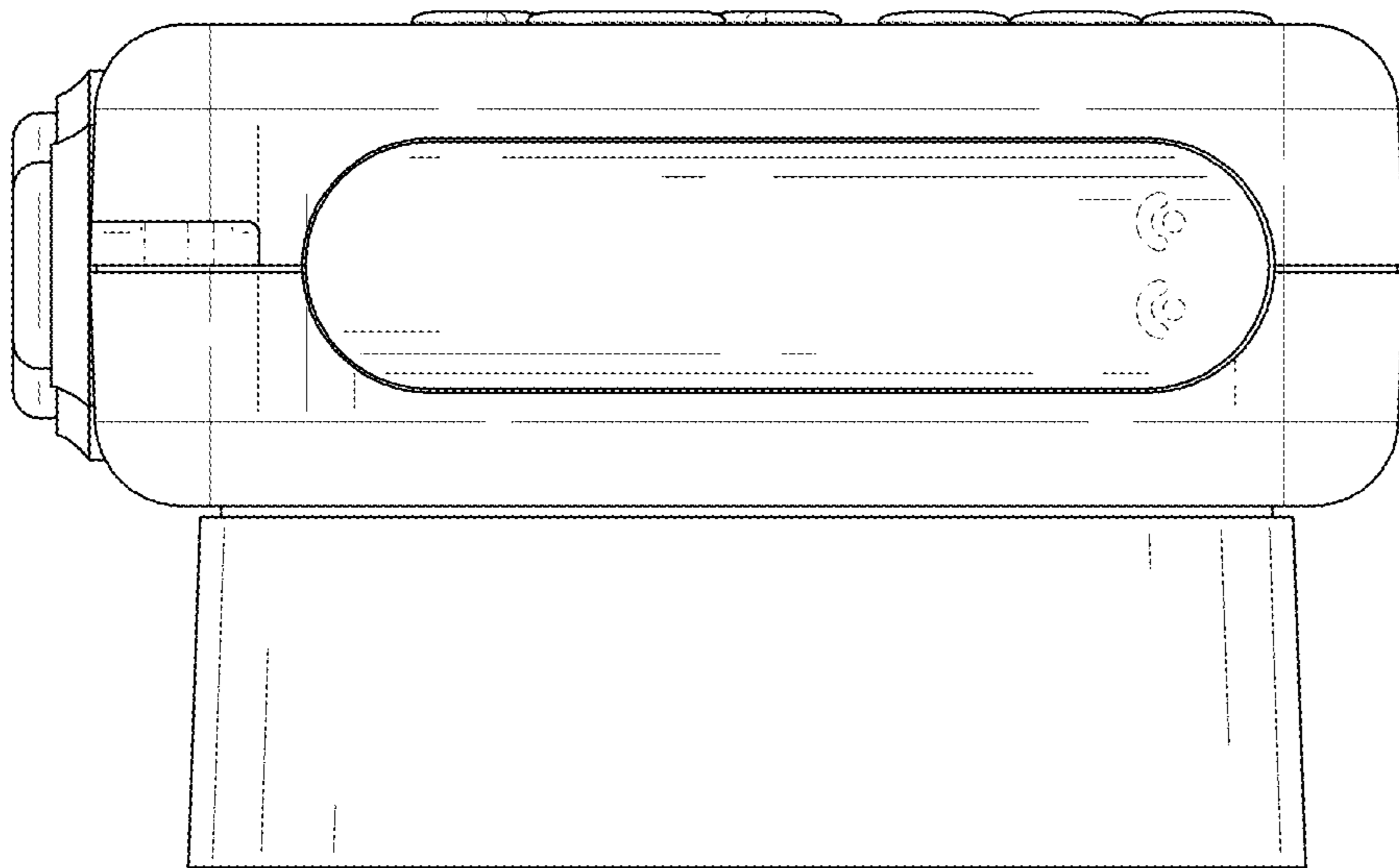


FIG. 6

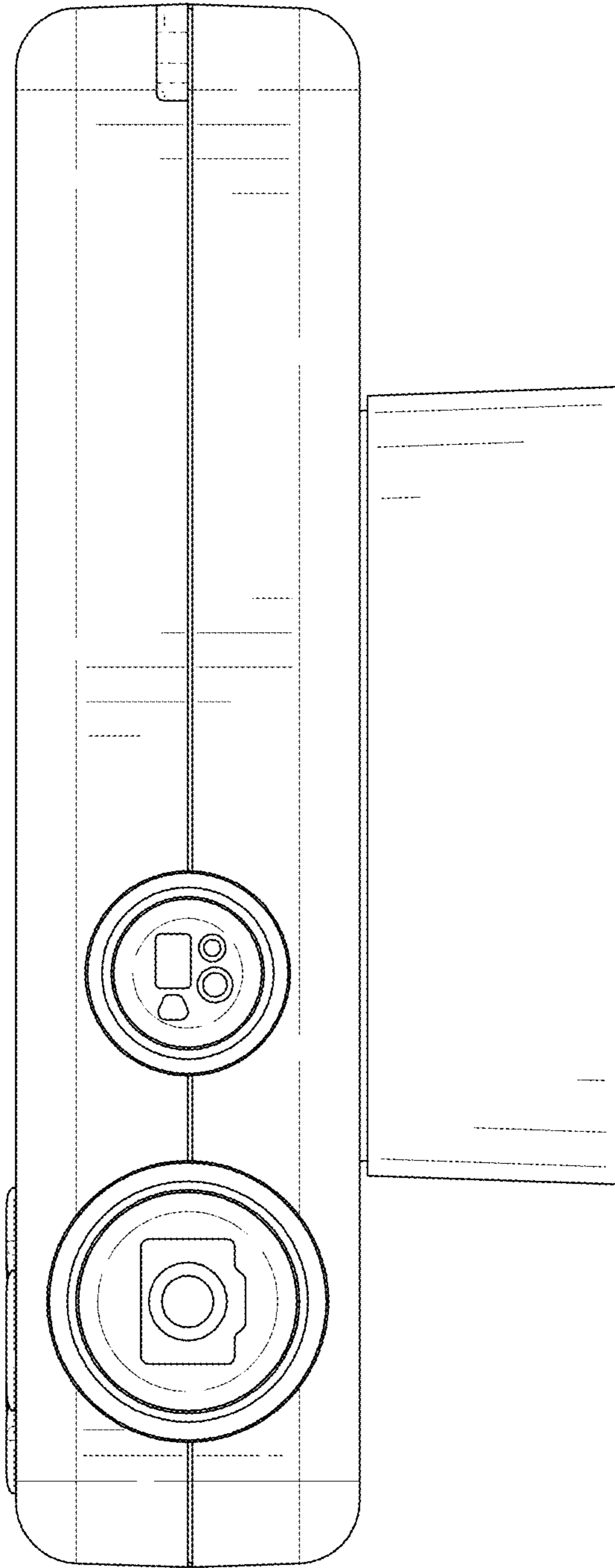


FIG. 7

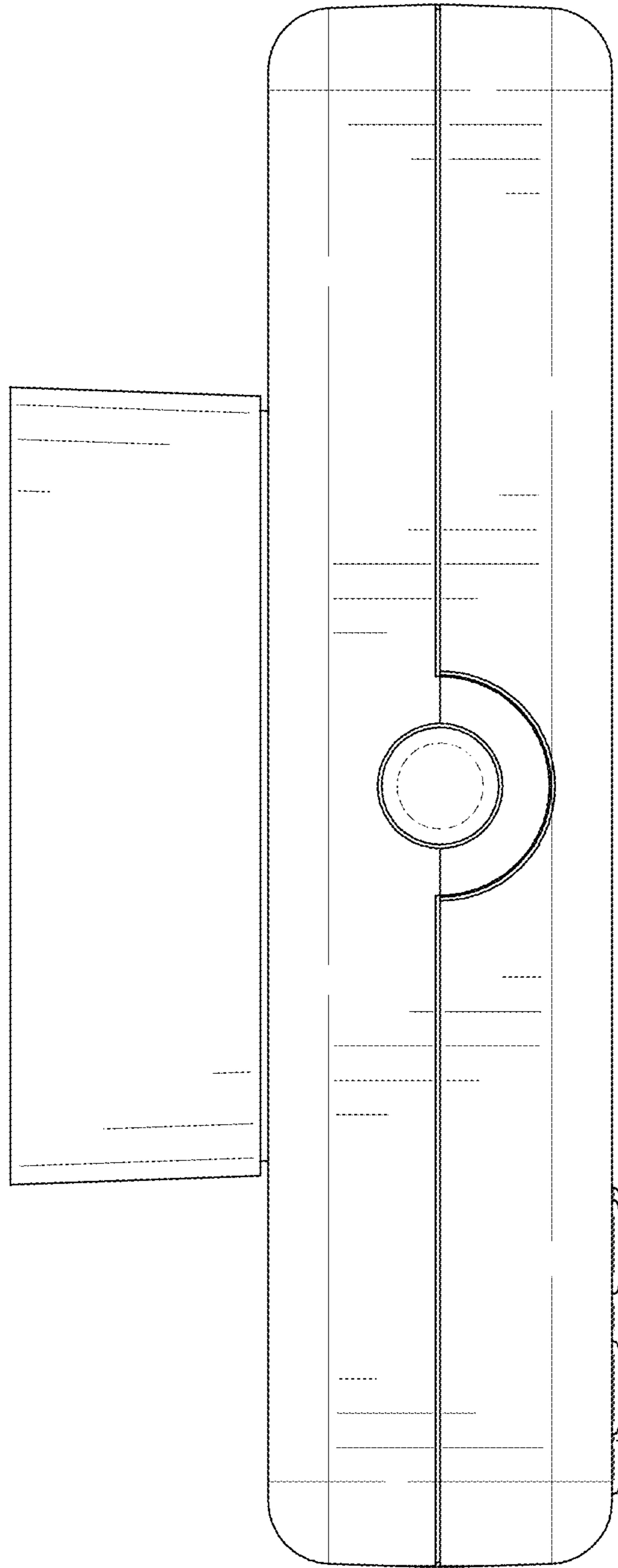


FIG. 8