



US00D934942S

(12) **United States Design Patent**
Kawamoto et al.

(10) **Patent No.:** **US D934,942 S**

(45) **Date of Patent:** **** Nov. 2, 2021**

(54) **CAMERA**

(71) Applicant: **Cisco Technology, Inc.**, San Jose, CA (US)

(72) Inventors: **Nicholas James Kaoru Kawamoto**, Novato, CA (US); **Hyunsoo Lee**, San Francisco, CA (US); **Ramkrishna Swamy**, Morgan Hill, CA (US); **Ian Matthew Snyder**, San Francisco, CA (US); **Nicholas Dye Abalos**, San Francisco, CA (US); **Parmis Taidy**, San Bruno, CA (US); **Brad Andrew Palladino**, Oakland, CA (US); **Philip Lawrence Brown**, San Francisco, CA (US)

(73) Assignee: **CISCO TECHNOLOGY, INC.**, San Jose, CA (US)

(**) Term: **15 Years**

(21) Appl. No.: **29/739,717**

(22) Filed: **Jun. 29, 2020**

(51) **LOC (13) Cl.** **16-01**

(52) **U.S. Cl.**
USPC **D16/211; D16/203**

(58) **Field of Classification Search**
USPC D16/200, 202–205, 208, 211, 214, 218, D16/219, 221, 242; D14/447; 348/14.01–14.06, 143, 148, 373–376; 396/419, 427, 535, 539–541
CPC G03B 17/02; G03B 19/04; G03B 17/56; G03B 17/04; G03B 15/03; H04N 5/2251; H04N 5/2252; H04N 5/2253; H04N 5/2254; H04N 2007/145; H04N 7/141; H04N 7/142; H04N 7/147; H04N 7/148; H04N 7/15; H04N 7/152

See application file for complete search history.

(56) **References Cited**

U.S. PATENT DOCUMENTS

D754,233 S * 4/2016 Du D16/211
D784,434 S * 4/2017 Benedetti D16/202

(Continued)

Primary Examiner — Ramzi Almatrahi

(74) *Attorney, Agent, or Firm* — Polsinelli PC

(57) **CLAIM**

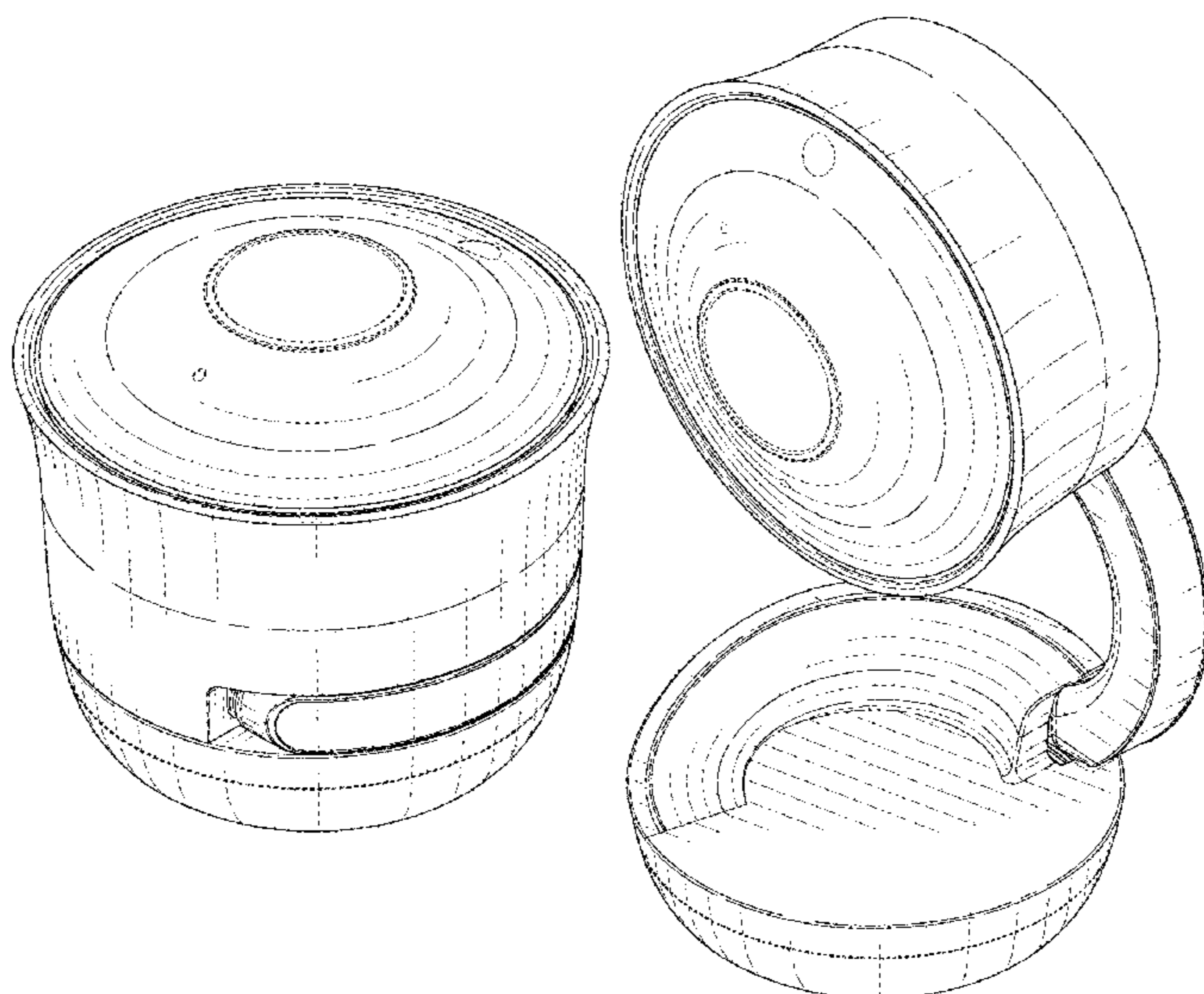
We claim the ornamental design for a camera, as shown and described.

DESCRIPTION

FIG. 1 is a front perspective view of a camera, showing our new design in a first configuration;
FIG. 2 is a front elevational view thereof;
FIG. 3 is a rear elevational view thereof;
FIG. 4 is a right side elevational view thereof;
FIG. 5 is a left side elevational view thereof;
FIG. 6 is a top plan view thereof;
FIG. 7 is a bottom plan view thereof;
FIG. 8 is a front perspective view thereof, shown with the camera in a second configuration;
FIG. 9 is a front elevational view thereof;
FIG. 10 is a rear elevational view thereof;
FIG. 11 is a right side elevational view thereof;
FIG. 12 is a left side elevational view thereof;
FIG. 13 is a top plan view thereof;
FIG. 14 is a bottom plan view thereof;
FIG. 15 is a front perspective view thereof, shown with the camera in a third configuration;
FIG. 16 is a front elevational view thereof;
FIG. 17 is a rear elevational view thereof;
FIG. 18 is a right side elevational view thereof;
FIG. 19 is a left side elevational view thereof;
FIG. 20 is a top plan view thereof; and,
FIG. 21 is a bottom plan view thereof.

The broken lines depict portions of the camera in which the design is embodied that form no part of the claimed design.

1 Claim, 19 Drawing Sheets



(56)

References Cited

U.S. PATENT DOCUMENTS

D798,360	S	*	9/2017	Jeong	D16/203
D813,926	S	*	3/2018	Shin	D16/203
D828,425	S	*	9/2018	Piekarski	D16/202
D828,426	S	*	9/2018	Li	D16/202
D849,094	S	*	5/2019	Gan	D16/203
D882,664	S	*	4/2020	Tang	D16/203
D886,177	S	*	6/2020	Ramones	D16/203
D887,474	S	*	6/2020	Yeh	D16/203
D890,831	S	*	7/2020	Zheng	D16/203
D898,801	S	*	10/2020	Wu	D16/203
D912,121	S	*	3/2021	Han	D16/203
D912,122	S	*	3/2021	McManigal	D16/203
D914,076	S	*	3/2021	Abel	D16/202

* cited by examiner

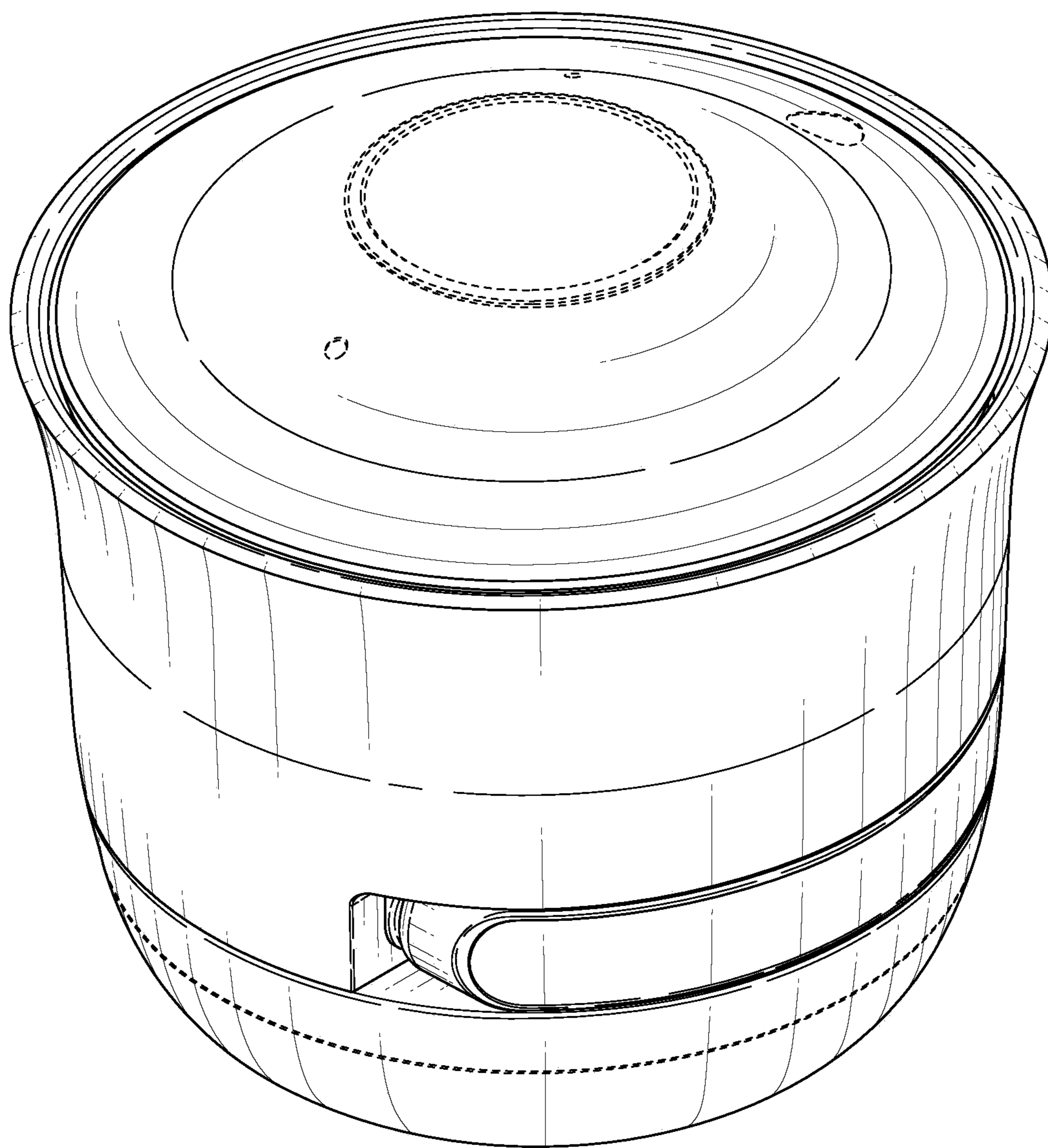


FIG. 1

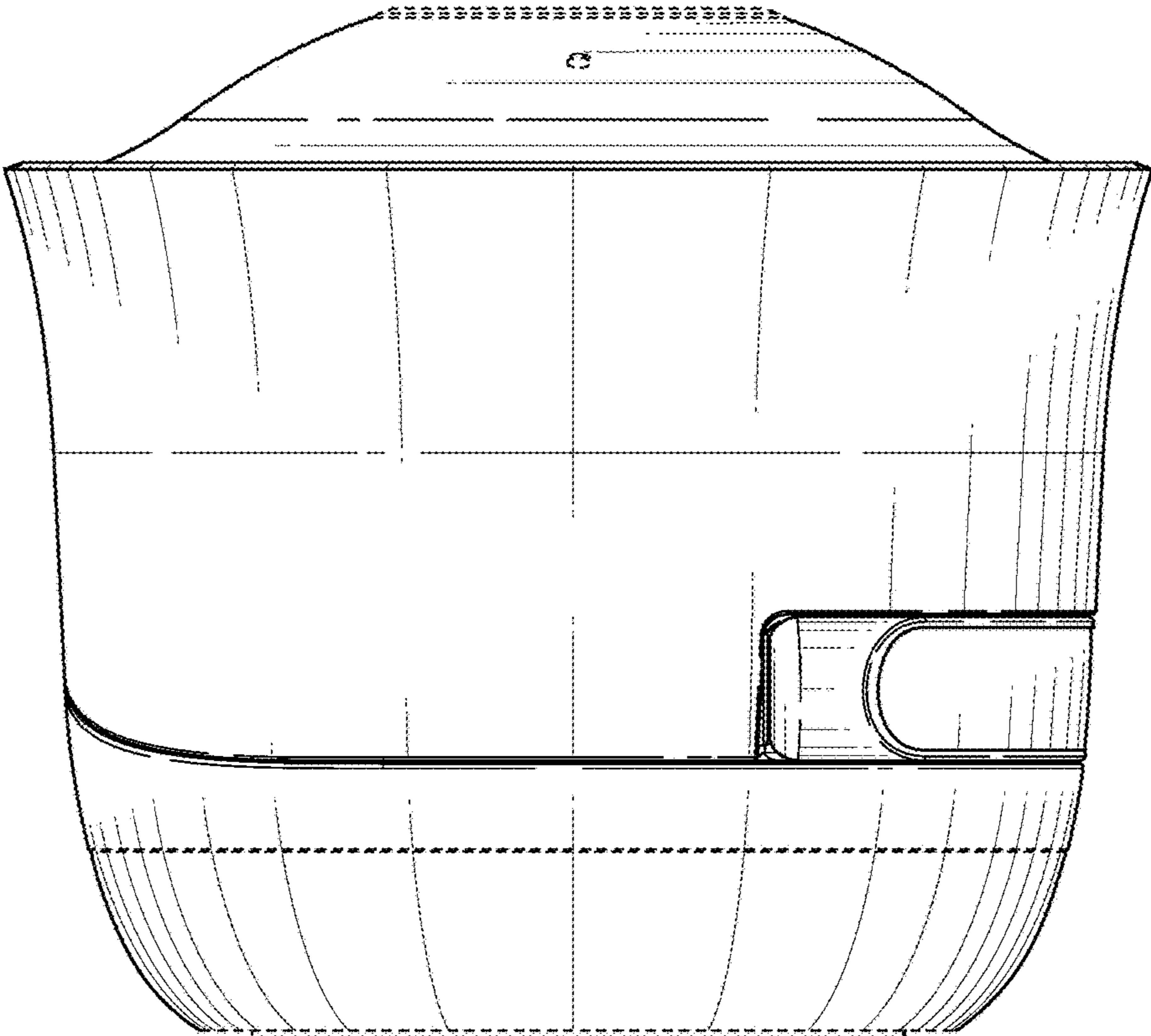


FIG. 2

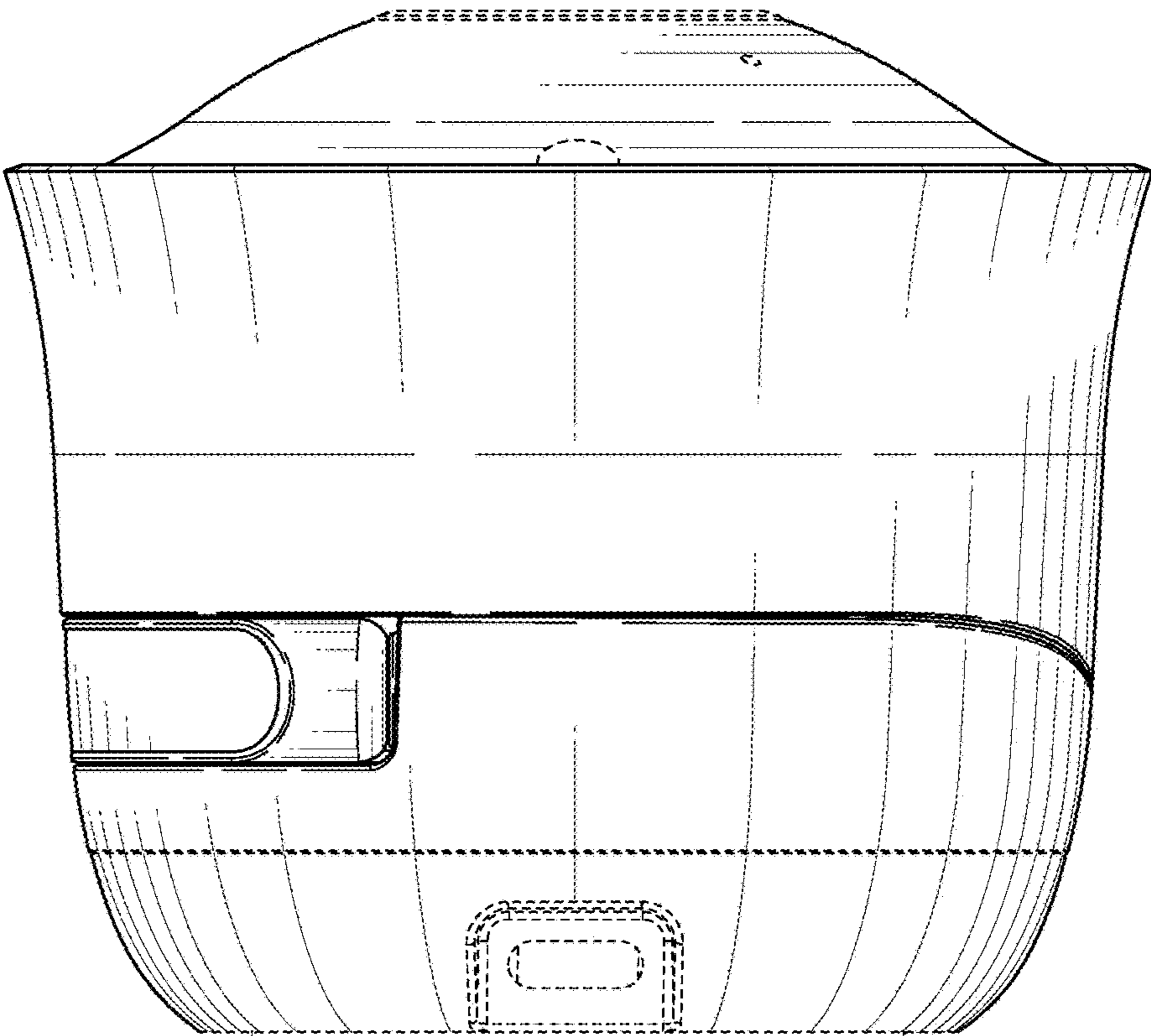


FIG. 3

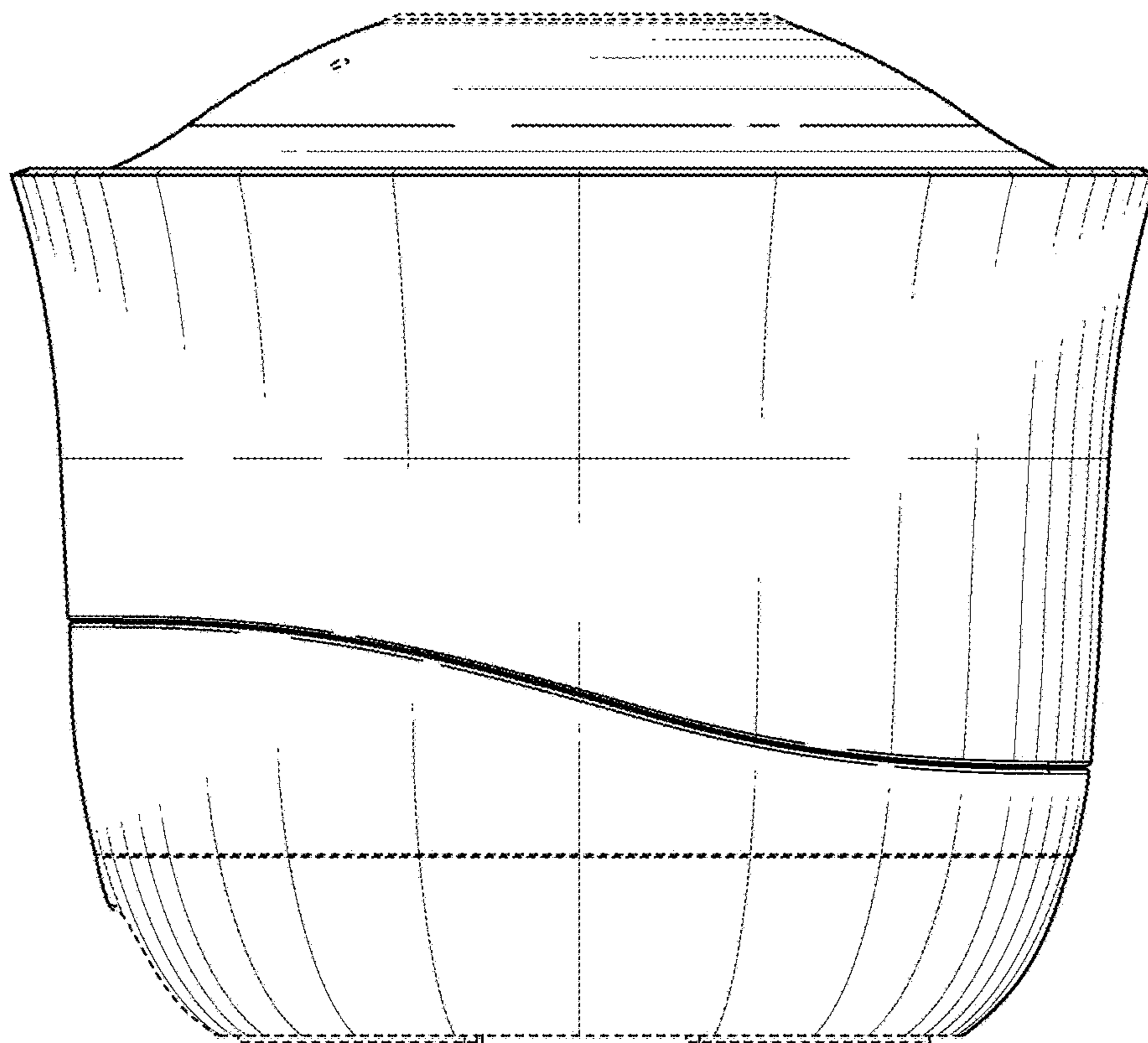


FIG. 4

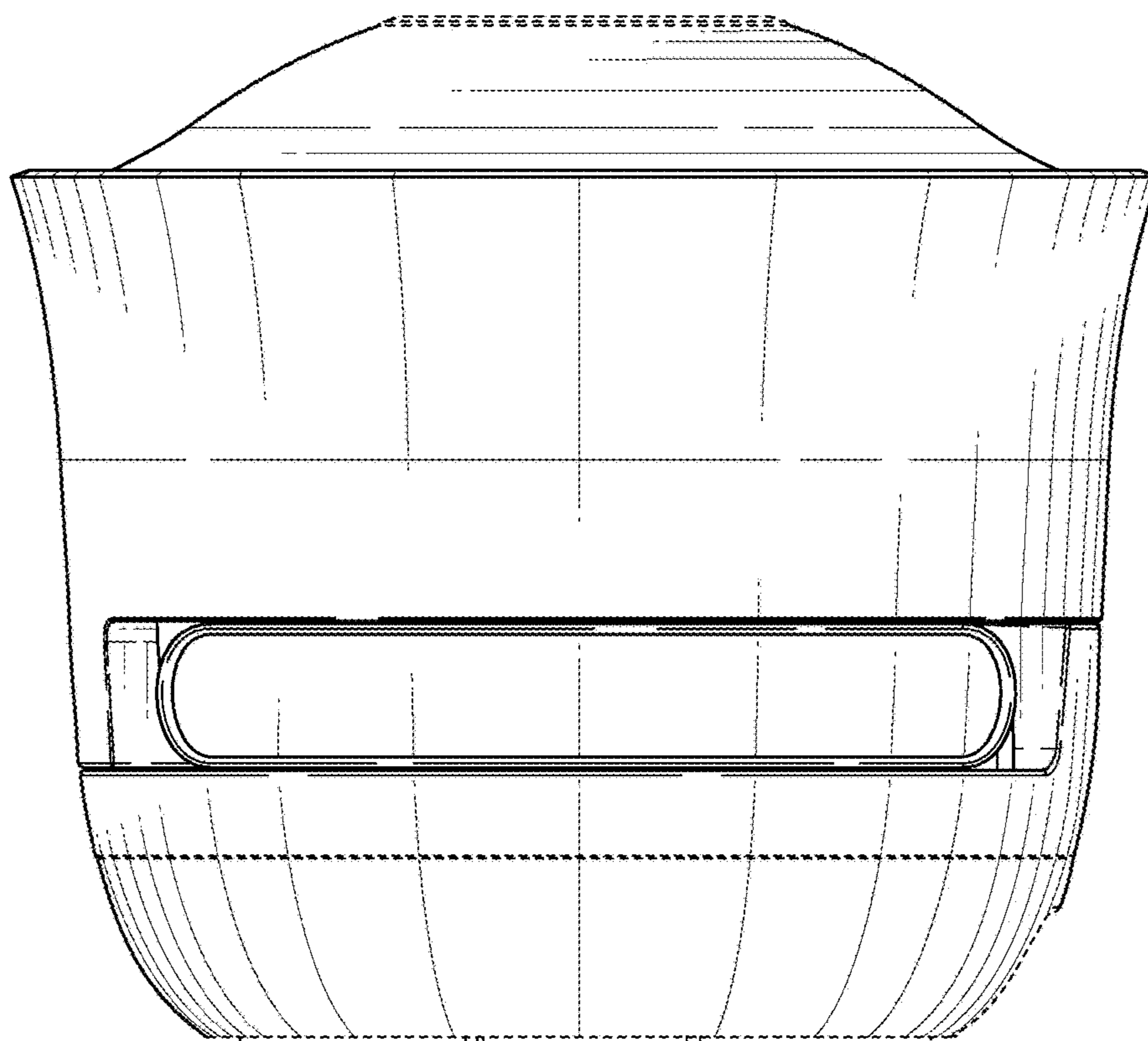


FIG. 5

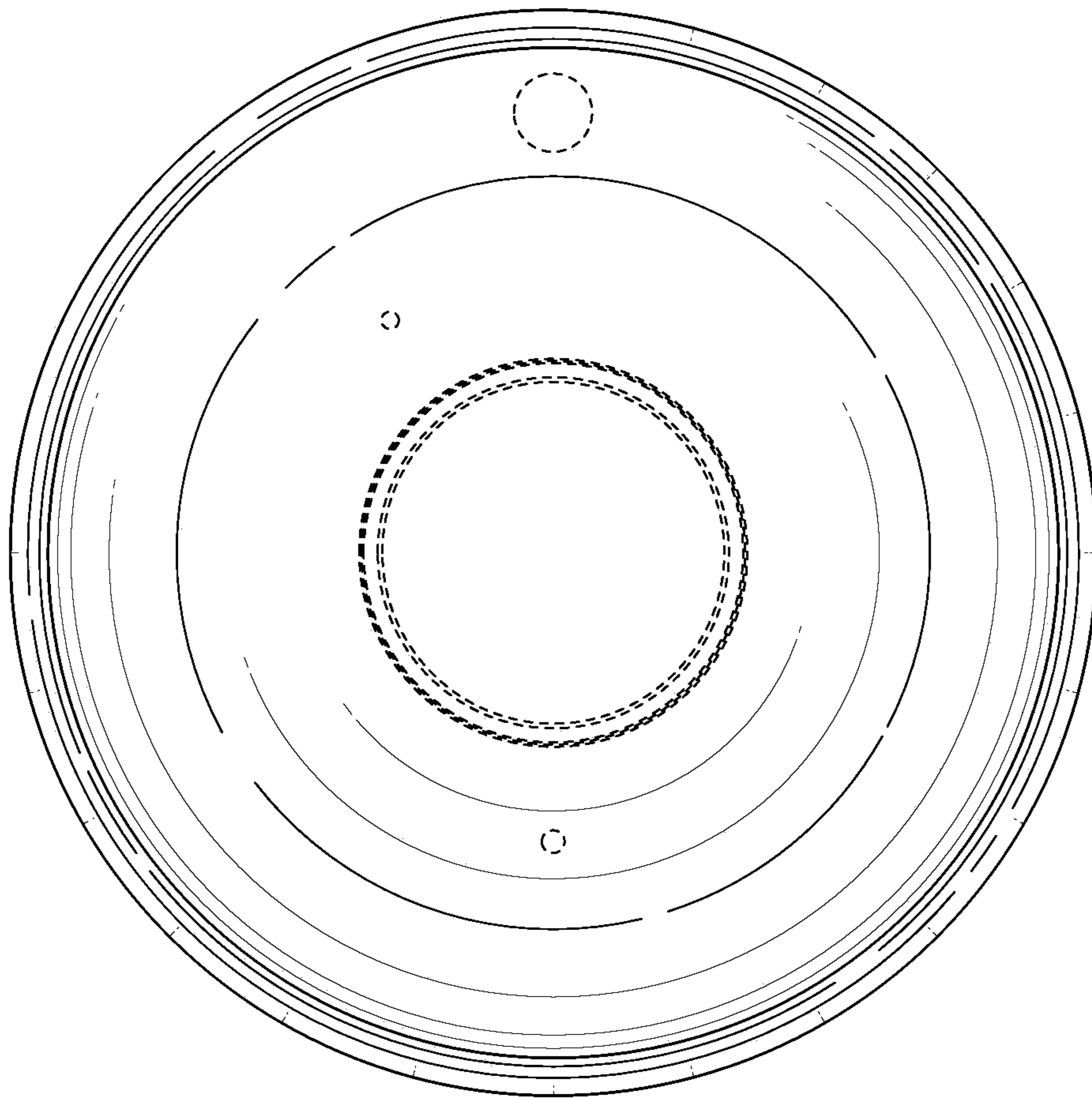


FIG. 6

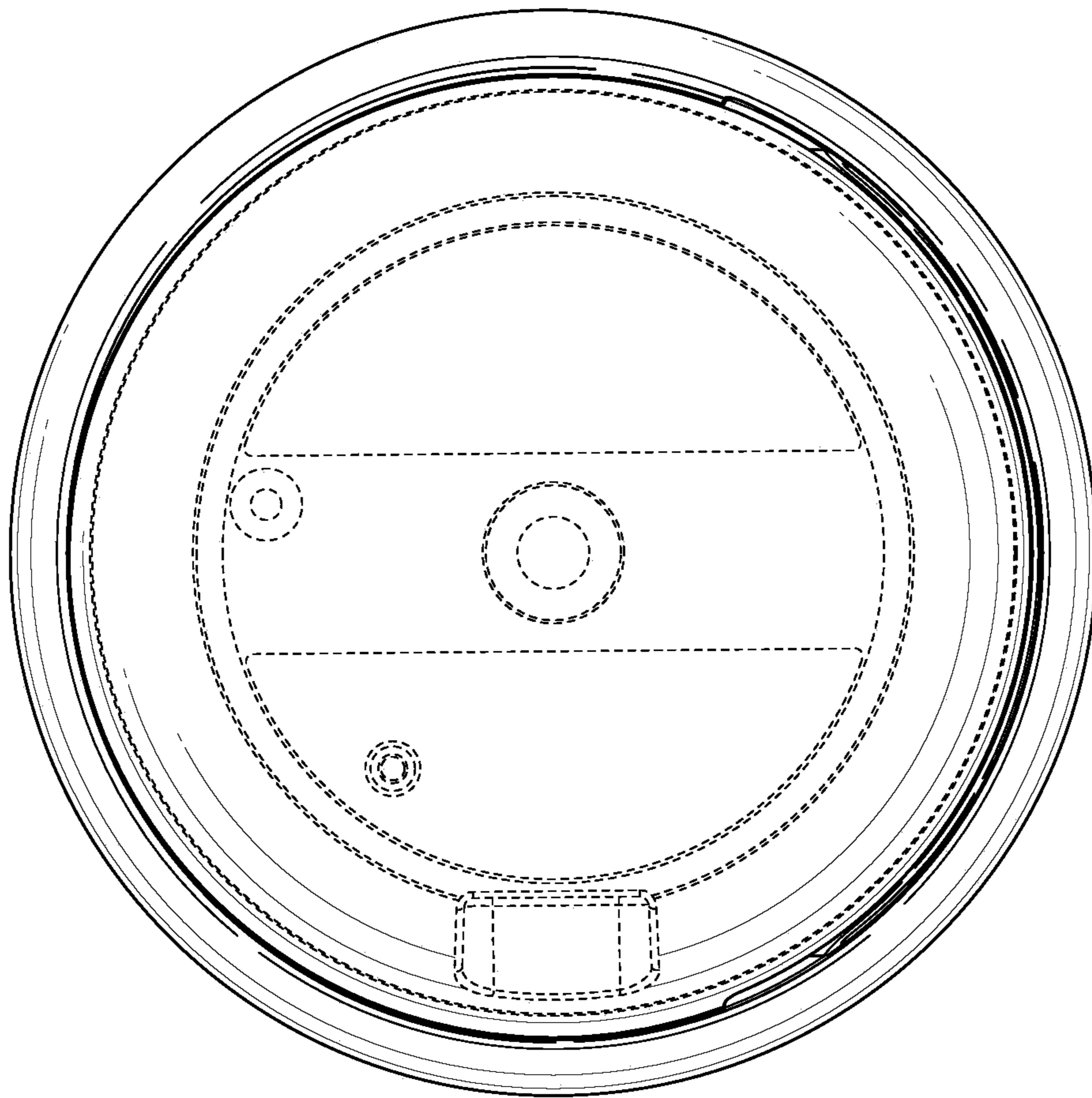


FIG. 7

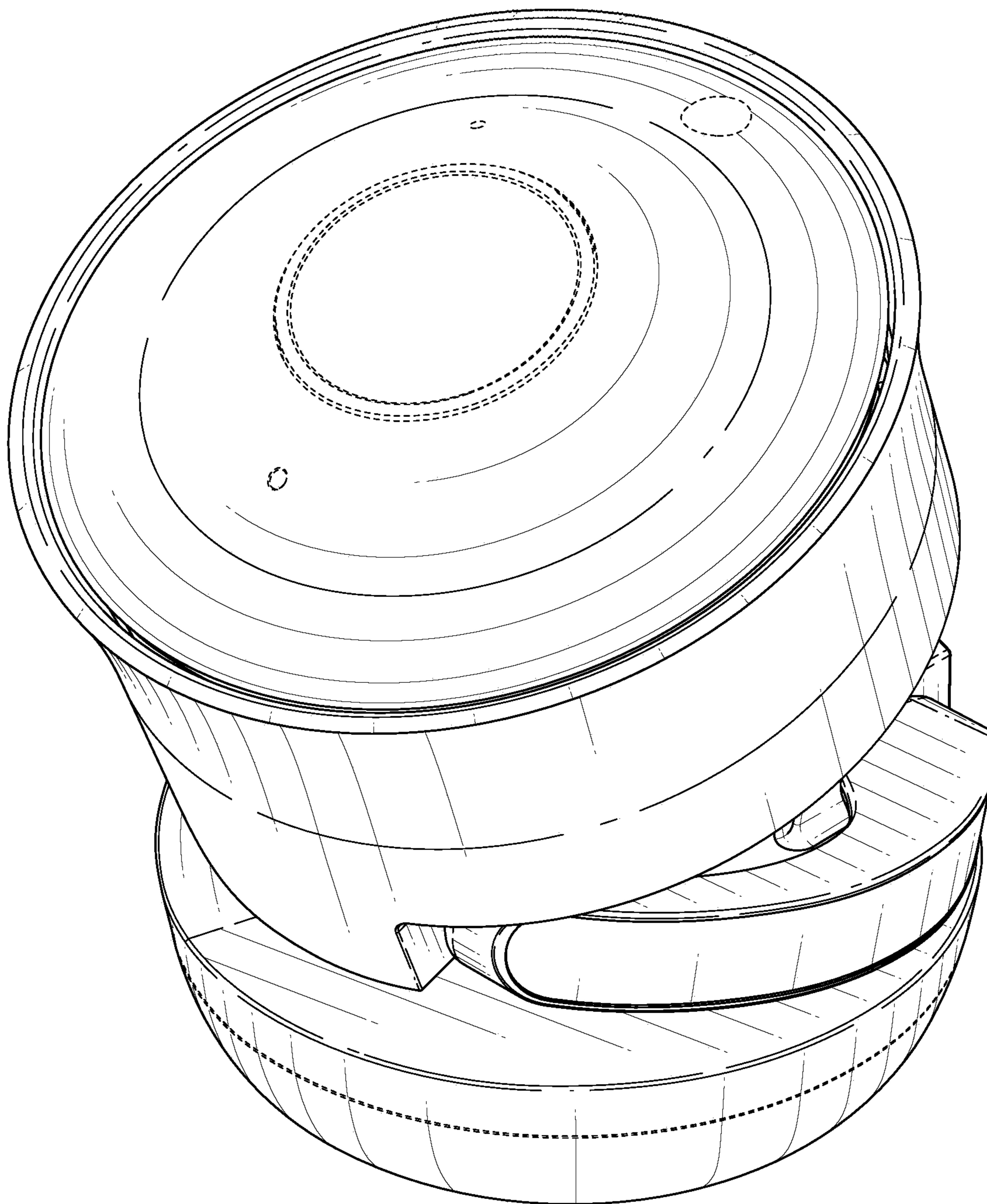


FIG. 8

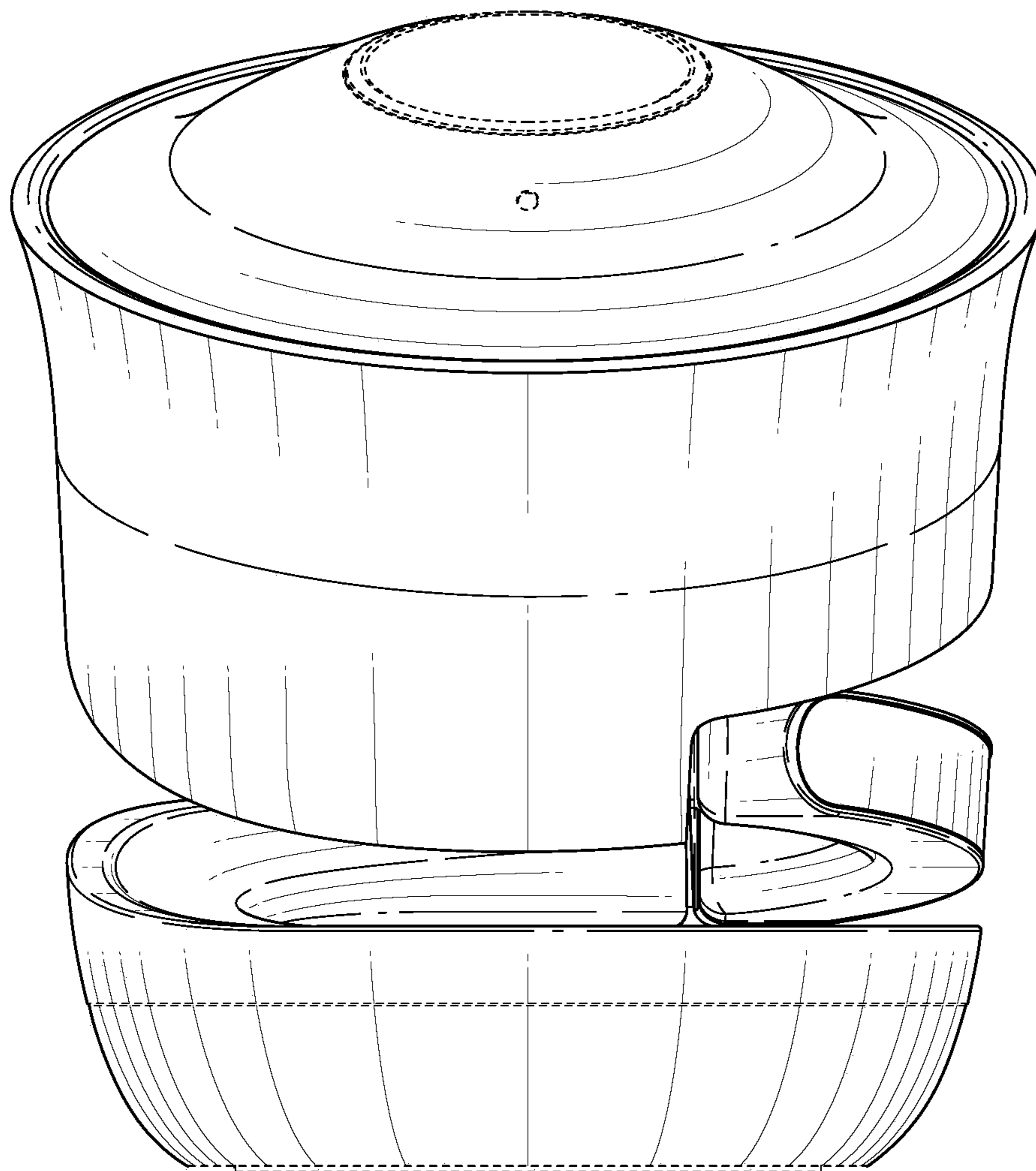


FIG. 9

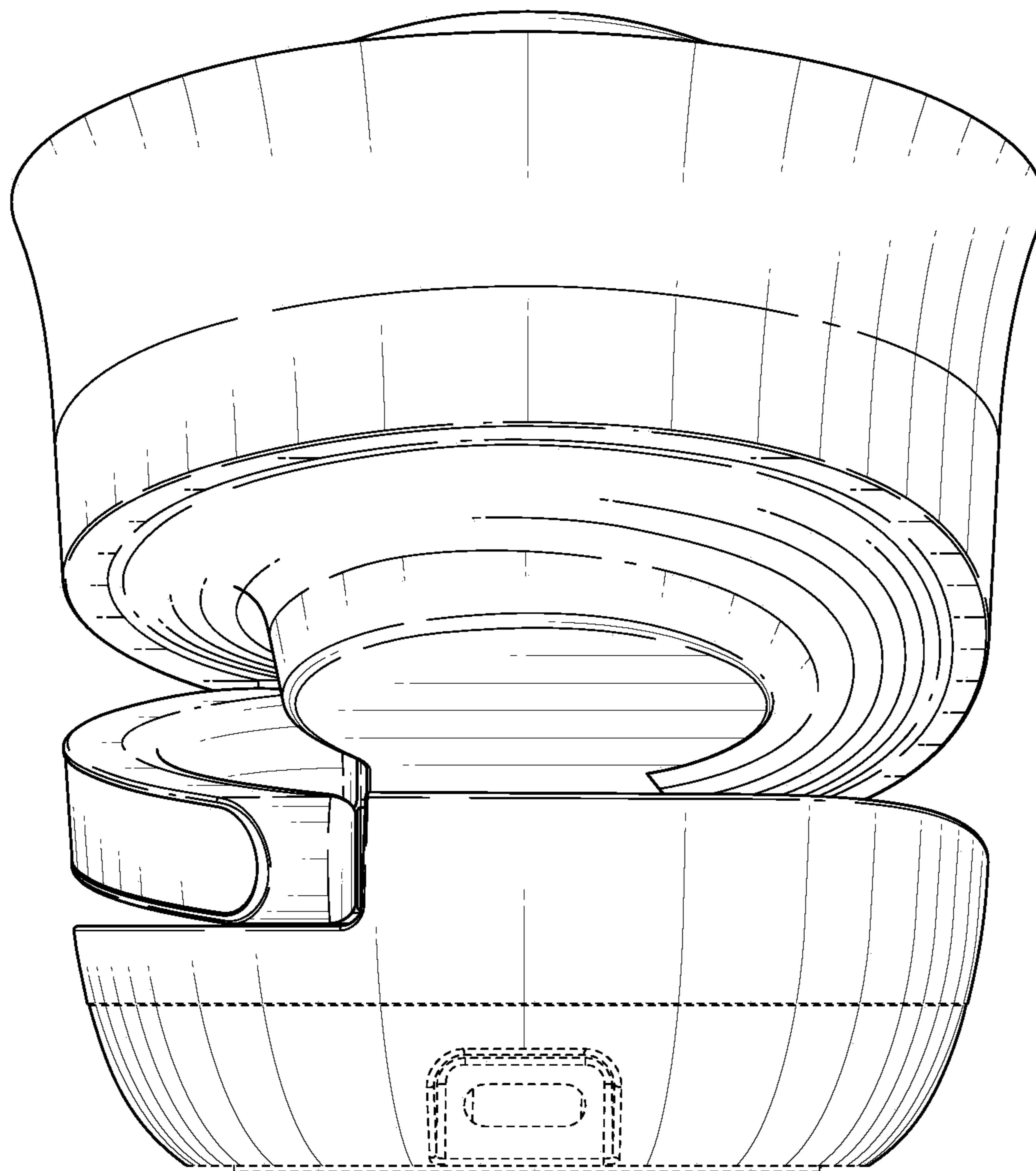


FIG. 10

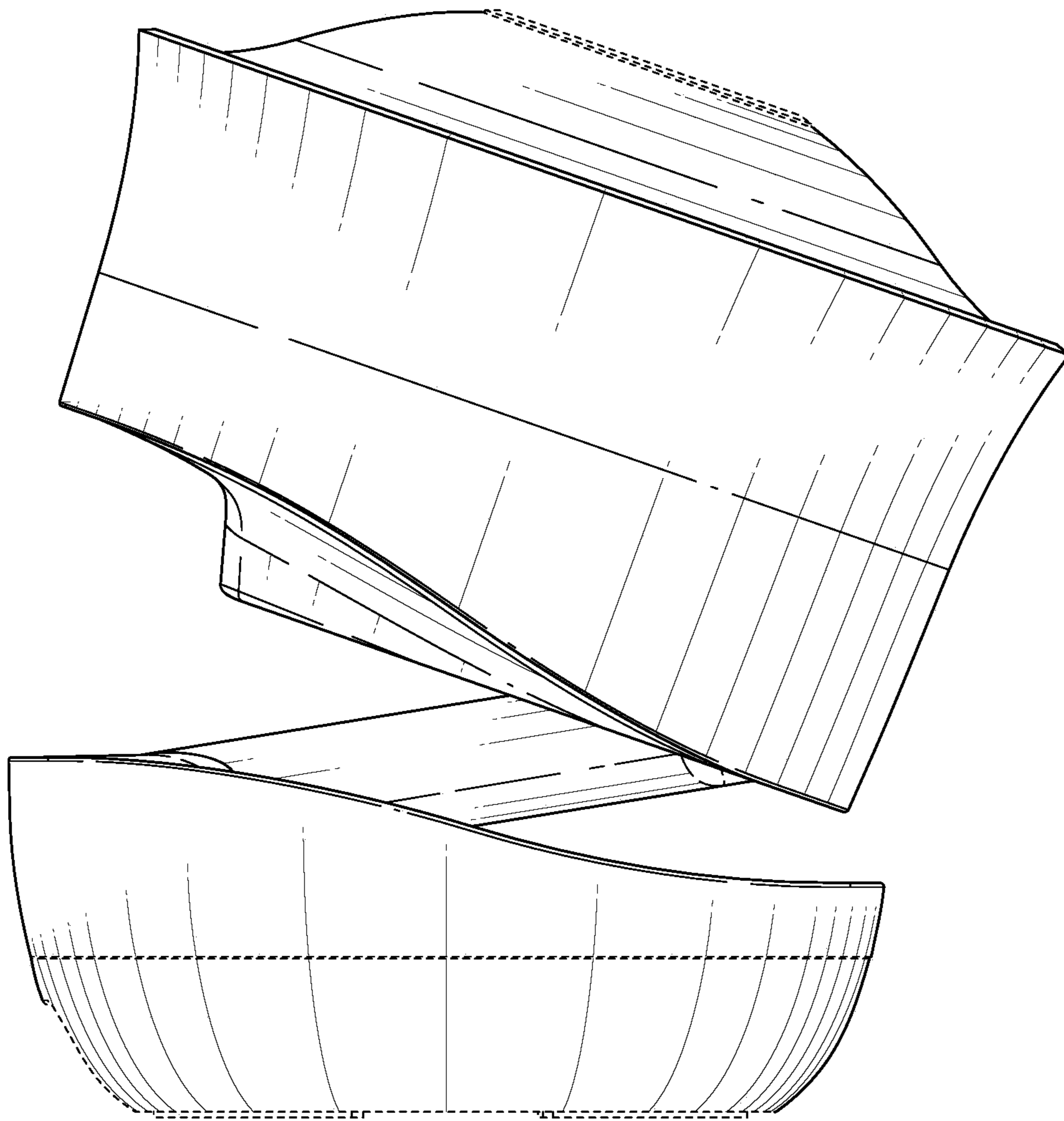


FIG. 11

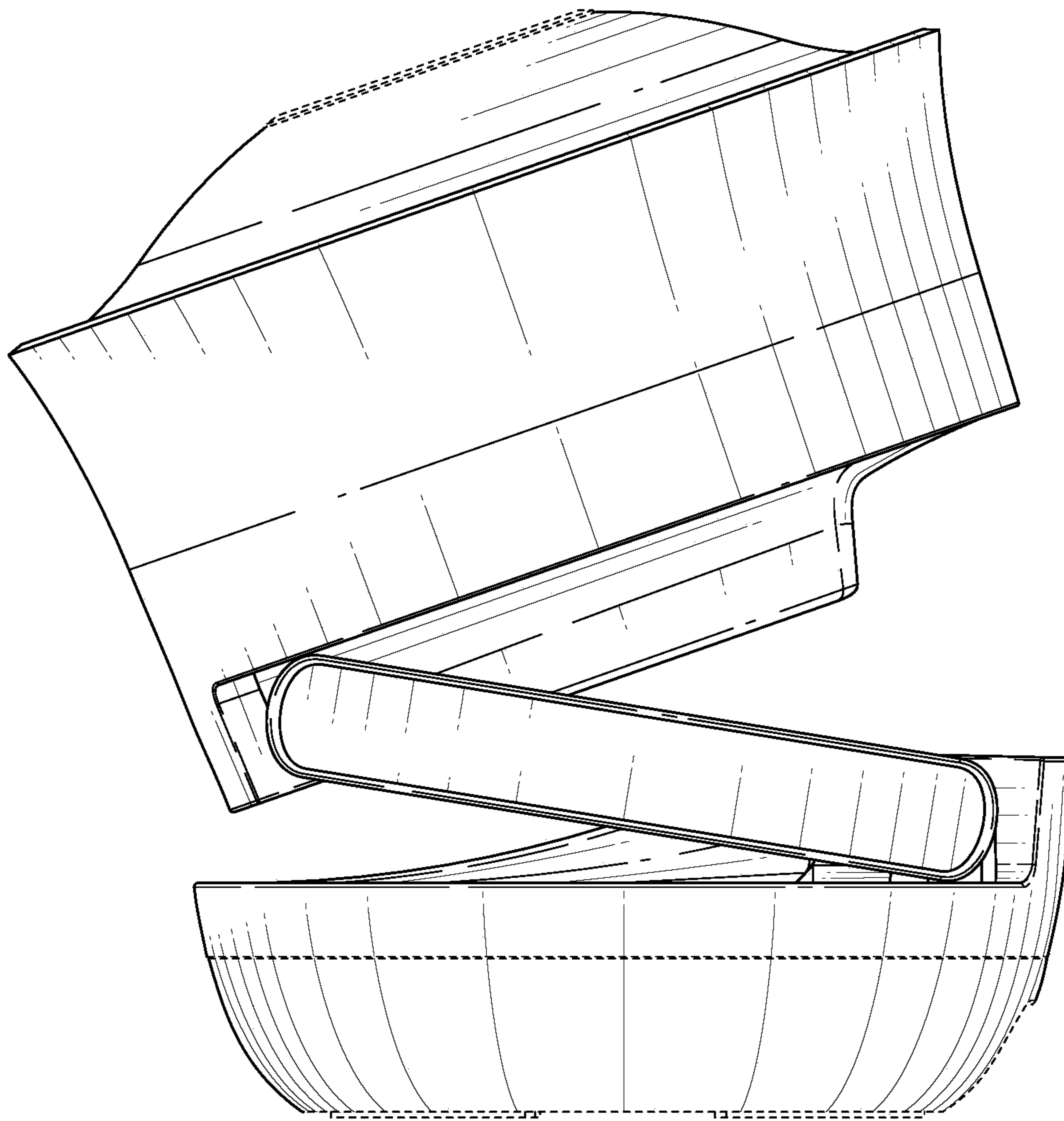


FIG. 12

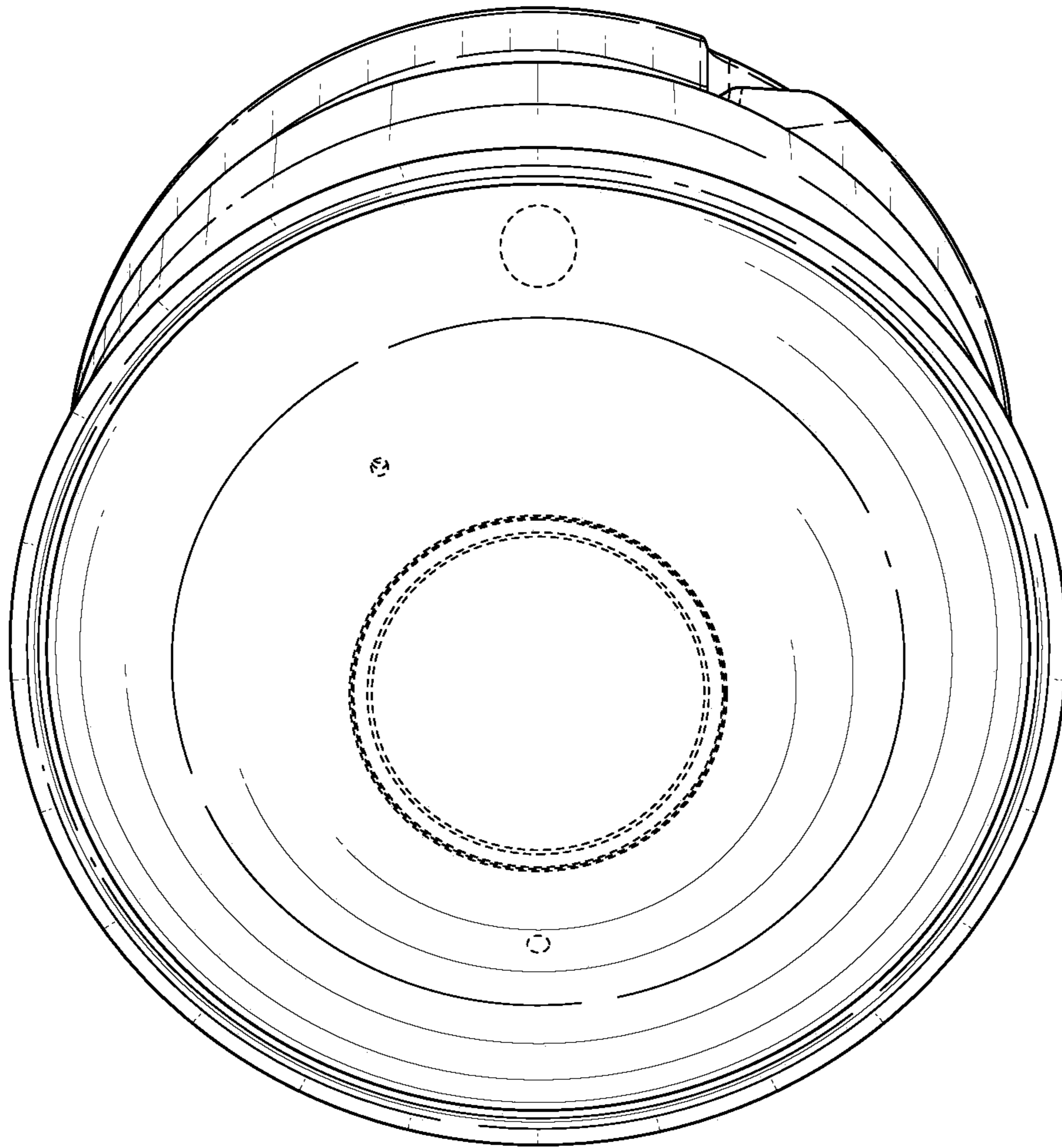


FIG. 13

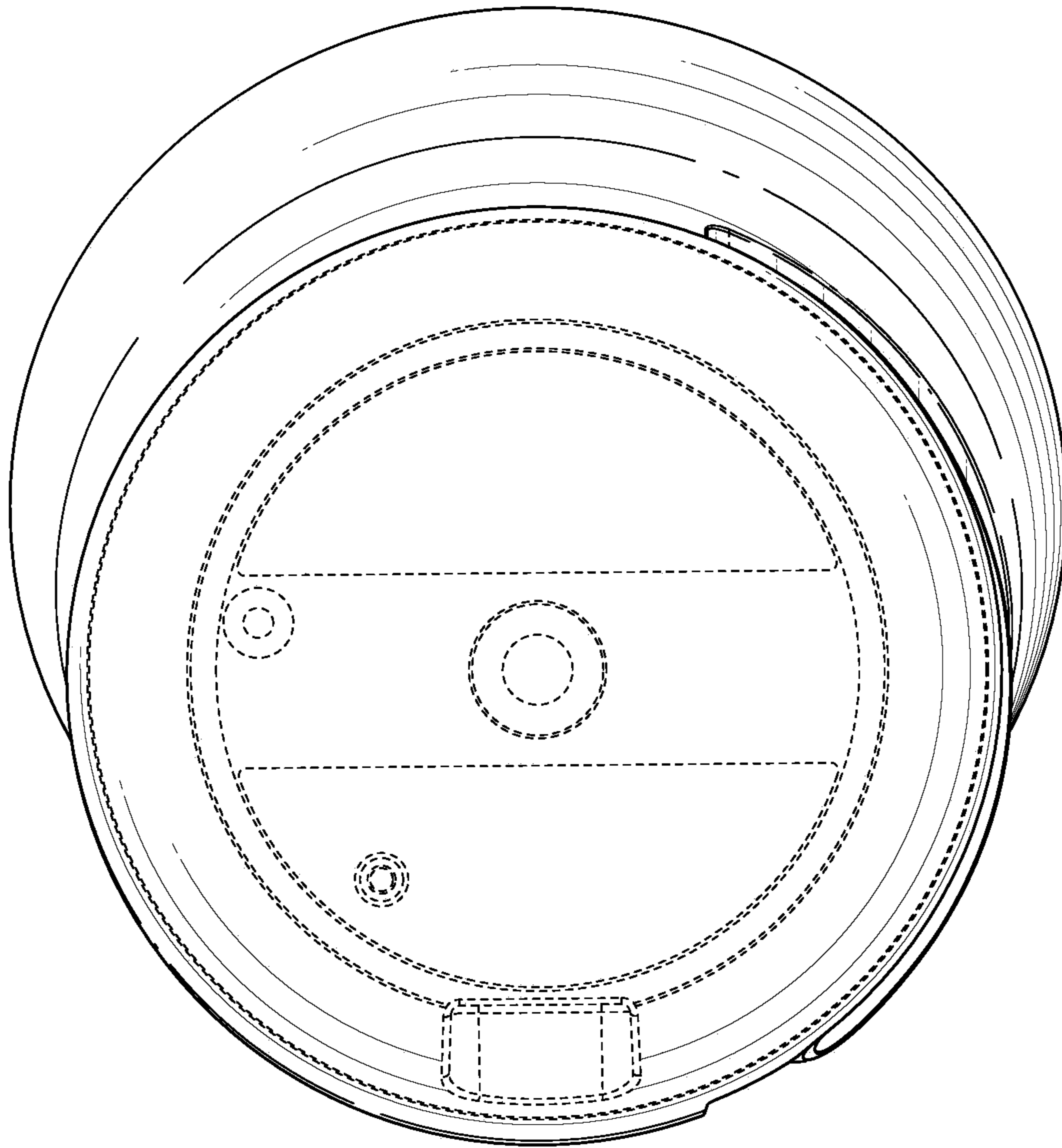


FIG. 14

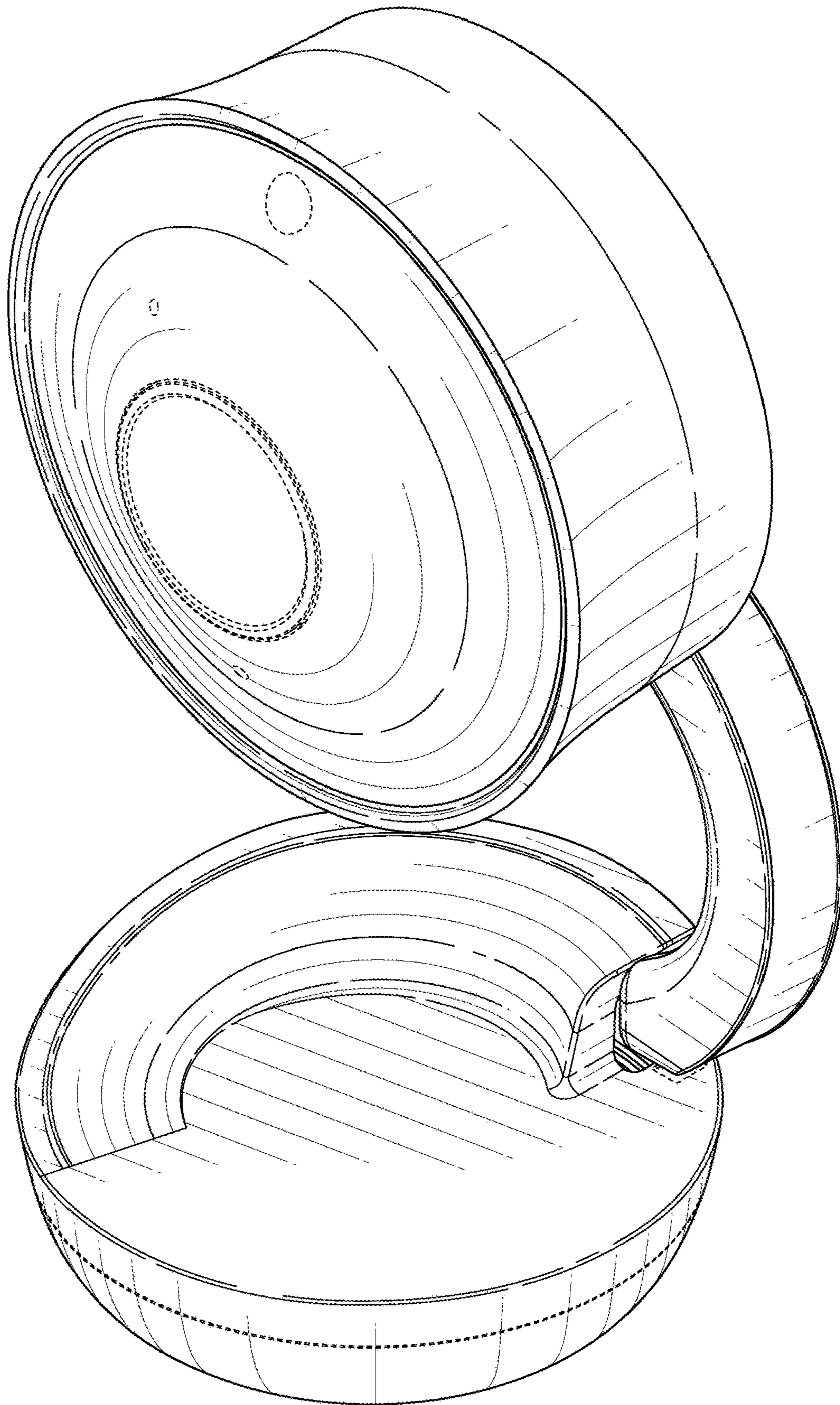


FIG. 15

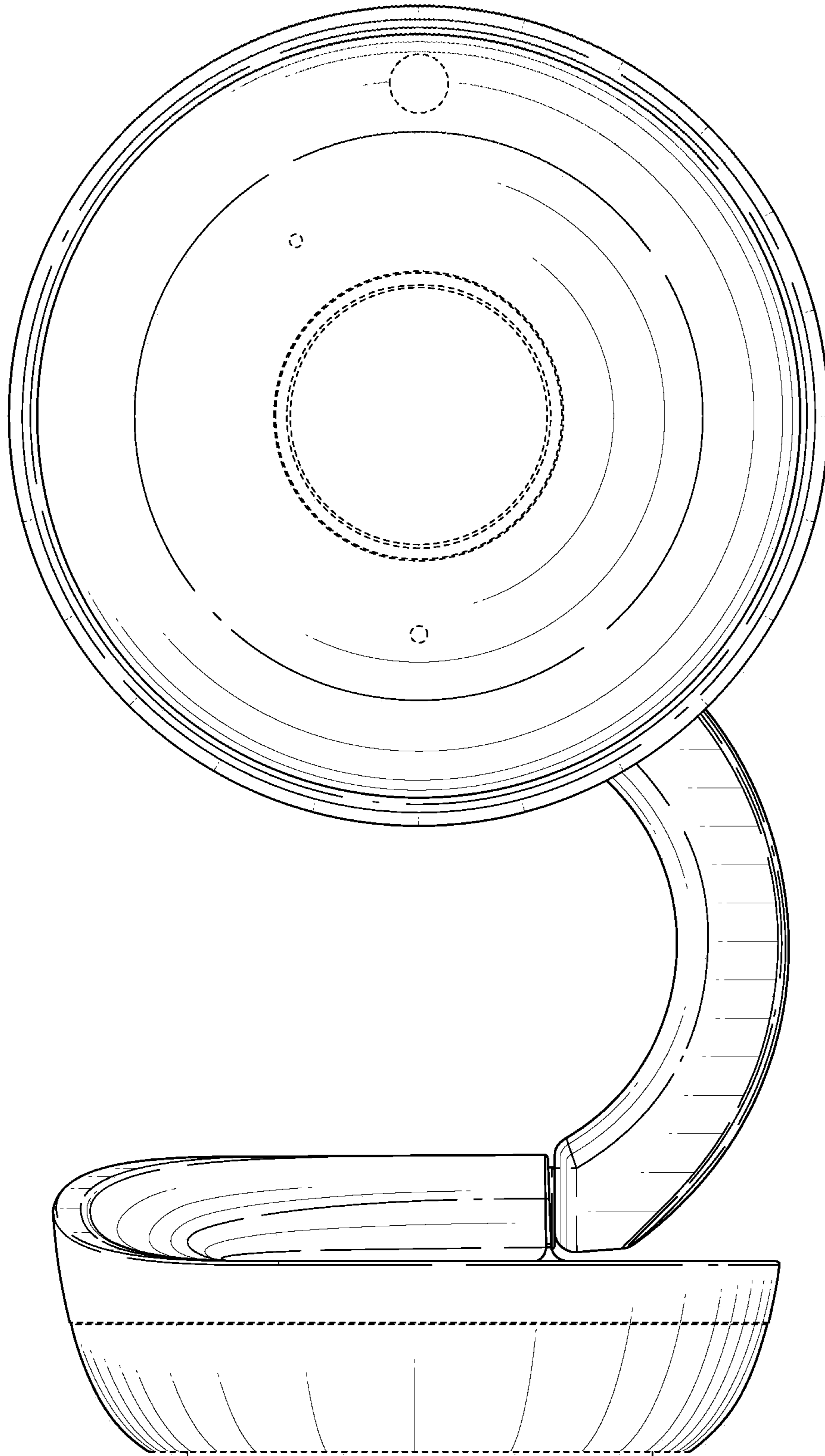


FIG. 16

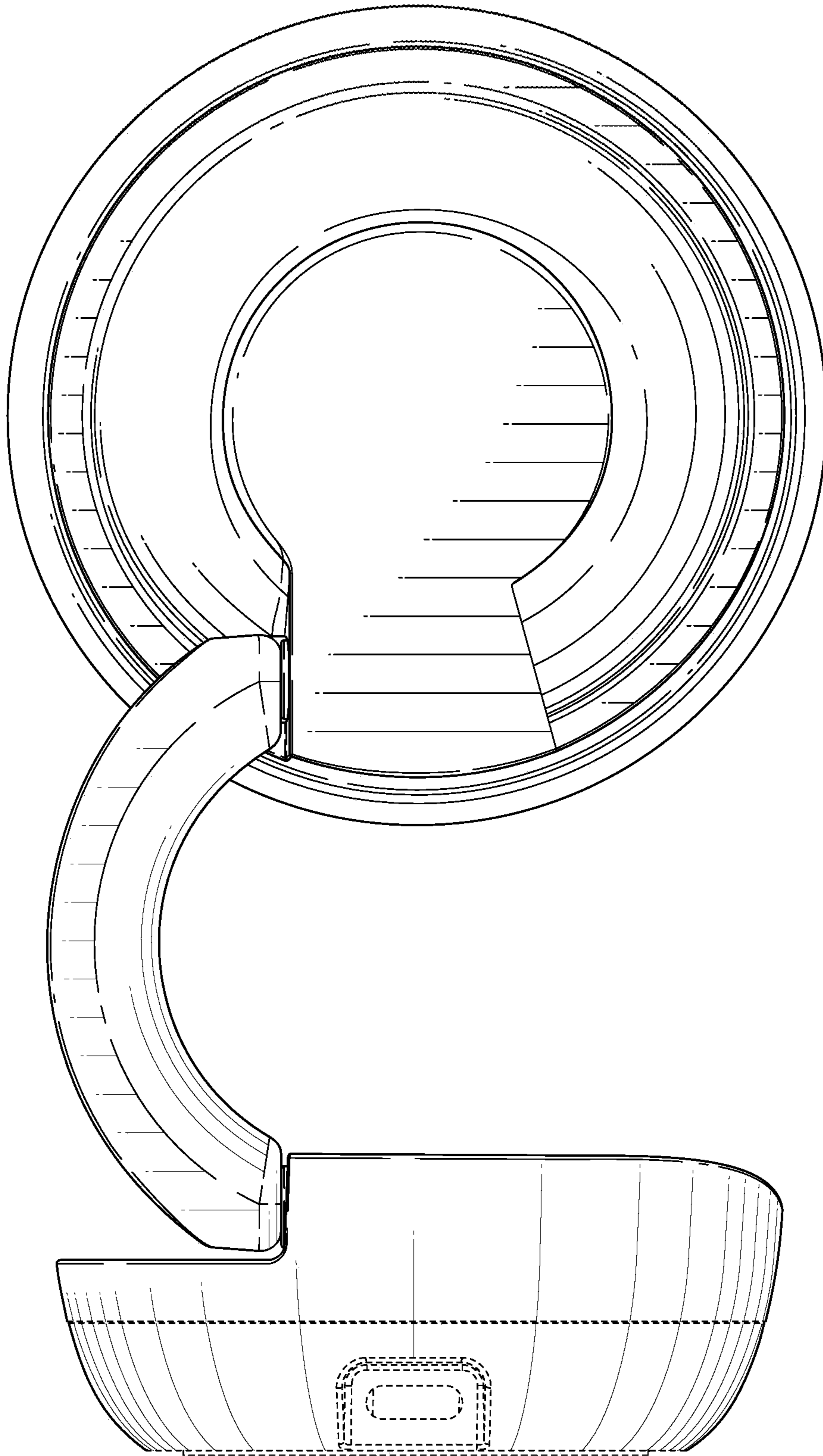


FIG. 17

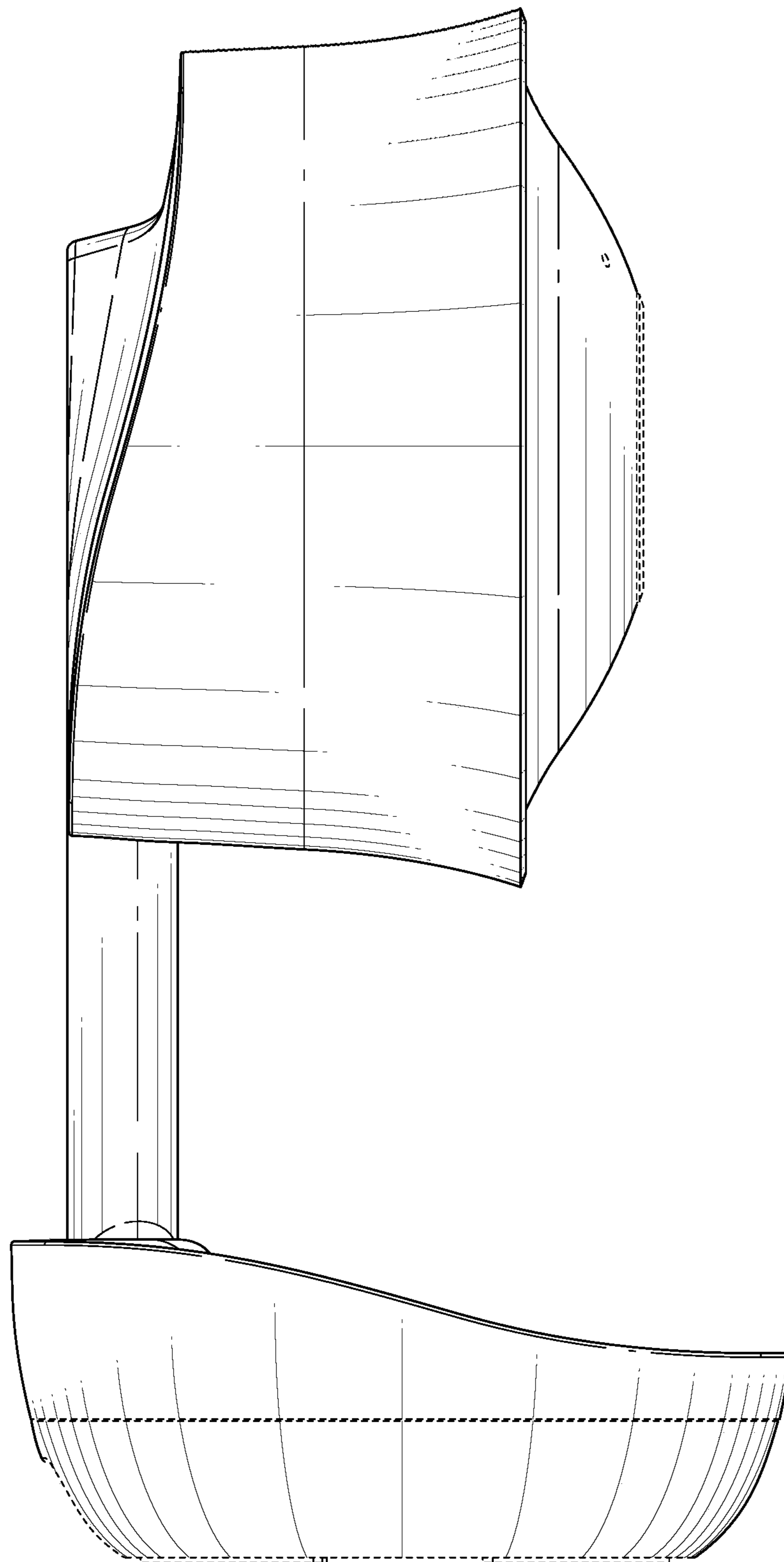


FIG. 18

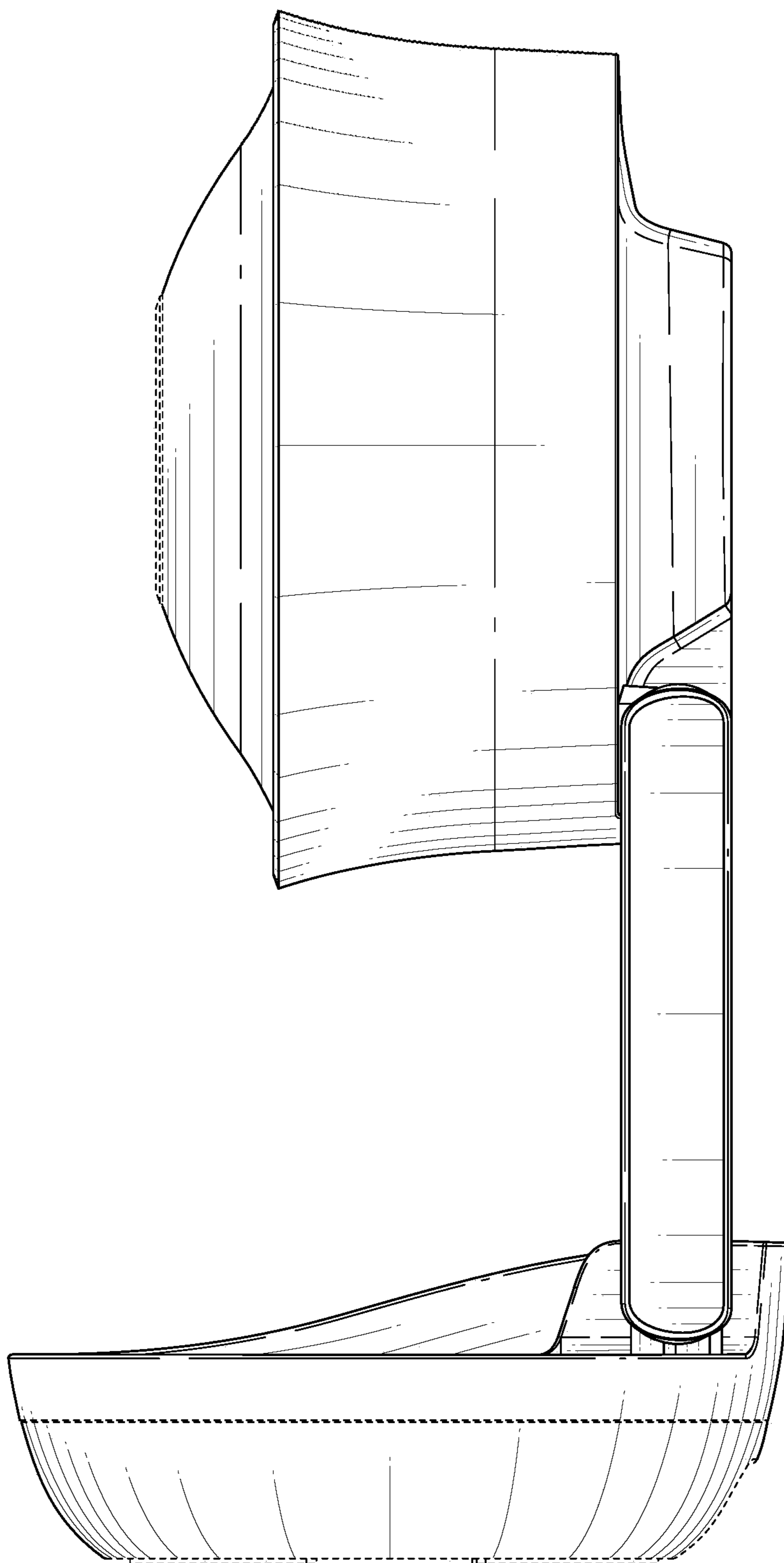


FIG. 19

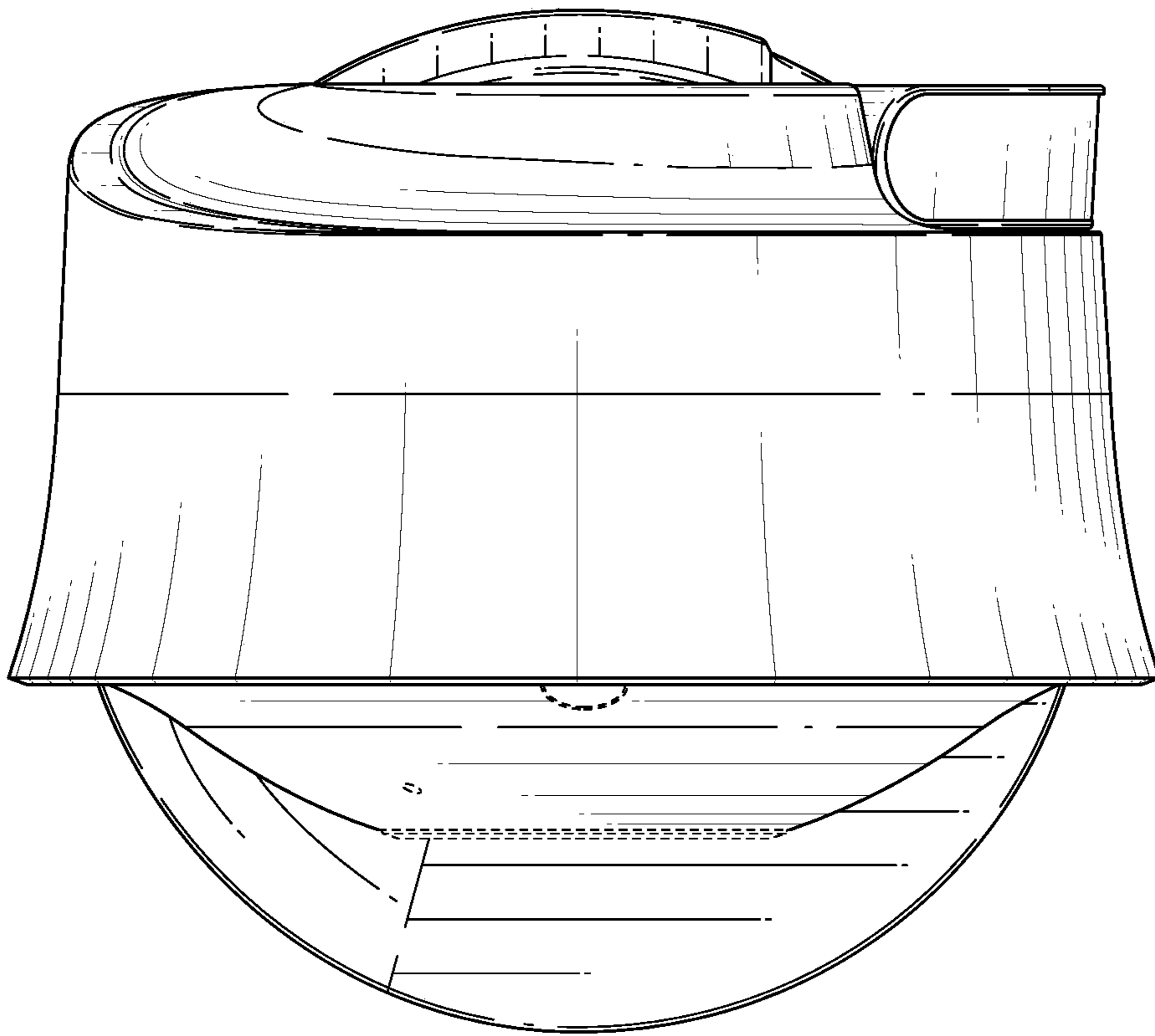


FIG. 20

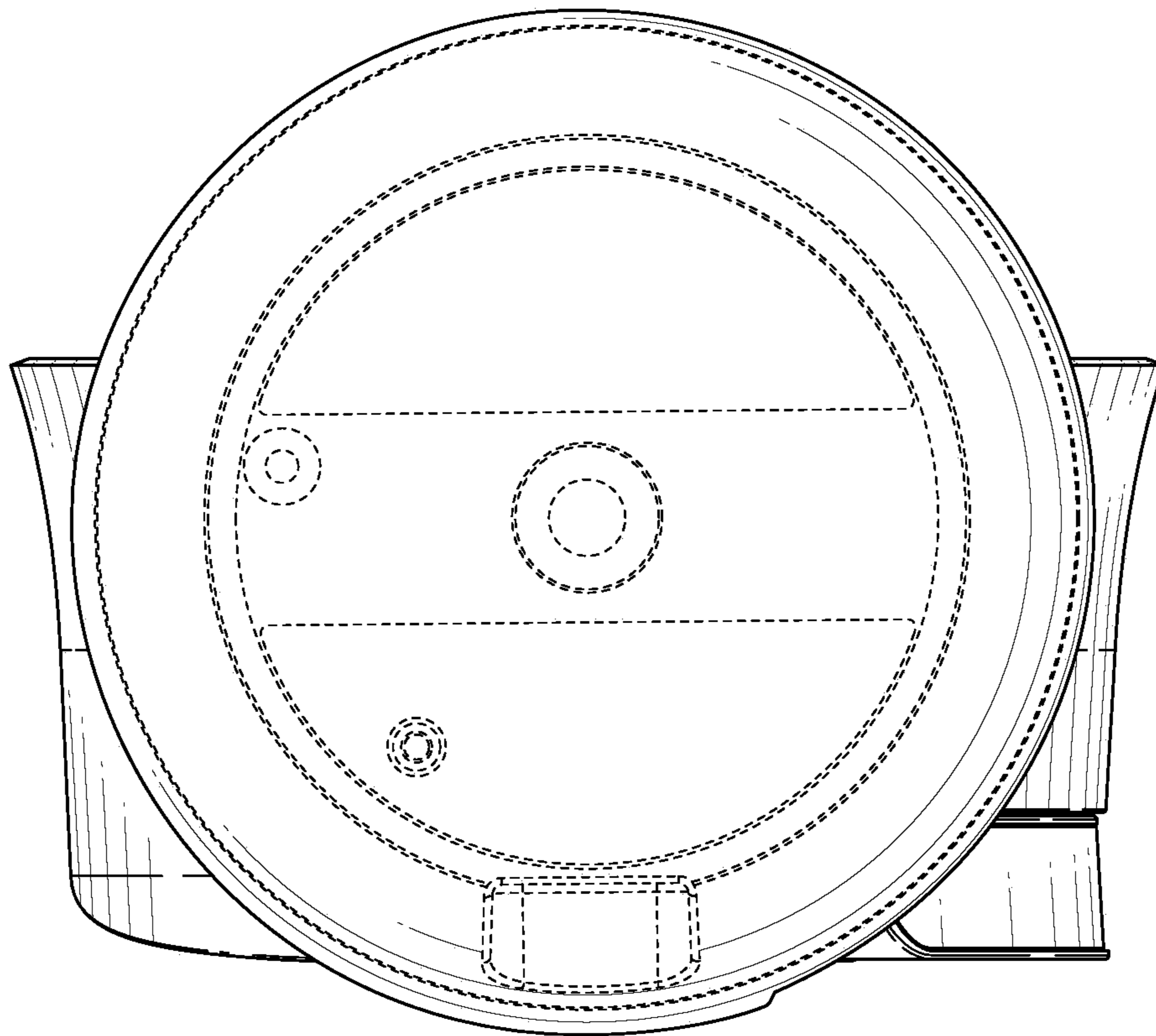


FIG. 21