

US00D934941S

(12) **United States Design Patent**  
**Cheng**

(10) **Patent No.:** **US D934,941 S**

(45) **Date of Patent:** **\*\* Nov. 2, 2021**

(54) **CAMERA**

(71) Applicant: **Zhiyong Cheng**, Shenzhen (CN)

(72) Inventor: **Zhiyong Cheng**, Shenzhen (CN)

(73) Assignee: **Shenzhen Fujikam Industry Development Co., Ltd**, Shenzhen (CN)

(\*\*) Term: **15 Years**

(21) Appl. No.: **29/745,411**

(22) Filed: **Aug. 5, 2020**

(30) **Foreign Application Priority Data**

Jul. 15, 2020 (CN) ..... 202030384383.3

(51) **LOC (13) Cl.** ..... **16-01**

(52) **U.S. Cl.**  
USPC ..... **D16/203**

(58) **Field of Classification Search**  
USPC ..... D16/200, 202-206, 218, 219, 242;  
348/143, 148, 151, 373-376; 396/419,  
396/427, 535, 539-541  
CPC ..... G03B 17/02; G03B 19/04; G03B 17/56;  
G03B 17/04; G03B 15/03; H04N 5/2251;  
H04N 5/2252; H04N 5/2253; H04N  
5/2254; H04N 7/181; H04N 7/183; H04N  
7/18; G08B 13/1963; G08B 13/19619;  
G08B 13/19632; F16M 11/04; F16M  
13/00

See application file for complete search history.

(56) **References Cited**

**U.S. PATENT DOCUMENTS**

D552,650 S \* 10/2007 Yamakawa ..... D16/203  
D609,732 S \* 2/2010 Frank ..... D16/203

D704,240 S \* 5/2014 McBride ..... D16/203  
D723,395 S \* 3/2015 Dispenza ..... D10/53  
D751,619 S \* 3/2016 Jeong ..... D16/203  
D753,204 S \* 4/2016 Luo ..... D16/202  
D813,926 S \* 3/2018 Shin ..... D16/203  
D867,425 S \* 11/2019 Shuai ..... D16/203  
D870,180 S \* 12/2019 Qiu ..... D16/203  
D883,357 S \* 5/2020 Moon ..... D16/203  
D884,768 S \* 5/2020 Liu ..... D16/203  
D890,831 S \* 7/2020 Zheng ..... D16/203  
D891,502 S \* 7/2020 Kan ..... D16/203  
D898,097 S \* 10/2020 Ravat ..... D16/203  
D900,907 S \* 11/2020 Zhou ..... D16/203  
D901,572 S \* 11/2020 Wang ..... D16/203  
D902,975 S \* 11/2020 Zhong ..... D16/203  
D911,413 S \* 2/2021 Yamazaki ..... D16/202

\* cited by examiner

*Primary Examiner* — Ramzi Almatrahi

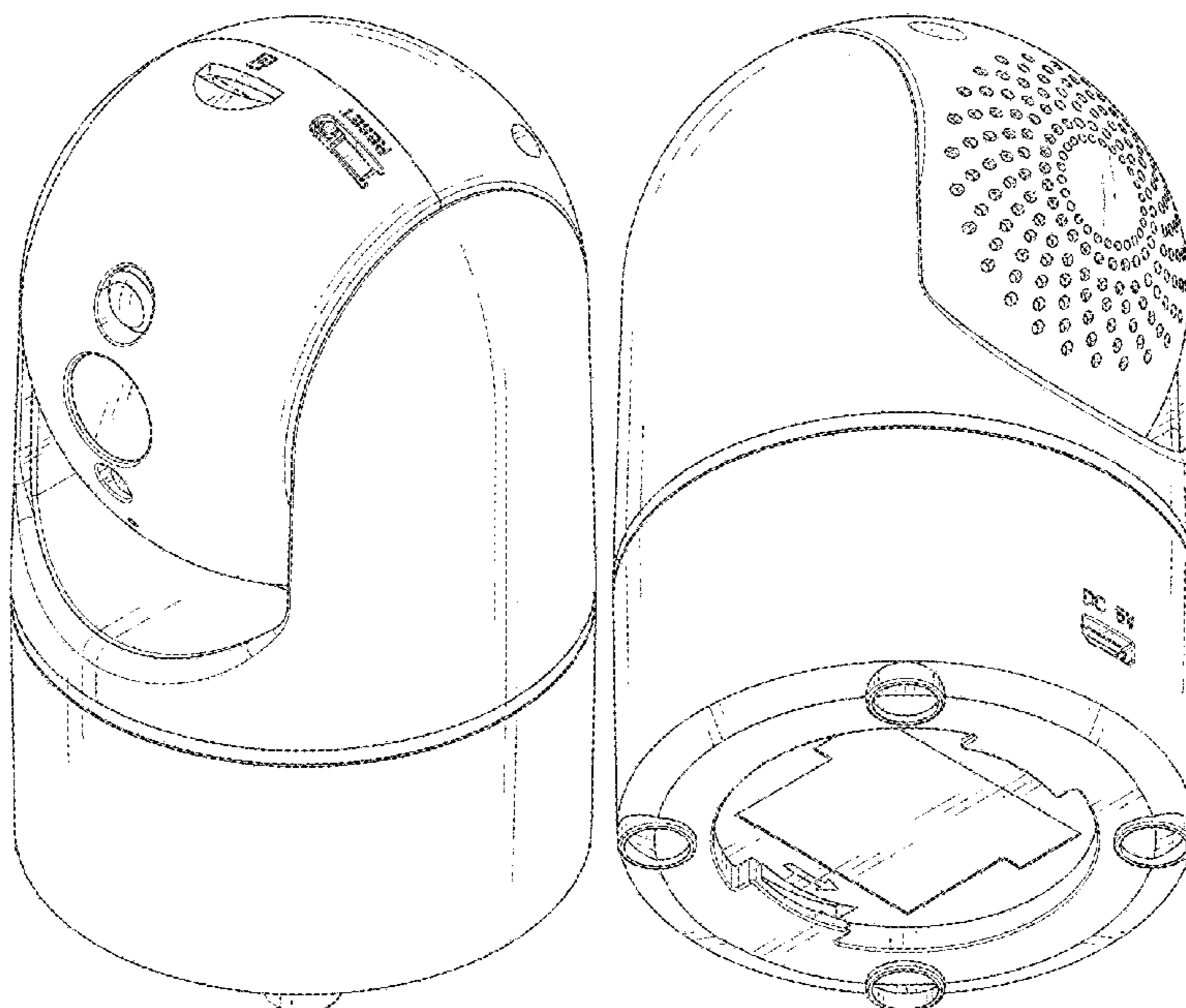
(57) **CLAIM**

The ornamental design for a camera, as shown and described.

**DESCRIPTION**

FIG. 1 is a top perspective view of a camera showing my new design;  
FIG. 2 is a front view thereof;  
FIG. 3 is a rear view thereof;  
FIG. 4 is a left view thereof;  
FIG. 5 is a right view thereof;  
FIG. 6 is a top view thereof;  
FIG. 7 is a bottom view thereof; and,  
FIG. 8 is a bottom perspective view thereof.  
The broken lines depict portions of the camera in which the design is embodied that form no part of the claimed design.

**1 Claim, 8 Drawing Sheets**



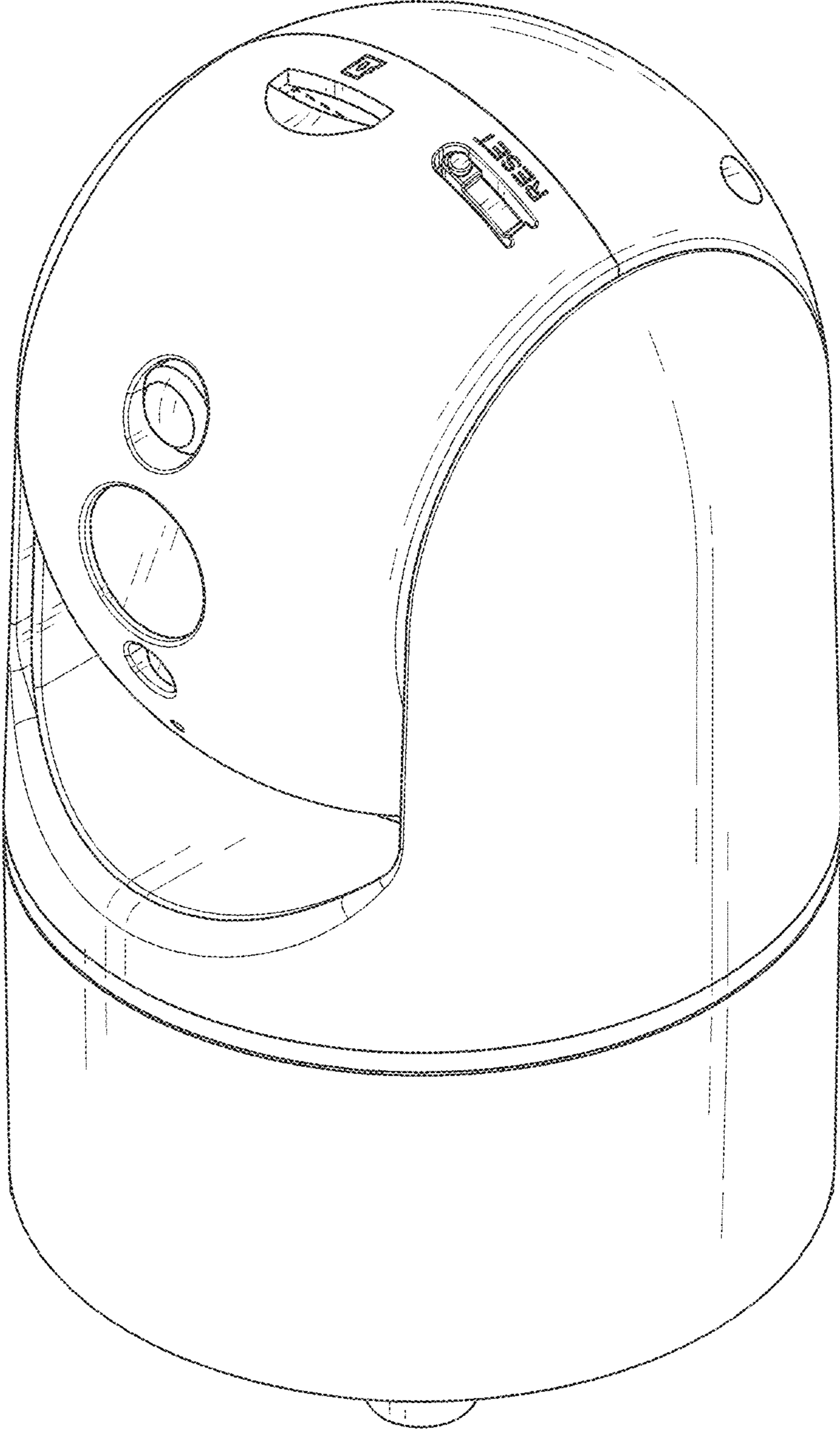


FIG. 1

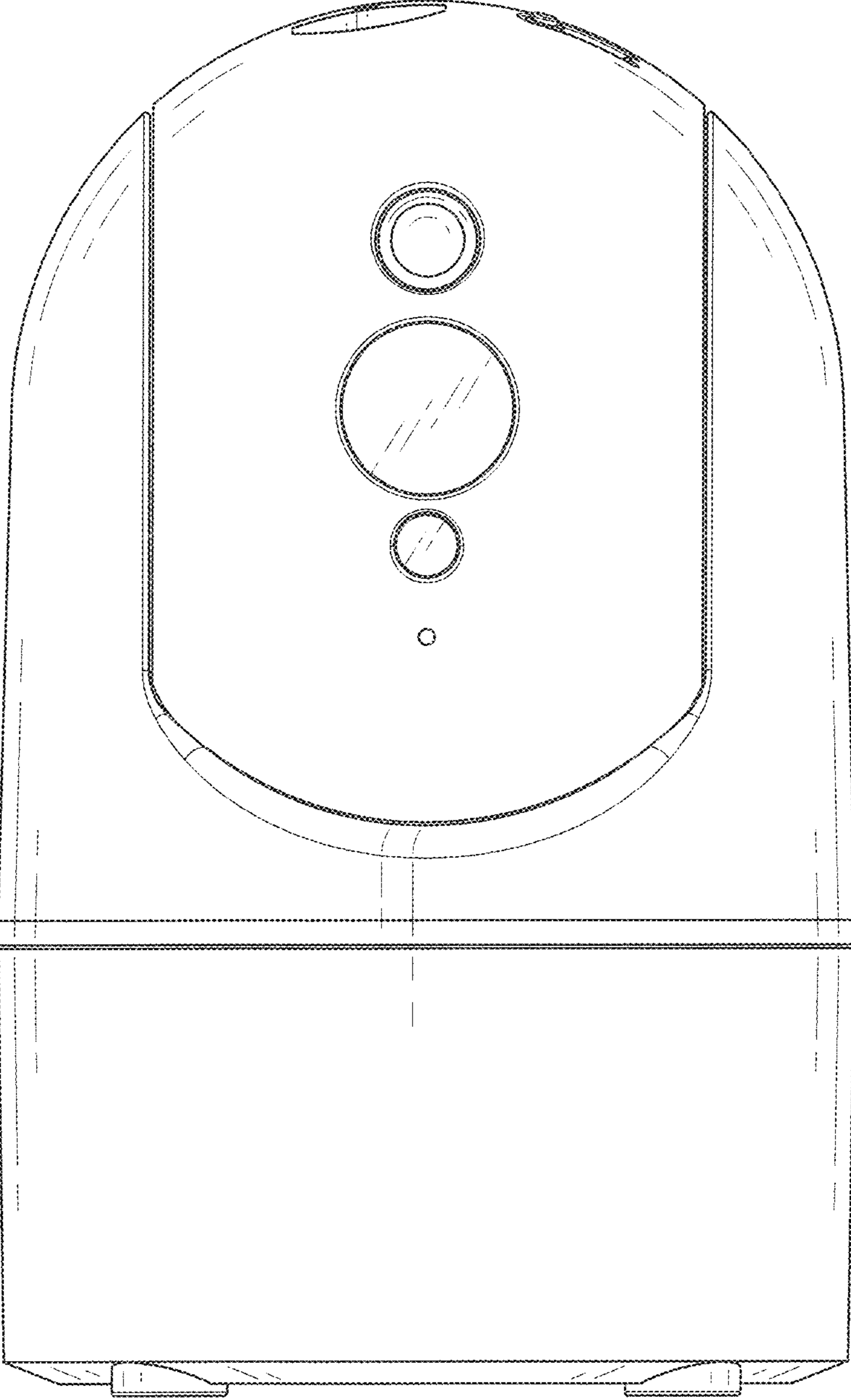


FIG. 2

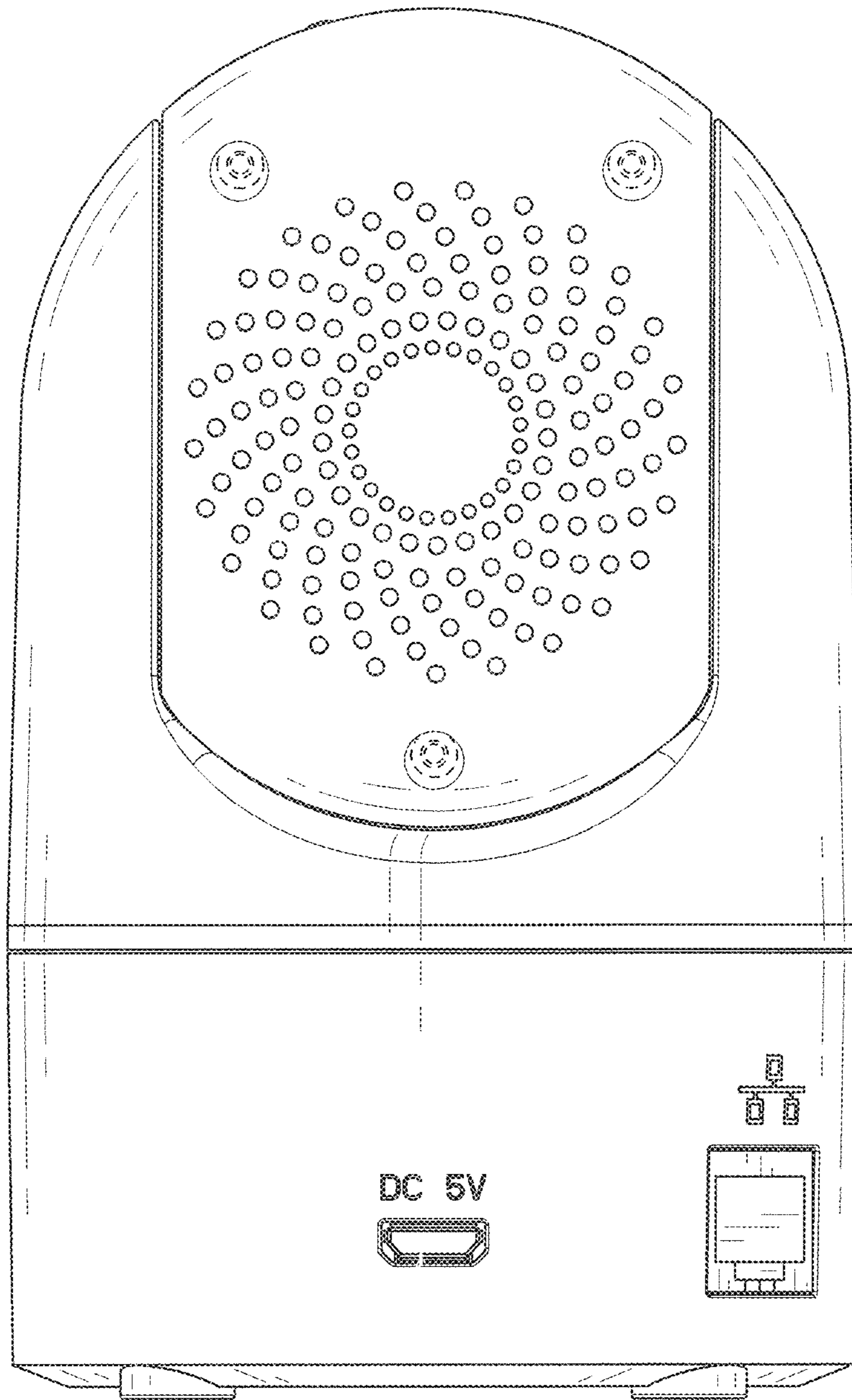


FIG. 3

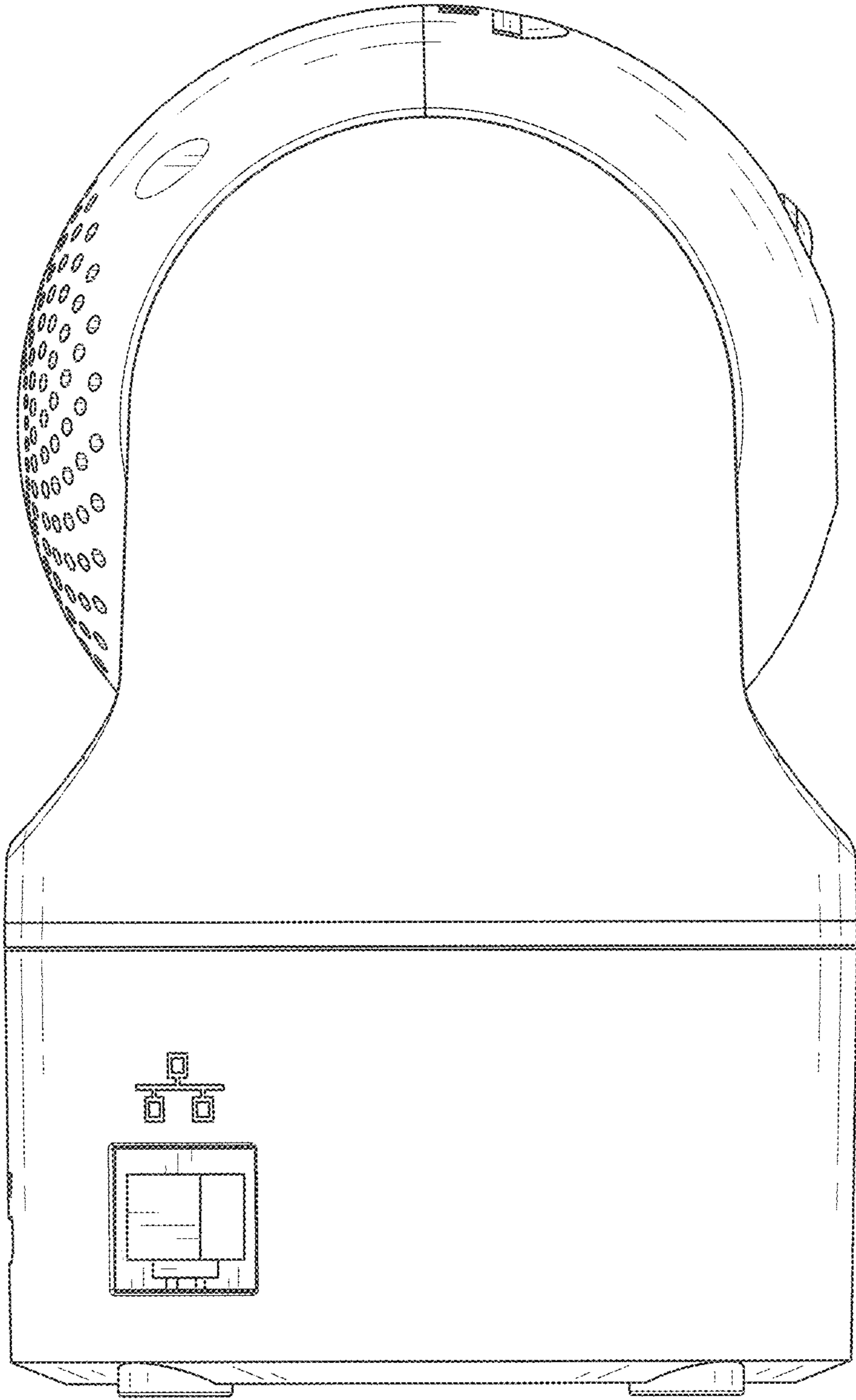


FIG. 4

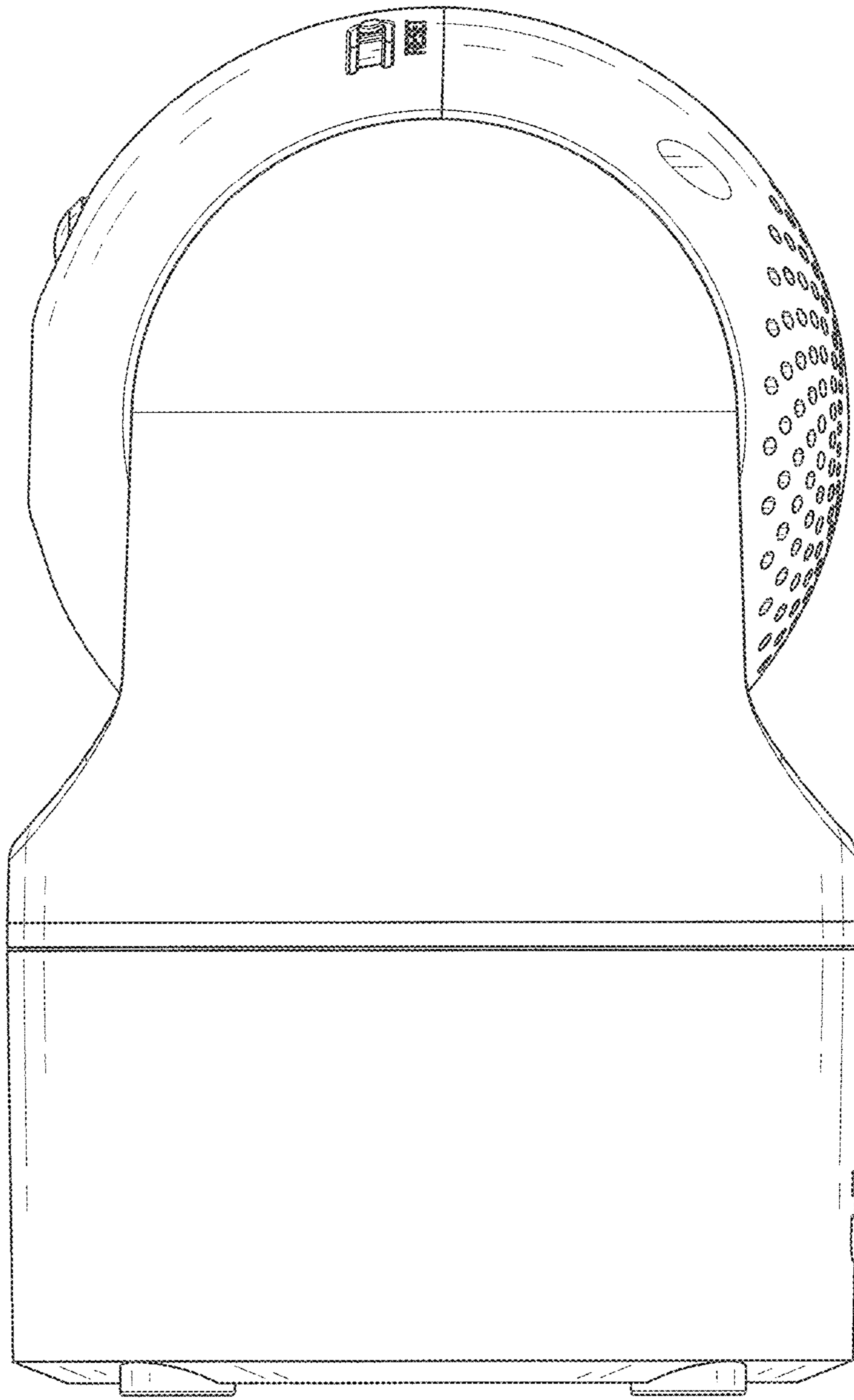


FIG. 5

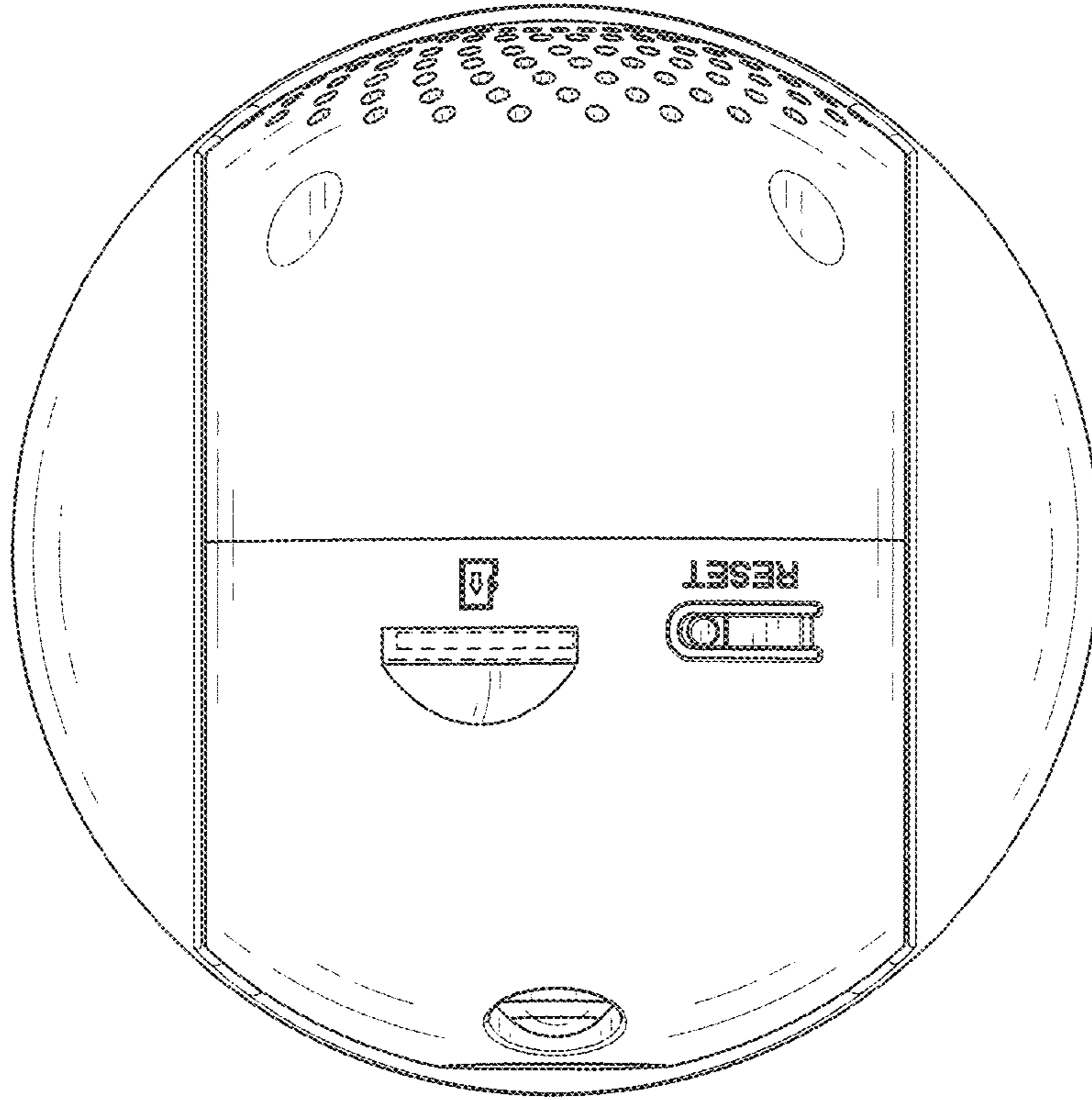


FIG. 6

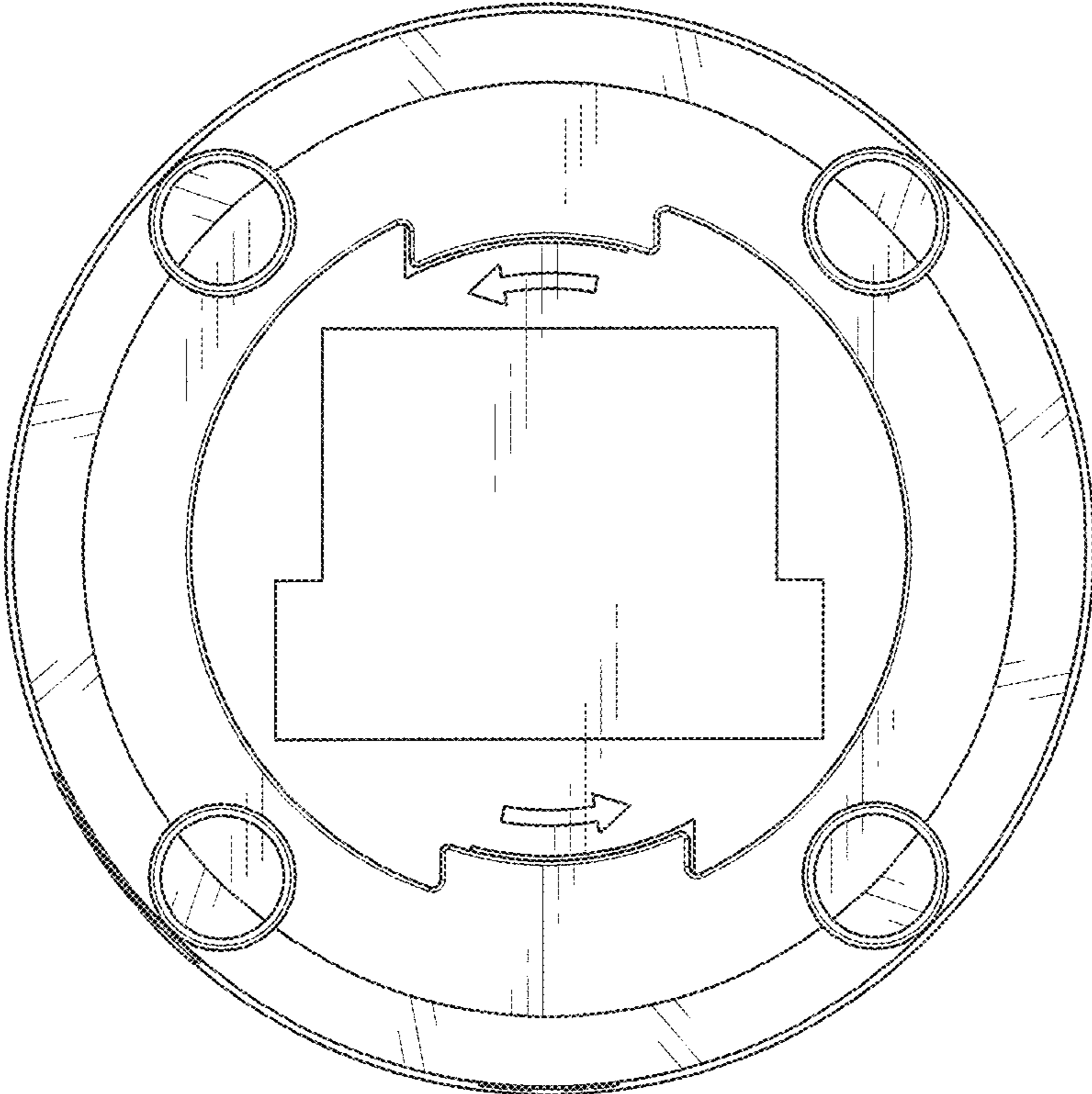


FIG. 7



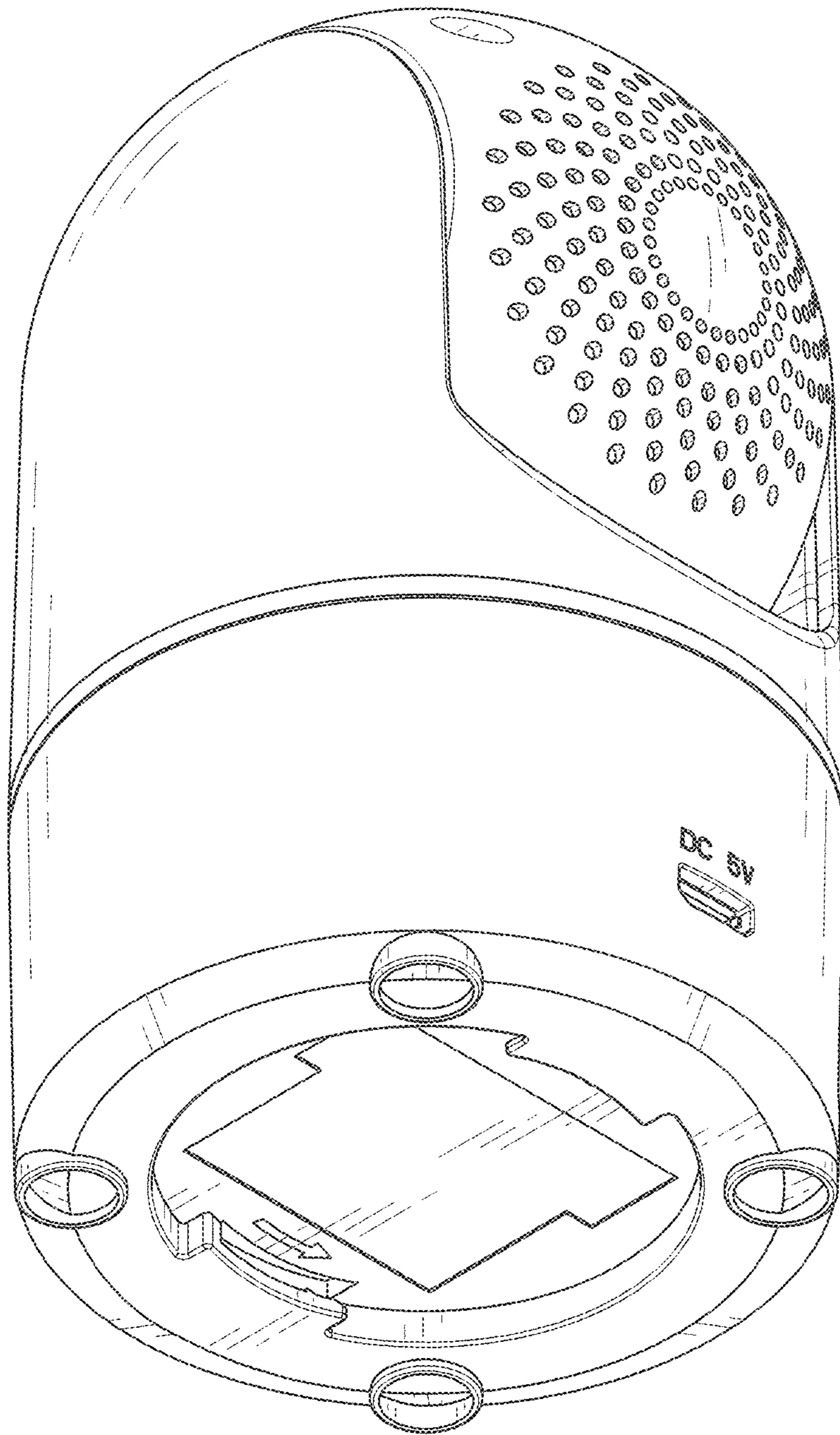


FIG. 8