



US00D934940S

(12) **United States Design Patent** (10) **Patent No.:** **US D934,940 S**
Wen et al. (45) **Date of Patent:** **** Nov. 2, 2021**

(54) **CAMERA**

(71) Applicant: **BOYAN TECHNOLOGIES (SHENZHEN) CO., LTD**, Shenzhen (CN)
(72) Inventors: **Jiangtao Wen**, Shenzhen (CN); **Yuxing Han**, Shenzhen (CN); **Zhong Bao**, Shenzhen (CN)
(73) Assignee: **BOYAN TECHNOLOGIES (SHENZHEN) CO., LTD**, Shenzhen (CN)

(**) Term: **15 Years**

(21) Appl. No.: **29/734,626**

(22) Filed: **May 14, 2020**

(30) **Foreign Application Priority Data**

Jan. 21, 2020 (CN) 202030043070.1

(51) **LOC (13) Cl.** **16-01**

(52) **U.S. Cl.**
USPC **D16/203**

(58) **Field of Classification Search**
USPC D16/200, 202-206, 218, 219, 242;
348/143, 148, 151, 373-376; 396/419,
396/427, 535, 539-541
CPC G03B 17/02; G03B 19/04; G03B 17/56;
G03B 17/04; G03B 15/03; H04N 5/2251;
H04N 5/2252; H04N 5/2253; H04N
5/2254; H04N 7/181; H04N 7/183; H04N
7/18; G08B 13/1963; G08B 13/19619;
G08B 13/19632; F16M 11/04; F16M
13/00

See application file for complete search history.

(56) **References Cited**

U.S. PATENT DOCUMENTS

D446,801 S *	8/2001	Adachi	D16/203
D563,450 S *	3/2008	Cheng	D16/200
D613,784 S *	4/2010	Wang	D16/203
D633,543 S *	3/2011	Park	D16/203
D686,267 S *	7/2013	Mihara	D16/202
D732,100 S *	6/2015	Jeong	D16/203
D732,597 S *	6/2015	Celler	D16/203
D739,888 S *	9/2015	Liang	D16/203
D744,022 S *	11/2015	Petty	D16/202
D874,534 S *	2/2020	Matsuo	D16/203
D875,157 S *	2/2020	Laurino	D16/203
D894,991 S *	9/2020	Park	D16/202
D896,297 S *	9/2020	Park	D16/203

* cited by examiner

Primary Examiner — Ramzi Almatrahi

(74) *Attorney, Agent, or Firm* — Tucker Ellis LLP

(57) **CLAIM**

The ornamental design for a camera, as shown and described.

DESCRIPTION

FIG. 1 is a perspective view of a camera showing our new design;
FIG. 2 is a front view thereof;
FIG. 3 is a rear view thereof;
FIG. 4 is a left side view thereof;
FIG. 5 is a right side view thereof;
FIG. 6 is a top view thereof; and,
FIG. 7 is a bottom view thereof.

1 Claim, 5 Drawing Sheets





FIG. 1



FIG. 2

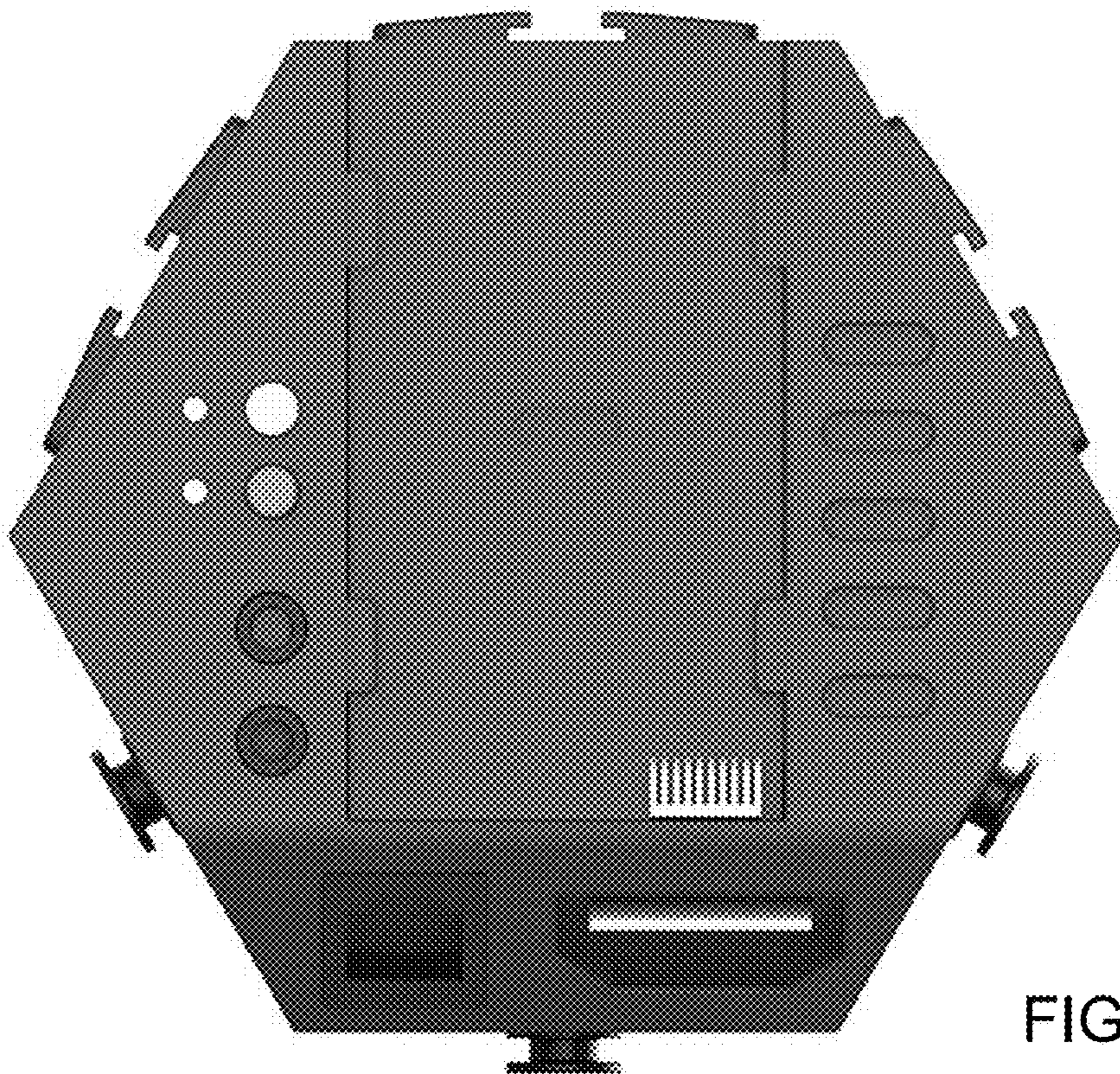


FIG. 3



FIG. 4



FIG. 5



FIG. 6



FIG. 7