



US00D934939S

(12) **United States Design Patent**
Ge

(10) **Patent No.:** **US D934,939 S**

(45) **Date of Patent:** **** Nov. 2, 2021**

(54) **CAMERA**

(71) Applicant: **SHENZHEN DELANDA TECHNOLOGY CO., LTD.**, Shenzhen (CN)

(72) Inventor: **Weiyun Ge**, Dongyang (CN)

(73) Assignee: **SHENZHEN DELANDA TECHNOLOGY CO., LTD.**, Shenzhen (CN)

(**) Term: **15 Years**

(21) Appl. No.: **29/735,847**

(22) Filed: **May 26, 2020**

(51) **LOC (13) Cl.** **16-01**

(52) **U.S. Cl.**
USPC **D16/202; D16/217**

(58) **Field of Classification Search**
USPC D16/200, 202–206, 208, 217, 218, 219;
348/373–376; 396/535, 539–541
CPC G03B 15/03; G03B 17/02; G03B 17/04;
G03B 17/56; G03B 19/04; H04N 5/2251;
H04N 5/2252; H04N 5/2253; H04N
5/2254; H04N 2101/00
See application file for complete search history.

(56) **References Cited**

U.S. PATENT DOCUMENTS

D528,580 S * 9/2006 Sumita D16/202
D567,835 S * 4/2008 Sumita D16/202

D594,892 S * 6/2009 Kamiya D16/202
D611,977 S * 3/2010 Kim D16/202
D630,661 S * 1/2011 Meguro D16/217
D671,583 S * 11/2012 Sakai D16/202
D690,756 S * 10/2013 Giugiaro D16/202
D706,849 S * 6/2014 Sakai D16/202
D724,131 S * 3/2015 Kim D16/219
D724,639 S * 3/2015 Noh D16/202
D736,846 S * 8/2015 Jang D16/217
D743,464 S * 11/2015 Noh D16/202
D749,658 S * 2/2016 Watanabe D16/202

* cited by examiner

Primary Examiner — Ramzi Almatrahi

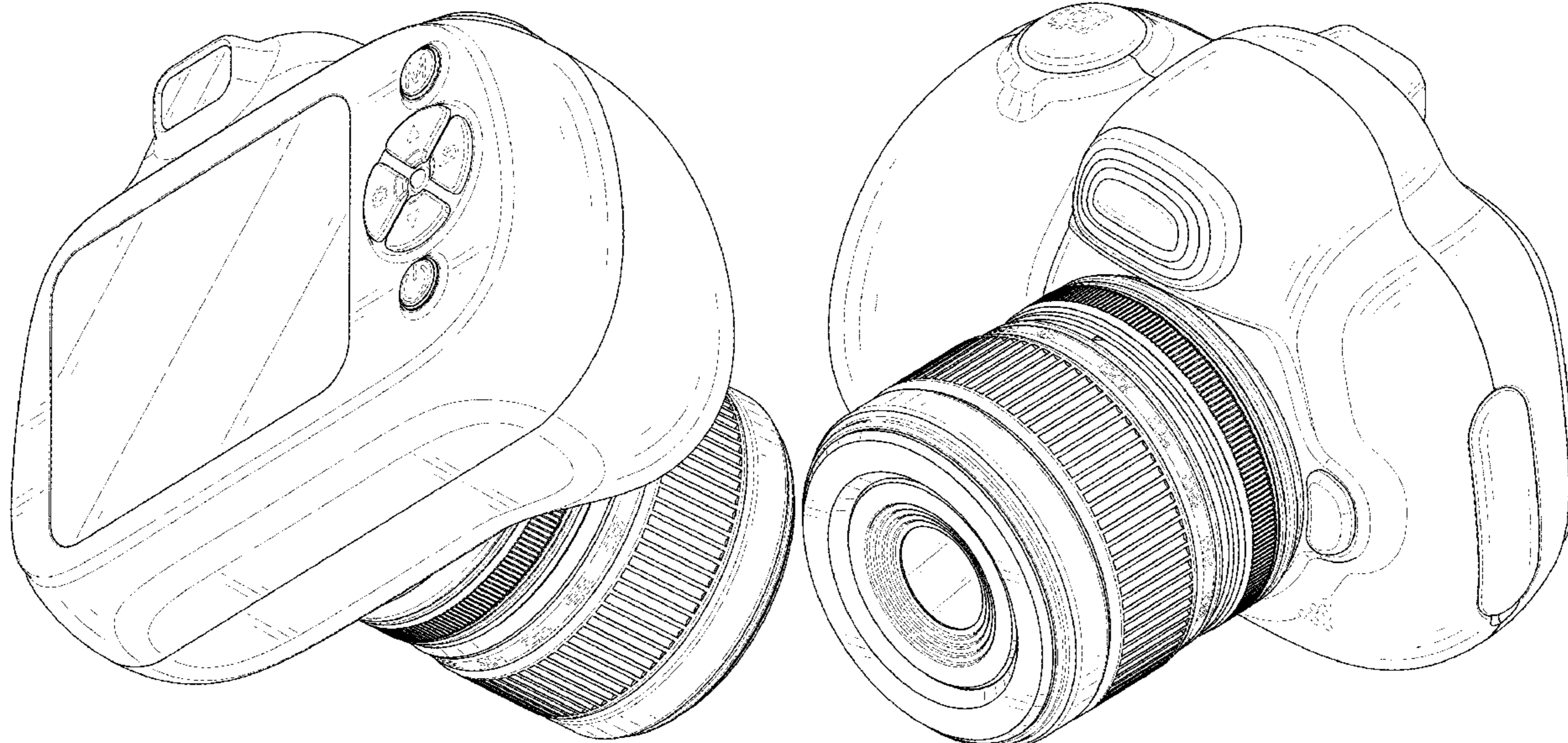
(57) **CLAIM**

The ornamental design for a camera, as shown and described.

DESCRIPTION

FIG. 1 is a bottom, front and right side perspective view of a camera showing my new design;
FIG. 2 is a top, rear and left side perspective view thereof;
FIG. 3 is a front elevational view thereof;
FIG. 4 is a rear elevational view thereof;
FIG. 5 is a left side elevational view thereof;
FIG. 6 is a right side elevational view thereof;
FIG. 7 is a top plan view thereof; and,
FIG. 8 is a bottom plan view thereof.
The broken lines in the drawings depict portions of the camera that form no part of the claimed design.

1 Claim, 8 Drawing Sheets



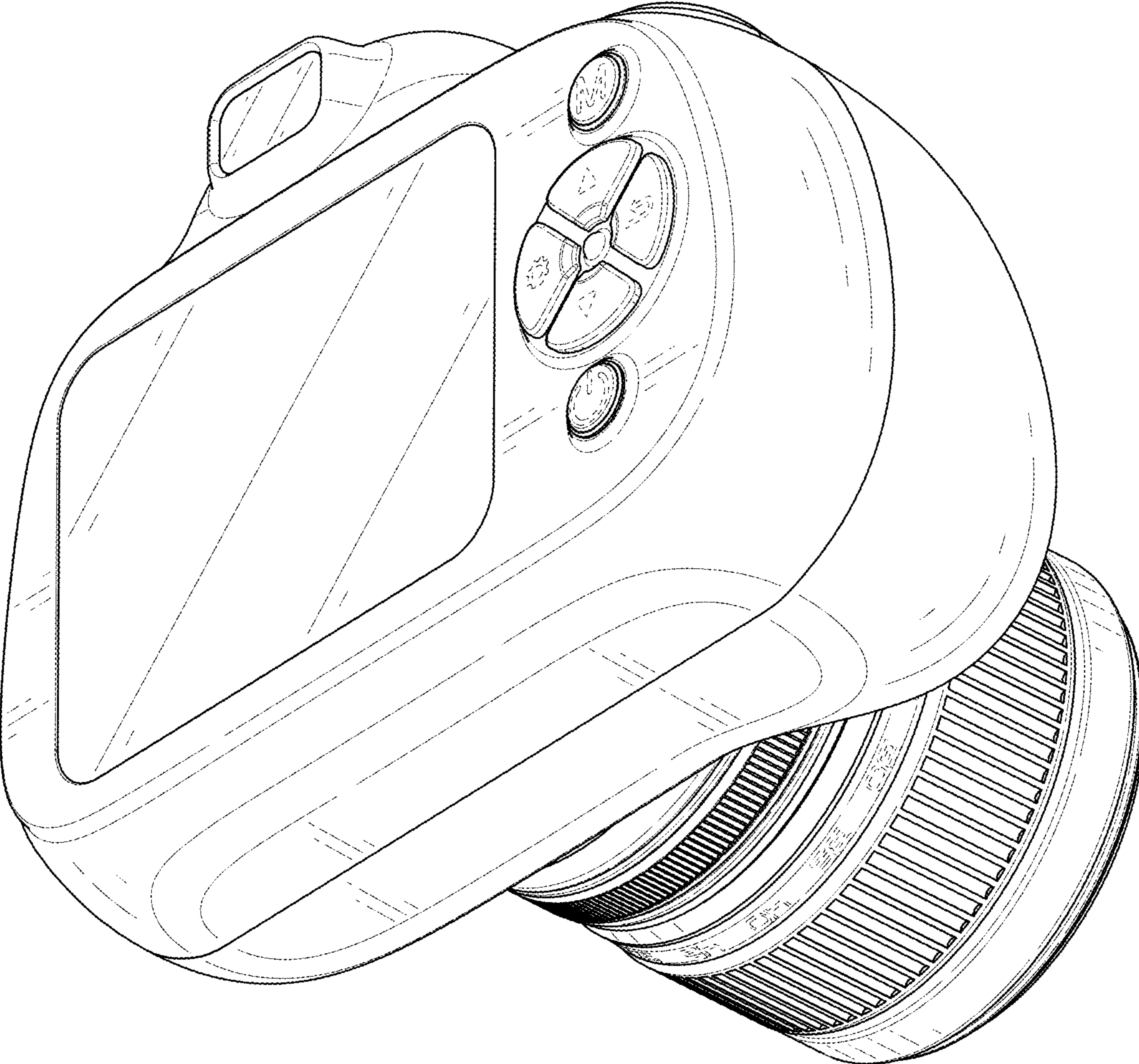


FIG. 1

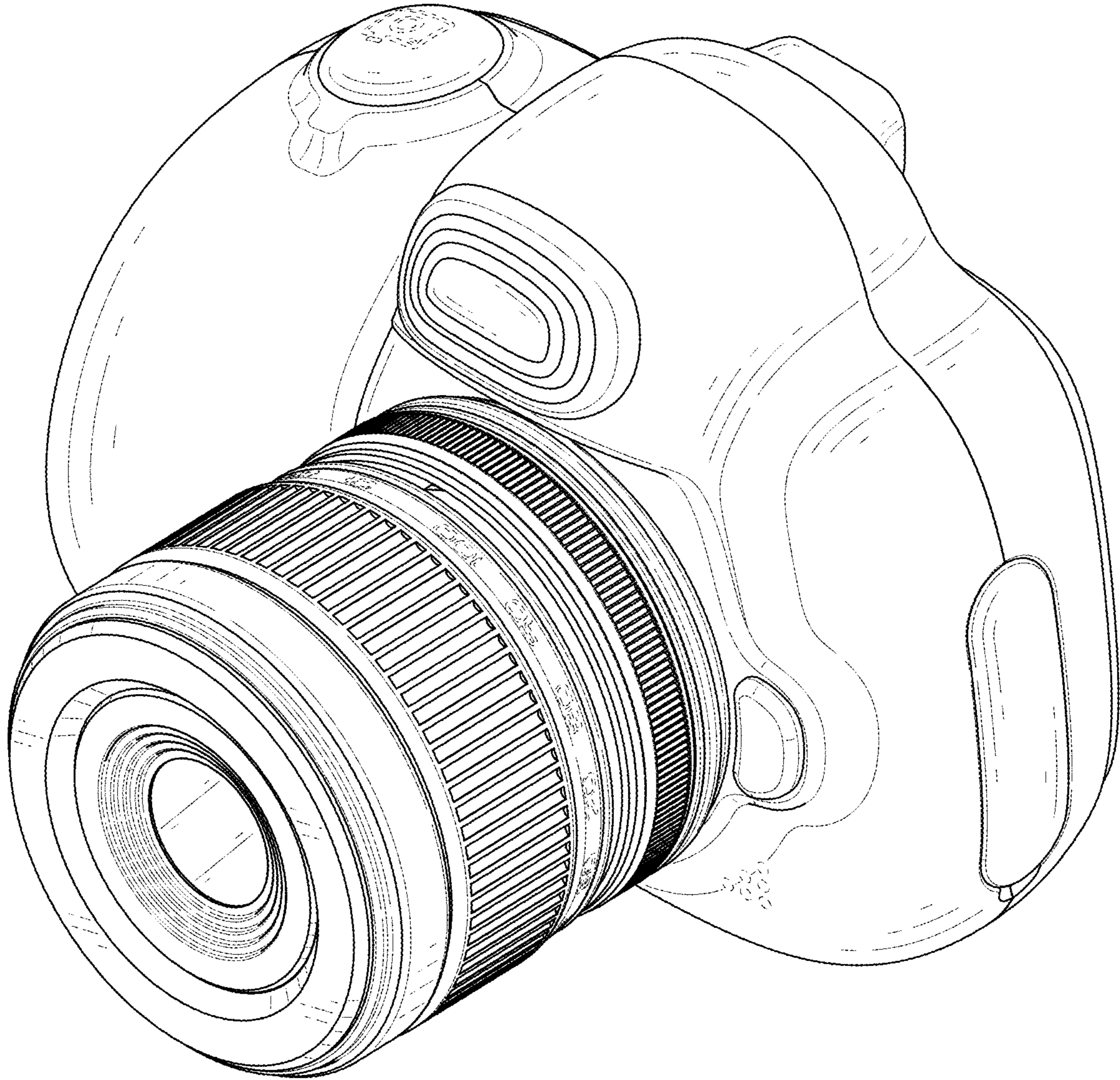


FIG. 2

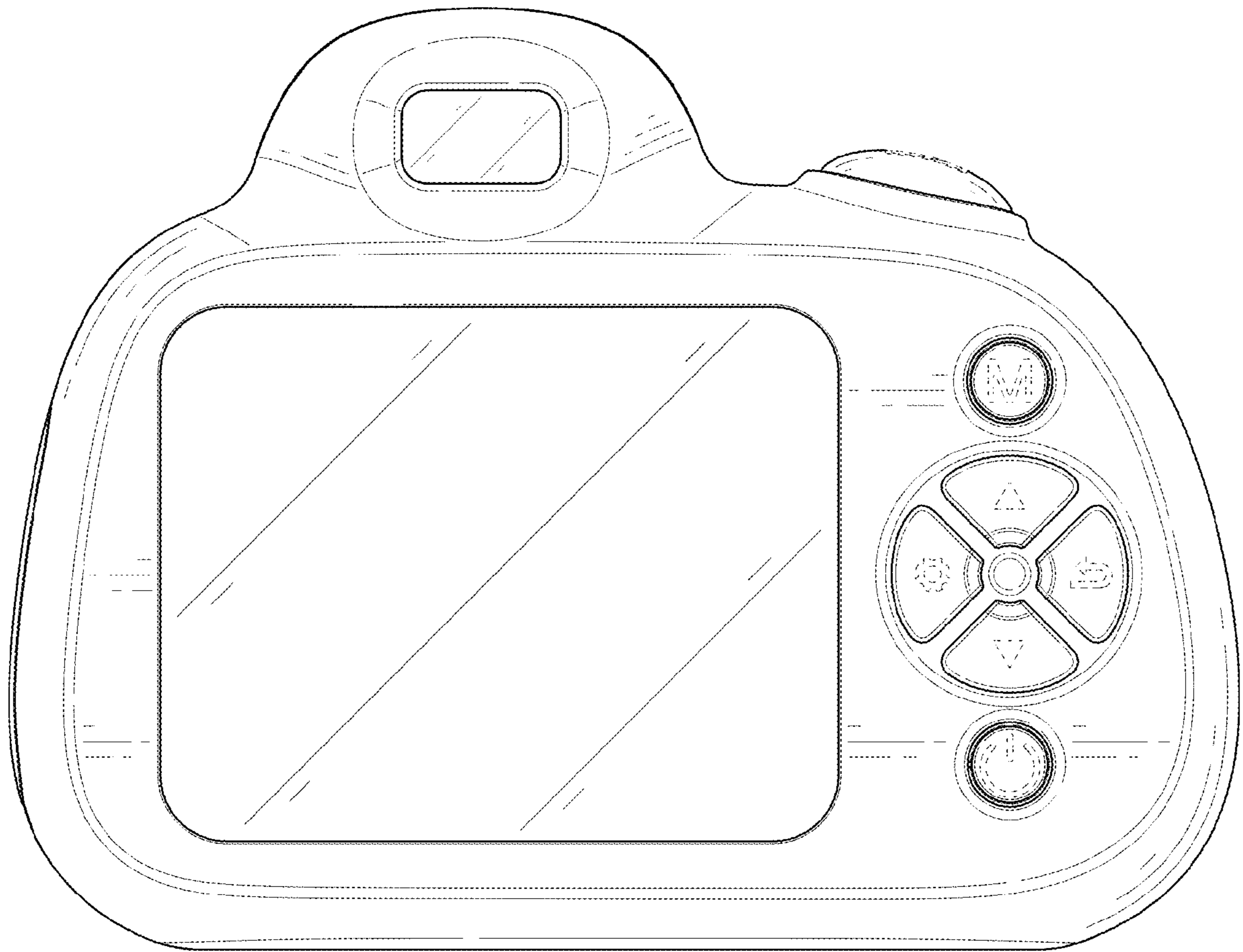


FIG. 3

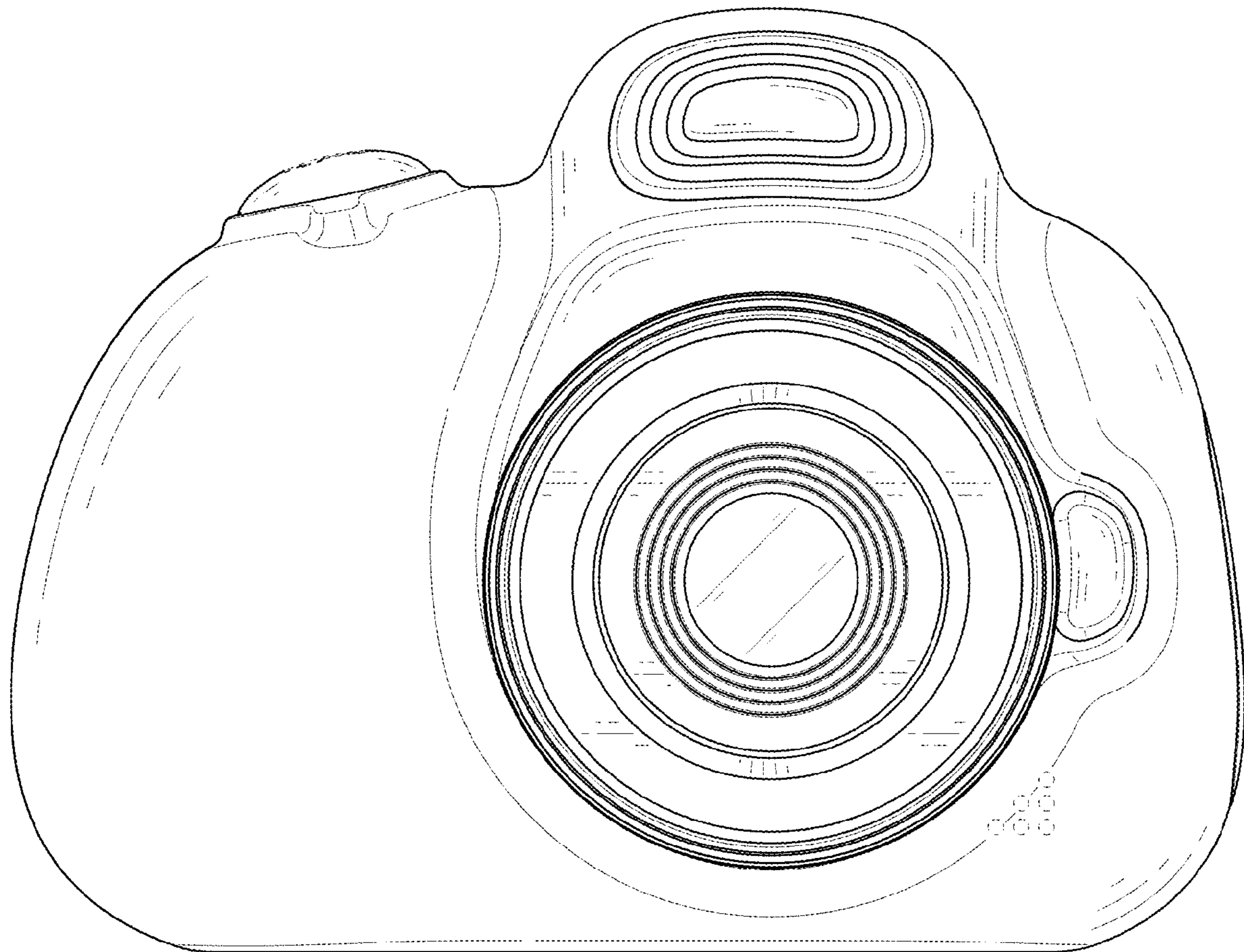


FIG. 4

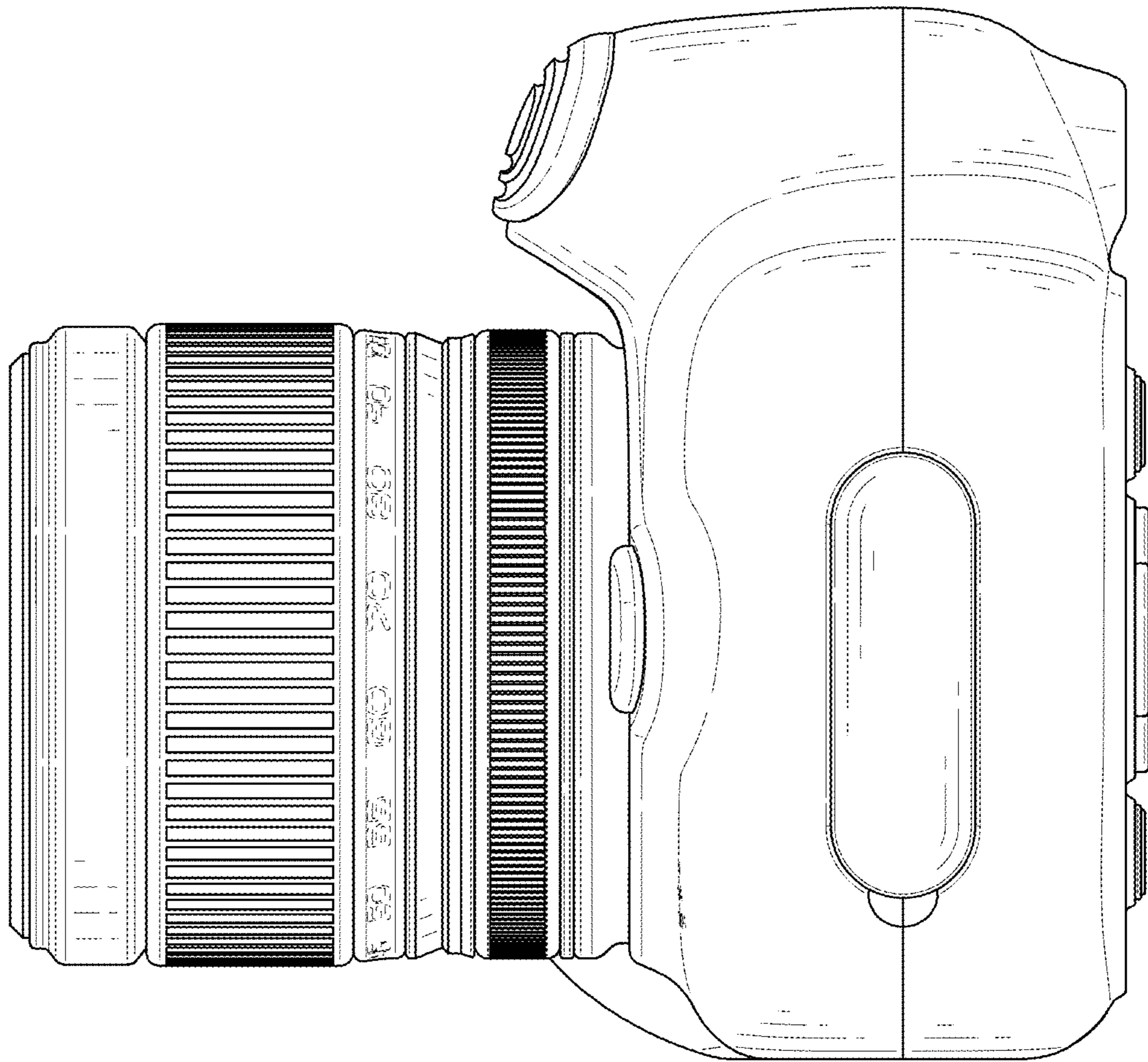


FIG. 5

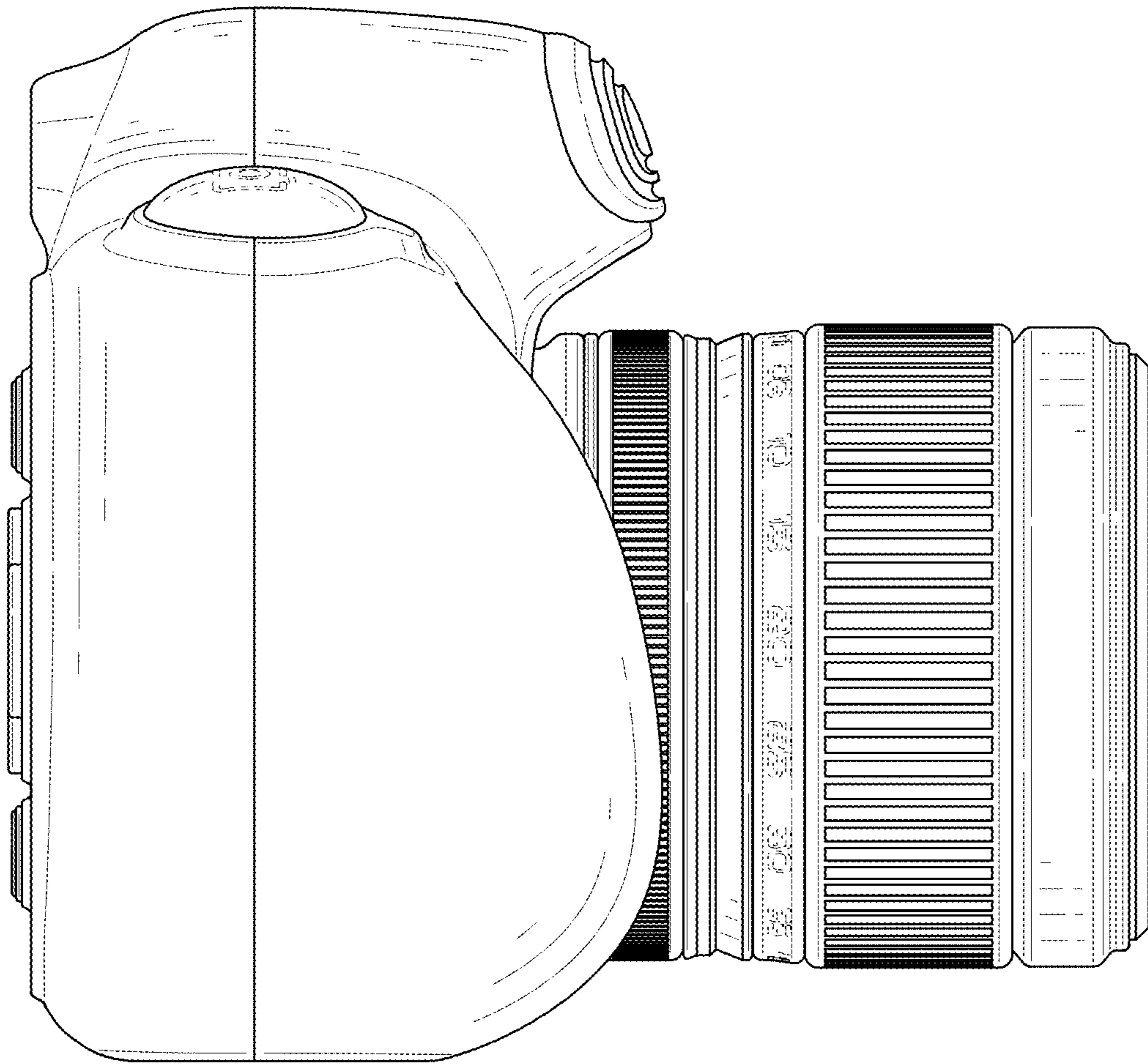


FIG. 6

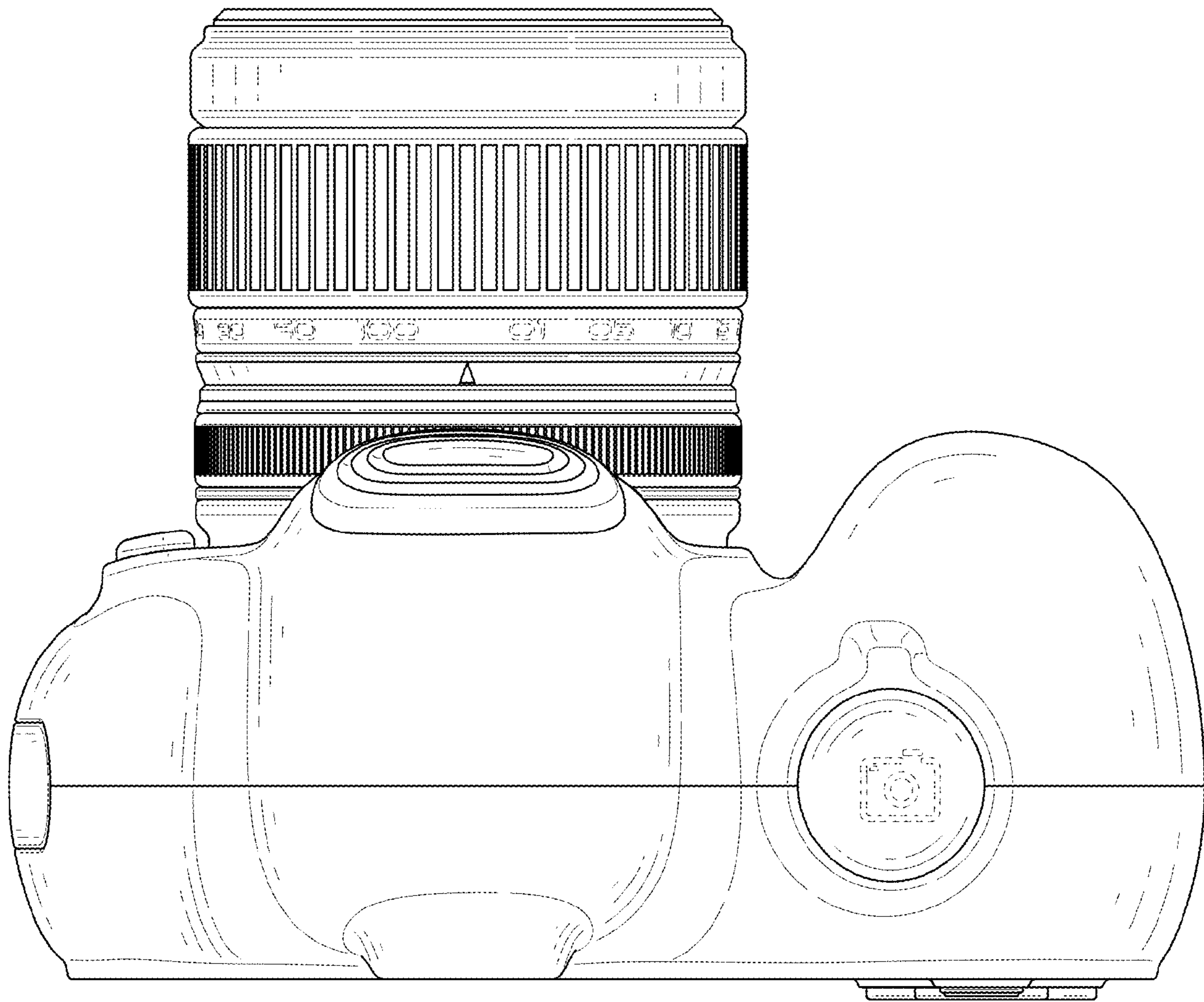


FIG. 7

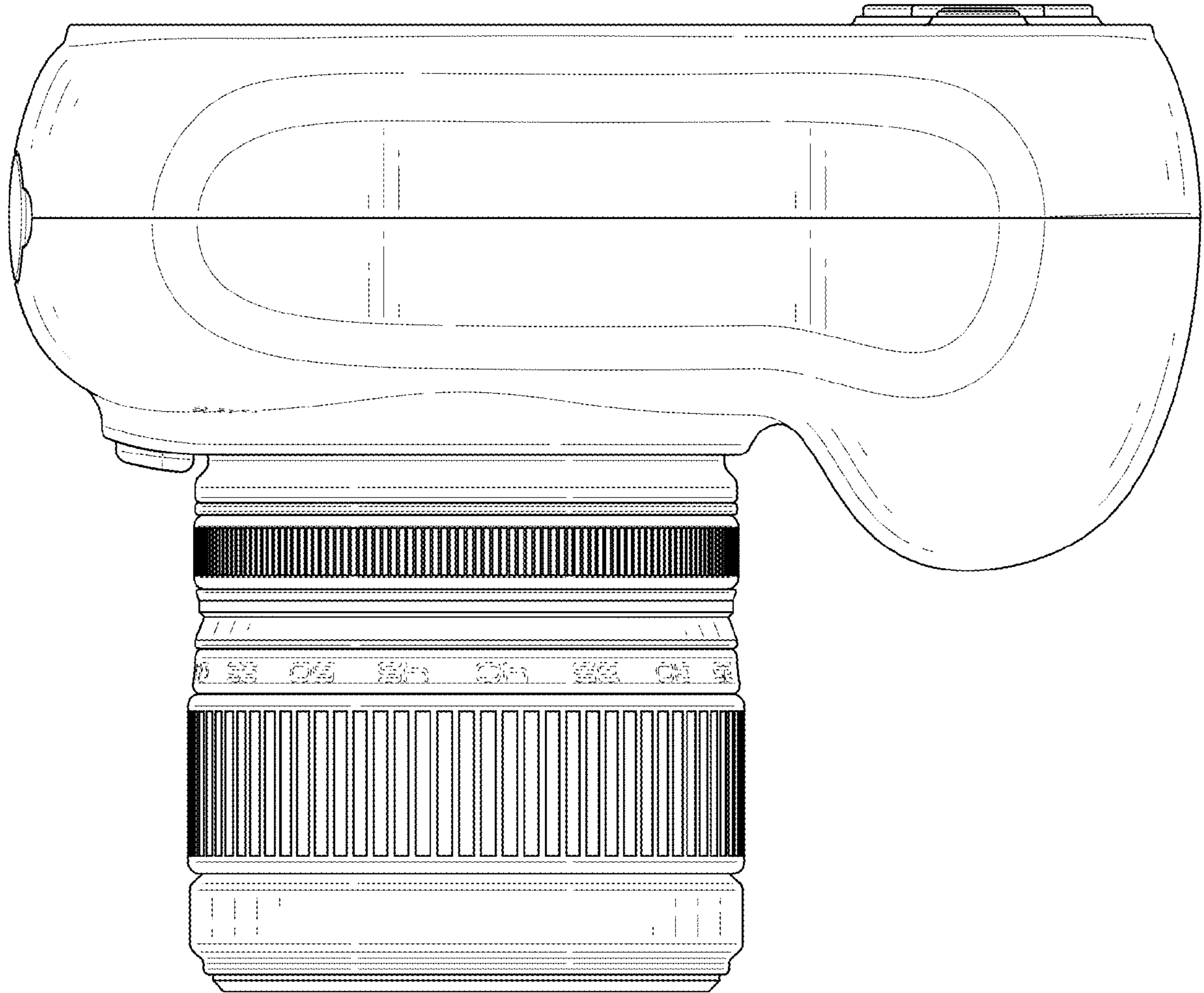


FIG. 8