



US00D934938S

(12) **United States Design Patent**
Li et al.

(10) **Patent No.:** **US D934,938 S**

(45) **Date of Patent:** **** Nov. 2, 2021**

(54) **PORTABLE INFRARED CAMERA**

(71) Applicant: **Wuhan Guide Sensmart Technology Co., Ltd.**, Wuhan (CN)

(72) Inventors: **Kangxin Li**, Wuhan (CN); **Sheng Huang**, Wuhan (CN); **Peng Wang**, Wuhan (CN)

(73) Assignee: **WUHAN GUIDE SENSMART TECHNOLOGY CO., LTD.**, Wuhan (CN)

(**) Term: **15 Years**

(21) Appl. No.: **29/682,222**

(22) Filed: **Mar. 4, 2019**

(30) **Foreign Application Priority Data**

Sep. 4, 2018 (CN) 201830495402.2

(51) **LOC (13) Cl.** **16-01**

(52) **U.S. Cl.**
USPC **D16/202**; D16/218

(58) **Field of Classification Search**
USPC D16/200, 202–208, 218, 219, 242;
348/143, 148, 151, 373–376; 396/419,
396/427, 535, 539–541; 248/176.1, 187.1
CPC G03B 17/02; G03B 19/04; G03B 17/56;
G03B 17/04; G03B 15/03; H04N 5/2251;
H04N 5/2252; H04N 5/2253; H04N
5/2254; H04N 7/181; H04N 7/183; H04N
7/18

See application file for complete search history.

(56) **References Cited**

U.S. PATENT DOCUMENTS

D449,628 S * 10/2001 Obata D16/202
D487,104 S * 2/2004 Obata D16/202

D506,215 S * 6/2005 Lin D16/218
D533,887 S * 12/2006 Logan D16/208
D559,882 S * 1/2008 Nakamura D16/218
D566,148 S * 4/2008 Akita D16/202
D576,649 S * 9/2008 Kim D16/202
D576,654 S * 9/2008 Kim D16/218
D581,960 S * 12/2008 Kim D16/218
D629,031 S * 12/2010 Su D16/202
D632,718 S * 2/2011 Tzeng D16/202
D669,111 S * 10/2012 Ravi D16/202
D674,430 S * 1/2013 Inoue D16/218

* cited by examiner

Primary Examiner — Ramzi Almatrahi

(74) *Attorney, Agent, or Firm* — Bayramoglu Law Offices LLC

(57) **CLAIM**

The ornamental design for a portable infrared camera, as shown and described.

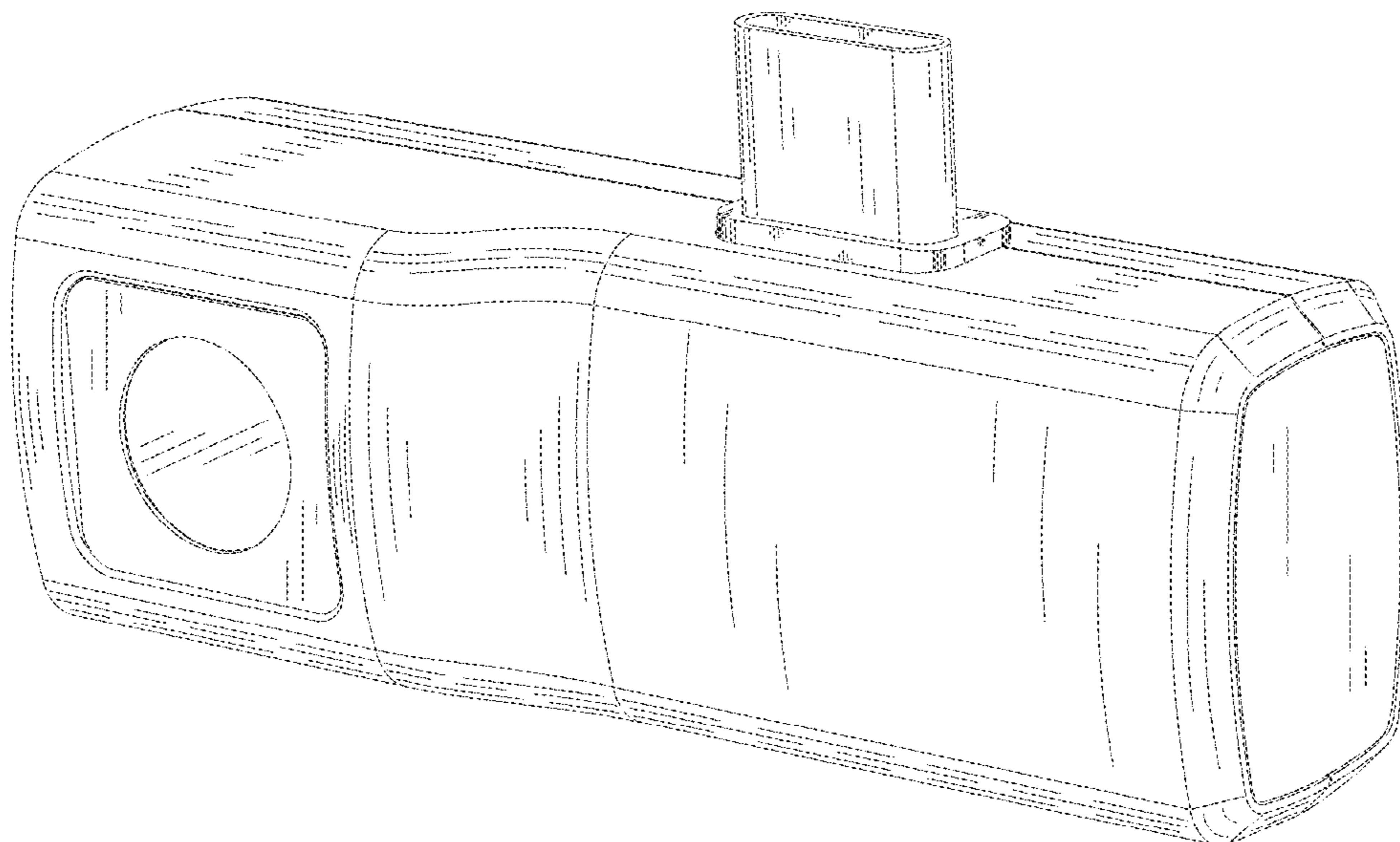
DESCRIPTION

FIG. 1 is a front perspective view of a portable infrared camera, showing our new design;
FIG. 2 is front view thereof;
FIG. 3 is a back view thereof;
FIG. 4 is a bottom view thereof;
FIG. 5 is a first side view thereof;
FIG. 6 is a second side view thereof; and,
FIG. 7 is a top view thereof.

The broken lines depict portions of the portable infrared camera in which the design is embodied that form no part of the claimed design.

The dot-dash lines in FIG. 7 denote the boundary of the claim and form no part of the claimed design.

1 Claim, 7 Drawing Sheets



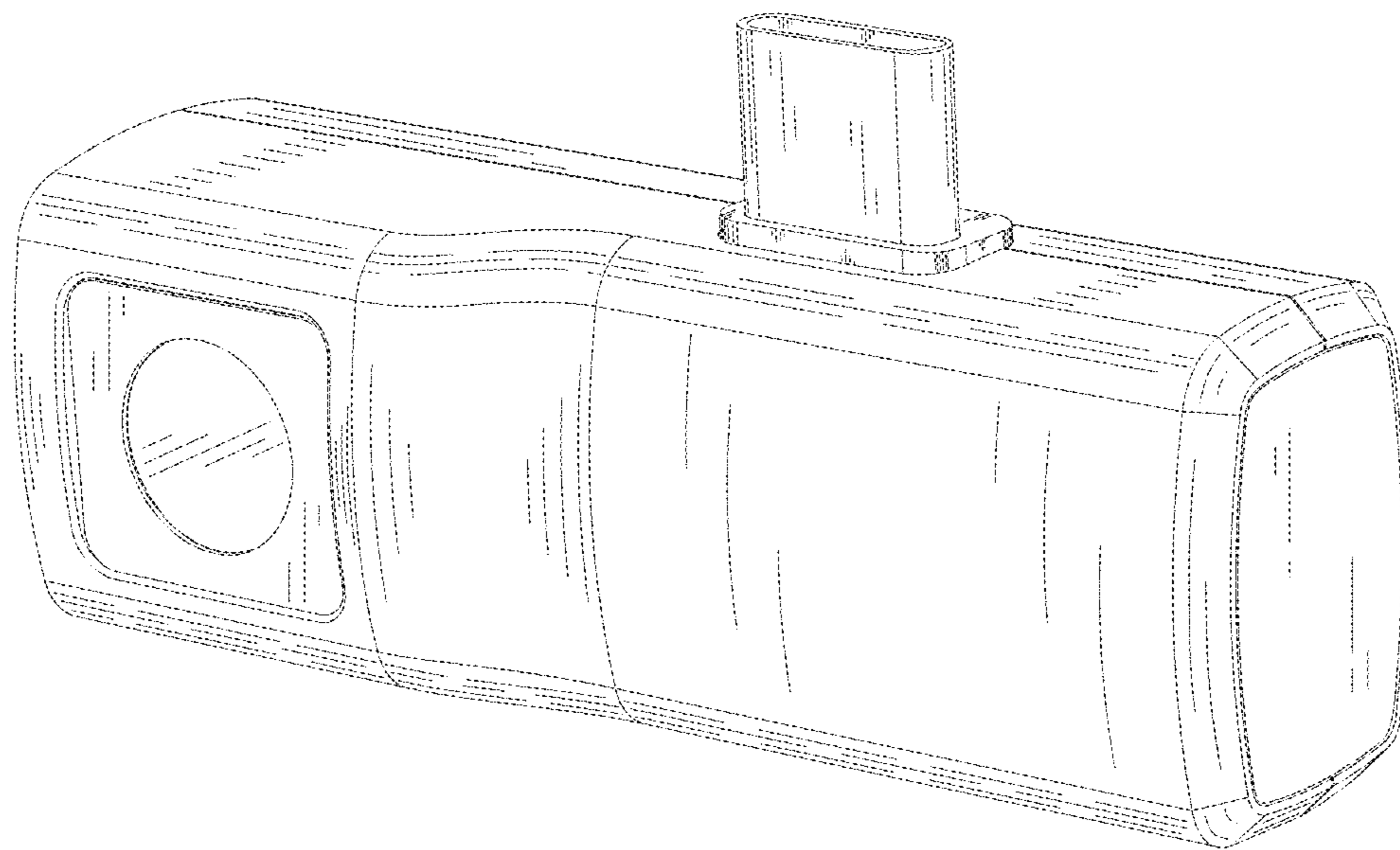


FIG. 1

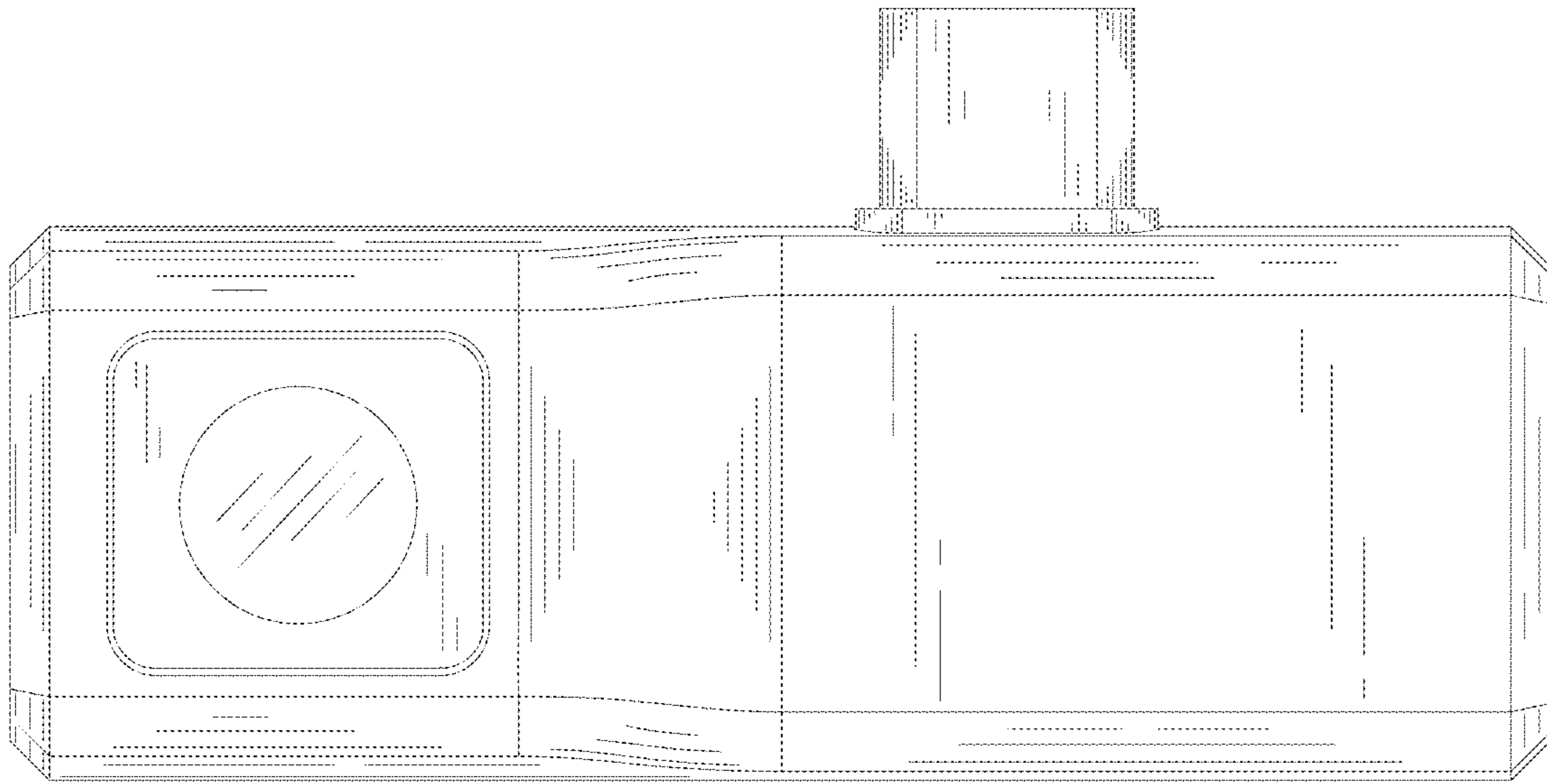


FIG. 2

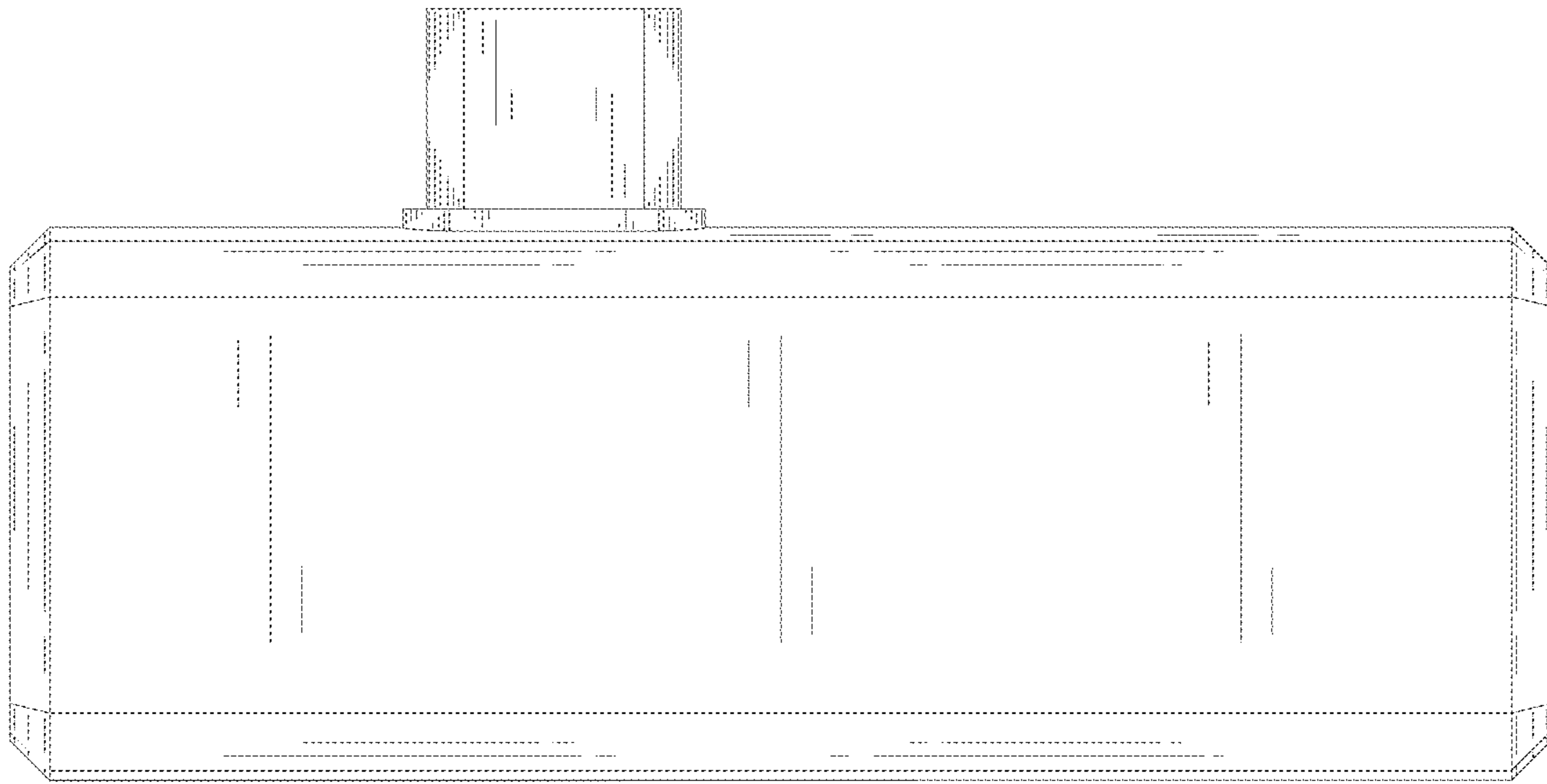


FIG. 3

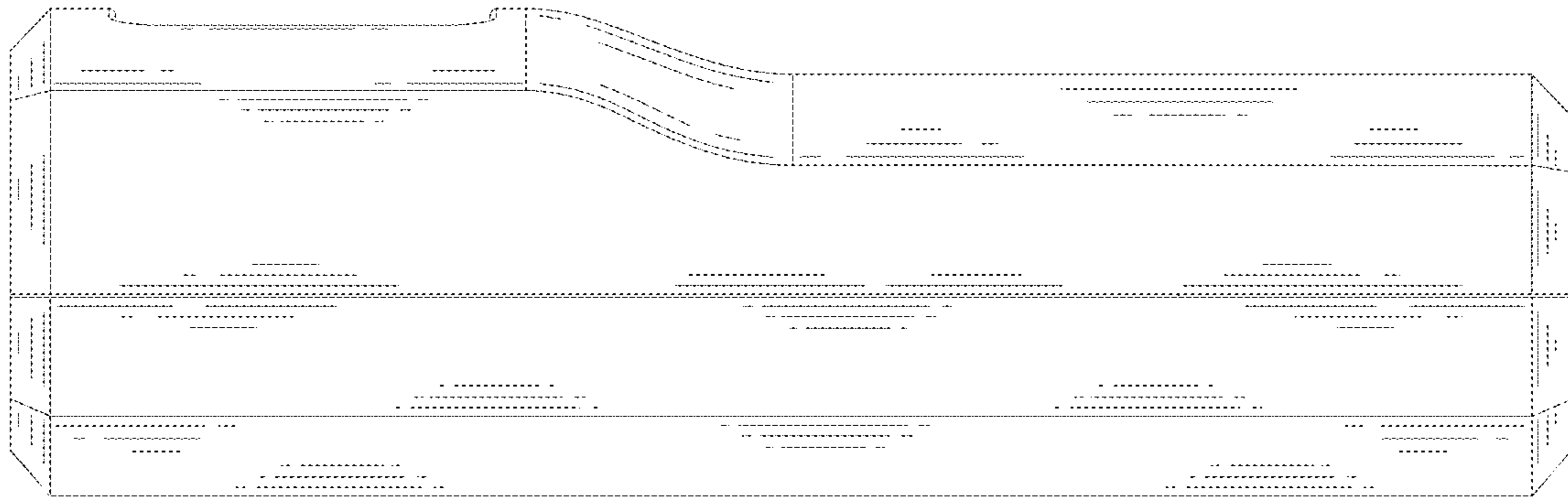


FIG. 4

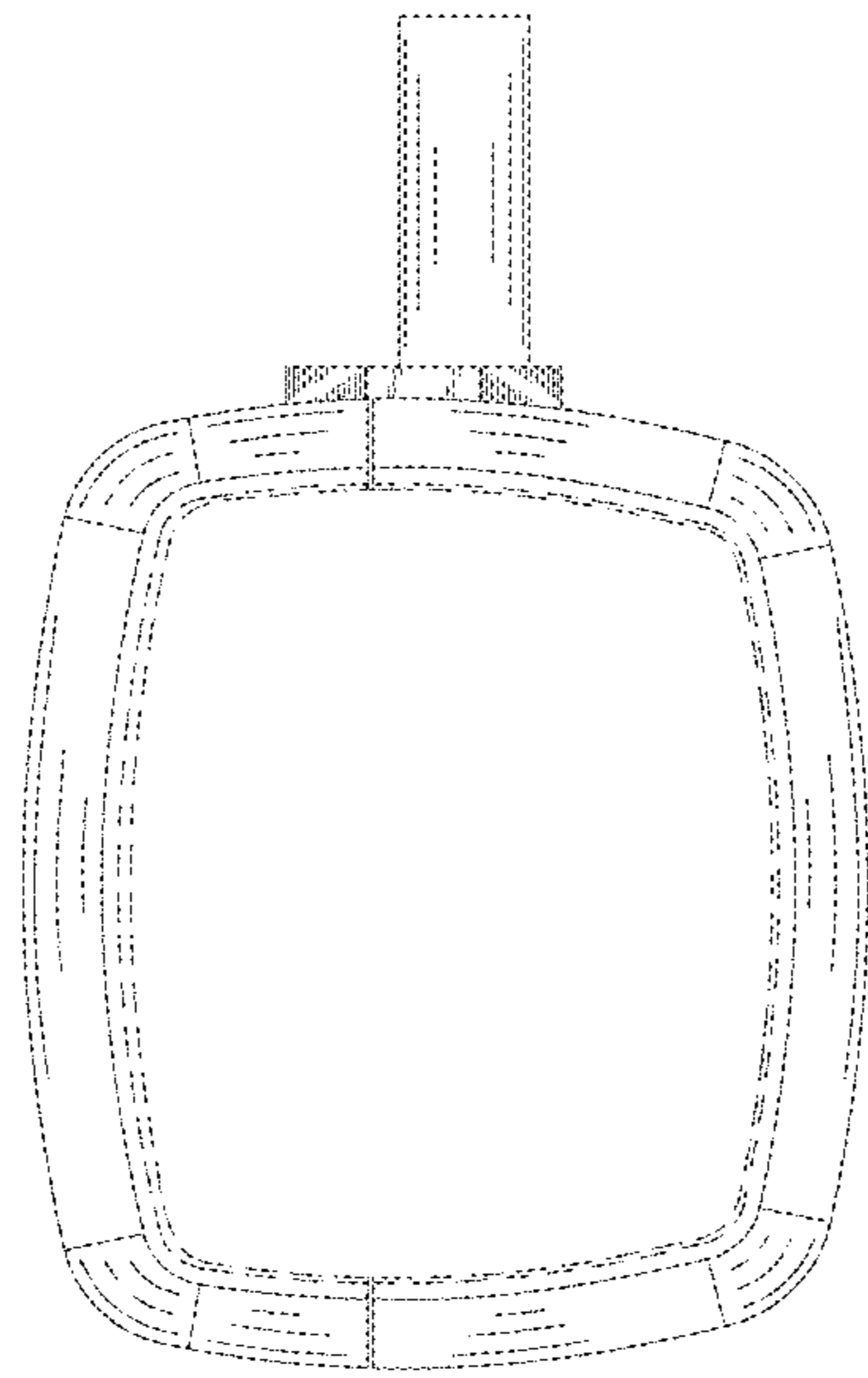


FIG. 5

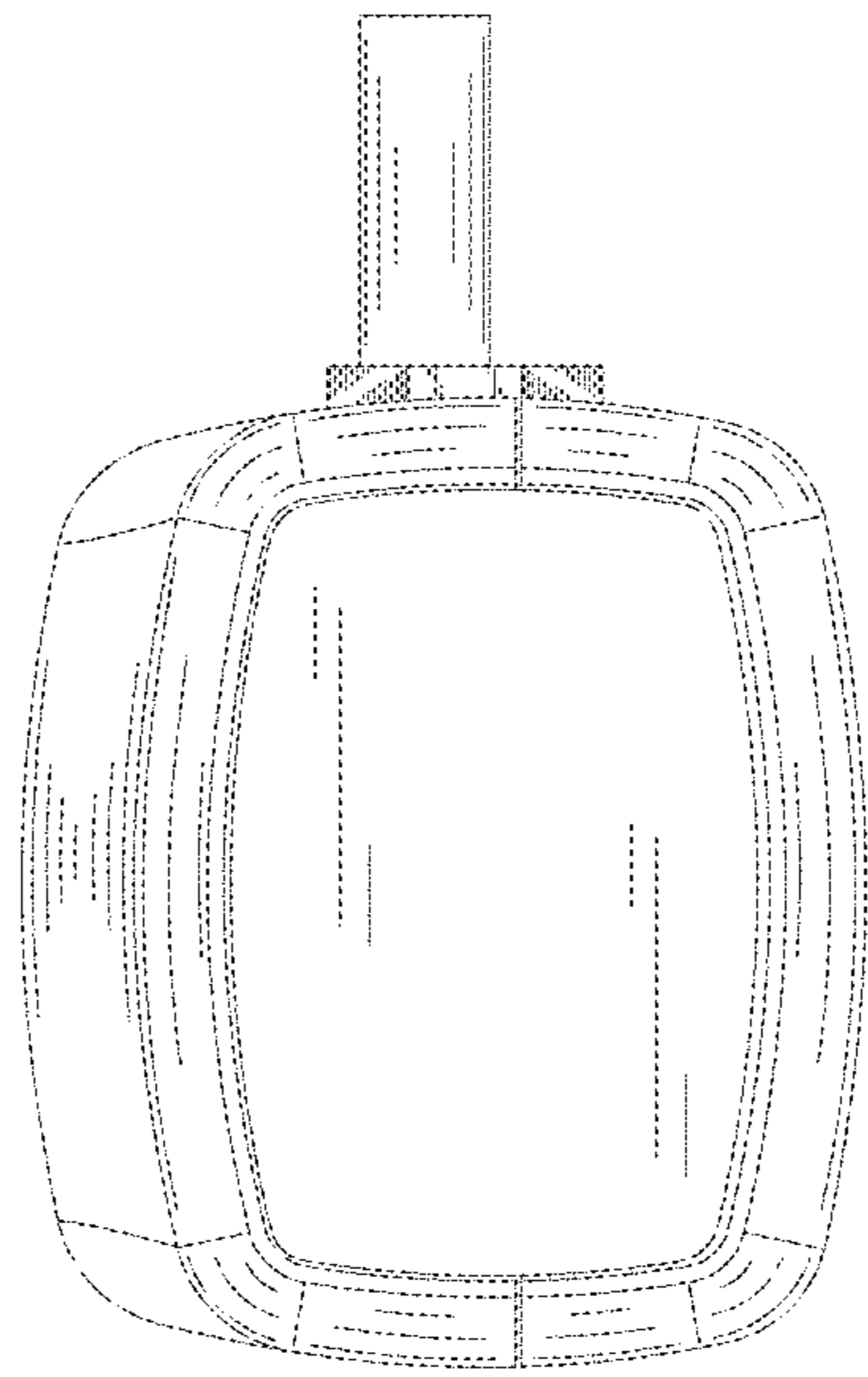


FIG. 6

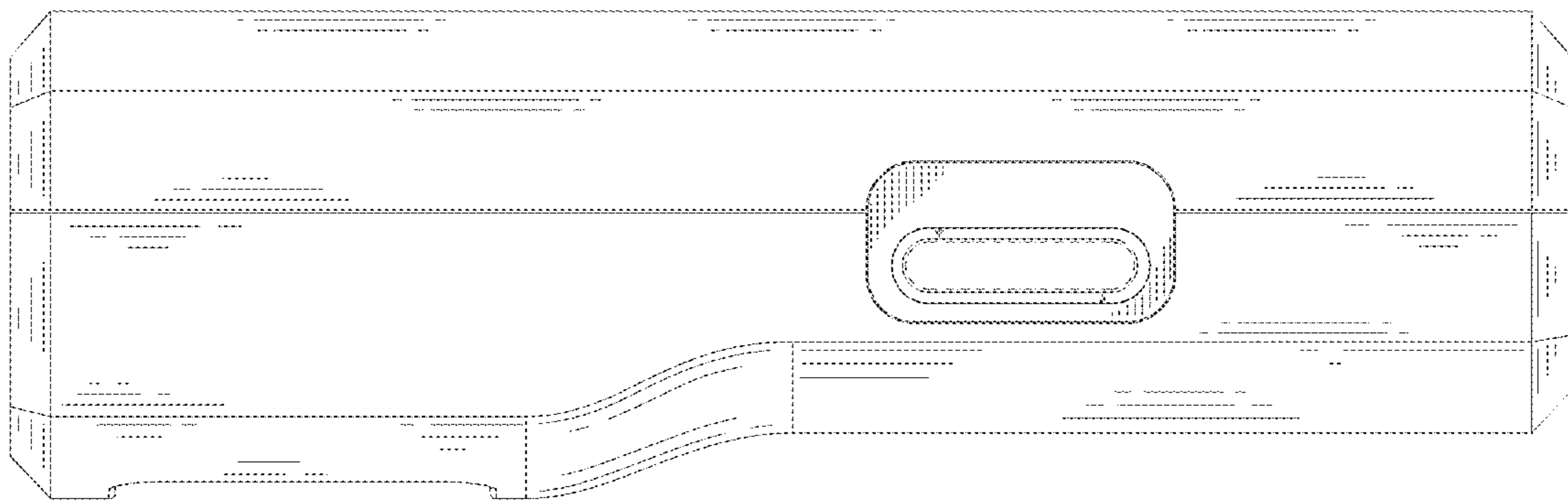


FIG. 7