



US00D934937S

(12) **United States Design Patent** (10) **Patent No.:** **US D934,937 S**
Meier et al. (45) **Date of Patent:** **** Nov. 2, 2021**

(54) **SURGICAL MICROSCOPE**

FOREIGN PATENT DOCUMENTS

(71) Applicant: **Carl Zeiss Meditec AG**, Jena (DE)

DE 9115742 U1 2/1992
DE 4304422 C1 7/1994

(72) Inventors: **Christof Meier**, Uttenreuth (DE);
Daniel Kolster, Oberkochen (DE)

(Continued)

(73) Assignee: **Carl Zeiss Meditec AG**, Jena (DE)

OTHER PUBLICATIONS

(**) Term: **15 Years**

“OPMI VISU 200 BrightFlex Surgical Microscope—Instructions for use”, G-30-1439-en, Issue 3.0, Carl Zeiss Surgical Products Division, Oberkochen, Germany, Nov. 21, 2002, 20 pages.

(Continued)

(21) Appl. No.: **29/733,412**

(22) Filed: **May 1, 2020**

Primary Examiner — Mark A Goodwin

Assistant Examiner — Benjamin M Weeks

(30) **Foreign Application Priority Data**

(74) *Attorney, Agent, or Firm* — Walter Ottesen, P.A.

Mar. 11, 2020 (EM) 007747159-0001

(57) **CLAIM**

The ornamental design for a surgical microscope, as shown and described.

(51) **LOC (13) Cl.** **16-06**

DESCRIPTION

(52) **U.S. Cl.**

USPC **D16/132**

(58) **Field of Classification Search**

USPC D16/130, 131, 132, 134, 135, 136, 245,
D16/219

CPC .. G02B 23/16; G02B 2003/0093; G02B 3/04;
E06B 9/24; G03B 17/02; C03B 2215/46

See application file for complete search history.

FIG. 1 is a first perspective view of the surgical microscope of our new design;

FIG. 2 is a second perspective view of the surgical microscope of FIG. 1;

FIG. 3 is a top plan view of the surgical microscope of FIG. 1;

FIG. 4 is a bottom plan view of the surgical microscope of FIG. 1;

FIG. 5 is a front elevation view of the surgical microscope of FIG. 1;

FIG. 6 is a rear elevation view of the surgical microscope of FIG. 1;

FIG. 7 is a right side elevation view of the surgical microscope of FIG. 1; and,

FIG. 8 is a left side elevation view of the surgical microscope of FIG. 1.

The broken lines in the drawings are included for the purpose of illustrating unclaimed portions of the surgical microscope and forms no part of the claimed design.

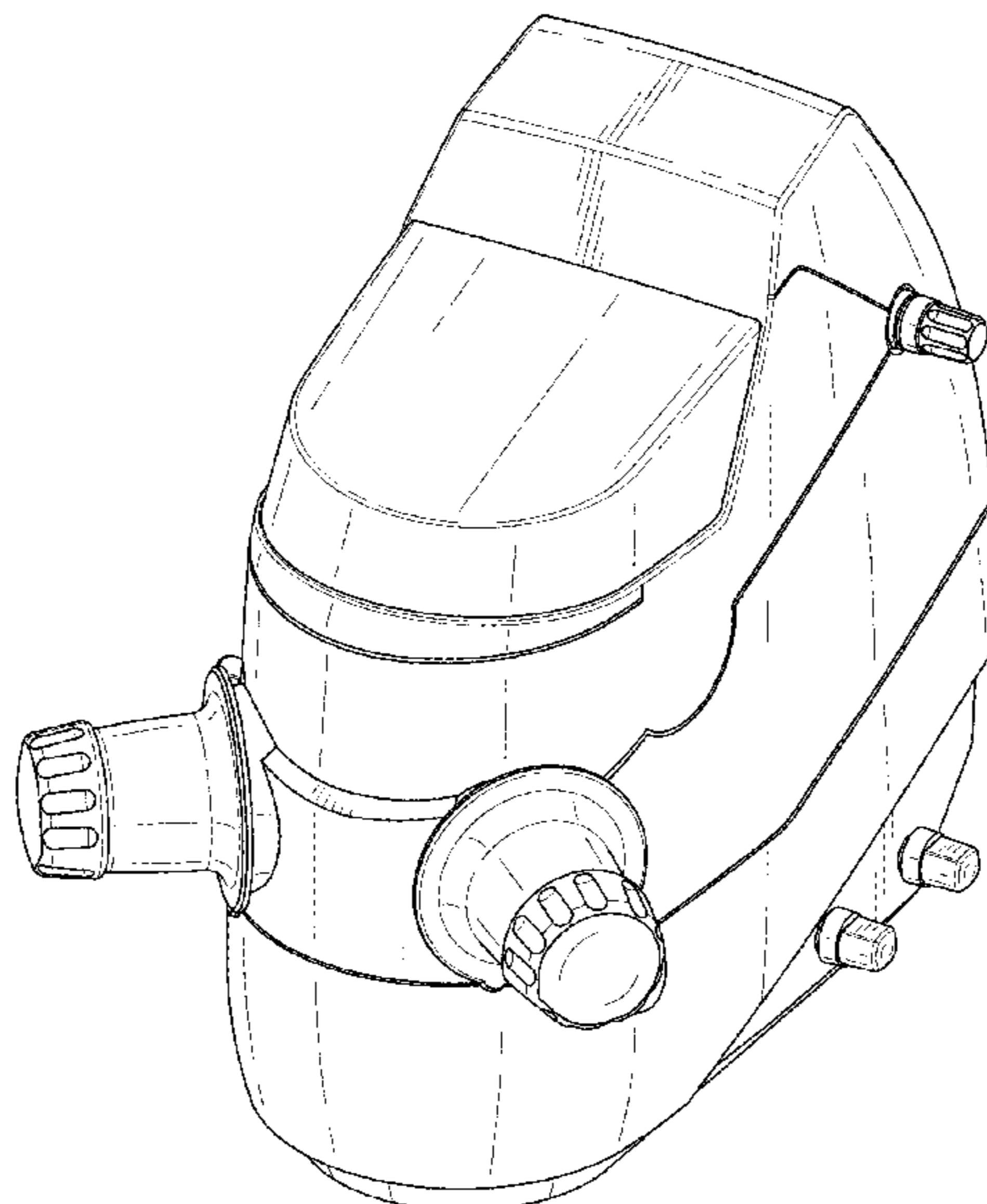
(56) **References Cited**

U.S. PATENT DOCUMENTS

- 5,052,789 A 10/1991 Kleinberg
- 5,074,651 A 12/1991 Nagamine
- 5,748,366 A 5/1998 Yasunaga et al.
- 5,861,983 A 1/1999 Twisselman
- 6,050,530 A 4/2000 Nakamura
- D459,744 S * 7/2002 Apotheloz D16/131
- 6,434,416 B1 8/2002 Mizoguchi et al.
- 6,471,165 B2 10/2002 Twisselmann
- 6,533,720 B1 3/2003 Dhindsa

(Continued)

1 Claim, 8 Drawing Sheets



(56)

References Cited

U.S. PATENT DOCUMENTS

D482,708 S * 11/2003 Matuschek D16/131
 6,646,798 B2 11/2003 Schmidt et al.
 6,738,192 B2 * 5/2004 Koizumi G02B 21/02
 359/381
 6,833,950 B2 12/2004 Schmidt
 D502,194 S * 2/2005 Suzuki D16/131
 6,899,307 B2 5/2005 Strauss et al.
 6,937,390 B2 8/2005 Akiyama et al.
 6,982,827 B2 * 1/2006 Mora G02B 21/0012
 359/384
 7,232,222 B2 6/2007 Kogawa et al.
 D623,210 S 9/2010 Matuschek et al.
 D634,344 S 3/2011 Nusser et al.
 D637,219 S 5/2011 Nusser et al.
 D643,866 S * 8/2011 Apotheloz D16/131
 D650,405 S 12/2011 Nusser
 D666,653 S 9/2012 Nusser
 D672,800 S * 12/2012 Muraki D16/131
 D674,424 S * 1/2013 Apotheloz D16/131
 D690,342 S * 9/2013 Funakoshi D16/131
 D693,866 S * 11/2013 Au D16/131
 D705,839 S * 5/2014 Apotheloz G02B 21/00
 D16/131
 D718,445 S 11/2014 Yoshida et al.
 D722,094 S * 2/2015 Nauli D16/131
 D723,079 S * 2/2015 Nauli D16/131
 D743,036 S 11/2015 Boukhny et al.
 D758,465 S 6/2016 Matuschek et al.

D782,555 S * 3/2017 Apotheloz G02B 21/24
 D16/131
 D812,665 S * 3/2018 Klein D16/131
 D888,123 S * 6/2020 Han D16/132
 D926,851 S * 8/2021 Matuschek D16/131

FOREIGN PATENT DOCUMENTS

DE 10049287 A1 4/2002
 DE 202007002593 U1 4/2007
 KR 10-1377275 A 3/2014

OTHER PUBLICATIONS

“ZEISS OPMI LUMERA 700”, Carl Zeiss Meditec AG Brochure, 2014, pp. 3 to 12.
 “OPMI PENTERO 800 from ZEISS”, Carl Zeiss Meditec AG Brochure, 2015, pp. 1 to 17.
 “OPMI Vario from ZEISS”, Carl Zeiss Meditec AG Brochure, 2014, pp. 1 to 12.
 “KINEVO 900 von ZEISS”, Carl Zeiss Meditec AG Brochure, 2017, pp. 1 to 22.
 U.S. Appl. No. 29/718,712, filed Dec. 27, 2019, Surgical Microscope, Carl Zeiss Meditec AG, Christof Meier, Daniel Kolster.
 U.S. Appl. No. 29/711,719, filed Nov. 1, 2019, Surgical Microscope, Carl Zeiss Meditec AG, Christof Meier, Daniel Kolster.
 U.S. Appl. No. 29/733,415, filed May 1, 2020, Surgical Microscope, Carl Zeiss Meditec AG, Christof Meier, Daniel Kolster.

* cited by examiner

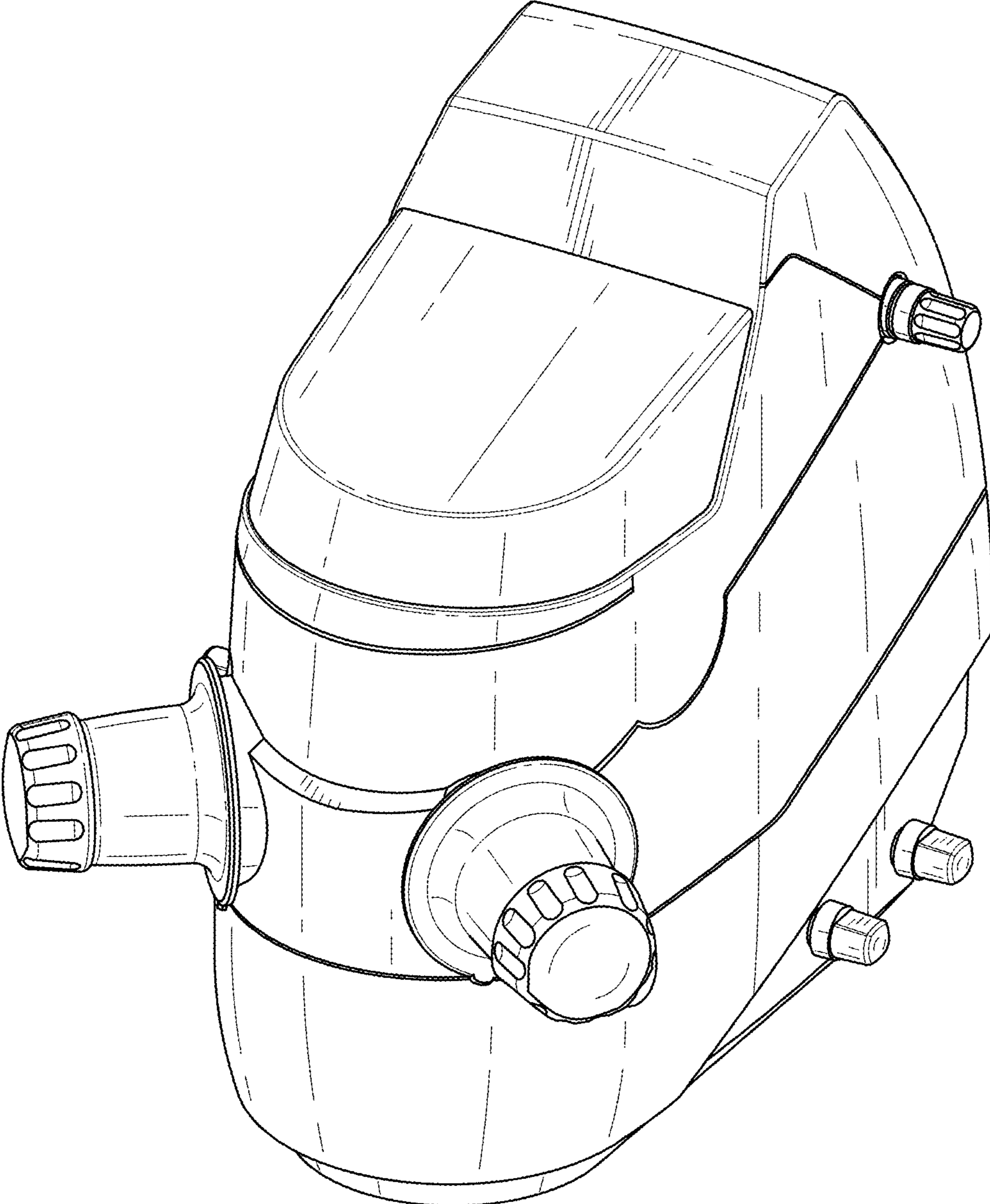


FIG. 1

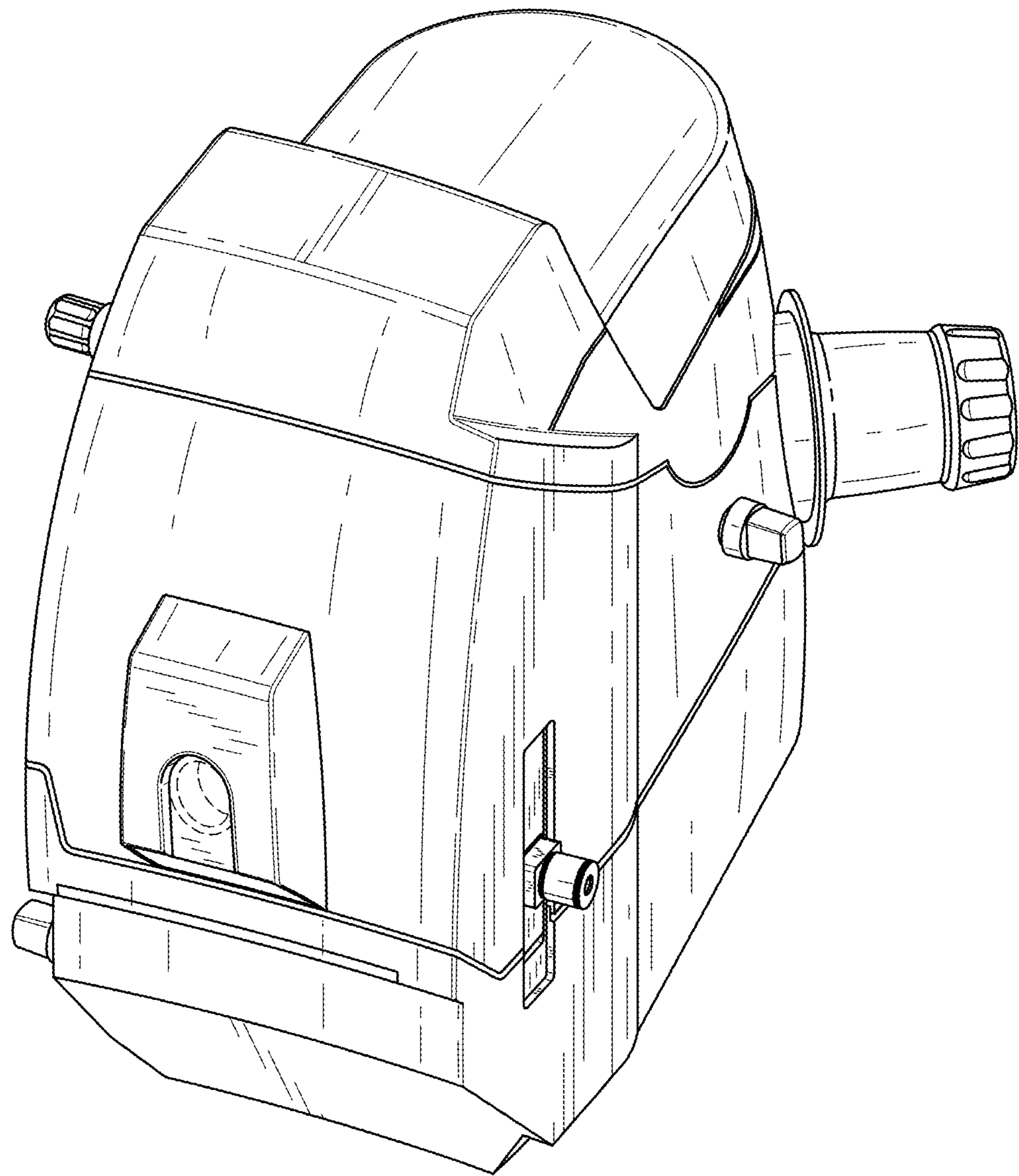


FIG. 2

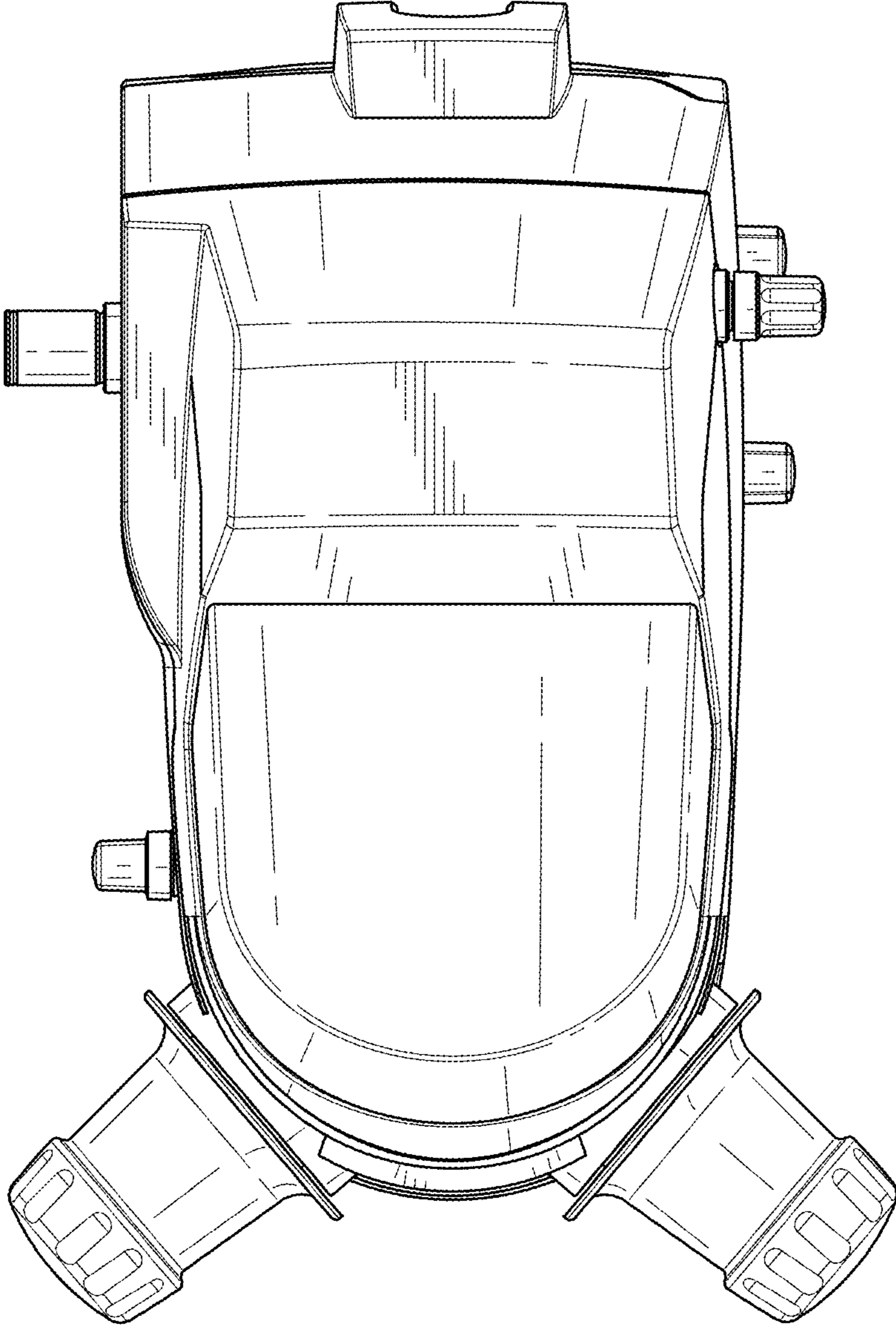


FIG. 3

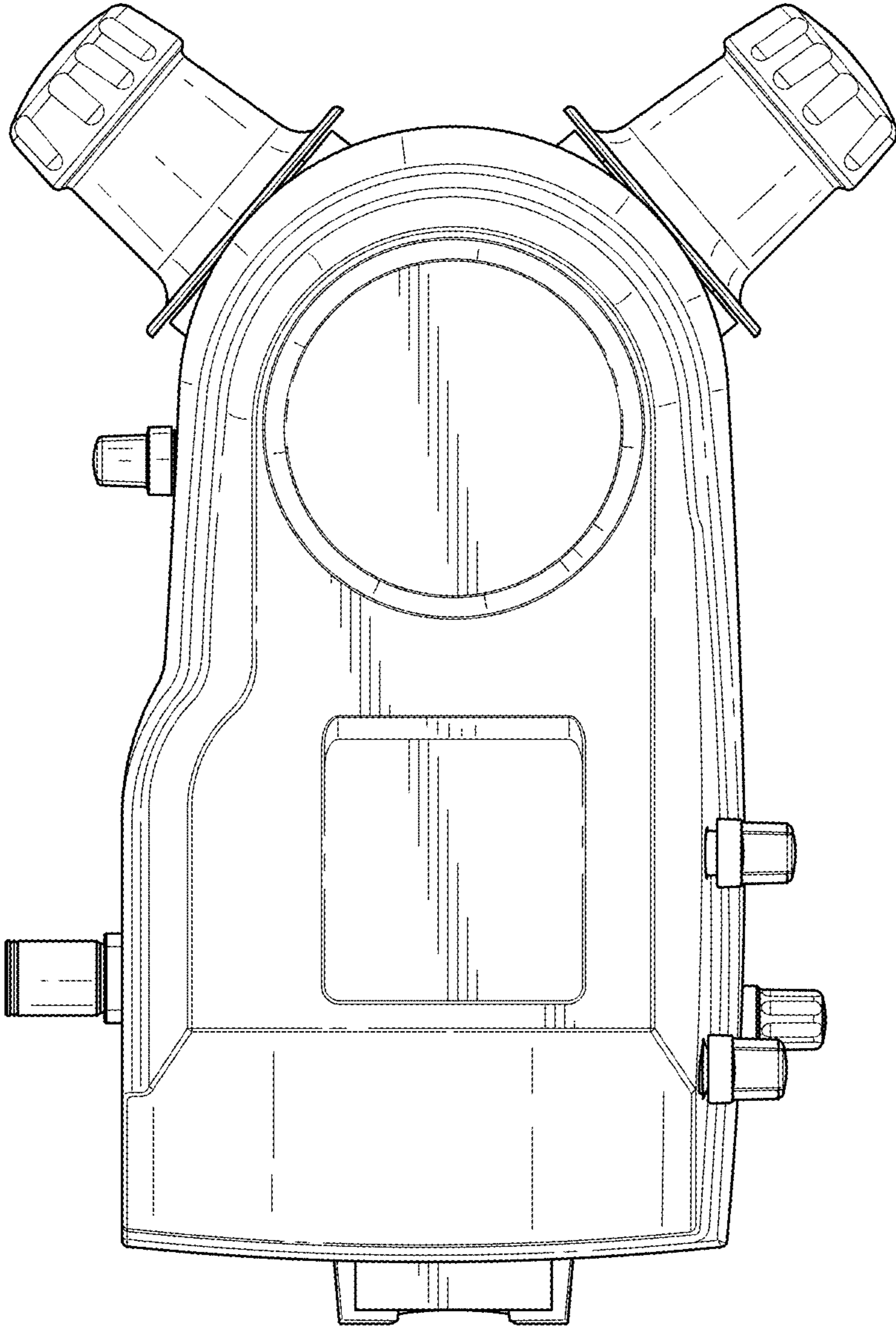


FIG. 4

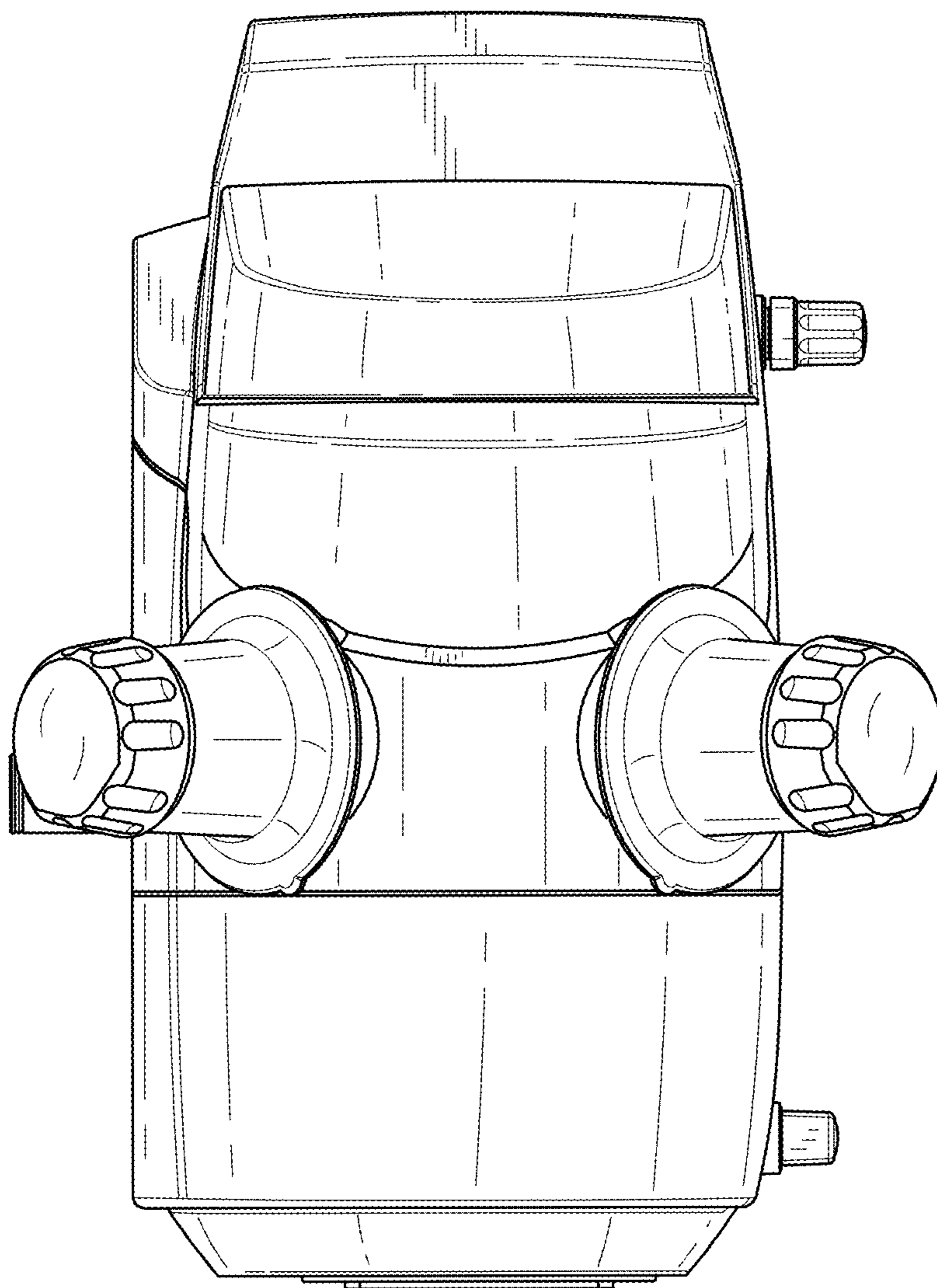


FIG. 5

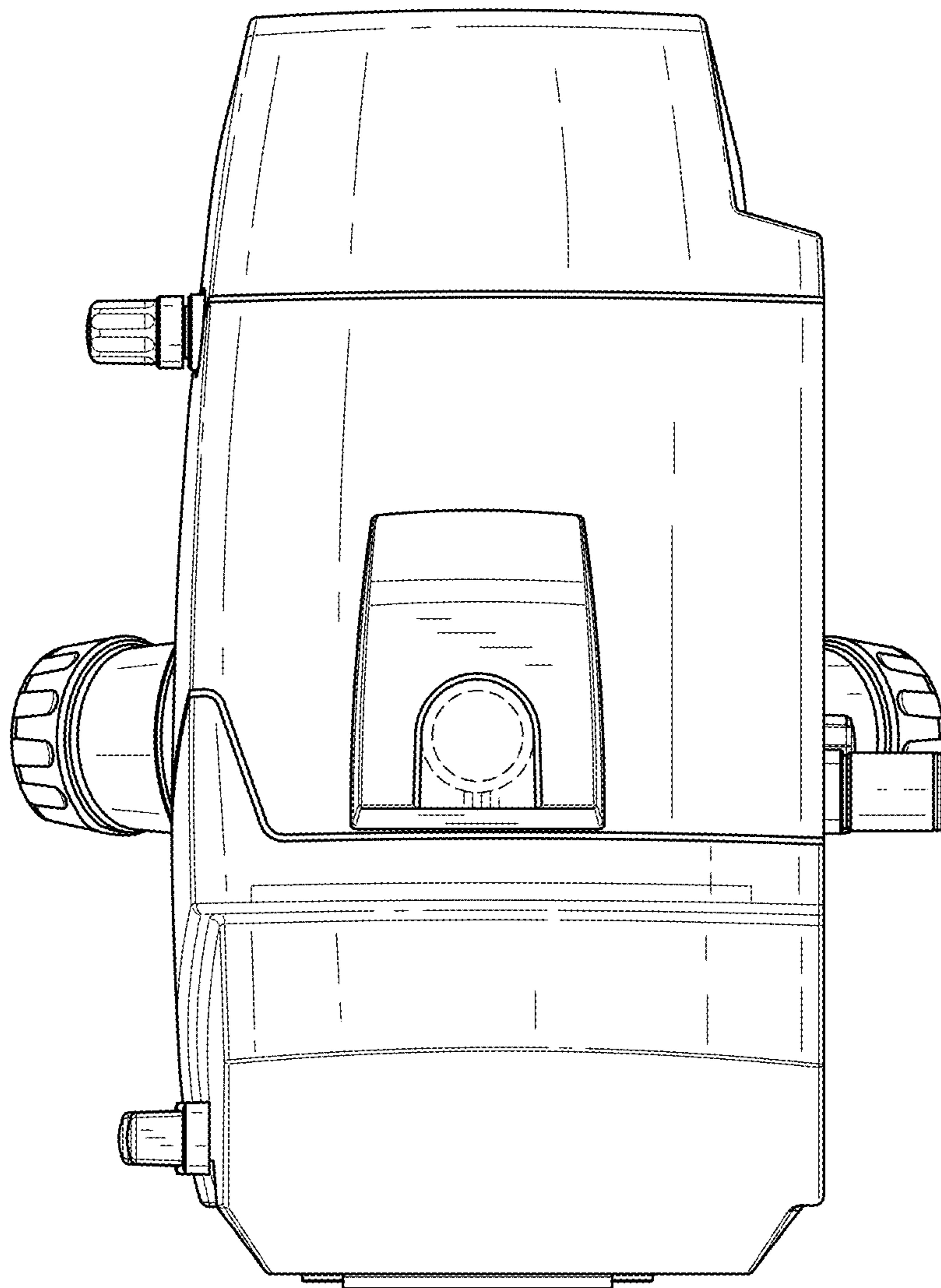


FIG. 6

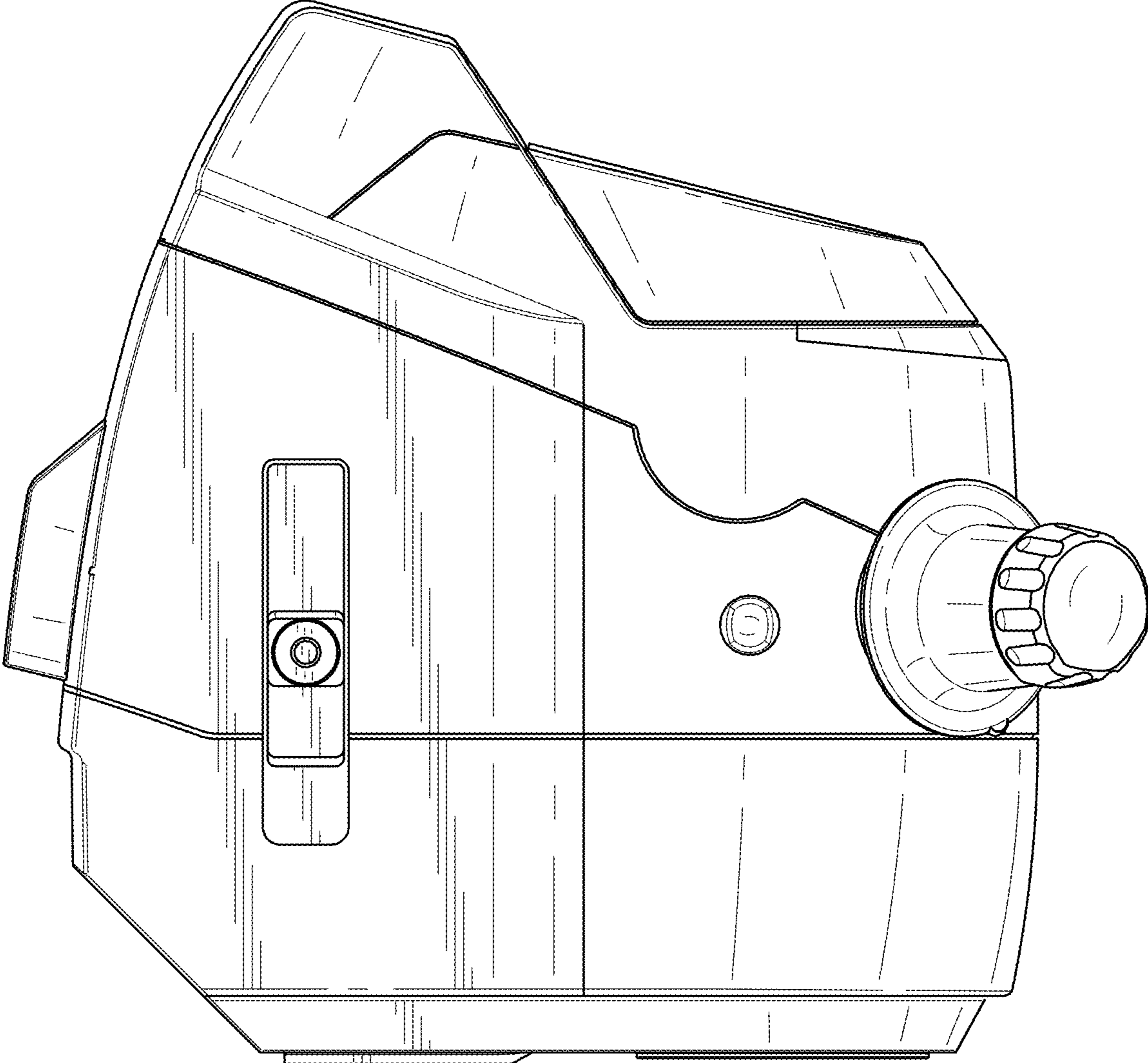


FIG. 7

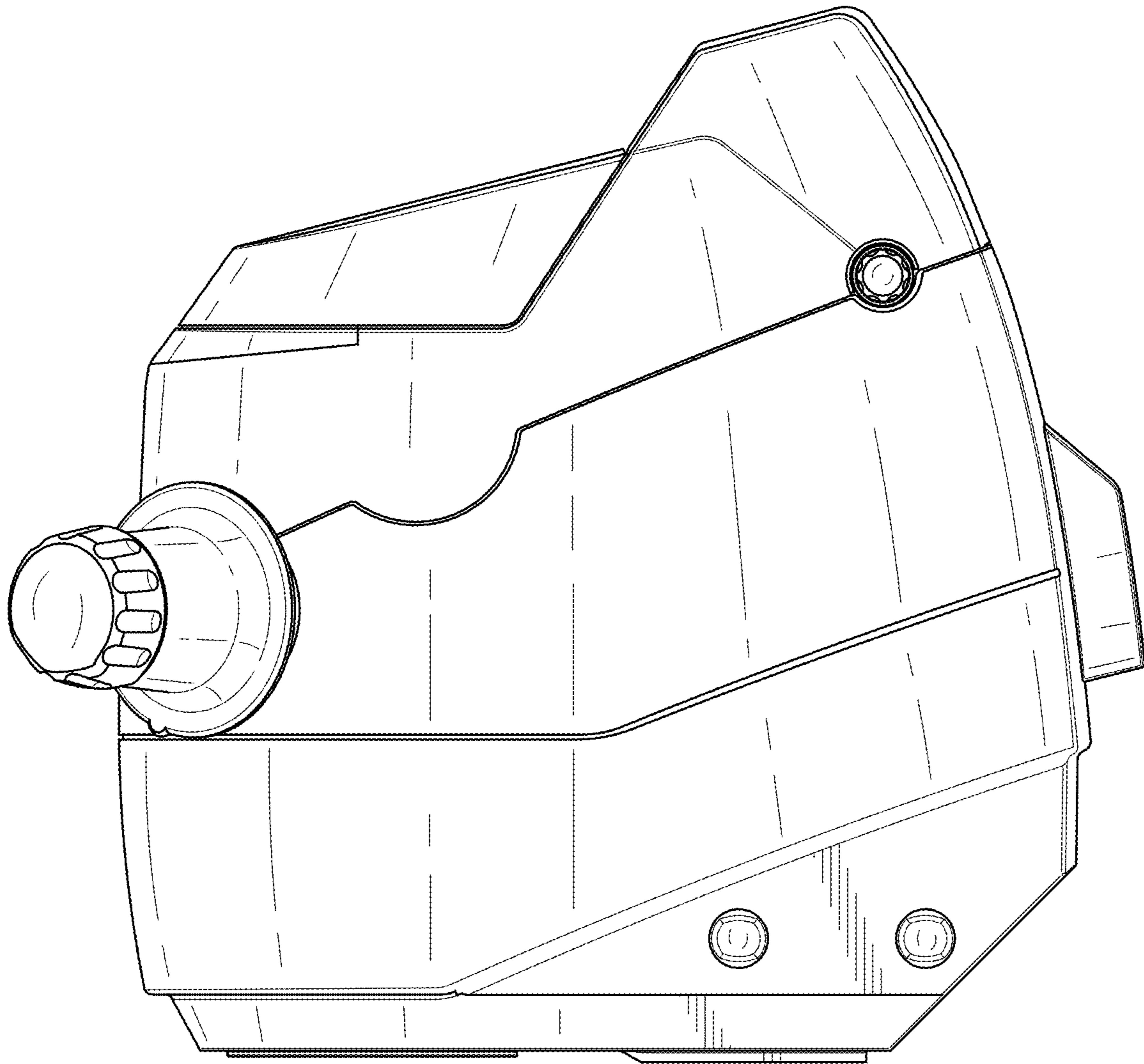


FIG. 8