



US00D934934S

(12) **United States Design Patent**
Park et al.

(10) **Patent No.:** **US D934,934 S**
(45) **Date of Patent:** **** Nov. 2, 2021**

(54) **DELIVERY ROBOT**

(71) Applicant: **LG ELECTRONICS INC.**, Seoul (KR)

(72) Inventors: **Seungjong Park**, Seoul (KR); **Sunghee Han**, Seoul (KR); **Jaeyoung Kim**, Seoul (KR); **Sunil Cho**, Seoul (KR)

(73) Assignee: **LG ELECTRONICS INC.**, Seoul (KR)

(**) Term: **15 Years**

(21) Appl. No.: **35/510,619**

(22) Filed: **Apr. 22, 2020**

(80) **Hague Agreement Data**

Int. Filing Date: **Apr. 22, 2020**
Int. Reg. No.: **DM/208185**
Int. Reg. Date: **Apr. 22, 2020**
Int. Reg. Pub. Date: **Oct. 23, 2020**

(30) **Foreign Application Priority Data**

Nov. 27, 2019 (KR) 30-2019-0057079

(51) **LOC (13) Cl.** **15-99**

(52) **U.S. Cl.**
USPC **D15/199**

(58) **Field of Classification Search**
USPC D15/199; D21/578–583; D32/21; D34/34
CPC B65G 1/04; B23Q 7/1442; B66F 9/063; G06Q 10/0832
See application file for complete search history.

(56) **References Cited**

U.S. PATENT DOCUMENTS

D869,533 S * 12/2019 Kim D15/199
D870,787 S * 12/2019 Kim D15/199
D870,788 S * 12/2019 Kim D15/199

D883,353 S * 5/2020 Zhang D15/199
D888,790 S * 6/2020 Yao D15/199
D888,791 S * 6/2020 Wu D15/199
D893,570 S * 8/2020 Zheng D15/199
D908,151 S * 1/2021 Song D15/199
D908,152 S * 1/2021 Cacioppo D15/199
D908,153 S * 1/2021 Cacioppo D15/199
D909,441 S * 2/2021 Zhao D15/199
D909,442 S * 2/2021 Zhao D15/199
D918,978 S * 5/2021 Li D15/199
D919,687 S * 5/2021 Song D15/199
D919,717 S * 5/2021 Paul D21/578

(Continued)

OTHER PUBLICATIONS

“LG joins with Woowa, agency to develop robot waiters” [online]. The Korea Times. [Published on Jun. 12, 2020]. Retrieved from the Internet: <https://www.koreatimes.co.kr/www/tech/2020/06/133_291116.html>.*

(Continued)

Primary Examiner — Mojtaba Tehrani
(74) *Attorney, Agent, or Firm* — Birch, Stewart, Kolasch & Birch, LLP

(57) **CLAIM**

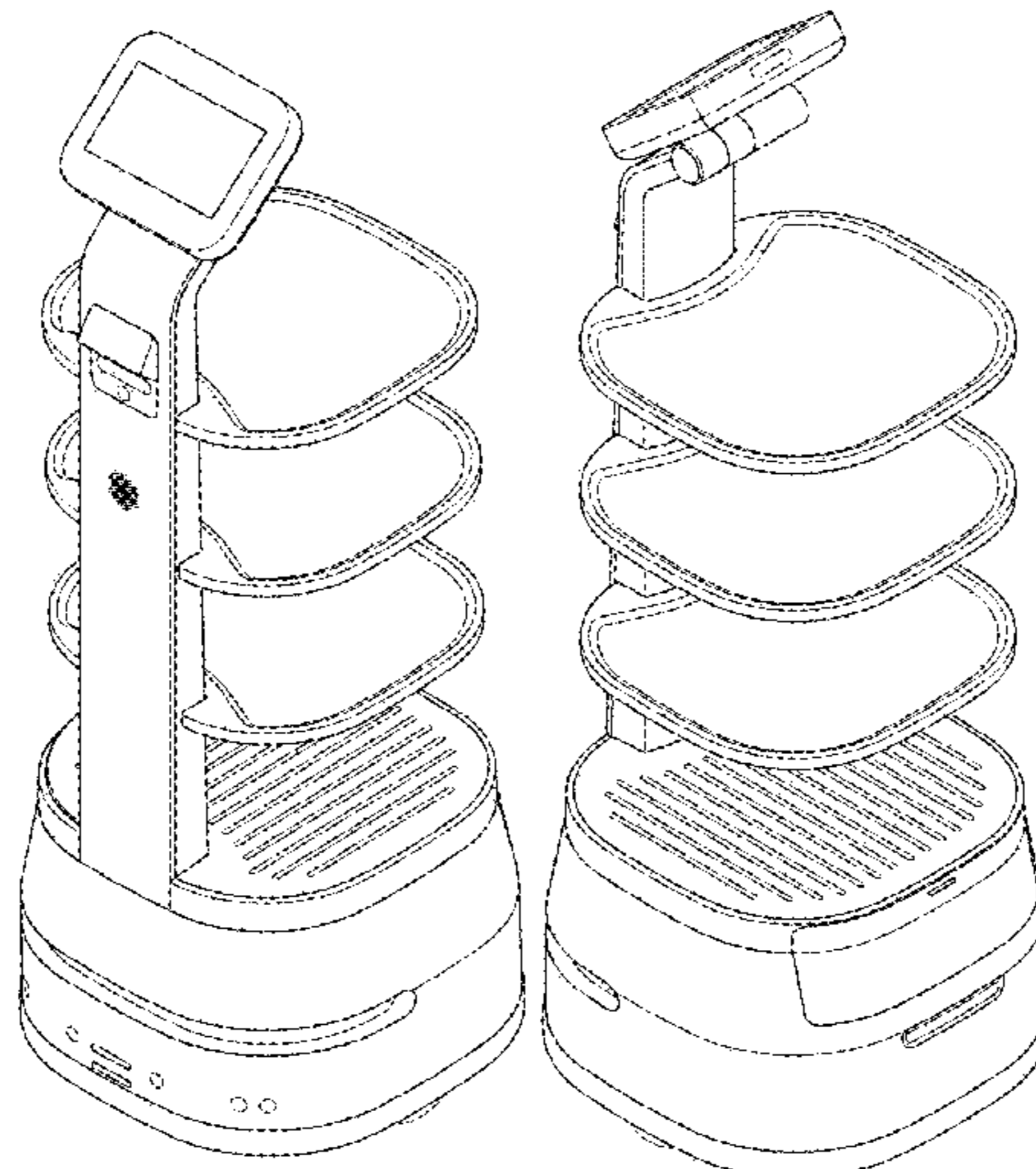
The ornamental design for a delivery robot, as shown and described.

DESCRIPTION

- 1. Delivery robot
- 1.1 : Front perspective view
- 1.2 : Rear perspective view
- 1.3 : Front
- 1.4 : Back
- 1.5 : Left
- 1.6 : Right
- 1.7 : Top
- 1.8 : Bottom

The parts shown by means of broken lines in the reproductions are not part of the claimed design.

1 Claim, 8 Drawing Sheets



(56)

References Cited

U.S. PATENT DOCUMENTS

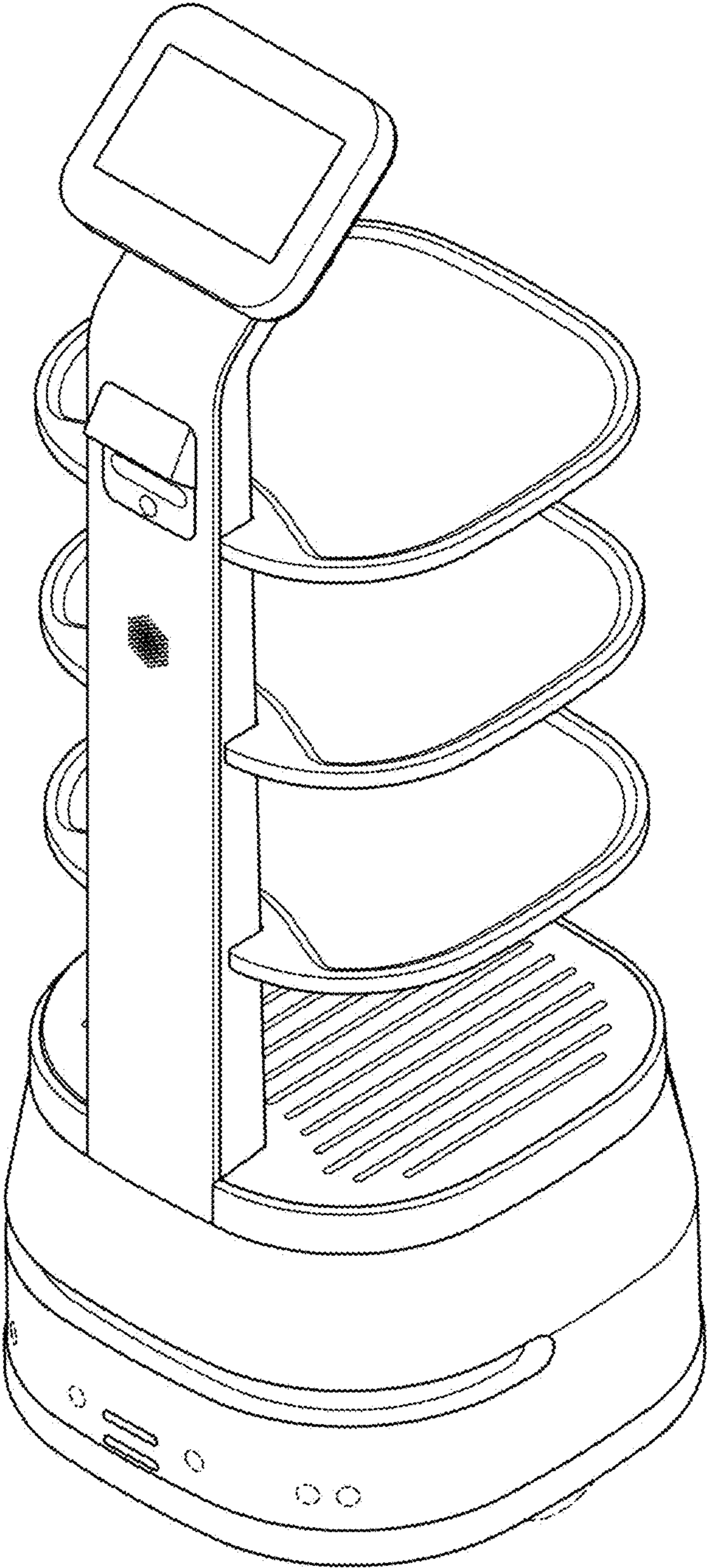
D921,080 S * 6/2021 Chen D15/199
D921,081 S * 6/2021 LaPlante D15/199
D921,083 S * 6/2021 Hernandez D15/199
2020/0206895 A1* 7/2020 Jung B62D 61/10
2020/0307667 A1* 10/2020 Tang B62D 63/02

OTHER PUBLICATIONS

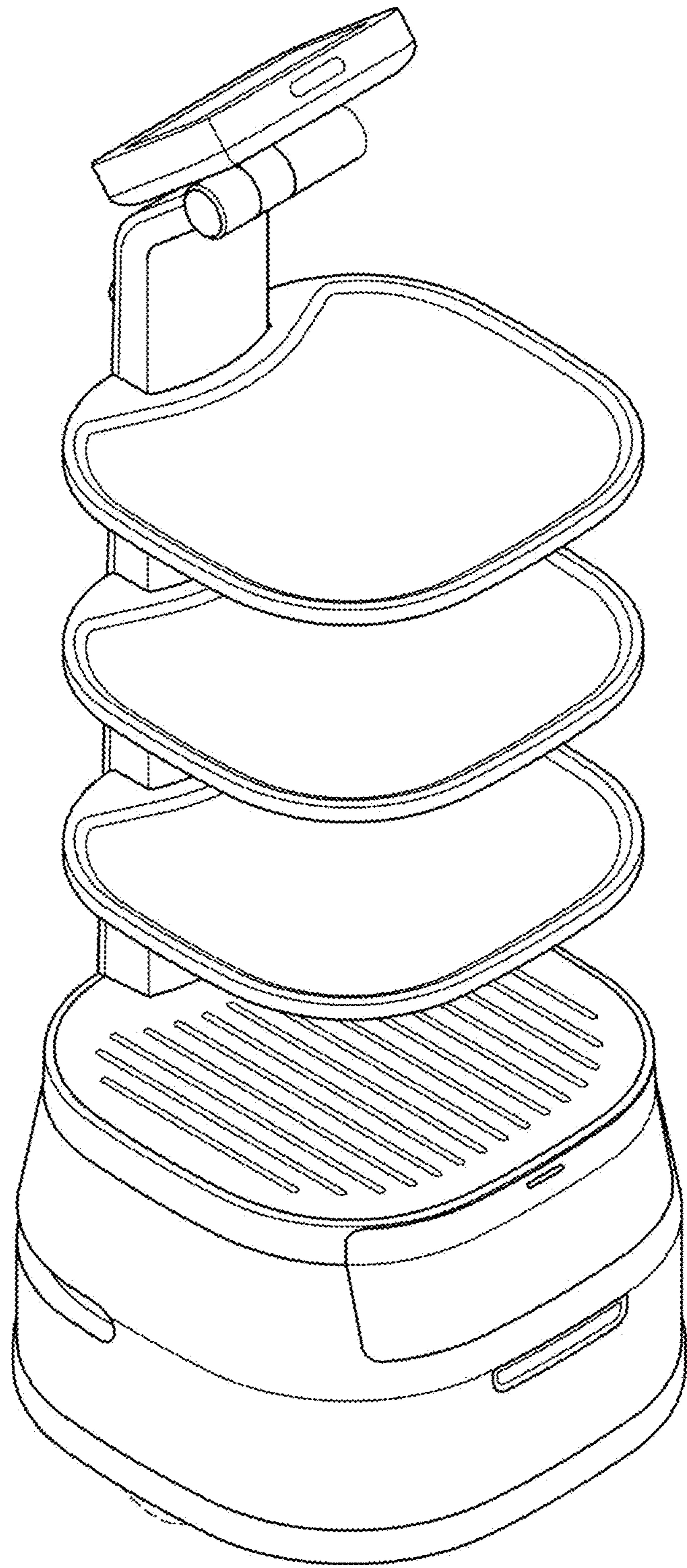
“LG set to unveil new line-up of commercial robots at CES”
[online]. Internet of Business. [Retrieved on Sep. 2, 2021]. Retrieved
from the Internet: <<https://internetofbusiness.com/lg-unveil-commercial-robots-ces/>>.*

* cited by examiner

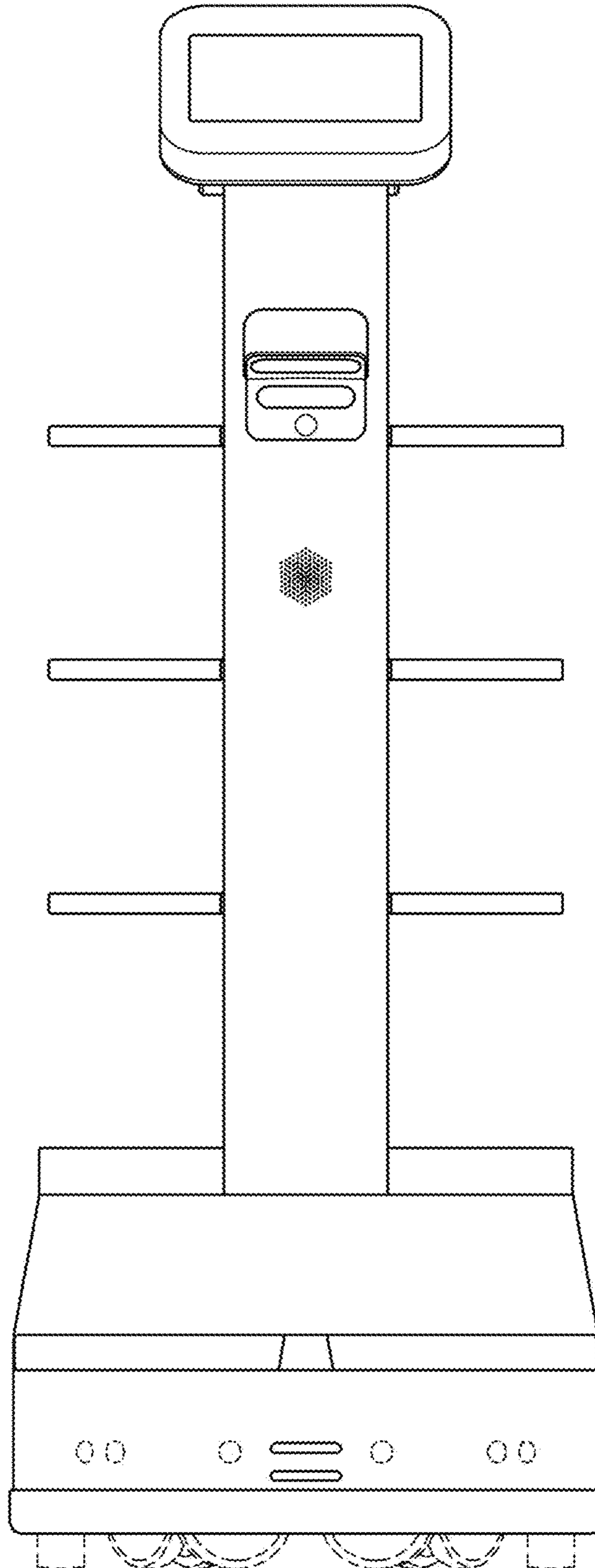
1.1



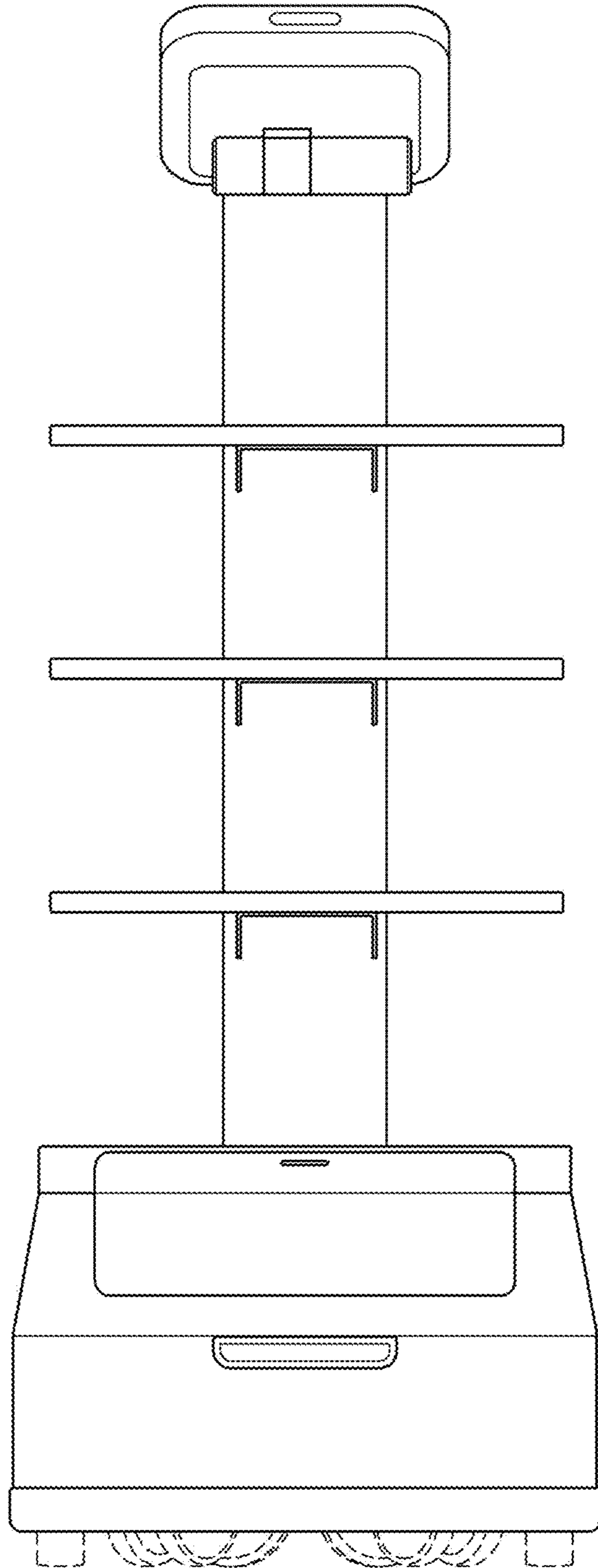
1.2



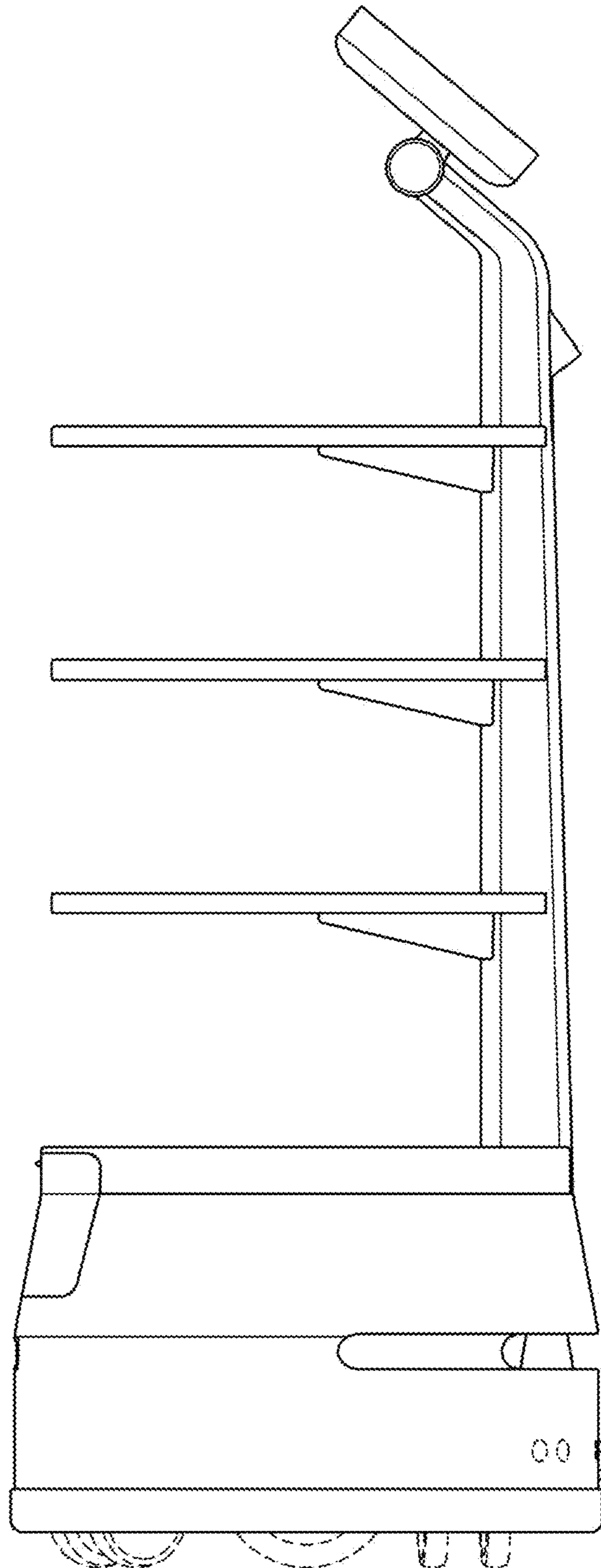
1.3



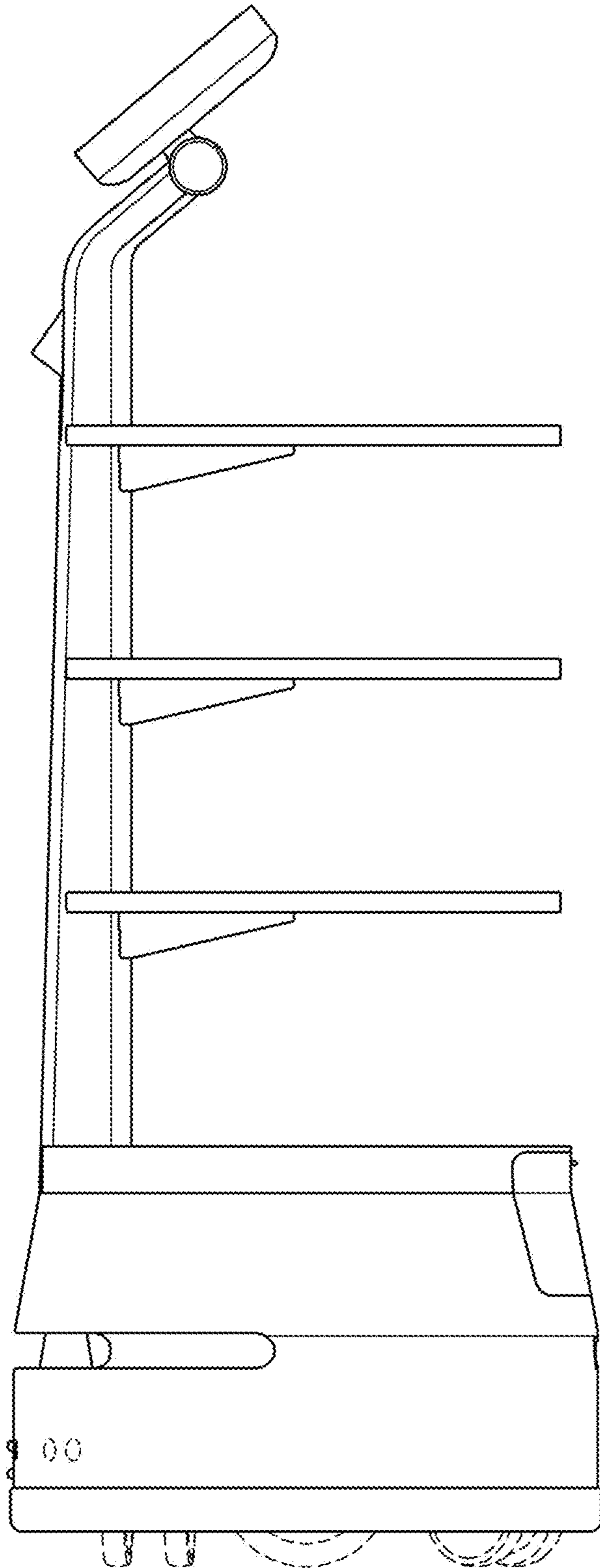
1.4



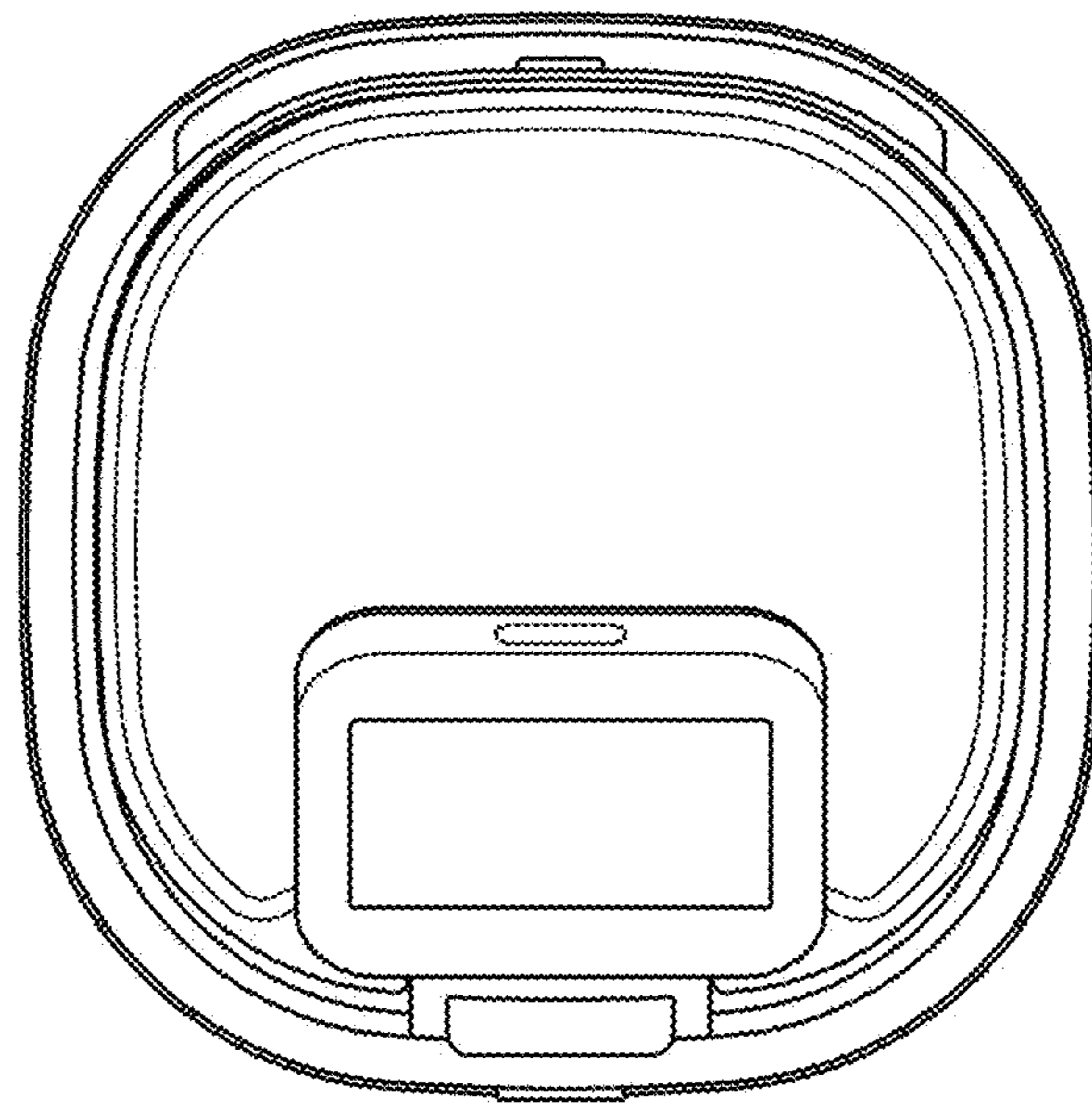
1.5



1.6



1.7



1.8

