

US00D934931S

(12) **United States Design Patent** (10) **Patent No.:** **US D934,931 S**
Sato (45) **Date of Patent:** **** Nov. 2, 2021**

(54) **PART OF FOOD INDUSTRY MACHINE**

(71) Applicant: **Nikko Co., Ltd.**, Hokkaido (JP)

(72) Inventor: **Kazuo Sato**, Kushiro (JP)

(73) Assignee: **Nikko Co., Ltd.**, Kushiro (JP)

(**) Term: **15 Years**

(21) Appl. No.: **35/508,811**

(22) Filed: **Apr. 4, 2019**

(80) **Hague Agreement Data**

Int. Filing Date: **Apr. 4, 2019**

Int. Reg. No.: **DM/206294**

Int. Reg. Date: **Apr. 4, 2019**

Int. Reg. Pub. Date: **Mar. 13, 2020**

(51) **LOC (13) Cl.** **31-00**

(52) **U.S. Cl.**
USPC **D15/199**

(58) **Field of Classification Search**
USPC D15/7, 9.1, 122, 199; D23/231; 241/69,
241/101.8, 180, 181

(Continued)

(56) **References Cited**

U.S. PATENT DOCUMENTS

4,705,222 A * 11/1987 Shohet B01F 7/027
241/101.8

D495,343 S * 8/2004 Tomazevic D15/19
(Continued)

Primary Examiner — Richard E Chilcot

(74) *Attorney, Agent, or Firm* — Muncy, Geissler, Olds & Lowe, P.C.

(57) **CLAIM**

The ornamental design for a part of food industry machine, as shown and described.

DESCRIPTION

1. Part of food industry machine

1.1: Front view of combination of upper and lower suction hands of the part of food industry machine

1.2: Back view of combination of upper and lower suction hands of the part of food industry machine

1.3: Right view of combination of upper and lower suction hands of the part of food industry machine

1.4: Left view of combination of upper and lower suction hands of the part of food industry machine

1.5: Top view of combination of upper and lower suction hands of the part of food industry machine

1.6: Bottom view of combination of upper and lower suction hands of the part of food industry machine

1.7: Perspective view of combination of upper and lower suction hands of the part of food industry machine

1.8: Perspective view of combination of upper and lower suction hands of the part of food industry machine

1.9: Front view of upper suction hand of the part of food industry machine

1.10: Back view of upper suction hand of the part of food industry machine

1.11: Right view of upper suction hand of the part of food industry machine

1.12: Left view of upper suction hand of the part of food industry machine

1.13: Top view of upper suction hand of the part of food industry machine

1.14: Bottom view of upper suction hand of the part of food industry machine

1.15: Front view of lower suction hand of the part of food industry machine

1.16: Back view of lower suction hand of the part of food industry machine

1.17: Right view of lower suction hand of the part of food industry machine

1.18: Left view of lower suction hand of the part of food industry machine

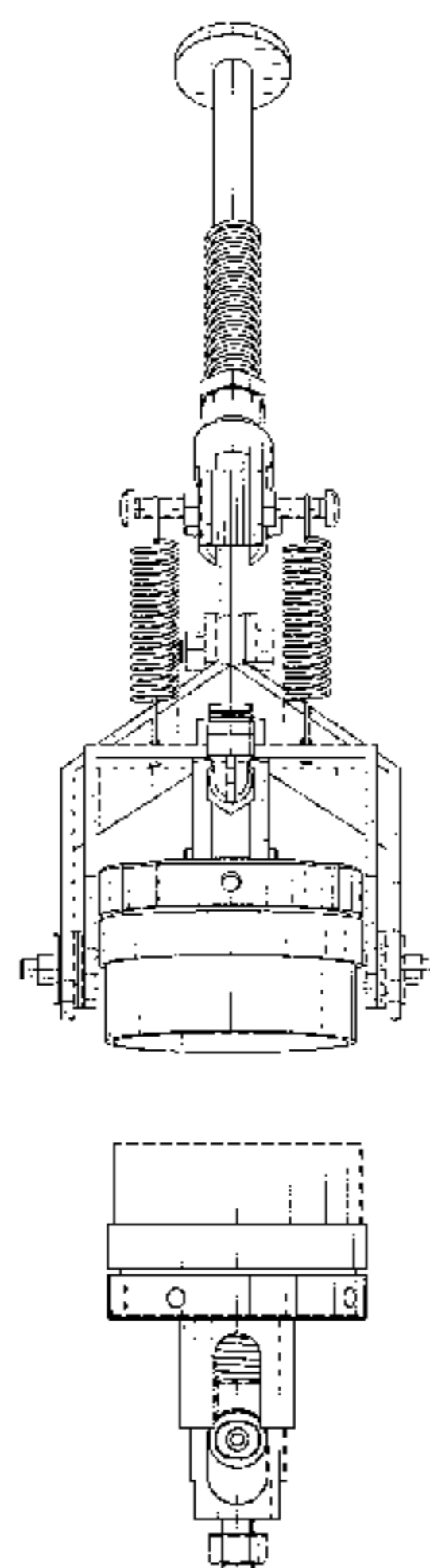
1.19: Top view of lower suction hand of the part of food industry machine

1.20: Bottom view of lower suction hand of the part of food industry machine

1.21: Reference view of combination of upper and lower suction hands of the part of food industry machine in use state

1.22: Reference view of combination of upper and lower suction hands of the part of food industry machine in use state

(Continued)



1.23: Reference view of combination of upper and lower suction hands of the part of food industry machine in use state

1.24: Reference view of combination of upper and lower suction hands of the part of food industry machine in use state

The reproductions **1.21** to **1.24** are a reference view showing the state in use of the claimed design; the broken lines disclosure in each of the reproductions **1.21** to **1.24** does not form part of the claimed design.

1 Claim, 21 Drawing Sheets

(52) **U.S. Cl.**

CPC **B01F 7/027** (2013.01)

(58) **Field of Classification Search**

CPC B01F 7/027; B01F 13/105; B01F 7/04

See application file for complete search history.

(56) **References Cited**

U.S. PATENT DOCUMENTS

D541,310 S * 4/2007 Zagorov D15/147

D598,036 S * 8/2009 Bergstraesser D15/147

D902,959 S * 11/2020 Liao D15/7

* cited by examiner

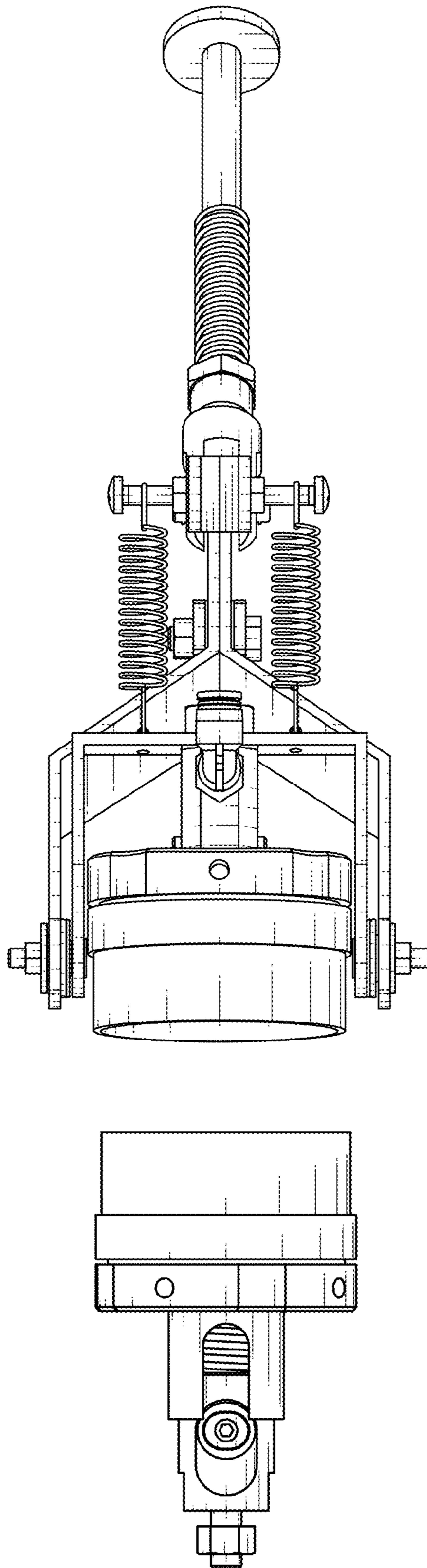


FIG. 1.1

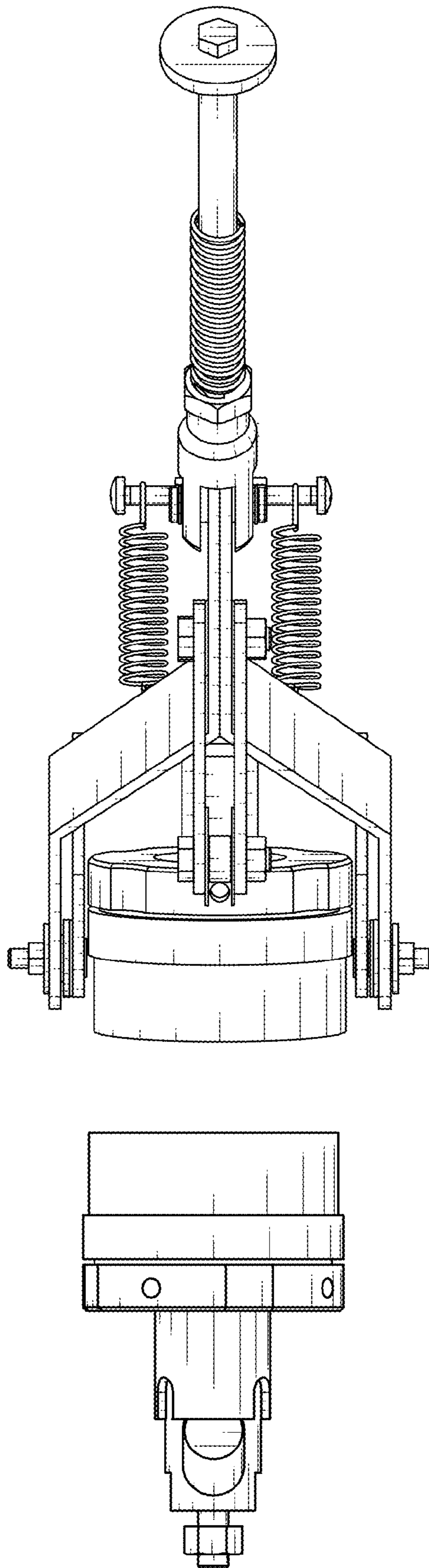


FIG. 1.2

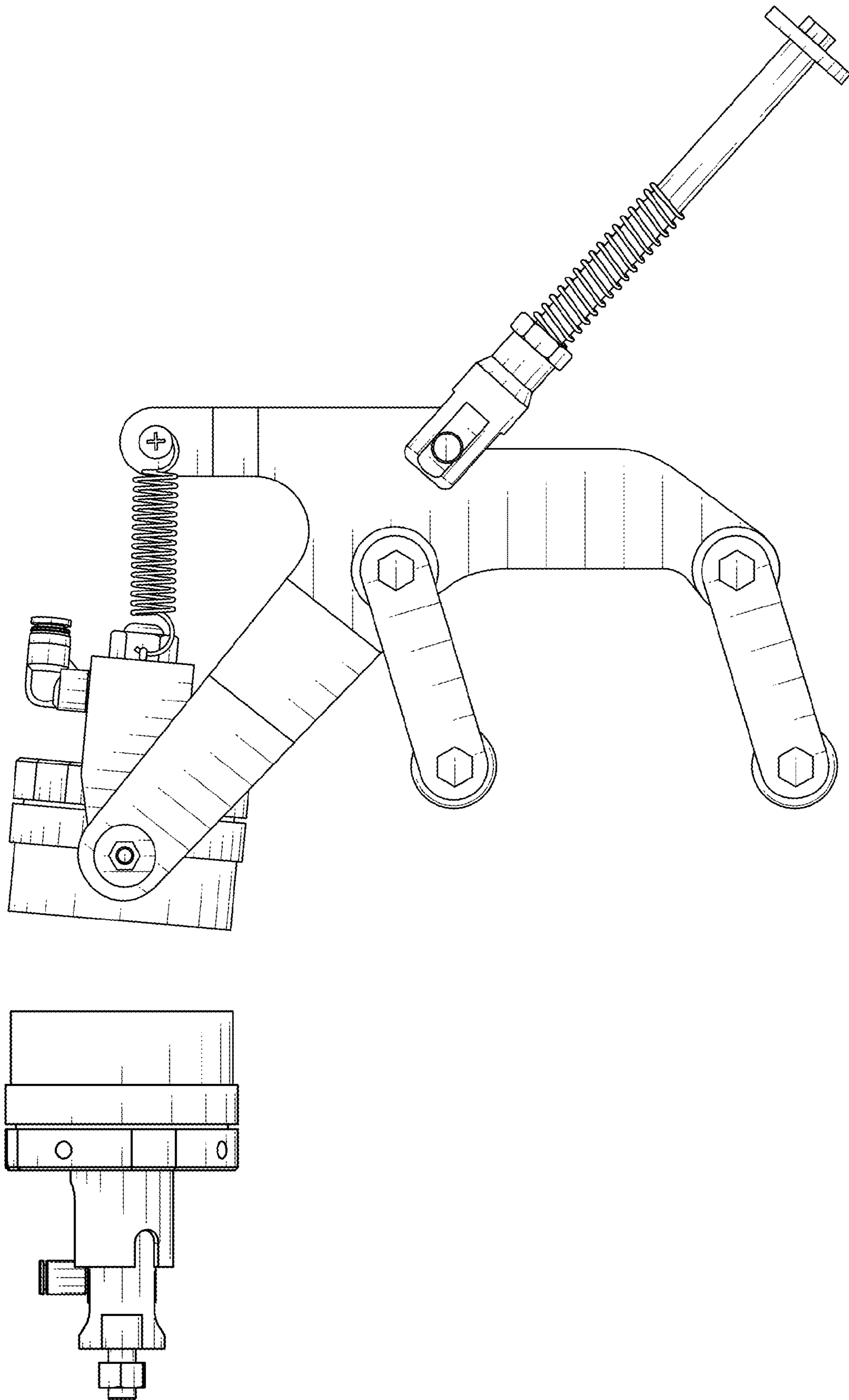


FIG. 1.3

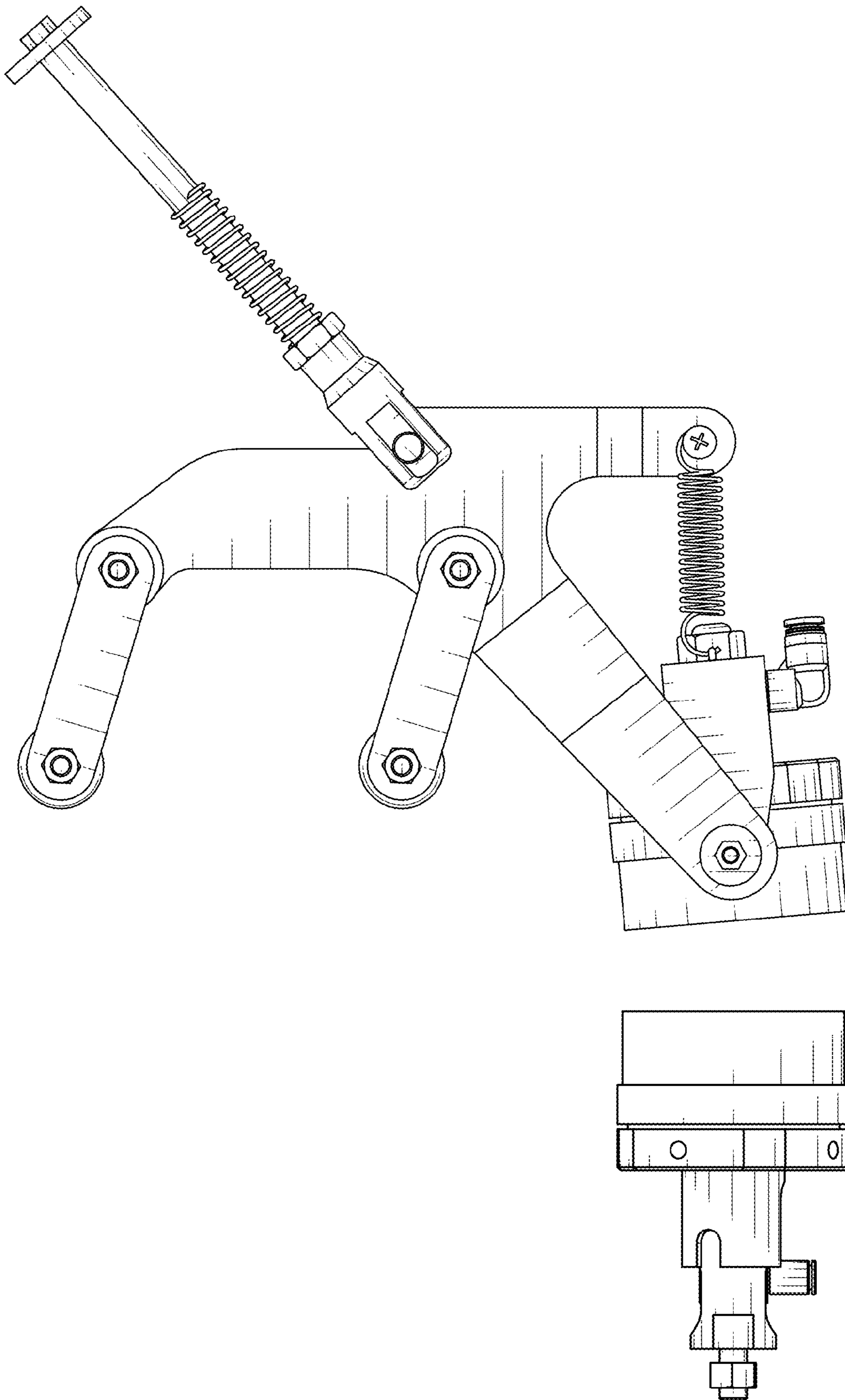


FIG. 1.4

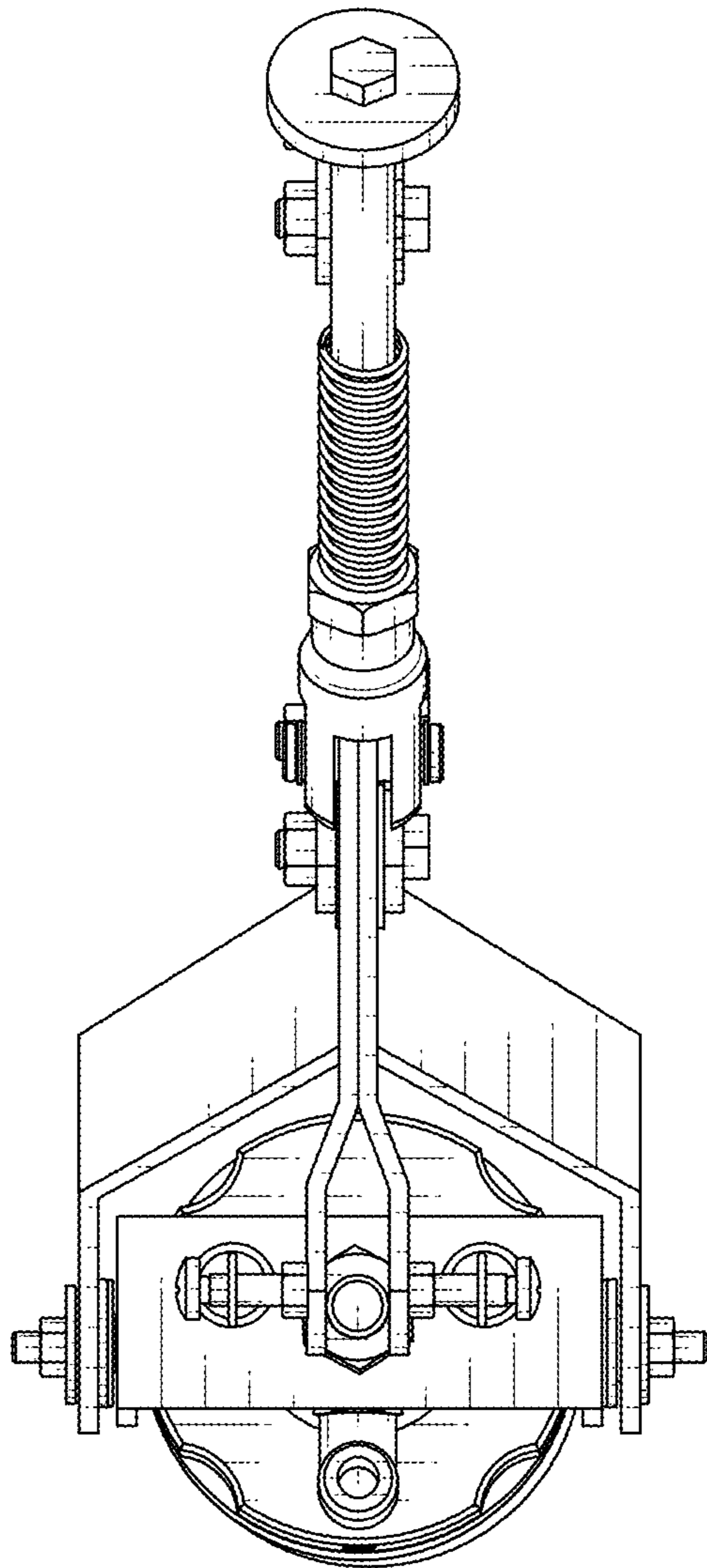


FIG. 1.5

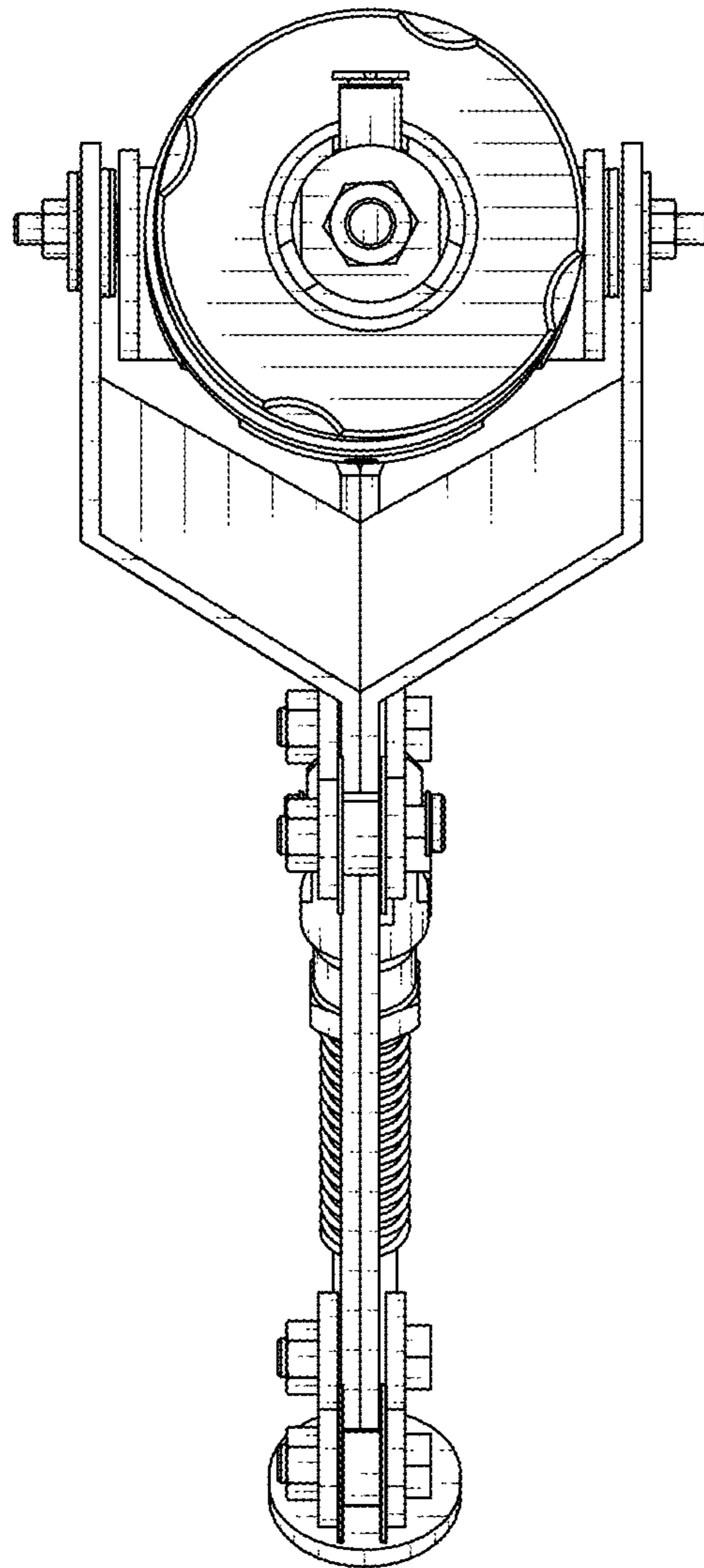


FIG. 1.6

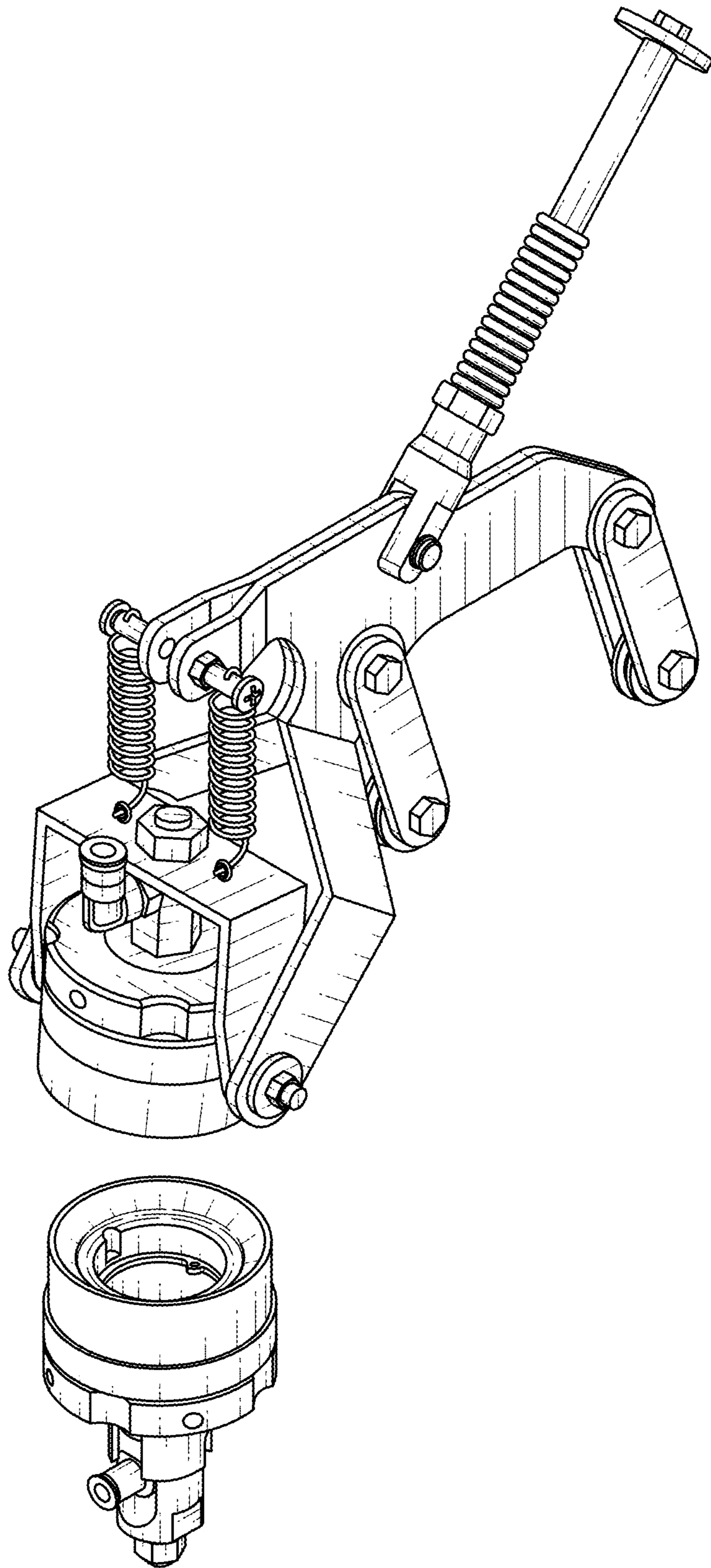


FIG. 1.7

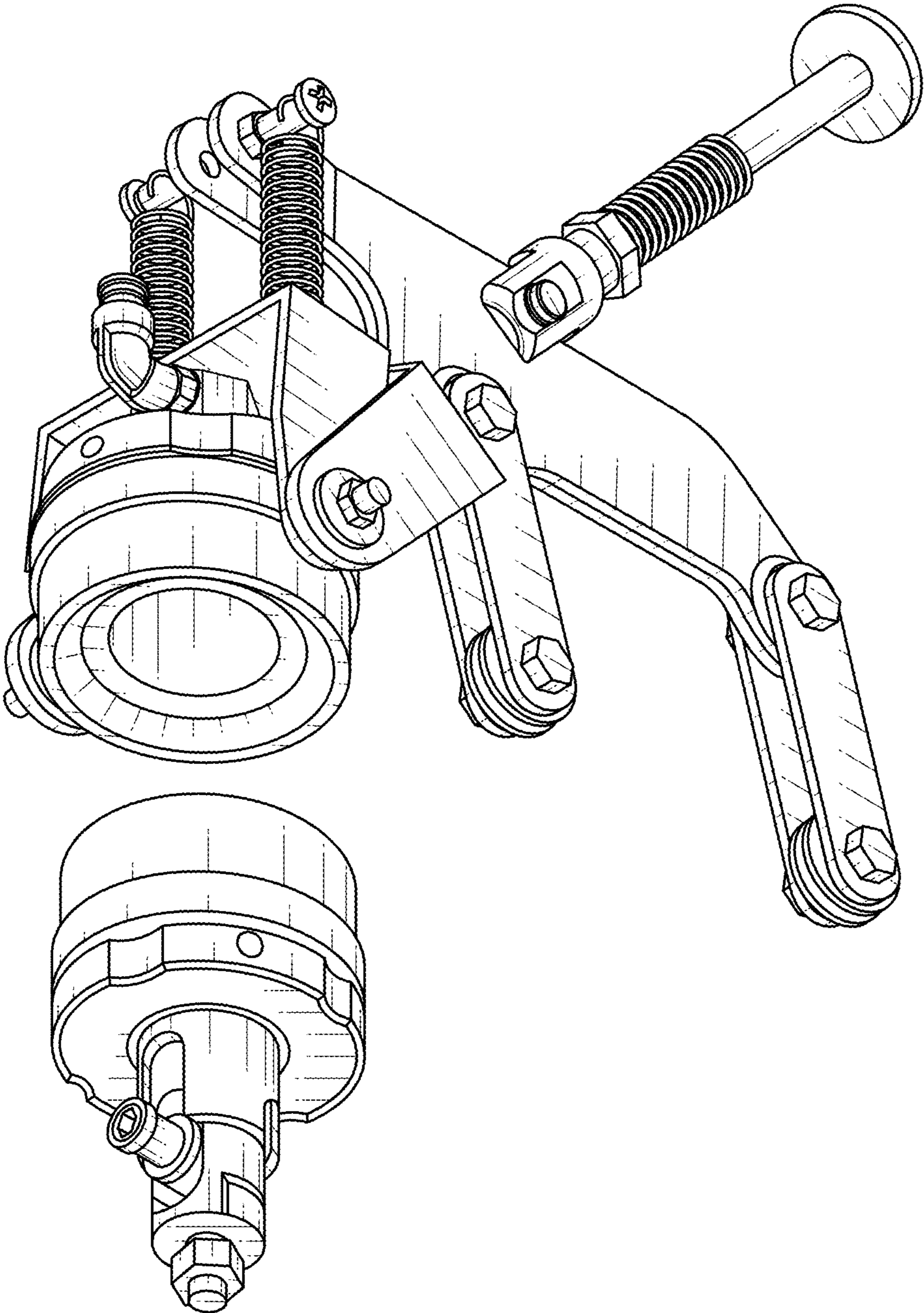


FIG. 1.8

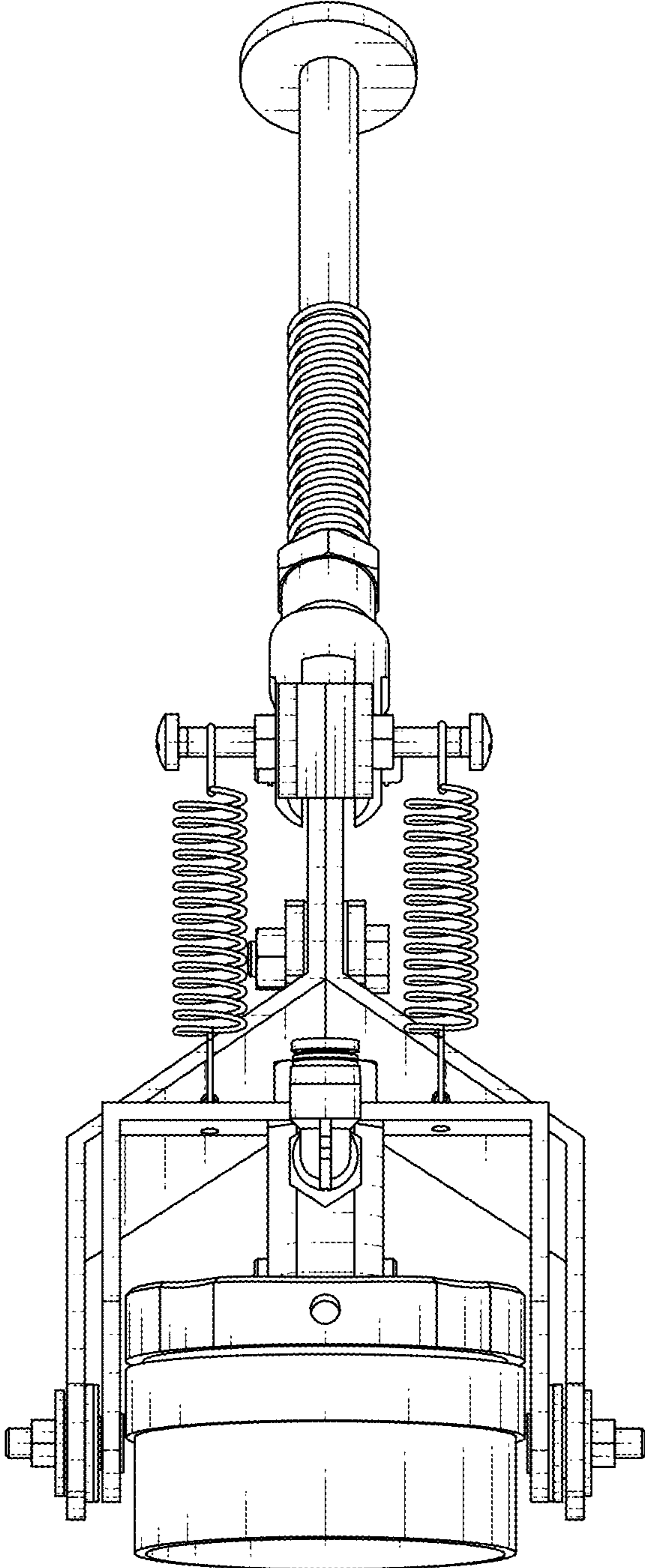


FIG. 1.9

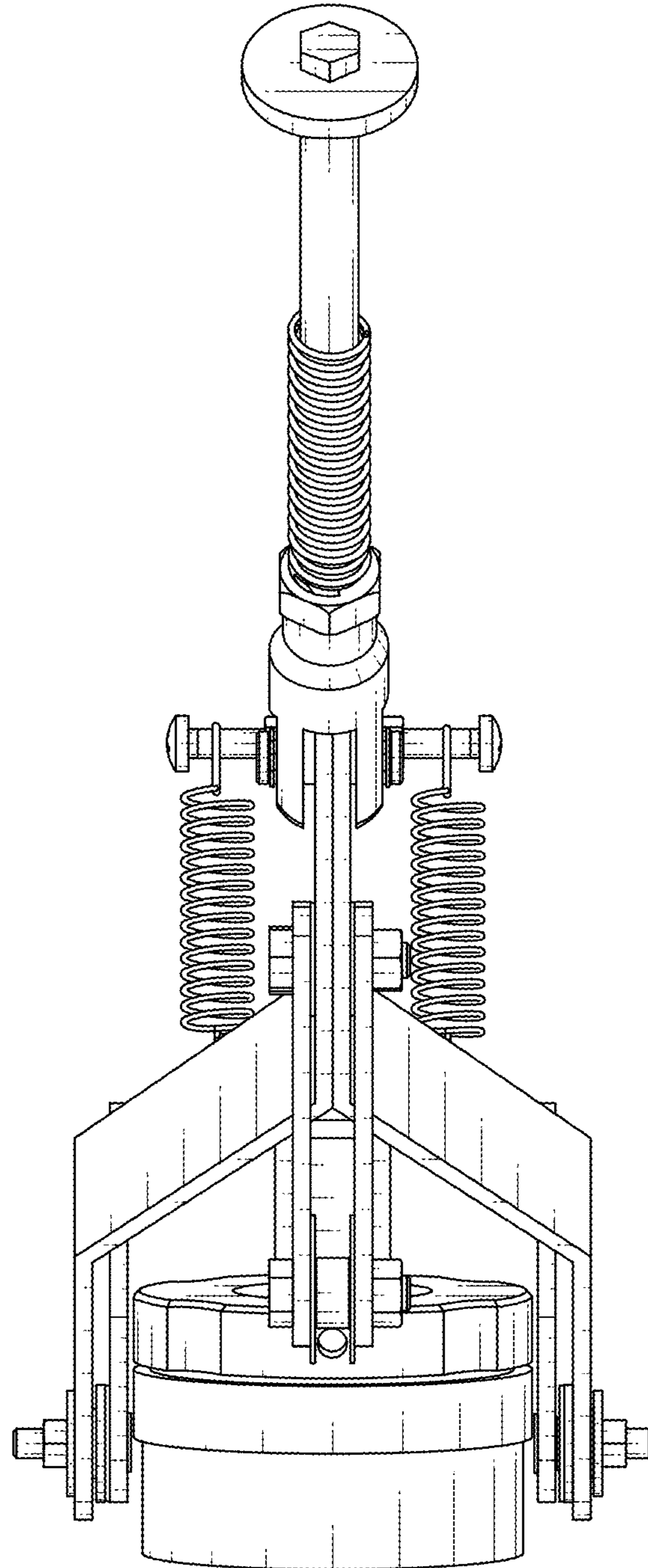


FIG. 1.10

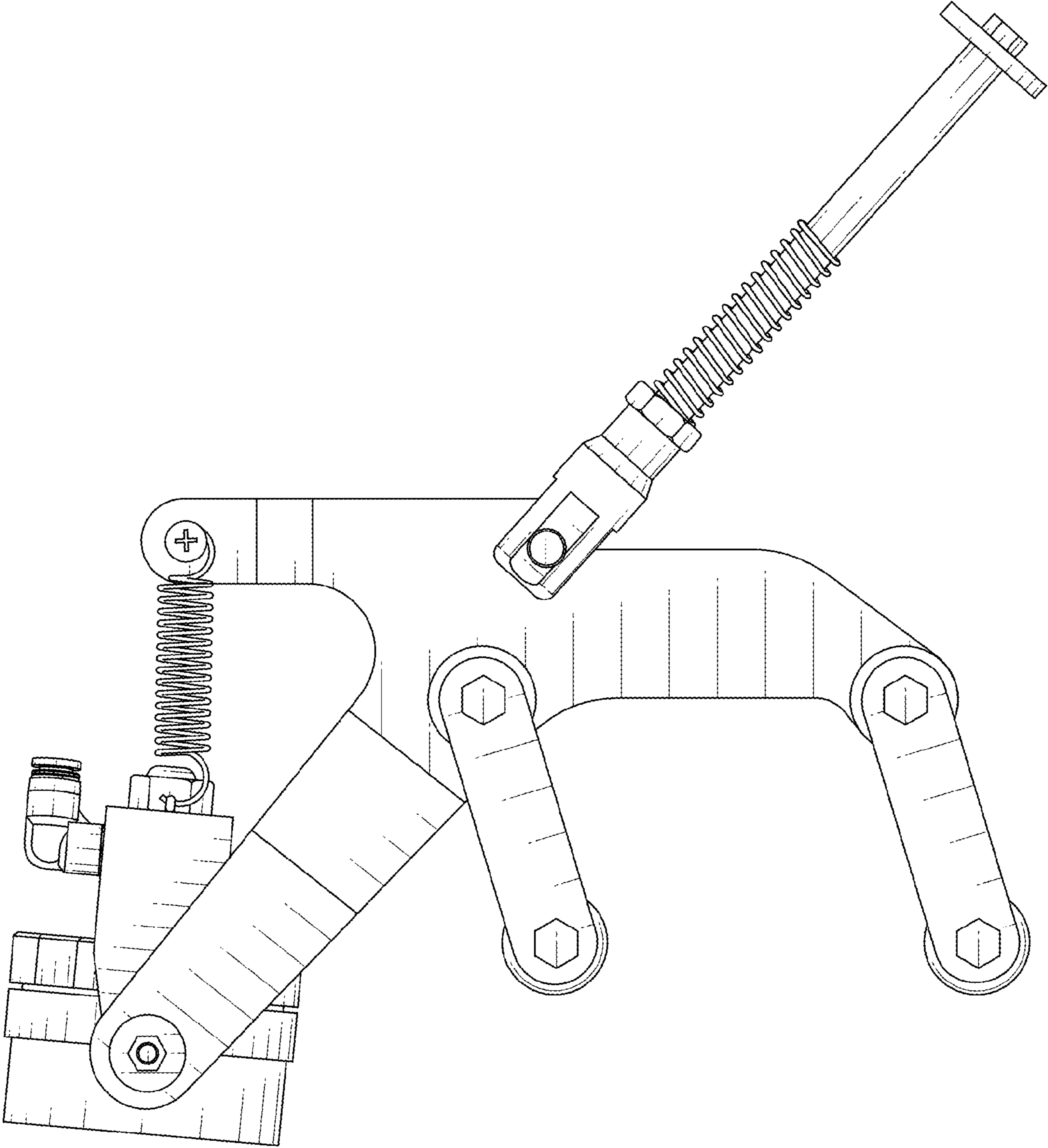


FIG. 1.11

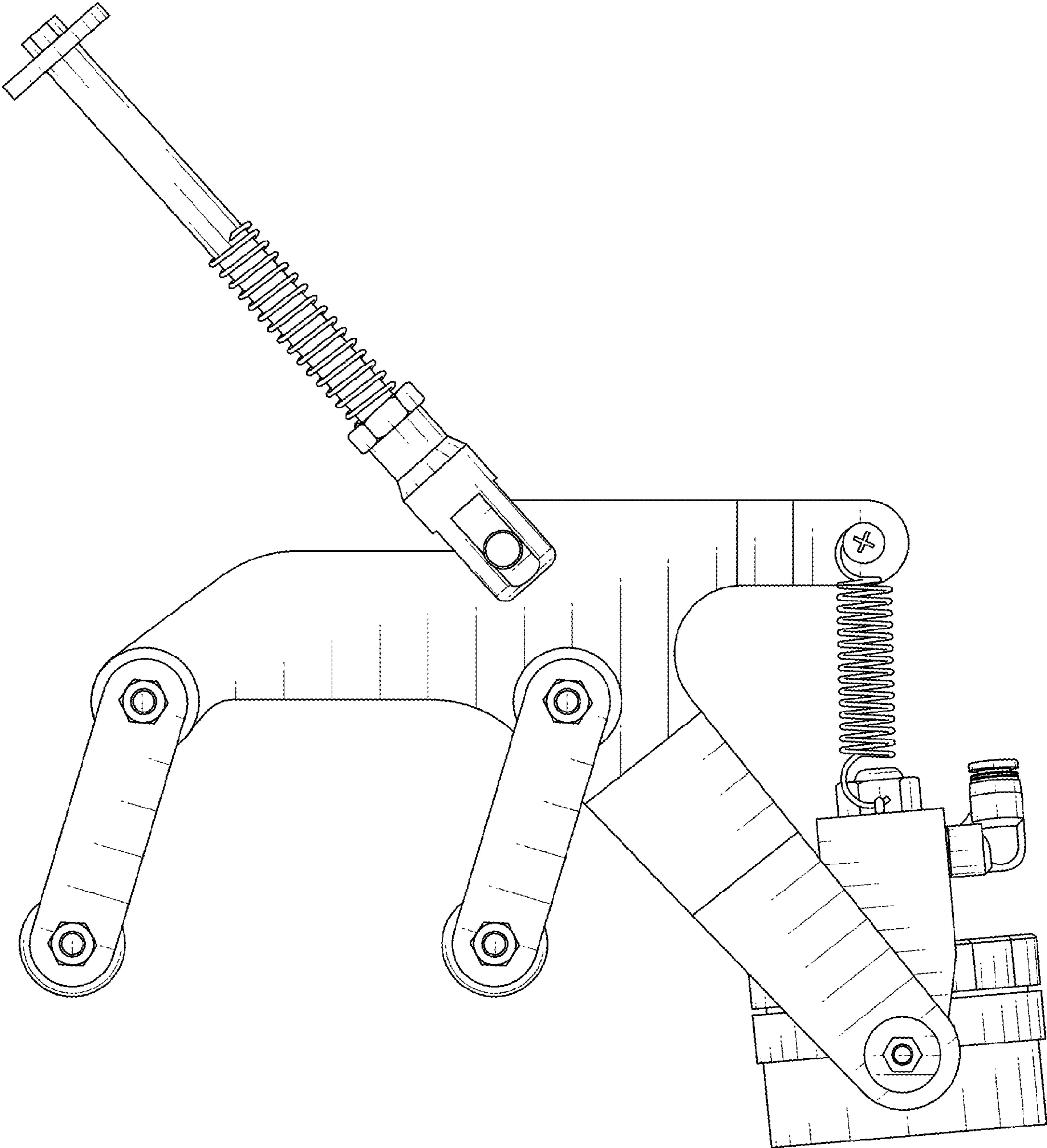


FIG. 1.12

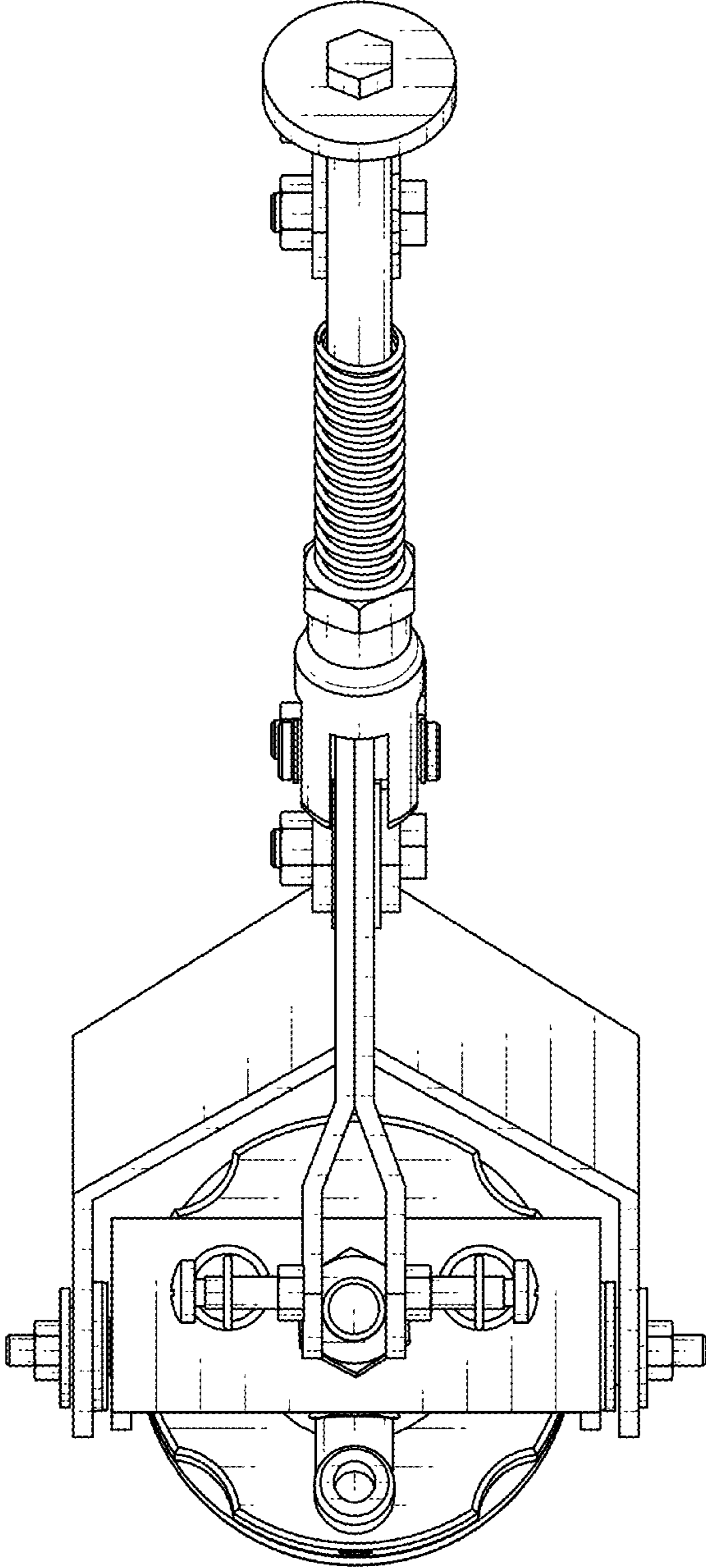


FIG. 1.13

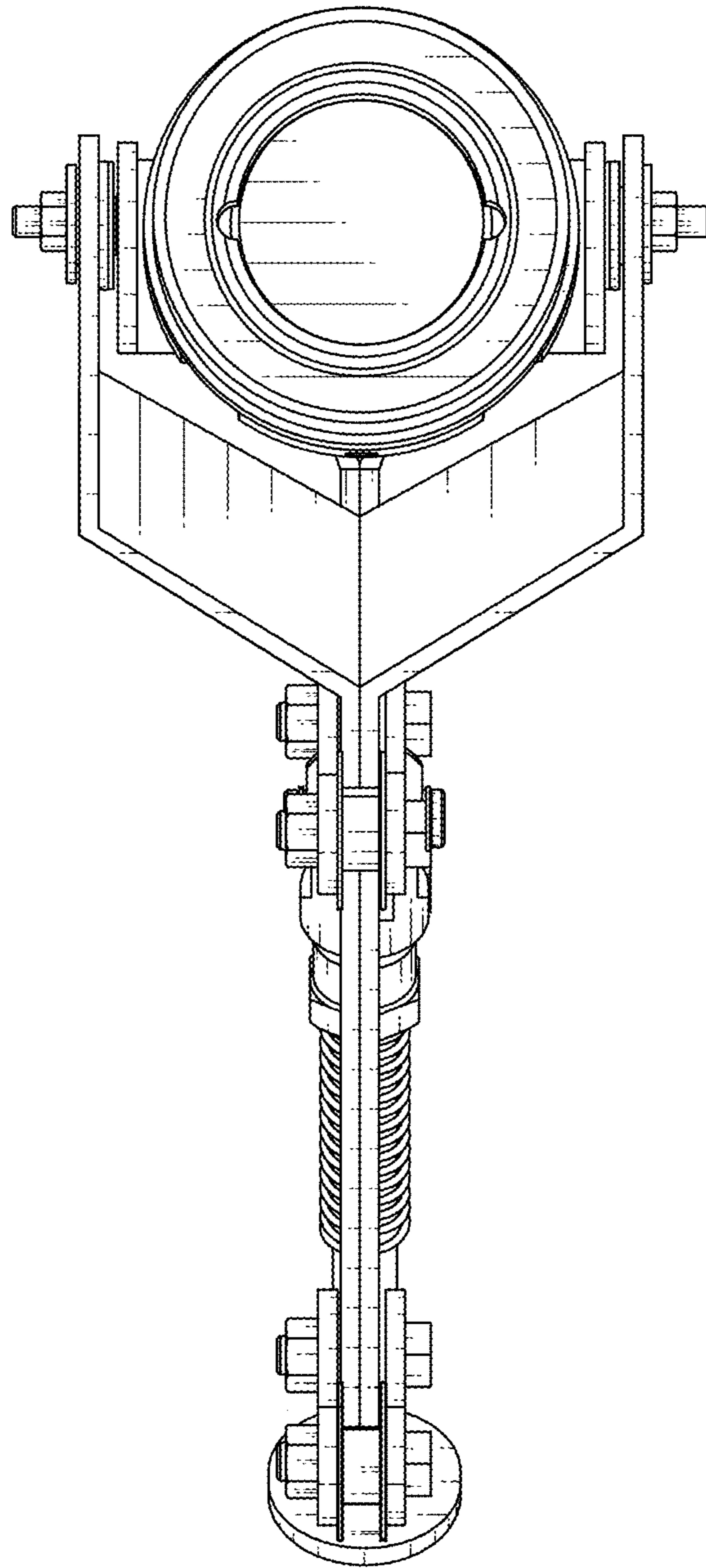


FIG. 1.14

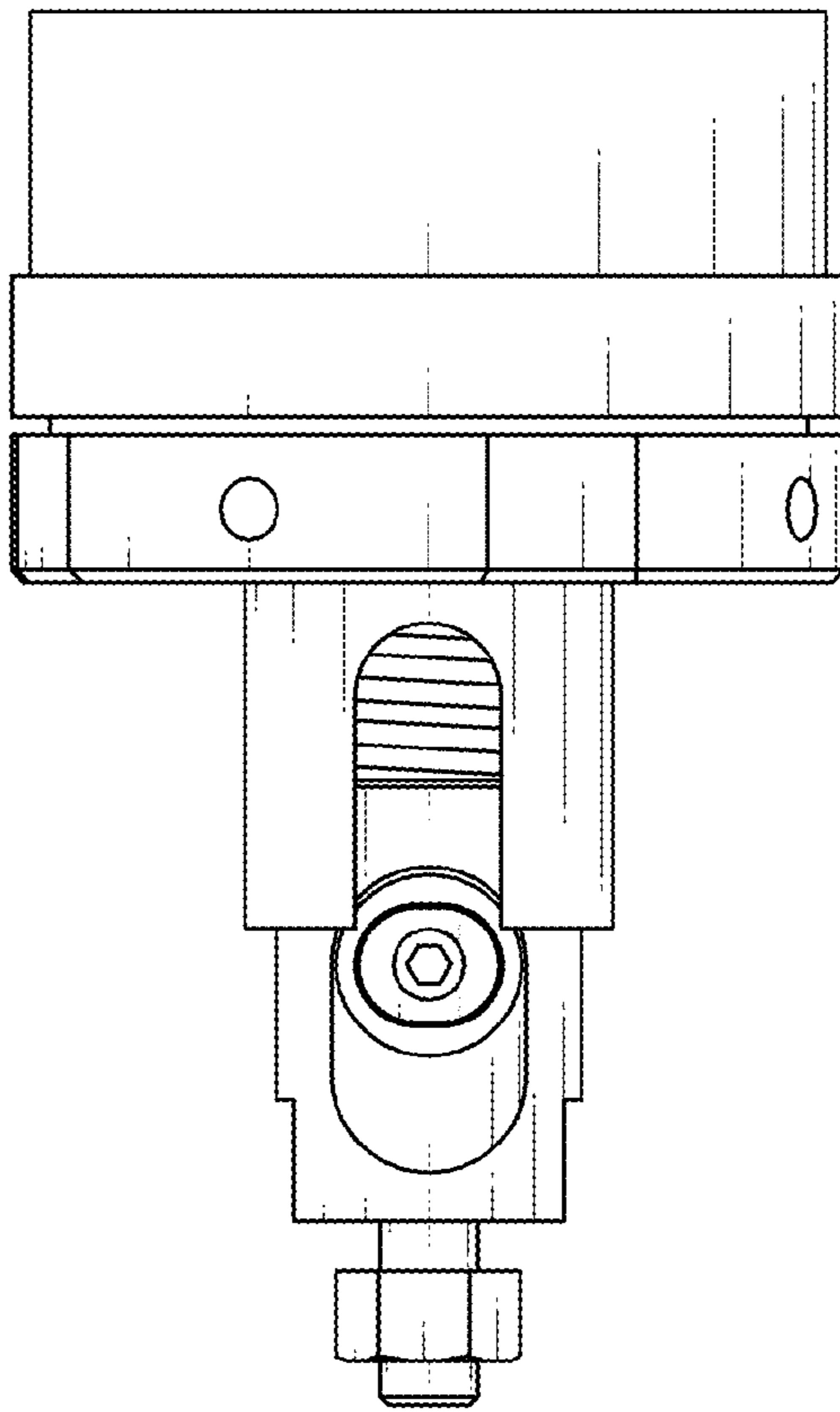


FIG. 1.15

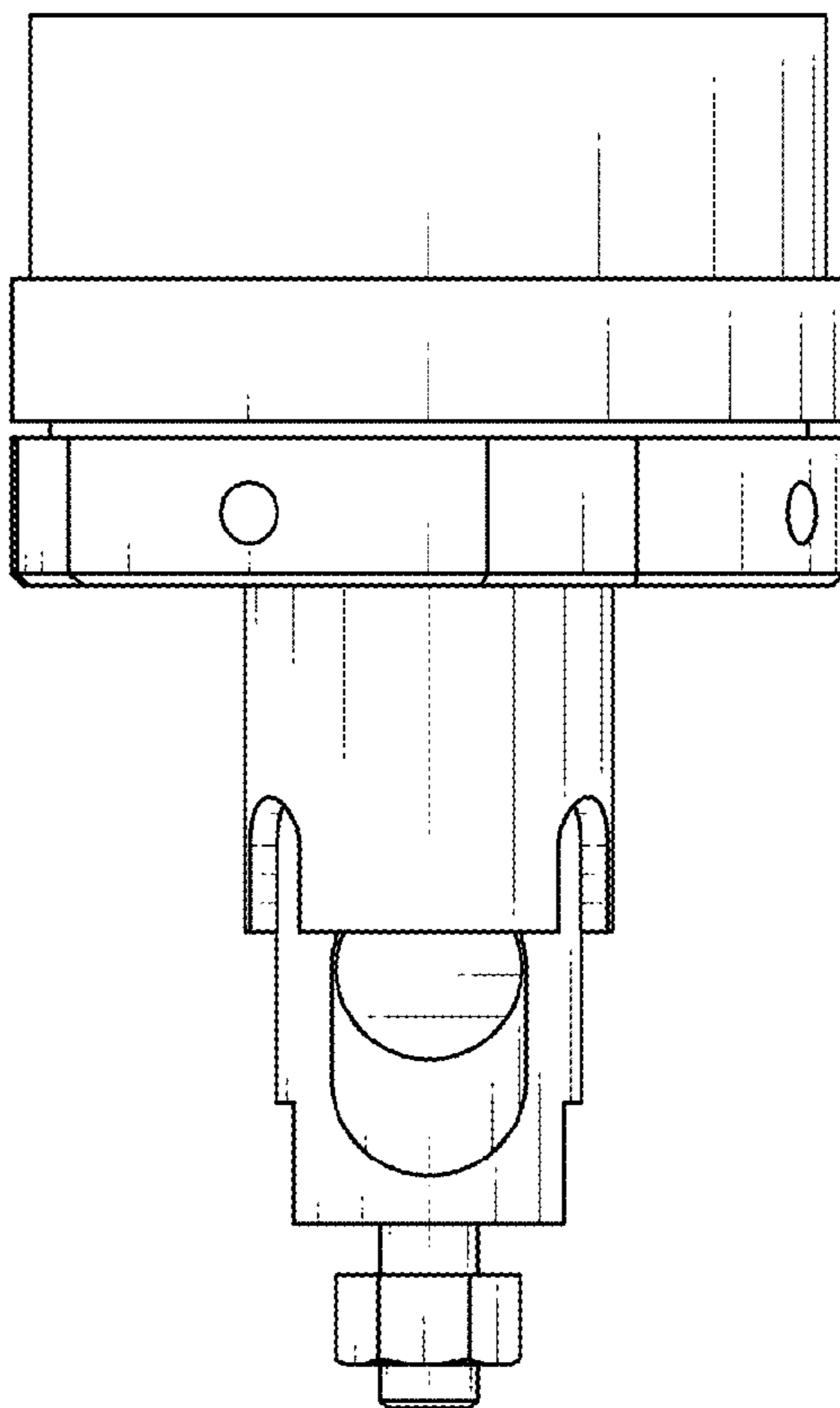


FIG. 1.16

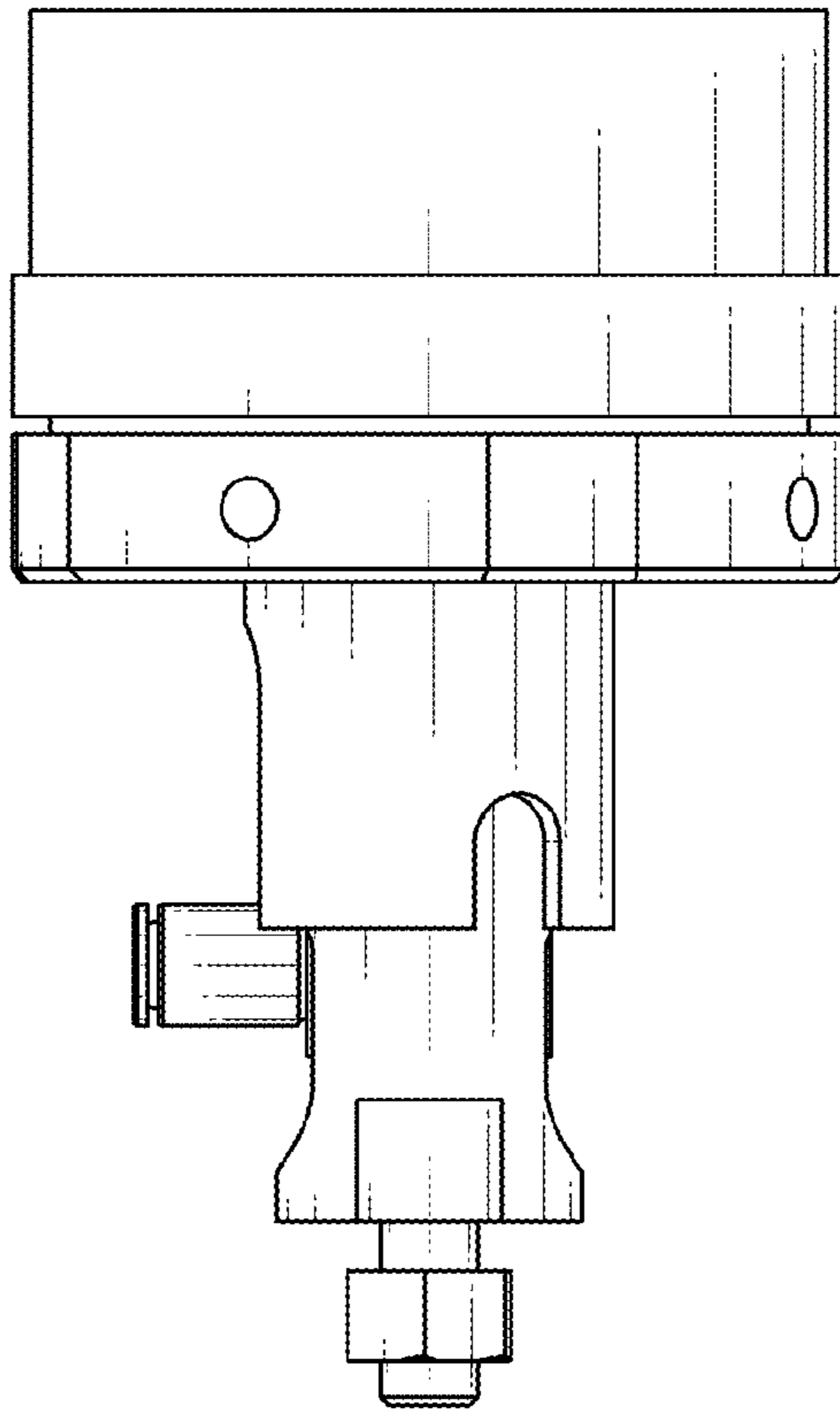


FIG. 1.17

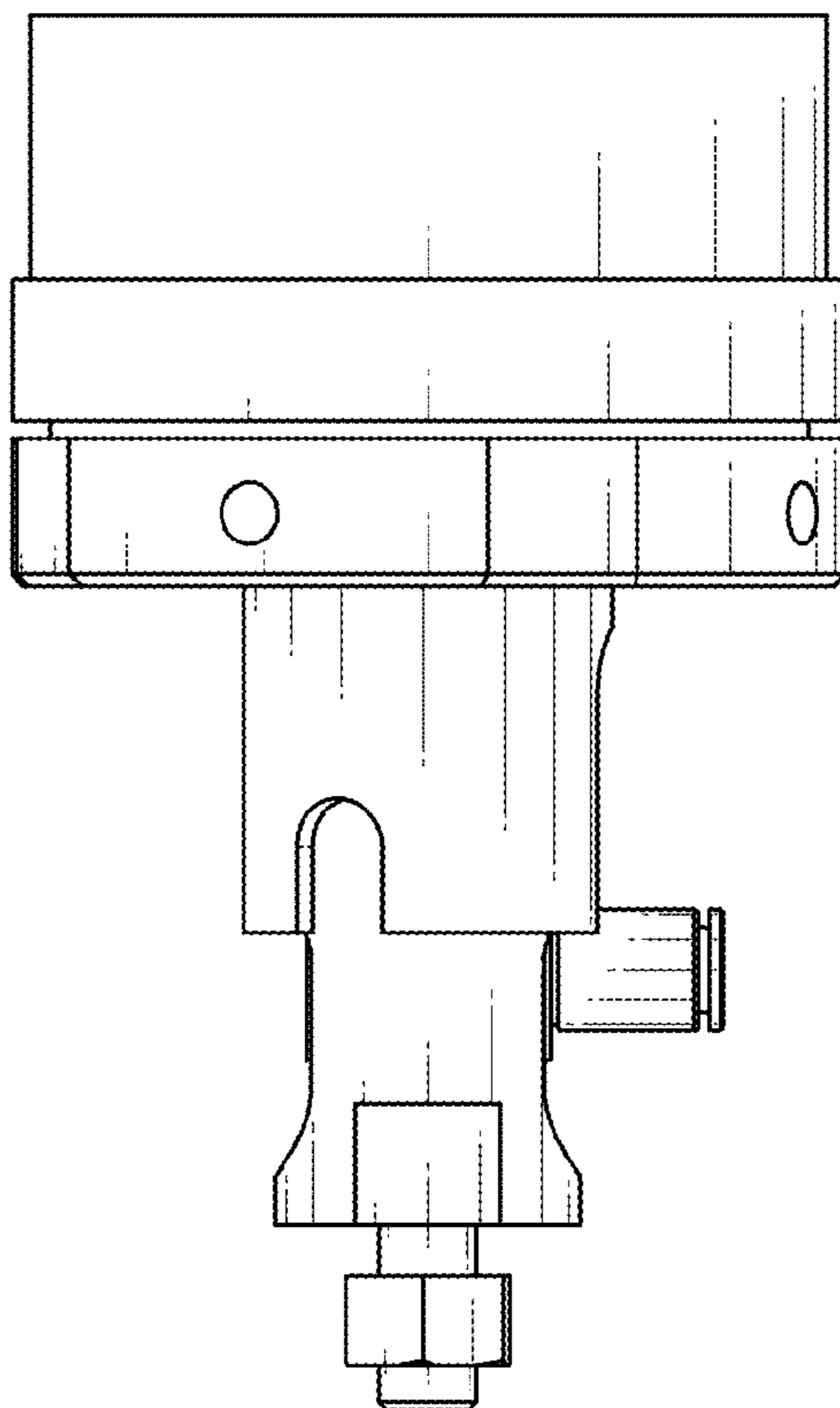


FIG. 1.18

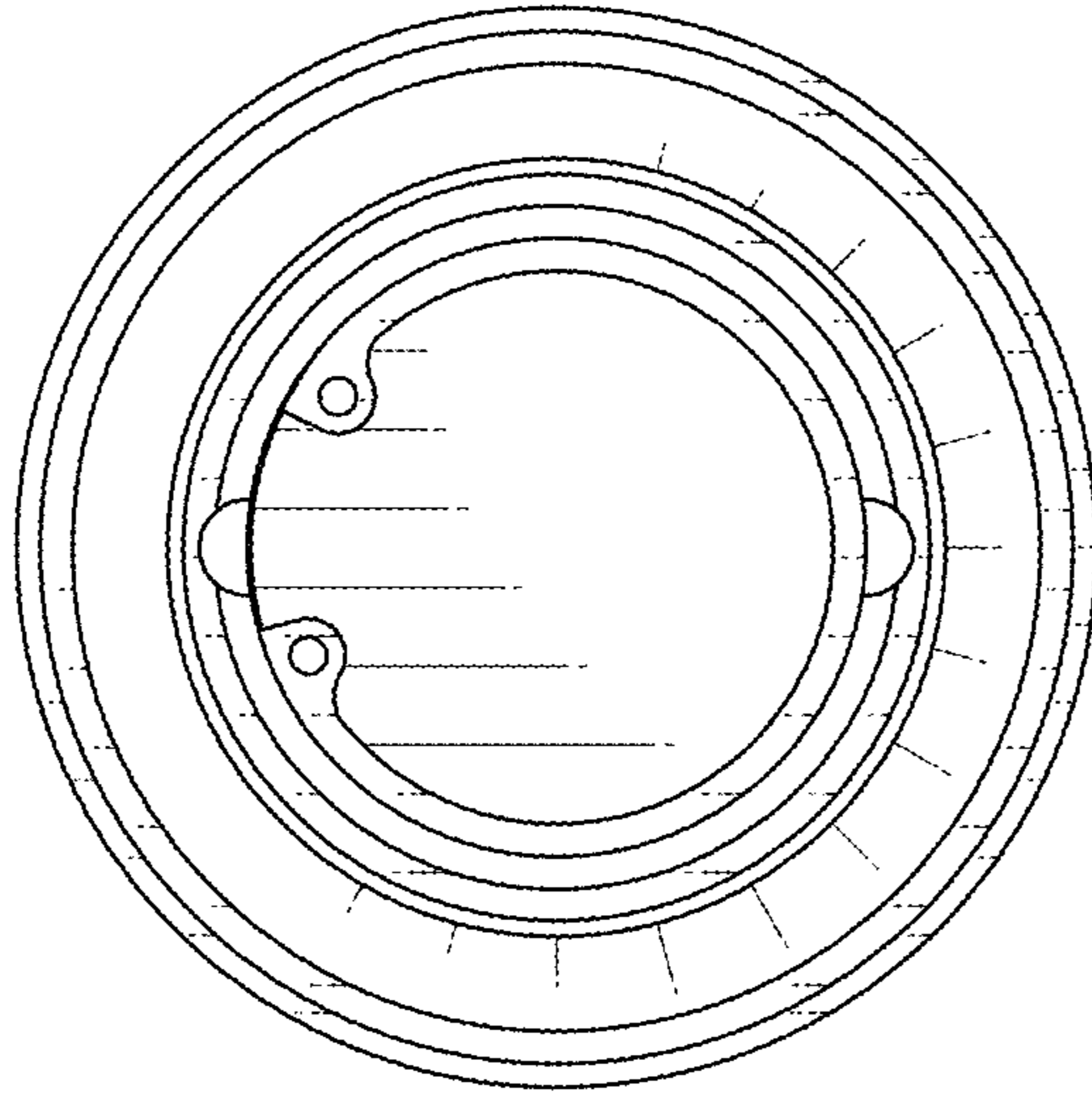


FIG. 1.19

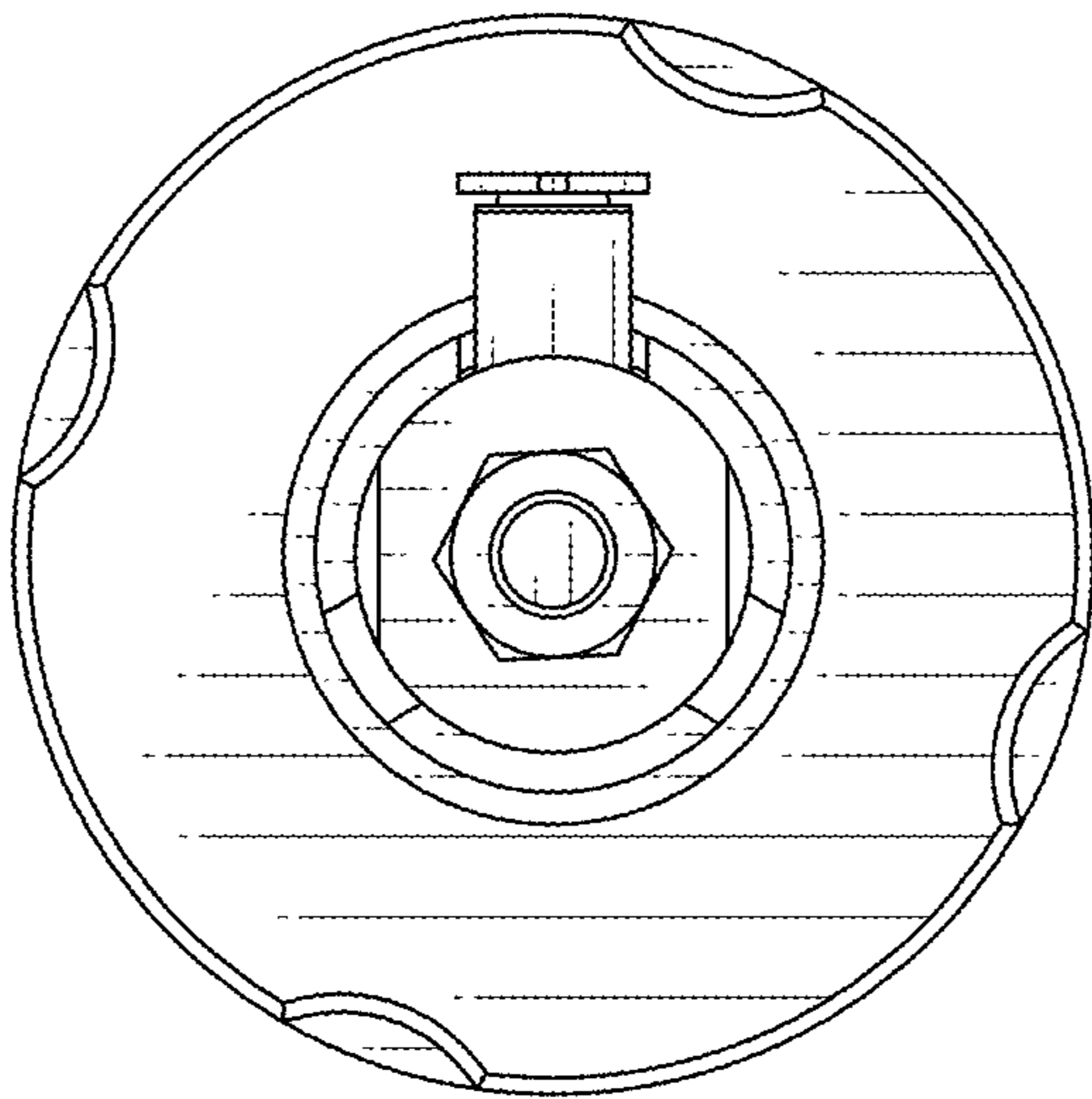


FIG. 1.20

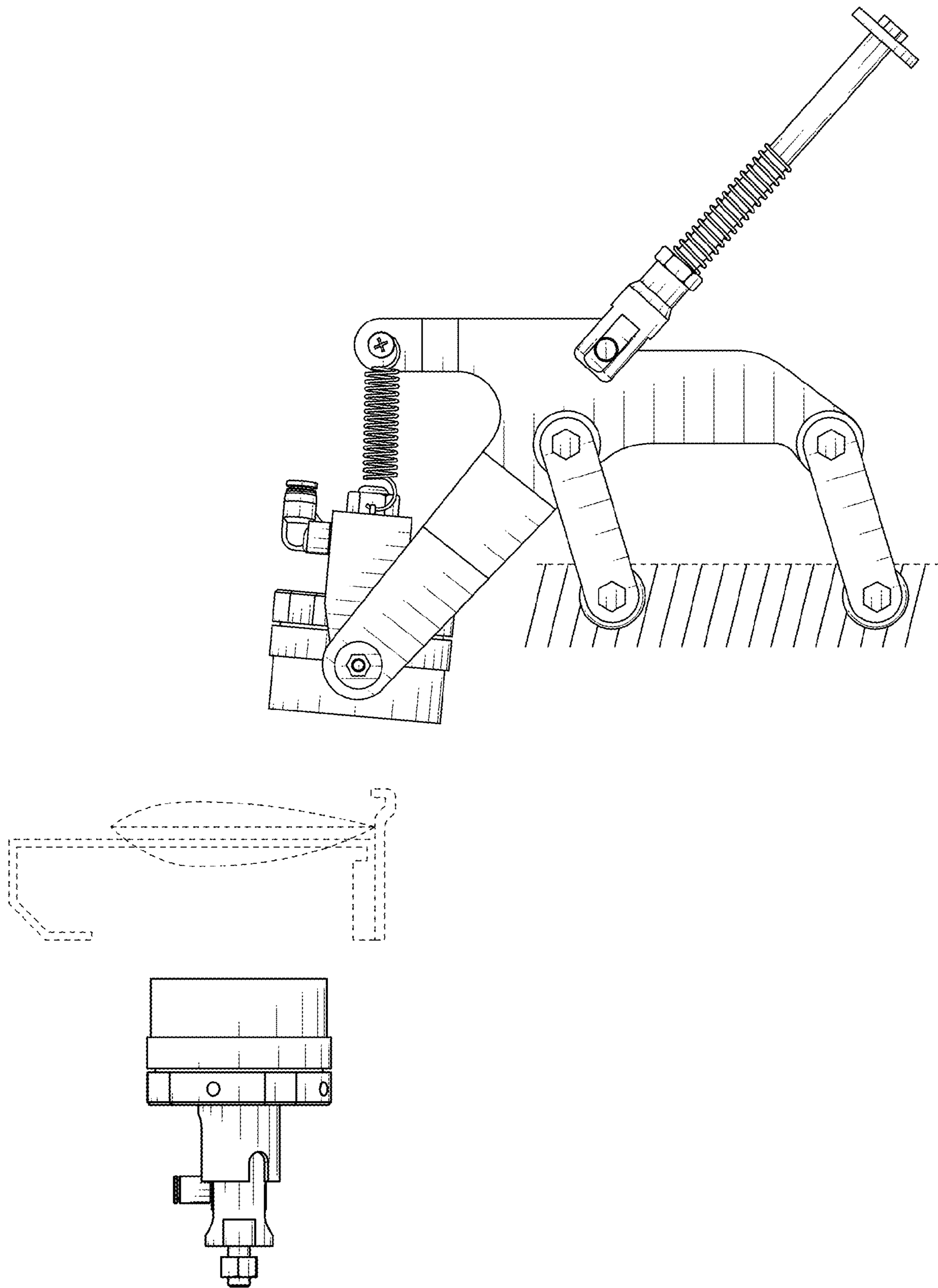


FIG. 1.21

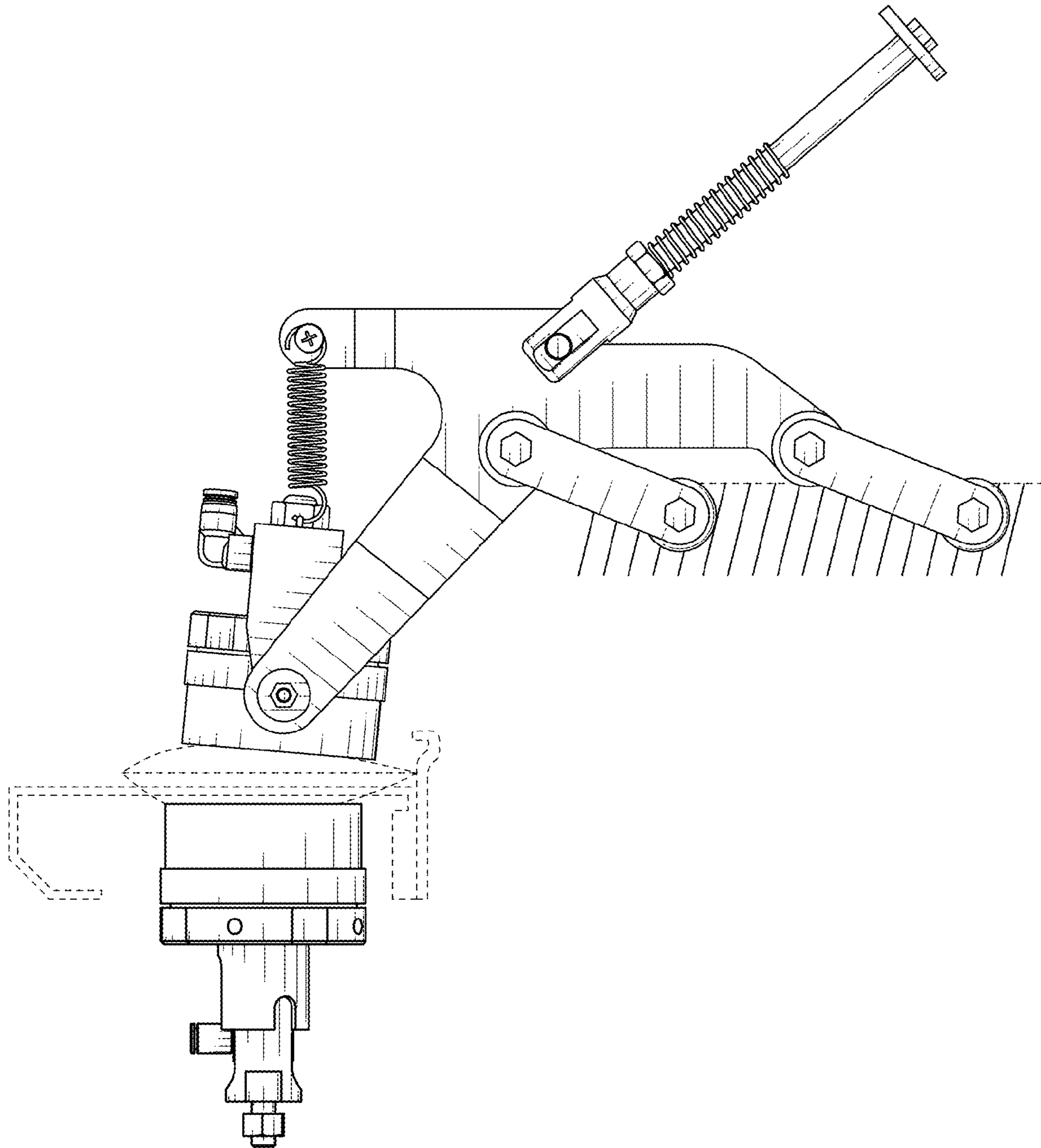


FIG. 1.22

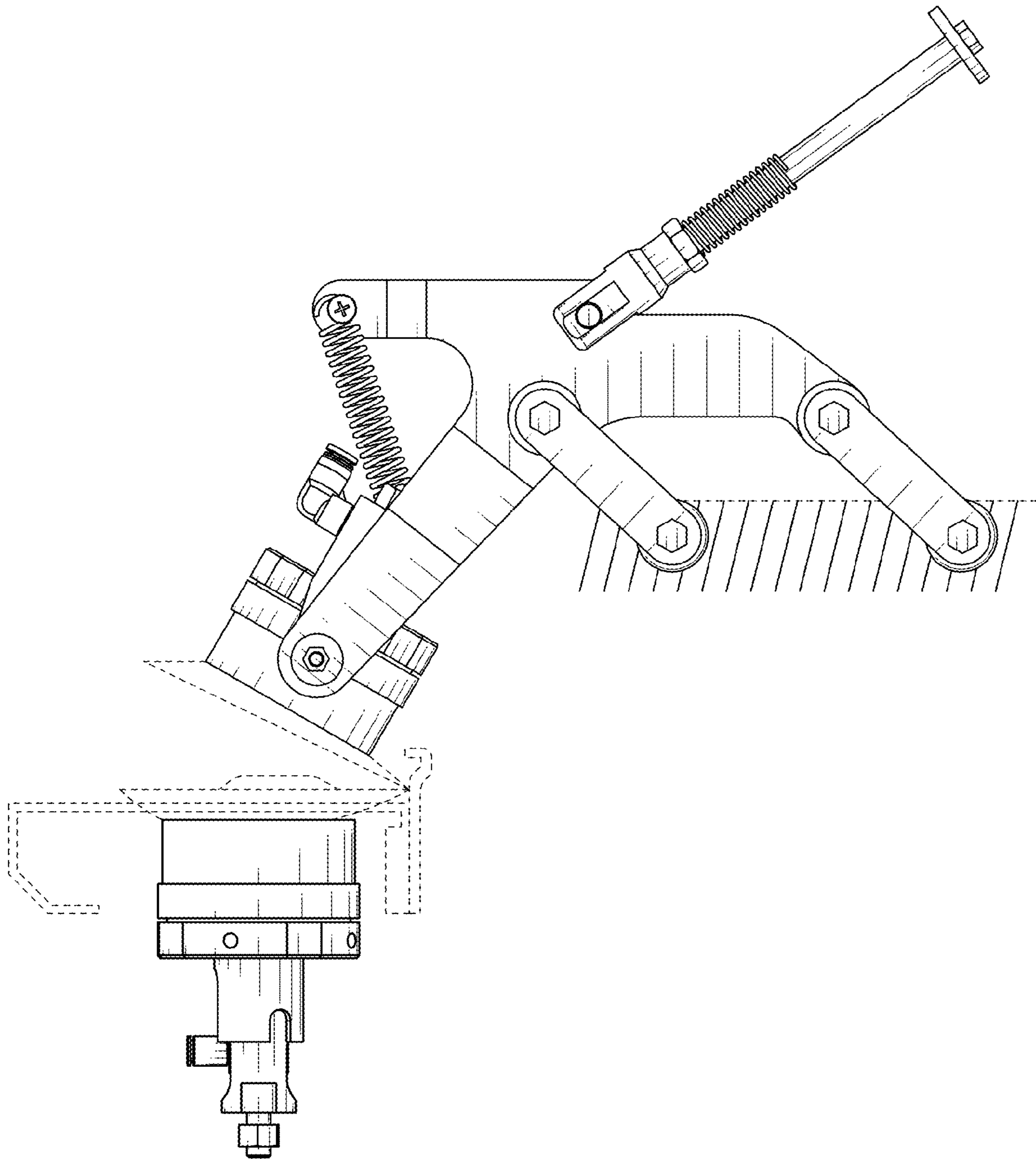


FIG. 1.23

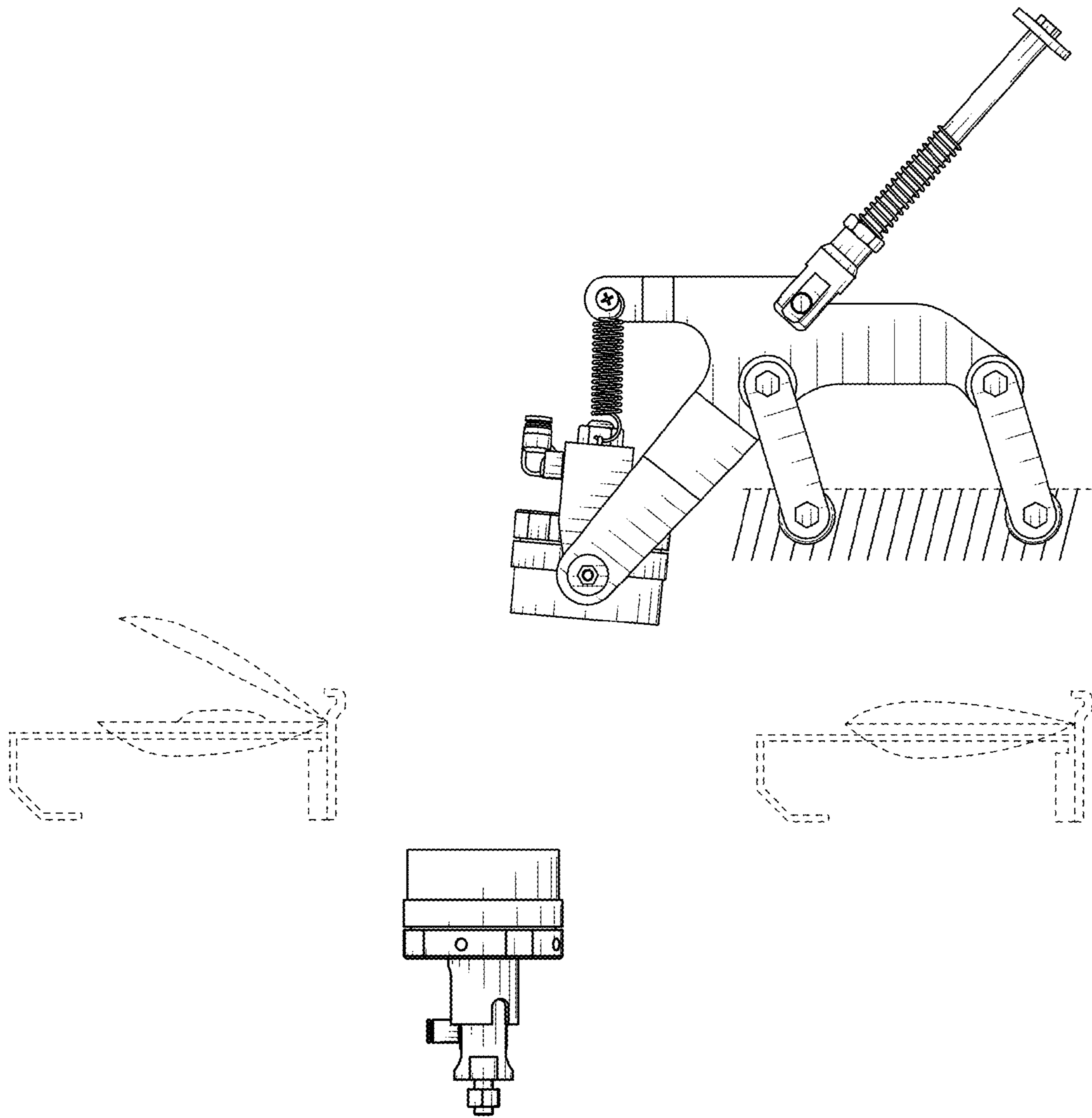


FIG. 1.24