



US00D934929S

(12) **United States Design Patent** (10) **Patent No.:** **US D934,929 S**
Kremerman (45) **Date of Patent:** **** Nov. 2, 2021**

(54) **HOUSING FOR SPINDLES AND ROTARY BELT**

(71) Applicant: **Elliot Kremerman**, Los Gatos, CA (US)

(72) Inventor: **Elliot Kremerman**, Los Gatos, CA (US)

(**) Term: **15 Years**

(21) Appl. No.: **29/773,941**

(22) Filed: **Mar. 12, 2021**

Related U.S. Application Data

(63) Continuation-in-part of application No. 17/101,120, filed on Nov. 23, 2020, now Pat. No. 11,084,009.

(60) Provisional application No. 63/080,209, filed on Sep. 18, 2020.

(51) **LOC (13) Cl.** **15-09**

(52) **U.S. Cl.**
USPC **D15/138**

(58) **Field of Classification Search**
USPC D13/183; D15/122, 138, 147, 199; D24/216, 220

CPC B01D 3/085; B01F 9/0034; B01F 9/10; B01F 13/08; B01F 15/065; B01F 15/00175; B01F 15/06; B01F 2015/062; B01L 9/00; C10L 31/10

See application file for complete search history.

(56) **References Cited**

U.S. PATENT DOCUMENTS

- 3,206,173 A * 9/1965 Burger B01F 7/00475
366/274
- 4,061,290 A 12/1977 Harrill
- 4,702,888 A * 10/1987 Borgialli B01F 15/00396
366/307
- 5,180,116 A 1/1993 Urayama et al.

- 5,359,846 A * 11/1994 Miyamoto D01H 4/40
57/417
- 6,039,469 A * 3/2000 Palmer B01F 7/042
366/301
- 6,213,425 B1 4/2001 Umeki et al.
- 7,575,498 B2 * 8/2009 Perry A63H 33/26
446/138
- 8,579,261 B1 11/2013 Liao
- 2008/0067164 A1 * 3/2008 Kuo B23K 3/027
219/242
- 2014/0376328 A1 * 12/2014 Ikushima B01F 13/08
366/191
- 2015/0117138 A1 * 4/2015 Pozzan B28C 5/166
366/145
- 2019/0134583 A1 * 5/2019 Lautenschlager ... B01F 13/0818

* cited by examiner

Primary Examiner — Patricia A Palasik

(74) *Attorney, Agent, or Firm* — Michael J. Feigin, Esq.; Feigin and Fridman LLC

(57) **CLAIM**

The ornamental design for a housing for spindles and rotary belt, as shown and described.

DESCRIPTION

FIG. 1 shows a top and side perspective view of a housing for spindles and rotary belt.

FIG. 2 shows a reverse bottom and side perspective view thereof.

FIG. 3 shows a first elevation view thereof.

FIG. 4 shows a second elevation view thereof.

FIG. 5 shows a third side elevation view thereof.

FIG. 6 shows a fourth side elevation view thereof.

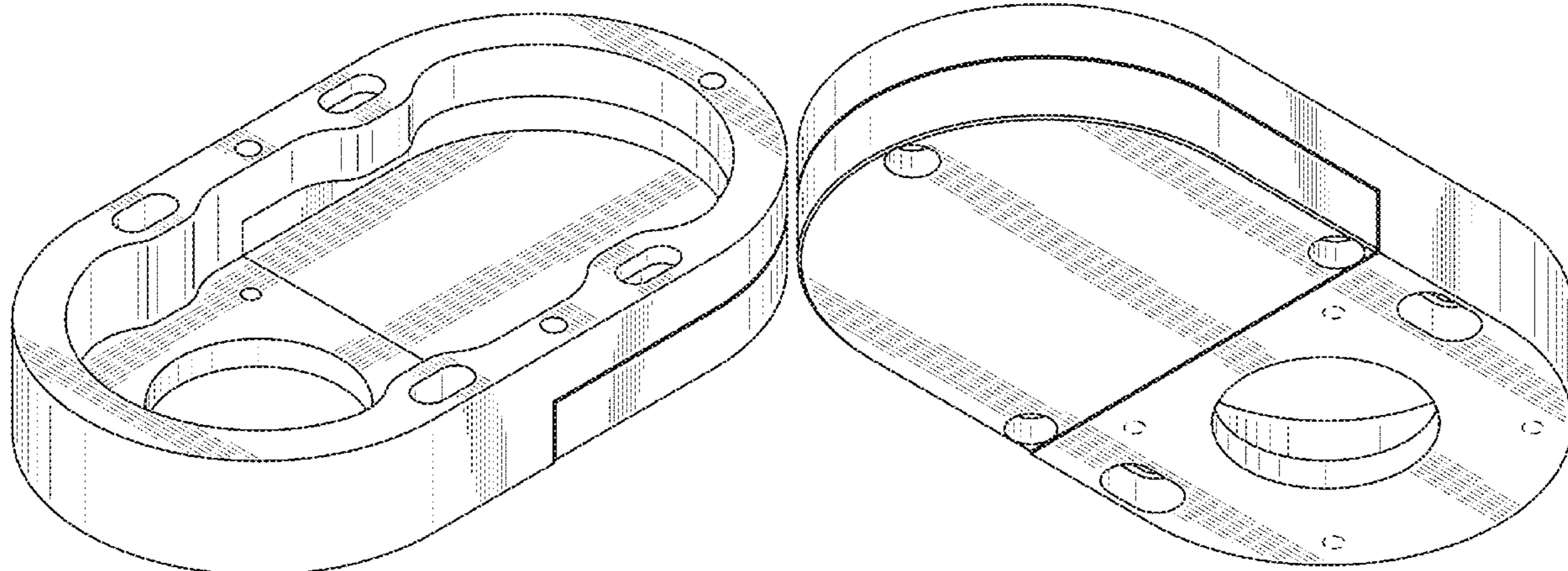
FIG. 7 shows a top plan view thereof.

FIG. 8 shows a bottom plan view thereof; and,

FIG. 9 shows a sectional view cut along section line 9-9 of FIG. 7.

The broken lines in the drawings depict unclaimed environmental subject matter.

1 Claim, 4 Drawing Sheets



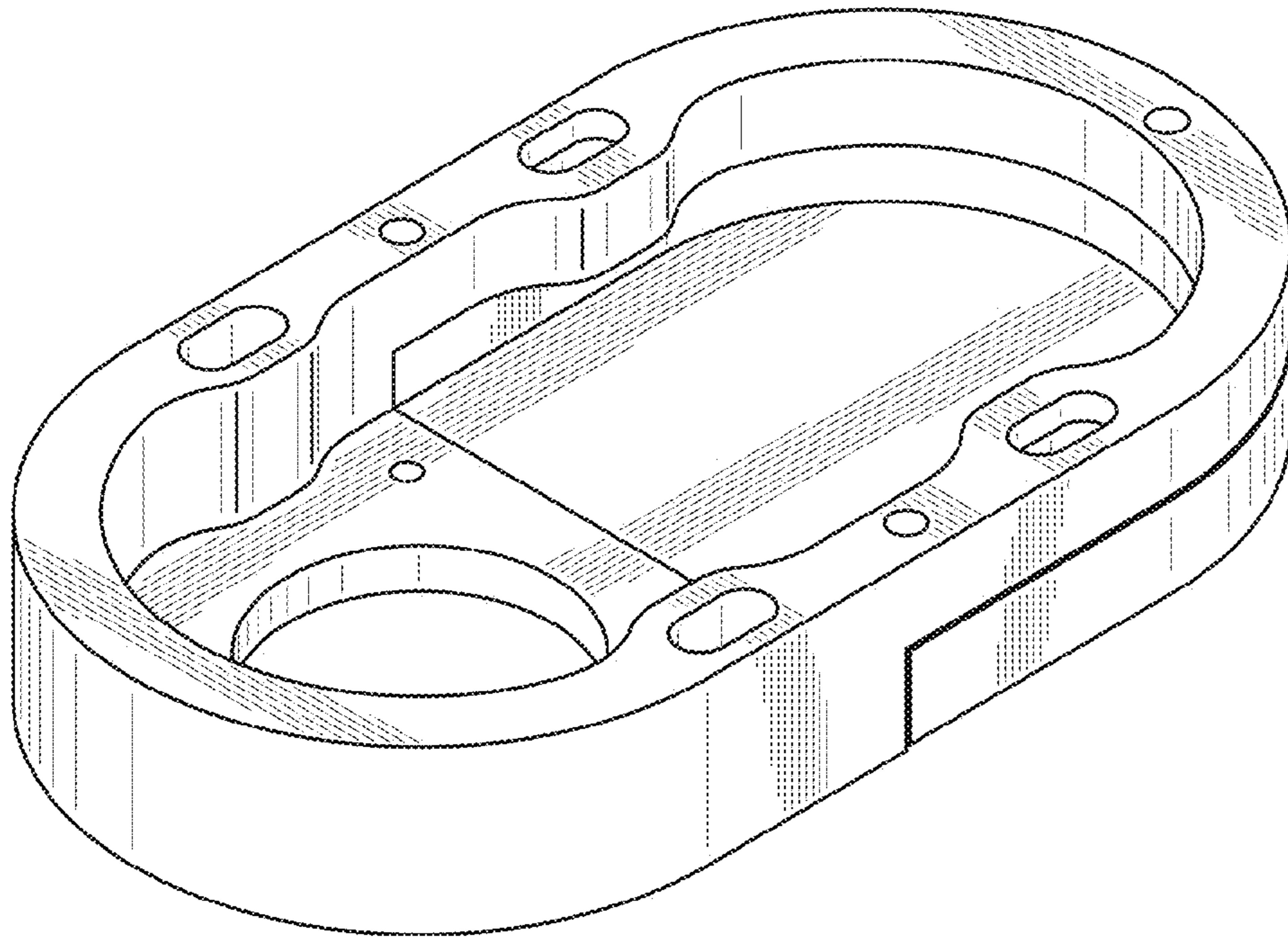


FIG. 1

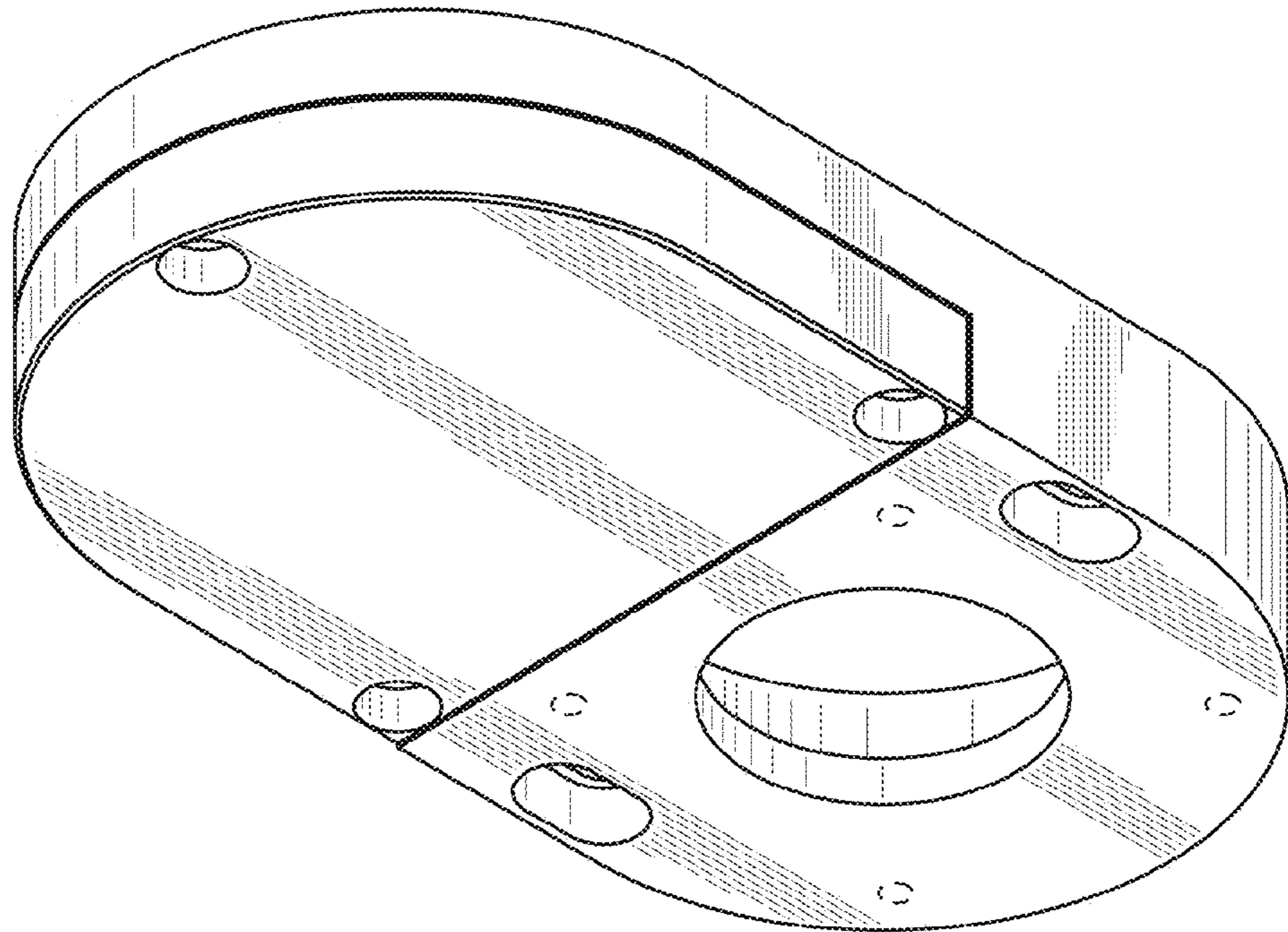


FIG. 2

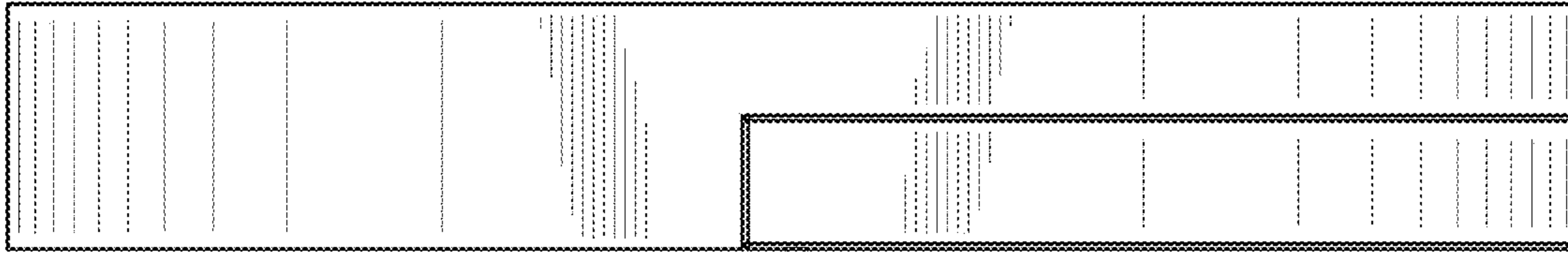


FIG. 3

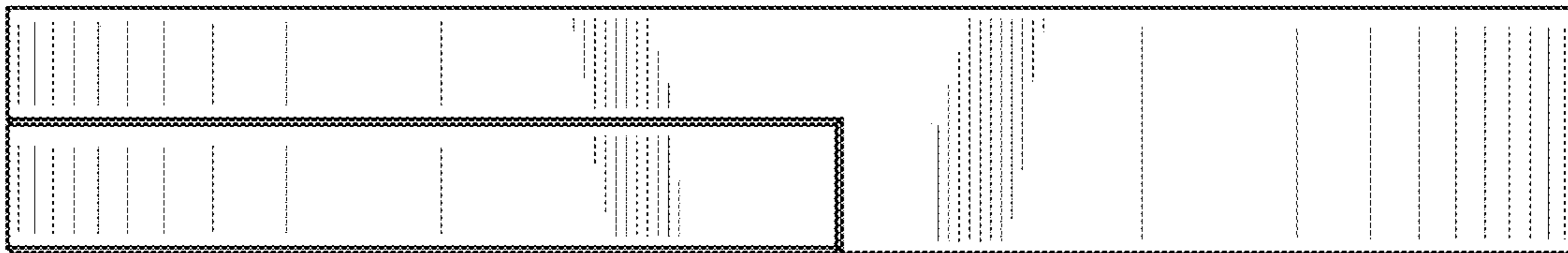


FIG. 4

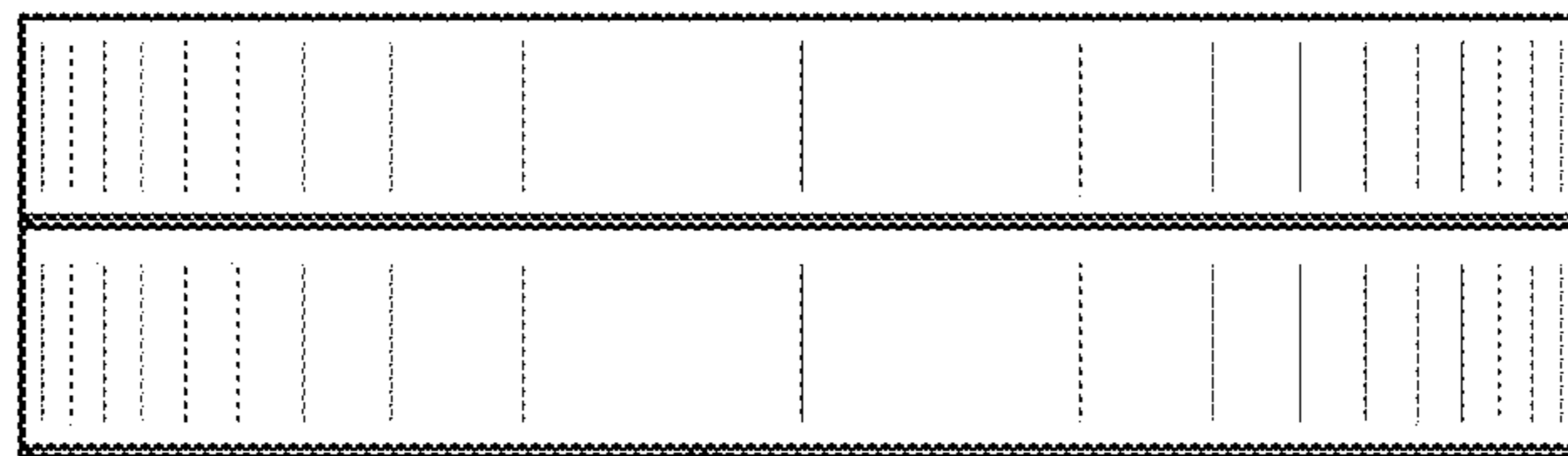


FIG. 5

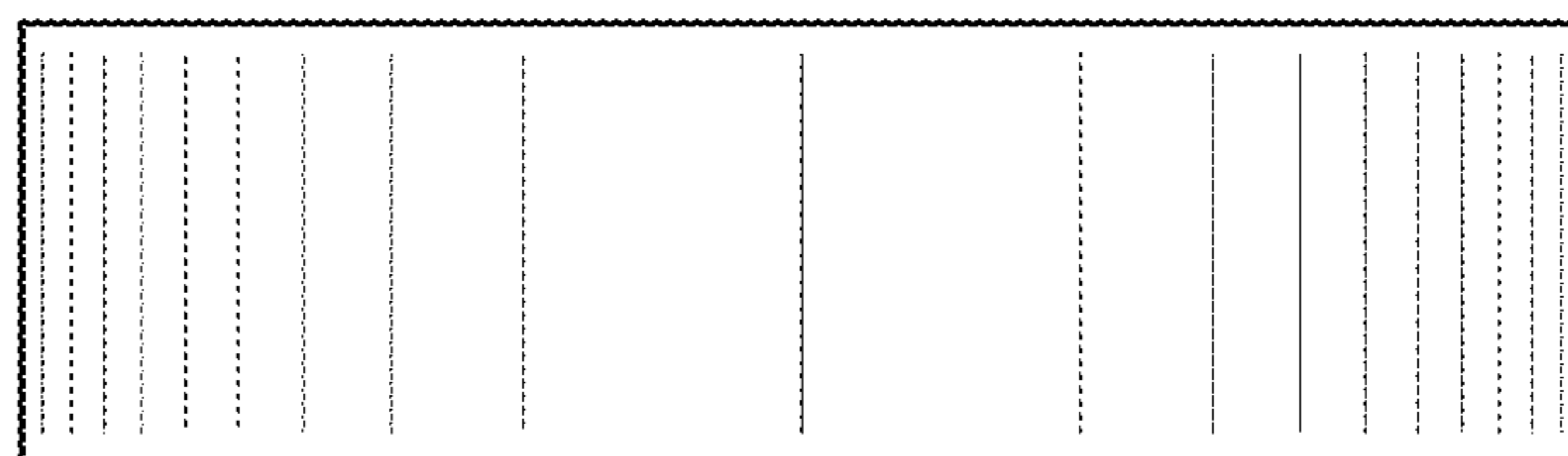


FIG. 6

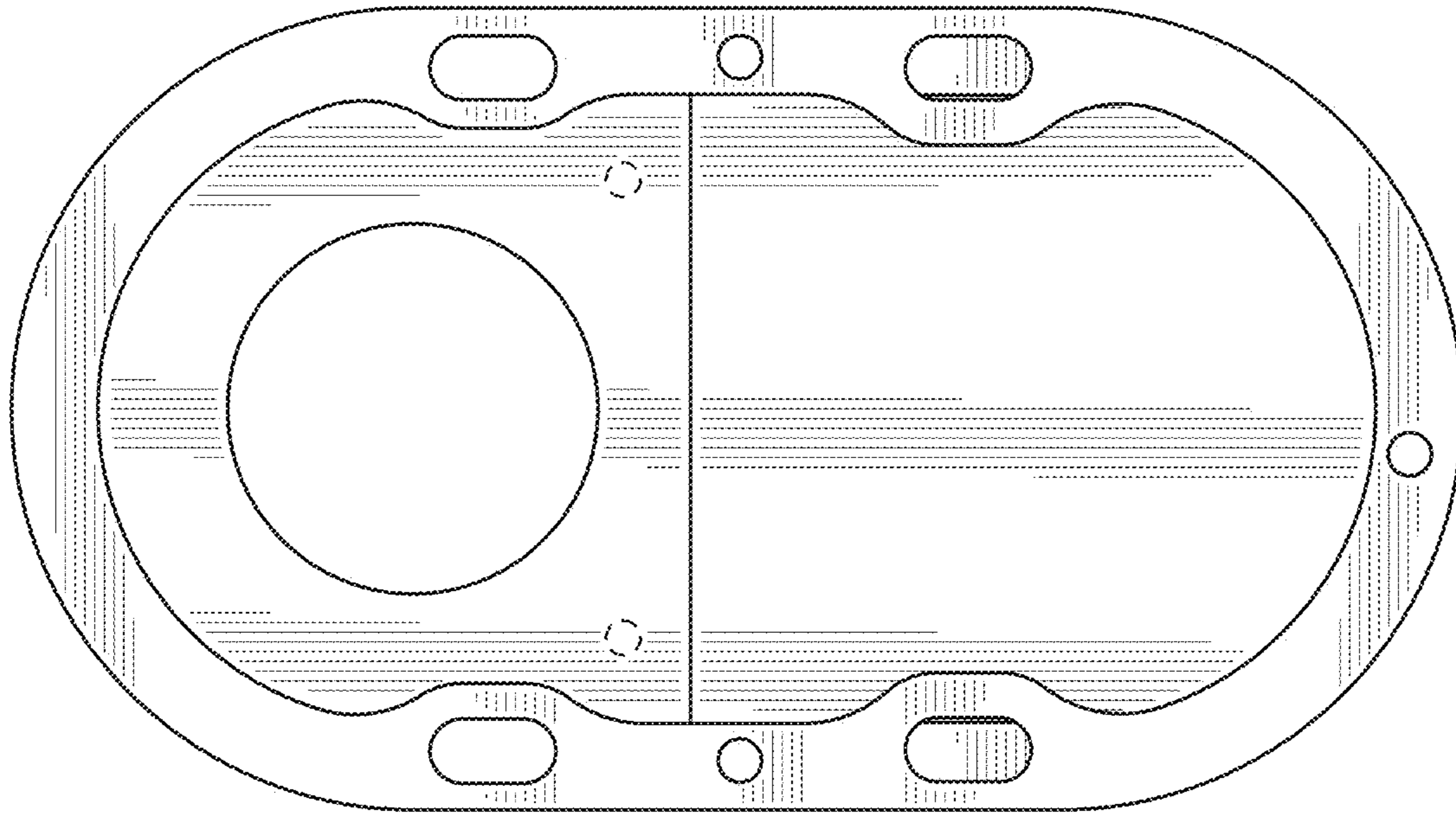


FIG. 7

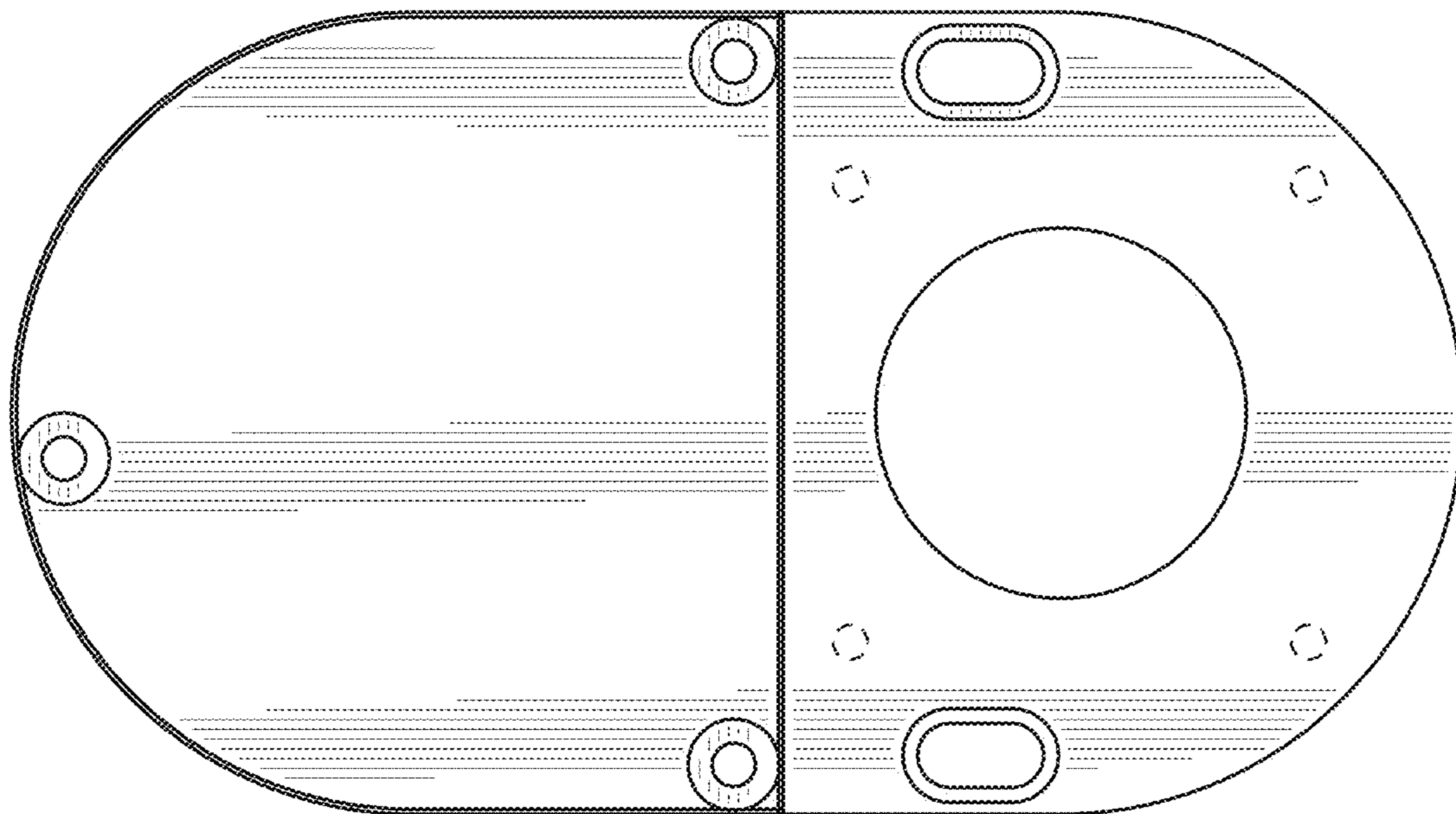


FIG. 8

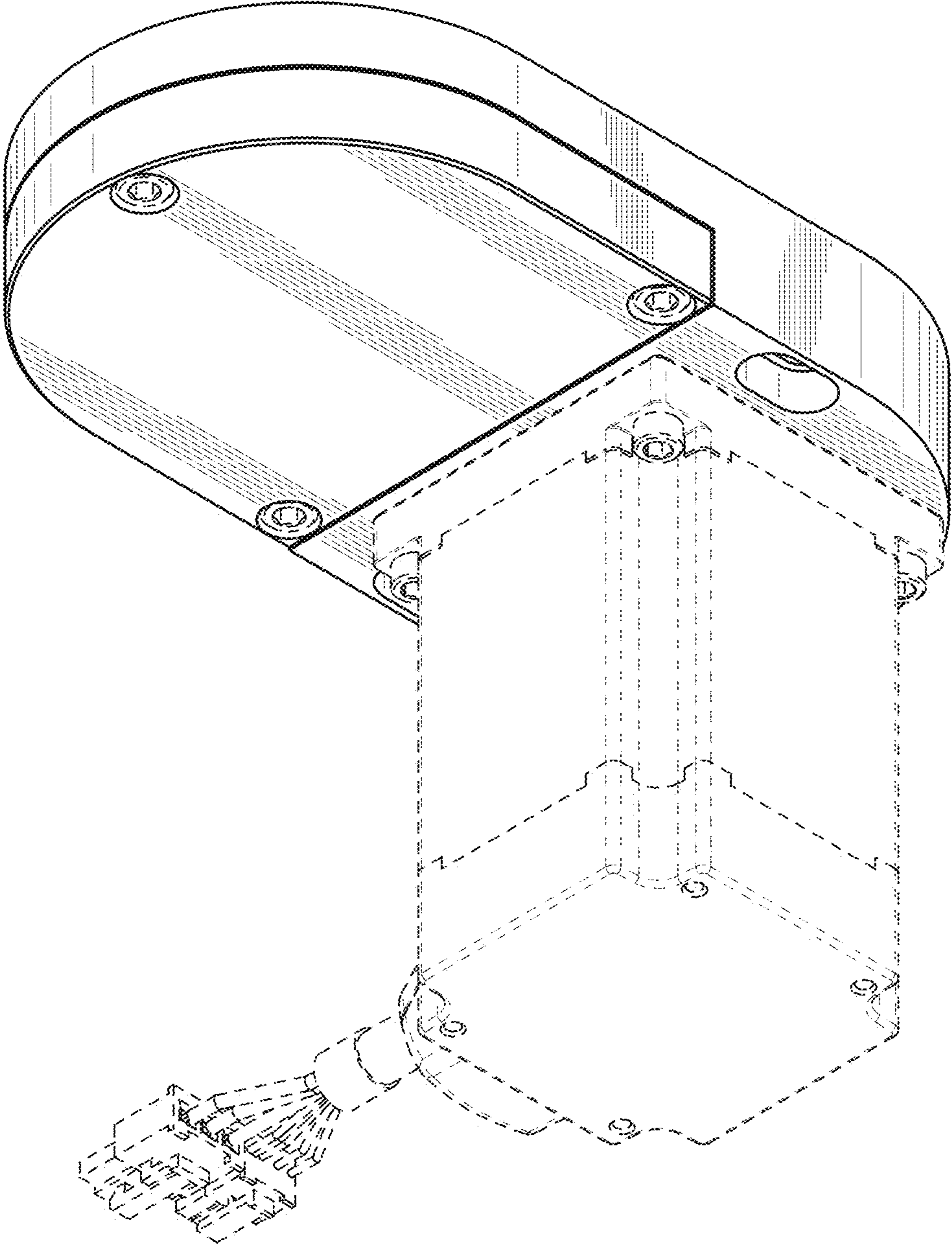


FIG. 9