



US00D934928S

(12) **United States Design Patent**
Spieß et al.

(10) **Patent No.:** **US D934,928 S**

(45) **Date of Patent:** **** Nov. 2, 2021**

(54) **ROLLER MILL FOR GRAIN MILLING**

CPC B02C 15/04; B02C 15/00; B02C 15/007;
B02C 7/06; B02C 9/00; B02C 11/04

(71) Applicant: **BÜHLER AG**, Uzwil (CH)

See application file for complete search history.

(72) Inventors: **Dominic Spiess**, Uetikon (CH); **Lukas Studerus**, Niederuzwil (CH); **Daniel Mark**, Wil (CH); **Philippe Hostenstein**, Henau (CH); **Daniel Rickenbach**, Wittenwil (CH)

(56) **References Cited**

U.S. PATENT DOCUMENTS

3,881,663	A	5/1975	Brown	
D552,134	S	10/2007	Nakano	
D612,873	S	3/2010	Spinelli et al.	
D812,230	S *	3/2018	Silvonon	D24/177
D855,088	S	7/2019	Tinius	
D895,698	S *	9/2020	Palmer	D15/122

(73) Assignee: **BÜHLER AG**, Uzwil (CH)

(**) Term: **15 Years**

* cited by examiner

(21) Appl. No.: **29/740,597**

Primary Examiner — Richard E Chilcot
(74) *Attorney, Agent, or Firm* — Finch & Maloney, PLLC; Michael J. Bujold; Jay S. Franklin

(22) Filed: **Jul. 6, 2020**

Related U.S. Application Data

(62) Division of application No. 35/506,827, filed on Nov. 28, 2018 (U.S. filing date under 35 U.S.C. 384), and having an international filing date of Nov. 28, 2018, now Pat. No. Des. 924,947.

(57) **CLAIM**

We claim the ornamental design for a roll mill design for grain milling, as shown and described.

DESCRIPTION

(30) **Foreign Application Priority Data**

May 28, 2018 (WO) 7641901

(51) **LOC (13) Cl.** **15-09**

(52) **U.S. Cl.**
USPC **D15/131**
CPC **B02C 7/06 (2013.01)**

(58) **Field of Classification Search**
USPC D15/122–143; D41/194, 225, 227;
241/194, 225, 227

FIG. 1 is a top, front, right side perspective view of the roller mill for grain milling;

FIG. 2 is a front elevational view thereof;

FIG. 3 is a right side view thereof;

FIG. 4 is a rear view thereof;

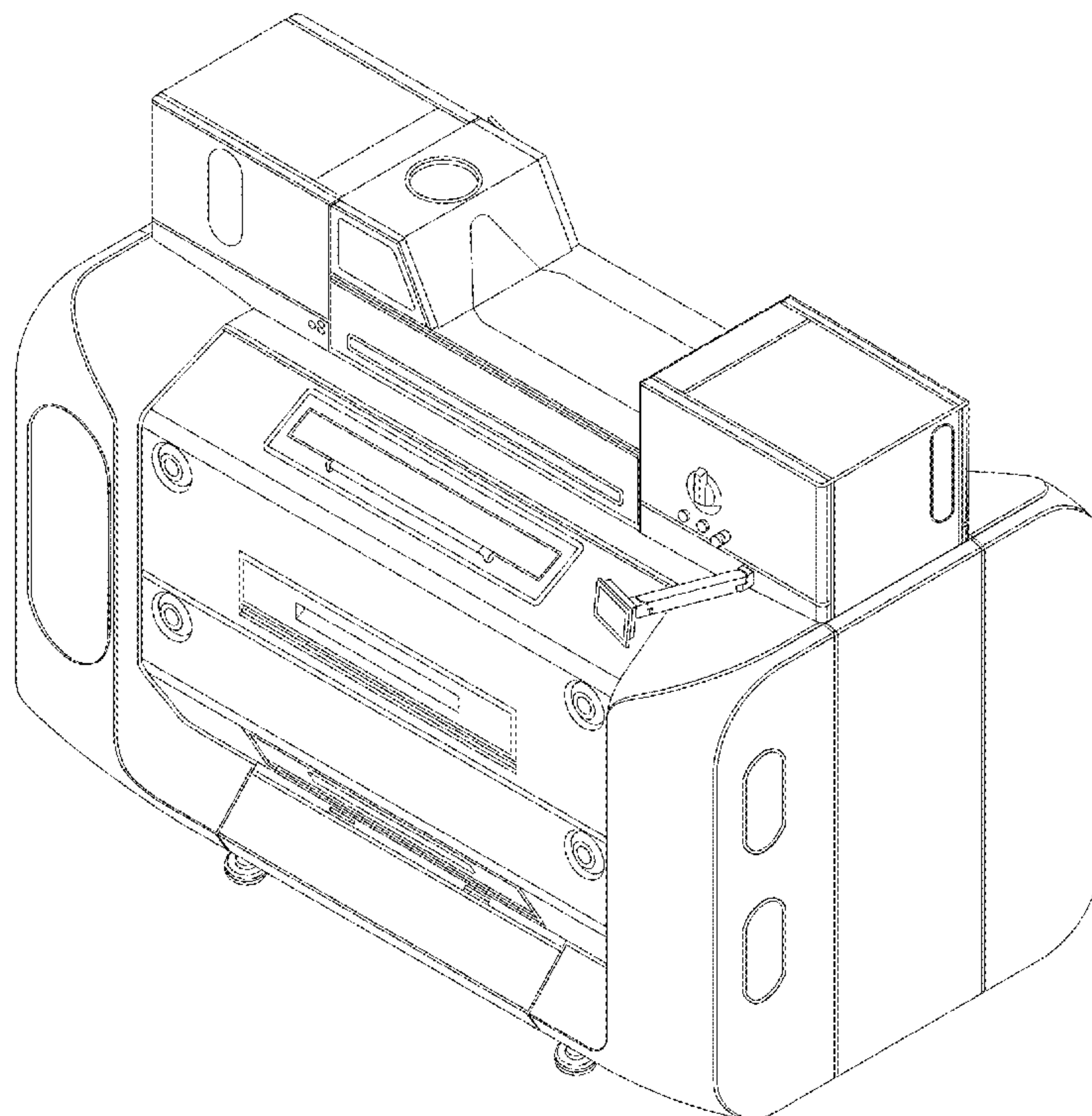
FIG. 5 is a left side view thereof;

FIG. 6 is a top plan view thereof;

FIG. 7 is a bottom plan view thereof; and,

FIG. 8 is a top, front, left side perspective thereof.

1 Claim, 8 Drawing Sheets



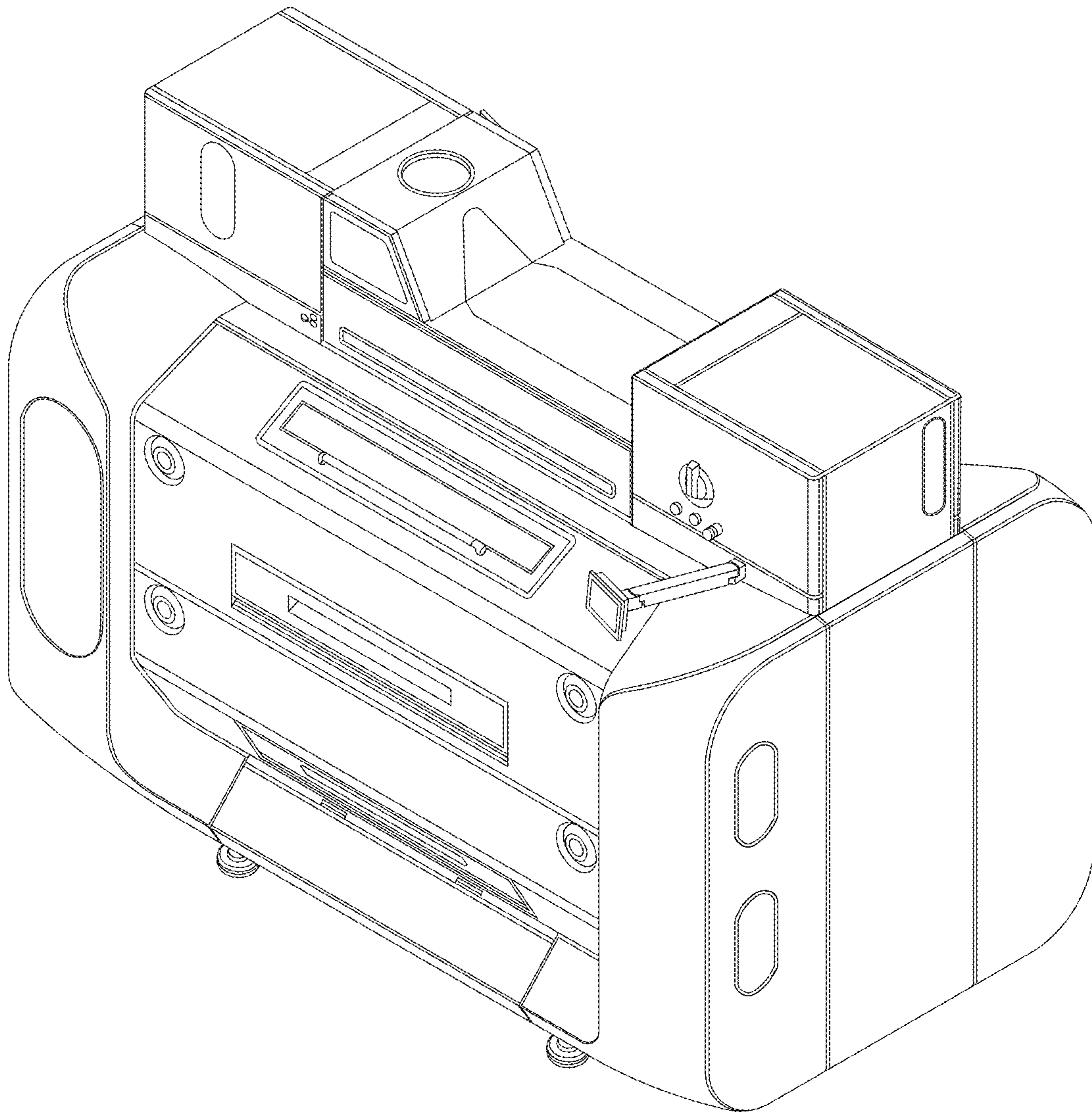


FIG.1

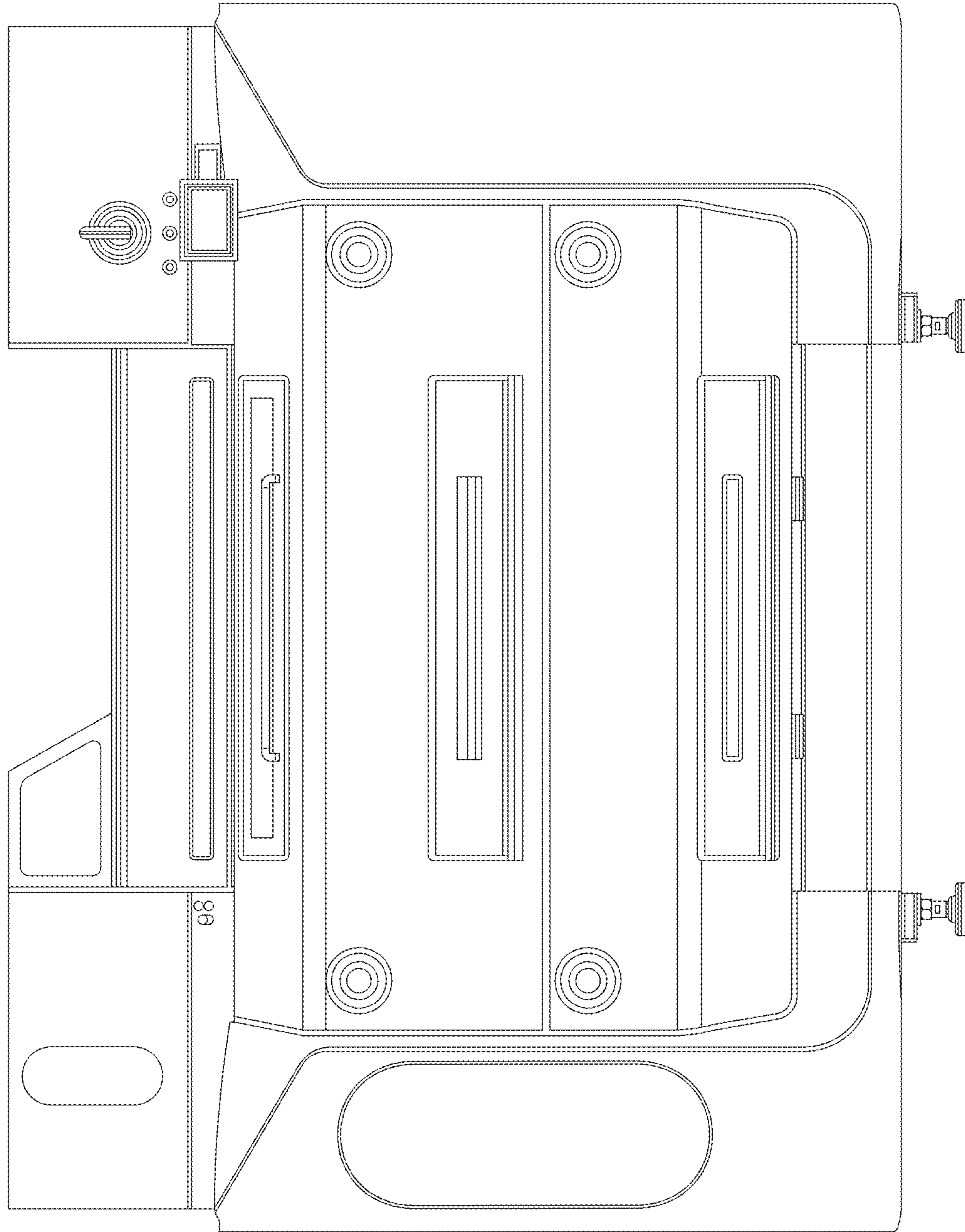


FIG. 2

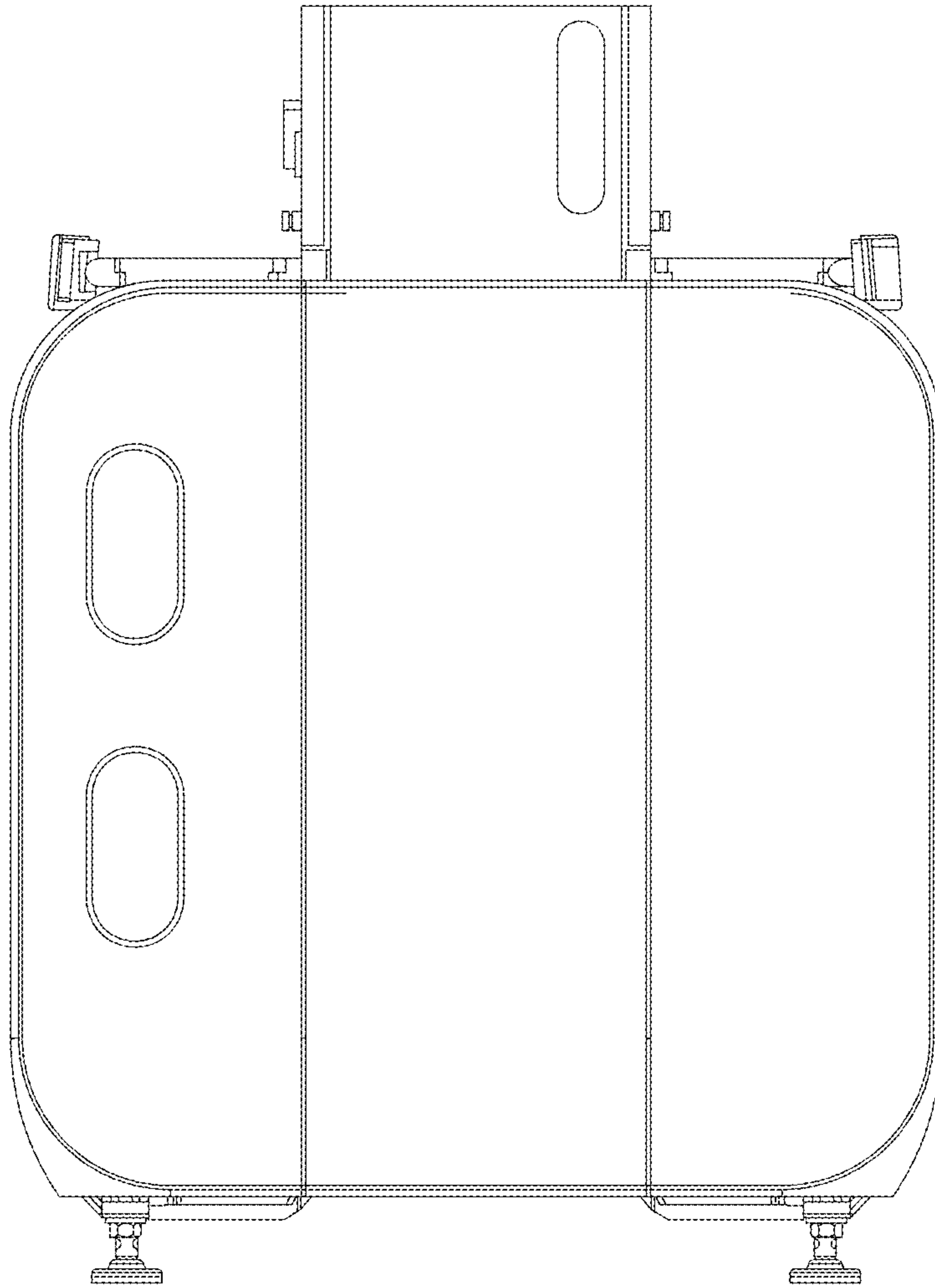


FIG.3

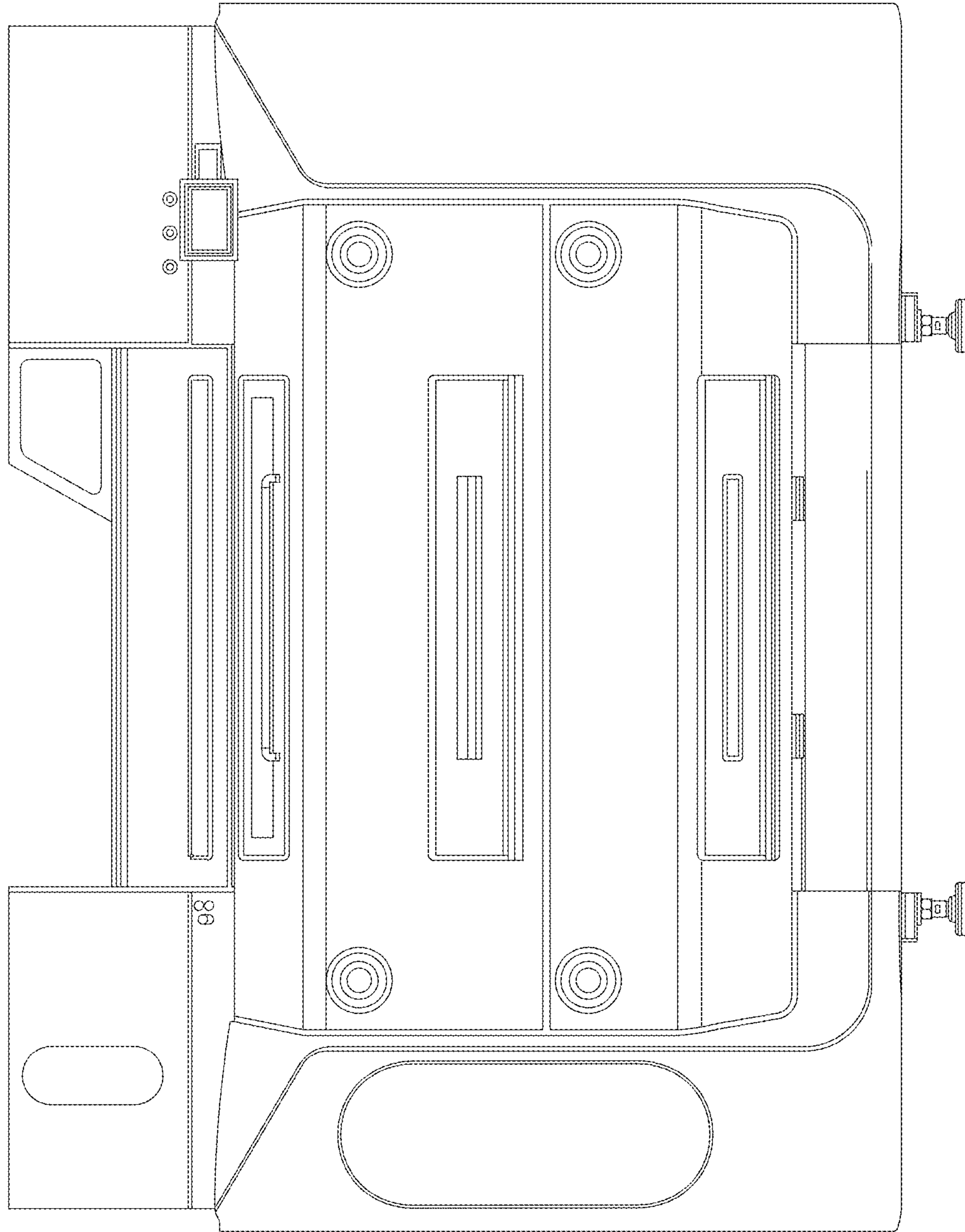


FIG.4

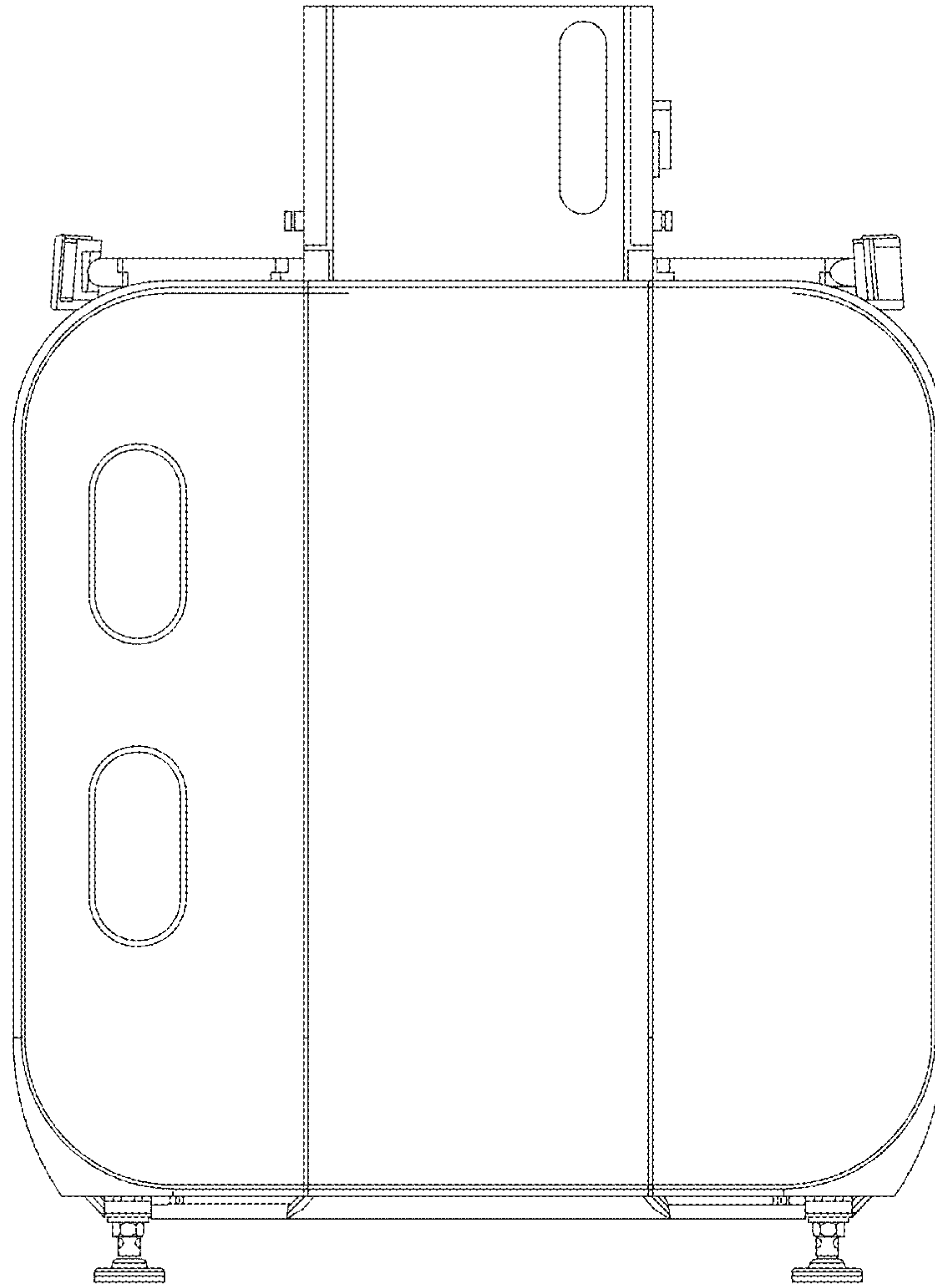


FIG.5

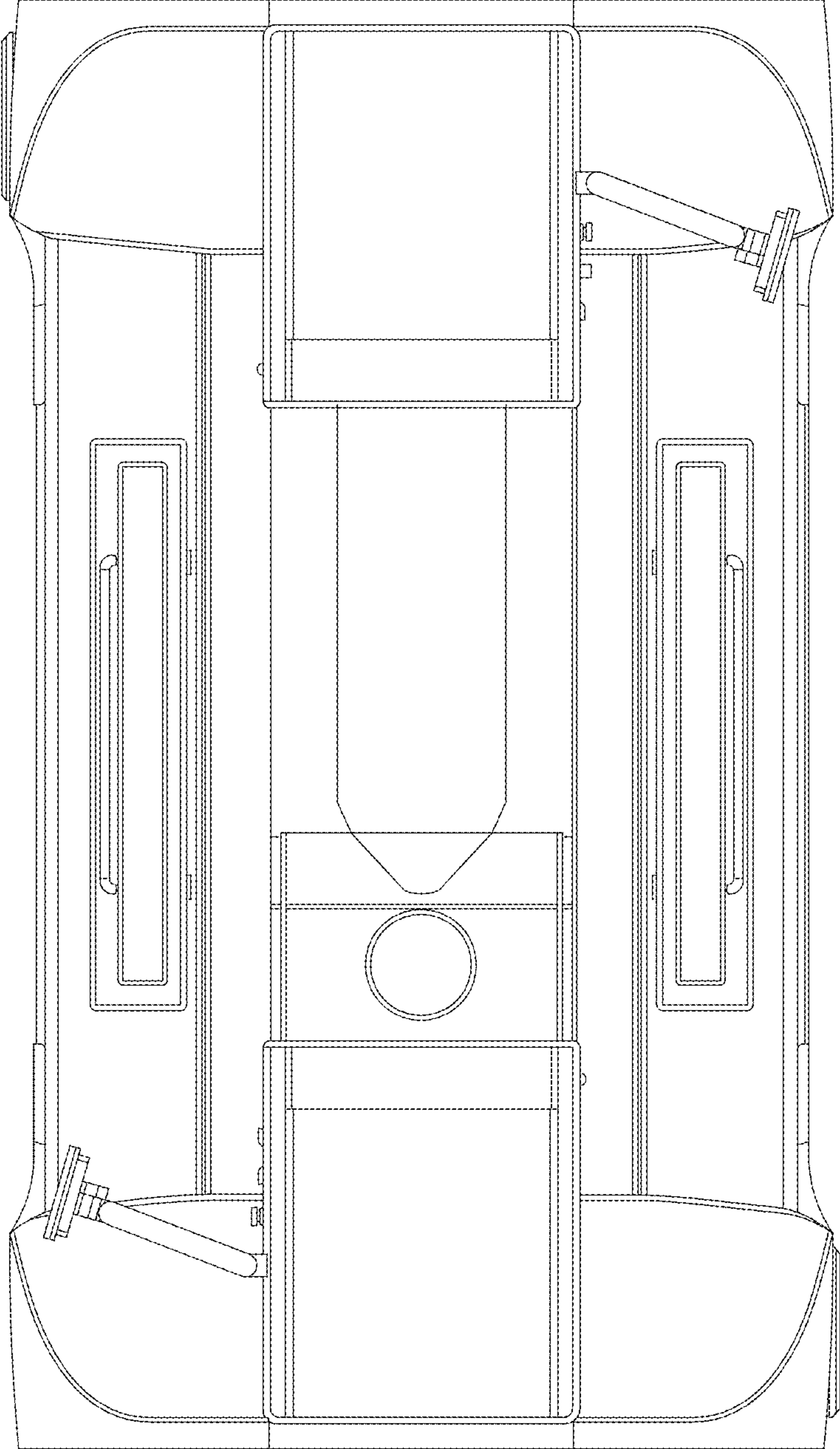


FIG. 6

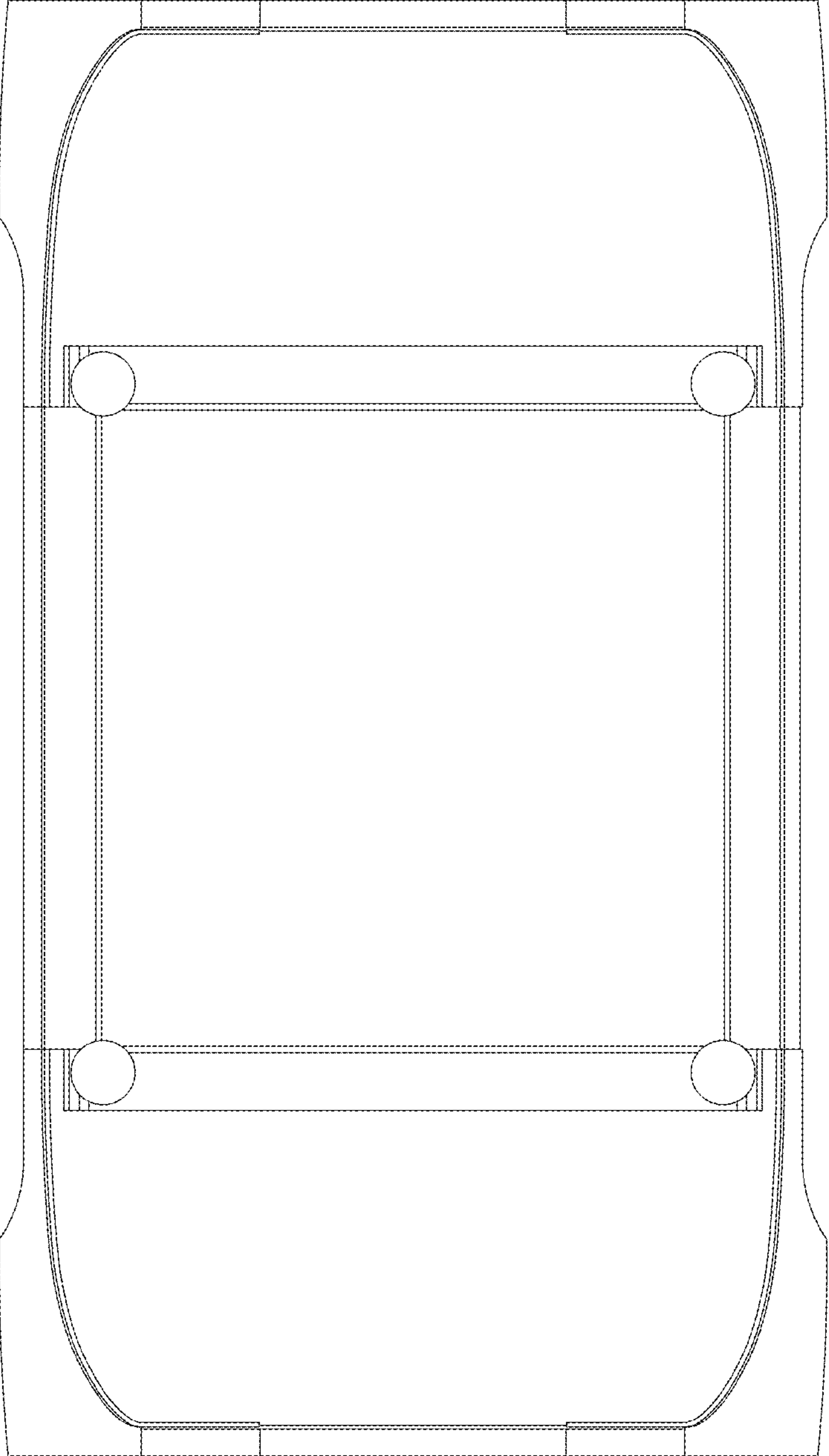


FIG. 7

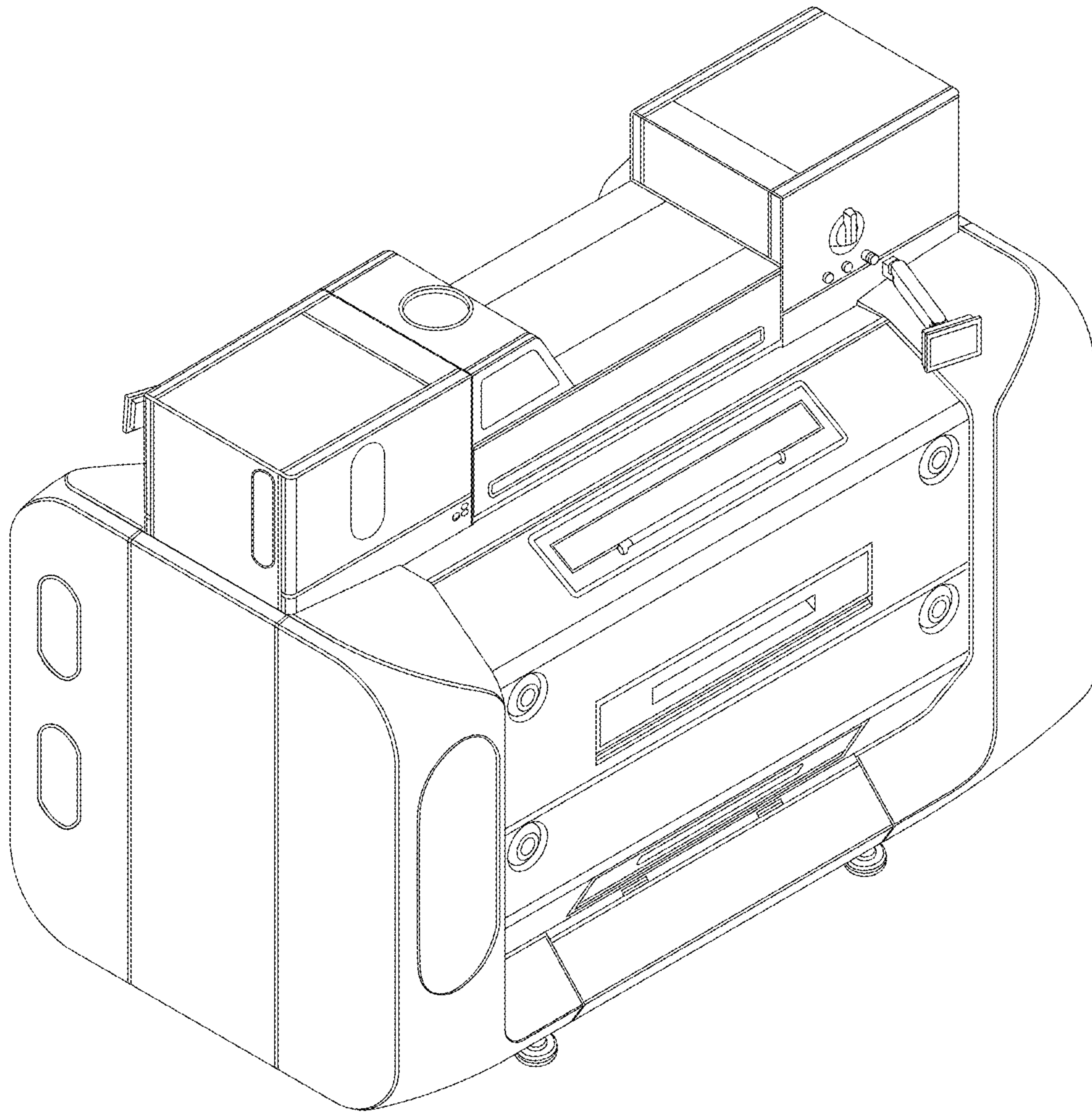


FIG.8