



US00D934925S

(12) **United States Design Patent**
Kim et al.

(10) **Patent No.:** **US D934,925 S**
(45) **Date of Patent:** **** Nov. 2, 2021**

(54) **REFRIGERATOR**

(57) **CLAIM**

(71) Applicant: **Samsung Electronics Co., Ltd.**,
Suwon-si (KR)

We claim the ornamental design for a refrigerator, as shown and described.

(72) Inventors: **Ae Ryun Kim**, Suwon-si (KR); **Chen Cui**, Suwon-si (KR); **Hyung Yong Choi**, Suwon-si (KR)

DESCRIPTION

(73) Assignee: **Samsung Electronics Co., Ltd.**,
Suwon-si (KR)

FIG. 1 is a front perspective view of a refrigerator showing our new design;

(**) Term: **15 Years**

FIG. 2 is a front view thereof;

(21) Appl. No.: **29/723,006**

FIG. 3 is a rear view thereof;

(22) Filed: **Feb. 4, 2020**

FIG. 4 is a left-side view thereof;

(30) **Foreign Application Priority Data**

FIG. 5 is a right-side view thereof;

Aug. 29, 2019 (KR) 30-2019-0041359

FIG. 6 is a top plan view thereof;

(51) **LOC (13) Cl.** **15-07**

FIG. 7 is a bottom plan view thereof;

(52) **U.S. Cl.**
USPC **D15/89**

FIG. 8 is another front perspective view thereof showing the ability of the internal tray of the drawer to be rotated;

(58) **Field of Classification Search**
USPC D15/79, 80, 81, 82, 83, 84, 85, 86, 87,
D15/88, 89, 90, 91; D6/657, 659;
D3/304, 307

FIG. 9 is a front view thereof;

(Continued)

(56) **References Cited**

FIG. 10 is a rear view thereof;

U.S. PATENT DOCUMENTS

FIG. 11 is a left-side view thereof;

D511,785 S * 11/2005 Aldous D15/89
D513,270 S * 12/2005 Seok D15/89

FIG. 12 is a right-side view thereof;

(Continued)

FOREIGN PATENT DOCUMENTS

FIG. 13 is a top plan view thereof;

KR 30-2012-0001957 2/2013
KR 30-2013-0050920 7/2014

FIG. 14 is a bottom plan view thereof;

(Continued)

FIG. 15 is a front perspective view of the drawer shown in FIG. 1 with the features of the refrigerator shown in broken lines removed;

Primary Examiner — Mojtaba Tehrani
(74) *Attorney, Agent, or Firm* — NSIP Law

FIG. 16 is a front view thereof;

FIG. 17 is a rear view thereof;

FIG. 18 is a left-side view thereof;

FIG. 19 is a right-side view thereof;

FIG. 20 is a top plan view thereof;

FIG. 21 is a bottom plan view thereof;

FIG. 22 is a cross-sectional view taken through line 22-22 in FIG. 20;

FIG. 23 is a perspective view of the drawer shown in FIG. 8 with the features of the refrigerator shown in broken lines removed;

FIG. 24 is a front view thereof;

FIG. 25 is a rear view thereof;

FIG. 26 is a left-side view thereof;

FIG. 27 is a right-side view thereof;

FIG. 28 is a top plan view thereof;

(Continued)

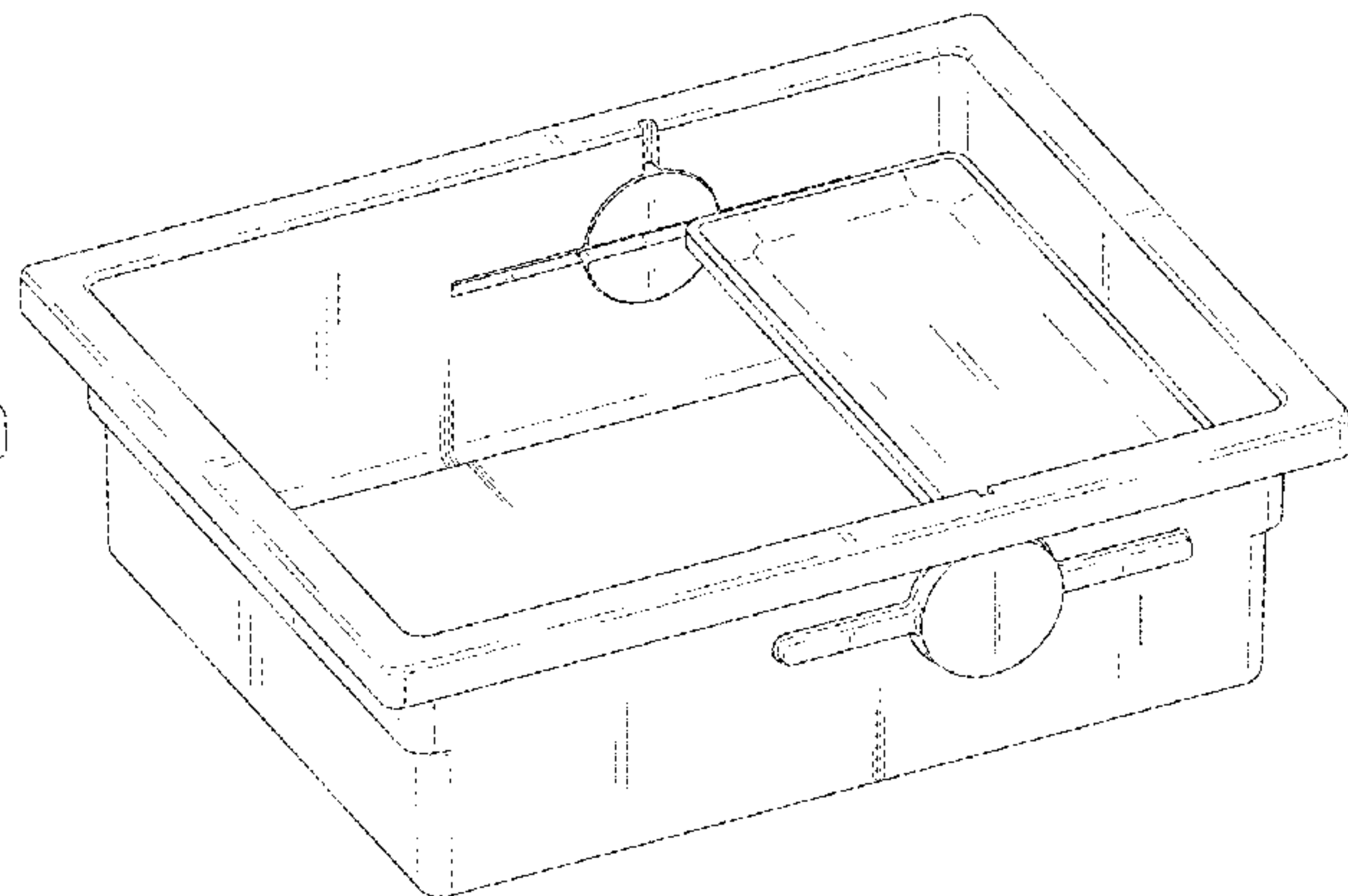
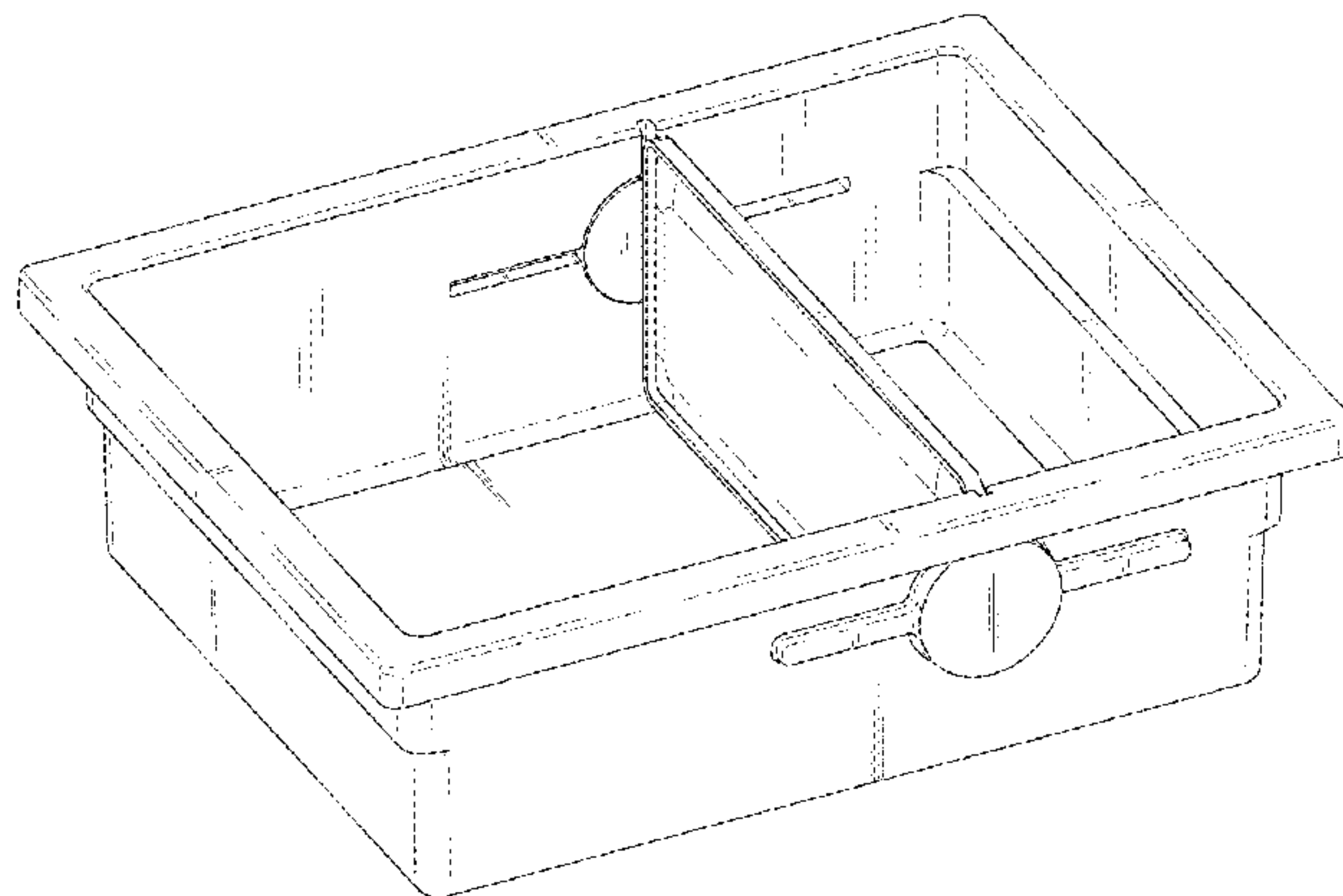


FIG. 29 is a bottom plan view thereof;
 FIG. 30 is a cross-sectional view taken through line 30-30 in FIG. 28;
 FIG. 31 is an enlarged view of the encircled portion 31 in FIG. 2;
 FIG. 32 is an enlarged view of the encircled portion 32 in FIG. 4;
 FIG. 33 is an enlarged view of the encircled portion 33 in FIG. 4;
 FIG. 34 is an enlarged view of the encircled portion 34 in FIG. 6;
 FIG. 35 is an enlarged view of the encircled portion 35 in FIG. 7;
 FIG. 36 is an enlarged view of the encircled portion 36 in FIG. 8; and,
 FIG. 37 is an enlarged view of the encircled portion 37 in FIG. 20.

The broken lines in the figures depict portions of the refrigerator which form no part of the claimed design.
 The dot-dash broken lines encircling enlargement portions of the claimed design form no part of the claimed design.

1 Claim, 37 Drawing Sheets

(58) **Field of Classification Search**

CPC F25C 2400/10; F25D 2400/10; F25D 2400/12; F25D 2400/14; F25D 2400/18; G05B 2219/2654; G09F 23/0058; Y10S 292/71

See application file for complete search history.

(56)

References Cited

U.S. PATENT DOCUMENTS

D709,925	S	*	7/2014	Seo	D15/89
D709,927	S	*	7/2014	Park	D15/89
D719,194	S	*	12/2014	Lee	D15/89
D731,562	S	*	6/2015	You	D15/89
D733,770	S	*	7/2015	Park	D15/89
D743,454	S	*	11/2015	Yeo	D15/89
D766,345	S	*	9/2016	Lee	D15/89
D768,737	S	*	10/2016	Kim	D15/89
D790,609	S	*	6/2017	Kim	D15/89
D797,164	S	*	9/2017	Jo	D15/89
D839,322	S	*	1/2019	Choi	D15/89
D839,933	S	*	2/2019	Choi	D15/89
D842,607	S	*	3/2019	Kraemer	D3/310
D847,217	S	*	4/2019	Onrat	D15/89
D857,764	S	*	8/2019	Um	D15/89
D862,531	S	*	10/2019	Lee	D15/89
D862,532	S	*	10/2019	Lee	D15/89
D872,776	S	*	1/2020	Yu	D15/90
D873,872	S	*	1/2020	Yu	D15/90
D890,229	S	*	7/2020	Choi	D15/89
D890,230	S	*	7/2020	Choi	D15/89
2019/0331385	A1	*	10/2019	Jeong	F25C 1/10

FOREIGN PATENT DOCUMENTS

KR	30-2015-0017617	11/2015
KR	30-2017-0040137	5/2018
KR	30-2017-0040138	5/2018

* cited by examiner

FIG. 1

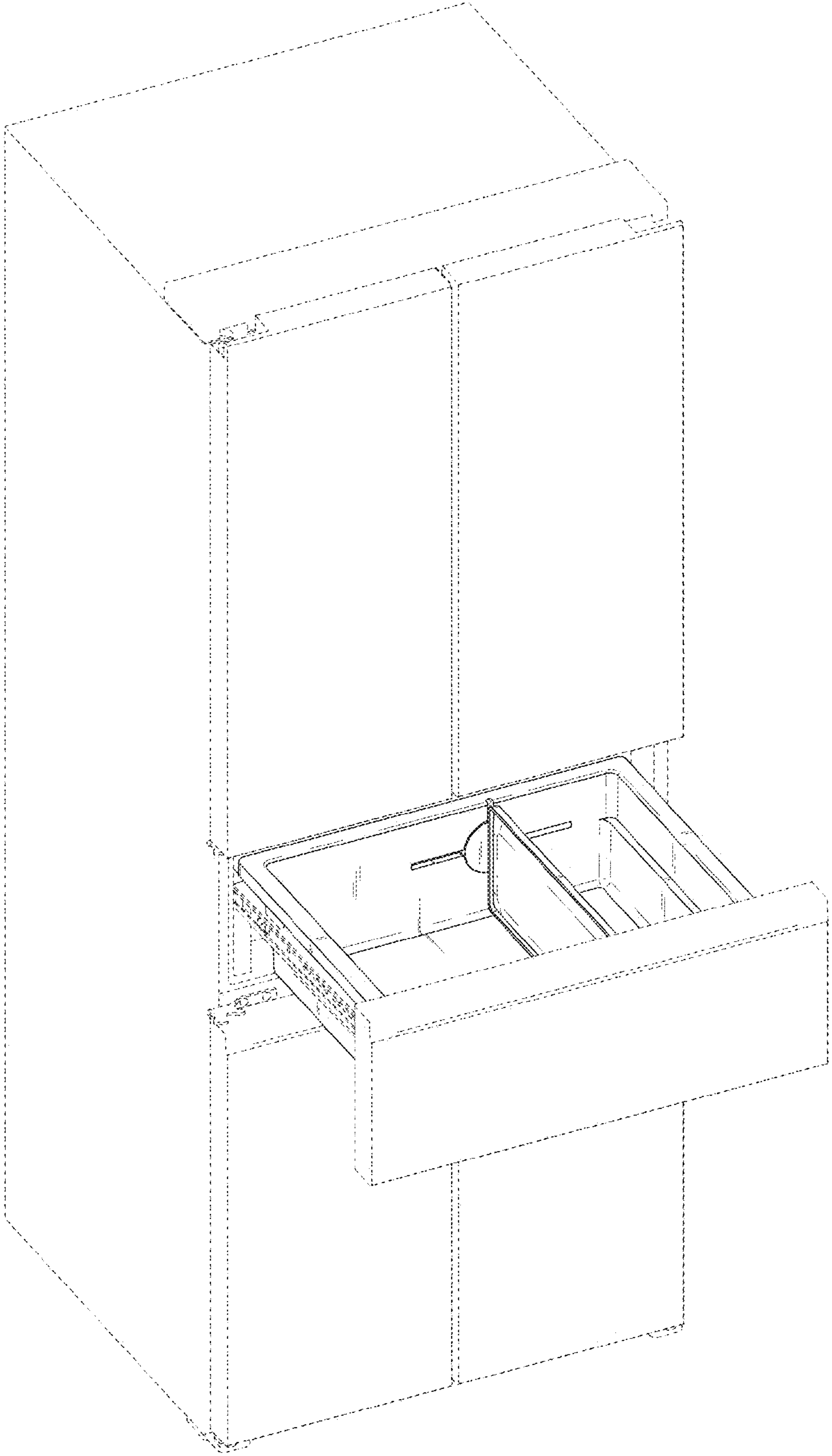


FIG. 2

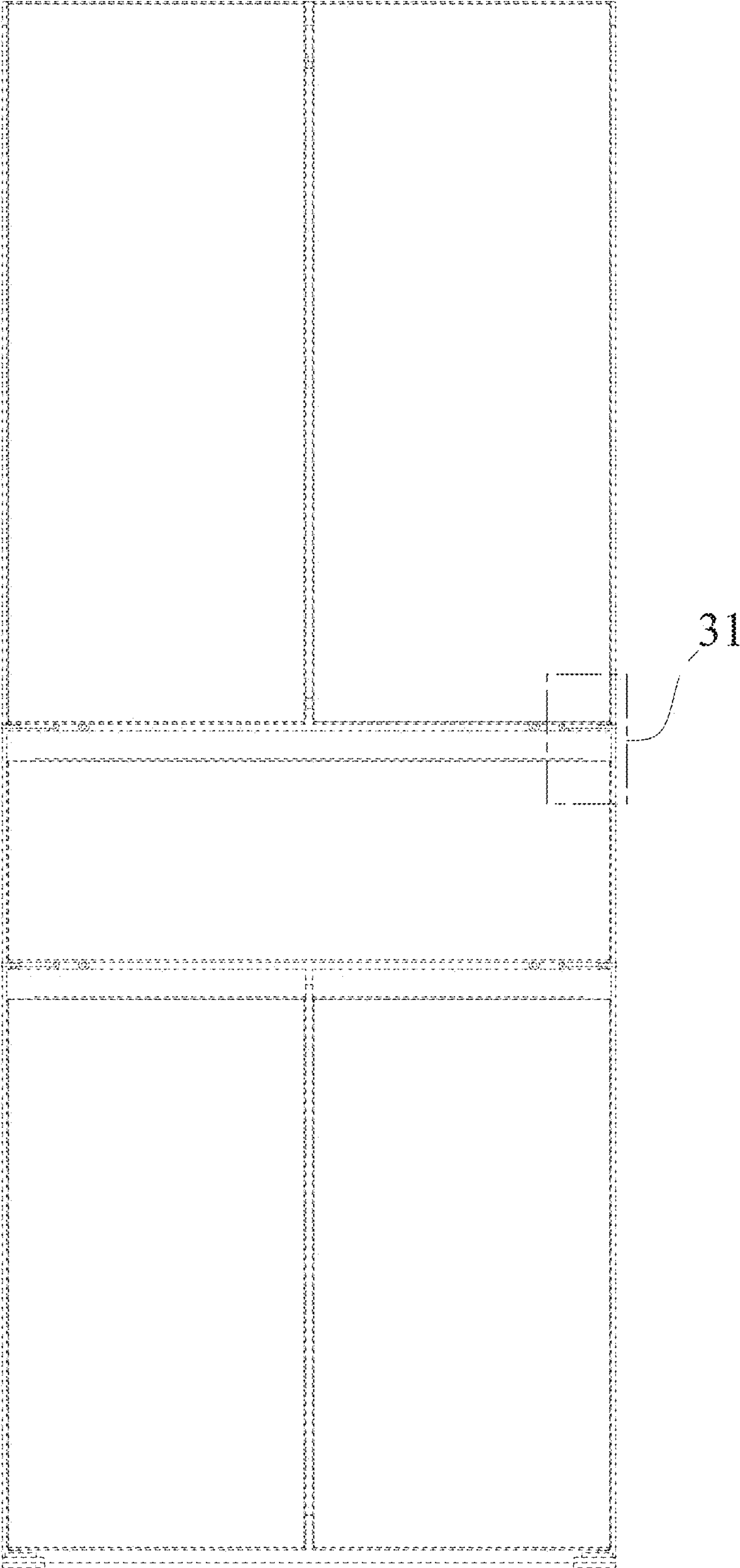


FIG. 3



FIG. 4

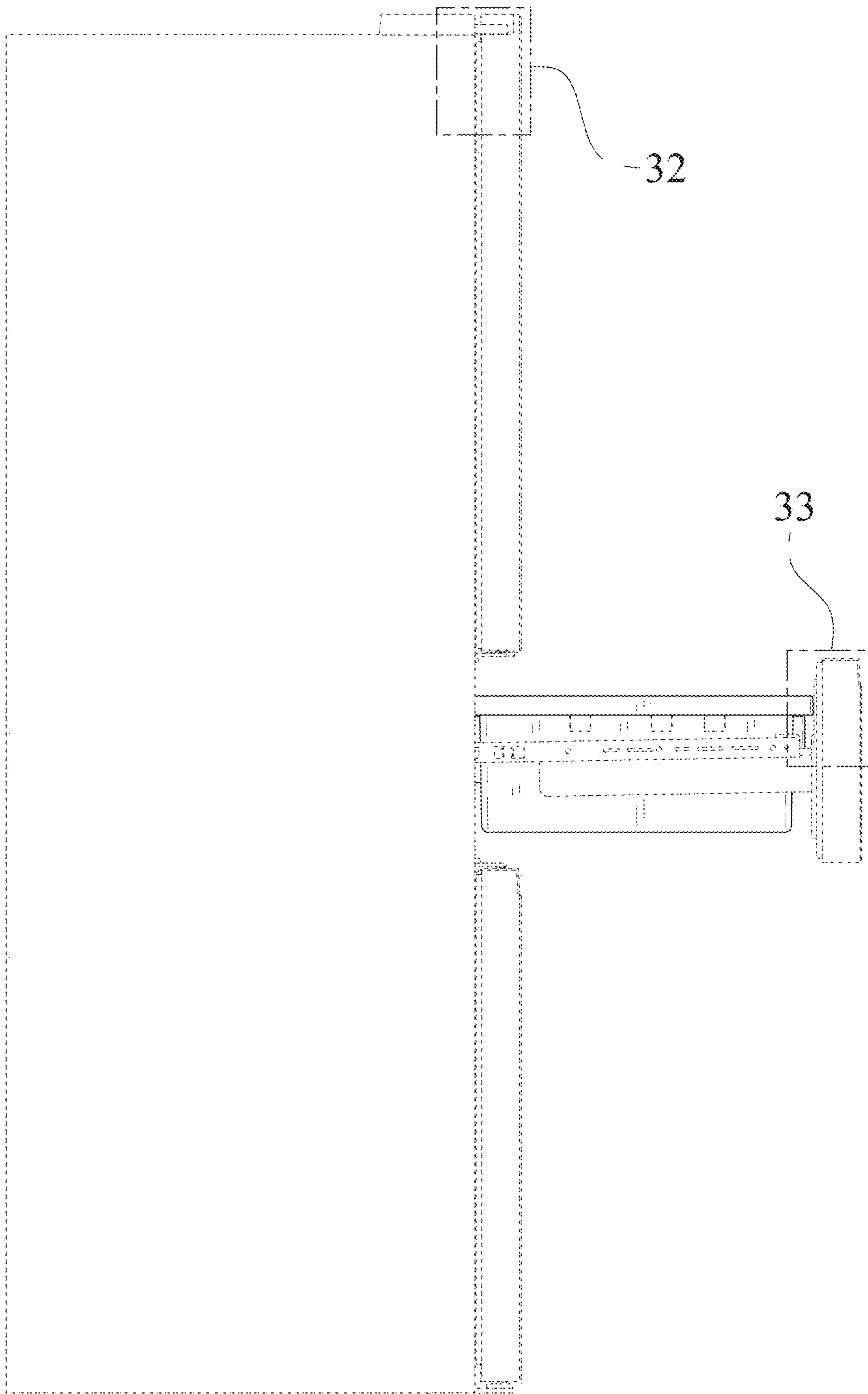


FIG. 5

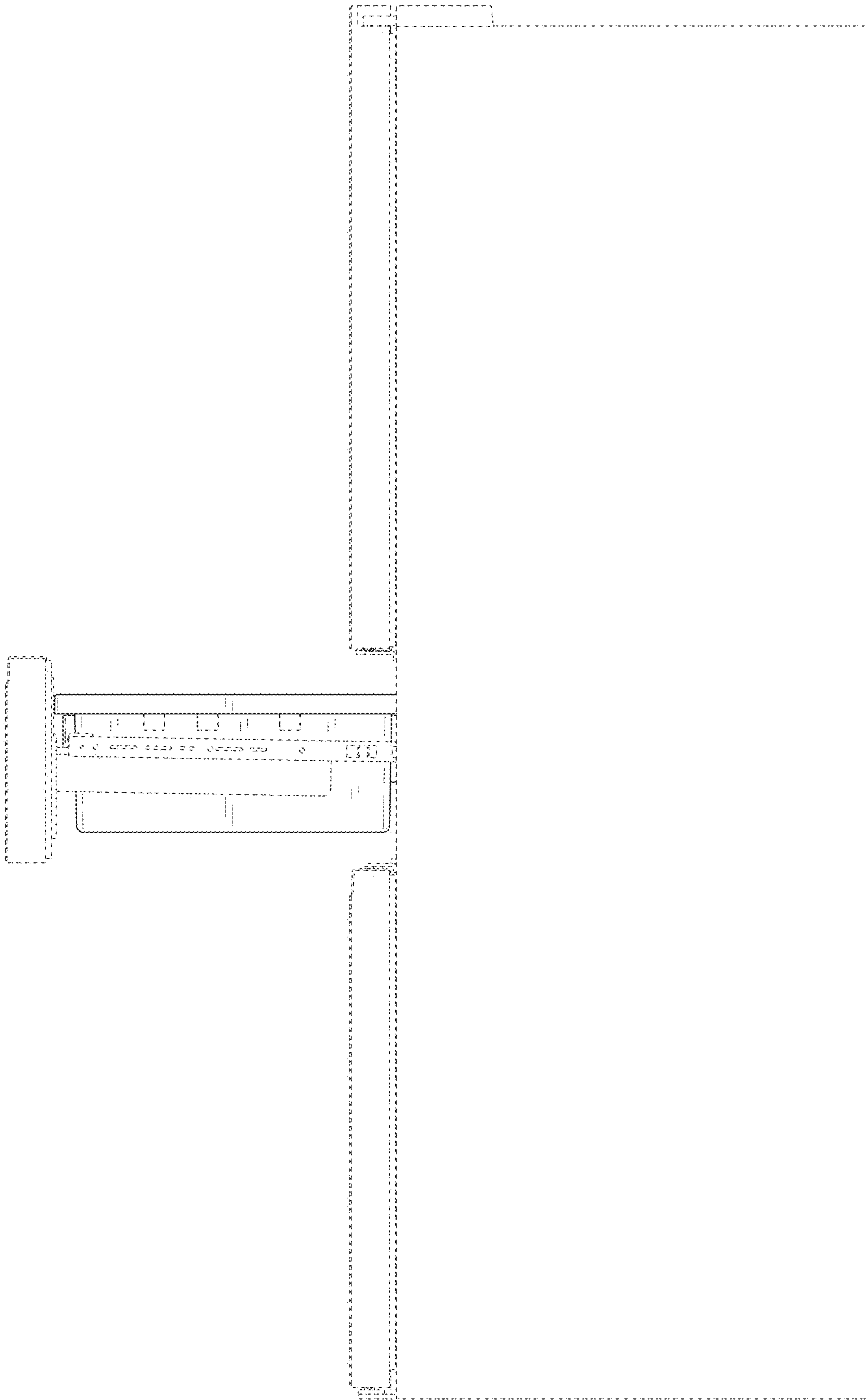


FIG. 6

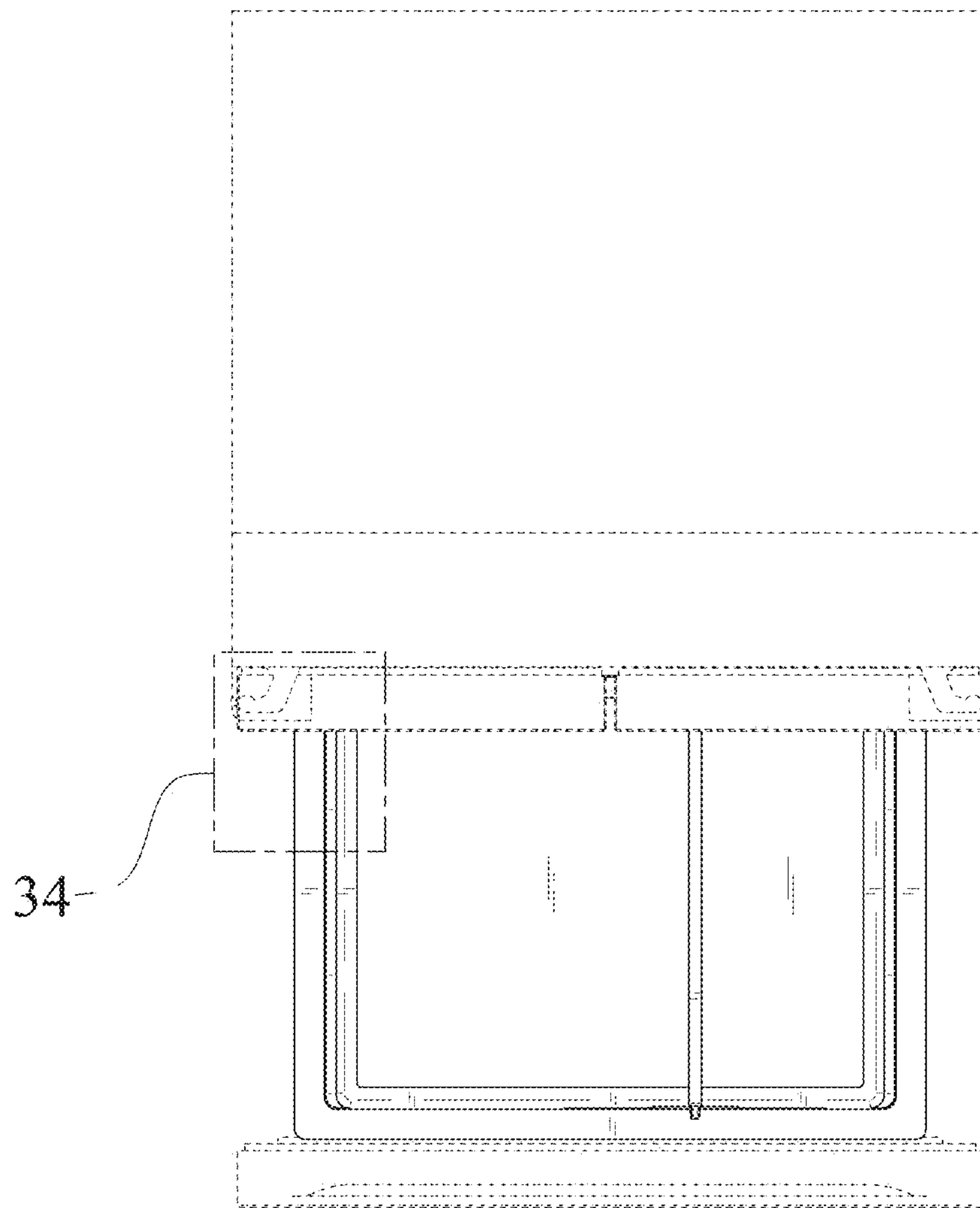


FIG. 7

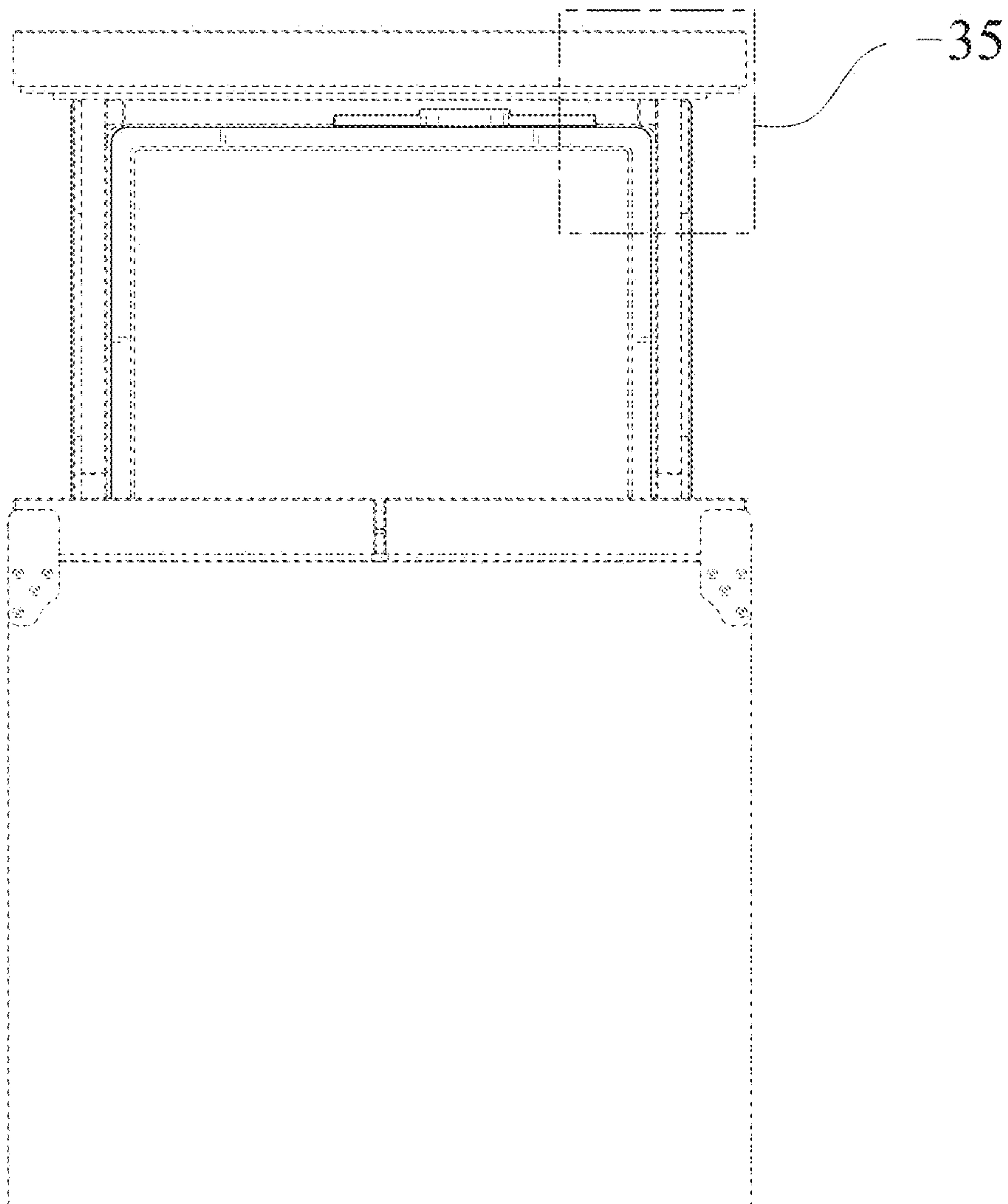


FIG. 8

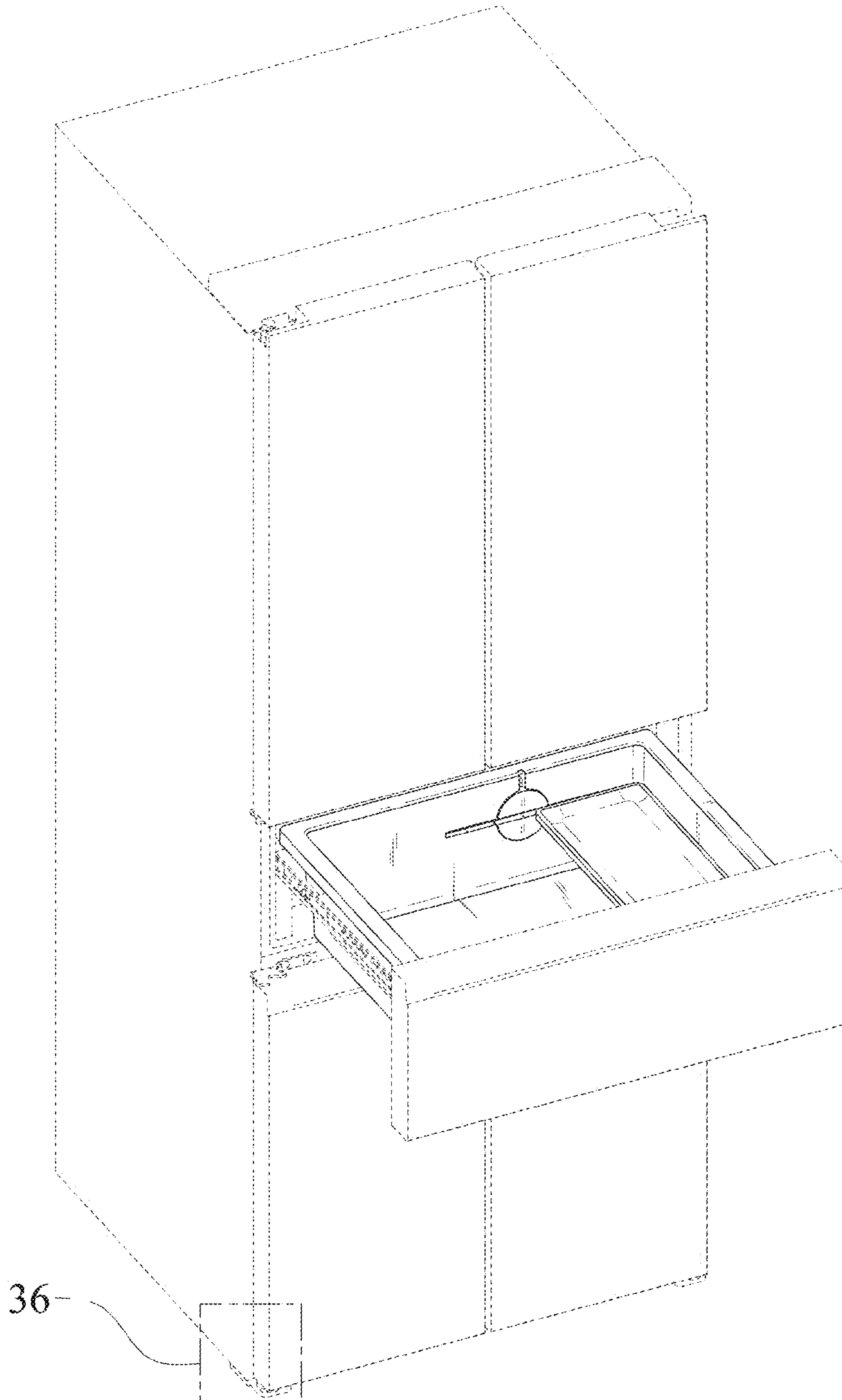


FIG. 9

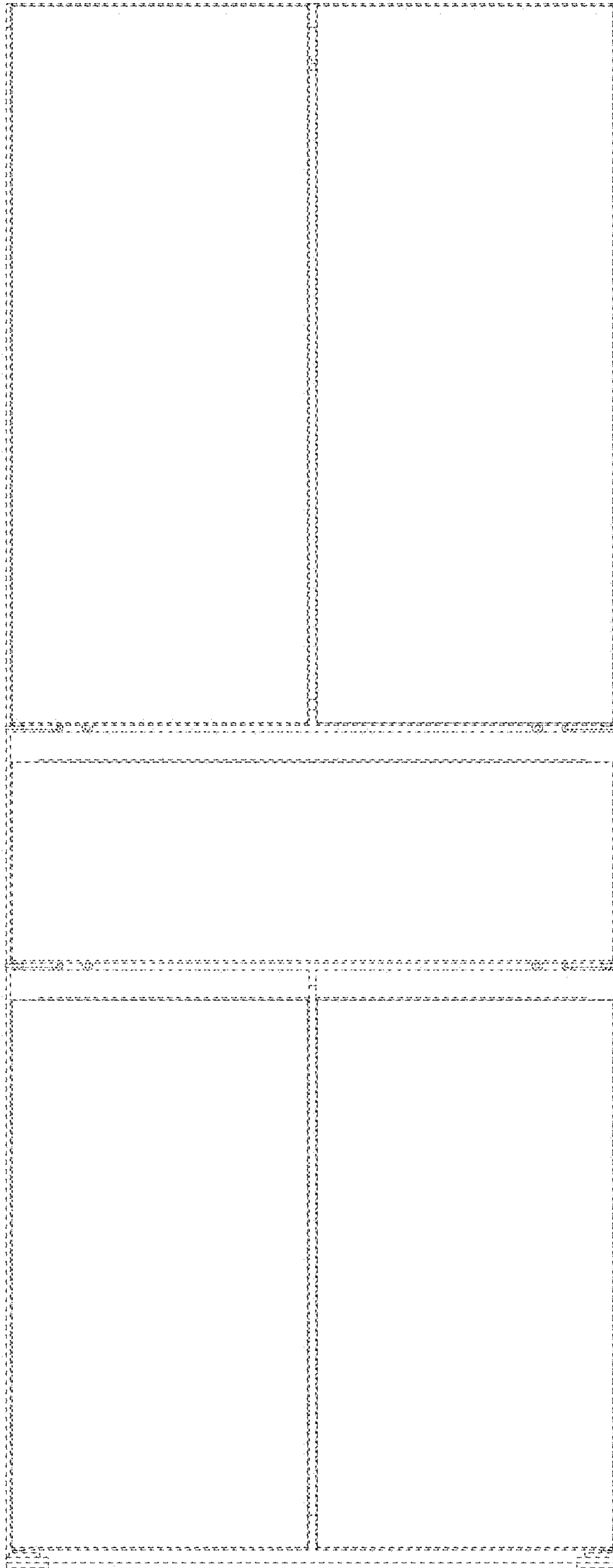


FIG. 10



FIG. 11

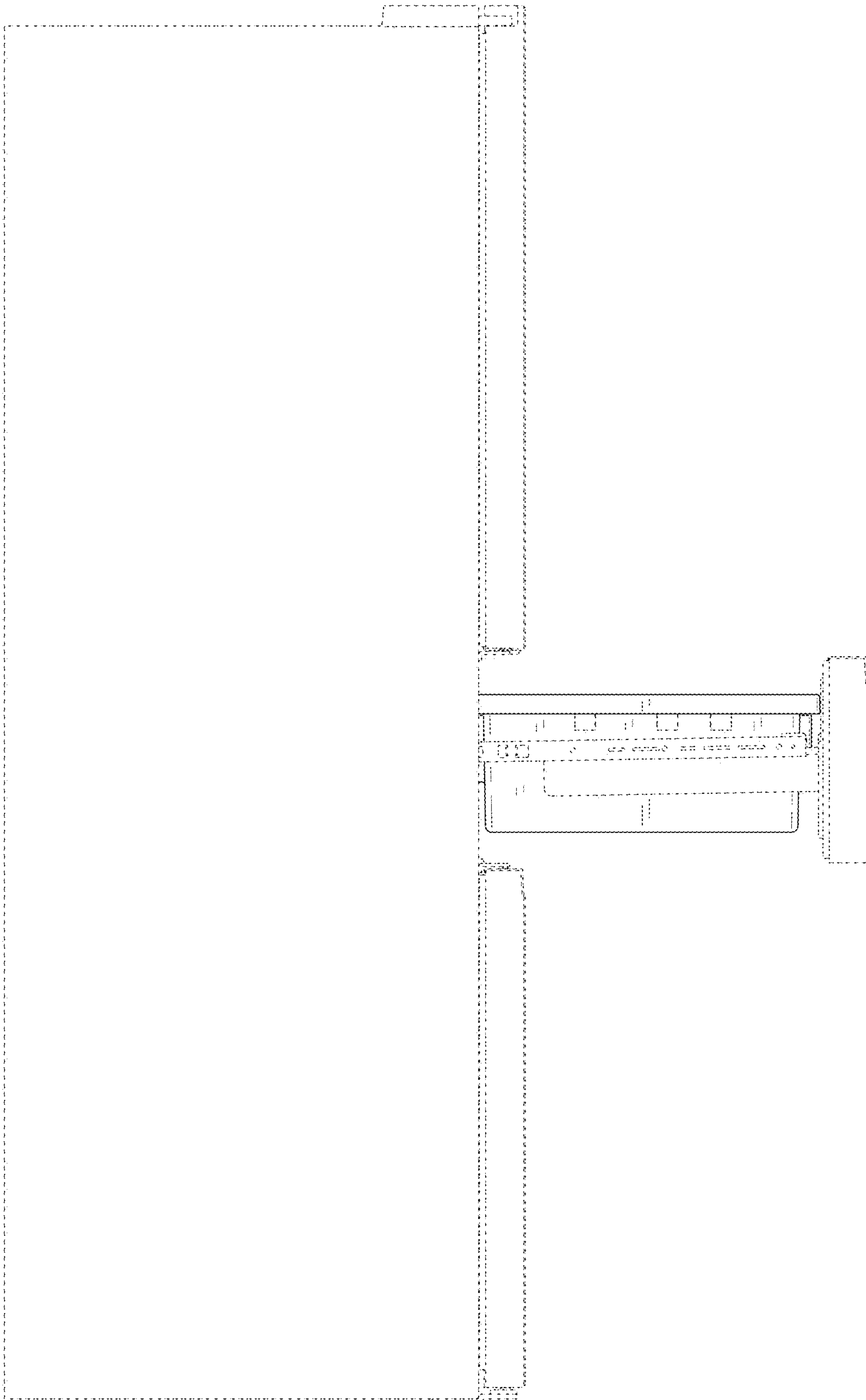


FIG. 12

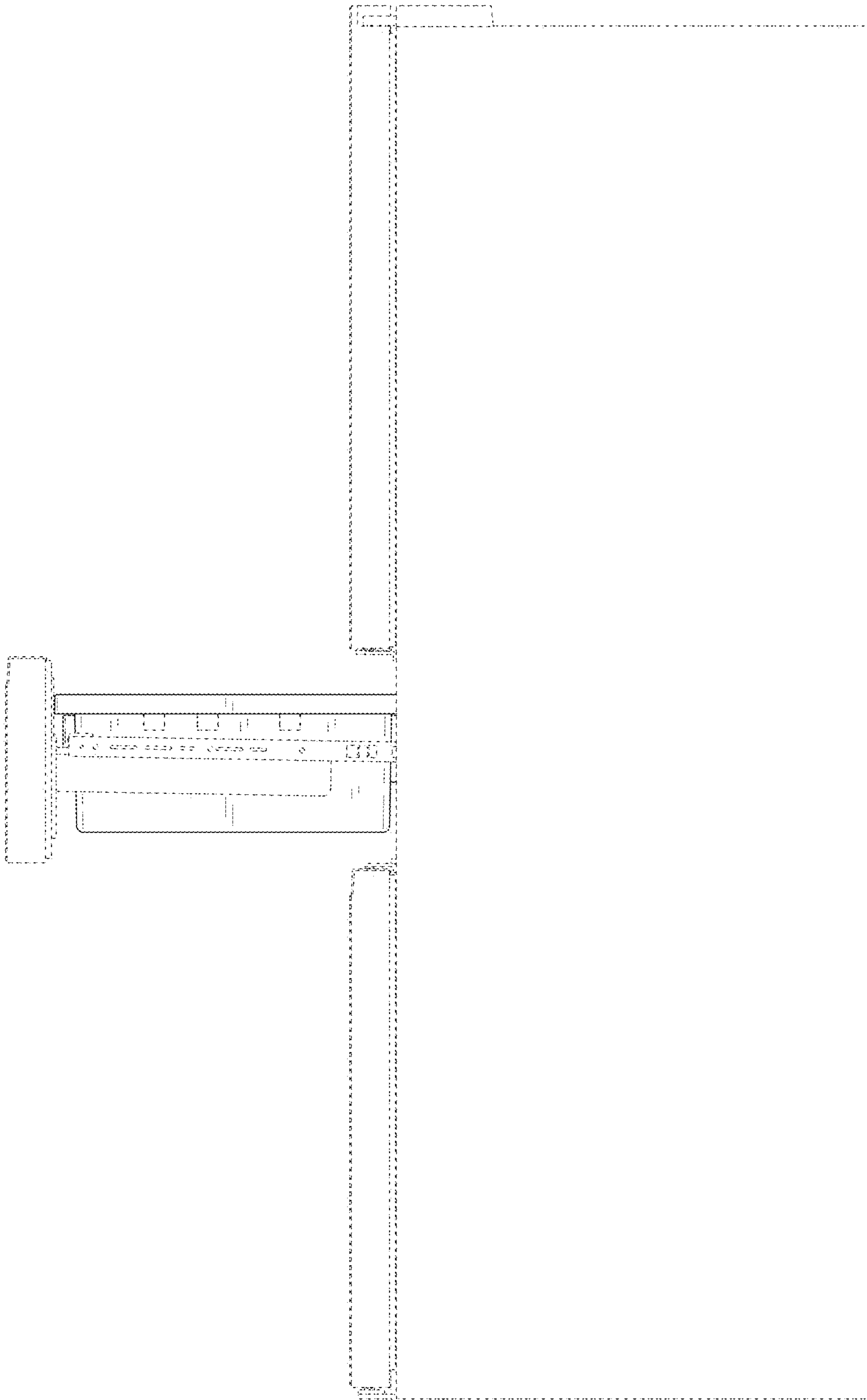


FIG. 13

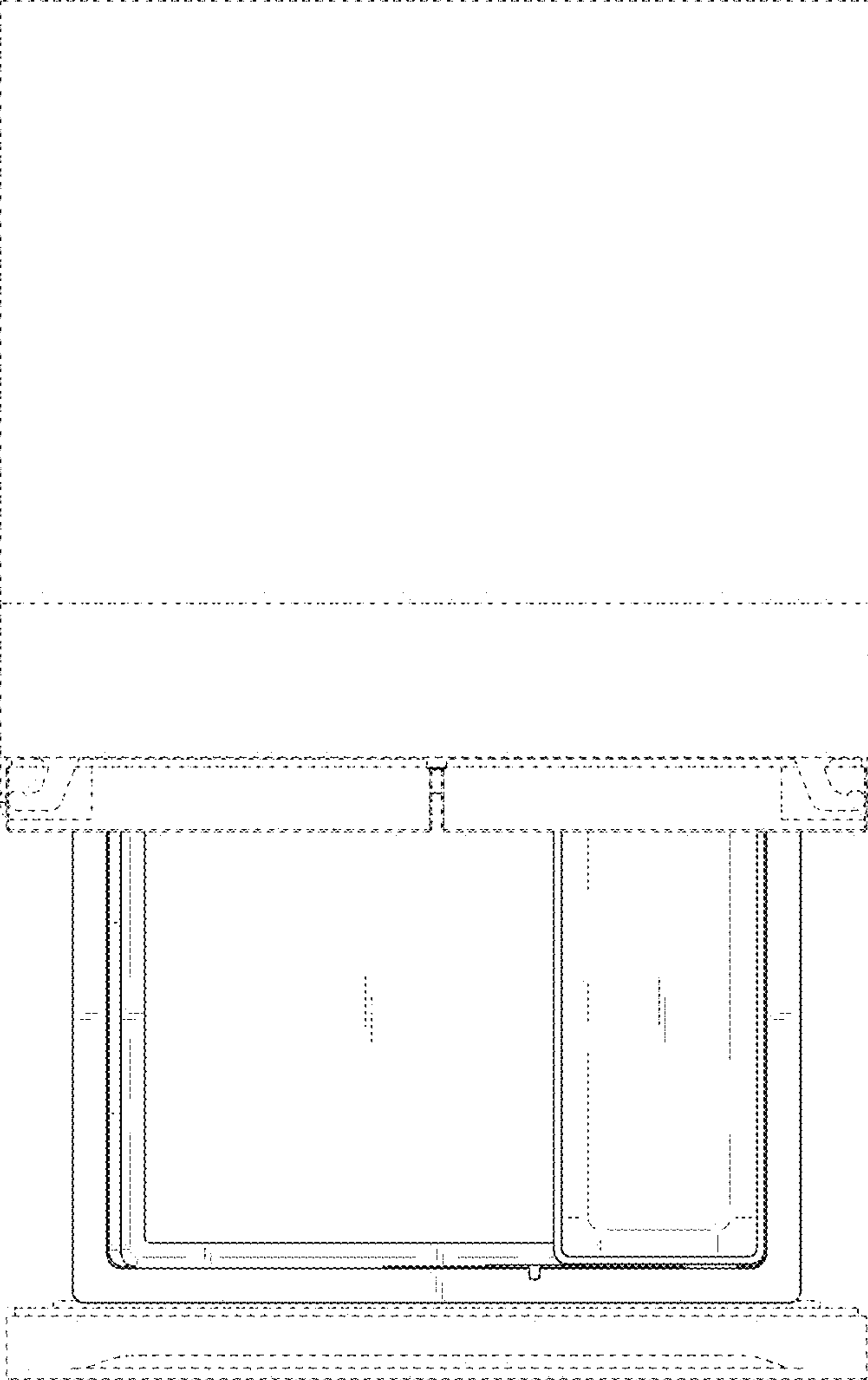


FIG. 14

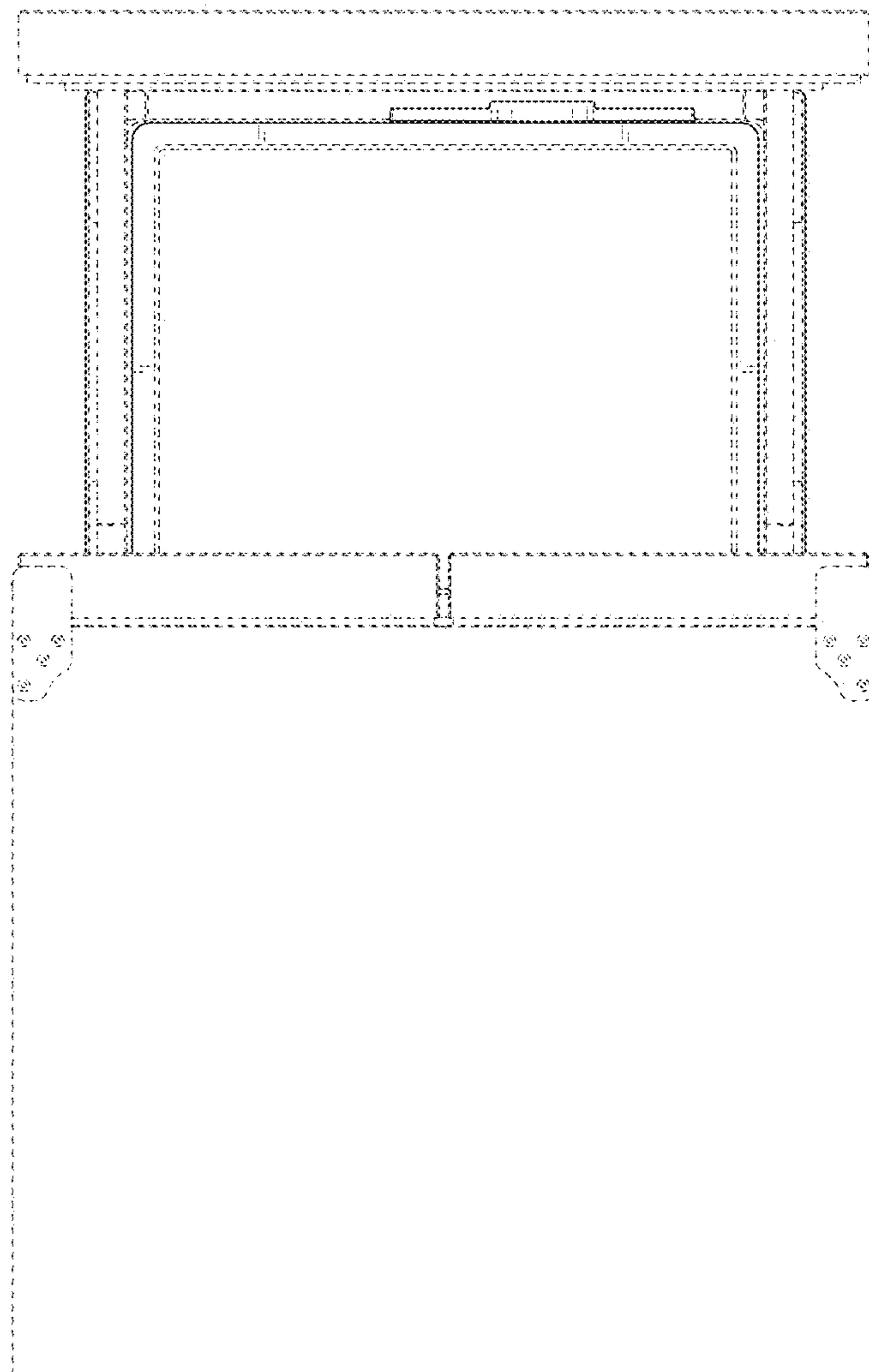


FIG. 15

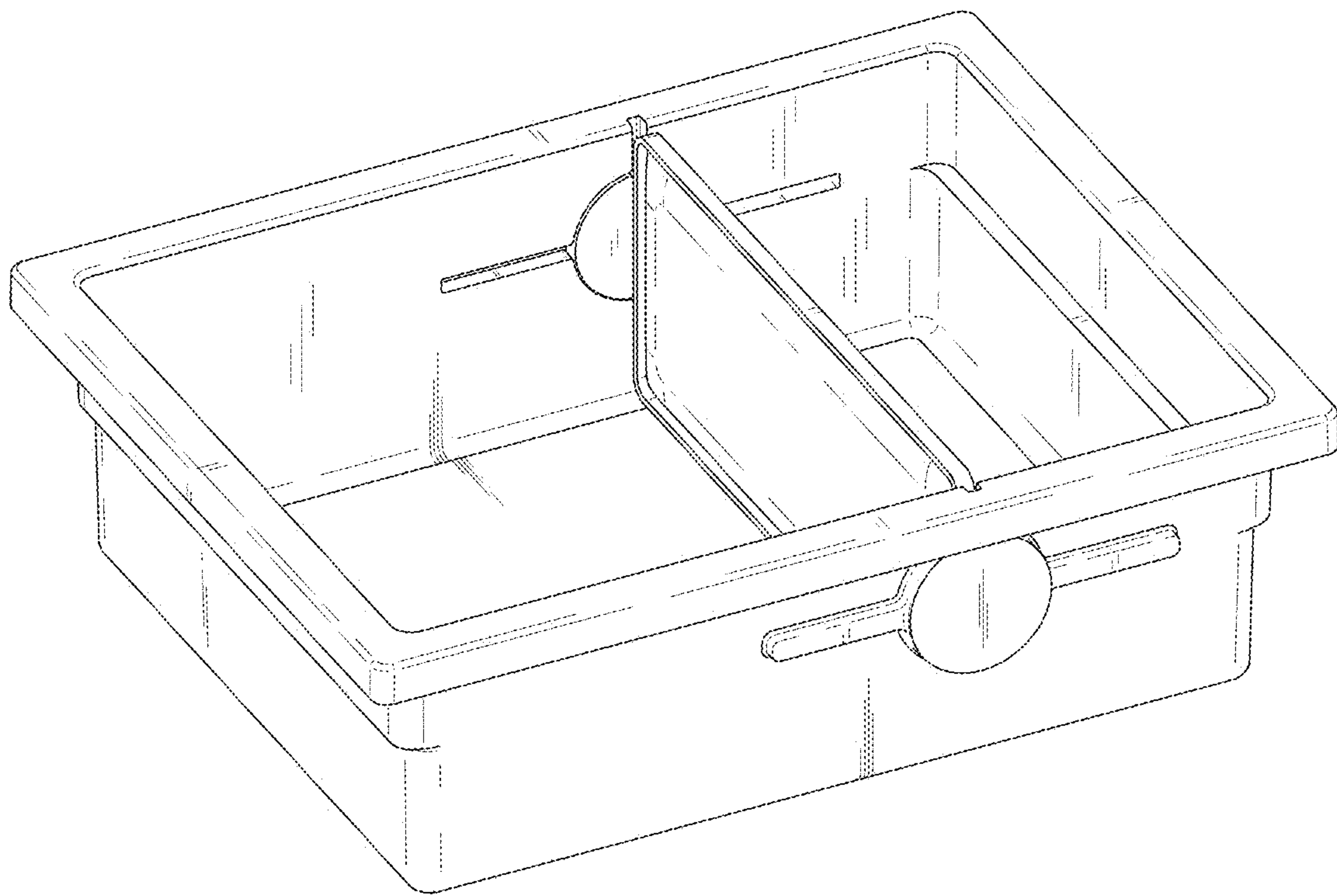


FIG. 16

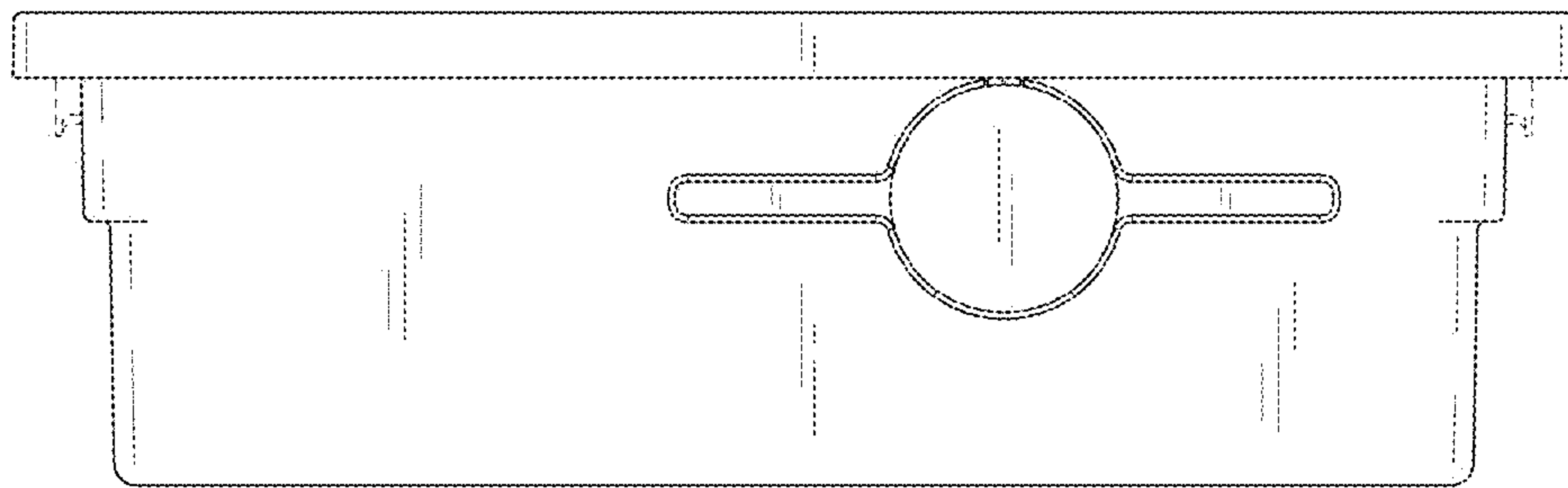


FIG. 17

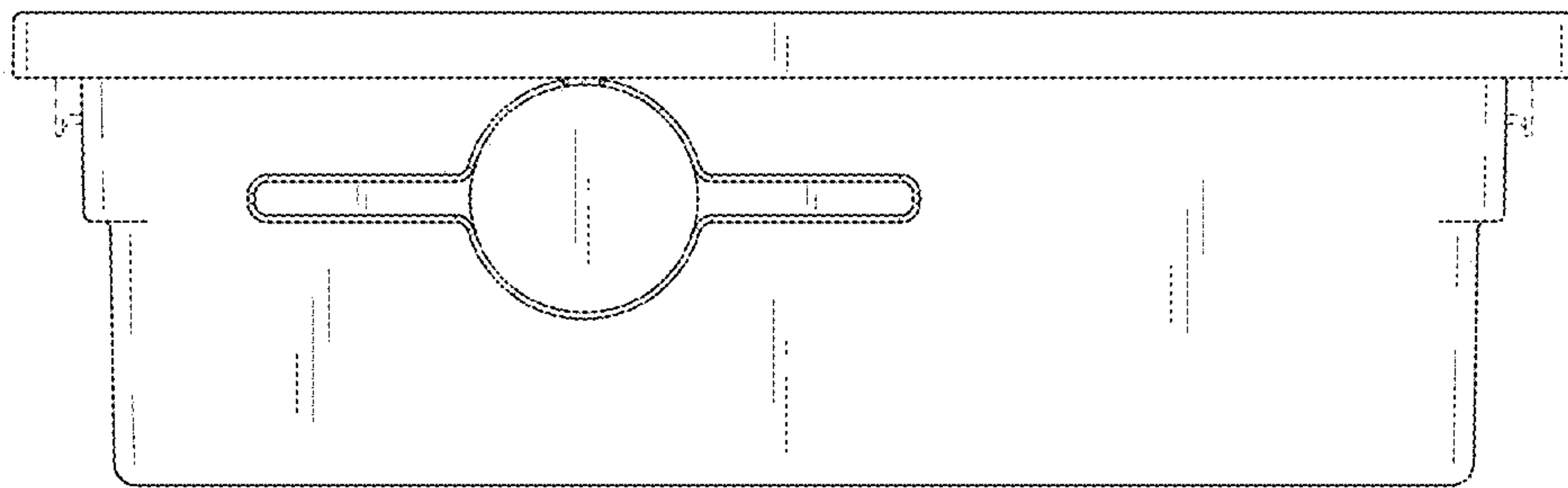


FIG. 18

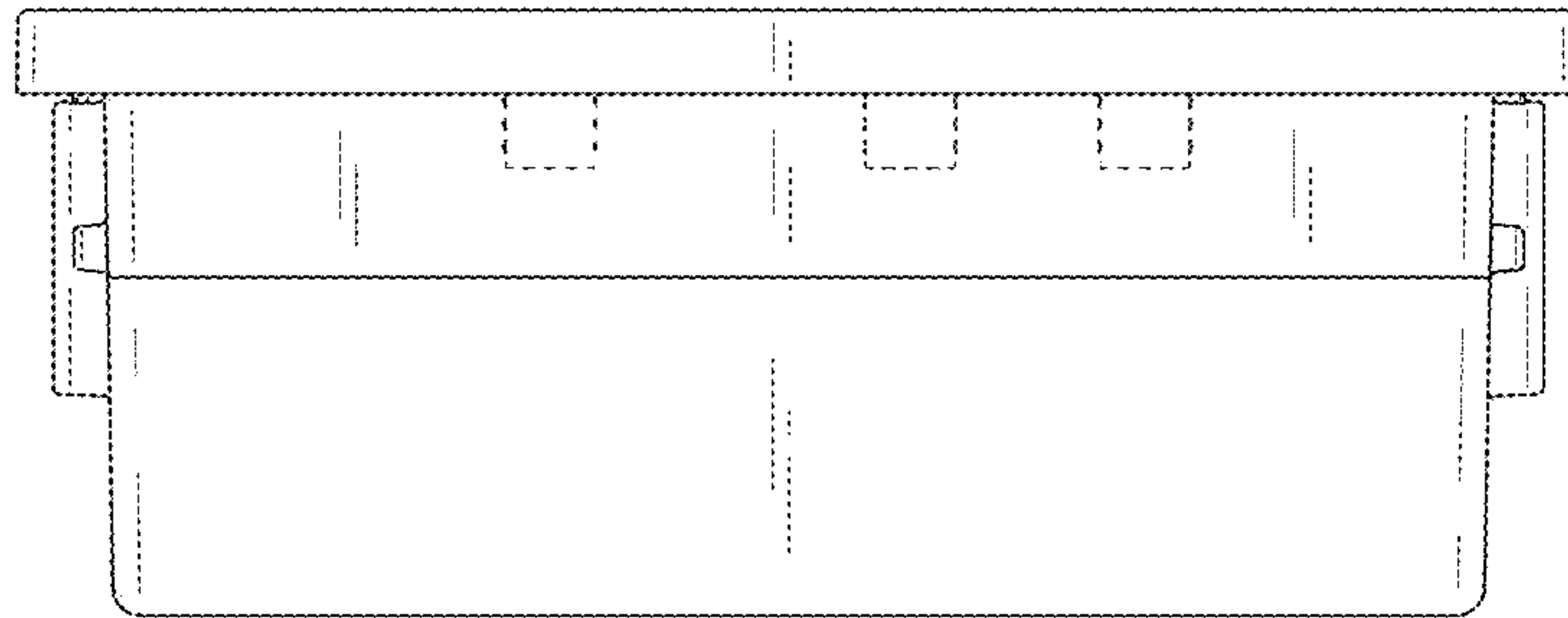


FIG. 19

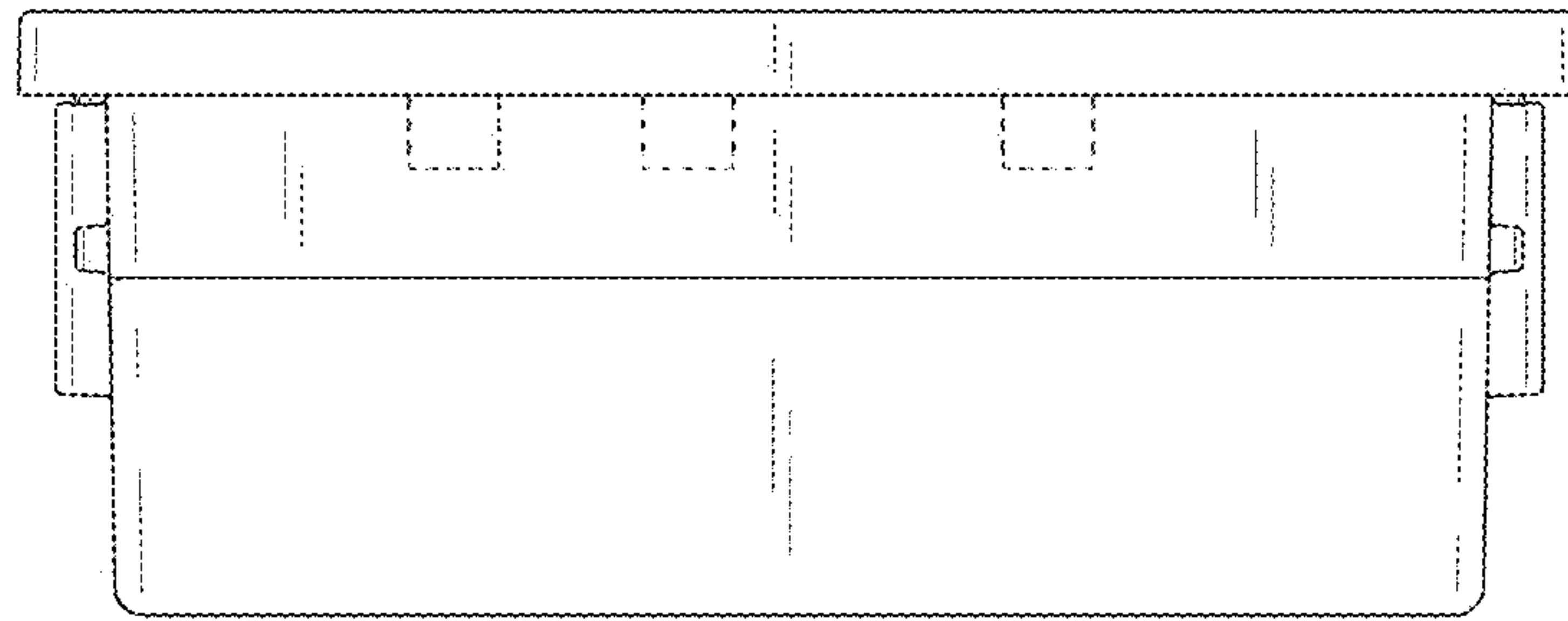


FIG. 20

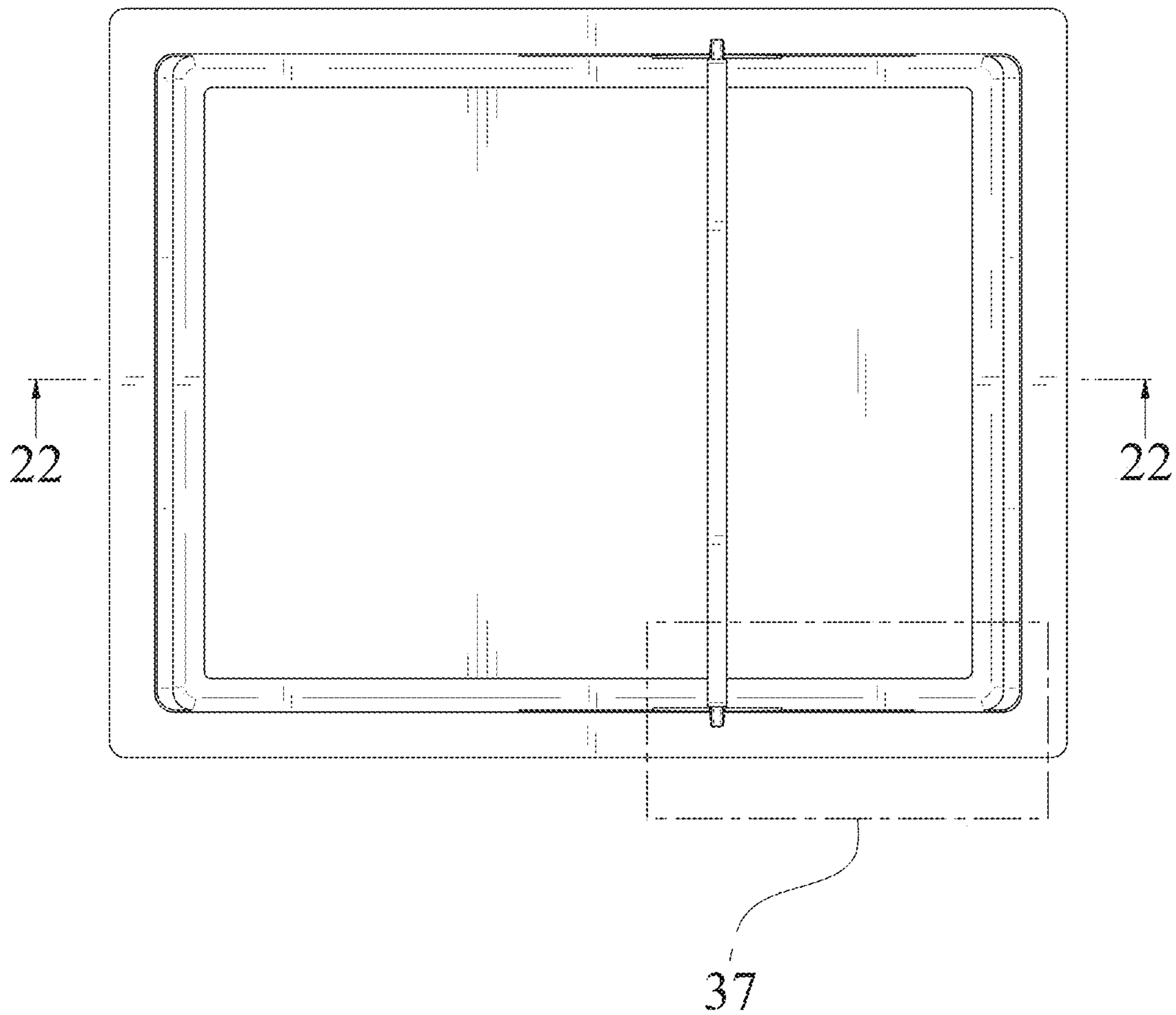


FIG. 21

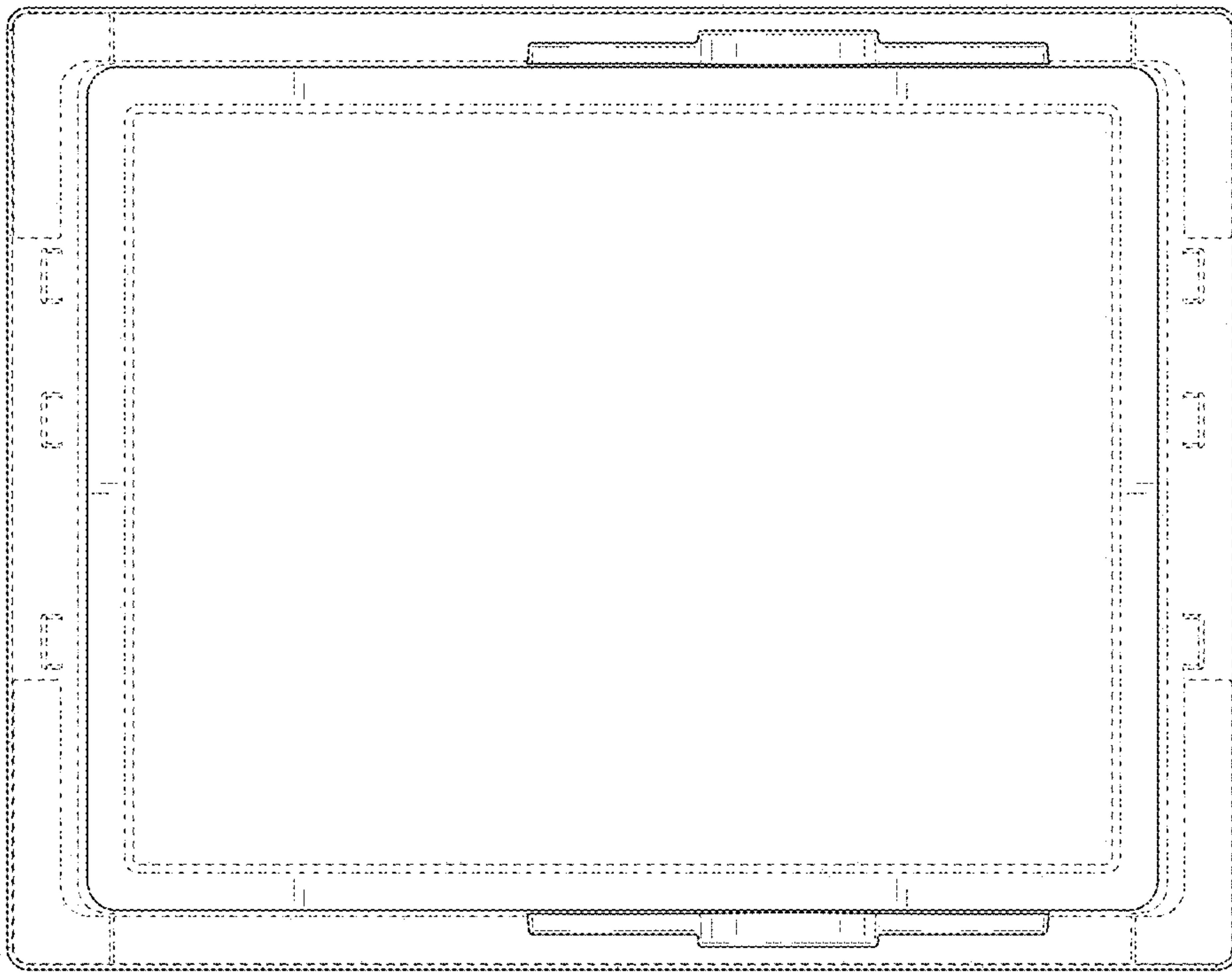


FIG. 22

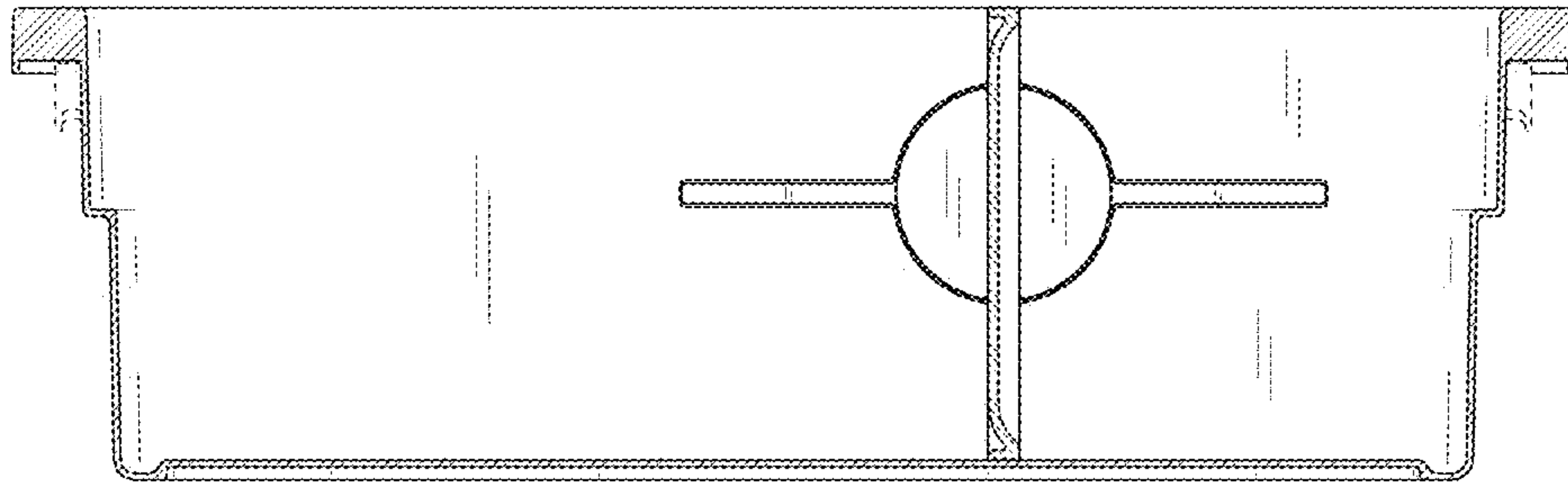


FIG. 23

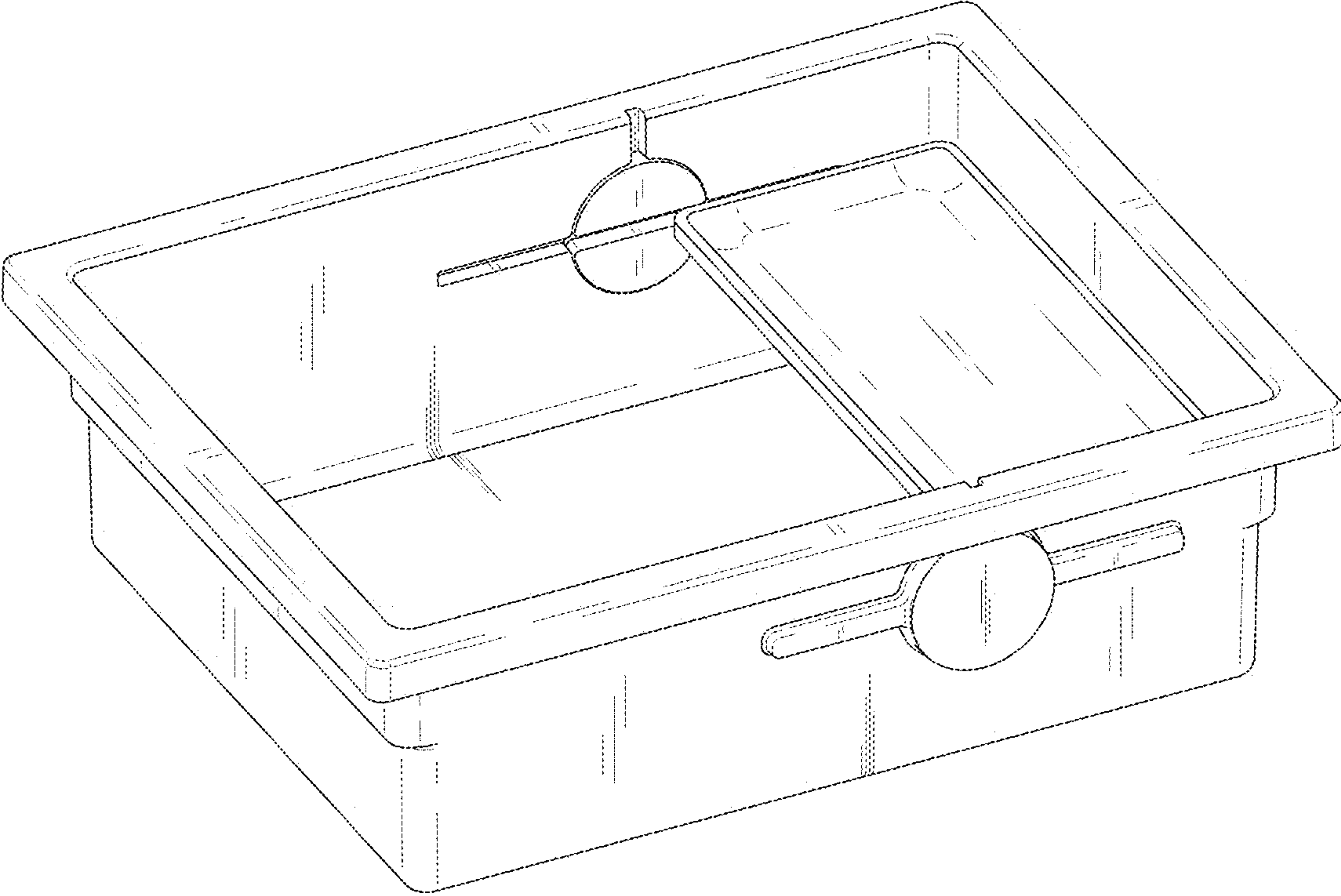


FIG. 24

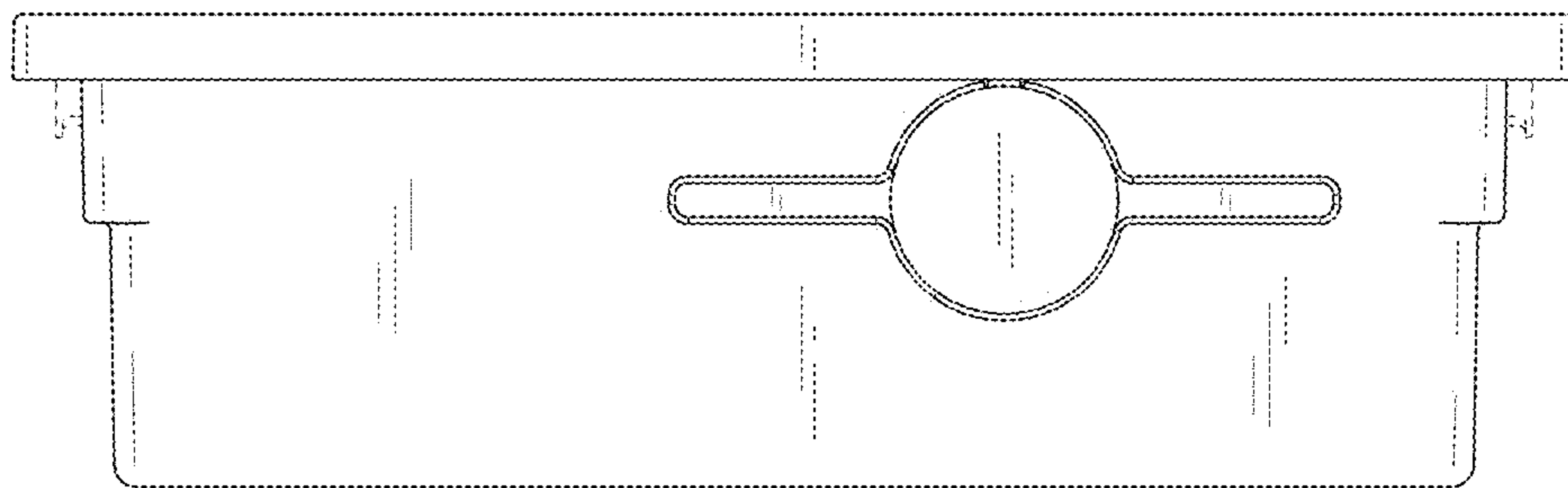


FIG. 25

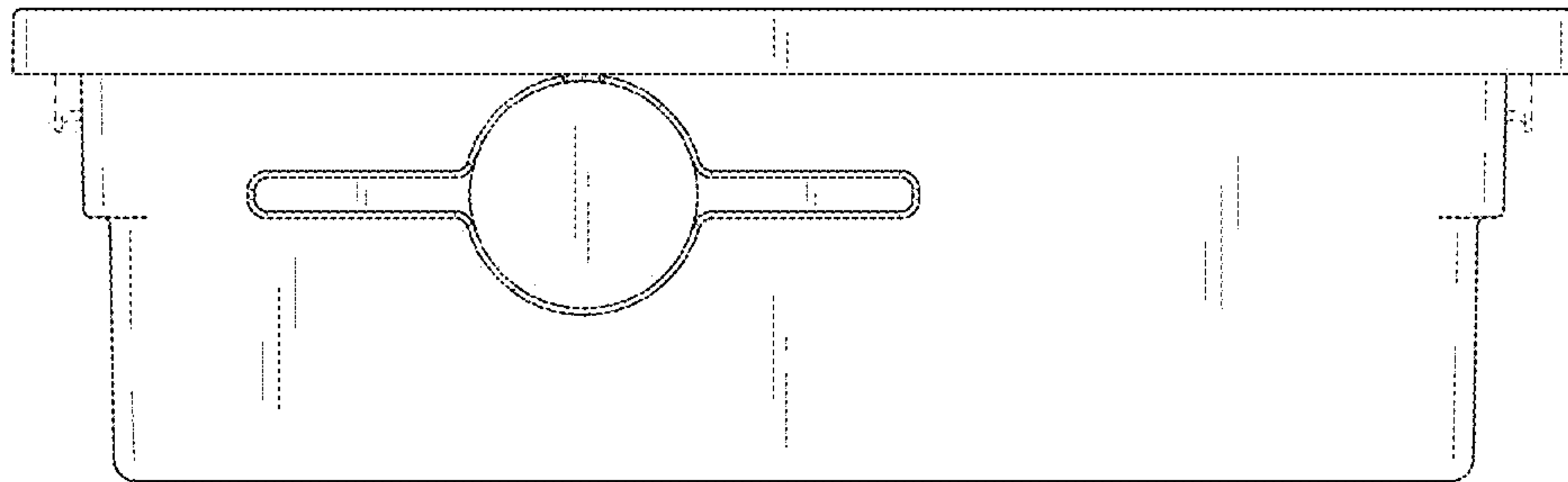


FIG. 26

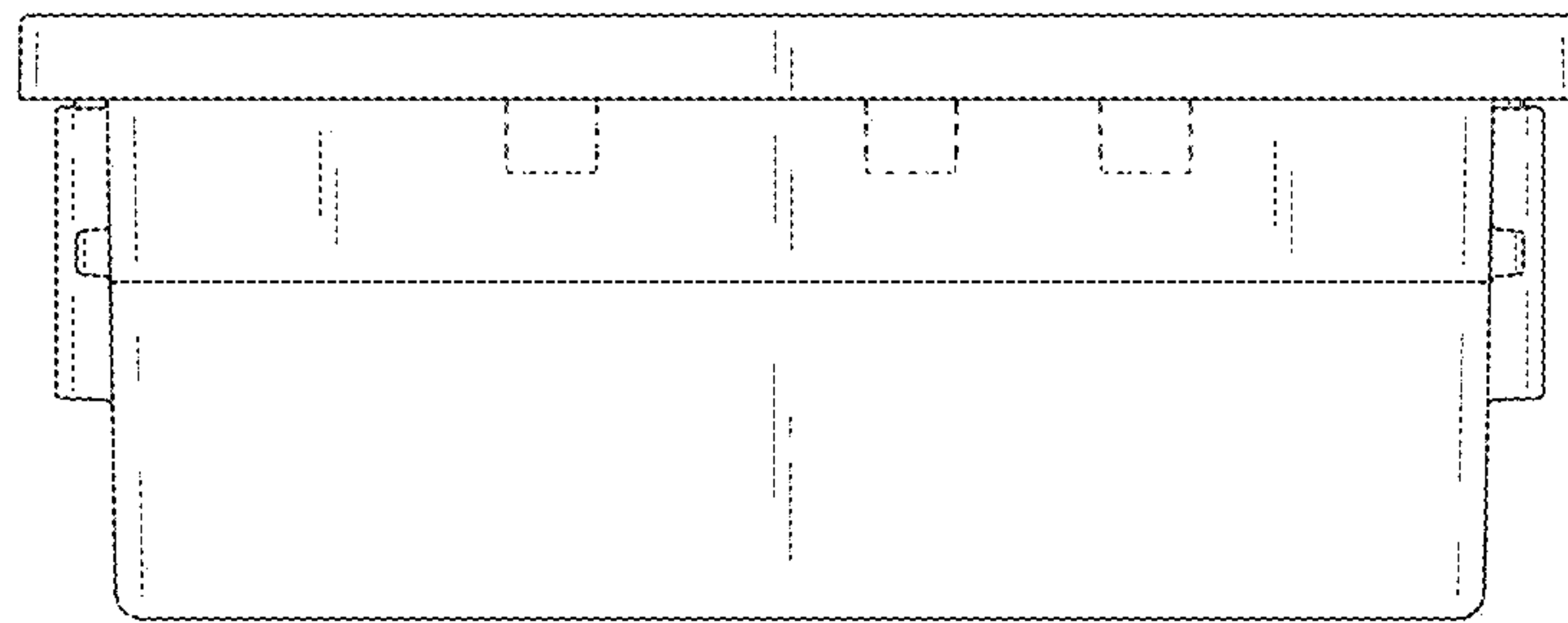


FIG. 27

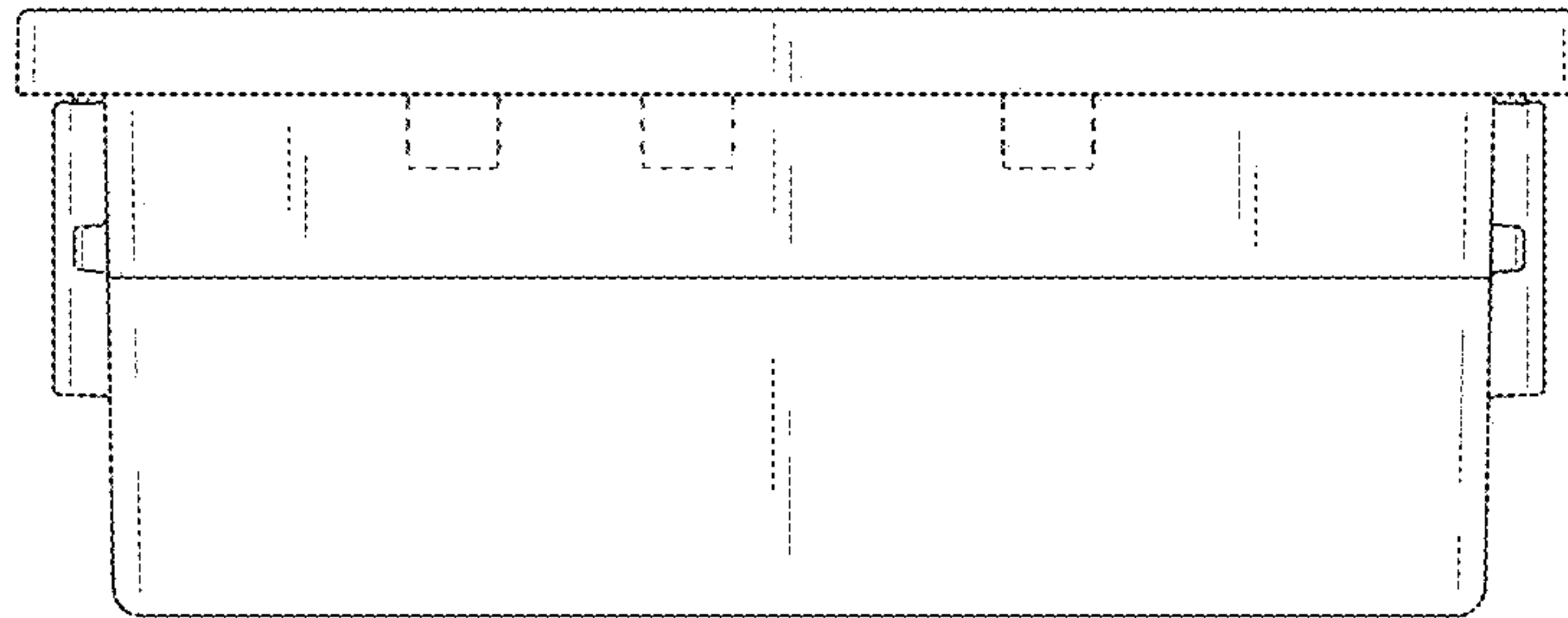


FIG. 28

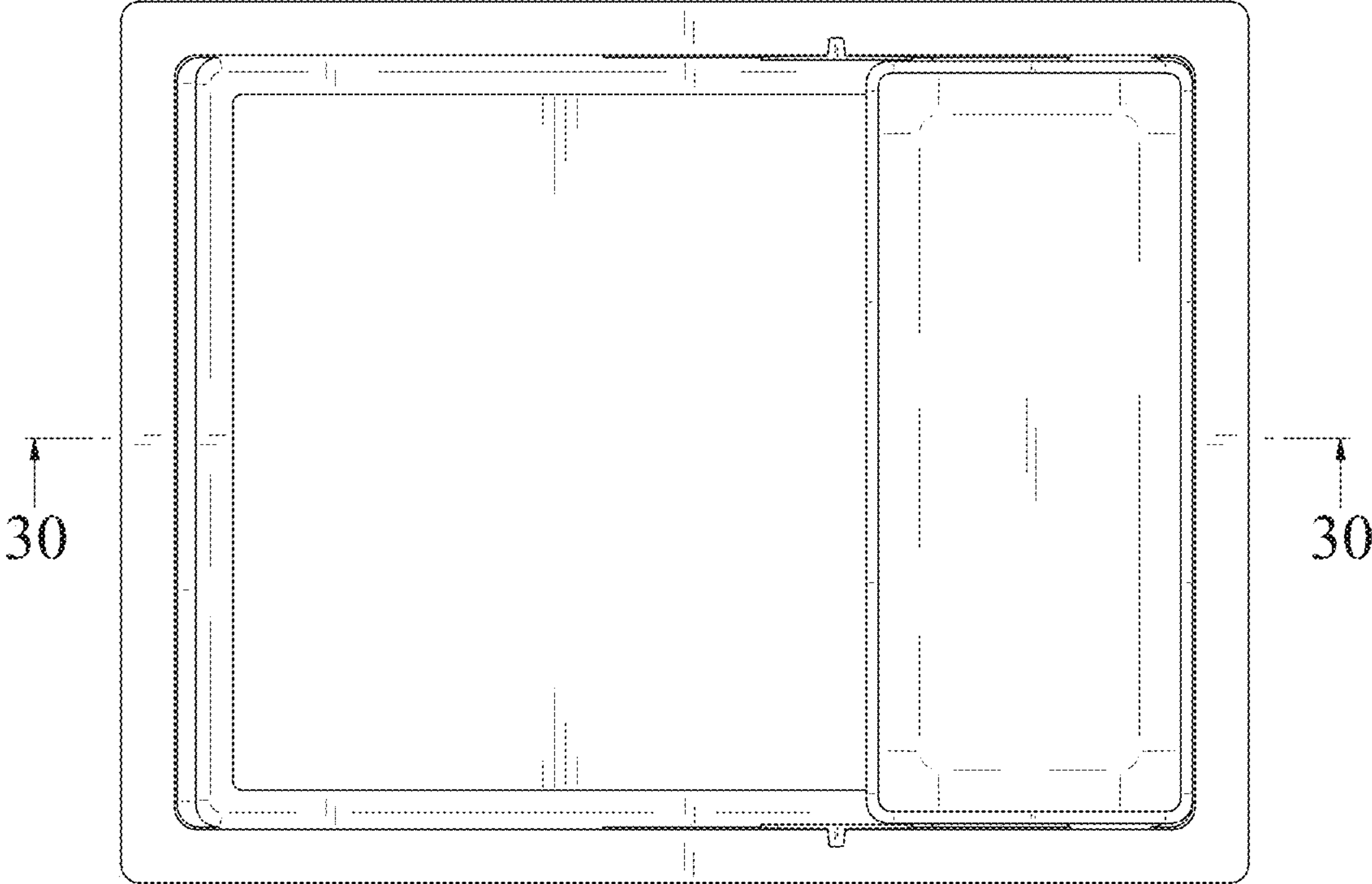


FIG. 29

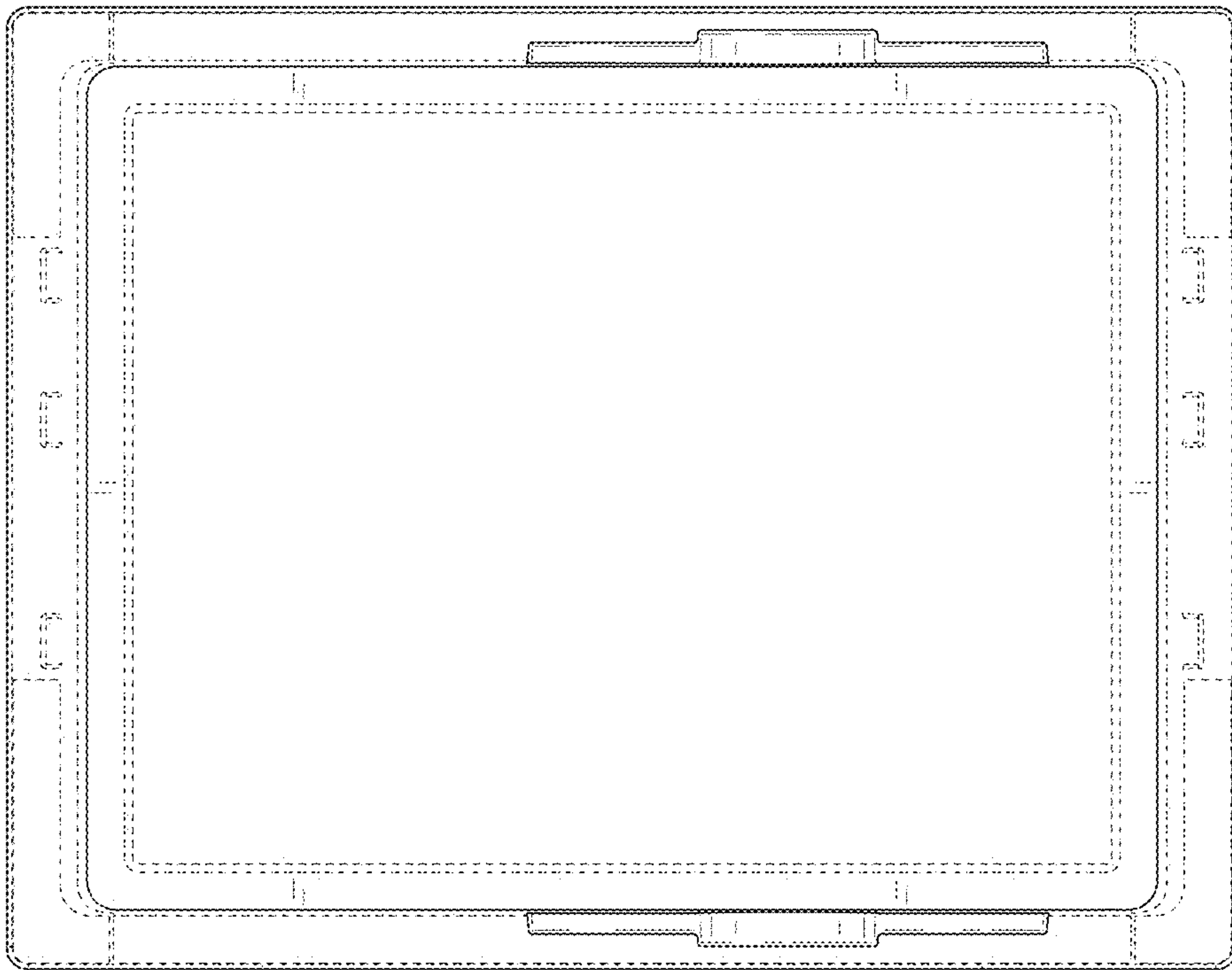


FIG. 30

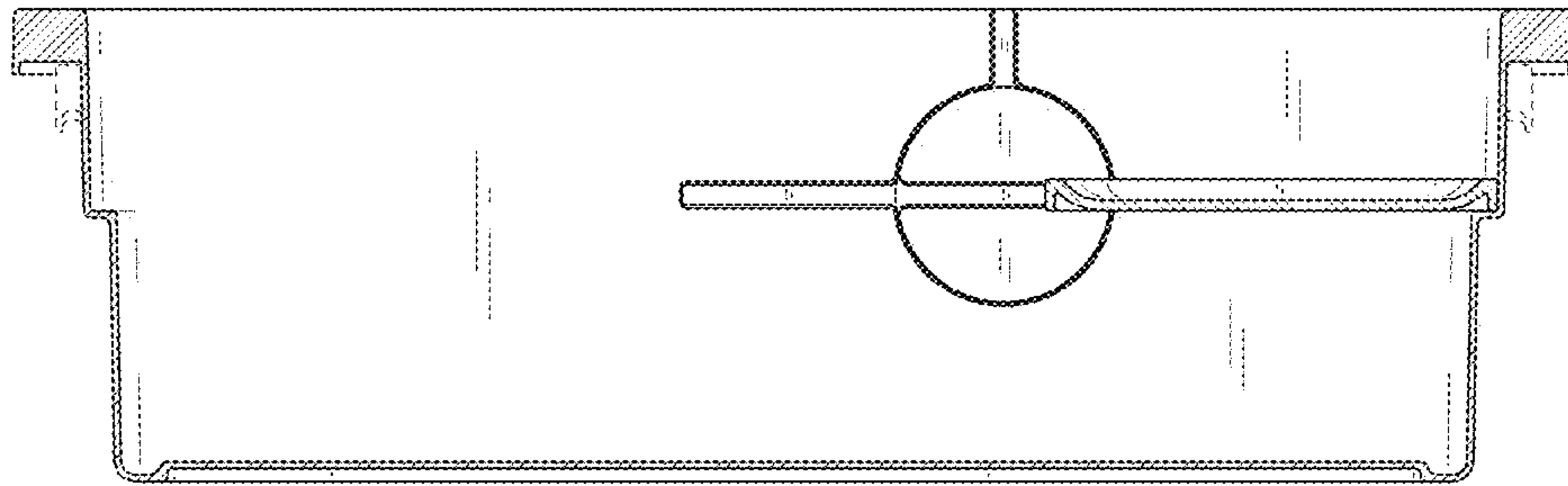


FIG. 31

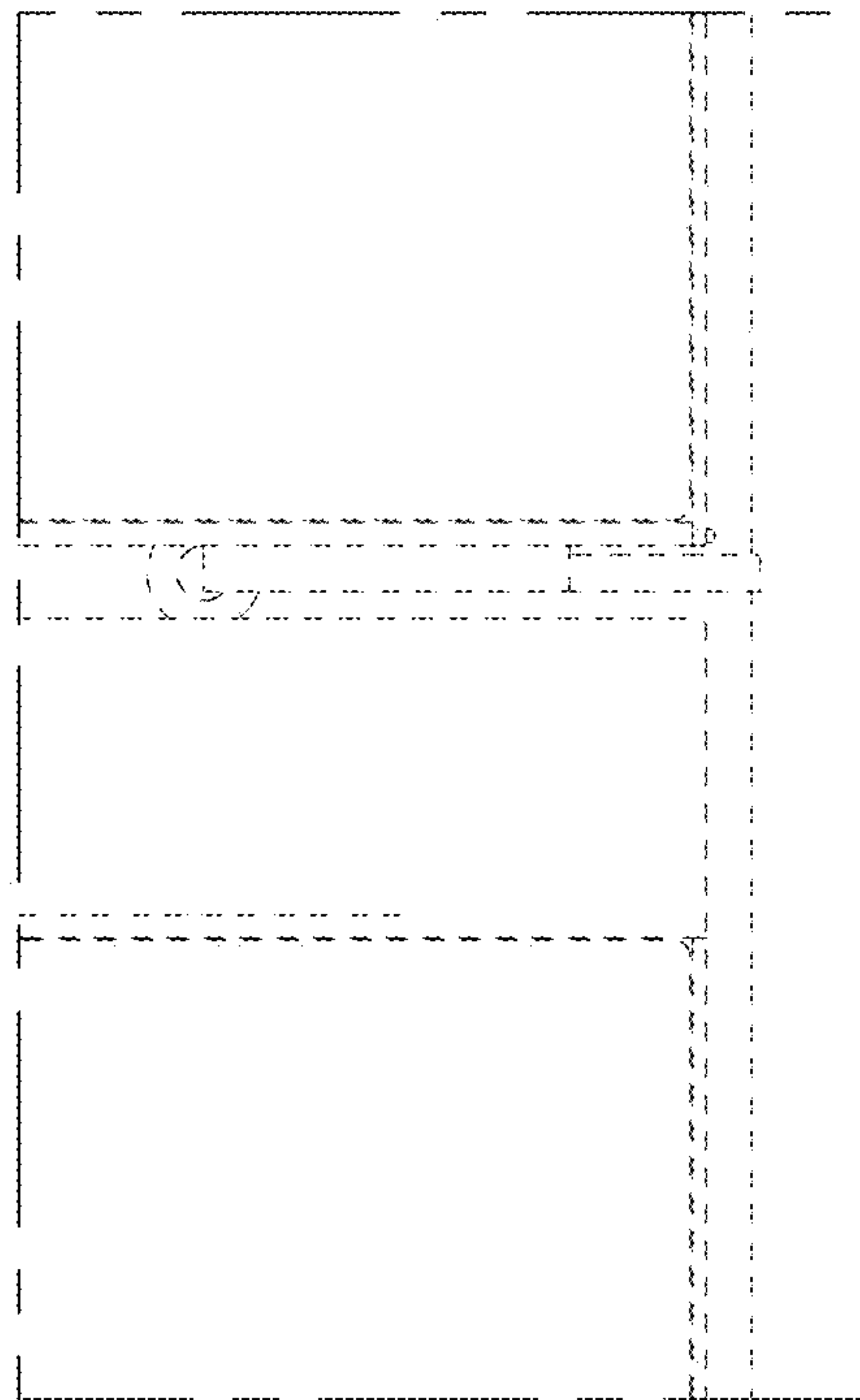


FIG. 32

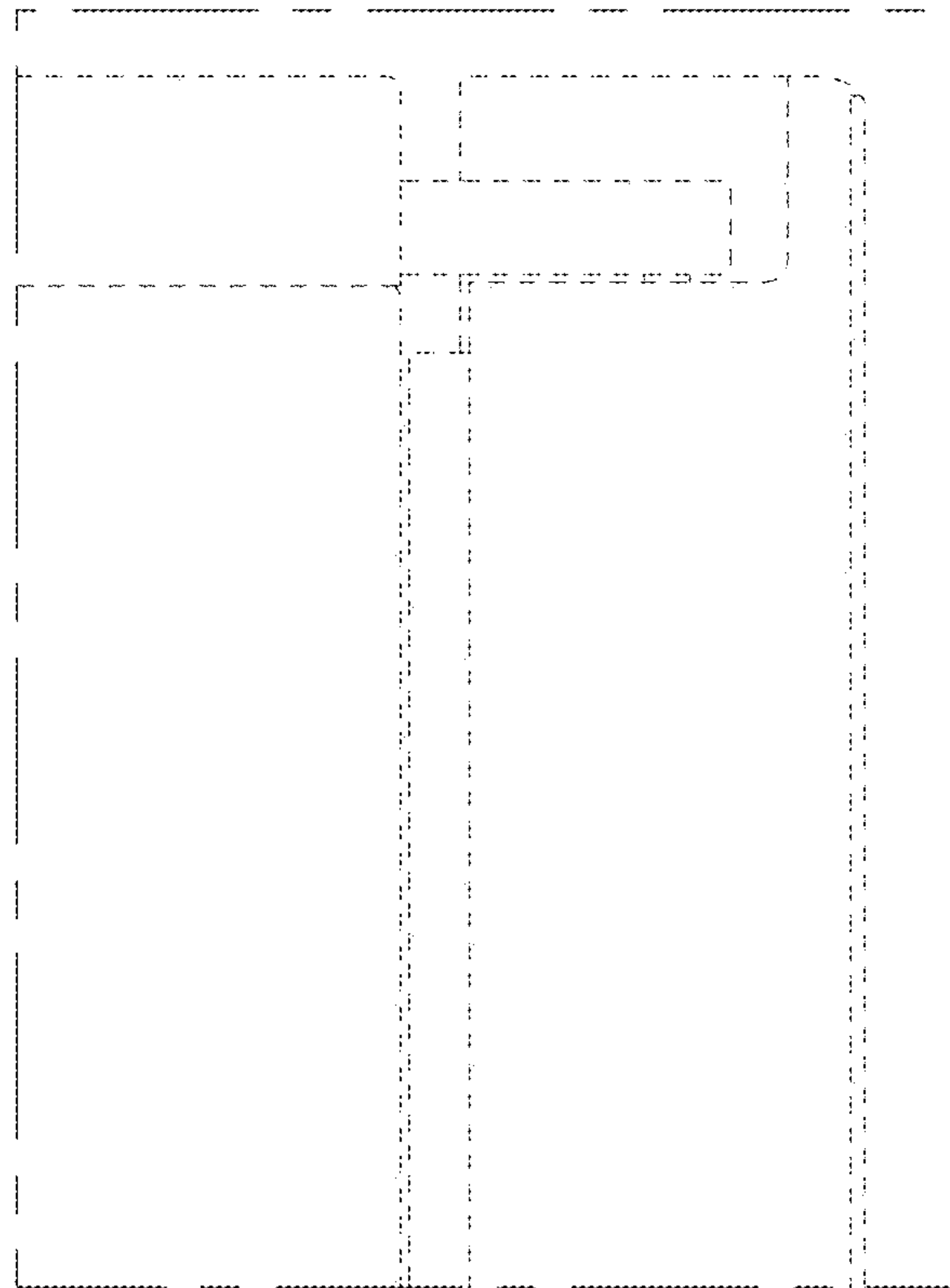


FIG. 33

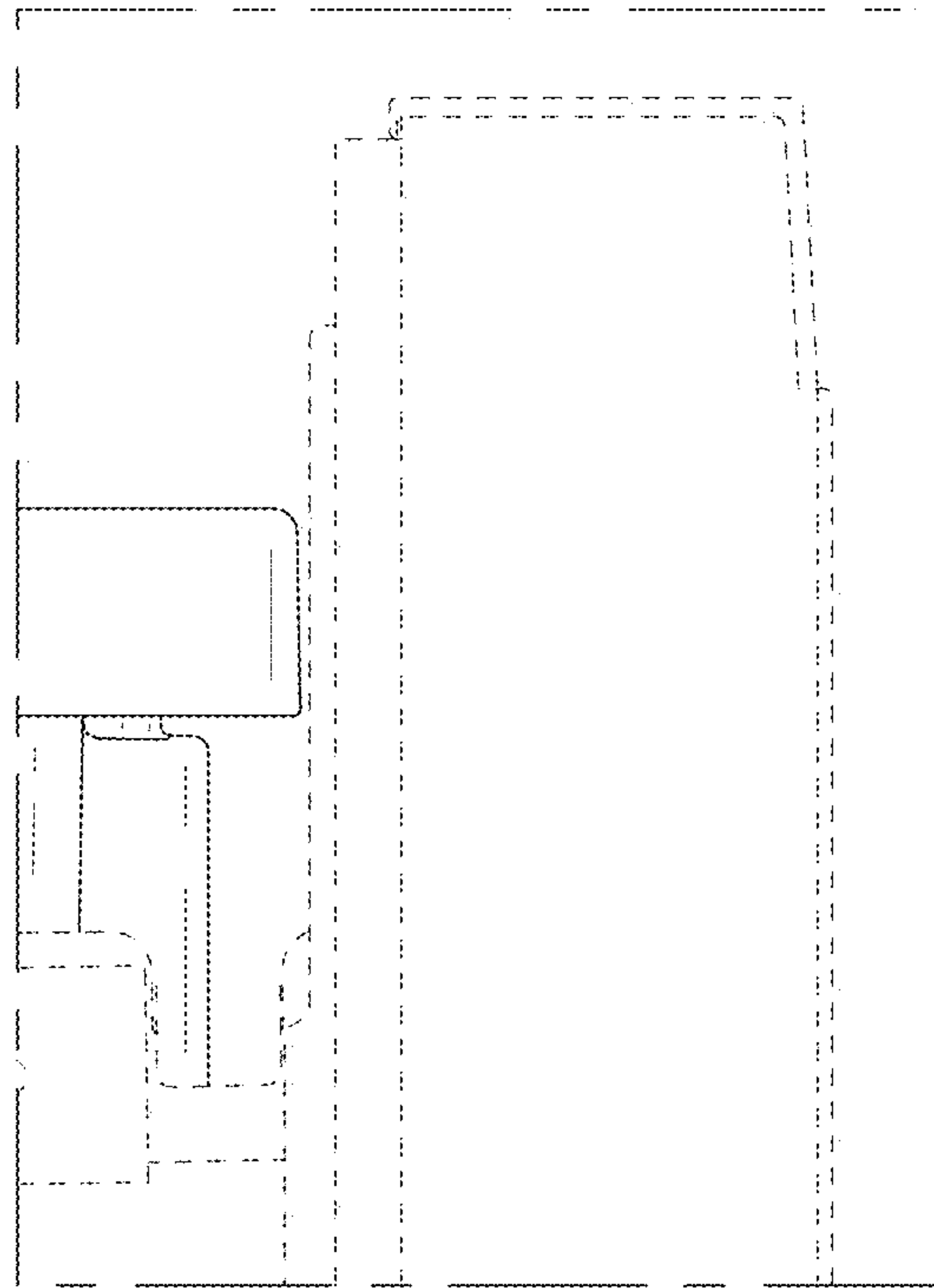


FIG. 34

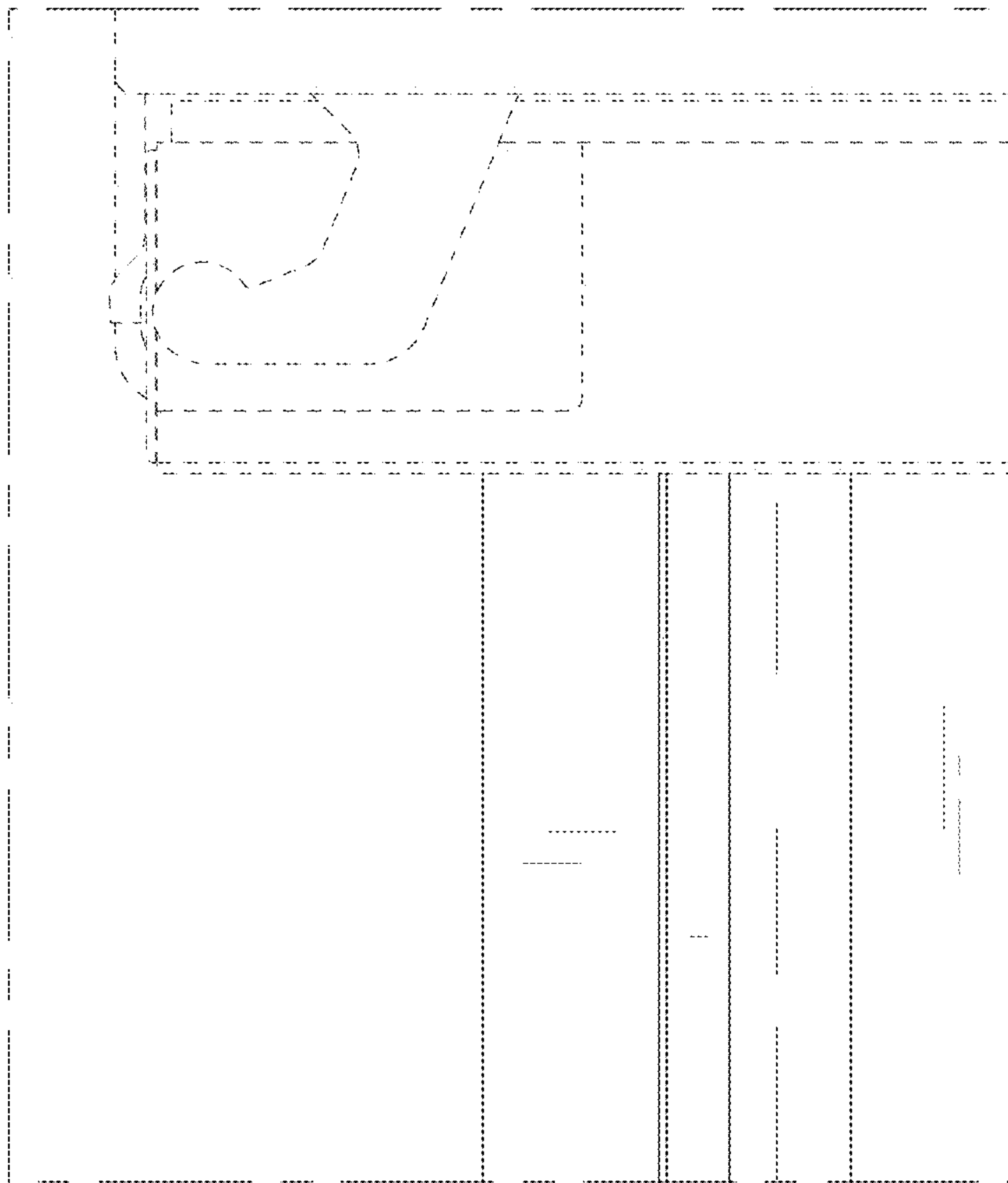


FIG. 35

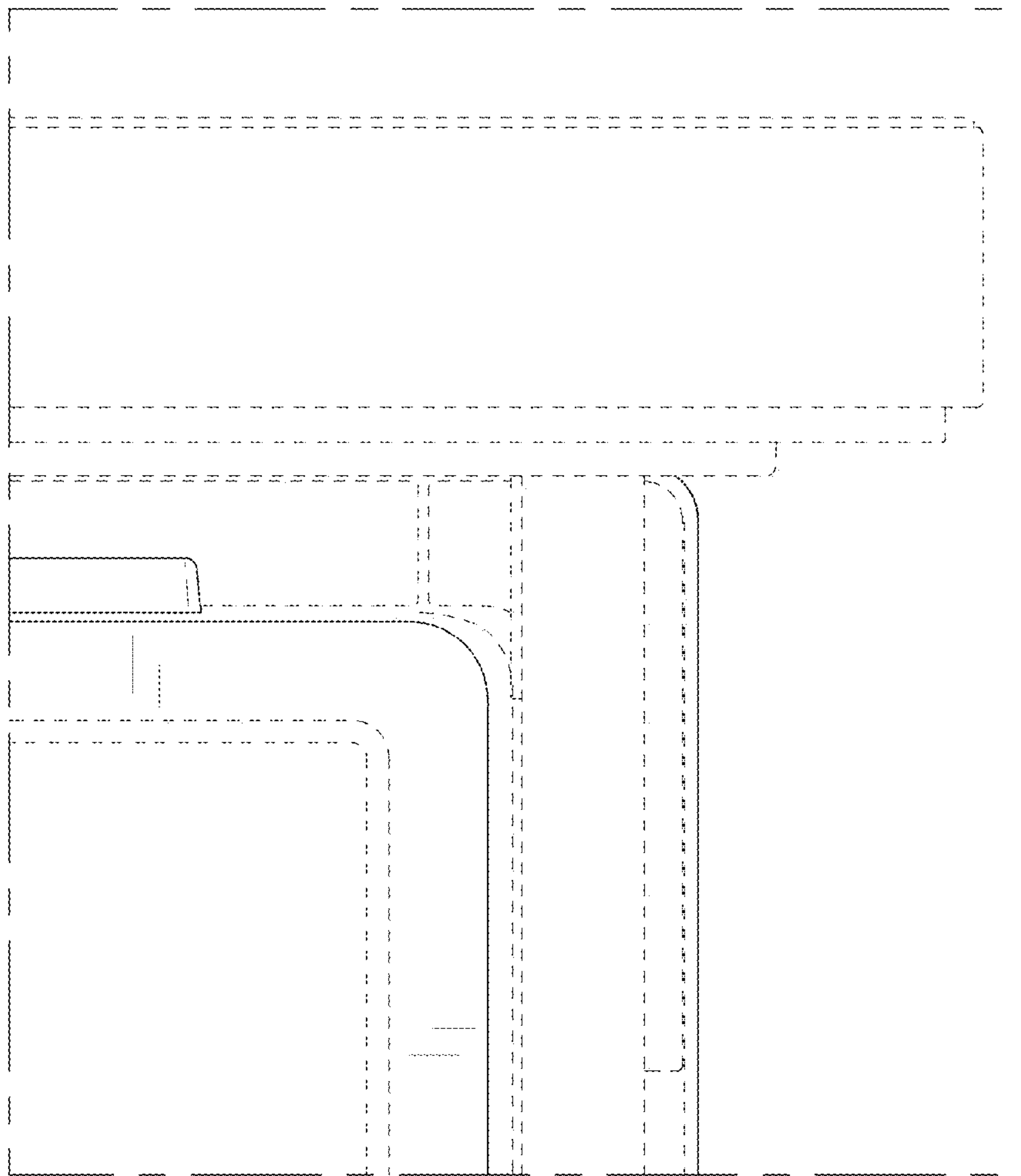


FIG. 36

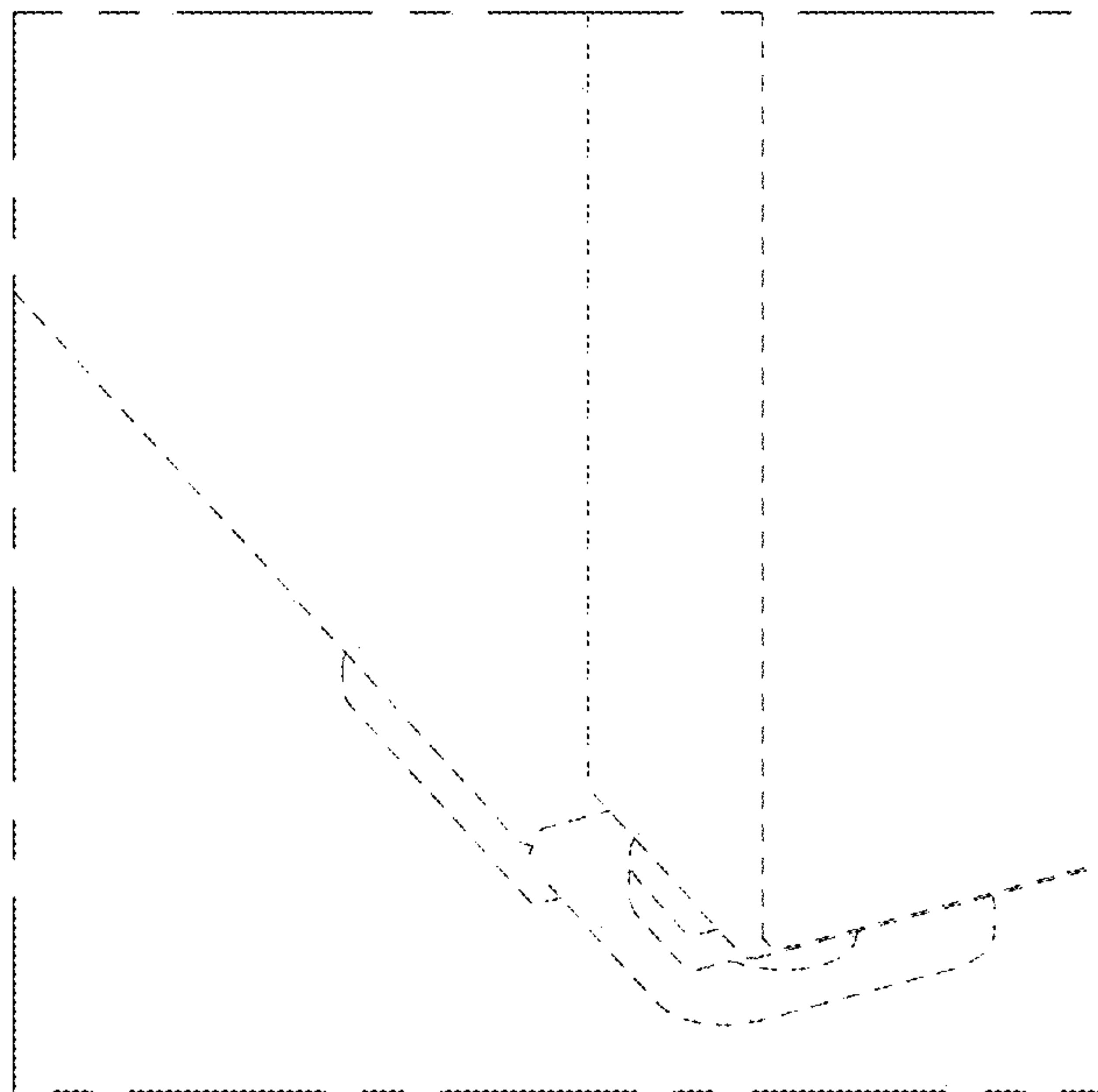


FIG. 37

