



US00D934920S

(12) **United States Design Patent** (10) **Patent No.:** **US D934,920 S**  
**Farnsworth et al.** (45) **Date of Patent:** **\*\* Nov. 2, 2021**

(54) **PUMP ENCLOSURE**  
(71) Applicant: **Hypertherm, Inc.**, Hanover, NH (US)  
(72) Inventors: **James Farnsworth**, Lino Lakes, MN (US); **Nicholas Krouse**, New Hope, MN (US)  
(73) Assignee: **Hypertherm, Inc.**, Hanover, NH (US)  
(\*\*) Term: **15 Years**

D762,570 S \* 8/2016 Precheur ..... D13/108  
D771,381 S \* 11/2016 Sosnovsky ..... D3/279  
D777,426 S \* 1/2017 Dahl ..... D3/262  
D806,016 S \* 12/2017 Villarreal ..... D13/103  
D861,596 S \* 10/2019 Oliver ..... D13/107  
D873,018 S \* 1/2020 Seibert ..... D3/294  
D873,875 S \* 1/2020 Hruska ..... D15/144  
D878,423 S \* 3/2020 Andersson ..... D15/7  
D893,869 S \* 8/2020 Kramer ..... D3/282  
D923,935 S \* 7/2021 Brunner ..... D3/276  
2005/0066908 A1\* 3/2005 Park ..... A01K 1/031  
119/419

(Continued)

(21) Appl. No.: **29/733,127**  
(22) Filed: **Apr. 29, 2020**  
(51) **LOC (13) Cl.** ..... **15-02**  
(52) **U.S. Cl.**  
USPC ..... **D15/7**  
(58) **Field of Classification Search**  
USPC ..... D23/210, 365; D9/420, 423, 759, 761,  
D9/762; D3/203.6, 206, 905; D15/7-9  
CPC .... A01K 63/00; A01K 63/003; A01K 63/042;  
A01K 63/047; A01K 63/045; A01K  
63/04; A01K 63/10; A01K 61/00; C02F  
2103/007; C02F 1/001; F04B 47/02;  
F04B 49/002; F04B 2201/0202; F04B  
27/02; F04B 43/09; F04B 7/00; F04B  
9/113

See application file for complete search history.

(56) **References Cited**

**U.S. PATENT DOCUMENTS**

4,597,220 A \* 7/1986 Bourrie ..... A01G 13/04  
47/19.1  
D317,677 S \* 6/1991 Posso ..... D3/280  
D499,113 S \* 11/2004 Murayama ..... D15/7  
D523,517 S \* 6/2006 Flick ..... D23/202  
D543,030 S \* 5/2007 Schafer ..... D3/272  
D625,255 S \* 10/2010 DuMelle ..... D13/107  
D638,858 S \* 5/2011 Johnson ..... D15/7  
D699,180 S \* 2/2014 Sweere ..... D13/103

**OTHER PUBLICATIONS**

Hypertherm, Echion 15, 30, and 50 waterjet pumps, (site visited Sep. 1, 2021), Hypertherm website, URL: <<https://www.hypertherm.com/en-US/hypertherm/echion/echion-waterjet-pumps/>> (Year: 2021).\*

(Continued)

*Primary Examiner* — Calvin E Vansant  
*Assistant Examiner* — Mark T. Philipps  
(74) *Attorney, Agent, or Firm* — Perkins Coie LLP

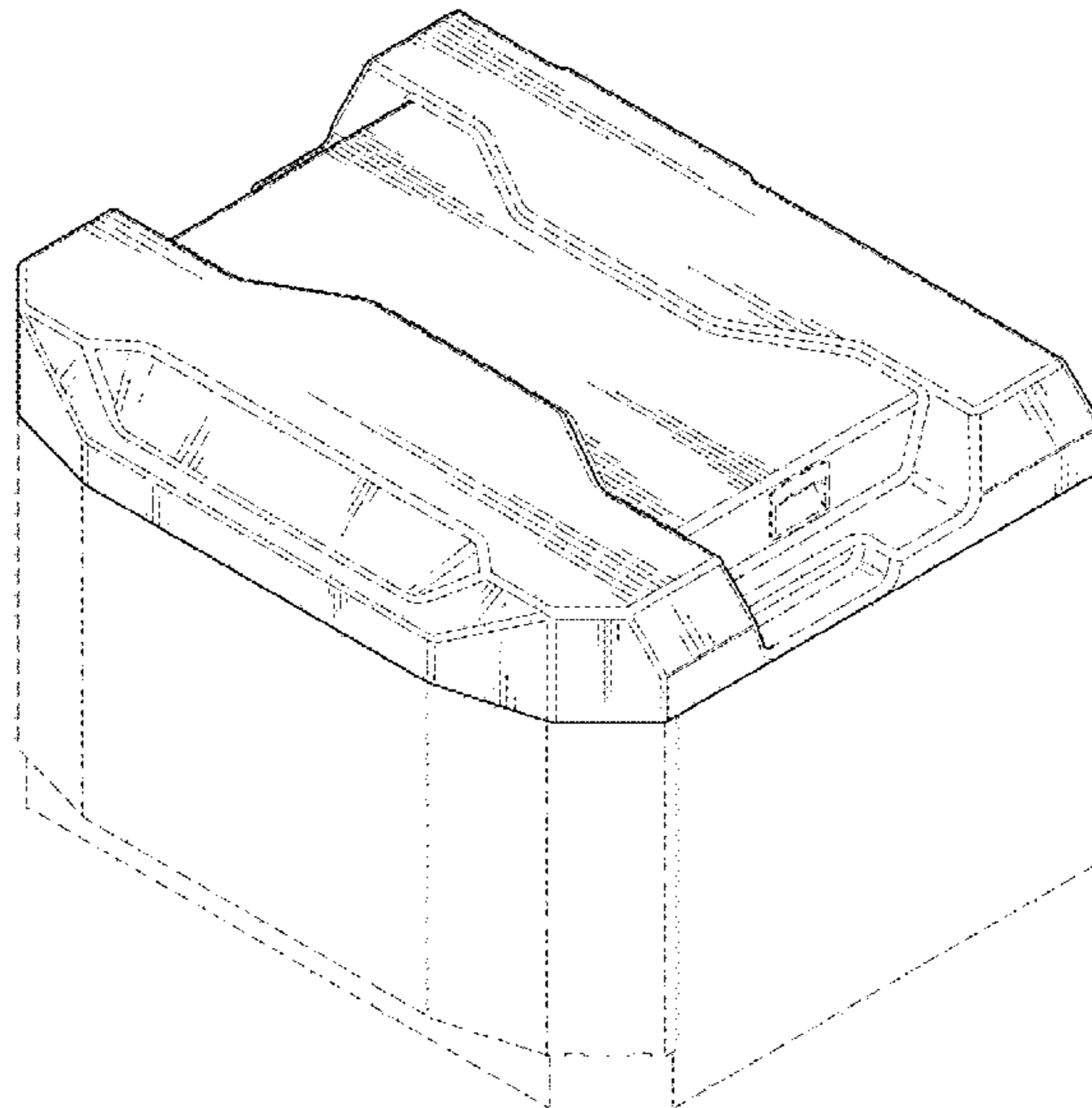
(57) **CLAIM**

The ornamental design for a pump enclosure, as shown and described.

**DESCRIPTION**

FIG. 1 is a front right top perspective view of a pump enclosure showing our new design;  
FIG. 2 is a rear left top perspective view thereof;  
FIG. 3 is a front elevation view thereof;  
FIG. 4 is a rear elevation view thereof;  
FIG. 5 is a left side elevation view thereof;  
FIG. 6 is a right side elevation view thereof; and,  
FIG. 7 is a top plan view thereof.  
The broken lines shown in the figures represent portions of the pump enclosure that form no part of the claimed design.

**1 Claim, 4 Drawing Sheets**



(56)

**References Cited**

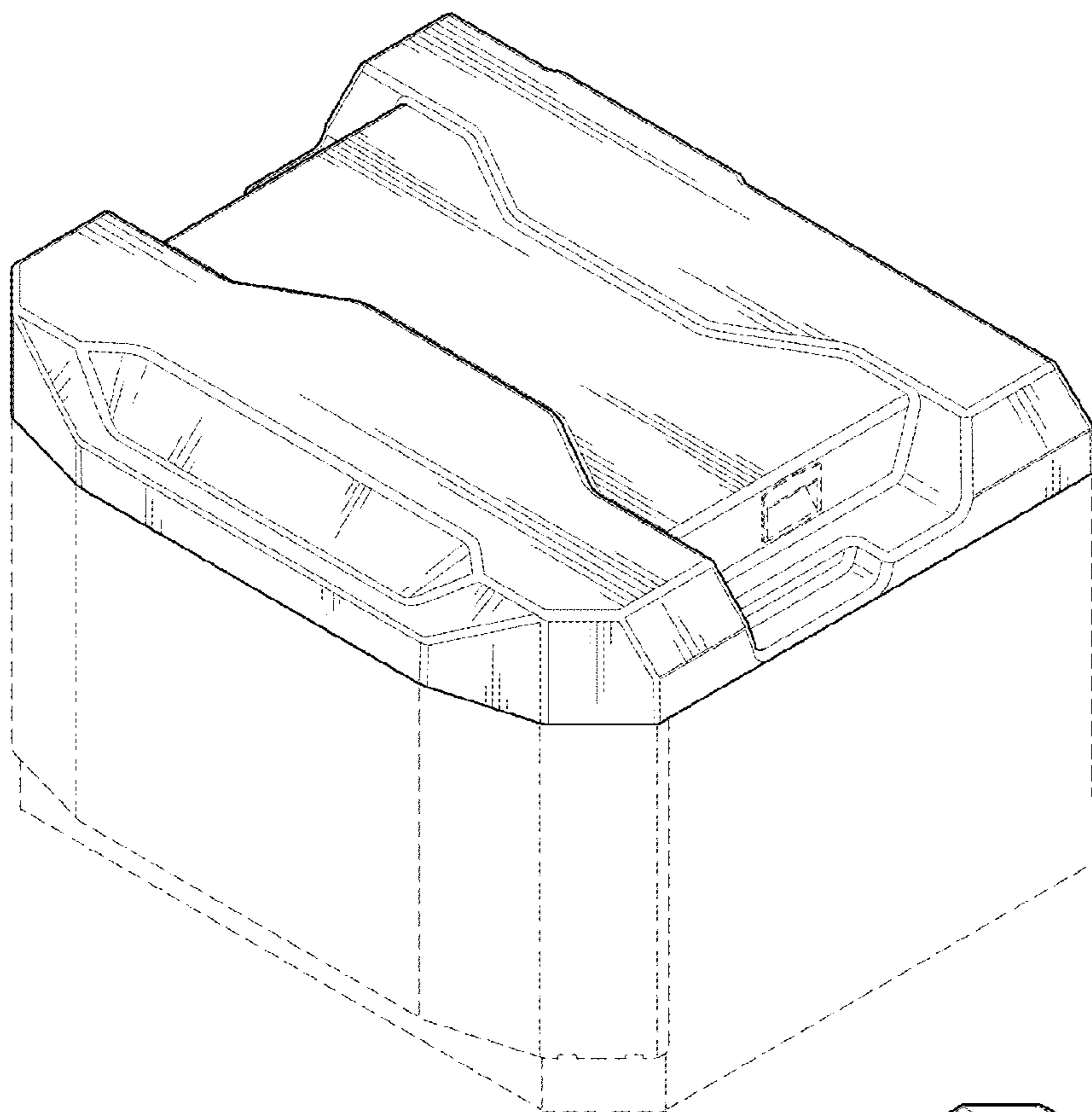
U.S. PATENT DOCUMENTS

2008/0236507 A1\* 10/2008 Conger ..... A01K 1/00  
119/417

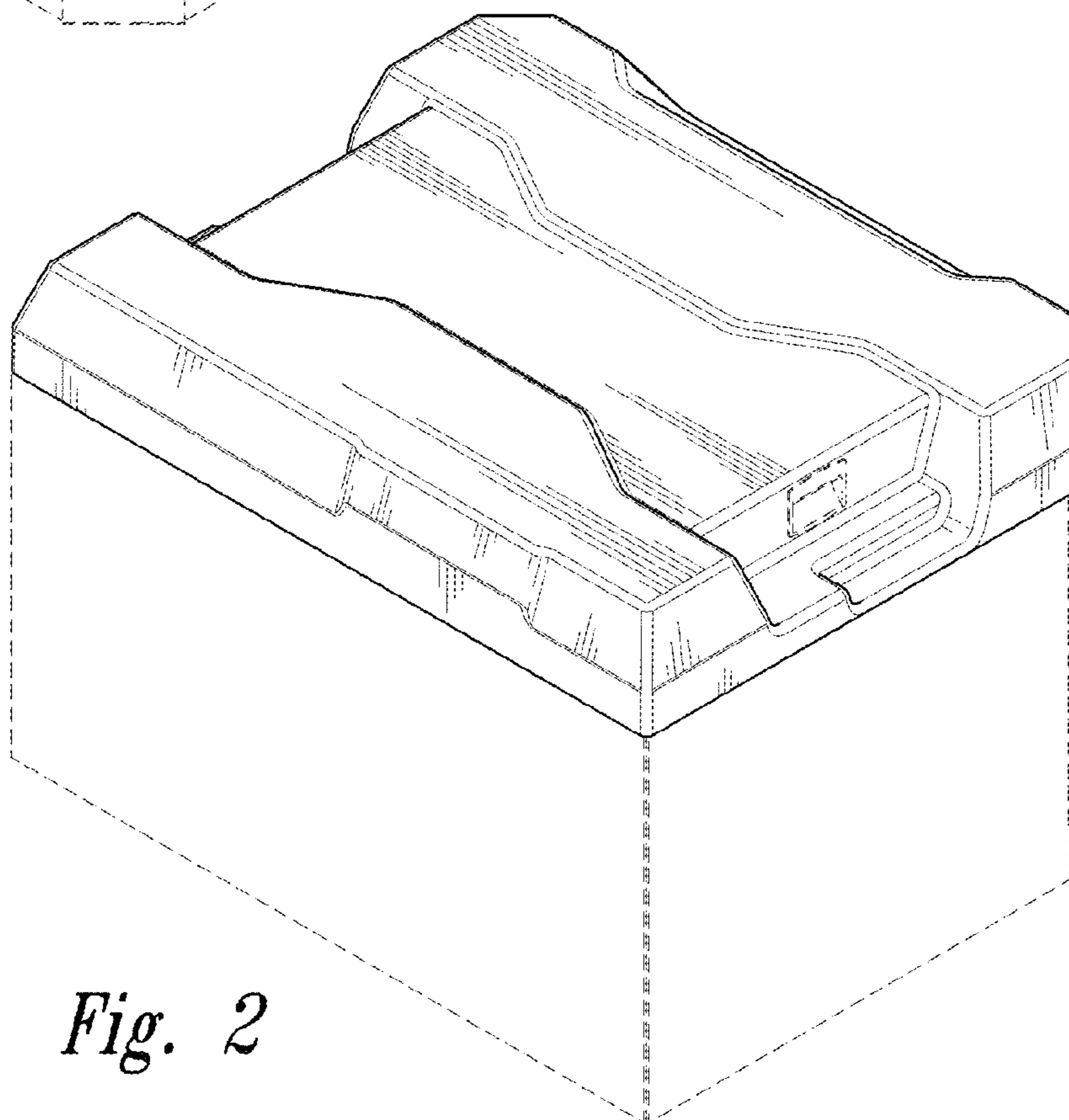
OTHER PUBLICATIONS

Liberty, FKITALM Pre-Assembled Sump Pump Systems, (first available date Apr. 16, 2012), Amazon.com, URL:<<https://www.amazon.com/Liberty-FKITALM-Pre-Assembled-Sump-Systems/dp/B007NO0CXQ>> (Year: 2012).\*

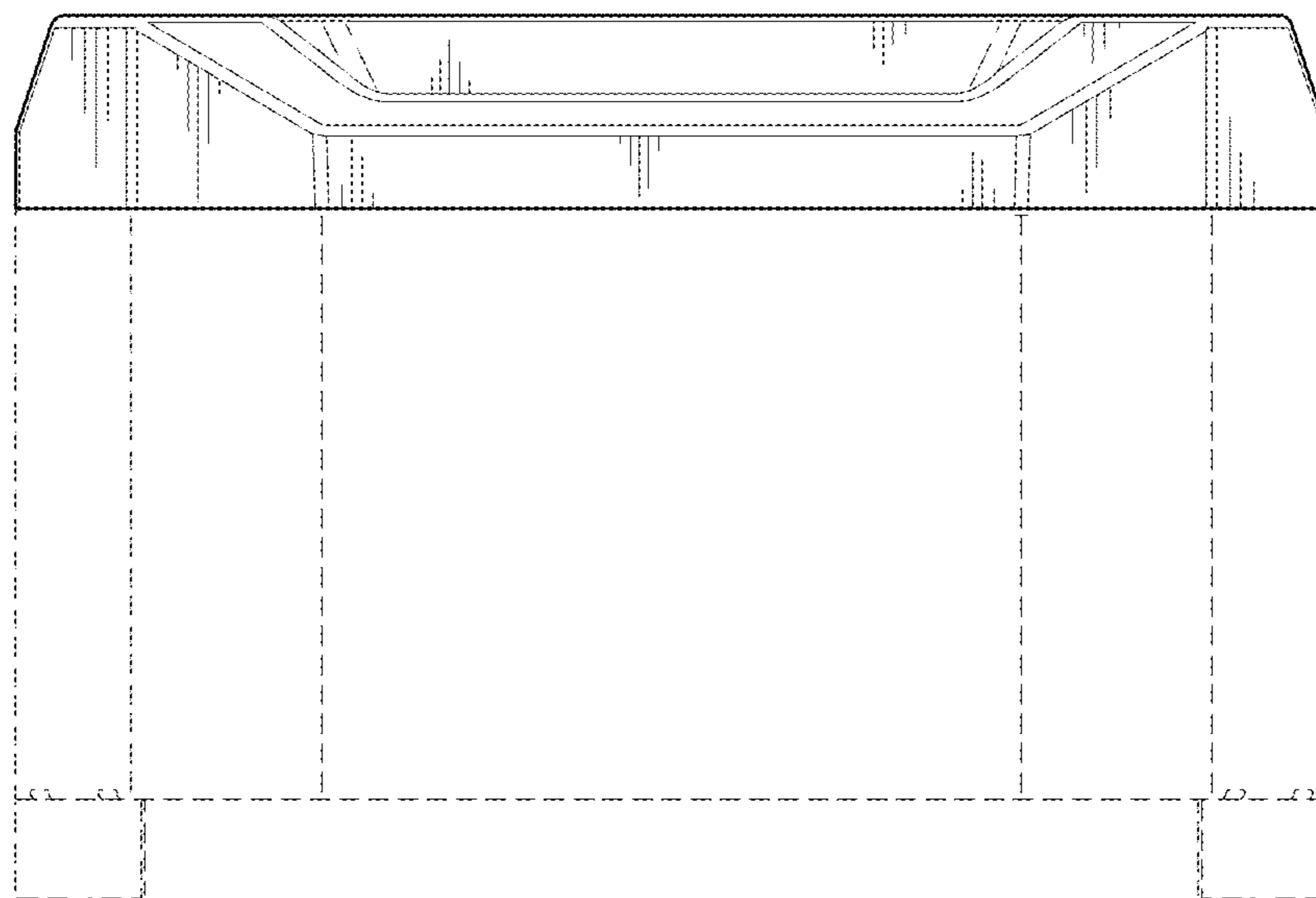
\* cited by examiner



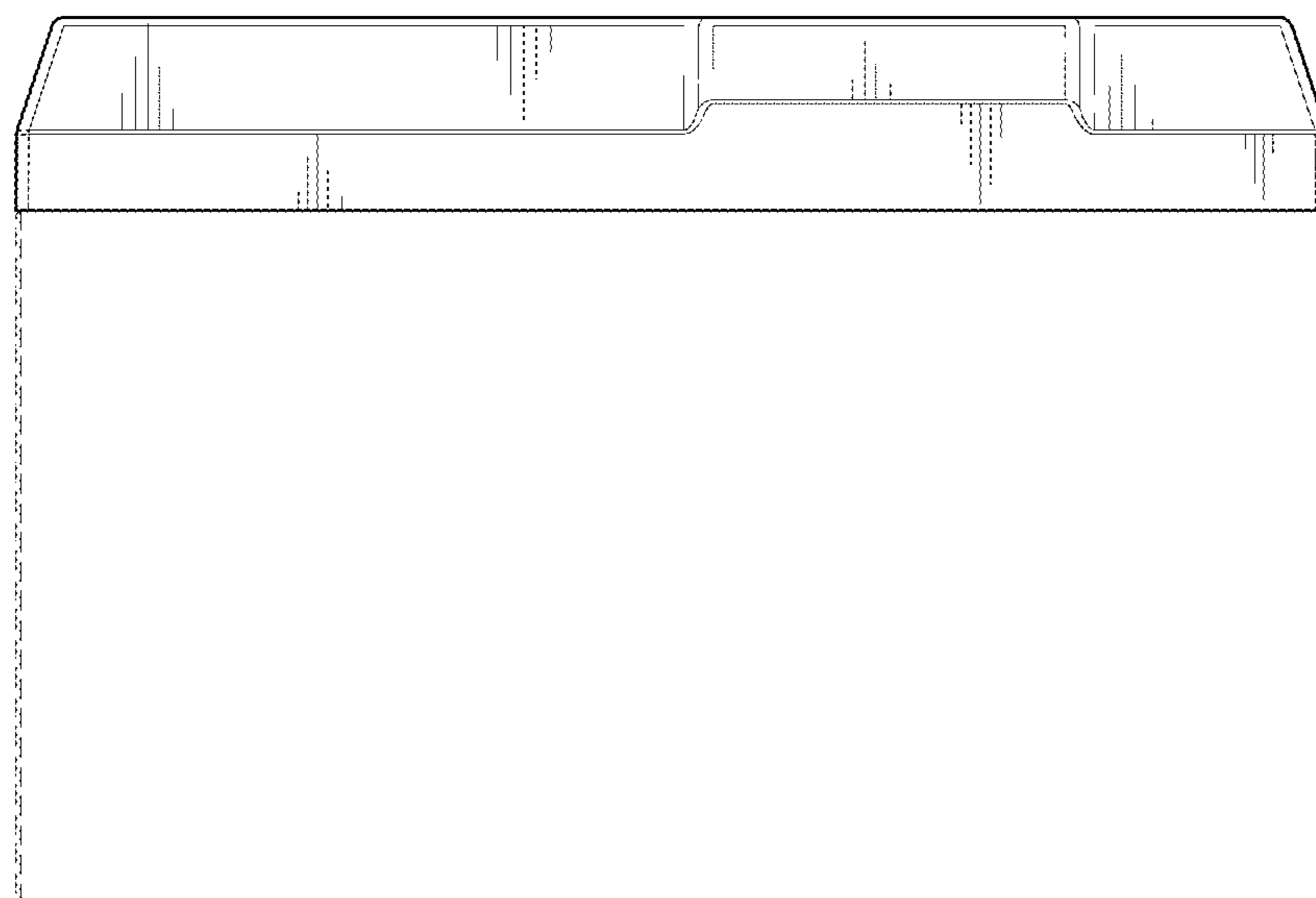
*Fig. 1*



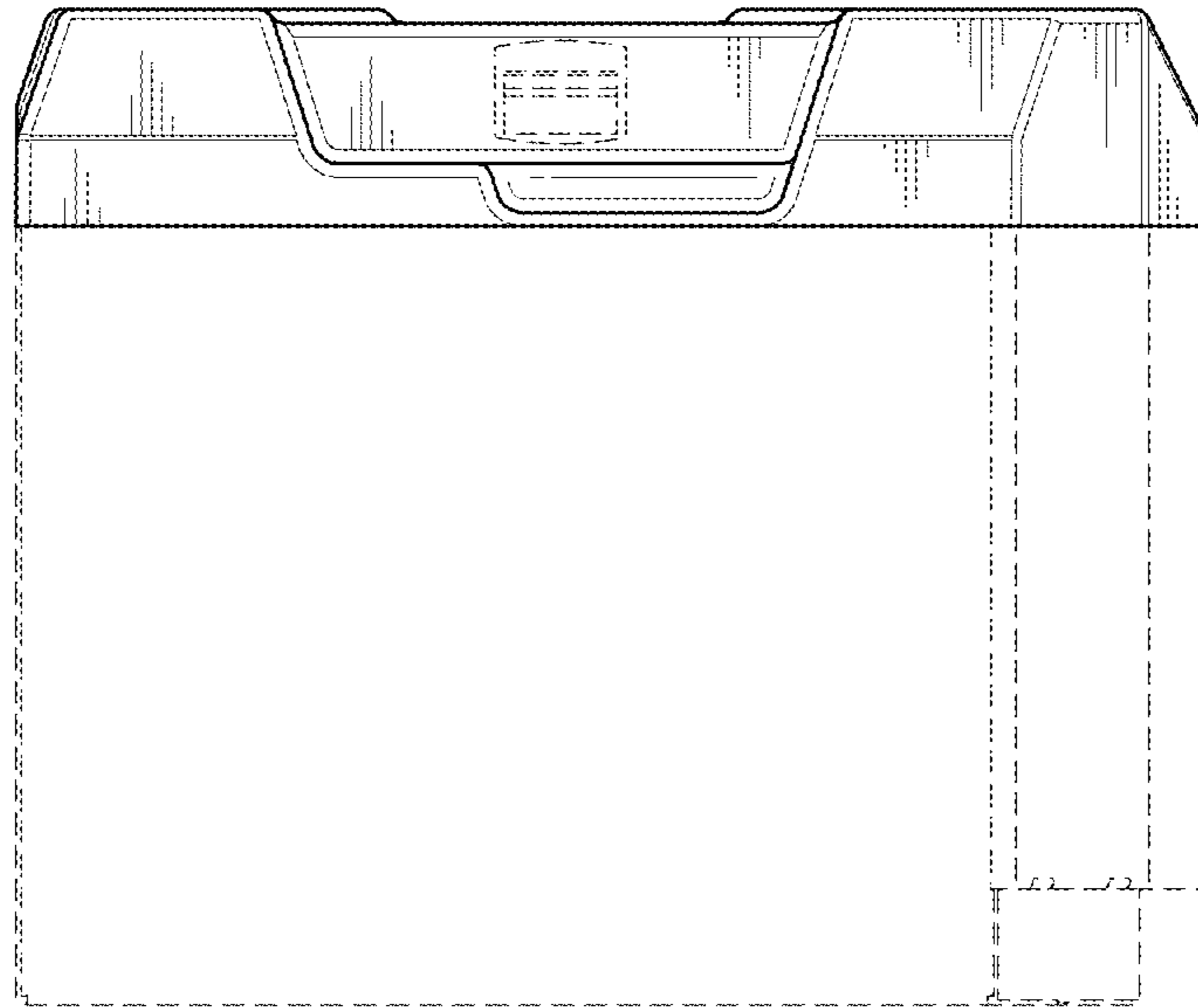
*Fig. 2*



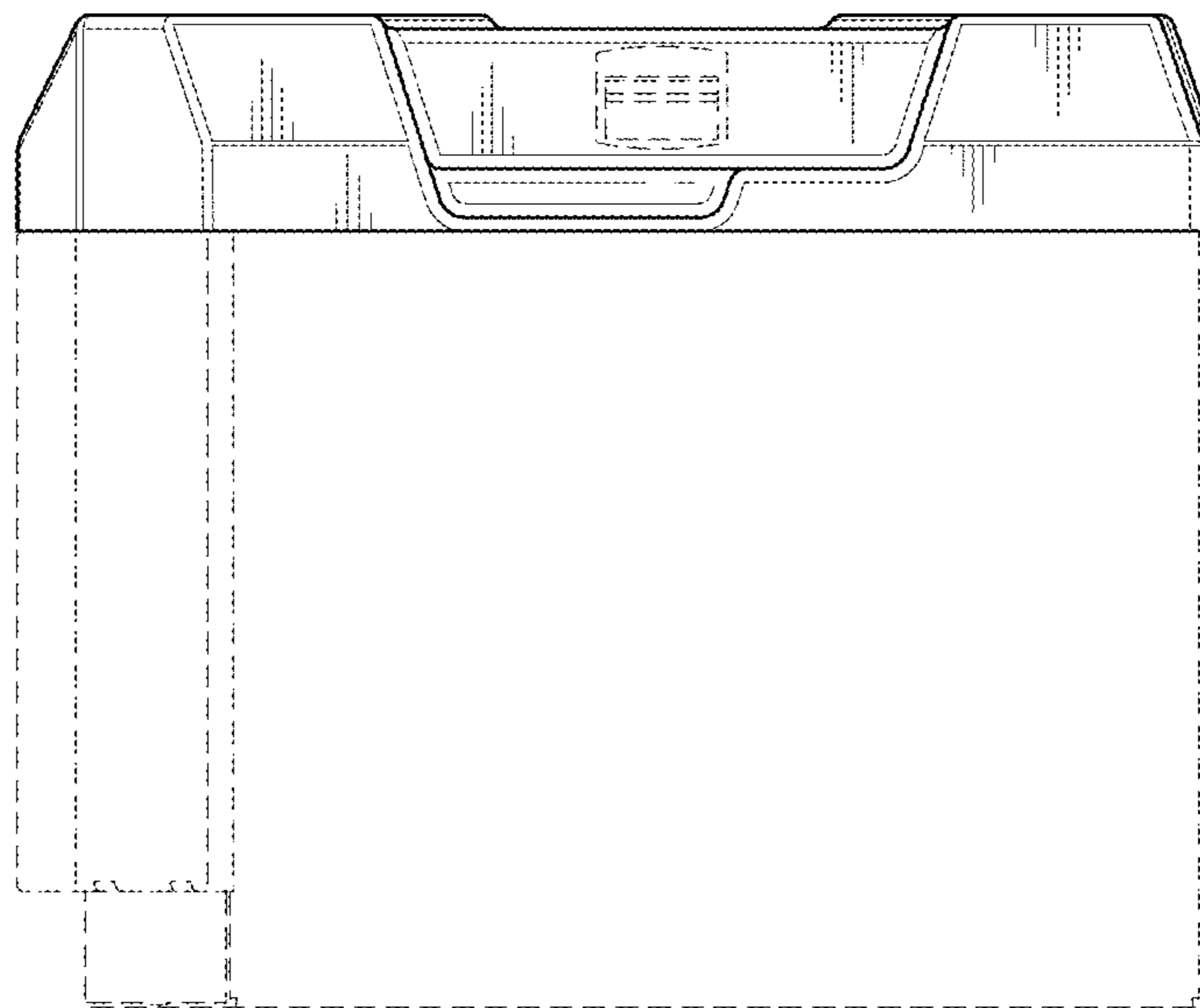
*Fig. 3*



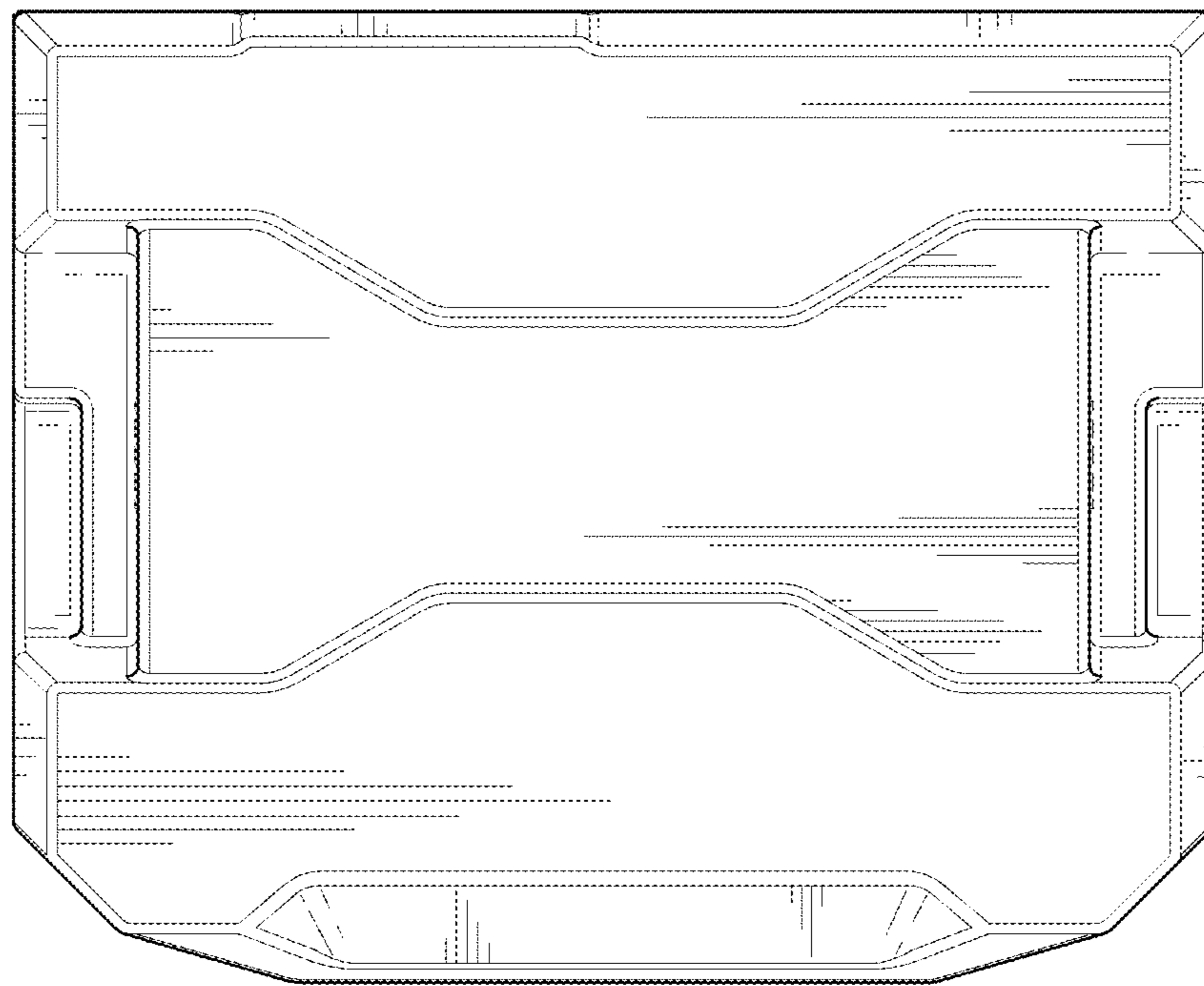
*Fig. 4*



*Fig. 5*



*Fig. 6*



*Fig. 7*