



US00D934919S

(12) **United States Design Patent** (10) **Patent No.:** **US D934,919 S**
Larsson et al. (45) **Date of Patent:** **** Nov. 2, 2021**

(54) **SHELL FOR A DIAPHRAGM PUMP AND MEMBRANE FOR A DIAPHRAGM PUMP**
(71) Applicant: **MEDELA HOLDING AG**, Baar (CH)
(72) Inventors: **Michael Larsson**, Zug (CH); **Brian Silver**, Woodstock, IL (US)
(73) Assignee: **MEDELA HOLDING AG**, Baar (CH)
(**) Term: **15 Years**
(21) Appl. No.: **29/689,567**
(22) Filed: **Apr. 30, 2019**

Related U.S. Application Data

(60) Division of application No. 29/573,907, filed on Aug. 10, 2016, now Pat. No. Des. 852,231, which is a continuation of application No. 14/183,929, filed on Feb. 19, 2014, now abandoned, and a continuation of application No. 13/090,929, filed on Apr. 20, 2011, now abandoned, which is a continuation of application No. 10/413,463, filed on Apr. 14, 2003, now Pat. No. 8,282,596, which is a continuation-in-part of application No. 09/475,681, filed on Dec. 30, 1999, now Pat. No. 6,547,756.

(51) **LOC (13) Cl.** **15-03**
(52) **U.S. Cl.**
USPC **D15/7**

(58) **Field of Classification Search**
USPC D15/7-9; D23/225, 231, 232
CPC F02M 37/04; F02M 37/14; F04B 53/92;
F04B 1/005; F04D 13/06; F04D 29/22;
F04D 29/046; F04D 29/2266
See application file for complete search history.

(56) **References Cited**

U.S. PATENT DOCUMENTS

D654,508 S * 2/2012 Foreman D15/7
D749,139 S * 2/2016 Chu D15/9

(Continued)

Primary Examiner — Khawaja Anwar
(74) *Attorney, Agent, or Firm* — Marshall, Gerstein & Borun LLP

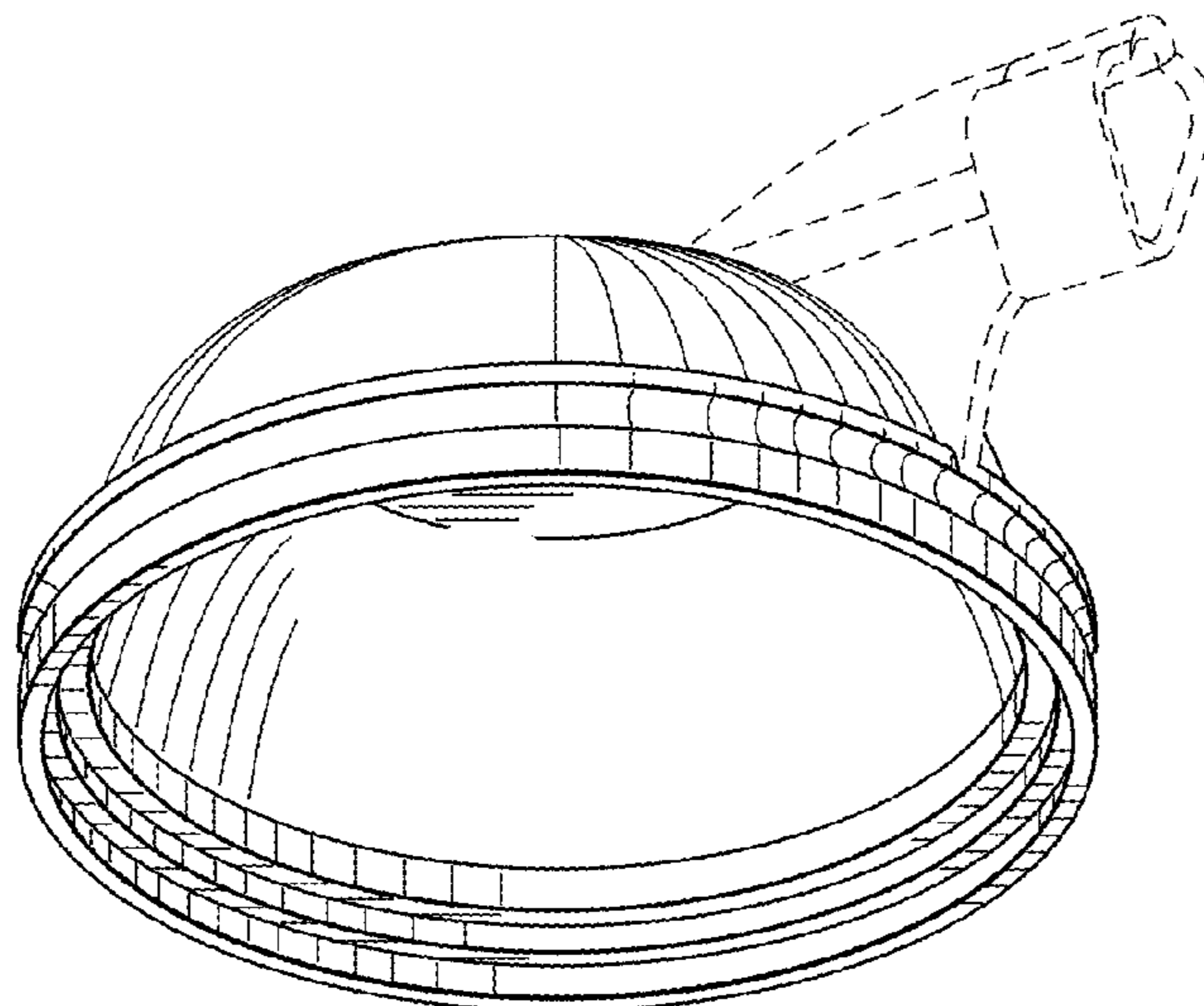
(57) **CLAIM**

The ornamental design for a shell for a diaphragm pump and membrane for a diaphragm pump, as shown and described.

DESCRIPTION

FIG. 1 is a front, right, and bottom perspective view of a shell for a diaphragm pump of a first embodiment of the present invention;
FIG. 2 is a front view of the invention illustrated in FIG. 1;
FIG. 3 is a right plan view of the invention illustrated in FIG. 1;
FIG. 4 is a top plan view of the invention illustrated in FIG. 1;
FIG. 5 is a left plan view of the invention illustrated in FIG. 1;
FIG. 6 is a rear view of the invention illustrated in FIG. 1;
FIG. 7 is a bottom view of the invention illustrated in FIG. 1;
FIG. 8 is a front and bottom perspective view of a membrane for a diaphragm pump of a second embodiment of the present invention;
FIG. 9 is a front view of the invention illustrated in FIG. 8, with right plan, left plan, and rear views being identical thereto;
FIG. 10 is a top plan view of the invention illustrated in FIG. 8; and,
FIG. 11 is a bottom view of the invention illustrated in FIG. 8.
The broken lines in FIGS. 1-7 of the drawings depict portions of the shell for a diaphragm pump and form no part of the claimed design.

1 Claim, 3 Drawing Sheets



(56)

References Cited

U.S. PATENT DOCUMENTS

D840,437 S	*	2/2019	Blaser	D15/7
D841,696 S	*	2/2019	Blaser	D15/7
D842,904 S	*	3/2019	Geldenhuis	D15/7
D852,231 S	*	6/2019	Larsson	D15/7
D915,197 S	*	4/2021	Katano	D9/448
D928,284 S	*	8/2021	Chin	D23/213
D928,285 S	*	8/2021	Chin	D23/213

* cited by examiner

FIG. 4

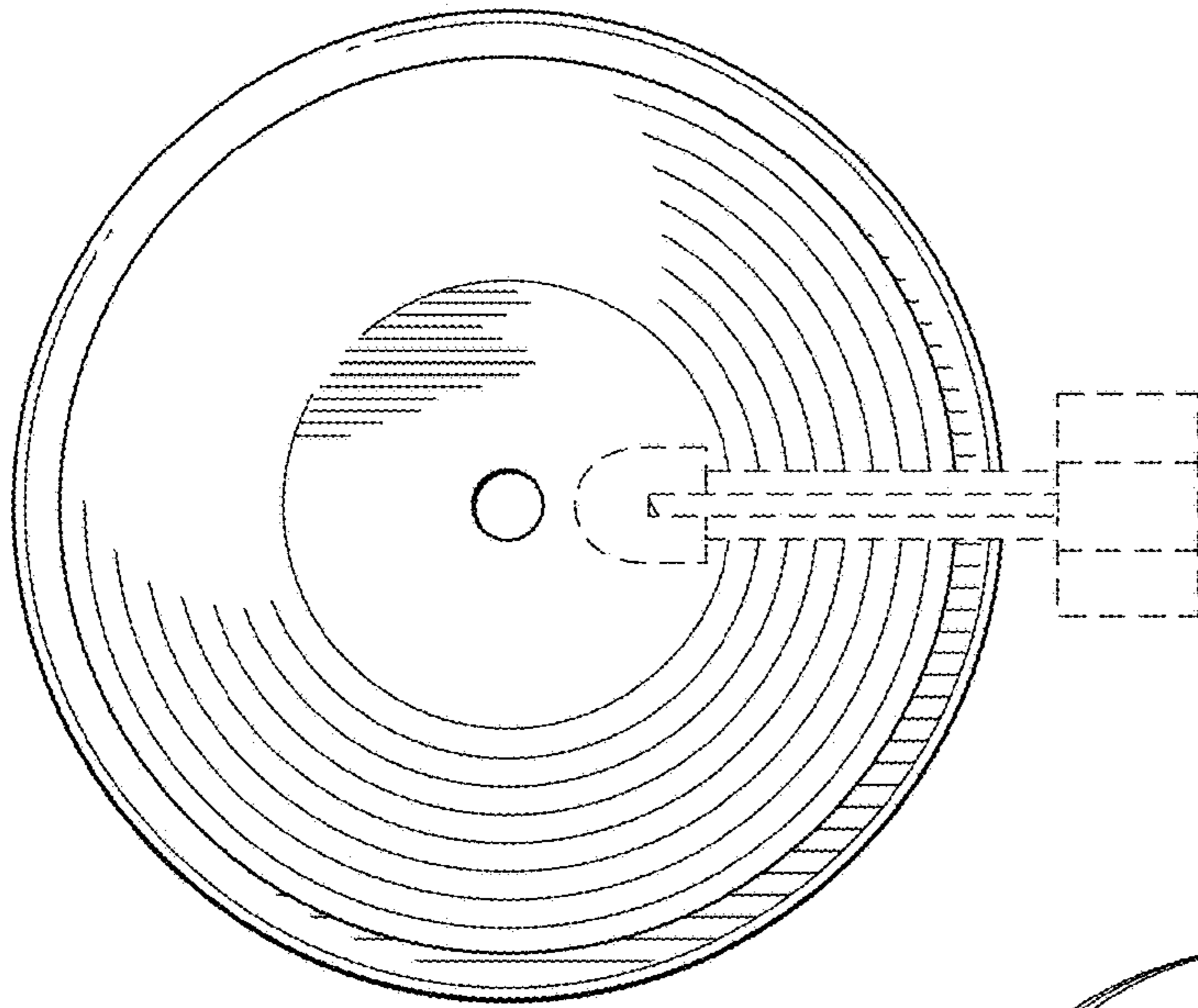


FIG. 1

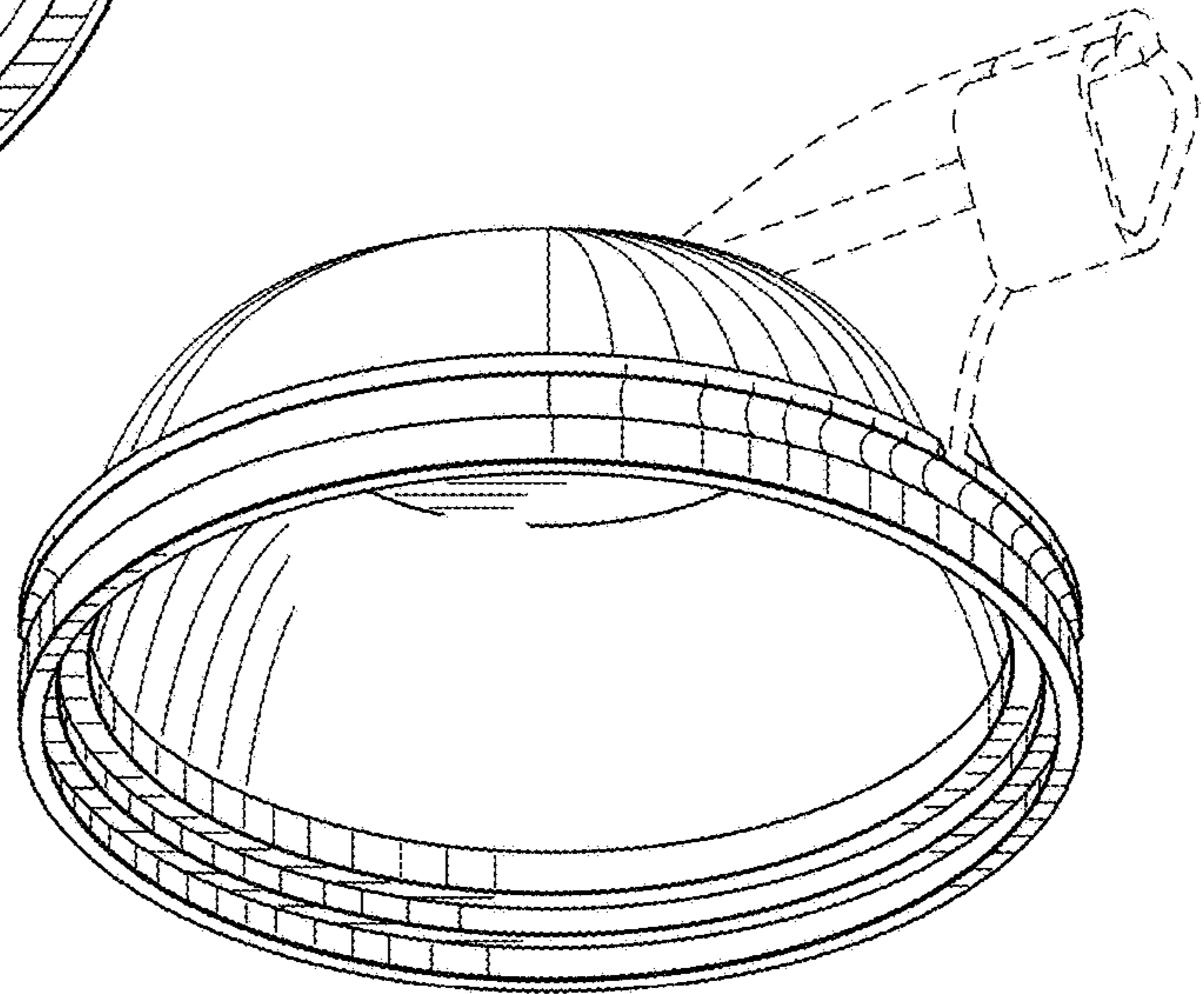


FIG. 3

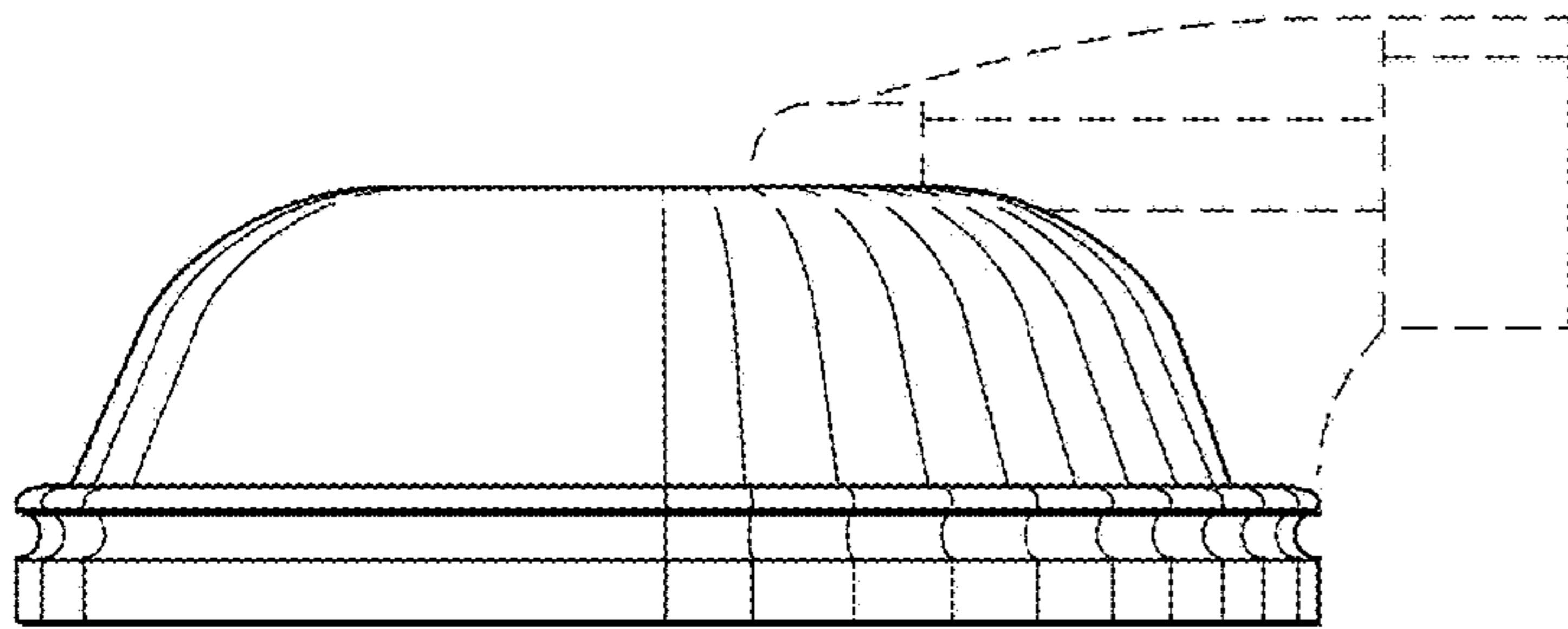


FIG. 2

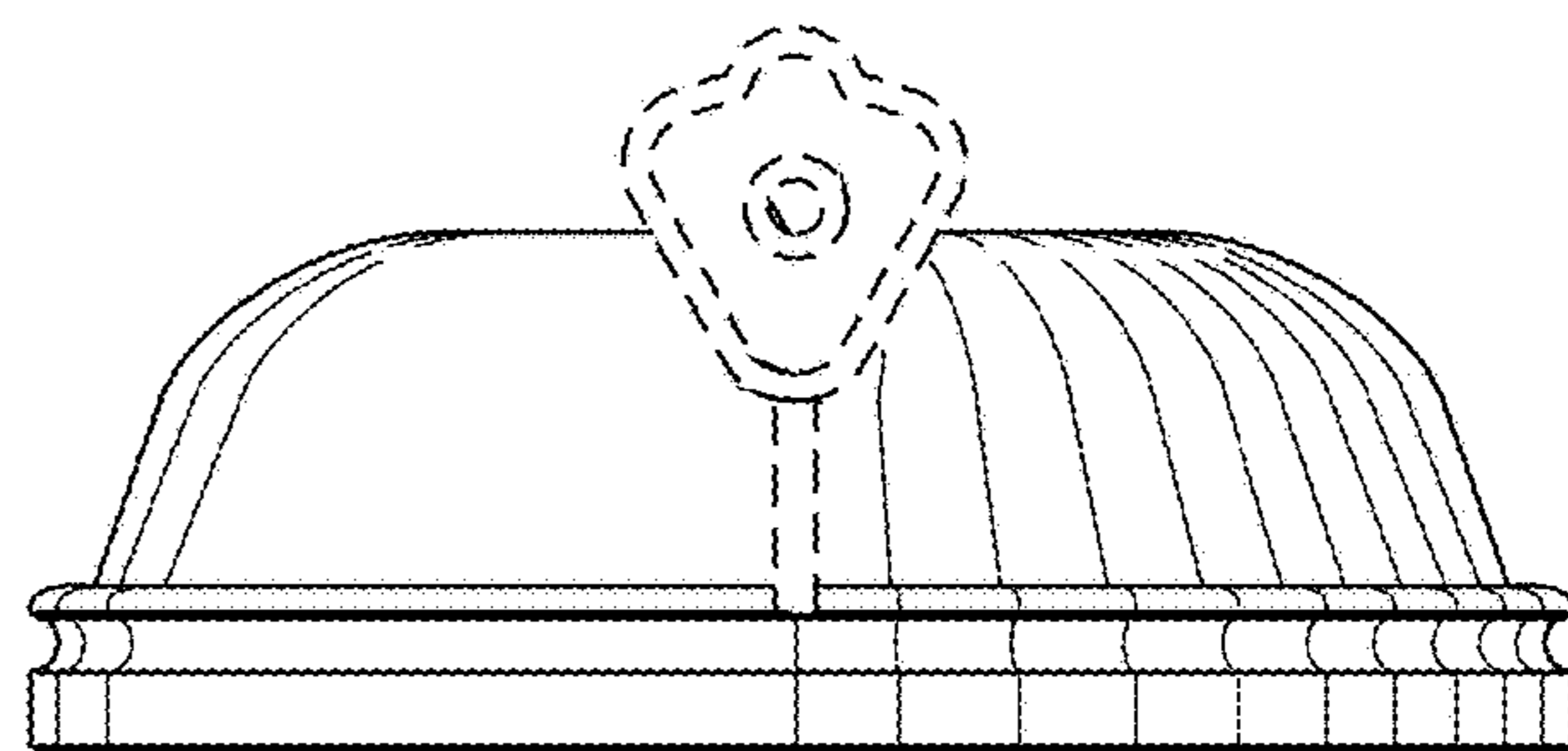


FIG. 5

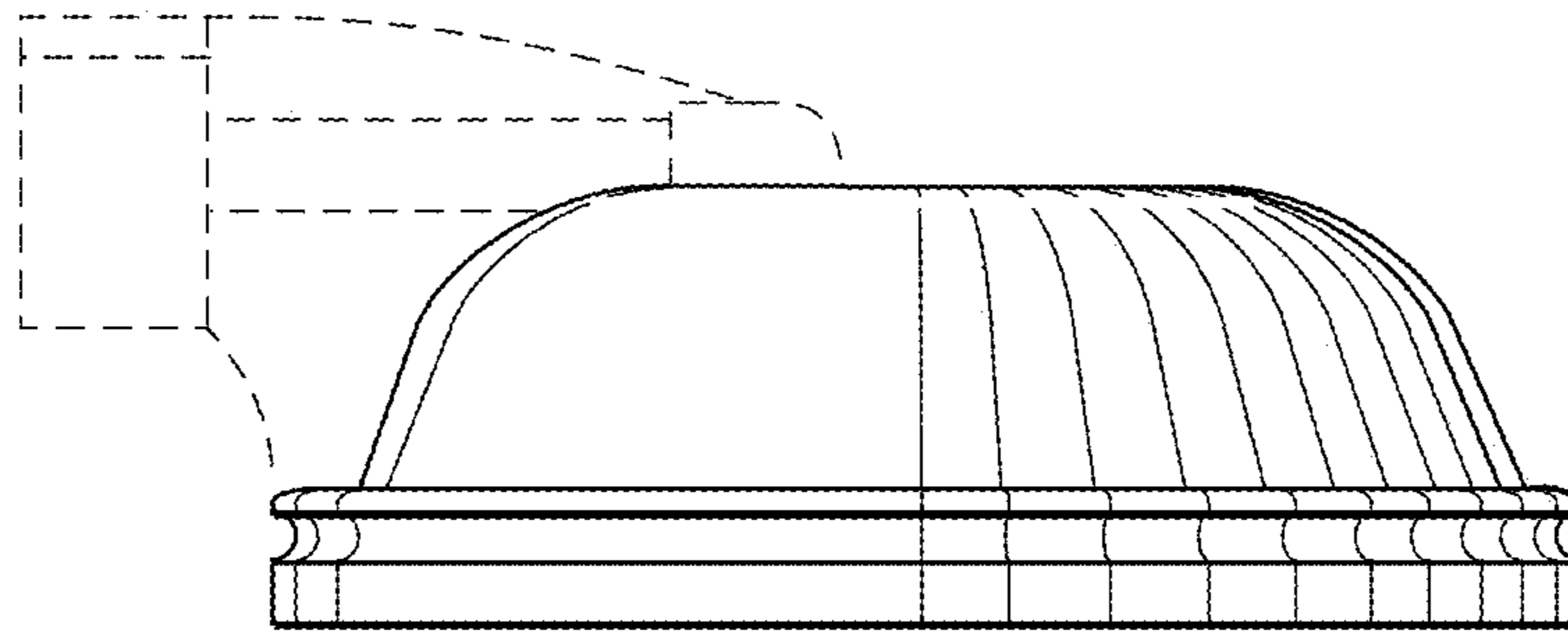


FIG. 6

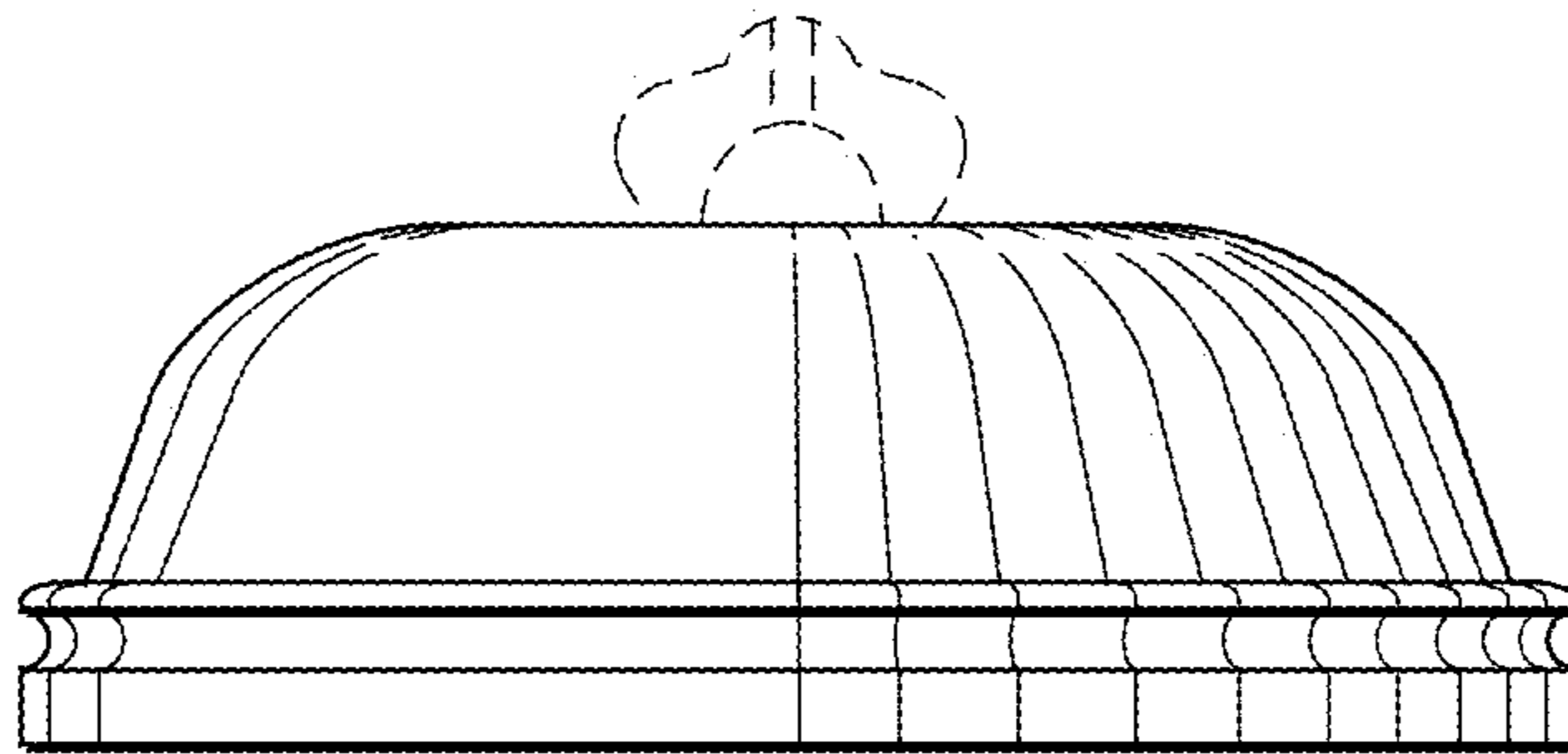


FIG. 7

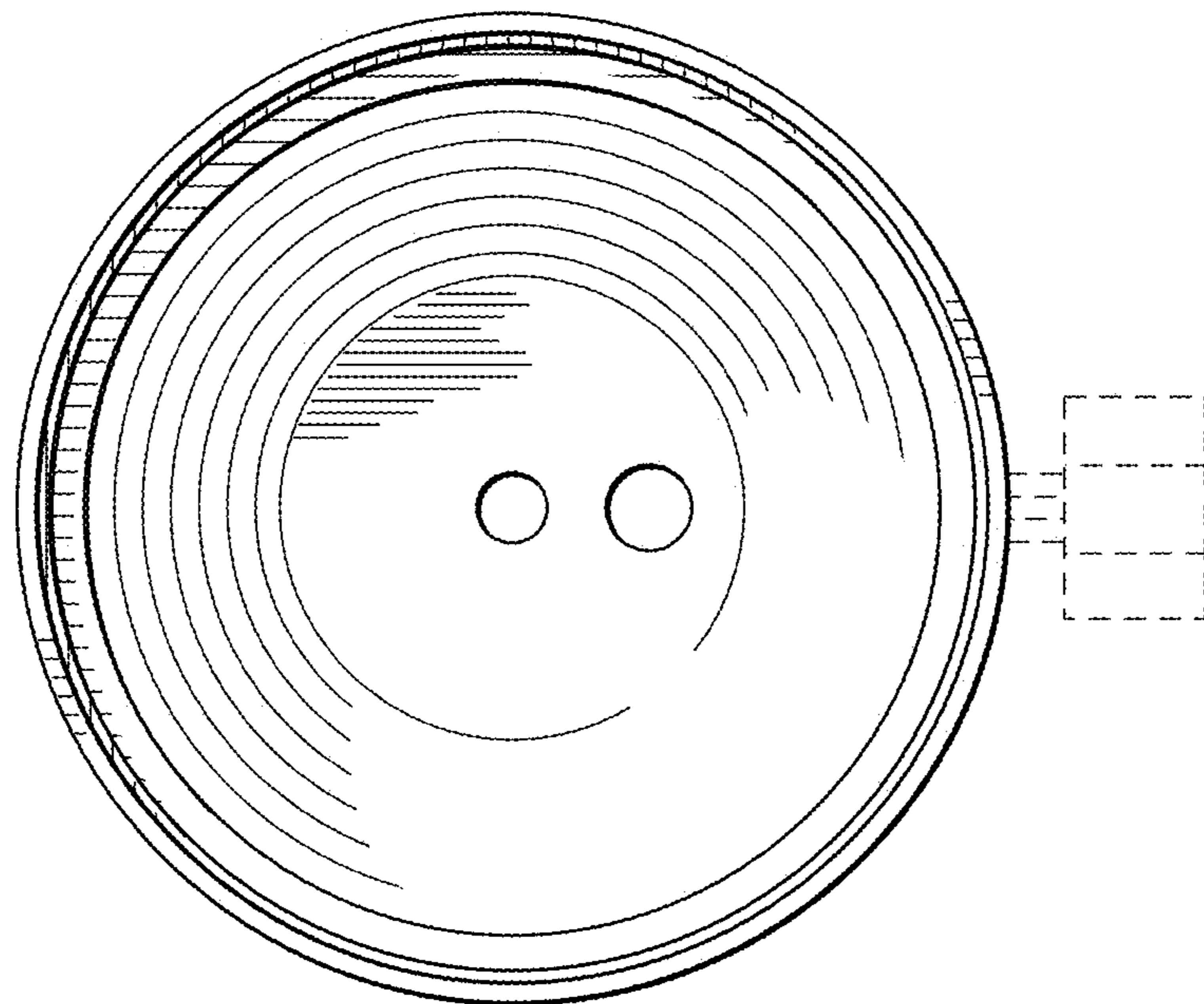


FIG. 8

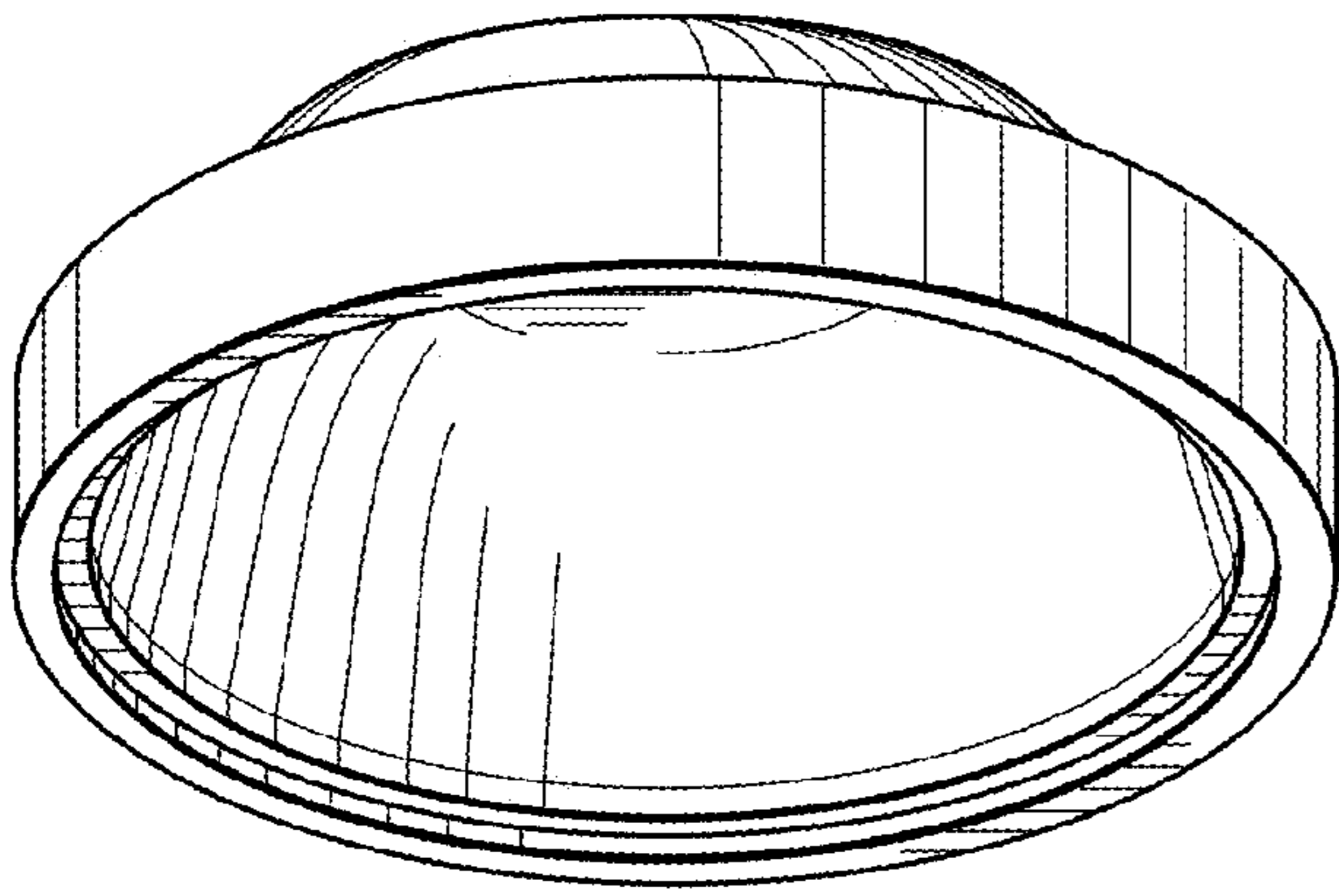


FIG. 9

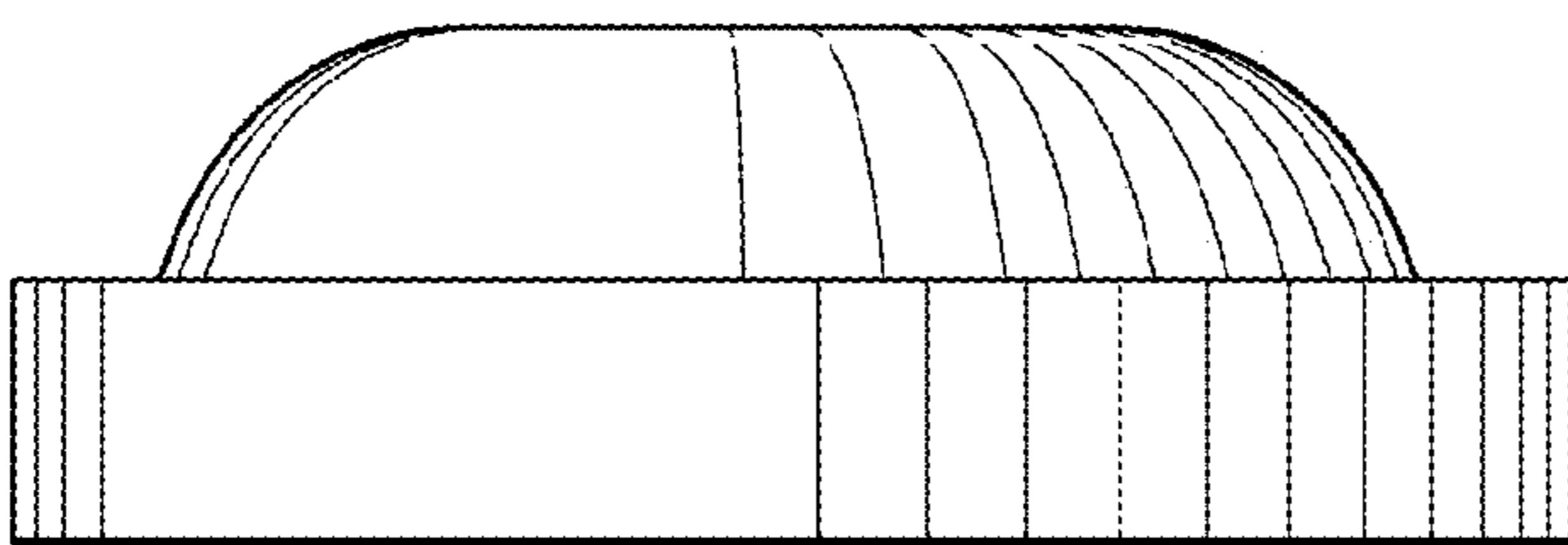


FIG. 10

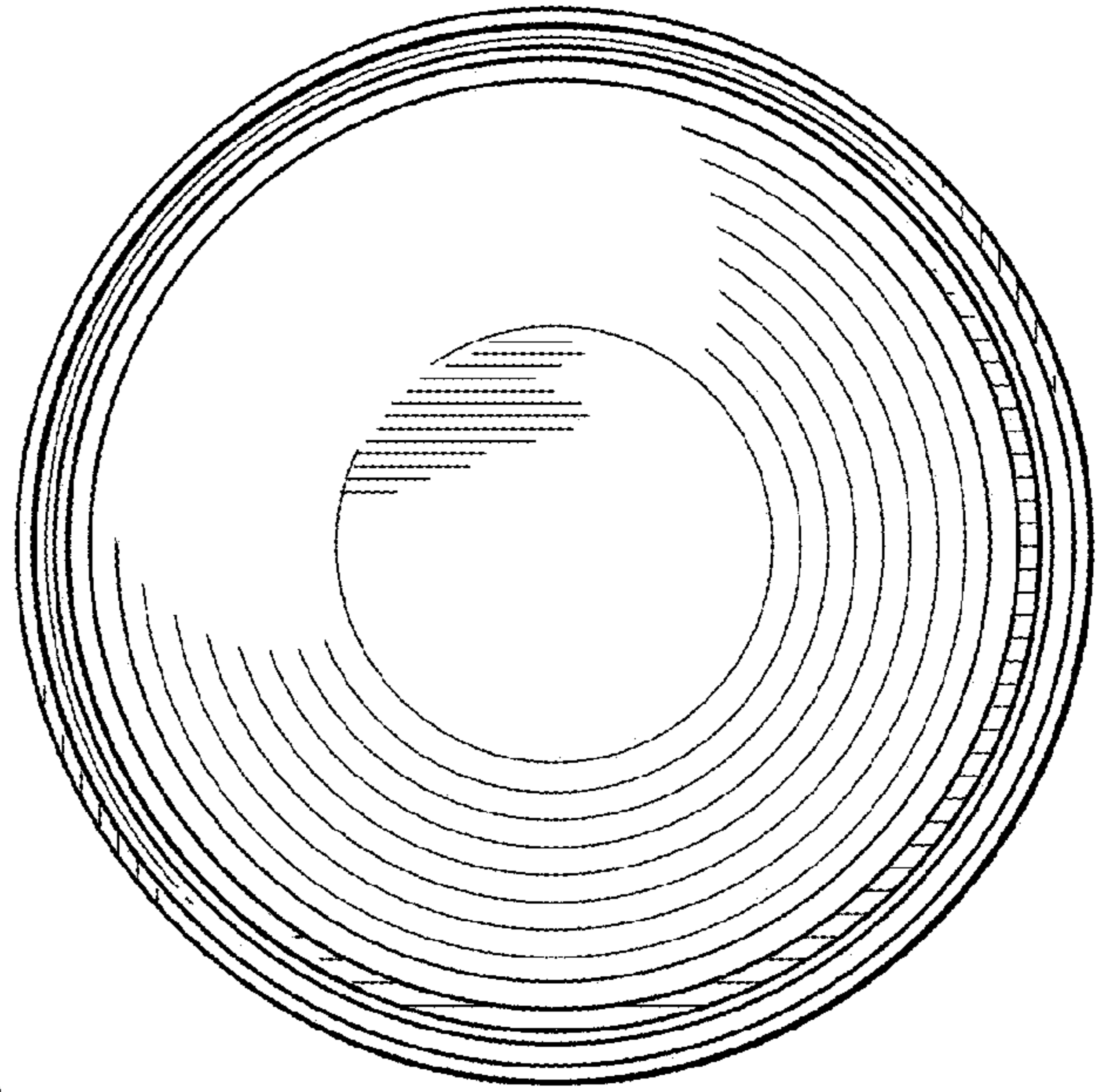


FIG. 11

