



US00D934918S

(12) **United States Design Patent** (10) **Patent No.:** **US D934,918 S**
Larsen et al. (45) **Date of Patent:** **** Nov. 2, 2021**

- (54) **PUMP UNIT**
- (71) Applicant: **Graco Minnesota Inc.**, Minneapolis, MN (US)
- (72) Inventors: **David M. Larsen**, Albertville, MN (US); **Max Carideo**, Plymouth, MN (US)
- (73) Assignee: **Graco Minnesota Inc.**, Minneapolis, MN (US)
- (**) Term: **15 Years**
- (21) Appl. No.: **29/682,870**
- (22) Filed: **Mar. 8, 2019**
- (51) **LOC (13) Cl.** **15-02**
- (52) **U.S. Cl.**
USPC **D15/7**
- (58) **Field of Classification Search**
USPC D23/210, 225, 231, 232; D15/7-9; D34/14, 17, 20, 23, 26; D13/103, 107
CPC F04B 41/00; F04B 41/02; F04B 41/04; F04B 41/06; F04B 35/00; F04B 35/06; F04B 35/002; F04B 35/86; F04B 49/00; F04B 17/03; F04B 17/06; F04B 33/005; F04B 33/00; F04B 33/02; F04B 25/005
See application file for complete search history.

- D490,200 S * 5/2004 Arceta D34/17
6,752,067 B1 6/2004 Davidson et al.
D570,069 S 5/2008 Leonard
D572,795 S 7/2008 Kieffer
D576,703 S 9/2008 Nathan et al.
D580,516 S 11/2008 Mattson et al.
D580,517 S 11/2008 Mattson et al.
D580,518 S 11/2008 Johnson et al.
D608,414 S 1/2010 Legatt et al.
D616,064 S 5/2010 Mattson et al.
D616,065 S 5/2010 Gundersen et al.
D622,471 S * 8/2010 Hernandez D34/12
D652,190 S * 1/2012 Slaton D34/17
D657,393 S * 4/2012 Pauwels D15/9
8,303,262 B1 * 11/2012 Hawkins F04B 17/06
417/234
8,651,397 B2 2/2014 Gaddis et al.
9,291,363 B1 * 3/2016 Cassell F24H 3/0488
D769,414 S 10/2016 Roden et al.
D771,714 S * 11/2016 Hines D15/7
D787,770 S * 5/2017 Thuma D34/17
9,695,557 B2 * 7/2017 Lins E01C 23/22

(Continued)

Primary Examiner — Calvin E Vansant
Assistant Examiner — Mark T. Philipps
(74) *Attorney, Agent, or Firm* — Kinney & Lange, P. A.

(57) **CLAIM**

The ornamental design for a pump unit, as shown and described.

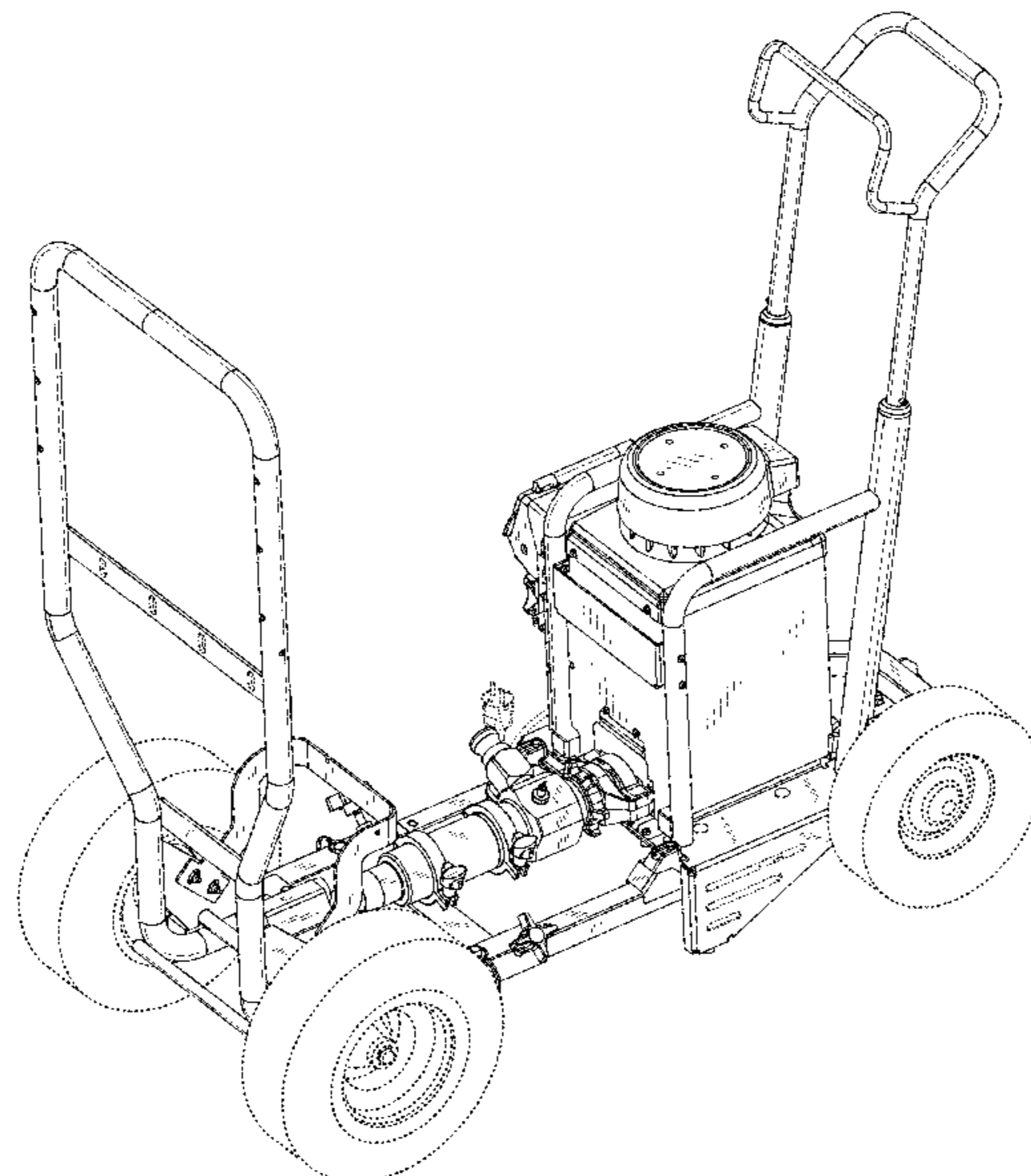
DESCRIPTION

FIG. 1 is a perspective view of a pump unit;
FIG. 2 is a right side view of the pump unit;
FIG. 3 is a left side view of the pump unit;
FIG. 4 is a top plan view of the pump unit;
FIG. 5 is a front elevational view of the pump unit; and,
FIG. 6 is a rear elevational view of the pump unit.
The broken lines in the Figures are for environmental purposes only and form no part of the claimed design.

1 Claim, 6 Drawing Sheets

(56) **References Cited**
U.S. PATENT DOCUMENTS

D284,210 S	6/1986	Ratray et al.	
5,213,480 A	5/1993	Yedinak et al.	
5,217,238 A	6/1993	Cyphers et al.	
D340,335 S *	10/1993	Kean	D34/17
D344,832 S	3/1994	Cyphers et al.	
D420,473 S	2/2000	Shero	
D424,771 S *	5/2000	Sivells	D34/14
D427,283 S	6/2000	Bower et al.	
D429,314 S	8/2000	Bower et al.	



(56)

References Cited

U.S. PATENT DOCUMENTS

D794,162 S 8/2017 Johnston et al.
D794,754 S 8/2017 Johnston et al.
9,764,343 B2* 9/2017 Schroeder B05B 1/3026
D849,190 S 5/2019 Boucher et al.
D850,581 S 6/2019 Mazur
D851,211 S 6/2019 Pellin et al.
10,358,781 B2* 7/2019 Kuczenski B60B 33/02
D876,485 S* 2/2020 Pauly D15/9
10,634,132 B2 4/2020 Carideo et al.
D904,566 S* 12/2020 Larsen D23/225
2005/0196290 A1* 9/2005 Hu F04B 35/06
417/234
2006/0038034 A1* 2/2006 Hillary B05B 9/0855
239/146
2009/0226333 A1* 9/2009 Hsiao F04B 35/06
417/234
2010/0006668 A1* 1/2010 Alexander B08B 3/026
239/129
2021/0078049 A1* 3/2021 Nushart B08B 3/08

* cited by examiner

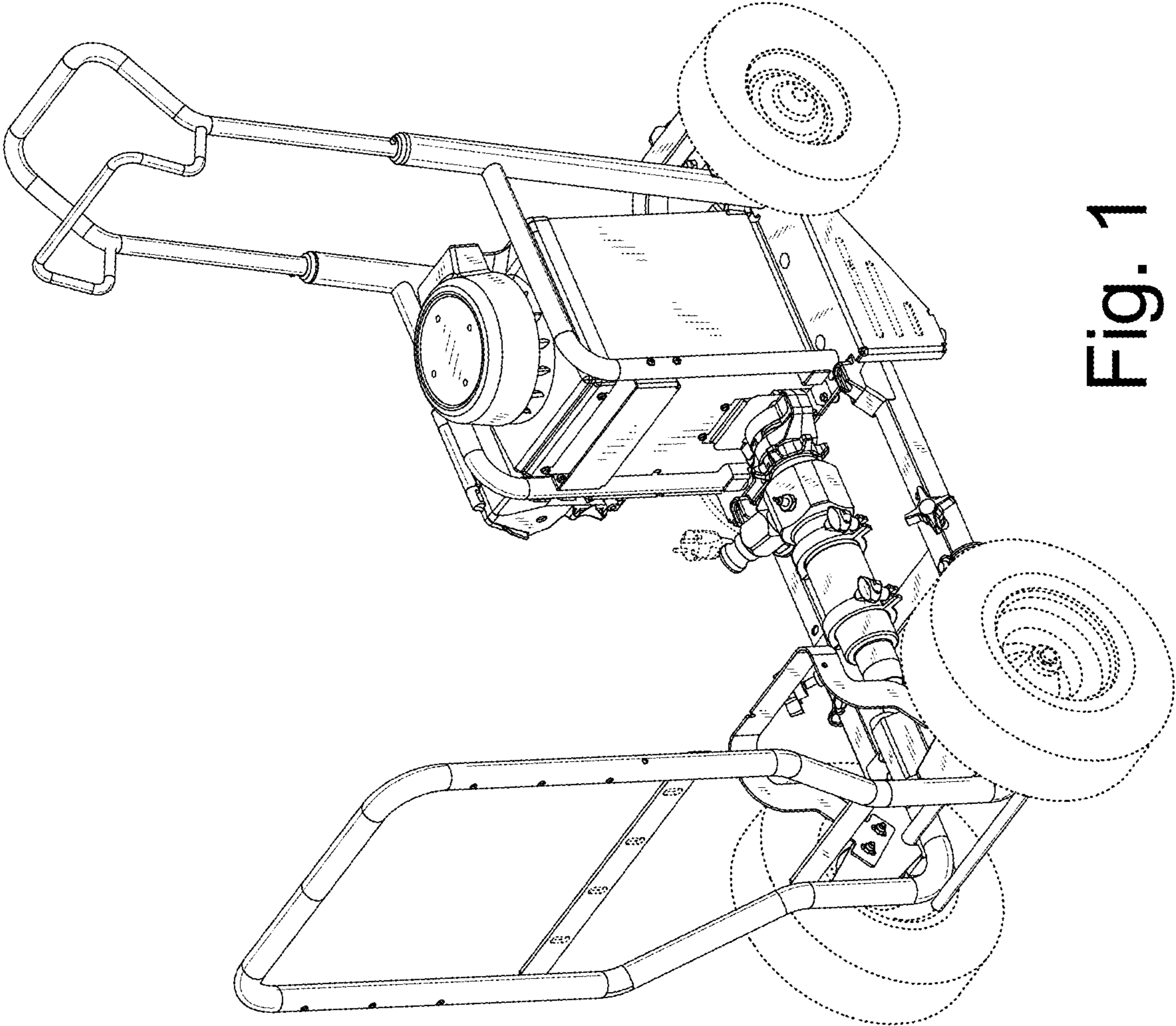


Fig. 1

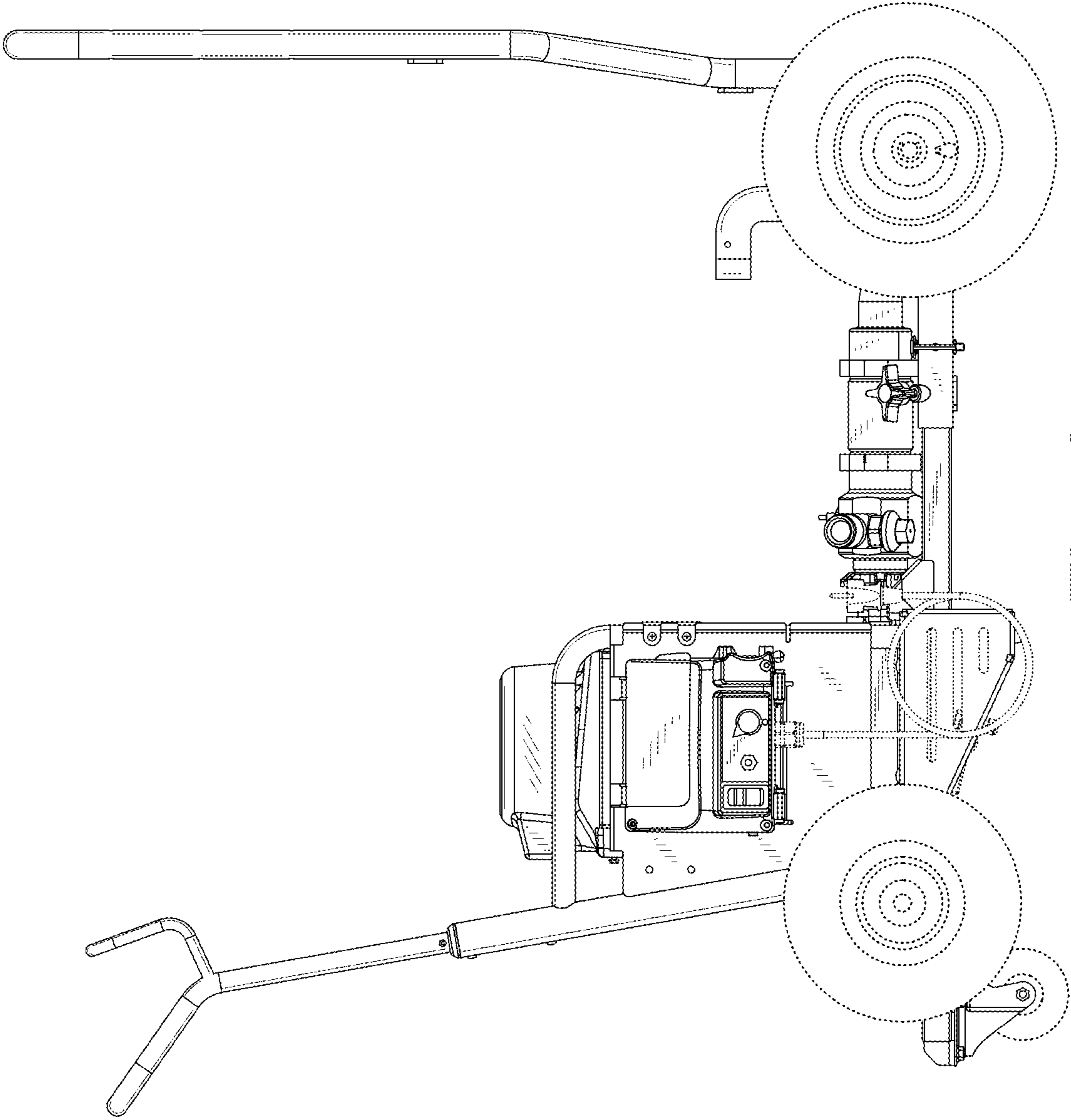


Fig. 2

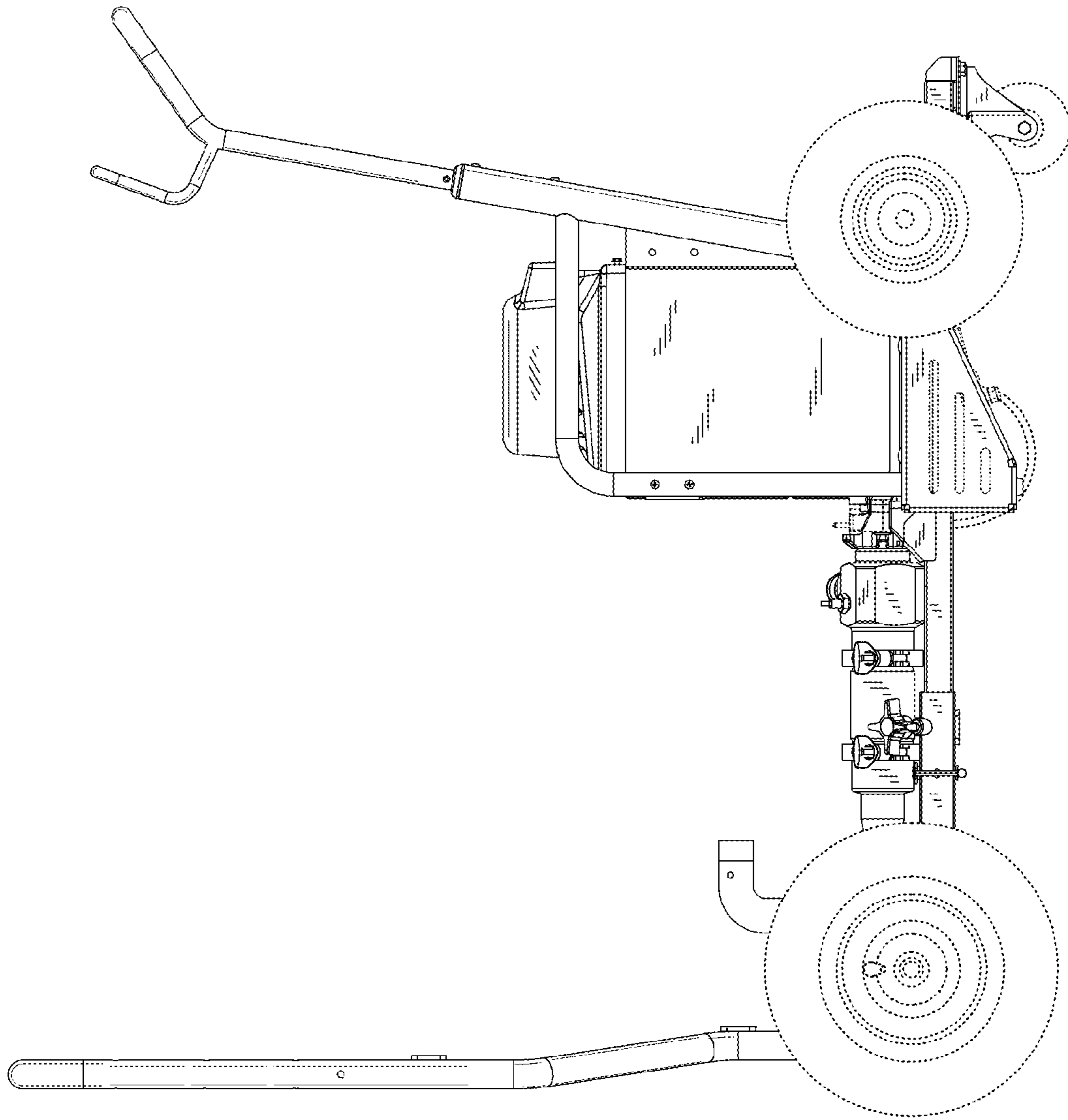


Fig. 3

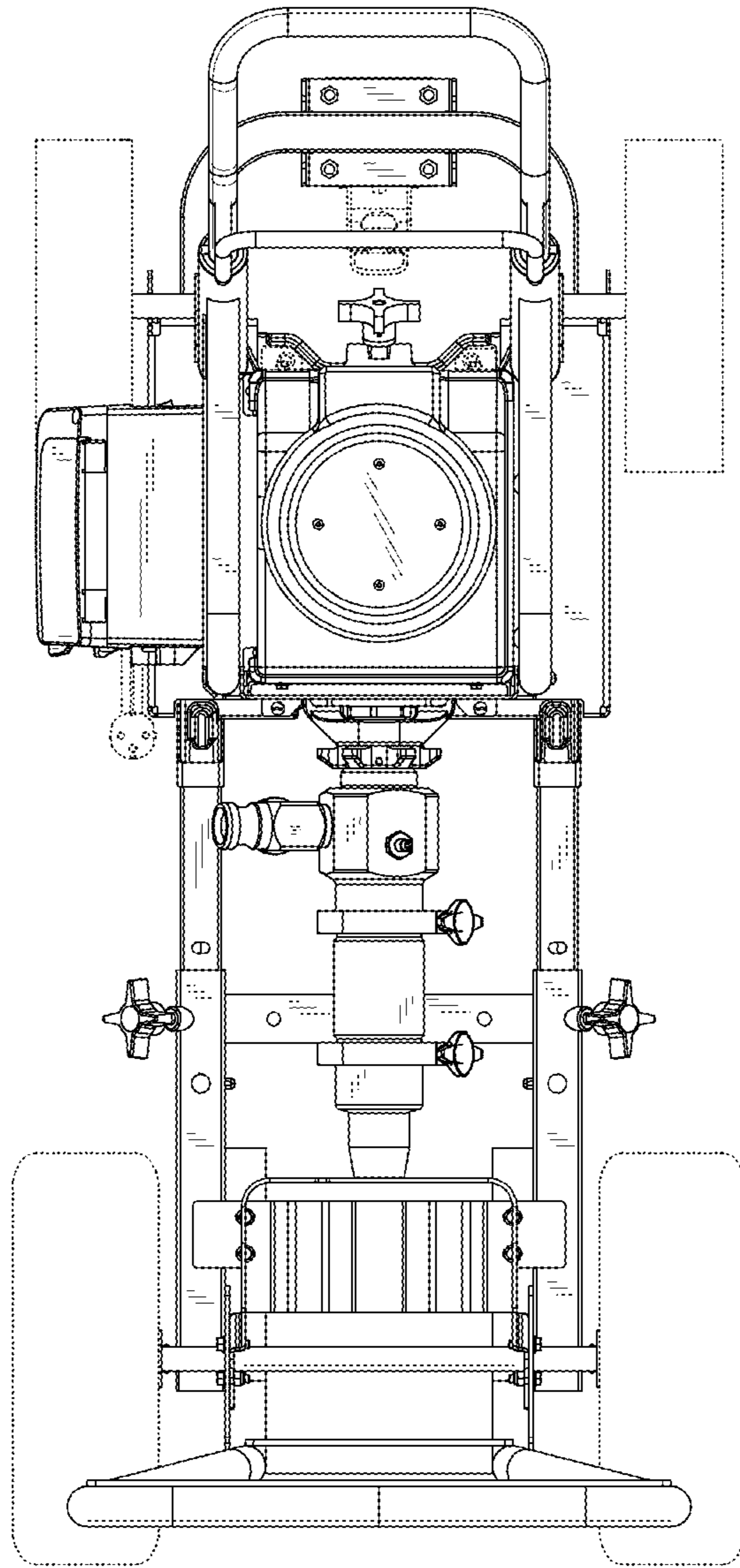


Fig. 4

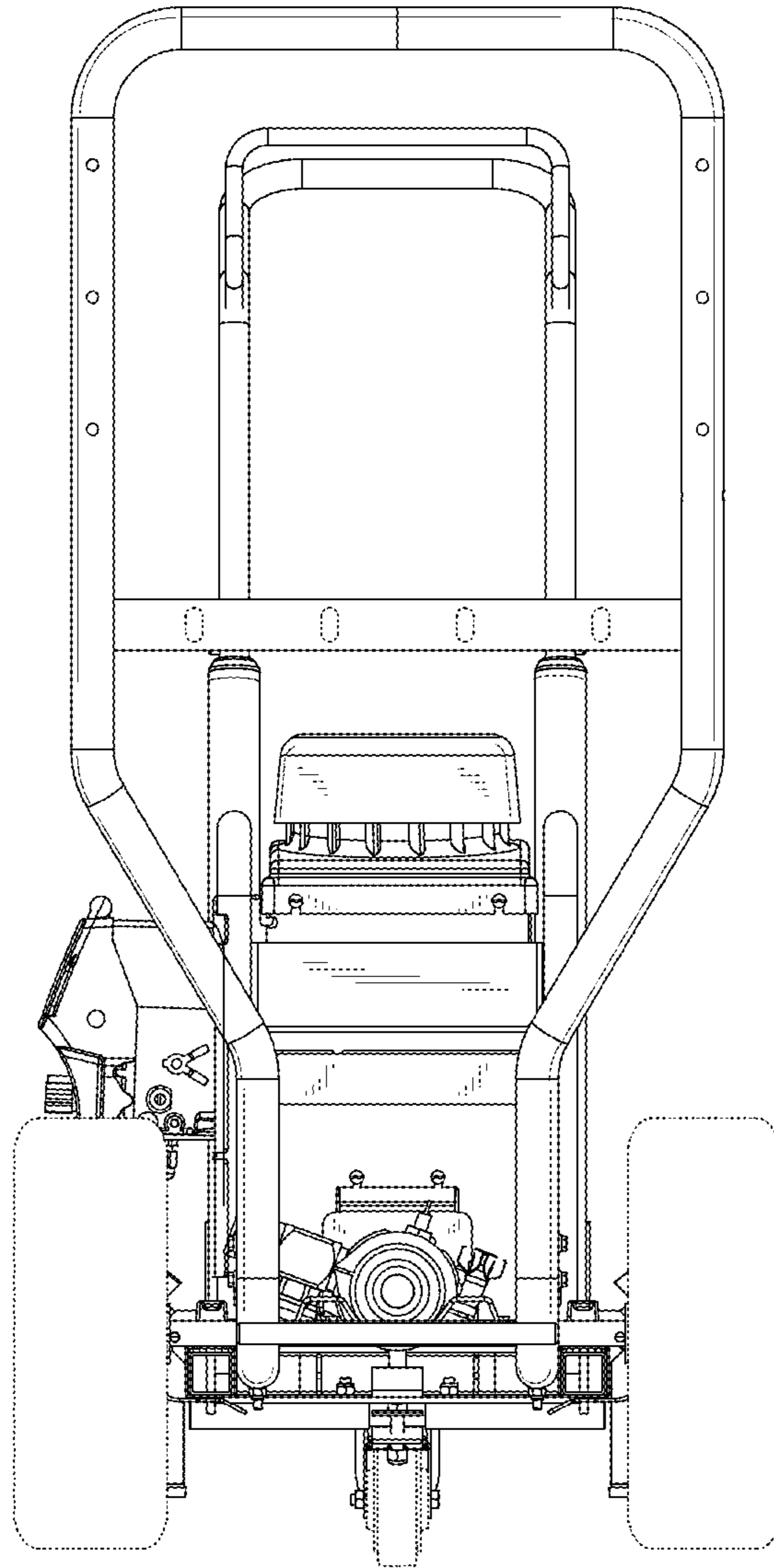


Fig. 5

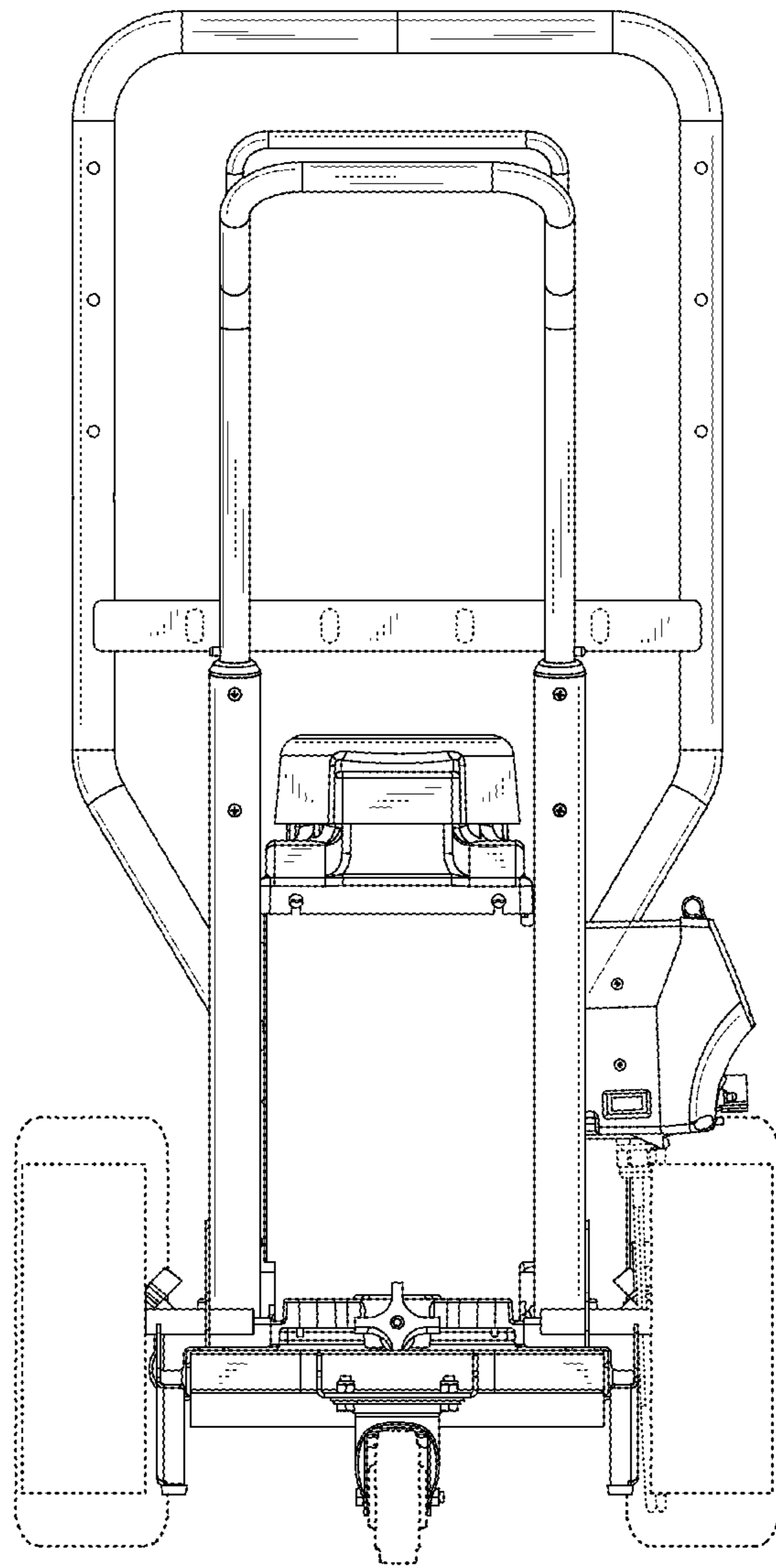


Fig. 6